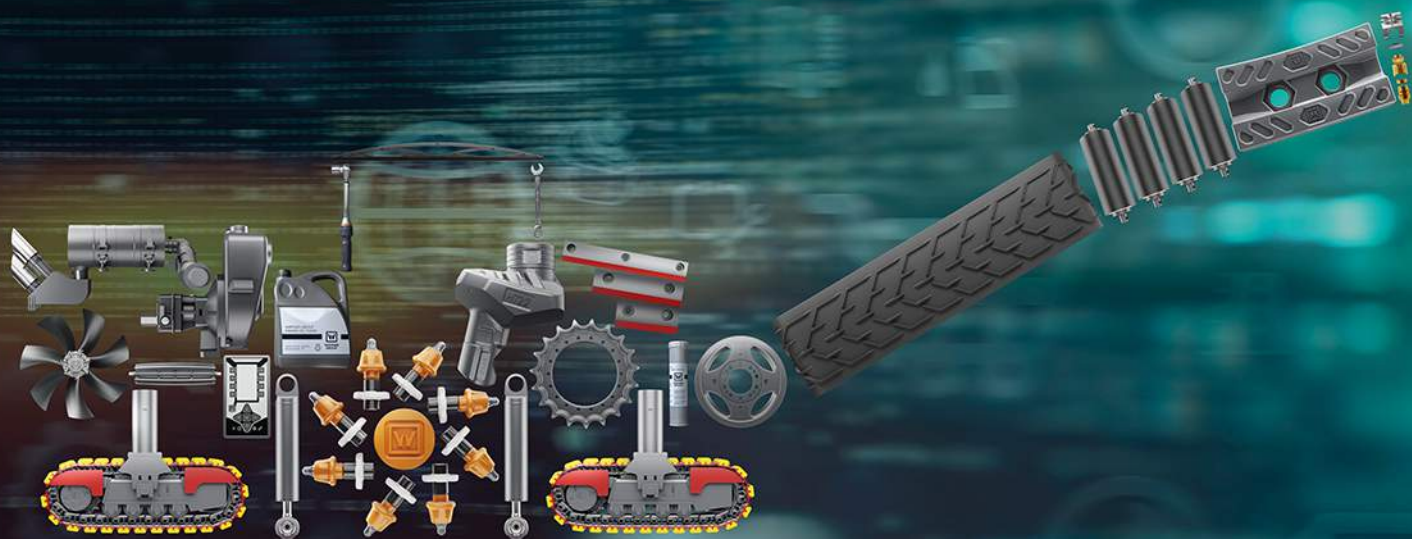




# PARTS CATALOGUE

01/2024



CLOSE TO OUR CUSTOMERS



	<b>CUTTING TOOLS</b>	<b>8</b>		<b>MILLING DRUM HOUSINGS</b>	<b>224</b>
	Alternative cutting tools .....	9		Scraper .....	224
	Round-shank picks for recyclers/soil stabilisers .....	11		Wear protection segments .....	230
	Round-shank picks for road milling machines ..	16		<b>MILLING DRUM DRIVE</b>	<b>241</b>
	<b>MILLING DRUM</b>	<b>29</b>		Power belts .....	241
	Milling drum .....	30		Belt pulleys .....	245
	<b>UNDERCARRIAGE CRAWLER DRIVE</b>	<b>61</b>		<b>TELEMATICS</b>	<b>256</b>
	Drive sprockets .....	61		WITOS FleetView .....	256
	Track pads .....	65		<b>EMERGENCY KITS</b>	<b>261</b>
	Crawler unit chains .....	82		Emergency kits .....	261
	Chain runner .....	90		Service case .....	264
	Track rollers .....	93		<b>TOOLS</b>	<b>270</b>
	Idlers .....	96		Service case .....	270
	Tensioner units .....	99		Tools for road milling machines .....	271
	Service packages for track pads .....	104		Tools for changing round-shank picks .....	271
	<b>UNDERCARRIAGE WHEEL DRIVE</b>	<b>115</b>		Tools for maintenance and assembly .....	272
	Tyres .....	115			
	Pneumatic tyres .....	119			
	Wheels .....	119			
	Tubes .....	124			
	Solid tyre .....	124			
	<b>CONVEYOR UNIT</b>	<b>126</b>			
	Drive rollers .....	126			
	Conveyor belts .....	131			
	Guide rollers .....	139			
	Idler rollers .....	145			
	Return rollers .....	160			
	Return rollers .....	165			
	<b>MAINTENANCE PARTS</b>	<b>177</b>			
	Filter packages .....	177			
	Maintenance packages .....	200			
	Lubricants .....	215			
	<b>MILLING DRUM ACCESSORIES</b>	<b>220</b>			
	Ejectors .....	220			
	Toolholder .....	221			



## VÖGELE



 <b>SCREED</b>	<b>274</b>	 <b>MAINTENANCE PARTS</b>	<b>554</b>
Rubber cover panel .....	274	Filter packages.....	554
Telescoping tubes .....	277	Lubricants .....	566
Spring steel strip .....	282	 <b>LIGHTING</b>	<b>571</b>
Slide rails and sliding blocks .....	291	Light balloons .....	571
Generators .....	293	 <b>KEYS</b>	<b>578</b>
Screed plate .....	301	Control cabinet keys .....	578
Heating rods.....	329	Key rings.....	579
V-belts.....	349	Tank key .....	582
Pressure bars .....	354	Square key .....	585
Service package for screeds .....	364	Ignition keys .....	587
Service package for screed extensions.....	369	 <b>TELEMATICS</b>	<b>590</b>
Tamper bar .....	377	WITOS FleetView.....	591
Tamper shield.....	391	 <b>EMERGENCY KITS</b>	<b>600</b>
 <b>FEED OF MIX</b>	<b>406</b>	Emergency kits.....	600
Push rollers .....	406	 <b>TOOLS</b>	<b>603</b>
Conveyor .....	414	Tools for electrical systems .....	603
Material hopper .....	424	Tools for hydraulic systems.....	604
Auger drive .....	449	Service case .....	605
Sensors for feed of mix .....	454	Other tools.....	605
Augers .....	462	 <b>UNDERCARRIAGE CRAWLER DRIVE</b>	<b>504</b>
 <b>UNDERCARRIAGE CRAWLER DRIVE</b>	<b>504</b>	Drive sprockets .....	504
Drive sprockets .....	504	Track pads .....	506
Track pads .....	506	Track chains .....	508
Track chains .....	508	Track rollers.....	512
Track rollers.....	512	Idlers.....	515
Idlers.....	515	Tensioner units .....	517
Tensioner units .....	517	 <b>UNDERCARRIAGE WHEEL DRIVE</b>	<b>520</b>
 <b>UNDERCARRIAGE WHEEL DRIVE</b>	<b>520</b>	Wheels .....	520
Wheels .....	520	Tyres .....	523
Tyres .....	523	 <b>GRADE AND SLOPE CONTROL SYSTEM</b>	<b>526</b>
 <b>GRADE AND SLOPE CONTROL SYSTEM</b>	<b>526</b>	Paver operator's console.....	526
Paver operator's console.....	526	Sensors .....	530
Sensors .....	530	Big MultiPlex Ski .....	536
Big MultiPlex Ski .....	536	Leveling Accessories .....	538
Leveling Accessories .....	538	Stringline tensioning system .....	553
Stringline tensioning system .....	553		


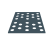











	<b>MAINTENANCE PARTS</b>	<b>606</b>		<b>TOOLS</b>	<b>780</b>
	Filter sets .....	607		Other tools .....	780
	Maintenance packages .....	637		Sprinkling system tools .....	786
	Lubricants .....	673			
	<b>WATER SYSTEM</b>	<b>678</b>			
	Sprinkling system parts .....	678			
	Water filters .....	697			
	Water pumps .....	699			
	<b>SCRAPER</b>	<b>702</b>			
	Scraper .....	702			
	<b>RUBBER BUFFERS</b>	<b>710</b>			
	Rubber buffers .....	710			
	<b>UNDERCARRIAGE WHEEL DRIVE</b>	<b>714</b>			
	Earthworks tyres .....	714			
	Rock tyres .....	717			
	Smooth tyres .....	718			
	<b>WINDSCREEN CLEANING</b>	<b>723</b>			
	Nozzles .....	723			
	Wiper arms .....	725			
	Wiper blades .....	734			
	Wiper motors .....	740			
	<b>LIGHTING</b>	<b>748</b>			
	Drum lighting .....	748			
	Position lights .....	750			
	Indicator lights .....	752			
	Reversing lights .....	755			
	Headlights .....	760			
	Tail lights .....	768			
	<b>TELEMATICS</b>	<b>772</b>			
	WITOS FleetView .....	772			
	<b>EMERGENCY KITS</b>	<b>777</b>			
	Emergency kits .....	777			



## KLEEMANN








	<b>CRUSHING TOOLS FOR IMPACT CRUSHERS</b>	<b>790</b>		<b>SCREENING</b>	<b>1181</b>
	Impact bars .....	790		Wire mesh .....	1182
	Impact plates .....	792		Harp screens .....	1366
	Impact wings .....	794		Finger screens .....	1393
	Blow bars .....	796		Hydraulic folding grates .....	1394
				Anti-clogging ropes .....	1398
	<b>CRUSHING TOOLS FOR JAW CRUSHERS</b>	<b>903</b>		Perforated plates .....	1399
	Crusher jaws .....	904		Slotted grates .....	1425
	Cheek plates .....	916		<b>MAINTENANCE PARTS</b>	<b>1439</b>
	<b>CRUSHING TOOLS FOR CONE CRUSHERS</b>	<b>922</b>		Filter sets .....	1440
	Crushing shells and crushing cones .....	923		Lubricants .....	1487
	<b>ABRASION LINING</b>	<b>961</b>		<b>EMERGENCY KITS</b>	<b>1492</b>
	Rubber curtain .....	962		Emergency kits .....	1492
	Chain curtain .....	963		<b>SPECTIVE CONNECT PACKAGES</b>	<b>1495</b>
	Wear plates .....	964		SPECTIVE CONNECT .....	1495
	<b>CRUSHER OVERLOAD PROTECTION</b>	<b>992</b>		Full control .....	1497
	Pressure plates .....	992		Productivity .....	1498
	<b>CRUSHER DRIVE</b>	<b>995</b>		Performance .....	1500
	Narrow belts .....	995		Productivity View+ .....	1502
	<b>CONVEYOR UNIT</b>	<b>997</b>		Performance View+ .....	1503
	Scraper strips .....	997			
	Conveyor belts .....	1014			
	Guide rollers .....	1139			
	Idler rollers .....	1142			
	Tapping rollers .....	1144			
	Return rollers .....	1146			
	Support rollers .....	1152			



## **BENNINGHOVEN**

---



 LIFTER PLATES	1506
 CHAIN, BUCKET ELEVATOR, GEAR RING	1508
 INNER PANELS	1510
 AGITATOR	1512
 FILTER BAGS	1514



**+** *HIGHEST QUALITY:*  
To guarantee your machine  
a long service life

**+** *OPTIMAL AVAILABILITY:*  
Fast delivery thanks to high  
warehousing capacities and  
state-of-the-art logistics

**+** *PROFESSIONAL ADVICE:*  
Service specialists with a high  
level of technical expertise

**+** *FIRST-CLASS SUPPORT:*  
Fast and reliable order  
processing

**+** *EVERYTHING YOU NEED:*  
Comprehensive portfolio of  
product-relevant service and  
maintenance packages

**WIRTGEN GROUP ORIGINAL PARTS**

**Our quality products  
ensure your success**

# Original WIRTGEN CUTTING TOOLS



Genuine WIRTGEN cutting tools represent an integral part of your machine. As the market leader in this technology, we offer a perfectly harmonised, high-performance cutting system. To ensure that this remains the case long into the future, we continuously make advancements to all the components.

In addition to our high-quality and cost-effective

round-shank picks for road milling machines as well as recyclers and stabilisers, we offer alternative cutting tools that perfectly complement our portfolio of round-shank picks.

WIRTGEN cutting tools are synonymous with unparalleled productivity, maximum service life and low operating costs.



> Read more online





## ALTERNATIVE CUTTING TOOLS

Alternative cutting tools from WIRTGEN perfectly complement our round-shank picks. While the PCD milling tools are optimally suited for surface layer rehabilitation as well as fine milling applications due to their tool geometry, the WCC PLUS milling tools are designed for mixing compact soils interspersed with large pieces of rock. Both types of tools can be combined with all HT22 toolholder bottom parts.



### WD4-12/HT22

Part no. 2805803

Carbide socket: WD4 - Mushroom-shaped carbide socket

Base diameter tip 12 mm

Tip geometry F - Flat shape

Base body suitable for toolholder system HT22

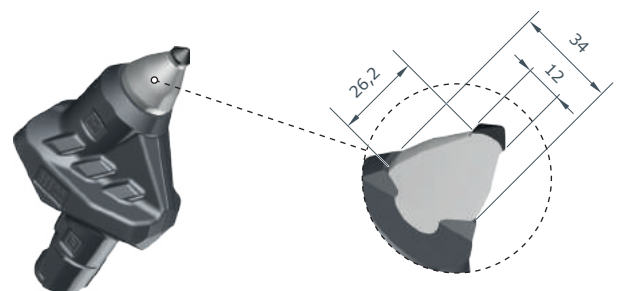
Number of interlayers 0

Height carbide socket 26.2 mm

Diameter carbide socket 34 mm

Weight per toolbox 16 kg

Quantity per toolbox 5 pc.



# Original WIRTGEN CUTTING TOOLS

WD4-15/HT22

Part no. 2788432

Carbide socket: WD4 - Mushroom-shaped carbide socket

Base diameter tip 15 mm  
Tip geometry B - Ballistic shape

Base body suitable for tool-holder system HT22

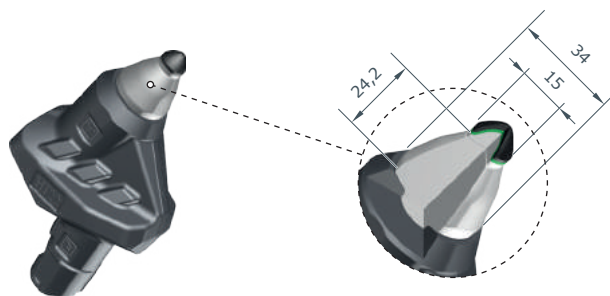
Number of interlayers 2

Height carbide socket 24.2 mm

Diameter carbide socket 34 mm

Weight per toolbox 16 kg

Quantity per toolbox 5 pc.



WCC PLUS/HT22

Part no. 3060105

Application Soil stabilization

Width carbide edge 33 mm

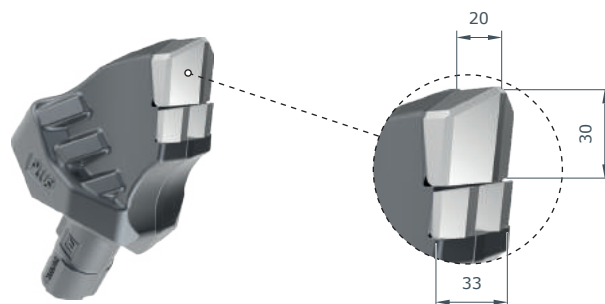
Base body suitable for tool-holder system HT22

Height carbide edge 30 mm

Depth carbide edge 20 mm

Weight per toolbox 15.46 kg

Quantity per toolbox 4 pc.





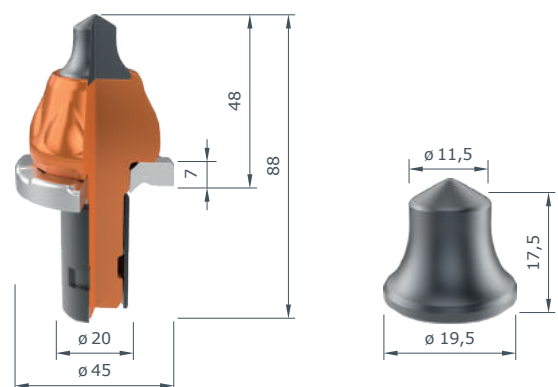
## ROUND-SHANK PICKS FOR RECYCLERS/SOIL STABILISERS

GENERATION **Z<sup>2</sup>** round-shank picks for recyclers and stabilisers are designed for high impact loads and, thanks to their optimised carbide tip geometry and composition, are the ideal solution for their areas of application.


**W6/20Z<sup>2</sup>**

Part no. 2993005

Carbide tip: W6 - Cap-shaped carbide tip for mixing compact soil	
Base diameter tip	19.5 mm
Diameter shank	20 mm
Generation identification / product characteristic	Z <sup>2</sup>
For use in toolholder system	HT22 D20, HT11 D20, HT3 D20
Height head	48 mm
Height pick	88 mm
Height tip	17.5 mm
Height wear plate	7 mm
Diameter wear plate	45 mm
Upper diameter tip	11.5 mm
Carbide weight per round-shank pick	37 g
Weight per toolbox	15.3 kg
Quantity per toolbox	40 pc.



# Original WIRTGEN CUTTING TOOLS

W6C/20Z<sup>2</sup>

Part no. 2993007

Carbide tip: W6 - Cap-shaped carbide tip for mixing soil with small to medium-sized pieces of rock

Tip shape: C - Flat carbide tip for greater breaking resistance

Base diameter tip 19.5 mm

Diameter shank 20 mm

Generation identification / product characteristic Z<sup>2</sup>

For use in toolholder system HT22 D20, HT11 D20, HT3 D20

Height head 40.5 mm

Height pick 80.5 mm

Height tip 10 mm

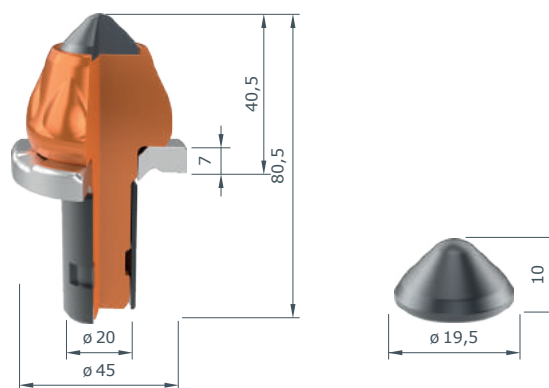
Height wear plate 7 mm

Diameter wear plate 45 mm

Carbide weight per round-shank pick 24 g

Weight per toolbox 14.5 kg

Quantity per toolbox 40 pc.



W1-17/22Z<sup>2</sup>

Part no. 2992994

Carbide tip: W1 - Cylindrical carbide tip for mixing increasingly stony soil

Base diameter tip 17.5 mm

Diameter shank 22 mm

Generation identification / product characteristic Z<sup>2</sup>

For use in toolholder system HT22 D22, HT11 D22, HT3 D22

Height head 48 mm

Height pick 88 mm

Height tip 28.5 mm

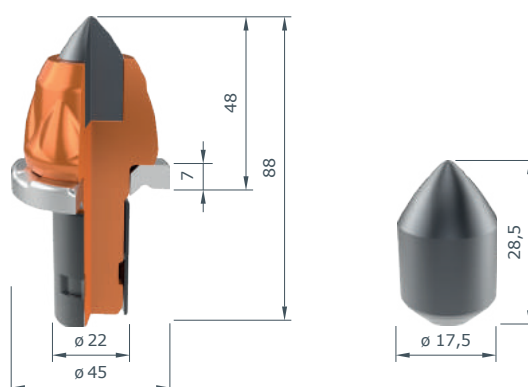
Height wear plate 7 mm

Diameter wear plate 45 mm

Carbide weight per round-shank pick 74 g

Weight per toolbox 17.7 kg

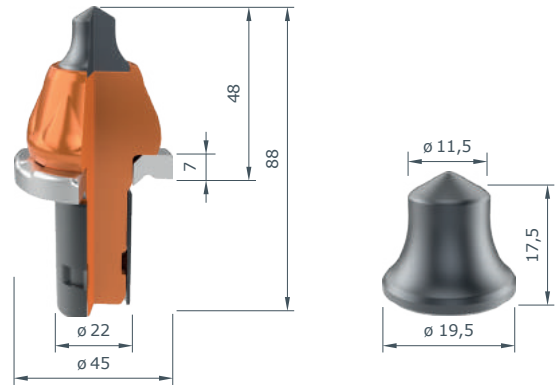
Quantity per toolbox 40 pc.



W6/22Z<sup>2</sup>

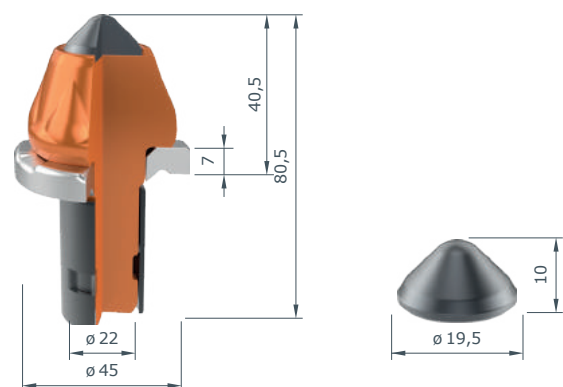
Part no. 2992987

Carbide tip: W6 - Cap-shaped carbide tip for mixing compact soil	
Base diameter tip	19.5 mm
Diameter shank	22 mm
Generation identification / product characteristic	Z <sup>2</sup>
Application	Cold recycling and pulverising, soil stabilising
For use in toolholder system	HT22 D22, HT11 D22, HT3 D22
Height head	48 mm
Height pick	88 mm
Height tip	17.5 mm
Height wear plate	7 mm
Diameter wear plate	45 mm
Upper diameter tip	11.5 mm
Carbide weight per round-shank pick	37 g
Weight per toolbox	16.5 kg
Quantity per toolbox	40 pc.

W6C/22Z<sup>2</sup>

Part no. 2992989

Carbide tip: W6 - Cap-shaped carbide tip for mixing soil with small to medium-sized pieces of rock	
Tip shape: C - Flat carbide tip for greater breaking resistance	
Base diameter tip	19.5 mm
Diameter shank	22 mm
Generation identification / product characteristic	Z <sup>2</sup>
Application	Soil stabilization
For use in toolholder system	HT22 D22, HT11 D22, HT3 D22
Height head	40.5 mm
Height pick	80.5 mm
Height tip	10 mm
Height wear plate	7 mm
Diameter wear plate	45 mm
Carbide weight per round-shank pick	24 g
Weight per toolbox	15.7 kg
Quantity per toolbox	40 pc.

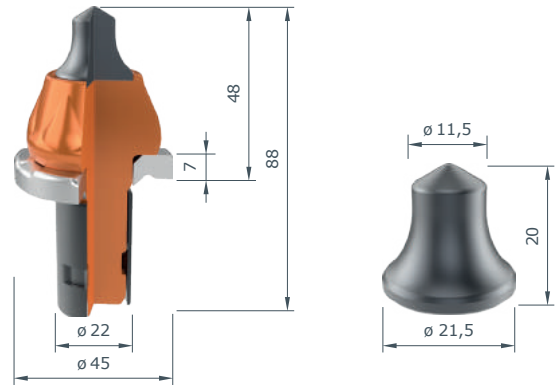


# Original WIRTGEN CUTTING TOOLS

W8/22Z<sup>2</sup>

Part no. 2992988

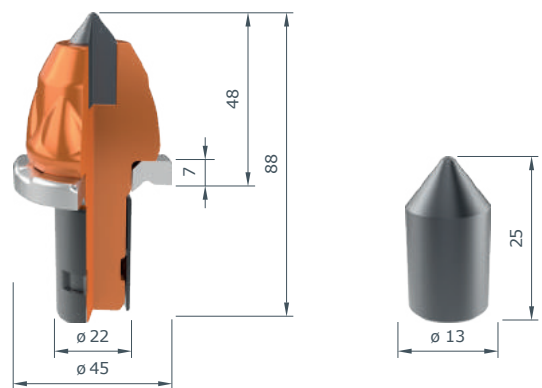
Carbide tip: W8 - Cap-shaped carbide tip for mixing compact soil	
Base diameter tip	21.5 mm
Diameter shank	22 mm
Generation identification / product characteristic	Z <sup>2</sup>
Application	Cold recycling and pulverising, soil stabilising
For use in toolholder system	HT22 D22, HT11 D22, HT3 D22
Height head	48 mm
Height pick	88 mm
Height tip	20 mm
Height wear plate	7 mm
Diameter wear plate	45 mm
Upper diameter tip	11.5 mm
Carbide weight per round-shank pick	47 g
Weight per toolbox	16.5 kg
Quantity per toolbox	40 pc.



W1-13/22Z<sup>2</sup>

Part no. 2992998

Carbide tip: W1 - Cylindrical carbide tip for mixing increasingly stony soil	
Base diameter tip	13 mm
Diameter shank	22 mm
Generation identification / product characteristic	Z <sup>2</sup>
Application	Cold recycling and pulverising, soil stabilising
For use in toolholder system	HT22 D22, HT11 D22, HT3 D22
Height head	48 mm
Height pick	88 mm
Height tip	25 mm
Height wear plate	7 mm
Diameter wear plate	45 mm
Carbide weight per round-shank pick	39 g
Weight per toolbox	16.9 kg
Quantity per toolbox	40 pc.

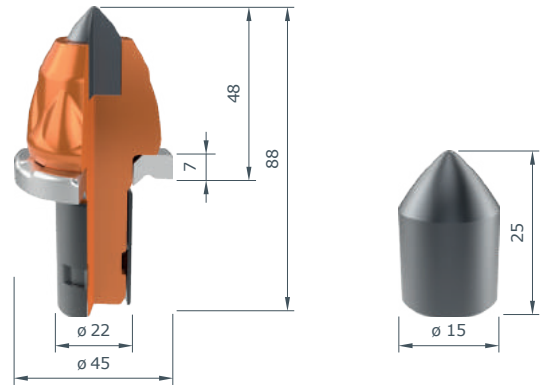


W1-15/22Z<sup>2</sup>

Part no. 2993003

Carbide tip: W1 - Cylindrical carbide tip for mixing increasingly stony soil

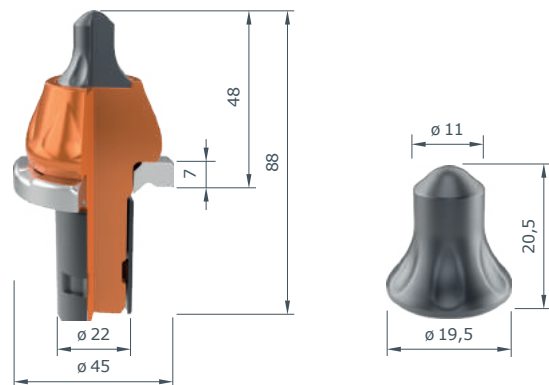
Base diameter tip	15 mm
Diameter shank	22 mm
Generation identification / product characteristic	Z <sup>2</sup>
Application	Cold recycling and pulverising, soil stabilising
For use in toolholder system	HT22 D22, HT11 D22, HT3 D22
Height head	48 mm
Height pick	88 mm
Height tip	25 mm
Height wear plate	7 mm
Diameter wear plate	45 mm
Carbide weight per round-shank pick	48 g
Weight per toolbox	17.3 kg
Quantity per toolbox	40 pc.

W7/22Z<sup>2</sup>

Part no. 3063532

Carbide tip: W7 - Cap-shaped carbide tip for mixing cohesive soil

Base diameter tip	20.5 mm
Diameter shank	22 mm
Generation identification / product characteristic	Z <sup>2</sup>
Application	Cold recycling and pulverising, soil stabilising
For use in toolholder system	HT22 D22, HT11 D22, HT3 D22
Height head	48 mm
Height pick	88 mm
Height tip	20.5 mm
Height wear plate	7 mm
Diameter wear plate	45 mm
Upper diameter tip	11 mm
Carbide weight per round-shank pick	40 g
Weight per toolbox	16.5 kg
Quantity per toolbox	40 pc.



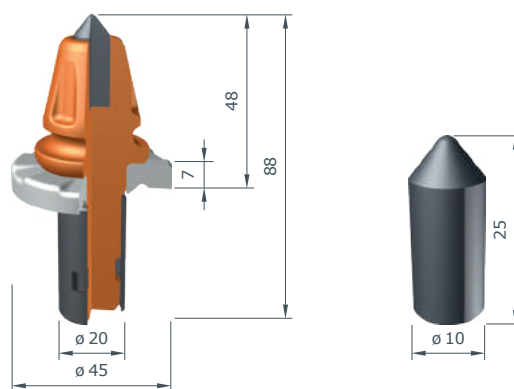
# Original WIRTGEN CUTTING TOOLS

## ROUND-SHANK PICKS FOR ROAD MILLING MACHINES

Round-shank picks for road milling machines, including GENERATION **X<sup>2</sup>** round-shank picks, reduce toolholder wear thanks to their innovative, contoured wear plate. This results in the longest possible toolholder service life and a consistent milled surface quality over a longer period of time.



W1-10-G/20X <sup>2</sup>		Part no. 2642516
Carbide tip: W1 - Cylindrical carbide tip for removing concrete		
Base diameter tip	10 mm	
Head shape: G - Pick head with extractor groove to aid in removal		
Diameter shank	20 mm	
Generation identification / product characteristic	X <sup>2</sup>	
Height head	48 mm	
Height pick	88 mm	
Height tip	25 mm	
Height wear plate	7 mm	
Diameter wear plate	45 mm	
Carbide weight per round-shank pick	24 g	
Weight per toolbox	15.4 kg	
Quantity per toolbox	50 pc.	





W1-13-G/20X<sup>2</sup>

Part no. 2642517

Carbide tip: W1 - Cylindrical carbide tip for removing concrete

Base diameter tip 13 mm

Head shape: G - Pick head with extractor groove to aid in removal

Diameter shank 20 mm

Generation identification /  
product characteristic X<sup>2</sup>

Height head 48 mm

Height pick 88 mm

Height tip 25 mm

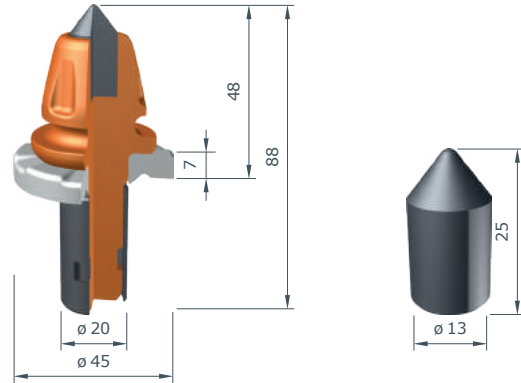
Height wear plate 7 mm

Diameter wear plate 45 mm

Carbide weight per round-  
shank pick 38 g

Weight per toolbox 16.75 kg

Quantity per toolbox 50 pc.

W1-15-G/20X<sup>2</sup>

Part no. 2642518

Carbide tip: W1 - Cylindrical carbide tip for removing concrete

Base diameter tip 15 mm

Head shape: G - Pick head with extractor groove to aid in removal

Diameter shank 20 mm

Generation identification /  
product characteristic X<sup>2</sup>

Height head 48 mm

Height pick 88 mm

Height tip 24 mm

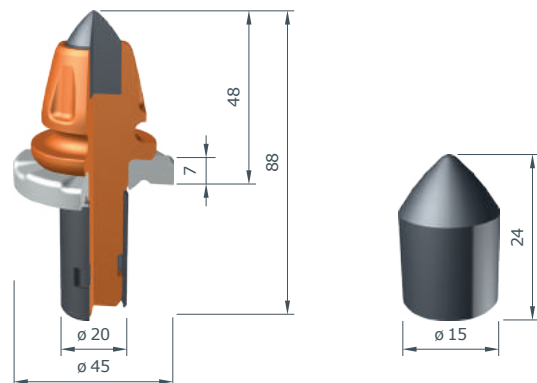
Height wear plate 7 mm

Diameter wear plate 45 mm

Carbide weight per round-  
shank pick 47 g

Weight per toolbox 16.95 kg

Quantity per toolbox 50 pc.



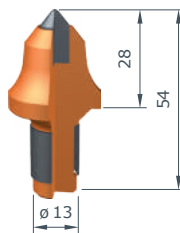
# Original WIRTGEN CUTTING TOOLS

W1-8/13

Part no. 193701

Carbide tip: W1 - Cylindrical carbide tip for removing concrete

Base diameter tip	8 mm
Diameter shank	13 mm
Height head	28 mm
Height pick	54 mm
Height tip	15 mm
Carbide weight per round-shank pick	8.9 g
Weight per toolbox	19.1 kg
Quantity per toolbox	200 pc.

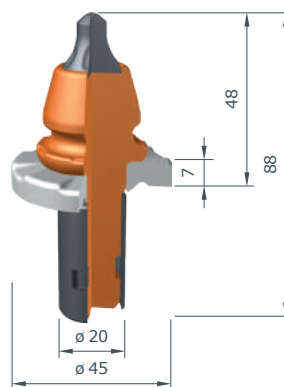


W4-G/20X<sup>2</sup>

Part no. 2642519

Carbide tip: W4 - Cap-shaped carbide tip for removing asphalt layers

Base diameter tip	16 mm
Head shape: G - Pick head with extractor groove to aid in removal	
Diameter shank	20 mm
Generation identification / product characteristic	X <sup>2</sup>
Height head	48 mm
Height pick	88 mm
Height tip	16 mm
Height wear plate	7 mm
Diameter wear plate	45 mm
Upper diameter tip	8.5 mm
Carbide weight per round-shank pick	20 g
Weight per toolbox	14.85 kg
Quantity per toolbox	50 pc.



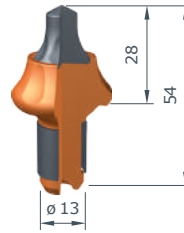


## W4/13

Part no. 182598

Carbide tip: W4 - Cap-shaped carbide tip for removing asphalt layers

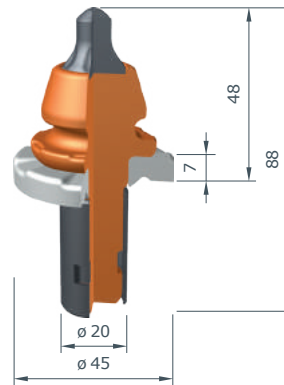
Base diameter tip	16 mm
Diameter shank	13 mm
Height head	28 mm
Height pick	54 mm
Height tip	16 mm
Upper diameter tip	8.5 mm
Carbide weight per round-shank pick	19.7 g
Weight per toolbox	19.3 kg
Quantity per toolbox	200 pc.

W5-G/20X<sup>2</sup>

Part no. 2642520

Carbide tip: W5 - Cap-shaped carbide tip for removing asphalt layers

Base diameter tip	17.5 mm
Head shape: G - Pick head with extractor groove to aid in removal	
Diameter shank	20 mm
Generation identification / product characteristic	X <sup>2</sup>
Height head	48 mm
Height pick	88 mm
Height tip	17.5 mm
Height wear plate	7 mm
Diameter wear plate	45 mm
Upper diameter tip	9.5 mm
Carbide weight per round-shank pick	26 g
Weight per toolbox	15.75 kg
Quantity per toolbox	50 pc.



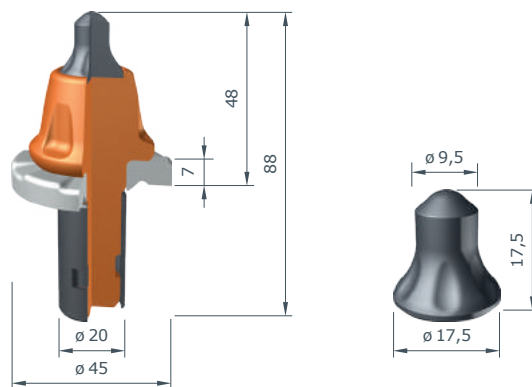
# Original WIRTGEN CUTTING TOOLS

W5/20X<sup>2</sup>

Part no. 2642521

Carbide tip: W5 - Cap-shaped carbide tip for removing asphalt layers

Base diameter tip	17.5 mm
Diameter shank	20 mm
Generation identification / product characteristic	X <sup>2</sup>
Height head	48 mm
Height pick	88 mm
Height tip	17.5 mm
Height wear plate	7 mm
Diameter wear plate	45 mm
Upper diameter tip	9.5 mm
Carbide weight per round-shank pick	26 g
Weight per toolbox	15.9 kg
Quantity per toolbox	50 pc.

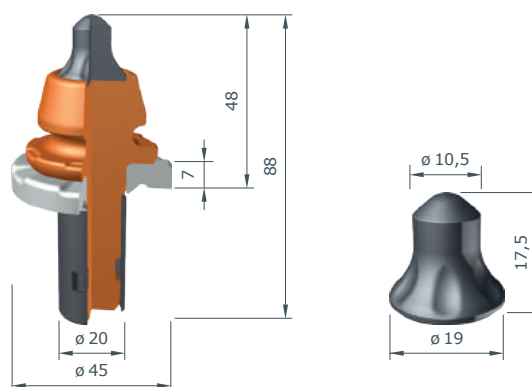


W6-G/20X<sup>2</sup>

Part no. 2642522

Carbide tip: W6 - Cap-shaped carbide tip for removing asphalt layers

Base diameter tip	19 mm
Head shape: G - Pick head with extractor groove to aid in removal	
Diameter shank	20 mm
Generation identification / product characteristic	X <sup>2</sup>
Height head	48 mm
Height pick	88 mm
Height tip	17.5 mm
Height wear plate	7 mm
Diameter wear plate	45 mm
Upper diameter tip	10.5 mm
Carbide weight per round-shank pick	30 g
Weight per toolbox	16.45 kg
Quantity per toolbox	50 pc.

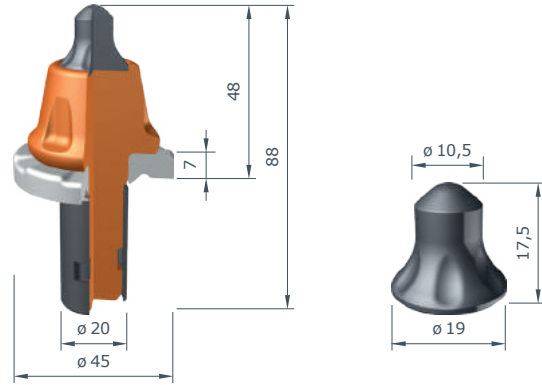


W6/20X<sup>2</sup>

Part no. 2642523

Carbide tip: W6 - Cap-shaped carbide tip for removing asphalt layers

Base diameter tip	19 mm
Diameter shank	20 mm
Generation identification / product characteristic	X <sup>2</sup>
Height head	48 mm
Height pick	88 mm
Height tip	17.5 mm
Height wear plate	7 mm
Diameter wear plate	45 mm
Upper diameter tip	10.5 mm
Carbide weight per round-shank pick	30 g
Weight per toolbox	17 kg
Quantity per toolbox	50 pc.

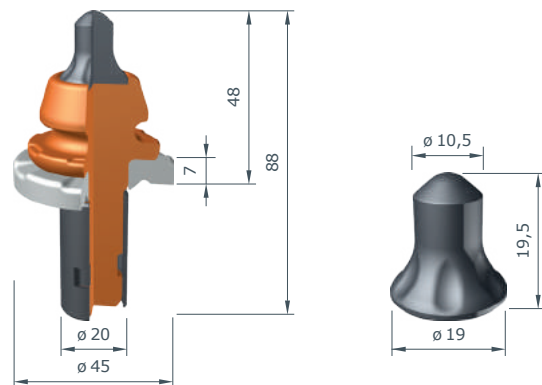
W6L-G/20X<sup>2</sup>

Part no. 2642524

Carbide tip: W6 - Cap-shaped carbide tip for removing asphalt layers

Tip shape: L - Long carbide tip for long-lasting cutting performance

Base diameter tip	19 mm
Head shape: G - Pick head with extractor groove to aid in removal	
Diameter shank	20 mm
Generation identification / product characteristic	X <sup>2</sup>
Height head	48 mm
Height pick	88 mm
Height tip	19.5 mm
Height wear plate	7 mm
Diameter wear plate	45 mm
Upper diameter tip	10.5 mm
Carbide weight per round-shank pick	33 g
Weight per toolbox	16.15 kg
Quantity per toolbox	50 pc.



# Original WIRTGEN CUTTING TOOLS

W6L/20X<sup>2</sup>

Part no. 2642525

Carbide tip: W6 - Cap-shaped carbide tip for removing asphalt layers

Tip shape: L - Long carbide tip for long-lasting cutting performance

Base diameter tip 19 mm

Diameter shank 20 mm

Generation identification / product characteristic X<sup>2</sup>

Height head 48 mm

Height pick 88 mm

Height tip 19.5 mm

Height wear plate 7 mm

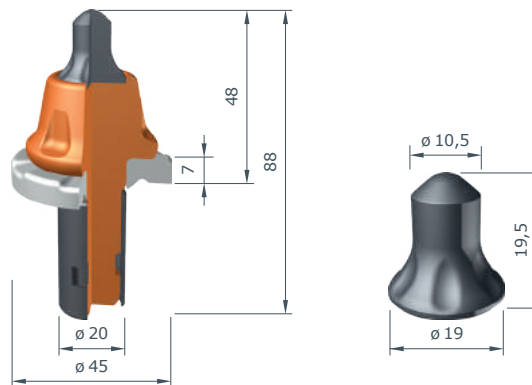
Diameter wear plate 45 mm

Upper diameter tip 10.5 mm

Carbide weight per round-shank pick 33 g

Weight per toolbox 16.6 kg

Quantity per toolbox 50 pc.



W6M/20X<sup>2</sup>

Part no. 2642526

Carbide tip: W6 - Cap-shaped carbide tip for removing asphalt layers

Tip shape: M - Massive carbide tip for greater breaking resistance

Base diameter tip 19 mm

Diameter shank 20 mm

Generation identification / product characteristic X<sup>2</sup>

Height head 48.5 mm

Height pick 88.5 mm

Height tip 18 mm

Height wear plate 7 mm

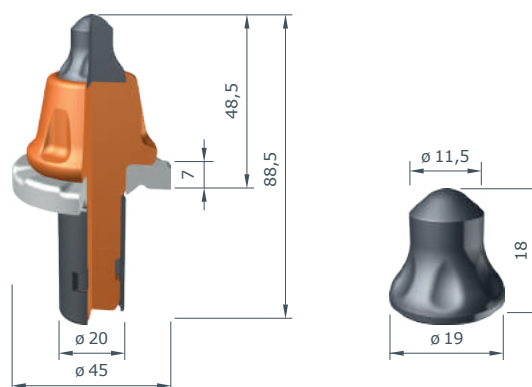
Diameter wear plate 45 mm

Upper diameter tip 11.5 mm

Carbide weight per round-shank pick 36 g

Weight per toolbox 17.3 kg

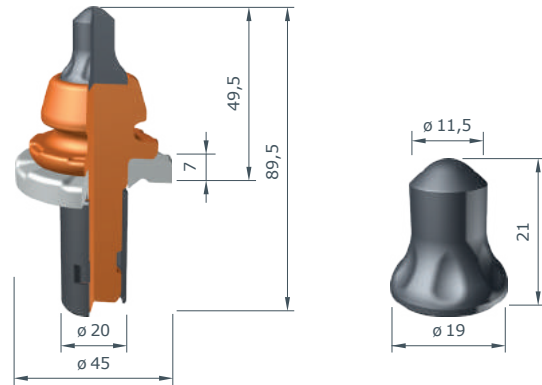
Quantity per toolbox 50 pc.



W6ML-G/20X<sup>2</sup>

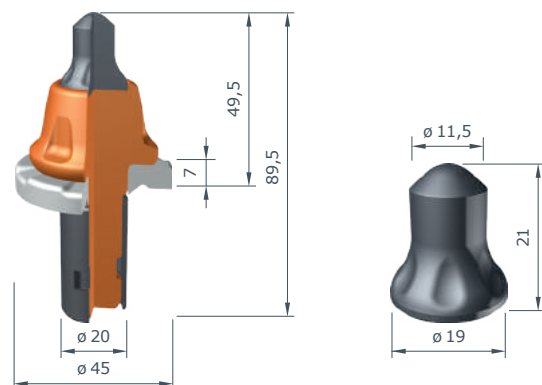
Part no. 2642528

Carbide tip: W6 - Cap-shaped carbide tip for removing asphalt layers	
Tip shape: M - Massive carbide tip for greater breaking resistance/ L - Long carbide tip for long-lasting cutting performance	
Base diameter tip	19 mm
Head shape: G - Pick head with extractor groove to aid in removal	
Diameter shank	20 mm
Generation identification / product characteristic	X <sup>2</sup>
Height head	49.5 mm
Height pick	89.5 mm
Height tip	21 mm
Height wear plate	7 mm
Diameter wear plate	45 mm
Upper diameter tip	11.5 mm
Carbide weight per round-shank pick	41 g
Weight per toolbox	16.5 kg
Quantity per toolbox	50 pc.

W6ML/20X<sup>2</sup>

Part no. 2642529

Carbide tip: W6 - Cap-shaped carbide tip for removing asphalt layers	
Tip shape: M - Massive carbide tip for greater breaking resistance/ L - Long carbide tip for long-lasting cutting performance	
Base diameter tip	19 mm
Diameter shank	20 mm
Generation identification / product characteristic	X <sup>2</sup>
Height head	49.5 mm
Height pick	89.5 mm
Height tip	21 mm
Height wear plate	7 mm
Diameter wear plate	45 mm
Upper diameter tip	11.5 mm
Carbide weight per round-shank pick	41 g
Weight per toolbox	17 kg
Quantity per toolbox	50 pc.



# Original WIRTGEN CUTTING TOOLS

W7-G/20X<sup>2</sup>

Part no. 2642530

Carbide tip: W7 - Cap-shaped carbide tip for removing asphalt layers

Base diameter tip 20.5 mm

Head shape: G - Pick head with extractor groove to aid in removal

Diameter shank 20 mm

Generation identification / product characteristic X<sup>2</sup>

Height head 48 mm

Height pick 88 mm

Height tip 20.5 mm

Height wear plate 7 mm

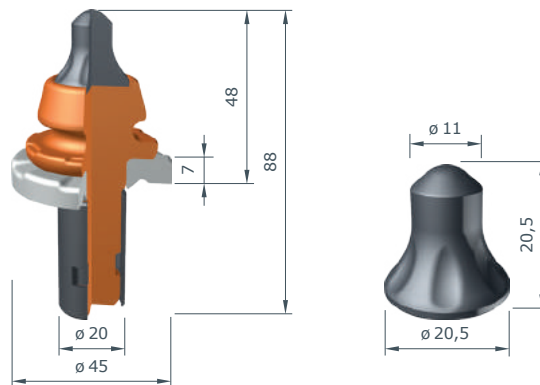
Diameter wear plate 45 mm

Upper diameter tip 11 mm

Carbide weight per round-shank pick 41 g

Weight per toolbox 16.85 kg

Quantity per toolbox 50 pc.



W7/20X<sup>2</sup>

Part no. 2642532

Carbide tip: W7 - Cap-shaped carbide tip for removing asphalt layers

Base diameter tip 20.5 mm

Diameter shank 20 mm

Generation identification / product characteristic X<sup>2</sup>

Height head 48 mm

Height pick 88 mm

Height tip 20.5 mm

Height wear plate 7 mm

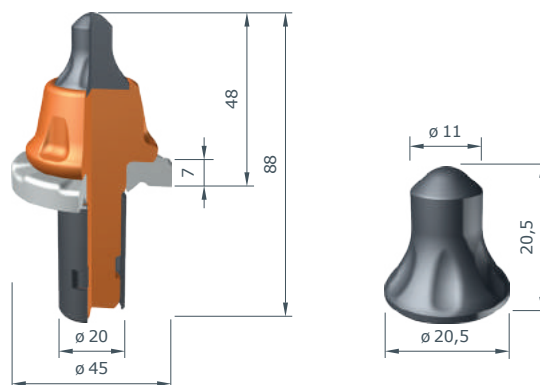
Diameter wear plate 45 mm

Upper diameter tip 11 mm

Carbide weight per round-shank pick 41 g

Weight per toolbox 17 kg

Quantity per toolbox 50 pc.





W7M/20X<sup>2</sup>

Part no. 2642534

Carbide tip: W7 - Cap-shaped carbide tip for removing asphalt layers

Tip shape: M - Massive carbide tip for greater breaking resistance

Base diameter tip 20.5 mm

Diameter shank 20 mm

Generation identification / product characteristic X<sup>2</sup>

Height head 48 mm

Height pick 88 mm

Height tip 20.5 mm

Height wear plate 7 mm

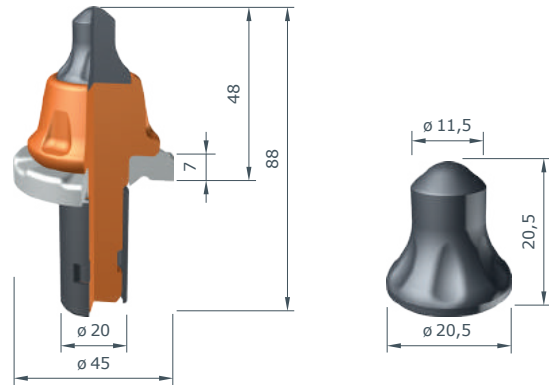
Diameter wear plate 45 mm

Upper diameter tip 11.5 mm

Carbide weight per round-shank pick 44 g

Weight per toolbox 17.15 kg

Quantity per toolbox 50 pc.

W8-G/20X<sup>2</sup>

Part no. 2642535

Carbide tip: W8 - Cap-shaped carbide tip for removing asphalt layers

Base diameter tip 22 mm

Head shape: G - Pick head with extractor groove to aid in removal

Diameter shank 20 mm

Generation identification / product characteristic X<sup>2</sup>

Height head 48 mm

Height pick 88 mm

Height tip 21.5 mm

Height wear plate 7 mm

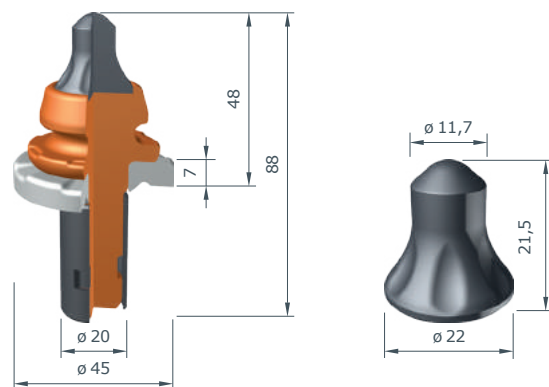
Diameter wear plate 45 mm

Upper diameter tip 11.7 mm

Carbide weight per round-shank pick 48 g

Weight per toolbox 16.5 kg

Quantity per toolbox 50 pc.



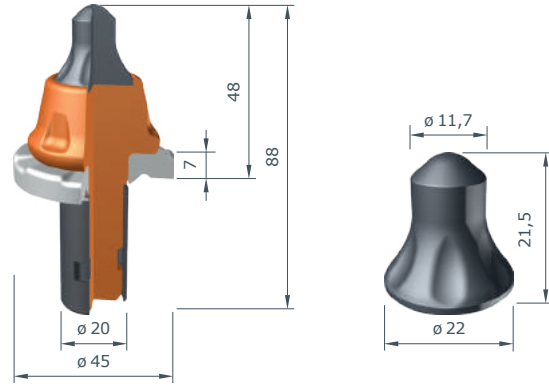
# Original WIRTGEN CUTTING TOOLS

W8/20X<sup>2</sup>

Part no. 2642537

Carbide tip: W8 - Cap-shaped carbide tip for removing asphalt layers

Base diameter tip	22 mm
Diameter shank	20 mm
Generation identification / product characteristic	X <sup>2</sup>
Height head	48 mm
Height pick	88 mm
Height tip	21.5 mm
Height wear plate	7 mm
Diameter wear plate	45 mm
Upper diameter tip	11.7 mm
Carbide weight per round-shank pick	48 g
Weight per toolbox	17.3 kg
Quantity per toolbox	50 pc.

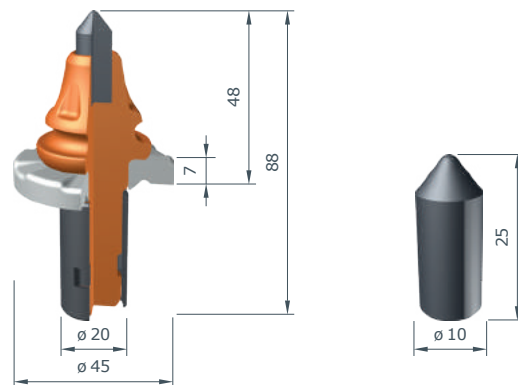


W1-10-NG/20X<sup>2</sup>

Part no. 2642539

Carbide tip: W1 - Cylindrical carbide tip for removing concrete

Base diameter tip	10 mm
Head shape: NG - Slim pick head with extractor groove to aid in removal	
Diameter shank	20 mm
Generation identification / product characteristic	X <sup>2</sup>
Height head	48 mm
Height pick	88 mm
Height tip	25 mm
Height wear plate	7 mm
Diameter wear plate	45 mm
Carbide weight per round-shank pick	24 g
Weight per toolbox	14.05 kg
Quantity per toolbox	50 pc.

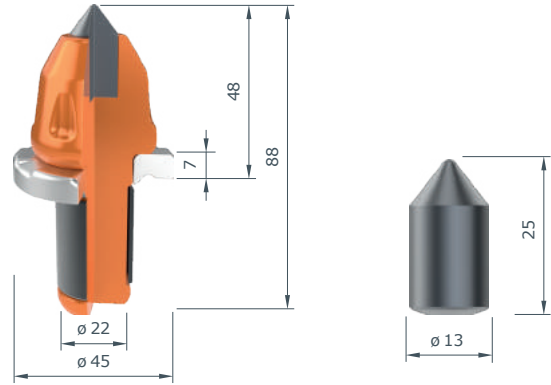


W1-13/22C<sup>2</sup>

Part no. 2832127

Carbide tip: W1 - Cylindrical carbide tip for removing concrete

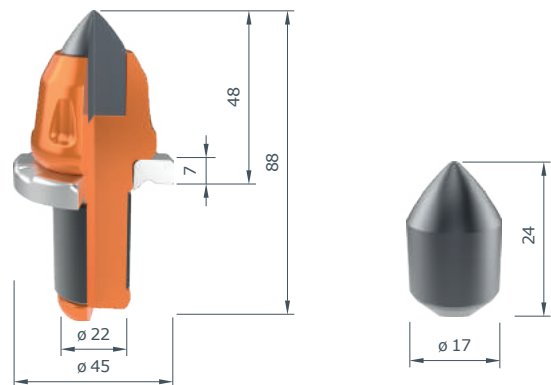
Base diameter tip	13 mm
Diameter shank	22 mm
Generation identification / product characteristic	C <sup>2</sup>
Height head	48 mm
Height pick	88 mm
Height tip	25 mm
Height wear plate	7 mm
Diameter wear plate	45 mm
Carbide weight per round-shank pick	38 g
Weight per toolbox	16.66 kg
Quantity per toolbox	40 pc.

W1-17/22C<sup>2</sup>

Part no. 2832135

Carbide tip: W1 - Cylindrical carbide tip for removing concrete

Base diameter tip	17 mm
Diameter shank	22 mm
Generation identification / product characteristic	C <sup>2</sup>
Height head	48 mm
Height pick	88 mm
Height tip	24 mm
Height wear plate	7 mm
Diameter wear plate	45 mm
Carbide weight per round-shank pick	74 g
Weight per toolbox	16.66 kg
Quantity per toolbox	40 pc.



# Original WIRTGEN CUTTING TOOLS

W7M/22C<sup>2</sup>

Part no. 2832125

Carbide tip: W7 - Cap-shaped carbide tip for removing asphalt layers

Tip shape: M - Massive carbide tip for greater breaking resistance

Base diameter tip 20.5 mm

Diameter shank 22 mm

Generation identification / product characteristic C<sup>2</sup>

Height head 48 mm

Height pick 88 mm

Height tip 20.5 mm

Height wear plate 7 mm

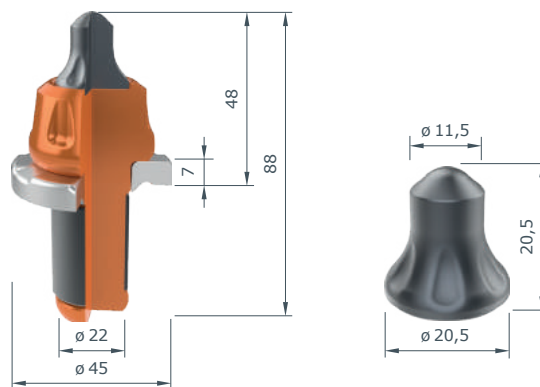
Diameter wear plate 45 mm

Upper diameter tip 11.5 mm

Carbide weight per round-shank pick 44 g

Weight per toolbox 15.82 kg

Quantity per toolbox 40 pc.



W4M-G/20X<sup>2</sup>

Part no. 2851254

Carbide tip: W4 - Cap-shaped carbide tip for removing asphalt layers

Tip shape: M - Massive carbide tip for greater breaking resistance

Base diameter tip 16 mm

Head shape: G - Pick head with extractor groove to aid in removal

Diameter shank 20 mm

Generation identification / product characteristic X<sup>2</sup>

Height head 48 mm

Height pick 88 mm

Height tip 16 mm

Height wear plate 7 mm

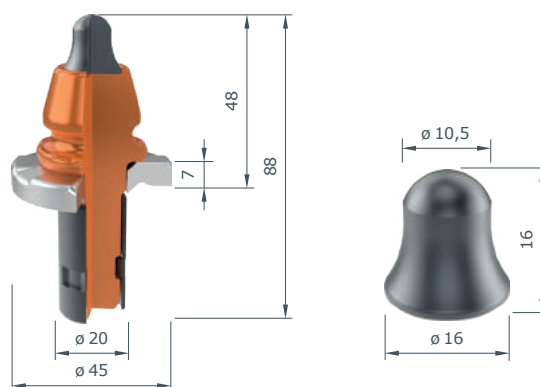
Diameter wear plate 45 mm

Upper diameter tip 10.5 mm

Carbide weight per round-shank pick 24 g

Weight per toolbox 14.85 kg

Quantity per toolbox 50 pc.





# MILLING DRUM



WIRTGEN



The heart of the world-renowned WIRTGEN road milling machines are the milling drums, designed and manufactured at the Windhagen factory. WIRTGEN has always invested in its key technology - cutting technology - to the benefit of its customers. Cutting, conveying, ejecting -

genuine WIRTGEN milling drums not only meet your highest demands in terms of quality and performance, but in conjunction with the other WIRTGEN cutting technology components, also ensure that your machine achieves its maximum performance.



> Read more online

# Original WIRTGEN MILLING DRUM

## MILLING DRUM

In order to fully leverage the machine's potential, WIRTGEN offers the perfect milling drum for every application.



MILLING DRUM										
Series code	Serial code	Part	Milling drum variant	Milling width	Milling width without outlet	Milling width outlet	Line spacing	Number of tool operations per revolution	Maximum milling depth	Part no.
W 35 DC	0403	Fine milling drum	Standard	500 mm			6 mm	1	50 mm	193418
			Standard	350 mm			6 mm	1	50 mm	187267
		Milling drum	Standard	500 mm			15 mm	1	110 mm	2430055
			Standard	350 mm			15 mm	1	110 mm	2430058
		Micro-fine milling drum	Standard	350 mm			3 mm	1	30 mm	187266
			Standard	250 mm	200 mm	2x25 mm	3 mm	1	30 mm	195052
			Standard	300 mm	250 mm	2x25 mm	3 mm	1	30 mm	195053
			Standard	200 mm	150 mm	2x25 mm	3 mm	1	30 mm	193416
			Standard	350 mm	300 mm	2x25 mm	3 mm	1	30 mm	193337
			Standard	500 mm	450 mm	2x25 mm	3 mm	1	30 mm	193419
		Cutting wheel	Standard	80 mm						110 mm
W 35 Ri	0703	Fine milling drum	Standard	500 mm			6 mm	1	50 mm	193418
			Standard	350 mm			6 mm	1	50 mm	187267
		Milling drum	Standard	500 mm			15 mm	1	110 mm	2430055
			Standard	350 mm			15 mm	1	110 mm	2430058
		Micro-fine milling drum	Standard	350 mm			3 mm	1	30 mm	187266
			Standard	250 mm	200 mm	2x25 mm	3 mm	1	30 mm	195052
			Standard	300 mm	250 mm	2x25 mm	3 mm	1	30 mm	195053
			Standard	200 mm	150 mm	2x25 mm	3 mm	1	30 mm	193416



MILLING DRUM										
Series code	Serial code	Part	Milling drum variant	Milling width	Milling width without outlet	Milling width outlet	Line spacing	Number of tool operations per revolution	Maximum milling depth	Part no.
W 35 Ri	0703	Micro-fine milling drum	Standard	350 mm	300 mm	2x25 mm	3 mm	1	30 mm	193337
			Standard	500 mm	450 mm	2x25 mm	3 mm	1	30 mm	193419
		Cutting wheel	Standard	80 mm						110 mm
W 500	0605	Fine milling drum	Standard	500 mm			6 mm	1	50 mm	89502
		Milling drum	Standard	500 mm			15 mm	1	160 mm	2400763
		Cutting wheel	Standard	80 mm						220 mm
W 50	0805	Fine milling drum	Standard	500 mm			6 mm	1	50 mm	172199
			Standard	400 mm			15 mm	1	160 mm	2413492
		Milling drum	Standard	500 mm			20 mm	1	160 mm	2413941
			Standard	500 mm			3 mm	1	30 mm	177011
			Standard	300 mm			15 mm	1	160 mm	2413491
			Standard	500 mm			15 mm	1	160 mm	2400764
		Gutter milling drum	Standard	500 mm			15 mm	1	50 mm	176725
		Micro-fine milling drum	Standard	300 mm			3 mm	1	30 mm	180542
			Standard	350 mm	300 mm	2x25 mm	3 mm	1	30 mm	172201
			Standard	500 mm			3 mm	1	30 mm	179276
	Standard		500 mm	450 mm	2x25 mm	6 mm	1	50 mm	180541	
	Cutting wheel		Standard	80 mm						160 mm
	1005	Fine milling drum	Standard	500 mm			6 mm	1	50 mm	172199
			Standard	300 mm			15 mm	1	160 mm	2413491
			Standard	500 mm			15 mm	1	160 mm	2400764

## MILLING DRUM

MILLING DRUM											
Series code	Serial code	Part	Milling drum variant	Milling width	Milling width without outlet	Milling width outlet	Line spacing	Number of tool operations per revolution	Maximum milling depth	Part no.	
W 50	1005	Milling drum	Standard	400 mm			15 mm	1	160 mm	2413492	
			Standard	500 mm			3 mm	1	30 mm	177011	
			Standard	500 mm			20 mm	1	160 mm	2413941	
		Gutter milling drum	Standard	500 mm			15 mm	1	50 mm	176725	
		Micro-fine milling drum	Standard	300 mm			3 mm	1	30 mm	180542	
			Standard	500 mm	450 mm	2x25 mm	6 mm	1	50 mm	180541	
			Standard	350 mm	300 mm	2x25 mm	3 mm	1	30 mm	172201	
			Standard	500 mm			3 mm	1	30 mm	179276	
		Cutting wheel	Standard	80 mm						160 mm	172197
		W 50 DC	0905	Fine milling drum	Standard	500 mm			6 mm	1	50 mm
Standard	500 mm				450 mm	2x25 mm	6 mm	2	30 mm	183191	
Milling drum	Standard			400 mm			15 mm	1	210 mm	2334390	
	Standard			500 mm			15 mm	1	210 mm	2334391	
	Standard			300 mm			15 mm	1	210 mm	2334386	
Micro-fine milling drum	Standard			500 mm			3 mm	1	30 mm	178362	
Cutting wheel	Standard			80 mm						300 mm	179301
	Standard			80 mm						210 mm	183119
W 50 DCi	1205	Fine milling drum	Standard	500 mm			6 mm	1	50 mm	177179	
			Standard	500 mm	450 mm	2x25 mm	6 mm	2	30 mm	183191	
		Milling drum	Standard	400 mm			15 mm	1	210 mm	2334390	
			Standard	500 mm			15 mm	1	210 mm	2334391	
			Standard	300 mm			15 mm	1	210 mm	2334386	





MILLING DRUM											
Series code	Serial code	Part	Milling drum variant	Milling width	Milling width without outlet	Milling width outlet	Line spacing	Number of tool operations per revolution	Maximum milling depth	Part no.	
W 50 DCi	1205	Micro-fine milling drum	Standard	500 mm			3 mm	1	30 mm	178362	
		Cutting wheel	Standard	80 mm						300 mm	179301
			Standard	80 mm						210 mm	183119
W 50 R	1405	Fine milling drum	Standard	500 mm			6 mm	1	50 mm	177179	
		Milling drum	Standard	500 mm			15 mm	1	210 mm	2334391	
			Standard	500 mm			20 mm	1	210 mm	2389391	
			Standard	300 mm			15 mm	1	210 mm	2334386	
			Standard	400 mm			15 mm	1	210 mm	2334390	
		Micro-fine milling drum	Standard	500 mm			3 mm	1	30 mm	178362	
		Cutting wheel	Standard	80 mm						300 mm	179301
			Standard	80 mm						210 mm	183119
W 50 Ri	1505	Fine milling drum	Standard	500 mm			6 mm	1	50 mm	177179	
		Milling drum	Standard	500 mm			15 mm	1	210 mm	2334391	
			Standard	500 mm			20 mm	1	210 mm	2389391	
			Standard	300 mm			15 mm	1	210 mm	2334386	
			Standard	400 mm			15 mm	1	210 mm	2334390	
		Micro-fine milling drum	Standard	500 mm			3 mm	1	30 mm	178362	
		Cutting wheel	Standard	80 mm						300 mm	179301
			Standard	80 mm						210 mm	183119

## MILLING DRUM

MILLING DRUM										
Series code	Serial code	Part	Milling drum variant	Milling width	Milling width without outlet	Milling width outlet	Line spacing	Number of tool operations per revolution	Maximum milling depth	Part no.
W 50 H	1305	Fine milling drum	Standard	500 mm			6 mm	1	50 mm	2487367
			Standard	400 mm			6 mm	1	50 mm	2487917
		Milling drum	Standard	350 mm			15 mm	1	150 mm	2487332
			Standard	500 mm			15 mm	1	180 mm	2544519
		Gutter milling drum	Standard	300 mm			6 mm	1	30 mm	2488800
		Micro-fine milling drum	Standard	200 mm			3 mm	1	30 mm	2487364
		Cutting wheel	Standard	80 mm					135 mm	2487369
W 55 H	1305	Fine milling drum	Standard	500 mm			6 mm	1	50 mm	2487367
			Standard	400 mm			6 mm	1	50 mm	2487917
		Milling drum	Standard	350 mm			15 mm	1	150 mm	2487332
			Standard	500 mm			15 mm	1	180 mm	2544519
		Gutter milling drum	Standard	300 mm			6 mm	1	30 mm	2488800
		Micro-fine milling drum	Standard	200 mm			3 mm	1	30 mm	2487364
		Cutting wheel	Standard	80 mm					135 mm	2487369
W 60 R	1405	Milling drum	Standard	600 mm			15 mm	1	210 mm	2334395
			Standard	600 mm			6 mm	1	50 mm	2389394
			Standard	600 mm			20 mm	1	210 mm	2389396
		Cutting wheel	Standard	80 mm					210 mm	2389537
W 60 Ri	1505	Milling drum	Standard	600 mm			15 mm	1	210 mm	2334395
			Standard	600 mm			6 mm	1	50 mm	2389394
			Standard	600 mm			20 mm	1	210 mm	2389396



MILLING DRUM										
Series code	Serial code	Part	Milling drum variant	Milling width	Milling width without outlet	Milling width outlet	Line spacing	Number of tool operations per revolution	Maximum milling depth	Part no.
W 60 Ri	1505	Cutting wheel	Standard	80 mm					210 mm	2389537
W 60	0910	Milling drum	Standard	600 mm			15 mm	1	300 mm	2311471
			Standard	500 mm			15 mm	1	300 mm	2317307
			Standard	400 mm			15 mm	1	300 mm	2317256
W 60i	1210	Milling drum	Standard	600 mm			15 mm	1	300 mm	2311471
			Standard	500 mm			15 mm	1	300 mm	2317307
			Standard	400 mm			15 mm	1	300 mm	2317256
W 100	0910	Fine milling drum	FCS	1000 mm			8 mm	1	100 mm	2311438
			FCS	1000 mm			6 mm	2	30 mm	2062033
		Milling drum	FCS	1000 mm			18 mm	1	300 mm	2492794
			Standard	1000 mm			15 mm	1	300 mm	2311427
			FCS	1000 mm			15 mm	1	300 mm	2311434
W 100i	1210	Fine milling drum	FCS	1000 mm			8 mm	1	100 mm	2311438
			FCS	1000 mm			6 mm	2	30 mm	2062033
		Milling drum	FCS	1000 mm			18 mm	1	300 mm	2492794
			Standard	1000 mm			15 mm	1	300 mm	2311427
			FCS	1000 mm			15 mm	1	300 mm	2311434
W 100 H	1910	Milling drum	Standard	1300 mm			18 mm	1	180 mm	2314405
			Standard	1000 mm			18 mm	1	180 mm	2314400
W 100 R	1510	Fine milling drum	FCS	1000 mm			8 mm	1	100 mm	2311438
			FCS	1000 mm			6 mm	2	30 mm	2062033
		Milling drum	FCS	1000 mm			18 mm	1	300 mm	2492794
			Standard	1000 mm			15 mm	1	300 mm	2311427
			FCS	1000 mm			15 mm	1	300 mm	2311434

## MILLING DRUM

MILLING DRUM										
Series code	Serial code	Part	Milling drum variant	Milling width	Milling width without outlet	Milling width outlet	Line spacing	Number of tool operations per revolution	Maximum milling depth	Part no.
W 100 Ri	1610	Fine milling drum	FCS	1000 mm			8 mm	1	100 mm	2311438
			FCS	1000 mm			6 mm	2	30 mm	2062033
		Milling drum	FCS	1000 mm			18 mm	1	300 mm	2492794
			Standard	1000 mm			15 mm	1	300 mm	2311427
			FCS	1000 mm			15 mm	1	300 mm	2311434
W 100 H	1410	Milling drum	Standard	1300 mm			18 mm	1	180 mm	2314405
			Standard	1000 mm			18 mm	1	180 mm	2314400
W 120 R	1510	Fine milling drum	FCS	1200 mm			8 mm	1	100 mm	2494907
			FCS	1200 mm			6 mm	2	30 mm	2494908
		Milling drum	Standard	1200 mm			18 mm	1	300 mm	2510269
			FCS	1200 mm			18 mm	1	300 mm	2494906
W 120 Ri	1610	Fine milling drum	FCS	1200 mm			8 mm	1	100 mm	2494907
			FCS	1200 mm			6 mm	2	30 mm	2494908
		Milling drum	Standard	1200 mm			18 mm	1	300 mm	2510269
			FCS	1200 mm			18 mm	1	300 mm	2494906
W 130 H	1410, 1910	Milling drum	Standard	1300 mm			18 mm	1	180 mm	2314405
			Standard	1000 mm			18 mm	1	180 mm	2314400
W 1000 F	0710	Fine milling drum	Standard	1000 mm			8 mm	1	100 mm	2345885
			FCS	1000 mm			6 mm	1	50 mm	2345886
			FCS	1000 mm			8 mm	1	100 mm	2338529
			FCS	1000 mm			6 mm	2	30 mm	150396
			Standard	1000 mm			6 mm	2	30 mm	161484
		Milling drum	Standard	1000 mm			15 mm	1	315 mm	2341969
			FCS	300 mm			12 mm	1	290 mm	2338528
			FCS	500 mm			15 mm	1	290 mm	2338527



MILLING DRUM										
Series code	Serial code	Part	Milling drum variant	Milling width	Milling width without outlet	Milling width outlet	Line spacing	Number of tool operations per revolution	Maximum milling depth	Part no.
W 1000 F	0710	Milling drum	FCS	750 mm			15 mm	1	290 mm	2338523
			FCS	900 mm			15 mm	1	290 mm	2338522
			FCS	1000 mm			15 mm	1	315 mm	2338521
			FCS	600 mm			12 mm	1	290 mm	2338525
W 100 F	0810	Fine milling drum	FCS	1000 mm			8 mm	1	100 mm	2308204
			FCS	1000 mm			6 mm	2	30 mm	2062046
		Milling drum	FCS	500 mm			15 mm	1	290 mm	2308183
			Standard	1000 mm			15 mm	1	320 mm	2308577
			FCS	1000 mm			25 mm	1	320 mm	2308540
			FCS	1000 mm			18 mm	1	320 mm	2308571
			FCS	600 mm			12 mm	1	290 mm	2308151
			FCS	1000 mm			15 mm	1	320 mm	2308077
			FCS	300 mm			12 mm	1	290 mm	2308192
W 100 Fi	1310	Fine milling drum	FCS	1000 mm			8 mm	1	100 mm	2308204
			FCS	1000 mm			6 mm	2	30 mm	2062046
		Milling drum	FCS	1000 mm			18 mm	1	320 mm	2308571
			Standard	1000 mm			15 mm	1	320 mm	2308577
			FCS	300 mm			12 mm	1	290 mm	2308192
			FCS	1000 mm			15 mm	1	320 mm	2308077
			FCS	600 mm			12 mm	1	290 mm	2308151
			FCS	500 mm			15 mm	1	290 mm	2308183
			FCS	1000 mm			25 mm	1	320 mm	2308540
W 100 CF	1710	Fine milling drum	FCS	1000 mm			8 mm	1	100 mm	2308204
			FCS	1000 mm			6 mm	2	30 mm	2062046
		Milling drum	FCS	500 mm			15 mm	1	290 mm	2308183

## MILLING DRUM

MILLING DRUM										
Series code	Serial code	Part	Milling drum variant	Milling width	Milling width without outlet	Milling width outlet	Line spacing	Number of tool operations per revolution	Maximum milling depth	Part no.
W 100 CF	1710	Milling drum	Standard	1000 mm			15 mm	1	320 mm	2308577
			FCS	1000 mm			25 mm	1	320 mm	2308540
			FCS	1000 mm			18 mm	1	320 mm	2308571
			FCS	600 mm			12 mm	1	290 mm	2308151
			FCS	1000 mm			15 mm	1	320 mm	2308077
			FCS	300 mm			12 mm	1	290 mm	2308192
W 100 CFi	1810	Fine milling drum	FCS	1000 mm			8 mm	1	100 mm	2308204
			FCS	1000 mm			6 mm	2	30 mm	2062046
		Milling drum	FCS	500 mm			15 mm	1	290 mm	2308183
			Standard	1000 mm			15 mm	1	320 mm	2308577
			FCS	1000 mm			25 mm	1	320 mm	2308540
			FCS	1000 mm			18 mm	1	320 mm	2308571
			FCS	600 mm			12 mm	1	290 mm	2308151
			FCS	1000 mm			15 mm	1	320 mm	2308077
			FCS	300 mm			12 mm	1	290 mm	2308192
			W 1200 F	0710	Fine milling drum	Standard	1200 mm			8 mm
FCS	1200 mm						6 mm	2	30 mm	179345
FCS	1200 mm						8 mm	1	100 mm	2345889
Milling drum	FCS	750 mm					15 mm	1	290 mm	2338523
	FCS	500 mm					15 mm	1	290 mm	2338527
	FCS	300 mm					12 mm	1	290 mm	2338528
	Standard	1200 mm					15 mm	1	315 mm	2345887
	FCS	900 mm					15 mm	1	290 mm	2338522
	FCS	1000 mm					15 mm	1	290 mm	2338521
	FCS	1200 mm					15 mm	1	315 mm	2338520



MILLING DRUM										
Series code	Serial code	Part	Milling drum variant	Milling width	Milling width without outlet	Milling width outlet	Line spacing	Number of tool operations per revolution	Maximum milling depth	Part no.
W 1200 F	0710	Milling drum	FCS	600 mm			12 mm	1	290 mm	2338525
W 120 F	0810	Fine milling drum	FCS	1200 mm			6 mm	2	30 mm	2062051
			FCS	1200 mm			8 mm	1	100 mm	2308217
		Milling drum	FCS	600 mm			12 mm	1	290 mm	2308151
			FCS	1200 mm			18 mm	1	320 mm	2308569
			FCS	300 mm			12 mm	1	290 mm	2308192
			FCS	900 mm			15 mm	1	290 mm	2308214
			FCS	1200 mm			25 mm	1	320 mm	2308291
			FCS	1200 mm			15 mm	1	320 mm	2308146
			Standard	1200 mm			15 mm	1	320 mm	2308580
			FCS	500 mm			15 mm	1	290 mm	2308183
W 120 Fi	1310	Fine milling drum	FCS	1200 mm			8 mm	1	100 mm	2308217
			FCS	1200 mm			6 mm	2	30 mm	2062051
		Milling drum	FCS	500 mm			15 mm	1	290 mm	2308183
			Standard	1200 mm			15 mm	1	320 mm	2308580
			FCS	900 mm			15 mm	1	290 mm	2308214
			FCS	1200 mm			25 mm	1	320 mm	2308291
			FCS	1200 mm			18 mm	1	320 mm	2308569
			FCS	600 mm			12 mm	1	290 mm	2308151
			FCS	1200 mm			15 mm	1	320 mm	2308146
			FCS	300 mm			12 mm	1	290 mm	2308192
W 120 CF	1710	Fine milling drum	FCS	1200 mm			8 mm	1	100 mm	2308217
			FCS	1200 mm			6 mm	2	30 mm	2062051
		Milling drum	FCS	500 mm			15 mm	1	290 mm	2308183
			Standard	1200 mm			15 mm	1	320 mm	2308580

**MILLING DRUM**

MILLING DRUM										
Series code	Serial code	Part	Milling drum variant	Milling width	Milling width without outlet	Milling width outlet	Line spacing	Number of tool operations per revolution	Maximum milling depth	Part no.
W 120 CF	1710	Milling drum	FCS	900 mm			15 mm	1	290 mm	2308214
			FCS	1200 mm			25 mm	1	320 mm	2308291
			FCS	1200 mm			18 mm	1	320 mm	2308569
			FCS	600 mm			12 mm	1	290 mm	2308151
			FCS	1200 mm			15 mm	1	320 mm	2308146
			FCS	300 mm			12 mm	1	290 mm	2308192
W 120 CFi	1810	Fine milling drum	FCS	1200 mm			8 mm	1	100 mm	2308217
			FCS	1200 mm			6 mm	2	30 mm	2062051
		Milling drum	FCS	500 mm			15 mm	1	290 mm	2308183
			Standard	1200 mm			15 mm	1	320 mm	2308580
			FCS	900 mm			15 mm	1	290 mm	2308214
			FCS	1200 mm			25 mm	1	320 mm	2308291
			FCS	1200 mm			18 mm	1	320 mm	2308569
			FCS	600 mm			12 mm	1	290 mm	2308151
			FCS	1200 mm			15 mm	1	320 mm	2308146
			FCS	300 mm			12 mm	1	290 mm	2308192
W 1300 F	0710	Fine milling drum	FCS	1320 mm			8 mm	1	100 mm	2345892
		Milling drum	FCS	1000 mm			15 mm	1	290 mm	2338521
			FCS	900 mm			15 mm	1	290 mm	2338522
			FCS	750 mm			15 mm	1	290 mm	2338523
			FCS	500 mm			15 mm	1	290 mm	2338527
			FCS	300 mm			12 mm	1	290 mm	2338528
			Standard	1320 mm			15 mm	1	315 mm	2345890
			FCS	1320 mm			15 mm	1	315 mm	2345891





MILLING DRUM										
Series code	Serial code	Part	Milling drum variant	Milling width	Milling width without outlet	Milling width outlet	Line spacing	Number of tool operations per revolution	Maximum milling depth	Part no.
W 1300 F	0710	Milling drum	FCS	1200 mm			15 mm	1	290 mm	2338520
			FCS	600 mm			12 mm	1	290 mm	2338525
W 130 F	0810	Fine milling drum	FCS	1300 mm			8 mm	1	100 mm	2308268
			FCS	1300 mm			6 mm	2	30 mm	2062070
		Milling drum	FCS	300 mm			12 mm	1	290 mm	2308192
			FCS	1300 mm			25 mm	1	320 mm	2308610
			FCS	1300 mm			15 mm	1	320 mm	2308220
			FCS	1300 mm			18 mm	1	320 mm	2308457
			Standard	1300 mm			15 mm	1	320 mm	2308584
			FCS	500 mm			15 mm	1	290 mm	2308183
			FCS	600 mm			12 mm	1	290 mm	2308151
			FCS	900 mm			15 mm	1	290 mm	2308214
W 130 Fi	1310	Fine milling drum	FCS	1300 mm			6 mm	2	30 mm	2062070
			FCS	1300 mm			8 mm	1	100 mm	2308268
		Milling drum	FCS	1300 mm			18 mm	1	320 mm	2308457
			FCS	300 mm			12 mm	1	290 mm	2308192
			FCS	1300 mm			25 mm	1	320 mm	2308610
			FCS	600 mm			12 mm	1	290 mm	2308151
			FCS	500 mm			15 mm	1	290 mm	2308183
			FCS	1300 mm			15 mm	1	320 mm	2308220
			FCS	900 mm			15 mm	1	290 mm	2308214
			Standard	1300 mm			15 mm	1	320 mm	2308584
W 130 CF	1710	Fine milling drum	FCS	1300 mm			8 mm	1	100 mm	2308268
			FCS	1300 mm			6 mm	2	30 mm	2062070
		Milling drum	FCS	300 mm			12 mm	1	290 mm	2308192

## MILLING DRUM

MILLING DRUM										
Series code	Serial code	Part	Milling drum variant	Milling width	Milling width without outlet	Milling width outlet	Line spacing	Number of tool operations per revolution	Maximum milling depth	Part no.
W 130 CF	1710	Milling drum	FCS	1300 mm			25 mm	1	320 mm	2308610
			FCS	1300 mm			15 mm	1	320 mm	2308220
			FCS	1300 mm			18 mm	1	320 mm	2308457
			Standard	1300 mm			15 mm	1	320 mm	2308584
			FCS	500 mm			15 mm	1	290 mm	2308183
			FCS	600 mm			12 mm	1	290 mm	2308151
			FCS	900 mm			15 mm	1	290 mm	2308214
W 130 CFi	1810	Fine milling drum	FCS	1300 mm			8 mm	1	100 mm	2308268
			FCS	1300 mm			6 mm	2	30 mm	2062070
		Milling drum	FCS	300 mm			12 mm	1	290 mm	2308192
			FCS	1300 mm			25 mm	1	320 mm	2308610
			FCS	1300 mm			15 mm	1	320 mm	2308220
			FCS	1300 mm			18 mm	1	320 mm	2308457
			Standard	1300 mm			15 mm	1	320 mm	2308584
			FCS	500 mm			15 mm	1	290 mm	2308183
			FCS	600 mm			12 mm	1	290 mm	2308151
			FCS	900 mm			15 mm	1	290 mm	2308214
W 1500	0820	Fine milling drum	Standard	1320 mm			8 mm	1	100 mm	2338530
		Milling drum	Standard	1500 mm			15 mm	1	300 mm	2338533
			Standard	1320 mm			15 mm	1	300 mm	2338532
W 150	0513	Fine milling drum	FCS	1200 mm			8 mm	1	100 mm	2308217
			FCS	1500 mm			8 mm	1	100 mm	2314989
			FCS	1200 mm			6 mm	2	30 mm	2062051
			FCS	1500 mm			6 mm	2	30 mm	2090831



MILLING DRUM										
Series code	Serial code	Part	Milling drum variant	Milling width	Milling width without outlet	Milling width outlet	Line spacing	Number of tool operations per revolution	Maximum milling depth	Part no.
W 150	0513	Milling drum	FCS	1200 mm			18 mm	1	320 mm	2308569
			FCS	1500 mm			15 mm	1	320 mm	2309322
			Standard	1200 mm			15 mm	1	320 mm	2309334
			Standard	1500 mm			15 mm	1	320 mm	2309338
			FCS	1500 mm			25 mm	1	320 mm	2314996
			FCS	1500 mm			18 mm	1	320 mm	2315000
			FCS	900 mm			15 mm	1	280 mm	2308214
			FCS	600 mm			12 mm	1	280 mm	2308151
			FCS	1200 mm			15 mm	1	320 mm	2308146
			FCS	1200 mm			25 mm	1	320 mm	2308291
W 150i	0613	Fine milling drum	FCS	1200 mm			8 mm	1	100 mm	2308217
			FCS	1500 mm			8 mm	1	100 mm	2314989
			FCS	1200 mm			6 mm	2	30 mm	2062051
			FCS	1500 mm			6 mm	2	30 mm	2090831
		Milling drum	FCS	1200 mm			18 mm	1	320 mm	2308569
			FCS	1500 mm			15 mm	1	320 mm	2309322
			Standard	1200 mm			15 mm	1	320 mm	2309334
			Standard	1500 mm			15 mm	1	320 mm	2309338
			FCS	1500 mm			25 mm	1	320 mm	2314996
			FCS	1500 mm			18 mm	1	320 mm	2315000
			FCS	900 mm			15 mm	1	280 mm	2308214
			FCS	600 mm			12 mm	1	280 mm	2308151
			FCS	1200 mm			15 mm	1	320 mm	2308146
			FCS	1200 mm			25 mm	1	320 mm	2308291

## MILLING DRUM

MILLING DRUM										
Series code	Serial code	Part	Milling drum variant	Milling width	Milling width without outlet	Milling width outlet	Line spacing	Number of tool operations per revolution	Maximum milling depth	Part no.
W 150 CF	0713	Fine milling drum	FCS	1200 mm			6 mm	2	30 mm	2062051
			FCS	1800 mm			6 mm	2	30 mm	2632992
			FCS	1500 mm			6 mm	2	30 mm	2090831
			FCS	1500 mm			8 mm	1	100 mm	2314989
			FCS	1200 mm			8 mm	1	100 mm	2308217
		Milling drum	Standard	1500 mm			15 mm	1	330 mm	2309338
			FCS	1500 mm			25 mm	1	330 mm	2314996
			FCS	1500 mm			18 mm	1	330 mm	2315000
			FCS	1800 mm			18 mm	1	330 mm	2535359
			FCS	1500 mm			15 mm	1	330 mm	2309322
			FCS	1200 mm			25 mm	1	280 mm	2308291
			FCS	900 mm			15 mm	1	280 mm	2308214
			FCS	600 mm			12 mm	1	280 mm	2308151
			FCS	1200 mm			15 mm	1	280 mm	2308146
FCS	1200 mm			18 mm	1	280 mm	2308569			
W 150 CFi	0813	Fine milling drum	FCS	1200 mm			6 mm	2	30 mm	2062051
			FCS	1800 mm			6 mm	2	30 mm	2632992
			FCS	1500 mm			6 mm	2	30 mm	2090831
			FCS	1500 mm			8 mm	1	100 mm	2314989
			FCS	1200 mm			8 mm	1	100 mm	2308217
		Milling drum	Standard	1500 mm			15 mm	1	330 mm	2309338
			FCS	1500 mm			25 mm	1	330 mm	2314996
			FCS	1500 mm			18 mm	1	330 mm	2315000
			FCS	1800 mm			18 mm	1	330 mm	2535359
			FCS	1500 mm			15 mm	1	330 mm	2309322



MILLING DRUM											
Series code	Serial code	Part	Milling drum variant	Milling width	Milling width without outlet	Milling width outlet	Line spacing	Number of tool operations per revolution	Maximum milling depth	Part no.	
W 150 CFi	0813	Milling drum	FCS	1200 mm			25 mm	1	280 mm	2308291	
			FCS	900 mm			15 mm	1	280 mm	2308214	
			FCS	600 mm			12 mm	1	280 mm	2308151	
			FCS	1200 mm			15 mm	1	280 mm	2308146	
			FCS	1200 mm			18 mm	1	280 mm	2308569	
W 1900	0820	Fine milling drum	FCS	2000 mm			8 mm	1	100 mm	2314592	
			FCS	2000 mm			6 mm	2	30 mm	144986	
			Standard	2000 mm			8 mm	1	100 mm	2338534	
			Standard	2000 mm			6 mm	2	30 mm	123977	
		Milling drum	FCS	2000 mm			15 mm	1	320 mm	2314585	
			Standard	2000 mm			15 mm	1	320 mm	2314564	
	0920	Fine milling drum	Standard	2000 mm			6 mm	2	30 mm	123977	
			Standard	2000 mm			8 mm	1	100 mm	2338534	
			FCS	2000 mm			8 mm	1	100 mm	2314592	
			FCS	2000 mm			6 mm	2	30 mm	144986	
		Milling drum	Standard	2000 mm			15 mm	1	320 mm	2314564	
			FCS	2000 mm			15 mm	1	320 mm	2314585	
		1020	Fine milling drum	FCS	2000 mm			8 mm	1	100 mm	2314592
				FCS	2000 mm			6 mm	2	30 mm	144986
	Standard			2000 mm			8 mm	1	100 mm	2338534	
	Standard			2000 mm			6 mm	2	30 mm	123977	
	Milling drum		FCS	2000 mm			15 mm	1	320 mm	2314585	
			Standard	2000 mm			15 mm	1	320 mm	2314564	
	W 195	1820	Fine milling drum	Standard	2000 mm			8 mm	1	100 mm	2307323
				FCS	2000 mm			6 mm	2	30 mm	2112481

## MILLING DRUM

MILLING DRUM										
Series code	Serial code	Part	Milling drum variant	Milling width	Milling width without outlet	Milling width outlet	Line spacing	Number of tool operations per revolution	Maximum milling depth	Part no.
W 195	1820	Fine milling drum	Standard	2000 mm			6 mm	2	30 mm	2112478
			FCS	2000 mm			8 mm	1	100 mm	2307327
		Milling drum	Standard	2000 mm			25 mm	1	330 mm	2307320
			Standard	2000 mm			18 mm	1	330 mm	2307321
			FCS	2000 mm			18 mm	1	330 mm	2307325
			FCS	2000 mm			25 mm	1	330 mm	2307324
			Standard	2000 mm			15 mm	1	330 mm	2307322
			FCS	2000 mm			15 mm	1	330 mm	2307326
W 2000	0620, 1120	Fine milling drum	FCS	2000 mm			6 mm	2	30 mm	144986
			Standard	2200 mm			8 mm	1	100 mm	2338535
			Standard	2000 mm			8 mm	1	100 mm	2338534
			FCS	2000 mm			8 mm	1	100 mm	2314592
			Standard	2000 mm			6 mm	2	30 mm	123977
		Milling drum	Standard	2000 mm			25 mm	1	320 mm	2338536
			FCS	2000 mm			25 mm	1	320 mm	2338538
			Standard	2200 mm			15 mm	1	320 mm	2314577
			Standard	2000 mm			15 mm	1	320 mm	2314564
			FCS	2000 mm			15 mm	1	320 mm	2314585
W 200	1220	Fine milling drum	FCS	2200 mm			6 mm	2	30 mm	2119190
			FCS	2200 mm			8 mm	1	100 mm	2307335
			FCS	2000 mm			6 mm	2	30 mm	2112481
			Standard	2000 mm			6 mm	2	30 mm	2112478
			Standard	2000 mm			8 mm	1	100 mm	2307323
			FCS	2000 mm			8 mm	1	100 mm	2307327
		Milling drum	Standard	2200 mm			15 mm	1	330 mm	2307330



MILLING DRUM										
Series code	Serial code	Part	Milling drum variant	Milling width	Milling width without outlet	Milling width outlet	Line spacing	Number of tool operations per revolution	Maximum milling depth	Part no.
W 200	1220	Milling drum	FCS	2200 mm			25 mm	1	330 mm	2307332
			FCS	2200 mm			18 mm	1	330 mm	2307333
			Standard	1500 mm			15 mm	1	310 mm	2307338
			FCS	2000 mm			15 mm	1	330 mm	2307326
			FCS	2200 mm			15 mm	1	330 mm	2370389
			FCS	2000 mm			25 mm	1	330 mm	2307324
			Standard	2000 mm			15 mm	1	330 mm	2307322
			Standard	2000 mm			18 mm	1	330 mm	2307321
			Standard	2000 mm			25 mm	1	330 mm	2307320
			FCS	2000 mm			18 mm	1	330 mm	2307325
W 200i	1420	Fine milling drum	Standard	2000 mm			6 mm	2	30 mm	2112478
			Standard	2000 mm			8 mm	1	100 mm	2307323
			FCS	2000 mm			8 mm	1	100 mm	2307327
			FCS	2200 mm			6 mm	2	30 mm	2119190
			FCS	2200 mm			8 mm	1	100 mm	2307335
			FCS	2000 mm			6 mm	2	30 mm	2112481
		Milling drum	Standard	2200 mm			15 mm	1	330 mm	2307330
			FCS	2200 mm			25 mm	1	330 mm	2307332
			FCS	2200 mm			18 mm	1	330 mm	2307333
			Standard	1500 mm			15 mm	1	310 mm	2307338
			FCS	1200 mm			15 mm	1	310 mm	2307340
			FCS	900 mm			15 mm	1	310 mm	2307341
			FCS	600 mm			15 mm	1	310 mm	2307342
			FCS	2200 mm			15 mm	1	330 mm	2370389
FCS	2000 mm			18 mm	1	330 mm	2307325			

## MILLING DRUM

MILLING DRUM											
Series code	Serial code	Part	Milling drum variant	Milling width	Milling width without outlet	Milling width outlet	Line spacing	Number of tool operations per revolution	Maximum milling depth	Part no.	
W 200i	1420	Milling drum	FCS	2000 mm			25 mm	1	330 mm	2307324	
			Standard	2000 mm			15 mm	1	330 mm	2307322	
			Standard	2000 mm			18 mm	1	330 mm	2307321	
			Standard	2000 mm			25 mm	1	330 mm	2307320	
			FCS	2000 mm			15 mm	1	330 mm	2307326	
W 200 F	2020	Fine milling drum	Standard	2000 mm			6 mm	2	30 mm	2112478	
			MCS-B	2200 mm			6 mm	2	30 mm	2687542	
			Standard	2200 mm			6 mm	2	30 mm	2112500	
			MCS-B	2000 mm			6 mm	2	30 mm	2687539	
			MCS-B	2200 mm			8 mm	1	100 mm	2627263	
			MCS-B	2000 mm			8 mm	1	100 mm	2626331	
			Standard	2200 mm			8 mm	1	100 mm	2307331	
			Standard	2000 mm			8 mm	1	100 mm	2307323	
		Milling drum	Standard	2000 mm				18 mm	1	330 mm	2307321
			MCS-B	2200 mm				15 mm	1	330 mm	2659150
			MCS-B	2000 mm				15 mm	1	330 mm	2616746
			MCS-B	2000 mm				18 mm	1	330 mm	2616748
			MCS-B	2200 mm				18 mm	1	330 mm	2623439
			Standard	2000 mm				15 mm	1	330 mm	2307322
			Standard	2000 mm				25 mm	1	330 mm	2307320
			MCS-B	2000 mm				25 mm	1	330 mm	2630948
			Standard	2200 mm				18 mm	1	330 mm	2307329
			Standard	2200 mm				25 mm	1	330 mm	2307328
			MCS-B	2200 mm				25 mm	1	330 mm	2636948
			Standard	2200 mm				15 mm	1	330 mm	2307330





MILLING DRUM										
Series code	Serial code	Part	Milling drum variant	Milling width	Milling width without outlet	Milling width outlet	Line spacing	Number of tool operations per revolution	Maximum milling depth	Part no.
W 200 F	2020	PCD milling drum	MCS-B	2000 mm			15 mm	1	330 mm	2675764
			MCS-B	2200 mm			15 mm	1	330 mm	2675768
W 200 Fi	2120	Fine milling drum	Standard	2000 mm			6 mm	2	30 mm	2112478
			MCS-B	2200 mm			8 mm	1	100 mm	2627263
			MCS-B	2000 mm			8 mm	1	100 mm	2626331
			Standard	2200 mm			6 mm	2	30 mm	2112500
			Standard	2200 mm			8 mm	1	100 mm	2307331
			Standard	2000 mm			8 mm	1	100 mm	2307323
			Standard	1500 mm			8 mm	1	100 mm	2307339
			MCS-B	2200 mm			6 mm	2	30 mm	2687542
			MCS-B	2000 mm			6 mm	2	30 mm	2687539
			Standard	1500 mm			6 mm	2	30 mm	2139106
		Milling drum	MCS-B	2200 mm			18 mm	1	330 mm	2623439
			MCS-B	2000 mm			18 mm	1	330 mm	2616748
			MCS-B	2000 mm			15 mm	1	330 mm	2616746
			Standard	1500 mm			15 mm	1	330 mm	2307338
			Standard	1500 mm			25 mm	1	330 mm	2307336
			Standard	2200 mm			15 mm	1	330 mm	2307330
			Standard	2200 mm			18 mm	1	330 mm	2307329
			Standard	2200 mm			25 mm	1	330 mm	2307328
			MCS-B	2200 mm			15 mm	1	330 mm	2659150
			MCS-B	2000 mm			25 mm	1	330 mm	2630948
MCS-B	2200 mm			25 mm	1	330 mm	2636948			
Standard	2000 mm			15 mm	1	330 mm	2307322			
Standard	2000 mm			25 mm	1	330 mm	2307320			

## MILLING DRUM

MILLING DRUM												
Series code	Serial code	Part	Milling drum variant	Milling width	Milling width without outlet	Milling width outlet	Line spacing	Number of tool operations per revolution	Maximum milling depth	Part no.		
W 200 Fi	2120	Milling drum	Standard	2000 mm			18 mm	1	330 mm	2307321		
		PCD milling drum	MCS-B	2000 mm			15 mm	1	330 mm	2675764		
			MCS-B	2200 mm			15 mm	1	330 mm	2675768		
W 200 H	1620	Milling drum	Standard	2100 mm			18 mm	1	300 mm	2314417		
			Standard	2100 mm			15 mm	1	300 mm	2314414		
W 200 Hi	1720	Milling drum	Standard	2100 mm			18 mm	1	300 mm	2314417		
			Standard	2100 mm			15 mm	1	300 mm	2314414		
W 205	2520	Fine milling drum	FCS	2000 mm			6 mm	2	30 mm	2112481		
			Standard	2000 mm			8 mm	1	100 mm	2307323		
			FCS	2000 mm			8 mm	1	100 mm	2307327		
			Standard	2000 mm			6 mm	2	30 mm	2112478		
		Milling drum	FCS	2000 mm			15 mm	1	330 mm	2307326		
			FCS	2000 mm			25 mm	1	330 mm	2307324		
			FCS	2000 mm			18 mm	1	330 mm	2307325		
			Standard	2000 mm			15 mm	1	330 mm	2307322		
			Standard	2000 mm			18 mm	1	330 mm	2307321		
			Standard	2000 mm			25 mm	1	330 mm	2307320		
		W 207 Fi	2120	Fine milling drum	MCS-B	2200 mm			6 mm	2	30 mm	2687542
					MCS-B	2000 mm			6 mm	2	30 mm	2687539
Standard	2000 mm						6 mm	2	30 mm	2112478		
Standard	2200 mm						6 mm	2	30 mm	2112500		
Standard	1500 mm						6 mm	2	30 mm	2139106		
Standard	2200 mm						8 mm	1	100 mm	2307331		
Standard	1500 mm						8 mm	1	100 mm	2307339		
MCS-B	2200 mm						8 mm	1	100 mm	2627263		



MILLING DRUM												
Series code	Serial code	Part	Milling drum variant	Milling width	Milling width without outlet	Milling width outlet	Line spacing	Number of tool operations per revolution	Maximum milling depth	Part no.		
W 207 Fi	2120	Fine milling drum	MCS-B	2000 mm			8 mm	1	100 mm	2626331		
			Standard	2000 mm			8 mm	1	100 mm	2307323		
		Milling drum	MCS-B	2000 mm			25 mm	1	330 mm	2630948		
			MCS-B	2200 mm			25 mm	1	330 mm	2636948		
			MCS-B	2200 mm			15 mm	1	330 mm	2659150		
			MCS-B	2200 mm			18 mm	1	330 mm	2623439		
			MCS-B	2000 mm			18 mm	1	330 mm	2616748		
			MCS-B	2000 mm			15 mm	1	330 mm	2616746		
			Standard	1500 mm			15 mm	1	330 mm	2307338		
			Standard	1500 mm			25 mm	1	330 mm	2307336		
			Standard	2200 mm			15 mm	1	330 mm	2307330		
			Standard	2200 mm			18 mm	1	330 mm	2307329		
			Standard	2200 mm			25 mm	1	330 mm	2307328		
			Standard	2000 mm			15 mm	1	330 mm	2307322		
			Standard	2000 mm			25 mm	1	330 mm	2307320		
			Standard	2000 mm			18 mm	1	330 mm	2307321		
			PCD milling drum	MCS-B	2000 mm			15 mm	1	330 mm	2675764	
				MCS-B	2200 mm			15 mm	1	330 mm	2675768	
		W 2100	0921	Fine milling drum	Standard	2100 mm			8 mm	1	100 mm	2338541
					Standard	2000 mm			8 mm	1	100 mm	2338543
Milling drum	Standard			2000 mm			15 mm	1	320 mm	2338542		
	Standard			2100 mm			15 mm	1	320 mm	2338539		
	Standard			2200 mm			15 mm	1	320 mm	2315691		
W 210	1320	Fine milling drum	FCS	2200 mm			6 mm	2	30 mm	2119190		
			FCS	2200 mm			8 mm	1	100 mm	2307335		

## MILLING DRUM

MILLING DRUM										
Series code	Serial code	Part	Milling drum variant	Milling width	Milling width without outlet	Milling width outlet	Line spacing	Number of tool operations per revolution	Maximum milling depth	Part no.
W 210	1320	Fine milling drum	FCS	2000 mm			6 mm	2	30 mm	2112481
			Standard	2000 mm			6 mm	2	30 mm	2112478
			Standard	2000 mm			8 mm	1	100 mm	2307323
			FCS	2000 mm			8 mm	1	100 mm	2307327
		Milling drum	Standard	2200 mm			15 mm	1	330 mm	2307330
			FCS	2200 mm			25 mm	1	330 mm	2307332
			FCS	2200 mm			18 mm	1	330 mm	2307333
			Standard	1500 mm			15 mm	1	310 mm	2307338
			FCS	2000 mm			15 mm	1	330 mm	2307326
			FCS	2200 mm			15 mm	1	330 mm	2370389
			FCS	2000 mm			25 mm	1	330 mm	2307324
			Standard	2000 mm			15 mm	1	330 mm	2307322
			Standard	2000 mm			18 mm	1	330 mm	2307321
			Standard	2000 mm			25 mm	1	330 mm	2307320
			FCS	2000 mm			18 mm	1	330 mm	2307325
W 210i	1520	Fine milling drum	Standard	2000 mm			6 mm	2	30 mm	2112478
			FCS	2000 mm			6 mm	2	30 mm	2112481
			FCS	2200 mm			8 mm	1	100 mm	2307335
			Standard	2000 mm			8 mm	1	100 mm	2307323
			FCS	2000 mm			8 mm	1	100 mm	2307327
			FCS	2200 mm			6 mm	2	30 mm	2119190
		Milling drum	Standard	2000 mm			25 mm	1	330 mm	2307320
			Standard	2000 mm			18 mm	1	330 mm	2307321
			Standard	2000 mm			15 mm	1	330 mm	2307322
			FCS	2000 mm			25 mm	1	330 mm	2307324



MILLING DRUM										
Series code	Serial code	Part	Milling drum variant	Milling width	Milling width without outlet	Milling width outlet	Line spacing	Number of tool operations per revolution	Maximum milling depth	Part no.
W 210i	1520	Milling drum	FCS	2000 mm			18 mm	1	330 mm	2307325
			FCS	2000 mm			15 mm	1	330 mm	2307326
			Standard	2200 mm			15 mm	1	330 mm	2307330
			FCS	2200 mm			25 mm	1	330 mm	2307332
			FCS	2200 mm			18 mm	1	330 mm	2307333
			Standard	1500 mm			15 mm	1	310 mm	2307338
			FCS	1200 mm			15 mm	1	310 mm	2307340
			FCS	900 mm			15 mm	1	310 mm	2307341
			FCS	600 mm			15 mm	1	310 mm	2307342
			FCS	2200 mm			15 mm	1	330 mm	2370389
W 210 Fi	2320	Fine milling drum	Standard	2000 mm			6 mm	2	30 mm	2112478
			MCS-B	2000 mm			8 mm	1	100 mm	2626331
			MCS-B	2200 mm			6 mm	2	30 mm	2687542
			MCS-B	2000 mm			6 mm	2	30 mm	2687539
			Standard	2200 mm			8 mm	1	100 mm	2307331
			Standard	2000 mm			8 mm	1	100 mm	2307323
			MCS-B	2200 mm			8 mm	1	100 mm	2627263
			MCS-B	2500 mm			8 mm	1	100 mm	2627265
			Standard	2200 mm			6 mm	2	30 mm	2112500
		Milling drum	MCS-B	2500 mm			25 mm	1	330 mm	2687543
			MCS-B	2200 mm			15 mm	1	330 mm	2659150
			MCS-B	2200 mm			25 mm	1	330 mm	2636948
			MCS-B	2000 mm			25 mm	1	330 mm	2630948
			MCS-B	2000 mm			18 mm	1	330 mm	2616748
			MCS-B	2200 mm			18 mm	1	330 mm	2623439

## MILLING DRUM

MILLING DRUM										
Series code	Serial code	Part	Milling drum variant	Milling width	Milling width without outlet	Milling width outlet	Line spacing	Number of tool operations per revolution	Maximum milling depth	Part no.
W 210 Fi	2320	Milling drum	MCS-B	2500 mm			18 mm	1	330 mm	2624427
			MCS-B	2000 mm			15 mm	1	330 mm	2616746
			Standard	2200 mm			15 mm	1	330 mm	2307330
			Standard	2000 mm			25 mm	1	330 mm	2307320
			Standard	2000 mm			18 mm	1	330 mm	2307321
			Standard	2000 mm			15 mm	1	330 mm	2307322
			Standard	2200 mm			25 mm	1	330 mm	2307328
		Standard	2200 mm			18 mm	1	330 mm	2307329	
		PCD milling drum	MCS-B	2200 mm			15 mm	1	330 mm	2675768
			MCS-B	2000 mm			15 mm	1	330 mm	2675764
MCS-B	2500 mm				18 mm	1	330 mm	2675788		
W 210 XP	2420	Fine milling drum	FCS	2000 mm			8 mm	1	100 mm	2307327
			Standard	2000 mm			6 mm	2	30 mm	2112478
			FCS	2200 mm			8 mm	1	100 mm	2307335
			FCS	2000 mm			6 mm	2	30 mm	2112481
			FCS	2200 mm			6 mm	2	30 mm	2119190
			Standard	2000 mm			8 mm	1	100 mm	2307323
		Milling drum	FCS	2200 mm			25 mm	1	330 mm	2307332
			FCS	2200 mm			18 mm	1	330 mm	2307333
			Standard	1500 mm			15 mm	1	310 mm	2307338
			FCS	2200 mm			15 mm	1	330 mm	2370389
			Standard	2200 mm			15 mm	1	330 mm	2307330
			FCS	2000 mm			18 mm	1	330 mm	2307325
			FCS	2000 mm			25 mm	1	330 mm	2307324
Standard	2000 mm			15 mm	1	330 mm	2307322			



MILLING DRUM										
Series code	Serial code	Part	Milling drum variant	Milling width	Milling width without outlet	Milling width outlet	Line spacing	Number of tool operations per revolution	Maximum milling depth	Part no.
W 210 XP	2420	Milling drum	Standard	2000 mm			18 mm	1	330 mm	2307321
			Standard	2000 mm			25 mm	1	330 mm	2307320
			FCS	2000 mm			15 mm	1	330 mm	2307326
W 215	1920	Fine milling drum	FCS	2000 mm			8 mm	1	100 mm	2307327
			Standard	2000 mm			8 mm	1	100 mm	2307323
			FCS	2000 mm			6 mm	2	30 mm	2112481
			Standard	2000 mm			6 mm	2	30 mm	2112478
		Milling drum	FCS	2000 mm			25 mm	1	330 mm	2307324
			Standard	2000 mm			15 mm	1	330 mm	2307322
			Standard	2000 mm			18 mm	1	330 mm	2307321
			FCS	2000 mm			18 mm	1	330 mm	2307325
			FCS	2000 mm			15 mm	1	330 mm	2307326
			Standard	2000 mm			25 mm	1	330 mm	2307320
W 2200	0821	Milling drum	Standard	2200 mm			15 mm	1	350 mm	2300231
			FCS	2200 mm			15 mm	1	350 mm	2317660
			FCS	2500 mm			15 mm	1	350 mm	2317661
			FCS	4400 mm			15 mm	1	350 mm	2317666
			FCS	3500 mm			15 mm	1	350 mm	2317664
			FCS	3800 mm			15 mm	1	350 mm	2317665
			FCS	3100 mm			15 mm	1	350 mm	2317663
W 220	0522	Fine milling drum	FCS	2200 mm			6 mm	2	30 mm	2120236
		Milling drum	FCS	2200 mm			25 mm	1	350 mm	2309341
			FCS	2200 mm			15 mm	1	350 mm	2309353
			FCS	2500 mm			15 mm	1	350 mm	2440591

## MILLING DRUM

MILLING DRUM										
Series code	Serial code	Part	Milling drum variant	Milling width	Milling width without outlet	Milling width outlet	Line spacing	Number of tool operations per revolution	Maximum milling depth	Part no.
W 220	0522	Milling drum	FCS	2200 mm			18 mm	1	350 mm	2309362
			FCS	2200 mm			15 mm	1	350 mm	2317660
			FCS	2500 mm			15 mm	1	350 mm	2317661
			Standard	2200 mm			15 mm	1	350 mm	2300231
			FCS	2200 mm			8 mm	1	100 mm	2309358
W 220i	0722	Fine milling drum	FCS	2200 mm			6 mm	2	30 mm	2120236
		Milling drum	FCS	2200 mm			25 mm	1	350 mm	2309341
			FCS	2200 mm			15 mm	1	350 mm	2309353
			FCS	2500 mm			15 mm	1	350 mm	2440591
			FCS	2200 mm			18 mm	1	350 mm	2309362
			FCS	2200 mm			15 mm	1	350 mm	2317660
			FCS	2500 mm			15 mm	1	350 mm	2317661
			Standard	2200 mm			15 mm	1	350 mm	2300231
FCS	2200 mm			8 mm	1	100 mm	2309358			
W 250	0422	Fine milling drum	FCS	2200 mm			6 mm	2	30 mm	2120236
		Milling drum	FCS	2200 mm			25 mm	1	350 mm	2309341
			FCS	2200 mm			15 mm	1	350 mm	2309353
			FCS	2200 mm			8 mm	1	100 mm	2309358
			FCS	4400 mm			15 mm	1	350 mm	2317666
			FCS	2200 mm			15 mm	1	350 mm	2317660
			FCS	2500 mm			15 mm	1	350 mm	2317661
			FCS	3100 mm			15 mm	1	350 mm	2317663
FCS	3500 mm			15 mm	1	350 mm	2317664			





MILLING DRUM										
Series code	Serial code	Part	Milling drum variant	Milling width	Milling width without outlet	Milling width outlet	Line spacing	Number of tool operations per revolution	Maximum milling depth	Part no.
W 250	0422	Milling drum	FCS	3800 mm			15 mm	1	350 mm	2317665
			Standard	2200 mm			15 mm	1	350 mm	2300231
			FCS	2200 mm			18 mm	1	350 mm	2309362
W 250i	0622	Fine milling drum	FCS	2200 mm			6 mm	2	30 mm	2120236
		Milling drum	FCS	2200 mm			25 mm	1	350 mm	2309341
			FCS	2200 mm			15 mm	1	350 mm	2309353
			FCS	2200 mm			8 mm	1	100 mm	2309358
			FCS	4400 mm			15 mm	1	350 mm	2317666
			FCS	2200 mm			15 mm	1	350 mm	2317660
			FCS	2500 mm			15 mm	1	350 mm	2317661
			FCS	3100 mm			15 mm	1	350 mm	2317663
			FCS	3500 mm			15 mm	1	350 mm	2317664
			FCS	3800 mm			15 mm	1	350 mm	2317665
			Standard	2200 mm			15 mm	1	350 mm	2300231
			FCS	2200 mm			18 mm	1	350 mm	2309362
WS 220	02AS	Milling drum	Standard	2150 mm			40 mm	1	500 mm	2314423
WS 250	02AS	Milling drum	Standard	2500 mm			40 mm	1	500 mm	2314429
WR 2000	03WR	<b>DURAF-ORCE</b> milling/mixing rotor	Standard	2000 mm			20 mm	1	500 mm	2338550
WR 200	06WR	<b>DURAF-ORCE</b> milling/mixing rotor	Standard	2000 mm			20 mm	1	510 mm	2339558
			Standard	2000 mm			20 mm	1	510 mm	2339557

## MILLING DRUM

MILLING DRUM										
Series code	Serial code	Part	Milling drum variant	Milling width	Milling width without outlet	Milling width outlet	Line spacing	Number of tool operations per revolution	Maximum milling depth	Part no.
WR 200i	09WR	DURAF-ORCE milling/mixing rotor	Standard	2000 mm			20 mm	1	510 mm	2339558
			Standard	2000 mm			20 mm	1	510 mm	2339557
WR 2400	05WR	DURAF-ORCE milling/mixing rotor	Standard	2400 mm			20 mm	1	500 mm	2338552
WR 240	07WR	DURAF-ORCE milling/mixing rotor	Standard	2400 mm			20 mm	1	510 mm	2314437
			Standard	2400 mm			20 mm	1	510 mm	2314434
WR 240i	10WR	DURAF-ORCE milling/mixing rotor	Standard	2400 mm			20 mm	1	510 mm	2314437
			Standard	2400 mm			20 mm	1	510 mm	2314434
WR 2500 S	04WR	DURAF-ORCE milling/mixing rotor	Standard	2438 mm			30 mm	2	500 mm	2341964
			Standard	3048 mm			37 mm	2	500 mm	2338553
WR 250	08WR	DURAF-ORCE milling/mixing rotor	Standard	2400 mm			30 mm	2	560 mm	2314513
			Standard	2400 mm			30 mm	2	560 mm	2314518
WR 250i	11WR	DURAF-ORCE milling/mixing rotor	Standard	2400 mm			30 mm	2	560 mm	2314518
			Standard	2400 mm			30 mm	2	560 mm	2314513
W 240 CR	03CR	DC milling drum		3200 mm			15 mm	1	330 mm	2701514
				3500 mm			15 mm	1	330 mm	2701518
				3800 mm			15 mm	1	330 mm	2701525



MILLING DRUM										
Series code	Serial code	Part	Milling drum variant	Milling width	Milling width without outlet	Milling width outlet	Line spacing	Number of tool operations per revolution	Maximum milling depth	Part no.
W 240 CR	03CR	UC/DC milling drum	Standard	3800 mm			15 mm	1	330 mm	2315042
			Standard	2350 mm			15 mm	1	330 mm	2573810
W 240 CRi	04CR	DC milling drum		3800 mm			15 mm	1	330 mm	2701525
				3200 mm			15 mm	1	330 mm	2701514
				3500 mm			15 mm	1	330 mm	2701518
		UC/DC milling drum	Standard	2350 mm			15 mm	1	330 mm	2573810
			Standard	3800 mm			15 mm	1	330 mm	2315042
W 380 CR	03CR	DC milling drum		3500 mm			15 mm	1	330 mm	2701518
				3800 mm			15 mm	1	330 mm	2701525
				3200 mm			15 mm	1	330 mm	2701514
		UC/DC milling drum	Standard	3800 mm			15 mm	1	330 mm	2315042
			Standard	2350 mm			15 mm	1	330 mm	2573810
W 380 CRi	04CR	DC milling drum		3200 mm			15 mm	1	330 mm	2701514
				3500 mm			15 mm	1	330 mm	2701518
				3800 mm			15 mm	1	330 mm	2701525
		UC/DC milling drum	Standard	3800 mm			15 mm	1	330 mm	2315042
			Standard	2350 mm			15 mm	1	330 mm	2573810
2200 SM	0821	Milling drum	Standard	2200 mm			38 mm	1	300 mm	2143830
			Standard	2200 mm			76 mm	1	300 mm	2143829
			Standard	3800 mm			50 mm	1	300 mm	2045386
			Standard	2200 mm			76 mm	1	300 mm	141663
			Standard	2200 mm			38 mm	1	300 mm	127333
220 SM	0822	Milling drum	Standard	3800 mm			50 mm	1	350 mm	2535491
			Standard	2200 mm			75 mm	1	350 mm	2570768
			Standard	2200 mm			50 mm	1	350 mm	2535495

**MILLING DRUM**

MILLING DRUM										
Series code	Serial code	Part	Milling drum variant	Milling width	Milling width without outlet	Milling width outlet	Line spacing	Number of tool operations per revolution	Maximum milling depth	Part no.
220 SM	0822	Milling drum	Standard	3800 mm			75 mm	1	350 mm	2569952
220 SM 3.8	0822	Milling drum	Standard	2200 mm			75 mm	1	350 mm	2570768
			Standard	2200 mm			50 mm	1	350 mm	2535495
			Standard	3800 mm			75 mm	1	350 mm	2569952
			Standard	3800 mm			50 mm	1	350 mm	2535491
220 SMi	0922	Milling drum	Standard	3800 mm			75 mm	1	350 mm	2569952
			Standard	3800 mm			50 mm	1	350 mm	2535491
			Standard	2200 mm			50 mm	1	350 mm	2535495
			Standard	2200 mm			75 mm	1	350 mm	2570768
220 SMi 3.8	0922	Milling drum	Standard	2200 mm			50 mm	1	350 mm	2535495
			Standard	3800 mm			75 mm	1	350 mm	2569952
			Standard	2200 mm			75 mm	1	350 mm	2570768
			Standard	3800 mm			50 mm	1	350 mm	2535491



# UNDERCARRIAGE CRAWLER DRIVE



WIRTGEN crawler units are designed to safely TRANSLATED the drive system power into forceful forward motion for the milling process, even in the tough conditions found day to day on the construction site.

The shape and dimensions of all the parts have been precisely tailored to the chain for reliable power transmission and high-precision tracking. The materials used guarantee a long service life and a high degree of functional reliability.



> Read more online

## DRIVE SPROCKETS

Our precision-fit drive sprockets made of hardened, highly wear-resistant cast steel ensure that power is optimally transmitted to the WIRTGEN crawler undercarriages, which is converted into high-traction forward motion.



DRIVE SPROCKETS					
Series code	Serial code	Series range	Track pad system	Crawler size	Part no.
W 100 Fi	2710	1 - 9999	EPS <b>PLUS</b> ; Poly Grip; EPS <b>PLUS</b> bolt on	W1	2555933
W 1000 F	0710	8 - 9999	EPS <b>PLUS</b> ; Poly Grip; EPS <b>PLUS</b> bolt on	W1	2555933
W 100 F	0810	1 - 9999	EPS <b>PLUS</b> ; Poly Grip; EPS <b>PLUS</b> bolt on	W1	2555933

# UNDERCARRIAGE CRAWLER DRIVE

DRIVE SPROCKETS					
Series code	Serial code	Series range	Track pad system	Crawler size	Part no.
W 100 Fi	1310	1 - 9999	EPS <b>PLUS</b> ; Poly Grip; EPS <b>PLUS</b> bolt on	W1	2555933
W 100 CF	1710	1 - 9999	EPS <b>PLUS</b> ; Poly Grip; EPS <b>PLUS</b> bolt on	W1	2555933
W 100 CFi	1810	1 - 9999	EPS <b>PLUS</b> ; Poly Grip; EPS <b>PLUS</b> bolt on	W1	2555933
W 100 XFi	1810	1 - 9999	EPS <b>PLUS</b> ; Poly Grip; EPS <b>PLUS</b> bolt on	W1	2555933
W 1200 F	0710	1 - 9999	EPS <b>PLUS</b> ; Poly Grip; EPS <b>PLUS</b> bolt on	W1	2555933
W 120 F	0810	1 - 9999	EPS <b>PLUS</b> ; Poly Grip; EPS <b>PLUS</b> bolt on	W1	2555933
W 120 Fi	1310	1 - 9999	EPS <b>PLUS</b> ; Poly Grip; EPS <b>PLUS</b> bolt on	W1	2555933
W 120 CF	1710	1 - 9999	EPS <b>PLUS</b> ; Poly Grip; EPS <b>PLUS</b> bolt on	W1	2555933
W 120 CFi	1810	1 - 9999	EPS <b>PLUS</b> ; Poly Grip; EPS <b>PLUS</b> bolt on	W1	2555933
W 120 XTi	1810	1 - 9999	EPS <b>PLUS</b> ; Poly Grip; EPS <b>PLUS</b> bolt on	W1	2555933
W 120 XFi	1810	1 - 9999	EPS <b>PLUS</b> ; Poly Grip; EPS <b>PLUS</b> bolt on	W1	2555933
W 120 Fi	2710	1 - 9999	EPS <b>PLUS</b> ; Poly Grip; EPS <b>PLUS</b> bolt on	W1	2555933
W 120 FTi	2710	1 - 9999	EPS <b>PLUS</b> ; Poly Grip; EPS <b>PLUS</b> bolt on	W1	2555933
W 1300 F	0710	1 - 9999	EPS <b>PLUS</b> ; Poly Grip; EPS <b>PLUS</b> bolt on	W1	2555933
W 130 F	0810	1 - 9999	EPS <b>PLUS</b> ; Poly Grip; EPS <b>PLUS</b> bolt on	W1	2555933
W 130 Fi	1310	1 - 9999	EPS <b>PLUS</b> ; Poly Grip; EPS <b>PLUS</b> bolt on	W1	2555933
W 130 CF	1710	1 - 9999	EPS <b>PLUS</b> ; Poly Grip; EPS <b>PLUS</b> bolt on	W1	2555933
W 130 CFi	1810	1 - 9999	EPS <b>PLUS</b> ; Poly Grip; EPS <b>PLUS</b> bolt on	W1	2555933
W 130 XFi	1810	1 - 9999	EPS <b>PLUS</b> ; Poly Grip; EPS <b>PLUS</b> bolt on	W1	2555933
W 130 Fi	2710	1 - 9999	EPS <b>PLUS</b> ; Poly Grip; EPS <b>PLUS</b> bolt on	W1	2555933
W 1500	0820	1 - 9999	EPS <b>PLUS</b> ; Poly Grip; EPS <b>PLUS</b> bolt on	W1	2555933
W 150	0513	1 - 9999	EPS <b>PLUS</b> ; Poly Grip; EPS <b>PLUS</b> bolt on	W1	2555933
W 150i	0613	1 - 9999	EPS <b>PLUS</b> ; Poly Grip; EPS <b>PLUS</b> bolt on	W1	2555933
W 150 CF	0713	1 - 9999	EPS <b>PLUS</b> ; Poly Grip; EPS <b>PLUS</b> bolt on	W1	2555933
W 150 CFi	0813	1 - 9999	EPS <b>PLUS</b> ; Poly Grip; EPS <b>PLUS</b> bolt on	W1	2555933
W 150 XFi	0813	1 - 9999	EPS <b>PLUS</b> ; Poly Grip; EPS <b>PLUS</b> bolt on	W1	2555933



DRIVE SPROCKETS					
Series code	Serial code	Series range	Track pad system	Crawler size	Part no.
W 1900	0820, 0920, 1020	1 - 9999	EPS <b>PLUS</b> ; Poly Grip; EPS <b>PLUS</b> bolt on	W1	2555933
W 195	1820	1 - 9999	EPS <b>PLUS</b> ; Poly Grip; EPS <b>PLUS</b> bolt on	W1	2555933
W 2000	0620	1 - 9999	EPS <b>PLUS</b> ; Poly Grip; EPS <b>PLUS</b> bolt on	W2	121234
	1120	1 - 9999	EPS <b>PLUS</b> ; Poly Grip; EPS <b>PLUS</b> bolt on	W3	121234
W 200	1220	1 - 9999	EPS <b>PLUS</b> ; Poly Grip; EPS <b>PLUS</b> bolt on	W1	2555933
W 200i	1420	1 - 9999	EPS <b>PLUS</b> ; Poly Grip; EPS <b>PLUS</b> bolt on	W1	2555933
W 200 F	2020	1 - 9999	EPS <b>PLUS</b> ; Poly Grip; EPS <b>PLUS</b> bolt on	W1	2555933
W 200 Fi	2120	1 - 9999	EPS <b>PLUS</b> ; Poly Grip; EPS <b>PLUS</b> bolt on	W1	2555933
W 200 H	1620	1 - 9999	EPS <b>PLUS</b> ; Poly Grip; EPS <b>PLUS</b> bolt on	W1	2555933
W 200 Hi	1720	1 - 9999	EPS <b>PLUS</b> ; Poly Grip; EPS <b>PLUS</b> bolt on	W1	2555933
W 205	2520	88 - 9999	EPS <b>PLUS</b> ; Poly Grip; EPS <b>PLUS</b> bolt on	W2	121234
W 207 Fi	2120	1 - 9999	EPS <b>PLUS</b> ; Poly Grip; EPS <b>PLUS</b> bolt on	W1	2555933
			EPS <b>PLUS</b> ; Poly Grip; EPS <b>PLUS</b> bolt on	W3	121234
W 2100	0921	1 - 9999	EPS <b>PLUS</b> ; Poly Grip; EPS <b>PLUS</b> bolt on	W3	41346
W 210	1320	1 - 9999	EPS <b>PLUS</b> ; Poly Grip; EPS <b>PLUS</b> bolt on	W2	121234
W 210i	1520	1 - 9999	EPS <b>PLUS</b> ; Poly Grip; EPS <b>PLUS</b> bolt on	W2	121234
W 210 Fi	2320	1 - 9999	EPS <b>PLUS</b> ; Poly Grip; EPS <b>PLUS</b> bolt on	W2	121234
W 210 XP	2420	1 - 9999	EPS <b>PLUS</b> ; Poly Grip; EPS <b>PLUS</b> bolt on	W2	121234
W 215	1920	88 - 9999	EPS <b>PLUS</b> ; Poly Grip; EPS <b>PLUS</b> bolt on	W2	121234
W 2200	0821	1 - 9999	EPS <b>PLUS</b> ; Poly Grip; EPS <b>PLUS</b> bolt on	W5	133013
W 220	0522	1 - 9999	EPS <b>PLUS</b> ; Poly Grip; EPS <b>PLUS</b> bolt on	W4	41346
W 220i	0722	1 - 9999	EPS <b>PLUS</b> ; Poly Grip; EPS <b>PLUS</b> bolt on	W3	41346
W 220 Fi	1122	1 - 9999	EPS <b>PLUS</b> ; Poly Grip; EPS <b>PLUS</b> bolt on	W4	41346
W 250	0422	3 - 9999	EPS <b>PLUS</b> ; Poly Grip; EPS <b>PLUS</b> bolt on	W5	133013
W 250i	0622	1 - 9999	EPS <b>PLUS</b> ; Poly Grip; EPS <b>PLUS</b> bolt on	W5	133013
W 250 Fi	1322	1 - 9999	EPS <b>PLUS</b> ; Poly Grip; EPS <b>PLUS</b> bolt on	W5	133013

# UNDERCARRIAGE CRAWLER DRIVE

DRIVE SPROCKETS					
Series code	Serial code	Series range	Track pad system	Crawler size	Part no.
2200 CR	0821	1 - 9999	EPS <b>PLUS</b> ; Poly Grip; EPS <b>PLUS</b> bolt on	W5	133013
W 240 CR	03CR	1 - 9999	EPS <b>PLUS</b> ; Poly Grip; EPS <b>PLUS</b> bolt on	W5	133013
W 240 CRi	04CR	1 - 9999	EPS <b>PLUS</b> ; Poly Grip; EPS <b>PLUS</b> bolt on	W5	133013
W 380 CR	03CR	1 - 9999	EPS <b>PLUS</b> ; Poly Grip; EPS <b>PLUS</b> bolt on	W5	133013
W 380 CRi	04CR	1 - 9999	EPS <b>PLUS</b> ; Poly Grip; EPS <b>PLUS</b> bolt on	W5	133013
SP 150	09SP	1 - 9999	EPS <b>PLUS</b> ; Poly Grip; EPS <b>PLUS</b> bolt on	W1	2555933
SP 15	12SP	1 - 9999	EPS <b>PLUS</b> ; Poly Grip; EPS <b>PLUS</b> bolt on	W1	2555933
SP 15i	14SP	1 - 9999	EPS <b>PLUS</b> ; Poly Grip; EPS <b>PLUS</b> bolt on	W1	2555933
SP 250	08SP	1 - 9999	EPS <b>PLUS</b> ; Poly Grip; EPS <b>PLUS</b> bolt on	W0	120586
SP 25	13SP	1 - 172	EPS <b>PLUS</b> ; Poly Grip; EPS <b>PLUS</b> bolt on	W0	120586
		173 - 9999	EPS <b>PLUS</b> ; Poly Grip; EPS <b>PLUS</b> bolt on	W1	2553365
SP 25i	15SP	1 - 1061	EPS <b>PLUS</b> ; Poly Grip; EPS <b>PLUS</b> bolt on	W0	120586
		1 - 9999	EPS <b>PLUS</b> ; Poly Grip; EPS <b>PLUS</b> bolt on	W1	2553365
SP 500	10SP	1 - 9999	EPS <b>PLUS</b> ; Poly Grip; EPS <b>PLUS</b> bolt on	W0	120586
2200 SM	0821	740 - 9999	EPS <b>PLUS</b> ; Poly Grip; EPS <b>PLUS</b> bolt on	W5	2416655





## TRACK PADS

WIRTGEN offers different types of track pads so that you, as the customer, can select your preferred bolting type. Regardless of your choice, all WIRTGEN track pads provide reliable traction on a wide variety of surfaces and also prevent possible damage to the asphalt pavement. You can never go wrong with genuine track pads from WIRTGEN.



WIRTGEN



TRACK PADS							
Series code	Serial code	Part	Track pad system	Packaging unit	Crawler size	Track pads per crawler unit	Part no.
W 100 Fi	2710	Baseplate	EPS <b>PLUS</b> ; EPS <b>PLUS</b> bolt on	1 pc.	W1	20 pc.	2063489
		For track pads (incl. nuts)	EPS <b>PLUS</b> bolt on	1 pc.	W1	20 pc.	2615388
		Nut set for pads	EPS <b>PLUS</b> bolt on	100 pc.	W1	20 pc.	2908516
		Pad	EPS <b>PLUS</b>	1 pc.	W1	20 pc.	2411111
		Pad bolt on	EPS <b>PLUS</b> bolt on	1 pc.	W1	20 pc.	2650002
		Set of bolts for pads.	EPS <b>PLUS</b>	100 pc.	W1	20 pc.	2103002
		Bolt set for track pads (incl. nuts)	EPS <b>PLUS</b> ; EPS <b>PLUS</b> bolt on	100 pc.	W1	20 pc.	2064533
W 1000 F	0710	Baseplate	EPS <b>PLUS</b> ; EPS <b>PLUS</b> bolt on	1 pc.	W1	20 pc.	2063489
		Track pad	Poly Grip	1 pc.	W1	20 pc.	150740
		Nut	Poly Grip	1 pc.	W1	20 pc.	18502
		For track pads (incl. nuts)	EPS <b>PLUS</b> bolt on	1 pc.	W1	20 pc.	2615388
		Nut set for pads	EPS <b>PLUS</b> bolt on	100 pc.	W1	20 pc.	2908516
		Pad	EPS <b>PLUS</b>	1 pc.	W1	20 pc.	2411111
		Pad bolt on	EPS <b>PLUS</b> bolt on	1 pc.	W1	20 pc.	2650002
		Bolt	Poly Grip	1 pc.	W1	20 pc.	18501
		Set of bolts for pads.	EPS <b>PLUS</b>	100 pc.	W1	20 pc.	2103002
		Bolt set for track pads (incl. nuts)	EPS <b>PLUS</b> ; EPS <b>PLUS</b> bolt on	100 pc.	W1	20 pc.	2064533
		W 100 F	0810	Baseplate	EPS <b>PLUS</b> ; EPS <b>PLUS</b> bolt on	1 pc.	W1
Track pad	Poly Grip			1 pc.	W1	20 pc.	150740
Nut	Poly Grip			1 pc.	W1	20 pc.	18502

# UNDERCARRIAGE CRAWLER DRIVE

TRACK PADS							
Series code	Serial code	Part	Track pad system	Packaging unit	Crawler size	Track pads per crawler unit	Part no.
W 100 F	0810	For track pads (incl. nuts)	EPS <b>PLUS</b> bolt on	1 pc.	W1	20 pc.	2615388
		Nut set for pads	EPS <b>PLUS</b> bolt on	100 pc.	W1	20 pc.	2908516
		Pad	EPS <b>PLUS</b>	1 pc.	W1	20 pc.	2411111
		Pad bolt on	EPS <b>PLUS</b> bolt on	1 pc.	W1	20 pc.	2650002
		Bolt	Poly Grip	1 pc.	W1	20 pc.	18501
		Set of bolts for pads.	EPS <b>PLUS</b>	100 pc.	W1	20 pc.	2103002
		Bolt set for track pads (incl. nuts)	EPS <b>PLUS</b> ; EPS <b>PLUS</b> bolt on	100 pc.	W1	20 pc.	2064533
W 100 Fi	1310	Baseplate	EPS <b>PLUS</b> ; EPS <b>PLUS</b> bolt on	1 pc.	W1	20 pc.	2063489
		Track pad	Poly Grip	1 pc.	W1	20 pc.	150740
		Nut	Poly Grip	1 pc.	W1	20 pc.	18502
		For track pads (incl. nuts)	EPS <b>PLUS</b> bolt on	1 pc.	W1	20 pc.	2615388
		Nut set for pads	EPS <b>PLUS</b> bolt on	100 pc.	W1	20 pc.	2908516
		Pad	EPS <b>PLUS</b>	1 pc.	W1	20 pc.	2411111
		Pad bolt on	EPS <b>PLUS</b> bolt on	1 pc.	W1	20 pc.	2650002
		Bolt	Poly Grip	1 pc.	W1	20 pc.	18501
		Set of bolts for pads.	EPS <b>PLUS</b>	100 pc.	W1	20 pc.	2103002
		Bolt set for track pads (incl. nuts)	EPS <b>PLUS</b> ; EPS <b>PLUS</b> bolt on	100 pc.	W1	20 pc.	2064533
W 100 CF	1710	Baseplate	EPS <b>PLUS</b> ; EPS <b>PLUS</b> bolt on	1 pc.	W1	20 pc.	2063489
		For track pads (incl. nuts)	EPS <b>PLUS</b> bolt on	1 pc.	W1	20 pc.	2615388
		Nut set for pads	EPS <b>PLUS</b> bolt on	100 pc.	W1	20 pc.	2908516
		Pad	EPS <b>PLUS</b>	1 pc.	W1	20 pc.	2411111
		Pad bolt on	EPS <b>PLUS</b> bolt on	1 pc.	W1	20 pc.	2650002
		Set of bolts for pads.	EPS <b>PLUS</b>	100 pc.	W1	20 pc.	2103002
		Bolt set for track pads (incl. nuts)	EPS <b>PLUS</b> ; EPS <b>PLUS</b> bolt on	100 pc.	W1	20 pc.	2064533
W 100 CFi	1810	Baseplate	EPS <b>PLUS</b> ; EPS <b>PLUS</b> bolt on	1 pc.	W1	20 pc.	2063489
		For track pads (incl. nuts)	EPS <b>PLUS</b> bolt on	1 pc.	W1	20 pc.	2615388



TRACK PADS							
Series code	Serial code	Part	Track pad system	Packaging unit	Crawler size	Track pads per crawler unit	Part no.
W 100 CFi	1810	Nut set for pads	EPS <b>PLUS</b> bolt on	100 pc.	W1	20 pc.	2908516
		Pad	EPS <b>PLUS</b>	1 pc.	W1	20 pc.	2411111
		Pad bolt on	EPS <b>PLUS</b> bolt on	1 pc.	W1	20 pc.	2650002
		Set of bolts for pads.	EPS <b>PLUS</b>	100 pc.	W1	20 pc.	2103002
		Bolt set for track pads (incl. nuts)	EPS <b>PLUS</b> ; EPS <b>PLUS</b> bolt on	100 pc.	W1	20 pc.	2064533
W 100 XFi	1810	Baseplate	EPS <b>PLUS</b> ; EPS <b>PLUS</b> bolt on	1 pc.	W1	20 pc.	2063489
		For track pads (incl. nuts)	EPS <b>PLUS</b> bolt on	1 pc.	W1	20 pc.	2615388
		Nut set for pads	EPS <b>PLUS</b> bolt on	100 pc.	W1	20 pc.	2908516
		Pad	EPS <b>PLUS</b>	1 pc.	W1	20 pc.	2411111
		Pad bolt on	EPS <b>PLUS</b> bolt on	1 pc.	W1	20 pc.	2650002
		Set of bolts for pads.	EPS <b>PLUS</b>	100 pc.	W1	20 pc.	2103002
		Bolt set for track pads (incl. nuts)	EPS <b>PLUS</b> ; EPS <b>PLUS</b> bolt on	100 pc.	W1	20 pc.	2064533
W 1200 F	0710	Baseplate	EPS <b>PLUS</b> ; EPS <b>PLUS</b> bolt on	1 pc.	W1	20 pc.	2063489
		Track pad	Poly Grip	1 pc.	W1	20 pc.	150740
		Nut	Poly Grip	1 pc.	W1	20 pc.	18502
		For track pads (incl. nuts)	EPS <b>PLUS</b> bolt on	1 pc.	W1	20 pc.	2615388
		Nut set for pads	EPS <b>PLUS</b> bolt on	100 pc.	W1	20 pc.	2908516
		Pad	EPS <b>PLUS</b>	1 pc.	W1	20 pc.	2411111
		Pad bolt on	EPS <b>PLUS</b> bolt on	1 pc.	W1	20 pc.	2650002
		Bolt	Poly Grip	1 pc.	W1	20 pc.	18501
		Set of bolts for pads.	EPS <b>PLUS</b>	100 pc.	W1	20 pc.	2103002
		Bolt set for track pads (incl. nuts)	EPS <b>PLUS</b> ; EPS <b>PLUS</b> bolt on	100 pc.	W1	20 pc.	2064533
W 120 F	0810	Baseplate	EPS <b>PLUS</b> ; EPS <b>PLUS</b> bolt on	1 pc.	W1	20 pc.	2063489
		Track pad	Poly Grip	1 pc.	W1	20 pc.	150740
		Nut	Poly Grip	1 pc.	W1	20 pc.	18502
		For track pads (incl. nuts)	EPS <b>PLUS</b> bolt on	1 pc.	W1	20 pc.	2615388

# UNDERCARRIAGE CRAWLER DRIVE

TRACK PADS							
Series code	Serial code	Part	Track pad system	Packaging unit	Crawler size	Track pads per crawler unit	Part no.
W 120 F	0810	Nut set for pads	EPS <b>PLUS</b> bolt on	100 pc.	W1	20 pc.	2908516
		Pad	EPS <b>PLUS</b>	1 pc.	W1	20 pc.	2411111
		Pad bolt on	EPS <b>PLUS</b> bolt on	1 pc.	W1	20 pc.	2650002
		Bolt	Poly Grip	1 pc.	W1	20 pc.	18501
		Set of bolts for pads.	EPS <b>PLUS</b>	100 pc.	W1	20 pc.	2103002
		Bolt set for track pads (incl. nuts)	EPS <b>PLUS</b> ; EPS <b>PLUS</b> bolt on	100 pc.	W1	20 pc.	2064533
W 120 Fi	1310	Baseplate	EPS <b>PLUS</b> ; EPS <b>PLUS</b> bolt on	1 pc.	W1	20 pc.	2063489
		Track pad	Poly Grip	1 pc.	W1	20 pc.	150740
		Nut	Poly Grip	1 pc.	W1	20 pc.	18502
		For track pads (incl. nuts)	EPS <b>PLUS</b> bolt on	1 pc.	W1	20 pc.	2615388
		Nut set for pads	EPS <b>PLUS</b> bolt on	100 pc.	W1	20 pc.	2908516
		Pad	EPS <b>PLUS</b>	1 pc.	W1	20 pc.	2411111
		Pad bolt on	EPS <b>PLUS</b> bolt on	1 pc.	W1	20 pc.	2650002
		Bolt	Poly Grip	1 pc.	W1	20 pc.	18501
		Set of bolts for pads.	EPS <b>PLUS</b>	100 pc.	W1	20 pc.	2103002
		Bolt set for track pads (incl. nuts)	EPS <b>PLUS</b> ; EPS <b>PLUS</b> bolt on	100 pc.	W1	20 pc.	2064533
W 120 CF	1710	Baseplate	EPS <b>PLUS</b> ; EPS <b>PLUS</b> bolt on	1 pc.	W1	20 pc.	2063489
		For track pads (incl. nuts)	EPS <b>PLUS</b> bolt on	1 pc.	W1	20 pc.	2615388
		Nut set for pads	EPS <b>PLUS</b> bolt on	100 pc.	W1	20 pc.	2908516
		Pad	EPS <b>PLUS</b>	1 pc.	W1	20 pc.	2411111
		Pad bolt on	EPS <b>PLUS</b> bolt on	1 pc.	W1	20 pc.	2650002
		Set of bolts for pads.	EPS <b>PLUS</b>	100 pc.	W1	20 pc.	2103002
W 120 CFi	1810	Baseplate	EPS <b>PLUS</b> ; EPS <b>PLUS</b> bolt on	1 pc.	W1	20 pc.	2063489
		For track pads (incl. nuts)	EPS <b>PLUS</b> bolt on	1 pc.	W1	20 pc.	2615388
		Nut set for pads	EPS <b>PLUS</b> bolt on	100 pc.	W1	20 pc.	2908516



TRACK PADS							
Series code	Serial code	Part	Track pad system	Packaging unit	Crawler size	Track pads per crawler unit	Part no.
W 120 CFi	1810	Pad	EPS <b>PLUS</b>	1 pc.	W1	20 pc.	2411111
		Pad bolt on	EPS <b>PLUS</b> bolt on	1 pc.	W1	20 pc.	2650002
		Set of bolts for pads.	EPS <b>PLUS</b>	100 pc.	W1	20 pc.	2103002
		Bolt set for track pads (incl. nuts)	EPS <b>PLUS</b> ; EPS <b>PLUS</b> bolt on	100 pc.	W1	20 pc.	2064533
W 120 XTi	1810	Baseplate	EPS <b>PLUS</b> ; EPS <b>PLUS</b> bolt on	1 pc.	W1	20 pc.	2063489
		For track pads (incl. nuts)	EPS <b>PLUS</b> bolt on	1 pc.	W1	20 pc.	2615388
		Nut set for pads	EPS <b>PLUS</b> bolt on	100 pc.	W1	20 pc.	2908516
		Pad	EPS <b>PLUS</b>	1 pc.	W1	20 pc.	2411111
		Pad bolt on	EPS <b>PLUS</b> bolt on	1 pc.	W1	20 pc.	2650002
		Set of bolts for pads.	EPS <b>PLUS</b>	100 pc.	W1	20 pc.	2103002
		Bolt set for track pads (incl. nuts)	EPS <b>PLUS</b> ; EPS <b>PLUS</b> bolt on	100 pc.	W1	20 pc.	2064533
W 120 XFi	1810	Baseplate	EPS <b>PLUS</b> ; EPS <b>PLUS</b> bolt on	1 pc.	W1	20 pc.	2063489
		For track pads (incl. nuts)	EPS <b>PLUS</b> bolt on	1 pc.	W1	20 pc.	2615388
		Nut set for pads	EPS <b>PLUS</b> bolt on	100 pc.	W1	20 pc.	2908516
		Pad	EPS <b>PLUS</b>	1 pc.	W1	20 pc.	2411111
		Pad bolt on	EPS <b>PLUS</b> bolt on	1 pc.	W1	20 pc.	2650002
		Set of bolts for pads.	EPS <b>PLUS</b>	100 pc.	W1	20 pc.	2103002
		Bolt set for track pads (incl. nuts)	EPS <b>PLUS</b> ; EPS <b>PLUS</b> bolt on	100 pc.	W1	20 pc.	2064533
W 120 Fi	2710	Baseplate	EPS <b>PLUS</b> ; EPS <b>PLUS</b> bolt on	1 pc.	W1	20 pc.	2063489
		For track pads (incl. nuts)	EPS <b>PLUS</b> bolt on	1 pc.	W1	20 pc.	2615388
		Nut set for pads	EPS <b>PLUS</b> bolt on	100 pc.	W1	20 pc.	2908516
		Pad	EPS <b>PLUS</b>	1 pc.	W1	20 pc.	2411111
		Pad bolt on	EPS <b>PLUS</b> bolt on	1 pc.	W1	20 pc.	2650002
		Set of bolts for pads.	EPS <b>PLUS</b>	100 pc.	W1	20 pc.	2103002
		Bolt set for track pads (incl. nuts)	EPS <b>PLUS</b> ; EPS <b>PLUS</b> bolt on	100 pc.	W1	20 pc.	2064533
W 120 FTi	2710	Baseplate	EPS <b>PLUS</b> ; EPS <b>PLUS</b> bolt on	1 pc.	W1	20 pc.	2063489

# UNDERCARRIAGE CRAWLER DRIVE

TRACK PADS							
Series code	Serial code	Part	Track pad system	Packaging unit	Crawler size	Track pads per crawler unit	Part no.
W 120 FTi	2710	For track pads (incl. nuts)	EPS <b>PLUS</b> bolt on	1 pc.	W1	20 pc.	2615388
		Nut set for pads	EPS <b>PLUS</b> bolt on	100 pc.	W1	20 pc.	2908516
		Pad	EPS <b>PLUS</b>	1 pc.	W1	20 pc.	2411111
		Pad bolt on	EPS <b>PLUS</b> bolt on	1 pc.	W1	20 pc.	2650002
		Set of bolts for pads.	EPS <b>PLUS</b>	100 pc.	W1	20 pc.	2103002
		Bolt set for track pads (incl. nuts)	EPS <b>PLUS</b> ; EPS <b>PLUS</b> bolt on	100 pc.	W1	20 pc.	2064533
W 1300 F	0710	Baseplate	EPS <b>PLUS</b> ; EPS <b>PLUS</b> bolt on	1 pc.	W1	20 pc.	2063489
		Track pad	Poly Grip	1 pc.	W1	20 pc.	150740
		Nut	Poly Grip	1 pc.	W1	20 pc.	18502
		For track pads (incl. nuts)	EPS <b>PLUS</b> bolt on	1 pc.	W1	20 pc.	2615388
		Nut set for pads	EPS <b>PLUS</b> bolt on	100 pc.	W1	20 pc.	2908516
		Pad	EPS <b>PLUS</b>	1 pc.	W1	20 pc.	2411111
		Pad bolt on	EPS <b>PLUS</b> bolt on	1 pc.	W1	20 pc.	2650002
		Bolt	Poly Grip	1 pc.	W1	20 pc.	18501
		Set of bolts for pads.	EPS <b>PLUS</b>	100 pc.	W1	20 pc.	2103002
		Bolt set for track pads (incl. nuts)	EPS <b>PLUS</b> ; EPS <b>PLUS</b> bolt on	100 pc.	W1	20 pc.	2064533
W 130 F	0810	Baseplate	EPS <b>PLUS</b> ; EPS <b>PLUS</b> bolt on	1 pc.	W1	20 pc.	2063489
		Track pad	Poly Grip	1 pc.	W1	20 pc.	150740
		Nut	Poly Grip	1 pc.	W1	20 pc.	18502
		For track pads (incl. nuts)	EPS <b>PLUS</b> bolt on	1 pc.	W1	20 pc.	2615388
		Nut set for pads	EPS <b>PLUS</b> bolt on	100 pc.	W1	20 pc.	2908516
		Pad	EPS <b>PLUS</b>	1 pc.	W1	20 pc.	2411111
		Pad bolt on	EPS <b>PLUS</b> bolt on	1 pc.	W1	20 pc.	2650002
		Bolt	Poly Grip	1 pc.	W1	20 pc.	18501
		Set of bolts for pads.	EPS <b>PLUS</b>	100 pc.	W1	20 pc.	2103002
		Bolt set for track pads (incl. nuts)	EPS <b>PLUS</b> ; EPS <b>PLUS</b> bolt on	100 pc.	W1	20 pc.	2064533



TRACK PADS							
Series code	Serial code	Part	Track pad system	Packaging unit	Crawler size	Track pads per crawler unit	Part no.
W 130 Fi	1310	Baseplate	EPS <b>PLUS</b> ; EPS <b>PLUS</b> bolt on	1 pc.	W1	20 pc.	2063489
		Track pad	Poly Grip	1 pc.	W1	20 pc.	150740
		Nut	Poly Grip	1 pc.	W1	20 pc.	18502
		For track pads (incl. nuts)	EPS <b>PLUS</b> bolt on	1 pc.	W1	20 pc.	2615388
		Nut set for pads	EPS <b>PLUS</b> bolt on	100 pc.	W1	20 pc.	2908516
		Pad	EPS <b>PLUS</b>	1 pc.	W1	20 pc.	2411111
		Pad bolt on	EPS <b>PLUS</b> bolt on	1 pc.	W1	20 pc.	2650002
		Bolt	Poly Grip	1 pc.	W1	20 pc.	18501
		Set of bolts for pads.	EPS <b>PLUS</b>	100 pc.	W1	20 pc.	2103002
		Bolt set for track pads (incl. nuts)	EPS <b>PLUS</b> ; EPS <b>PLUS</b> bolt on	100 pc.	W1	20 pc.	2064533
W 130 CF	1710	Baseplate	EPS <b>PLUS</b> ; EPS <b>PLUS</b> bolt on	1 pc.	W1	20 pc.	2063489
		For track pads (incl. nuts)	EPS <b>PLUS</b> bolt on	1 pc.	W1	20 pc.	2615388
		Nut set for pads	EPS <b>PLUS</b> bolt on	100 pc.	W1	20 pc.	2908516
		Pad	EPS <b>PLUS</b>	1 pc.	W1	20 pc.	2411111
		Pad bolt on	EPS <b>PLUS</b> bolt on	1 pc.	W1	20 pc.	2650002
		Set of bolts for pads.	EPS <b>PLUS</b>	100 pc.	W1	20 pc.	2103002
		Bolt set for track pads (incl. nuts)	EPS <b>PLUS</b> ; EPS <b>PLUS</b> bolt on	100 pc.	W1	20 pc.	2064533
W 130 CFi	1810	Baseplate	EPS <b>PLUS</b> ; EPS <b>PLUS</b> bolt on	1 pc.	W1	20 pc.	2063489
		For track pads (incl. nuts)	EPS <b>PLUS</b> bolt on	1 pc.	W1	20 pc.	2615388
		Nut set for pads	EPS <b>PLUS</b> bolt on	100 pc.	W1	20 pc.	2908516
		Pad	EPS <b>PLUS</b>	1 pc.	W1	20 pc.	2411111
		Pad bolt on	EPS <b>PLUS</b> bolt on	1 pc.	W1	20 pc.	2650002
		Set of bolts for pads.	EPS <b>PLUS</b>	100 pc.	W1	20 pc.	2103002
		Bolt set for track pads (incl. nuts)	EPS <b>PLUS</b> ; EPS <b>PLUS</b> bolt on	100 pc.	W1	20 pc.	2064533
W 130 XFi	1810	Baseplate	EPS <b>PLUS</b> ; EPS <b>PLUS</b> bolt on	1 pc.	W1	20 pc.	2063489
		For track pads (incl. nuts)	EPS <b>PLUS</b> bolt on	1 pc.	W1	20 pc.	2615388

# UNDERCARRIAGE CRAWLER DRIVE

TRACK PADS							
Series code	Serial code	Part	Track pad system	Packaging unit	Crawler size	Track pads per crawler unit	Part no.
W 130 XFi	1810	Nut set for pads	EPS <b>PLUS</b> bolt on	100 pc.	W1	20 pc.	2908516
		Pad	EPS <b>PLUS</b>	1 pc.	W1	20 pc.	2411111
		Pad bolt on	EPS <b>PLUS</b> bolt on	1 pc.	W1	20 pc.	2650002
		Set of bolts for pads.	EPS <b>PLUS</b>	100 pc.	W1	20 pc.	2103002
		Bolt set for track pads (incl. nuts)	EPS <b>PLUS</b> ; EPS <b>PLUS</b> bolt on	100 pc.	W1	20 pc.	2064533
W 130 Fi	2710	Baseplate	EPS <b>PLUS</b> ; EPS <b>PLUS</b> bolt on	1 pc.	W1	20 pc.	2063489
		For track pads (incl. nuts)	EPS <b>PLUS</b> bolt on	1 pc.	W1	20 pc.	2615388
		Nut set for pads	EPS <b>PLUS</b> bolt on	100 pc.	W1	20 pc.	2908516
		Pad	EPS <b>PLUS</b>	1 pc.	W1	20 pc.	2411111
		Pad bolt on	EPS <b>PLUS</b> bolt on	1 pc.	W1	20 pc.	2650002
		Set of bolts for pads.	EPS <b>PLUS</b>	100 pc.	W1	20 pc.	2103002
		Bolt set for track pads (incl. nuts)	EPS <b>PLUS</b> ; EPS <b>PLUS</b> bolt on	100 pc.	W1	20 pc.	2064533
W 1500	0820	Baseplate	EPS <b>PLUS</b> ; EPS <b>PLUS</b> bolt on	1 pc.	W1	24 pc.	2063489
		Track pad	Poly Grip	1 pc.	W1	24 pc.	150740
		Nut	Poly Grip	1 pc.	W1	24 pc.	18502
		For track pads (incl. nuts)	EPS <b>PLUS</b> bolt on	1 pc.	W1	24 pc.	2615388
		Nut set for pads	EPS <b>PLUS</b> bolt on	100 pc.	W1	24 pc.	2908516
		Pad	EPS <b>PLUS</b>	1 pc.	W1	24 pc.	2411111
		Pad bolt on	EPS <b>PLUS</b> bolt on	1 pc.	W1	24 pc.	2650002
		Bolt	Poly Grip	1 pc.	W1	24 pc.	18501
		Set of bolts for pads.	EPS <b>PLUS</b>	100 pc.	W1	24 pc.	2103002
		Bolt set for track pads (incl. nuts)	EPS <b>PLUS</b> ; EPS <b>PLUS</b> bolt on	100 pc.	W1	24 pc.	2064533
W 150	0513	Baseplate	EPS <b>PLUS</b> ; EPS <b>PLUS</b> bolt on	1 pc.	W1	20 pc.	2063489
		Track pad	Poly Grip	1 pc.	W1	20 pc.	150740
		Nut	Poly Grip	1 pc.	W1	20 pc.	18502
		For track pads (incl. nuts)	EPS <b>PLUS</b> bolt on	1 pc.	W1	20 pc.	2615388





TRACK PADS							
Series code	Serial code	Part	Track pad system	Packaging unit	Crawler size	Track pads per crawler unit	Part no.
W 150	0513	Nut set for pads	EPS <b>PLUS</b> bolt on	100 pc.	W1	20 pc.	2908516
		Pad	EPS <b>PLUS</b>	1 pc.	W1	20 pc.	2411111
		Pad bolt on	EPS <b>PLUS</b> bolt on	1 pc.	W1	20 pc.	2650002
		Bolt	Poly Grip	1 pc.	W1	20 pc.	18501
		Set of bolts for pads.	EPS <b>PLUS</b>	100 pc.	W1	20 pc.	2103002
		Bolt set for track pads (incl. nuts)	EPS <b>PLUS</b> ; EPS <b>PLUS</b> bolt on	100 pc.	W1	20 pc.	2064533
W 150i	0613	Baseplate	EPS <b>PLUS</b> ; EPS <b>PLUS</b> bolt on	1 pc.	W1	20 pc.	2063489
		Track pad	Poly Grip	1 pc.	W1	20 pc.	150740
		Nut	Poly Grip	1 pc.	W1	20 pc.	18502
		For track pads (incl. nuts)	EPS <b>PLUS</b> bolt on	1 pc.	W1	20 pc.	2615388
		Nut set for pads	EPS <b>PLUS</b> bolt on	100 pc.	W1	20 pc.	2908516
		Pad	EPS <b>PLUS</b>	1 pc.	W1	20 pc.	2411111
		Pad bolt on	EPS <b>PLUS</b> bolt on	1 pc.	W1	20 pc.	2650002
		Bolt	Poly Grip	1 pc.	W1	20 pc.	18501
		Set of bolts for pads.	EPS <b>PLUS</b>	100 pc.	W1	20 pc.	2103002
		Bolt set for track pads (incl. nuts)	EPS <b>PLUS</b> ; EPS <b>PLUS</b> bolt on	100 pc.	W1	20 pc.	2064533
W 150 CF	0713	Baseplate	EPS <b>PLUS</b> ; EPS <b>PLUS</b> bolt on	1 pc.	W1	20 pc.	2063489
		For track pads (incl. nuts)	EPS <b>PLUS</b> bolt on	1 pc.	W1	20 pc.	2615388
		Nut set for pads	EPS <b>PLUS</b> bolt on	100 pc.	W1	20 pc.	2908516
		Pad	EPS <b>PLUS</b>	1 pc.	W1	20 pc.	2411111
		Pad bolt on	EPS <b>PLUS</b> bolt on	1 pc.	W1	20 pc.	2650002
		Set of bolts for pads.	EPS <b>PLUS</b>	100 pc.	W1	20 pc.	2103002
W 150 CFi	0813	Baseplate	EPS <b>PLUS</b> ; EPS <b>PLUS</b> bolt on	1 pc.	W1	20 pc.	2063489
		For track pads (incl. nuts)	EPS <b>PLUS</b> bolt on	1 pc.	W1	20 pc.	2615388
		Nut set for pads	EPS <b>PLUS</b> bolt on	100 pc.	W1	20 pc.	2908516

# UNDERCARRIAGE CRAWLER DRIVE

TRACK PADS							
Series code	Serial code	Part	Track pad system	Packaging unit	Crawler size	Track pads per crawler unit	Part no.
W 150 CFi	0813	Pad	EPS <b>PLUS</b>	1 pc.	W1	20 pc.	2411111
		Pad bolt on	EPS <b>PLUS</b> bolt on	1 pc.	W1	20 pc.	2650002
		Set of bolts for pads.	EPS <b>PLUS</b>	100 pc.	W1	20 pc.	2103002
		Bolt set for track pads (incl. nuts)	EPS <b>PLUS</b> ; EPS <b>PLUS</b> bolt on	100 pc.	W1	20 pc.	2064533
W 150 XFi	0813	Baseplate	EPS <b>PLUS</b> ; EPS <b>PLUS</b> bolt on	1 pc.	W1	20 pc.	2063489
		For track pads (incl. nuts)	EPS <b>PLUS</b> bolt on	1 pc.	W1	20 pc.	2615388
		Nut set for pads	EPS <b>PLUS</b> bolt on	100 pc.	W1	20 pc.	2908516
		Pad	EPS <b>PLUS</b>	1 pc.	W1	20 pc.	2411111
		Pad bolt on	EPS <b>PLUS</b> bolt on	1 pc.	W1	20 pc.	2650002
		Set of bolts for pads.	EPS <b>PLUS</b>	100 pc.	W1	20 pc.	2103002
		Bolt set for track pads (incl. nuts)	EPS <b>PLUS</b> ; EPS <b>PLUS</b> bolt on	100 pc.	W1	20 pc.	2064533
W 1900	0820, 0920, 1020	Baseplate	EPS <b>PLUS</b> ; EPS <b>PLUS</b> bolt on	1 pc.	W1	24 pc.	2063489
		Track pad	Poly Grip	1 pc.	W1	24 pc.	150740
		Nut	Poly Grip	1 pc.	W1	24 pc.	18502
		For track pads (incl. nuts)	EPS <b>PLUS</b> bolt on	1 pc.	W1	24 pc.	2615388
		Nut set for pads	EPS <b>PLUS</b> bolt on	100 pc.	W1	24 pc.	2908516
		Pad	EPS <b>PLUS</b>	1 pc.	W1	24 pc.	2411111
		Pad bolt on	EPS <b>PLUS</b> bolt on	1 pc.	W1	24 pc.	2650002
		Bolt	Poly Grip	1 pc.	W1	24 pc.	18501
		Set of bolts for pads.	EPS <b>PLUS</b>	100 pc.	W1	24 pc.	2103002
		Bolt set for track pads (incl. nuts)	EPS <b>PLUS</b> ; EPS <b>PLUS</b> bolt on	100 pc.	W1	24 pc.	2064533
W 195	1820	Baseplate	EPS <b>PLUS</b> ; EPS <b>PLUS</b> bolt on	1 pc.	W1	24 pc.	2063489
		For track pads (incl. nuts)	EPS <b>PLUS</b> bolt on	1 pc.	W1	24 pc.	2615388
		Nut set for pads	EPS <b>PLUS</b> bolt on	100 pc.	W1	24 pc.	2908516
		Pad	EPS <b>PLUS</b>	1 pc.	W1	24 pc.	2411111
		Pad bolt on	EPS <b>PLUS</b> bolt on	1 pc.	W1	24 pc.	2650002



TRACK PADS							
Series code	Serial code	Part	Track pad system	Packaging unit	Crawler size	Track pads per crawler unit	Part no.
W 195	1820	Set of bolts for pads.	EPS <b>PLUS</b>	100 pc.	W1	24 pc.	2103002
		Bolt set for track pads (incl. nuts)	EPS <b>PLUS</b> ; EPS <b>PLUS</b> bolt on	100 pc.	W1	24 pc.	2064533
W 2000	0620, 1120	Baseplate	EPS <b>PLUS</b> ; EPS <b>PLUS</b> bolt on	1 pc.	W3	23 pc.	2063490
		Track pad	Poly Grip	1 pc.	W3	23 pc.	150821
		Nut	Poly Grip	1 pc.	W3	23 pc.	1860
		For track pads (incl. nuts)	EPS <b>PLUS</b> bolt on	1 pc.	W3	23 pc.	2615388
		Nut set for pads	EPS <b>PLUS</b> bolt on	100 pc.	W3	23 pc.	2908516
		Pad	EPS <b>PLUS</b>	1 pc.	W3	23 pc.	2411112
		Pad with bolt on	EPS <b>PLUS</b> bolt on	1 pc.	W3	23 pc.	2650003
		Bolt	Poly Grip	1 pc.	W3	23 pc.	1861
		Set of bolts for pads.	EPS <b>PLUS</b>	100 pc.	W3	23 pc.	2103002
		Bolt set for track pads (incl. nuts)	EPS <b>PLUS</b> ; EPS <b>PLUS</b> bolt on	100 pc.	W3	23 pc.	2064534
W 200	1220	Baseplate	EPS <b>PLUS</b> ; EPS <b>PLUS</b> bolt on	1 pc.	W1	24 pc.	2063489
		For track pads (incl. nuts)	EPS <b>PLUS</b> bolt on	1 pc.	W1	24 pc.	2615388
		Nut set for pads	EPS <b>PLUS</b> bolt on	100 pc.	W1	24 pc.	2908516
		Pad	EPS <b>PLUS</b>	1 pc.	W1	24 pc.	2411111
		Pad bolt on	EPS <b>PLUS</b> bolt on	1 pc.	W1	24 pc.	2650002
		Set of bolts for pads.	EPS <b>PLUS</b>	100 pc.	W1	24 pc.	2103002
W 200i	1420	Baseplate	EPS <b>PLUS</b> ; EPS <b>PLUS</b> bolt on	1 pc.	W1	24 pc.	2063489
		For track pads (incl. nuts)	EPS <b>PLUS</b> bolt on	1 pc.	W1	24 pc.	2615388
		Nut set for pads	EPS <b>PLUS</b> bolt on	100 pc.	W1	24 pc.	2908516
		Pad	EPS <b>PLUS</b>	1 pc.	W1	24 pc.	2411111
		Pad bolt on	EPS <b>PLUS</b> bolt on	1 pc.	W1	24 pc.	2650002
		Set of bolts for pads.	EPS <b>PLUS</b>	100 pc.	W1	24 pc.	2103002
		Bolt set for track pads (incl. nuts)	EPS <b>PLUS</b> ; EPS <b>PLUS</b> bolt on	100 pc.	W1	24 pc.	2064533

# UNDERCARRIAGE CRAWLER DRIVE

TRACK PADS							
Series code	Serial code	Part	Track pad system	Packaging unit	Crawler size	Track pads per crawler unit	Part no.
W 200 F	2020	Baseplate	EPS <b>PLUS</b> ; EPS <b>PLUS</b> bolt on	1 pc.	W1	23 pc.	2063489
		For track pads (incl. nuts)	EPS <b>PLUS</b> bolt on	1 pc.	W1	23 pc.	2615388
		Nut set for pads	EPS <b>PLUS</b> bolt on	100 pc.	W1	23 pc.	2908516
		Pad	EPS <b>PLUS</b>	1 pc.	W1	23 pc.	2411111
		Pad bolt on	EPS <b>PLUS</b> bolt on	1 pc.	W1	23 pc.	2650002
		Set of bolts for pads.	EPS <b>PLUS</b>	100 pc.	W1	23 pc.	2103002
		Bolt set for track pads (incl. nuts)	EPS <b>PLUS</b> ; EPS <b>PLUS</b> bolt on	100 pc.	W1	23 pc.	2064533
W 200 Fi	2120	Baseplate	EPS <b>PLUS</b> ; EPS <b>PLUS</b> bolt on	1 pc.	W1	23 pc.	2063489
		For track pads (incl. nuts)	EPS <b>PLUS</b> bolt on	1 pc.	W1	23 pc.	2615388
		Nut set for pads	EPS <b>PLUS</b> bolt on	100 pc.	W1	23 pc.	2908516
		Pad	EPS <b>PLUS</b>	1 pc.	W1	23 pc.	2411111
		Pad bolt on	EPS <b>PLUS</b> bolt on	1 pc.	W1	23 pc.	2650002
		Set of bolts for pads.	EPS <b>PLUS</b>	100 pc.	W1	23 pc.	2103002
		Bolt set for track pads (incl. nuts)	EPS <b>PLUS</b> ; EPS <b>PLUS</b> bolt on	100 pc.	W1	23 pc.	2064533
W 200 H	1620	Baseplate	EPS <b>PLUS</b> ; EPS <b>PLUS</b> bolt on	1 pc.	W1	24 pc.	2063489
		For track pads (incl. nuts)	EPS <b>PLUS</b> bolt on	1 pc.	W1	24 pc.	2615388
		Nut set for pads	EPS <b>PLUS</b> bolt on	100 pc.	W1	24 pc.	2908516
		Pad	EPS <b>PLUS</b>	1 pc.	W1	24 pc.	2411111
		Pad bolt on	EPS <b>PLUS</b> bolt on	1 pc.	W1	24 pc.	2650002
		Set of bolts for pads.	EPS <b>PLUS</b>	100 pc.	W1	24 pc.	2103002
		Bolt set for track pads (incl. nuts)	EPS <b>PLUS</b> ; EPS <b>PLUS</b> bolt on	100 pc.	W1	24 pc.	2064533
W 200 Hi	1720	Baseplate	EPS <b>PLUS</b> ; EPS <b>PLUS</b> bolt on	1 pc.	W1	24 pc.	2063489
		For track pads (incl. nuts)	EPS <b>PLUS</b> bolt on	1 pc.	W1	24 pc.	2615388
		Nut set for pads	EPS <b>PLUS</b> bolt on	100 pc.	W1	24 pc.	2908516
		Pad	EPS <b>PLUS</b>	1 pc.	W1	24 pc.	2411111
		Pad bolt on	EPS <b>PLUS</b> bolt on	1 pc.	W1	24 pc.	2650002



TRACK PADS							
Series code	Serial code	Part	Track pad system	Packaging unit	Crawler size	Track pads per crawler unit	Part no.
W 200 Hi	1720	Set of bolts for pads.	EPS <b>PLUS</b>	100 pc.	W1	24 pc.	2103002
		Bolt set for track pads (incl. nuts)	EPS <b>PLUS</b> ; EPS <b>PLUS</b> bolt on	100 pc.	W1	24 pc.	2064533
W 205	2520	Baseplate	EPS <b>PLUS</b> ; EPS <b>PLUS</b> bolt on	1 pc.	W3	23 pc.	2063490
		For track pads (incl. nuts)	EPS <b>PLUS</b> bolt on	1 pc.	W3	23 pc.	2615388
		Nut set for pads	EPS <b>PLUS</b> bolt on	100 pc.	W3	23 pc.	2908516
		Pad	EPS <b>PLUS</b>	1 pc.	W3	23 pc.	2411112
		Pad with bolt on	EPS <b>PLUS</b> bolt on	1 pc.	W3	23 pc.	2650003
		Set of bolts for pads.	EPS <b>PLUS</b>	100 pc.	W3	23 pc.	2103002
		Bolt set for track pads (incl. nuts)	EPS <b>PLUS</b> ; EPS <b>PLUS</b> bolt on	100 pc.	W3	23 pc.	2064534
W 207 Fi	2120	Baseplate	EPS <b>PLUS</b> ; EPS <b>PLUS</b> bolt on	1 pc.	W3	23 pc.	2063490
		For track pads (incl. nuts)	EPS <b>PLUS</b> bolt on	1 pc.	W3	23 pc.	2615388
		Nut set for pads	EPS <b>PLUS</b> bolt on	100 pc.	W3	23 pc.	2908516
		Pad	EPS <b>PLUS</b>	1 pc.	W3	23 pc.	2411112
		Pad with bolt on	EPS <b>PLUS</b> bolt on	1 pc.	W3	23 pc.	2650003
		Set of bolts for pads.	EPS <b>PLUS</b>	100 pc.	W3	23 pc.	2103002
		Bolt set for track pads (incl. nuts)	EPS <b>PLUS</b> ; EPS <b>PLUS</b> bolt on	100 pc.	W3	23 pc.	2064534
W 2100	0921	Baseplate	EPS <b>PLUS</b>	1 pc.	W4	24 pc.	2063491
		Track pad	Poly Grip	1 pc.	W4	24 pc.	144728
		Nut	Poly Grip	1 pc.	W4	24 pc.	37825
		Pad	EPS <b>PLUS</b>	1 pc.	W4	24 pc.	2102698
		Bolt	Poly Grip	1 pc.	W4	24 pc.	37824
		Set of bolts for pads.	EPS <b>PLUS</b>	50 pc.	W4	24 pc.	2103003
		Bolt set for track pads (incl. nuts)	EPS <b>PLUS</b>	50 pc.	W4	24 pc.	2064535
W 210	1320	Baseplate	EPS <b>PLUS</b> ; EPS <b>PLUS</b> bolt on	1 pc.	W3	23 pc.	2063490
		For track pads (incl. nuts)	EPS <b>PLUS</b> bolt on	1 pc.	W3	23 pc.	2615388
		Nut set for pads	EPS <b>PLUS</b> bolt on	100 pc.	W3	23 pc.	2908516

# UNDERCARRIAGE CRAWLER DRIVE

TRACK PADS							
Series code	Serial code	Part	Track pad system	Packaging unit	Crawler size	Track pads per crawler unit	Part no.
W 210	1320	Pad	EPS <b>PLUS</b>	1 pc.	W3	23 pc.	2411112
		Pad with bolt on	EPS <b>PLUS</b> bolt on	1 pc.	W3	23 pc.	2650003
		Set of bolts for pads.	EPS <b>PLUS</b>	100 pc.	W3	23 pc.	2103002
		Bolt set for track pads (incl. nuts)	EPS <b>PLUS</b> ; EPS <b>PLUS</b> bolt on	100 pc.	W3	23 pc.	2064534
W 210i	1520	Baseplate	EPS <b>PLUS</b> ; EPS <b>PLUS</b> bolt on	1 pc.	W3	23 pc.	2063490
		For track pads (incl. nuts)	EPS <b>PLUS</b> bolt on	1 pc.	W3	23 pc.	2615388
		Nut set for pads	EPS <b>PLUS</b> bolt on	100 pc.	W3	23 pc.	2908516
		Pad	EPS <b>PLUS</b>	1 pc.	W3	23 pc.	2411112
		Pad with bolt on	EPS <b>PLUS</b> bolt on	1 pc.	W3	23 pc.	2650003
		Set of bolts for pads.	EPS <b>PLUS</b>	100 pc.	W3	23 pc.	2103002
		Bolt set for track pads (incl. nuts)	EPS <b>PLUS</b> ; EPS <b>PLUS</b> bolt on	100 pc.	W3	23 pc.	2064534
W 210 Fi	2320	Baseplate	EPS <b>PLUS</b> ; EPS <b>PLUS</b> bolt on	1 pc.	W3	23 pc.	2063490
		For track pads (incl. nuts)	EPS <b>PLUS</b> bolt on	1 pc.	W3	23 pc.	2615388
		Nut set for pads	EPS <b>PLUS</b> bolt on	100 pc.	W3	23 pc.	2908516
		Pad	EPS <b>PLUS</b>	1 pc.	W3	23 pc.	2411112
		Pad with bolt on	EPS <b>PLUS</b> bolt on	1 pc.	W3	23 pc.	2650003
		Set of bolts for pads.	EPS <b>PLUS</b>	100 pc.	W3	23 pc.	2103002
		Bolt set for track pads (incl. nuts)	EPS <b>PLUS</b> ; EPS <b>PLUS</b> bolt on	100 pc.	W3	23 pc.	2064534
W 210 XP	2420	Baseplate	EPS <b>PLUS</b> ; EPS <b>PLUS</b> bolt on	1 pc.	W3	23 pc.	2063490
		For track pads (incl. nuts)	EPS <b>PLUS</b> bolt on	1 pc.	W3	23 pc.	2615388
		Nut set for pads	EPS <b>PLUS</b> bolt on	100 pc.	W3	23 pc.	2908516
		Pad	EPS <b>PLUS</b>	1 pc.	W3	23 pc.	2411112
		Pad with bolt on	EPS <b>PLUS</b> bolt on	1 pc.	W3	23 pc.	2650003
		Set of bolts for pads.	EPS <b>PLUS</b>	100 pc.	W3	23 pc.	2103002
		Bolt set for track pads (incl. nuts)	EPS <b>PLUS</b> ; EPS <b>PLUS</b> bolt on	100 pc.	W3	23 pc.	2064534
W 215	1920	Baseplate	EPS <b>PLUS</b> ; EPS <b>PLUS</b> bolt on	1 pc.	W3	23 pc.	2063490



TRACK PADS							
Series code	Serial code	Part	Track pad system	Packaging unit	Crawler size	Track pads per crawler unit	Part no.
W 215	1920	For track pads (incl. nuts)	EPS <b>PLUS</b> bolt on	1 pc.	W3	23 pc.	2615388
		Nut set for pads	EPS <b>PLUS</b> bolt on	100 pc.	W3	23 pc.	2908516
		Pad	EPS <b>PLUS</b>	1 pc.	W3	23 pc.	2411112
		Pad with bolt on	EPS <b>PLUS</b> bolt on	1 pc.	W3	23 pc.	2650003
		Set of bolts for pads.	EPS <b>PLUS</b>	100 pc.	W3	23 pc.	2103002
		Bolt set for track pads (incl. nuts)	EPS <b>PLUS</b> ; EPS <b>PLUS</b> bolt on	100 pc.	W3	23 pc.	2064534
W 2200	0821	Baseplate	EPS <b>PLUS</b>	1 pc.	W5	26 pc.	2063492
		Track pad	Poly Grip	1 pc.	W5	26 pc.	144727
		Nut	Poly Grip	1 pc.	W5	26 pc.	43499
		Pad	EPS <b>PLUS</b>	1 pc.	W5	26 pc.	2102699
		Bolt	Poly Grip	1 pc.	W5	26 pc.	43500
		Set of bolts for pads.	EPS <b>PLUS</b>	50 pc.	W5	26 pc.	2103003
		Bolt set for track pads (incl. nuts)	EPS <b>PLUS</b>	50 pc.	W5	26 pc.	2064536
W 220	0522	Baseplate	EPS <b>PLUS</b>	1 pc.	W4	24 pc.	2063491
		Pad	EPS <b>PLUS</b>	1 pc.	W4	24 pc.	2102698
		Set of bolts for pads.	EPS <b>PLUS</b>	50 pc.	W4	24 pc.	2103003
		Bolt set for track pads (incl. nuts)	EPS <b>PLUS</b>	50 pc.	W4	24 pc.	2064535
W 220i	0722	Baseplate	EPS <b>PLUS</b>	1 pc.	W4	24 pc.	2063491
		Pad	EPS <b>PLUS</b>	1 pc.	W4	24 pc.	2102698
		Set of bolts for pads.	EPS <b>PLUS</b>	50 pc.	W4	24 pc.	2103003
		Bolt set for track pads (incl. nuts)	EPS <b>PLUS</b>	50 pc.	W4	24 pc.	2064535
W 220 Fi	1122	Baseplate	EPS <b>PLUS</b>	1 pc.	W4	24 pc.	2063491
		Pad	EPS <b>PLUS</b>	1 pc.	W4	24 pc.	2102698
		Set of bolts for pads.	EPS <b>PLUS</b>	50 pc.	W4	24 pc.	2103003
		Bolt set for track pads (incl. nuts)	EPS <b>PLUS</b>	50 pc.	W4	24 pc.	2064535
W 250	0422	Baseplate	EPS <b>PLUS</b>	1 pc.	W5	26 pc.	2063492

# UNDERCARRIAGE CRAWLER DRIVE

TRACK PADS							
Series code	Serial code	Part	Track pad system	Packaging unit	Crawler size	Track pads per crawler unit	Part no.
W 250	0422	Pad	EPS <b>PLUS</b>	1 pc.	W5	26 pc.	2102699
		Set of bolts for pads.	EPS <b>PLUS</b>	50 pc.	W5	26 pc.	2103003
		Bolt set for track pads (incl. nuts)	EPS <b>PLUS</b>	50 pc.	W5	26 pc.	2064536
W 250i	0622	Baseplate	EPS <b>PLUS</b>	1 pc.	W5	26 pc.	2063492
		Pad	EPS <b>PLUS</b>	1 pc.	W5	26 pc.	2102699
		Set of bolts for pads.	EPS <b>PLUS</b>	50 pc.	W5	26 pc.	2103003
		Bolt set for track pads (incl. nuts)	EPS <b>PLUS</b>	50 pc.	W5	26 pc.	2064536
W 250 Fi	1322	Baseplate	EPS <b>PLUS</b>	1 pc.	W5	26 pc.	2063492
		Pad	EPS <b>PLUS</b>	1 pc.	W5	26 pc.	2102699
		Set of bolts for pads.	EPS <b>PLUS</b>	50 pc.	W5	26 pc.	2103003
		Bolt set for track pads (incl. nuts)	EPS <b>PLUS</b>	50 pc.	W5	26 pc.	2064536
2200 CR	0821	Baseplate	EPS <b>PLUS</b>	1 pc.	W5	26 pc.	2063492
		Pad	EPS <b>PLUS</b>	1 pc.	W5	26 pc.	2102699
		Set of bolts for pads.	EPS <b>PLUS</b>	50 pc.	W5	26 pc.	2103003
		Bolt set for track pads (incl. nuts)	EPS <b>PLUS</b>	50 pc.	W5	26 pc.	2064536
W 240 CR	03CR	Baseplate	EPS <b>PLUS</b>	1 pc.	W5	26 pc.	2063492
		Pad	EPS <b>PLUS</b>	1 pc.	W5	26 pc.	2102699
		Set of bolts for pads.	EPS <b>PLUS</b>	50 pc.	W5	26 pc.	2103003
		Bolt set for track pads (incl. nuts)	EPS <b>PLUS</b>	50 pc.	W5	26 pc.	2064536
W 240 CRi	04CR	Baseplate	EPS <b>PLUS</b>	1 pc.	W5	26 pc.	2063492
		Pad	EPS <b>PLUS</b>	1 pc.	W5	26 pc.	2102699
		Set of bolts for pads.	EPS <b>PLUS</b>	50 pc.	W5	26 pc.	2103003
		Bolt set for track pads (incl. nuts)	EPS <b>PLUS</b>	50 pc.	W5	26 pc.	2064536
W 380 CR	03CR	Baseplate	EPS <b>PLUS</b>	1 pc.	W5	26 pc.	2063492
		Pad	EPS <b>PLUS</b>	1 pc.	W5	26 pc.	2102699
		Set of bolts for pads.	EPS <b>PLUS</b>	50 pc.	W5	26 pc.	2103003



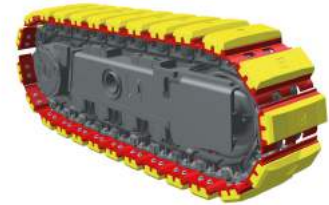


TRACK PADS							
Series code	Serial code	Part	Track pad system	Packaging unit	Crawler size	Track pads per crawler unit	Part no.
W 380 CR	03CR	Bolt set for track pads (incl. nuts)	EPS <b>PLUS</b>	50 pc.	W5	26 pc.	2064536
W 380 CRi	04CR	Baseplate	EPS <b>PLUS</b>	1 pc.	W5	26 pc.	2063492
		Pad	EPS <b>PLUS</b>	1 pc.	W5	26 pc.	2102699
		Set of bolts for pads.	EPS <b>PLUS</b>	50 pc.	W5	26 pc.	2103003
		Bolt set for track pads (incl. nuts)	EPS <b>PLUS</b>	50 pc.	W5	26 pc.	2064536
SP 150	09SP	Track pad	Poly Grip	1 pc.	W1	20 pc.	150740
		Nut	Poly Grip	1 pc.	W1	20 pc.	18502
		Bolt	Poly Grip	1 pc.	W1	20 pc.	18501
SP 15	12SP	Track pad	Poly Grip	1 pc.	W1	20 pc.	150740
		Nut	Poly Grip	1 pc.	W1	20 pc.	18502
		Bolt	Poly Grip	1 pc.	W1	20 pc.	18501
SP 15i	14SP	Track pad	Poly Grip	1 pc.	W1	20 pc.	150740
		Nut	Poly Grip	1 pc.	W1	20 pc.	18502
		Bolt	Poly Grip	1 pc.	W1	20 pc.	18501
SP 250	08SP	Track pad	Poly Grip	1 pc.	W0	27 pc.	151757
		Nut	Poly Grip	1 pc.	W0	27 pc.	120553
		Bolt	Poly Grip	1 pc.	W0	27 pc.	120552
SP 25	13SP	Track pad	Poly Grip	1 pc.	W0	27 pc.	151757
		Nut	Poly Grip	1 pc.	W0	27 pc.	120553
		Bolt	Poly Grip	1 pc.	W0	27 pc.	120552
SP 25i	15SP	Track pad	Poly Grip	1 pc.	W0	27 pc.	151757
		Nut	Poly Grip	1 pc.	W0	27 pc.	120553
		Bolt	Poly Grip	1 pc.	W0	27 pc.	120552
SP 500	10SP	Track pad	Poly Grip	1 pc.	W0	27 pc.	151757
		Nut	Poly Grip	1 pc.	W0	27 pc.	120553
		Bolt	Poly Grip	1 pc.	W0	27 pc.	120552

# UNDERCARRIAGE CRAWLER DRIVE

## CRAWLER UNIT CHAINS

High-strength genuine WIRTGEN crawler unit chains achieve an exceptionally long service life, even under extreme construction site conditions, and thus always ensure a reliable transfer of traction.



CRAWLER UNIT CHAINS							
Series code	Serial code	Series range	Track pad system	Version	Crawler size	Pads per crawler unit	Part no.
W 100 Fi	2710	1 - 9999	EPS <b>PLUS</b> ; Poly Grip; EPS <b>PLUS</b> bolt on	without track pads	W1	20 pcs.	131296
			Poly Grip	pre-assembled with Poly Grip track pads	W1	20 pcs.	131303
			EPS <b>PLUS</b>	pre-assembled with EPS <b>PLUS</b> track pads	W1	20 pcs.	2121472
W 1000 F	0710	1 - 9999	EPS <b>PLUS</b> ; Poly Grip; EPS <b>PLUS</b> bolt on	without track pads	W1	20 pcs.	131296
			EPS <b>PLUS</b>	pre-assembled with EPS <b>PLUS</b> track pads	W1	20 pcs.	2121472
			Poly Grip	pre-assembled with Poly Grip track pads	W1	20 pcs.	131303
W 100 F	0810	1 - 9999	EPS <b>PLUS</b> ; Poly Grip; EPS <b>PLUS</b> bolt on	without track pads	W1	20 pcs.	131296
			EPS <b>PLUS</b>	pre-assembled with EPS <b>PLUS</b> track pads	W1	20 pcs.	2121472
			Poly Grip	pre-assembled with Poly Grip track pads	W1	20 pcs.	131303
W 100 Fi	1310	1 - 9999	EPS <b>PLUS</b> ; Poly Grip; EPS <b>PLUS</b> bolt on	without track pads	W1	20 pcs.	131296
			EPS <b>PLUS</b>	pre-assembled with EPS <b>PLUS</b> track pads	W1	20 pcs.	2121472
			Poly Grip	pre-assembled with Poly Grip track pads	W1	20 pcs.	131303
W 100 CF	1710	1 - 9999	EPS <b>PLUS</b> ; Poly Grip; EPS <b>PLUS</b> bolt on	without track pads	W1	20 pcs.	131296
			EPS <b>PLUS</b>	pre-assembled with EPS <b>PLUS</b> track pads	W1	20 pcs.	2121472
			Poly Grip	pre-assembled with Poly Grip track pads	W1	20 pcs.	131303
W 100 CFi	1810	1 - 9999	EPS <b>PLUS</b> ; Poly Grip; EPS <b>PLUS</b> bolt on	without track pads	W1	20 pcs.	131296
			EPS <b>PLUS</b>	pre-assembled with EPS <b>PLUS</b> track pads	W1	20 pcs.	2121472
			Poly Grip	pre-assembled with Poly Grip track pads	W1	20 pcs.	131303
W 100 XFi	1810	1 - 9999	Poly Grip	pre-assembled with Poly Grip track pads	W1	20 pcs.	131303
			EPS <b>PLUS</b>	pre-assembled with EPS <b>PLUS</b> track pads	W1	20 pcs.	2121472



CRAWLER UNIT CHAINS							
Series code	Serial code	Series range	Track pad system	Version	Crawler size	Pads per crawler unit	Part no.
W 100 XFi	1810	1 - 9999	EPS <b>PLUS</b> ; Poly Grip; EPS <b>PLUS</b> bolt on	without track pads	W1	20 pcs.	131296
W 1200 F	0710	1 - 9999	EPS <b>PLUS</b> ; Poly Grip; EPS <b>PLUS</b> bolt on	without track pads	W1	20 pcs.	131296
			EPS <b>PLUS</b>	pre-assembled with EPS <b>PLUS</b> track pads	W1	20 pcs.	2121472
			Poly Grip	pre-assembled with Poly Grip track pads	W1	20 pcs.	131303
W 120 F	0810	1 - 9999	EPS <b>PLUS</b> ; Poly Grip; EPS <b>PLUS</b> bolt on	without track pads	W1	20 pcs.	131296
			EPS <b>PLUS</b>	pre-assembled with EPS <b>PLUS</b> track pads	W1	20 pcs.	2121472
			Poly Grip	pre-assembled with Poly Grip track pads	W1	20 pcs.	131303
W 120 Fi	1310	1 - 9999	EPS <b>PLUS</b> ; Poly Grip; EPS <b>PLUS</b> bolt on	without track pads	W1	20 pcs.	131296
			EPS <b>PLUS</b>	pre-assembled with EPS <b>PLUS</b> track pads	W1	20 pcs.	2121472
			Poly Grip	pre-assembled with Poly Grip track pads	W1	20 pcs.	131303
W 120 CF	1710	1 - 9999	EPS <b>PLUS</b> ; Poly Grip; EPS <b>PLUS</b> bolt on	without track pads	W1	20 pcs.	131296
			EPS <b>PLUS</b>	pre-assembled with EPS <b>PLUS</b> track pads	W1	20 pcs.	2121472
			Poly Grip	pre-assembled with Poly Grip track pads	W1	20 pcs.	131303
W 120 CFi	1810	1 - 9999	EPS <b>PLUS</b> ; Poly Grip; EPS <b>PLUS</b> bolt on	without track pads	W1	20 pcs.	131296
			EPS <b>PLUS</b>	pre-assembled with EPS <b>PLUS</b> track pads	W1	20 pcs.	2121472
			Poly Grip	pre-assembled with Poly Grip track pads	W1	20 pcs.	131303
W 120 XTi	1810	1 - 9999	Poly Grip	pre-assembled with Poly Grip track pads	W1	20 pcs.	131303
			EPS <b>PLUS</b>	pre-assembled with EPS <b>PLUS</b> track pads	W1	20 pcs.	2121472
			EPS <b>PLUS</b> ; Poly Grip; EPS <b>PLUS</b> bolt on	without track pads	W1	20 pcs.	131296
W 120 XFi	1810	1 - 9999	EPS <b>PLUS</b>	pre-assembled with EPS <b>PLUS</b> track pads	W1	20 pcs.	2121472
			Poly Grip	pre-assembled with Poly Grip track pads	W1	20 pcs.	131303
			EPS <b>PLUS</b> ; Poly Grip; EPS <b>PLUS</b> bolt on	without track pads	W1	20 pcs.	131296
W 120 Fi	2710	1 - 9999	EPS <b>PLUS</b>	pre-assembled with EPS <b>PLUS</b> track pads	W1	20 pcs.	2121472
			EPS <b>PLUS</b> ; Poly Grip; EPS <b>PLUS</b> bolt on	without track pads	W1	20 pcs.	131296
			Poly Grip	pre-assembled with Poly Grip track pads	W1	20 pcs.	131303
W 120 FTi	2710	1 - 9999	EPS <b>PLUS</b> ; Poly Grip; EPS <b>PLUS</b> bolt on	without track pads	W1	20 pcs.	131296

# UNDERCARRIAGE CRAWLER DRIVE

CRAWLER UNIT CHAINS							
Series code	Serial code	Series range	Track pad system	Version	Crawler size	Pads per crawler unit	Part no.
W 120 FTi	2710	1 - 9999	Poly Grip	pre-assembled with Poly Grip track pads	W1	20 pcs.	131303
			EPS <b>PLUS</b>	pre-assembled with EPS <b>PLUS</b> track pads	W1	20 pcs.	2121472
W 1300 F	0710	1 - 9999	EPS <b>PLUS</b> ; Poly Grip; EPS <b>PLUS</b> bolt on	without track pads	W1	20 pcs.	131296
			EPS <b>PLUS</b>	pre-assembled with EPS <b>PLUS</b> track pads	W1	20 pcs.	2121472
			Poly Grip	pre-assembled with Poly Grip track pads	W1	20 pcs.	131303
W 130 F	0810	1 - 9999	EPS <b>PLUS</b> ; Poly Grip; EPS <b>PLUS</b> bolt on	without track pads	W1	20 pcs.	131296
			EPS <b>PLUS</b>	pre-assembled with EPS <b>PLUS</b> track pads	W1	20 pcs.	2121472
			Poly Grip	pre-assembled with Poly Grip track pads	W1	20 pcs.	131303
W 130 Fi	1310	1 - 9999	EPS <b>PLUS</b> ; Poly Grip; EPS <b>PLUS</b> bolt on	without track pads	W1	20 pcs.	131296
			EPS <b>PLUS</b>	pre-assembled with EPS <b>PLUS</b> track pads	W1	20 pcs.	2121472
			Poly Grip	pre-assembled with Poly Grip track pads	W1	20 pcs.	131303
W 130 CF	1710	1 - 9999	EPS <b>PLUS</b> ; Poly Grip; EPS <b>PLUS</b> bolt on	without track pads	W1	20 pcs.	131296
			EPS <b>PLUS</b>	pre-assembled with EPS <b>PLUS</b> track pads	W1	20 pcs.	2121472
			Poly Grip	pre-assembled with Poly Grip track pads	W1	20 pcs.	131303
W 130 CFi	1810	1 - 9999	EPS <b>PLUS</b> ; Poly Grip; EPS <b>PLUS</b> bolt on	without track pads	W1	20 pcs.	131296
			EPS <b>PLUS</b>	pre-assembled with EPS <b>PLUS</b> track pads	W1	20 pcs.	2121472
			Poly Grip	pre-assembled with Poly Grip track pads	W1	20 pcs.	131303
W 130 XFi	1810	1 - 9999	EPS <b>PLUS</b> ; Poly Grip; EPS <b>PLUS</b> bolt on	without track pads	W1	20 pcs.	131296
			Poly Grip	pre-assembled with Poly Grip track pads	W1	20 pcs.	131303
			EPS <b>PLUS</b>	pre-assembled with EPS <b>PLUS</b> track pads	W1	20 pcs.	2121472
W 130 Fi	2710	1 - 9999	EPS <b>PLUS</b>	pre-assembled with EPS <b>PLUS</b> track pads	W1	20 pcs.	2121472
			Poly Grip	pre-assembled with Poly Grip track pads	W1	20 pcs.	131303
			EPS <b>PLUS</b> ; Poly Grip; EPS <b>PLUS</b> bolt on	without track pads	W1	20 pcs.	131296
W 1500	0820	1 - 9999	EPS <b>PLUS</b> ; Poly Grip; EPS <b>PLUS</b> bolt on	without track pads	W1	24 pcs.	108750
			EPS <b>PLUS</b>	pre-assembled with EPS <b>PLUS</b> track pads	W1	24 pcs.	2136667
			Poly Grip	pre-assembled with Poly Grip track pads	W1	24 pcs.	108756



CRAWLER UNIT CHAINS							
Series code	Serial code	Series range	Track pad system	Version	Crawler size	Pads per crawler unit	Part no.
W 150	0513	1 - 9999	EPS <b>PLUS</b> ; Poly Grip; EPS <b>PLUS</b> bolt on	without track pads	W1	20 pcs.	131296
			EPS <b>PLUS</b>	pre-assembled with EPS <b>PLUS</b> track pads	W1	20 pcs.	2121472
			Poly Grip	pre-assembled with Poly Grip track pads	W1	20 pcs.	131303
W 150i	0613	1 - 9999	EPS <b>PLUS</b> ; Poly Grip; EPS <b>PLUS</b> bolt on	without track pads	W1	20 pcs.	131296
			EPS <b>PLUS</b>	pre-assembled with EPS <b>PLUS</b> track pads	W1	20 pcs.	2121472
			Poly Grip	pre-assembled with Poly Grip track pads	W1	20 pcs.	131303
W 150 CF	0713	1 - 9999	EPS <b>PLUS</b> ; Poly Grip; EPS <b>PLUS</b> bolt on	without track pads	W1	20 pcs.	131296
			EPS <b>PLUS</b>	pre-assembled with EPS <b>PLUS</b> track pads	W1	20 pcs.	2121472
			Poly Grip	pre-assembled with Poly Grip track pads	W1	20 pcs.	131303
W 150 CFi	0813	1 - 9999	EPS <b>PLUS</b> ; Poly Grip; EPS <b>PLUS</b> bolt on	without track pads	W1	20 pcs.	131296
			EPS <b>PLUS</b>	pre-assembled with EPS <b>PLUS</b> track pads	W1	20 pcs.	2121472
			Poly Grip	pre-assembled with Poly Grip track pads	W1	20 pcs.	131303
W 150 XFi	0813	1 - 9999	EPS <b>PLUS</b>	pre-assembled with EPS <b>PLUS</b> track pads	W1	20 pcs.	2121472
			EPS <b>PLUS</b> ; Poly Grip; EPS <b>PLUS</b> bolt on	without track pads	W1	20 pcs.	131296
			Poly Grip	pre-assembled with Poly Grip track pads	W1	20 pcs.	131303
W 1900	0820	1 - 9999	Poly Grip	pre-assembled with Poly Grip track pads	W1	24 pcs.	108756
			EPS <b>PLUS</b> ; Poly Grip; EPS <b>PLUS</b> bolt on	without track pads	W1	24 pcs.	108750
			EPS <b>PLUS</b>	pre-assembled with EPS <b>PLUS</b> track pads	W1	24 pcs.	2136667
	0920, 1020	1 - 9999	EPS <b>PLUS</b> ; Poly Grip; EPS <b>PLUS</b> bolt on	without track pads	W1	24 pcs.	108750
			EPS <b>PLUS</b>	pre-assembled with EPS <b>PLUS</b> track pads	W1	24 pcs.	2136667
			Poly Grip	pre-assembled with Poly Grip track pads	W1	24 pcs.	108756
W 195	1820	1 - 9999	EPS <b>PLUS</b> ; Poly Grip; EPS <b>PLUS</b> bolt on	without track pads	W1	24 pcs.	108750
			EPS <b>PLUS</b>	pre-assembled with EPS <b>PLUS</b> track pads	W1	24 pcs.	2136667
			Poly Grip	pre-assembled with Poly Grip track pads	W1	24 pcs.	108756
W 2000	0620	1 - 9999	Poly Grip	pre-assembled with Poly Grip track pads	W3	23 pcs.	121235
			EPS <b>PLUS</b> ; Poly Grip	without track pads	W3	23 pcs.	121236

# UNDERCARRIAGE CRAWLER DRIVE

CRAWLER UNIT CHAINS							
Series code	Serial code	Series range	Track pad system	Version	Crawler size	Pads per crawler unit	Part no.
W 2000	0620	1 - 9999	EPS <b>PLUS</b>	pre-assembled with EPS <b>PLUS</b> track pads	W3	23 pcs.	2136665
	1120	1 - 9999	EPS <b>PLUS</b> ; Poly Grip	without track pads	W3	23 pcs.	121236
			Poly Grip	pre-assembled with Poly Grip track pads	W3	23 pcs.	121235
			EPS <b>PLUS</b>	pre-assembled with EPS <b>PLUS</b> track pads	W3	23 pcs.	2136665
W 200	1220	1 - 9999	EPS <b>PLUS</b>	pre-assembled with EPS <b>PLUS</b> track pads	W1	24 pcs.	2136667
			EPS <b>PLUS</b> ; Poly Grip; EPS <b>PLUS</b> bolt on	without track pads	W1	24 pcs.	108750
			Poly Grip	pre-assembled with Poly Grip track pads	W1	24 pcs.	108756
W 200i	1420	1 - 9999	Poly Grip	pre-assembled with Poly Grip track pads	W1	24 pcs.	108756
			EPS <b>PLUS</b>	pre-assembled with EPS <b>PLUS</b> track pads	W1	24 pcs.	2136667
			EPS <b>PLUS</b> ; Poly Grip; EPS <b>PLUS</b> bolt on	without track pads	W1	24 pcs.	108750
W 200 F	2020	1 - 9999	EPS <b>PLUS</b>	pre-assembled with EPS <b>PLUS</b> track pads	W1	23 pcs.	2703118
			EPS <b>PLUS</b> ; Poly Grip; EPS <b>PLUS</b> bolt on	without track pads	W1	23 pcs.	2703072
W 200 Fi	2120	1 - 9999	EPS <b>PLUS</b> ; Poly Grip; EPS <b>PLUS</b> bolt on	without track pads	W1	23 pcs.	2703072
			EPS <b>PLUS</b>	pre-assembled with EPS <b>PLUS</b> track pads	W1	23 pcs.	2703118
W 200 H	1620	1 - 9999	EPS <b>PLUS</b>	pre-assembled with EPS <b>PLUS</b> track pads	W1	24 pcs.	2136667
			Poly Grip	pre-assembled with Poly Grip track pads	W1	24 pcs.	108756
			EPS <b>PLUS</b> ; Poly Grip; EPS <b>PLUS</b> bolt on	without track pads	W1	24 pcs.	108750
W 200 Hi	1720	1 - 9999	Poly Grip	pre-assembled with Poly Grip track pads	W1	24 pcs.	108756
			EPS <b>PLUS</b> ; Poly Grip; EPS <b>PLUS</b> bolt on	without track pads	W1	24 pcs.	108750
			EPS <b>PLUS</b>	pre-assembled with EPS <b>PLUS</b> track pads	W1	24 pcs.	2136667
W 205	2520	1 - 9999	Poly Grip	pre-assembled with Poly Grip track pads	W3	23 pcs.	121235
			EPS <b>PLUS</b> ; Poly Grip	without track pads	W3	23 pcs.	121236
			EPS <b>PLUS</b>	pre-assembled with EPS <b>PLUS</b> track pads	W3	23 pcs.	2136665
W 207 Fi	2120	1 - 9999	Poly Grip	pre-assembled with Poly Grip track pads	W3	23 pcs.	121235
			EPS <b>PLUS</b> ; Poly Grip	without track pads	W3	23 pcs.	121236
			EPS <b>PLUS</b>	pre-assembled with EPS <b>PLUS</b> track pads	W3	23 pcs.	2136665



CRAWLER UNIT CHAINS							
Series code	Serial code	Series range	Track pad system	Version	Crawler size	Pads per crawler unit	Part no.
W 2100	0921	1 - 147	EPS <b>PLUS</b> ; Poly Grip	without track pads	W4	24 pcs.	41344
			Poly Grip	pre-assembled with Poly Grip track pads	W4	24 pcs.	41345
		148 - 9999	EPS <b>PLUS</b> ; Poly Grip	without track pads	W4	24 pcs.	191688
			Poly Grip	pre-assembled with Poly Grip track pads	W4	24 pcs.	193228
			EPS <b>PLUS</b>	pre-assembled with EPS <b>PLUS</b> track pads	W4	24 pcs.	2213105
W 210	1320	1 - 9999	EPS <b>PLUS</b> ; Poly Grip	without track pads	W3	23 pcs.	121236
			EPS <b>PLUS</b>	pre-assembled with EPS <b>PLUS</b> track pads	W3	23 pcs.	2136665
			Poly Grip	pre-assembled with Poly Grip track pads	W3	23 pcs.	121235
W 210i	1520	1 - 9999	EPS <b>PLUS</b>	pre-assembled with EPS <b>PLUS</b> track pads	W3	23 pcs.	2136665
			Poly Grip	pre-assembled with Poly Grip track pads	W3	23 pcs.	121235
			EPS <b>PLUS</b> ; Poly Grip	without track pads	W3	23 pcs.	121236
W 210 Fi	2320	1 - 9999	EPS <b>PLUS</b> ; Poly Grip	without track pads	W3	23 pcs.	121236
			Poly Grip	pre-assembled with Poly Grip track pads	W3	23 pcs.	121235
			EPS <b>PLUS</b>	pre-assembled with EPS <b>PLUS</b> track pads	W3	23 pcs.	2136665
W 210 XP	2420	1 - 9999	EPS <b>PLUS</b>	pre-assembled with EPS <b>PLUS</b> track pads	W3	23 pcs.	2136665
			EPS <b>PLUS</b> ; Poly Grip	without track pads	W3	23 pcs.	121236
			Poly Grip	pre-assembled with Poly Grip track pads	W3	23 pcs.	121235
W 215	1920	1 - 9999	Poly Grip	pre-assembled with Poly Grip track pads	W3	23 pcs.	121235
			EPS <b>PLUS</b> ; Poly Grip	without track pads	W3	23 pcs.	121236
			EPS <b>PLUS</b>	pre-assembled with EPS <b>PLUS</b> track pads	W3	23 pcs.	2136665
W 2200	0821	1 - 9999	EPS <b>PLUS</b> ; Poly Grip	without track pads	W5	26 pcs.	176322
			EPS <b>PLUS</b>	pre-assembled with EPS <b>PLUS</b> track pads	W5	26 pcs.	2517143
			Poly Grip	pre-assembled with Poly Grip track pads	W5	26 pcs.	176321
W 220	0522	1 - 9999	EPS <b>PLUS</b>	pre-assembled with EPS <b>PLUS</b> track pads	W4	24 pcs.	2213105
			Poly Grip	pre-assembled with Poly Grip track pads	W4	24 pcs.	193228
			EPS <b>PLUS</b> ; Poly Grip	without track pads	W4	24 pcs.	191688

# UNDERCARRIAGE CRAWLER DRIVE

CRAWLER UNIT CHAINS							
Series code	Serial code	Series range	Track pad system	Version	Crawler size	Pads per crawler unit	Part no.
W 220i	0722	1 - 9999	EPS <b>PLUS</b>	pre-assembled with EPS <b>PLUS</b> track pads	W4	24 pcs.	2213105
			EPS <b>PLUS</b> ; Poly Grip	without track pads	W4	24 pcs.	191688
			Poly Grip	pre-assembled with Poly Grip track pads	W4	24 pcs.	193228
W 220 Fi	1122	1 - 9999	EPS <b>PLUS</b> ; Poly Grip	without track pads	W4	24 pcs.	191688
			EPS <b>PLUS</b>	pre-assembled with EPS <b>PLUS</b> track pads	W4	24 pcs.	2213105
W 250	0422	1 - 9999	EPS <b>PLUS</b> ; Poly Grip	without track pads	W5	26 pcs.	176322
			EPS <b>PLUS</b>	pre-assembled with EPS <b>PLUS</b> track pads	W5	26 pcs.	2517143
			Poly Grip	pre-assembled with Poly Grip track pads	W5	26 pcs.	176321
W 250i	0622	1 - 9999	EPS <b>PLUS</b>	pre-assembled with EPS <b>PLUS</b> track pads	W5	26 pcs.	2517143
			Poly Grip	pre-assembled with Poly Grip track pads	W5	26 pcs.	176321
			EPS <b>PLUS</b> ; Poly Grip	without track pads	W5	26 pcs.	176322
W 250 Fi	1322	1 - 9999	EPS <b>PLUS</b> ; Poly Grip	without track pads	W5	26 pcs.	176322
			EPS <b>PLUS</b>	pre-assembled with EPS <b>PLUS</b> track pads	W5	26 pcs.	2517143
2200 CR	0821	1 - 9999	EPS <b>PLUS</b>	pre-assembled with EPS <b>PLUS</b> track pads	W5	26 pcs.	2517143
			Poly Grip	pre-assembled with Poly Grip track pads	W5	26 pcs.	176321
			EPS <b>PLUS</b> ; Poly Grip	without track pads	W5	26 pcs.	176322
W 240 CR	03CR	1 - 9999	EPS <b>PLUS</b> ; Poly Grip	without track pads	W5	26 pcs.	176322
			EPS <b>PLUS</b>	pre-assembled with EPS <b>PLUS</b> track pads	W5	26 pcs.	2517143
			Poly Grip	pre-assembled with Poly Grip track pads	W5	26 pcs.	176321
W 240 CRi	04CR	1 - 9999	EPS <b>PLUS</b> ; Poly Grip	without track pads	W5	26 pcs.	176322
			Poly Grip	pre-assembled with Poly Grip track pads	W5	26 pcs.	176321
			EPS <b>PLUS</b>	pre-assembled with EPS <b>PLUS</b> track pads	W5	26 pcs.	2517143
W 380 CR	03CR	1 - 9999	EPS <b>PLUS</b>	pre-assembled with EPS <b>PLUS</b> track pads	W5	26 pcs.	2517143
			EPS <b>PLUS</b> ; Poly Grip	without track pads	W5	26 pcs.	176322
			Poly Grip	pre-assembled with Poly Grip track pads	W5	26 pcs.	176321
W 380 CRi	04CR	1 - 9999	EPS <b>PLUS</b> ; Poly Grip	without track pads	W5	26 pcs.	176322





CRAWLER UNIT CHAINS							
Series code	Serial code	Series range	Track pad system	Version	Crawler size	Pads per crawler unit	Part no.
W 380 CRI	04CR	1 - 9999	Poly Grip	pre-assembled with Poly Grip track pads	W5	26 pcs.	176321
			EPS <b>PLUS</b>	pre-assembled with EPS <b>PLUS</b> track pads	W5	26 pcs.	2517143
SP 150	09SP	1 - 9999	Poly Grip	pre-assembled with Poly Grip track pads	W1	20 pcs.	131303
			EPS <b>PLUS</b>	pre-assembled with EPS <b>PLUS</b> track pads	W1	20 pcs.	2121472
			EPS <b>PLUS</b> ; Poly Grip; EPS <b>PLUS</b> bolt on	without track pads	W1	20 pcs.	131296
SP 15	12SP	1 - 9999	EPS <b>PLUS</b>	pre-assembled with EPS <b>PLUS</b> track pads	W1	20 pcs.	2121472
			Poly Grip	pre-assembled with Poly Grip track pads	W1	20 pcs.	131303
			EPS <b>PLUS</b> ; Poly Grip; EPS <b>PLUS</b> bolt on	without track pads	W1	20 pcs.	131296
SP 15i	14SP	1 - 9999	EPS <b>PLUS</b>	pre-assembled with EPS <b>PLUS</b> track pads	W1	20 pcs.	2121472
			Poly Grip	pre-assembled with Poly Grip track pads	W1	20 pcs.	131303
			EPS <b>PLUS</b> ; Poly Grip; EPS <b>PLUS</b> bolt on	without track pads	W1	20 pcs.	131296
SP 250	08SP	1 - 9999	Poly Grip	pre-assembled with Poly Grip track pads	W0	27 pcs.	120610
			EPS <b>PLUS</b> ; Poly Grip	without track pads	W0	27 pcs.	120561
SP 25	13SP	1 - 9999	Poly Grip	pre-assembled with Poly Grip track pads	W0	27 pcs.	120610
			EPS <b>PLUS</b> ; Poly Grip	without track pads	W0	27 pcs.	120561
SP 25i	15SP	1 - 9999	Poly Grip	pre-assembled with Poly Grip track pads	W0	27 pcs.	120610
			EPS <b>PLUS</b> ; Poly Grip	without track pads	W0	27 pcs.	120561
SP 500	10SP	1 - 9999	Poly Grip	pre-assembled with Poly Grip track pads	W0	27 pcs.	120610
			EPS <b>PLUS</b> ; Poly Grip	without track pads	W0	27 pcs.	120561
2200 SM	0821	740 - 9999	EPS <b>PLUS</b> ; Poly Grip	without track pads	W5	24 pcs.	2416649
			Poly Grip	pre-assembled with Poly Grip track pads	W5	24 pcs.	2531040

# UNDERCARRIAGE CRAWLER DRIVE

## CHAIN RUNNER

Chain runner from WIRTGEN increase the service life of the crawler unit chains by preventing the link chains from coming into contact with the crawler unit frame.



CHAIN RUNNER					
Series code	Serial code	Series range	Track pad system	Crawler size	Part no.
W 100 Fi	2710	1 - 9999	EPS <b>PLUS</b> ; Poly Grip; EPS <b>PLUS</b> bolt on	W1	2056527
W 1000 F	0710	1 - 9999	EPS <b>PLUS</b> ; Poly Grip; EPS <b>PLUS</b> bolt on	W1	2056527
W 100 F	0810	1 - 9999	EPS <b>PLUS</b> ; Poly Grip; EPS <b>PLUS</b> bolt on	W1	2056527
W 100 Fi	1310	1 - 9999	EPS <b>PLUS</b> ; Poly Grip; EPS <b>PLUS</b> bolt on	W1	2056527
W 100 CF	1710	1 - 9999	EPS <b>PLUS</b> ; Poly Grip; EPS <b>PLUS</b> bolt on	W1	2056527
W 100 CFi	1810	1 - 9999	EPS <b>PLUS</b> ; Poly Grip; EPS <b>PLUS</b> bolt on	W1	2056527
W 100 XFi	1810	1 - 9999	EPS <b>PLUS</b> ; Poly Grip; EPS <b>PLUS</b> bolt on	W1	2056527
W 1200 F	0710	1 - 9999	EPS <b>PLUS</b> ; Poly Grip; EPS <b>PLUS</b> bolt on	W1	2056527
W 120 F	0810	1 - 9999	EPS <b>PLUS</b> ; Poly Grip; EPS <b>PLUS</b> bolt on	W1	2056527
W 120 Fi	1310	1 - 9999	EPS <b>PLUS</b> ; Poly Grip; EPS <b>PLUS</b> bolt on	W1	2056527
W 120 CF	1710	1 - 9999	EPS <b>PLUS</b> ; Poly Grip; EPS <b>PLUS</b> bolt on	W1	2056527
W 120 CFi	1810	1 - 9999	EPS <b>PLUS</b> ; Poly Grip; EPS <b>PLUS</b> bolt on	W1	2056527
W 120 XTi	1810	1 - 9999	EPS <b>PLUS</b> ; Poly Grip; EPS <b>PLUS</b> bolt on	W1	2056527
W 120 XFi	1810	1 - 9999	EPS <b>PLUS</b> ; Poly Grip; EPS <b>PLUS</b> bolt on	W1	2056527
W 120 Fi	2710	1 - 9999	EPS <b>PLUS</b> ; Poly Grip; EPS <b>PLUS</b> bolt on	W1	2056527
W 120 FTi	2710	1 - 9999	EPS <b>PLUS</b> ; Poly Grip; EPS <b>PLUS</b> bolt on	W1	2056527
W 1300 F	0710	1 - 9999	EPS <b>PLUS</b> ; Poly Grip; EPS <b>PLUS</b> bolt on	W1	2056527
W 130 F	0810	1 - 9999	EPS <b>PLUS</b> ; Poly Grip; EPS <b>PLUS</b> bolt on	W1	2056527
W 130 Fi	1310	1 - 9999	EPS <b>PLUS</b> ; Poly Grip; EPS <b>PLUS</b> bolt on	W1	2056527
W 130 CF	1710	1 - 9999	EPS <b>PLUS</b> ; Poly Grip; EPS <b>PLUS</b> bolt on	W1	2056527



CHAIN RUNNER					
Series code	Serial code	Series range	Track pad system	Crawler size	Part no.
W 130 CFi	1810	1 - 9999	EPS <b>PLUS</b> ; Poly Grip; EPS <b>PLUS</b> bolt on	W1	2056527
W 130 XFi	1810	1 - 9999	EPS <b>PLUS</b> ; Poly Grip; EPS <b>PLUS</b> bolt on	W1	2056527
W 130 Fi	2710	1 - 9999	EPS <b>PLUS</b> ; Poly Grip; EPS <b>PLUS</b> bolt on	W1	2056527
W 150	0513	1 - 9999	EPS <b>PLUS</b> ; Poly Grip; EPS <b>PLUS</b> bolt on	W1	2056527
W 150i	0613	1 - 9999	EPS <b>PLUS</b> ; Poly Grip; EPS <b>PLUS</b> bolt on	W1	2056527
W 150 CF	0713	1 - 9999	EPS <b>PLUS</b> ; Poly Grip; EPS <b>PLUS</b> bolt on	W1	2056527
W 150 CFi	0813	1 - 9999	EPS <b>PLUS</b> ; Poly Grip; EPS <b>PLUS</b> bolt on	W1	2056527
W 150 XFi	0813	1 - 9999	EPS <b>PLUS</b> ; Poly Grip; EPS <b>PLUS</b> bolt on	W1	2056527
W 195	1820	1 - 9999	EPS <b>PLUS</b> ; Poly Grip; EPS <b>PLUS</b> bolt on	W1	2139779
W 2000	0620	1 - 9999	EPS <b>PLUS</b> ; Poly Grip	W2	138451
	1120	88 - 9999	EPS <b>PLUS</b> ; Poly Grip	W3	138451
W 200	1220	1 - 9999	EPS <b>PLUS</b> ; Poly Grip; EPS <b>PLUS</b> bolt on	W1	2139779
W 200i	1420	1 - 9999	EPS <b>PLUS</b> ; Poly Grip; EPS <b>PLUS</b> bolt on	W1	2139779
W 200 F	2020	1 - 9999	EPS <b>PLUS</b> ; Poly Grip; EPS <b>PLUS</b> bolt on	W1	2139779
W 200 Fi	2120	1 - 9999	EPS <b>PLUS</b> ; Poly Grip; EPS <b>PLUS</b> bolt on	W1	2139779
W 200 H	1620	1 - 9999	EPS <b>PLUS</b> ; Poly Grip; EPS <b>PLUS</b> bolt on	W1	2139779
W 200 Hi	1720	1 - 9999	EPS <b>PLUS</b> ; Poly Grip; EPS <b>PLUS</b> bolt on	W1	2139779
W 205	2520	1 - 9999	EPS <b>PLUS</b> ; Poly Grip; EPS <b>PLUS</b> bolt on	W2	2139779
W 207 Fi	2120	1 - 9999	EPS <b>PLUS</b> ; Poly Grip; EPS <b>PLUS</b> bolt on	W2	2139779
W 2100	0921	1 - 9999	EPS <b>PLUS</b> ; Poly Grip	W3	138451
W 210	1320	1 - 9999	EPS <b>PLUS</b> ; Poly Grip; EPS <b>PLUS</b> bolt on	W2	2139779
W 210i	1520	1 - 9999	EPS <b>PLUS</b> ; Poly Grip; EPS <b>PLUS</b> bolt on	W2	2139779
W 210 Fi	2320	1 - 9999	EPS <b>PLUS</b> ; Poly Grip; EPS <b>PLUS</b> bolt on	W2	2139779
W 210 XP	2420	1 - 9999	EPS <b>PLUS</b> ; Poly Grip; EPS <b>PLUS</b> bolt on	W2	2139779
W 215	1920	1 - 9999	EPS <b>PLUS</b> ; Poly Grip; EPS <b>PLUS</b> bolt on	W2	2139779
W 2200	0821	1 - 9999	EPS <b>PLUS</b> ; Poly Grip	W5	133018

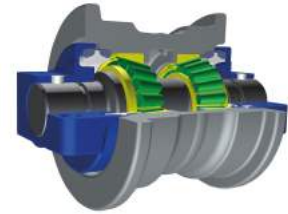
# UNDERCARRIAGE CRAWLER DRIVE

CHAIN RUNNER					
Series code	Serial code	Series range	Track pad system	Crawler size	Part no.
W 220	0522	1 - 9999	EPS <b>PLUS</b> ; Poly Grip	W4	2212009
W 220i	0722	1 - 9999	EPS <b>PLUS</b> ; Poly Grip	W3	2212009
W 220 Fi	1122	1 - 9999	EPS <b>PLUS</b> ; Poly Grip	W4	2212009
W 250	0422	3 - 9999	EPS <b>PLUS</b> ; Poly Grip	W5	2212009
W 250i	0622	1 - 9999	EPS <b>PLUS</b> ; Poly Grip	W5	2212009
W 250 Fi	1322	1 - 9999	EPS <b>PLUS</b> ; Poly Grip	W5	2212009
2200 CR	0821	1 - 9999	EPS <b>PLUS</b> ; Poly Grip	W5	133018
W 240 CR	03CR	1 - 9999	EPS <b>PLUS</b> ; Poly Grip	W5	2212009
W 240 CRi	04CR	1 - 9999	EPS <b>PLUS</b> ; Poly Grip	W5	2212009
W 380 CR	03CR	1 - 9999	EPS <b>PLUS</b> ; Poly Grip	W5	2212009
W 380 CRi	04CR	1 - 9999	EPS <b>PLUS</b> ; Poly Grip	W5	2212009
SP 150	09SP	1 - 9999	EPS <b>PLUS</b> ; Poly Grip; EPS <b>PLUS</b> bolt on	W1	2056527
SP 15	12SP	1 - 9999	EPS <b>PLUS</b> ; Poly Grip; EPS <b>PLUS</b> bolt on	W1	2056527
SP 15i	14SP	1 - 9999	EPS <b>PLUS</b> ; Poly Grip; EPS <b>PLUS</b> bolt on	W1	2056527
2200 SM	0821	740 - 9999	EPS <b>PLUS</b> ; Poly Grip	W5	133018



## TRACK ROLLERS

Genuine track rollers from WIRTGEN safely support the weight of the machine and thus ensure that the machine tracks with extreme precision, even at high advance rates and large milling depths.



WIRTGEN



TRACK ROLLERS							
Series code	Serial code	Series range	Track pad system	Version	Crawler size	Requirement	Part no.
W 100 Fi	2710	1 - 9999	EPS <b>PLUS</b> ; Poly Grip; EPS <b>PLUS</b> bolt on	roller bearings	W1	3 pc.	191936
W 1000 F	0710	8 - 9999	EPS <b>PLUS</b> ; Poly Grip; EPS <b>PLUS</b> bolt on	roller bearings	W1	3 pc.; 3 pc.	193999
W 100 F	0810	1 - 9999	EPS <b>PLUS</b> ; Poly Grip; EPS <b>PLUS</b> bolt on	roller bearings	W1	3 pc.; 3 pc.	191936
W 100 Fi	1310	1 - 9999	EPS <b>PLUS</b> ; Poly Grip; EPS <b>PLUS</b> bolt on	roller bearings	W1	3 pc.; 3 pc.	191936
W 100 CF	1710	1 - 9999	EPS <b>PLUS</b> ; Poly Grip; EPS <b>PLUS</b> bolt on	roller bearings	W1	3 pc.; 3 pc.	191936
W 100 CFi	1810	1 - 9999	EPS <b>PLUS</b> ; Poly Grip; EPS <b>PLUS</b> bolt on	roller bearings	W1	3 pc.; 3 pc.	191936
W 100 XFi	1810	1 - 9999	EPS <b>PLUS</b> ; Poly Grip; EPS <b>PLUS</b> bolt on	roller bearings	W1	3 pc.	191936
W 1200 F	0710	8 - 9999	EPS <b>PLUS</b> ; Poly Grip; EPS <b>PLUS</b> bolt on	roller bearings	W1	3 pc.; 3 pc.	193999
W 120 F	0810	1 - 9999	EPS <b>PLUS</b> ; Poly Grip; EPS <b>PLUS</b> bolt on	roller bearings	W1	3 pc.; 3 pc.	191936
W 120 Fi	1310	1 - 9999	EPS <b>PLUS</b> ; Poly Grip; EPS <b>PLUS</b> bolt on	roller bearings	W1	3 pc.; 3 pc.	191936
W 120 CF	1710	1 - 9999	EPS <b>PLUS</b> ; Poly Grip; EPS <b>PLUS</b> bolt on	roller bearings	W1	3 pc.; 3 pc.	191936
W 120 CFi	1810	1 - 9999	EPS <b>PLUS</b> ; Poly Grip; EPS <b>PLUS</b> bolt on	roller bearings	W1	3 pc.; 3 pc.	191936
W 120 XTi	1810	1 - 9999	EPS <b>PLUS</b> ; Poly Grip; EPS <b>PLUS</b> bolt on	roller bearings	W1	3 pc.	191936
W 120 XFi	1810	1 - 9999	EPS <b>PLUS</b> ; Poly Grip; EPS <b>PLUS</b> bolt on	roller bearings	W1	3 pc.	191936
W 120 Fi	2710	1 - 9999	EPS <b>PLUS</b> ; Poly Grip; EPS <b>PLUS</b> bolt on	roller bearings	W1	3 pc.	191936
W 120 FTi	2710	1 - 9999	EPS <b>PLUS</b> ; Poly Grip; EPS <b>PLUS</b> bolt on	roller bearings	W1	3 pc.	191936
W 1300 F	0710	8 - 9999	EPS <b>PLUS</b> ; Poly Grip; EPS <b>PLUS</b> bolt on	roller bearings	W1	3 pc.; 3 pc.	193999
W 130 F	0810	1 - 9999	EPS <b>PLUS</b> ; Poly Grip; EPS <b>PLUS</b> bolt on	roller bearings	W1	3 pc.; 3 pc.	191936
W 130 Fi	1310	1 - 9999	EPS <b>PLUS</b> ; Poly Grip; EPS <b>PLUS</b> bolt on	roller bearings	W1	3 pc.; 3 pc.	191936
W 130 CF	1710	1 - 9999	EPS <b>PLUS</b> ; Poly Grip; EPS <b>PLUS</b> bolt on	roller bearings	W1	3 pc.; 3 pc.	191936

# UNDERCARRIAGE CRAWLER DRIVE

TRACK ROLLERS							
Series code	Serial code	Series range	Track pad system	Version	Crawler size	Requirement	Part no.
W 130 CFi	1810	1 - 9999	EPS <b>PLUS</b> ; Poly Grip; EPS <b>PLUS</b> bolt on	roller bearings	W1	3 pc.; 3 pc.	191936
W 130 XFi	1810	1 - 9999	EPS <b>PLUS</b> ; Poly Grip; EPS <b>PLUS</b> bolt on	roller bearings	W1	3 pc.	191936
W 130 Fi	2710	1 - 9999	EPS <b>PLUS</b> ; Poly Grip; EPS <b>PLUS</b> bolt on	roller bearings	W1	3 pc.	191936
W 1500	0820	1 - 9999	EPS <b>PLUS</b> ; Poly Grip; EPS <b>PLUS</b> bolt on	roller bearings	W1	4 pc.; 4 pc.	193999
W 150	0513	1 - 9999	EPS <b>PLUS</b> ; Poly Grip; EPS <b>PLUS</b> bolt on	roller bearings	W1	3 pc.; 3 pc.	191936
W 150i	0613	1 - 9999	EPS <b>PLUS</b> ; Poly Grip; EPS <b>PLUS</b> bolt on	roller bearings	W1	3 pc.; 3 pc.	191936
W 150 CF	0713	1 - 9999	EPS <b>PLUS</b> ; Poly Grip; EPS <b>PLUS</b> bolt on	roller bearings	W1	3 pc.; 3 pc.	191936
W 150 CFi	0813	1 - 9999	EPS <b>PLUS</b> ; Poly Grip; EPS <b>PLUS</b> bolt on	roller bearings	W1	3 pc.; 3 pc.	191936
W 150 XFi	0813	1 - 9999	EPS <b>PLUS</b> ; Poly Grip; EPS <b>PLUS</b> bolt on	roller bearings	W1	3 pc.	191936
W 1900	0820, 0920, 1020	1 - 9999	EPS <b>PLUS</b> ; Poly Grip; EPS <b>PLUS</b> bolt on	roller bearings	W1	4 pc.; 4 pc.	193999
W 195	1820	1 - 9999	EPS <b>PLUS</b> ; Poly Grip; EPS <b>PLUS</b> bolt on	roller bearings	W1	4 pc.; 4 pc.	191936
W 2000	0620, 1120	1 - 9999	EPS <b>PLUS</b> ; Poly Grip	roller bearings	W3	4 pc.; 4 pc.	2066123
W 200	1220	1 - 9999	EPS <b>PLUS</b> ; Poly Grip; EPS <b>PLUS</b> bolt on	roller bearings	W1	4 pc.; 4 pc.	191936
W 200i	1420	1 - 9999	EPS <b>PLUS</b> ; Poly Grip; EPS <b>PLUS</b> bolt on	roller bearings	W1	4 pc.; 4 pc.	191936
W 200 F	2020	1 - 9999	EPS <b>PLUS</b> ; Poly Grip; EPS <b>PLUS</b> bolt on	roller bearings	W1	4 pc.; 4 pc.	191936
W 200 Fi	2120	1 - 9999	EPS <b>PLUS</b> ; Poly Grip; EPS <b>PLUS</b> bolt on	roller bearings	W1	4 pc.; 4 pc.	191936
W 200 H	1620	1 - 9999	EPS <b>PLUS</b> ; Poly Grip; EPS <b>PLUS</b> bolt on	roller bearings	W1	4 pc.; 4 pc.	191936
W 200 Hi	1720	1 - 9999	EPS <b>PLUS</b> ; Poly Grip; EPS <b>PLUS</b> bolt on	roller bearings	W1	4 pc.; 4 pc.	191936
W 205	2520	1 - 9999	EPS <b>PLUS</b> ; Poly Grip	roller bearings	W3	4 pc.; 4 pc.	2111494
W 207 Fi	2120	1 - 9999	EPS <b>PLUS</b> ; Poly Grip	roller bearings	W3	4 pc.; 4 pc.	2111494
W 2100	0921	1 - 9999	EPS <b>PLUS</b> ; Poly Grip	roller bearings	W4	4 pc.; 4 pc.	2070670
W 210	1320	1 - 9999	EPS <b>PLUS</b> ; Poly Grip	roller bearings	W3	4 pc.; 4 pc.	2111494
W 210i	1520	1 - 9999	EPS <b>PLUS</b> ; Poly Grip	roller bearings	W3	4 pc.; 4 pc.	2111494
W 210 Fi	2320	1 - 9999	EPS <b>PLUS</b> ; Poly Grip	roller bearings	W3	4 pc.; 4 pc.	2111494
W 210 XP	2420	1 - 9999	EPS <b>PLUS</b> ; Poly Grip	roller bearings	W3	4 pc.; 4 pc.	2111494
W 215	1920	1 - 9999	EPS <b>PLUS</b> ; Poly Grip	roller bearings	W3	4 pc.; 4 pc.	2111494



TRACK ROLLERS							
Series code	Serial code	Series range	Track pad system	Version	Crawler size	Requirement	Part no.
W 2200	0821	1 - 311	EPS <b>PLUS</b> ; Poly Grip	sliding bearings	W5	4 pc.; 4 pc.	118719
		312 - 9999	EPS <b>PLUS</b> ; Poly Grip	sliding bearings	W5	4 pc.; 4 pc.	2053169
W 220	0522	1 - 9999	EPS <b>PLUS</b> ; Poly Grip	roller bearings	W4	4 pc.; 4 pc.	2070670
W 220i	0722	1 - 9999	EPS <b>PLUS</b> ; Poly Grip	roller bearings	W4	4 pc.; 4 pc.	2070670
W 220 Fi	1122	1 - 9999	EPS <b>PLUS</b> ; Poly Grip	roller bearings	W4	4 pc.	2070670
W 250	0422	1 - 9999	EPS <b>PLUS</b> ; Poly Grip	roller bearings	W5	4 pc.; 4 pc.	2165046
W 250i	0622	1 - 9999	EPS <b>PLUS</b> ; Poly Grip	roller bearings	W5	4 pc.; 4 pc.	2165046
W 250 Fi	1322	1 - 9999	EPS <b>PLUS</b> ; Poly Grip	roller bearings	W5	4 pc.	2165046
2200 CR	0821	1 - 311	EPS <b>PLUS</b> ; Poly Grip	sliding bearings	W5	4 pc.; 4 pc.	118719
		312 - 9999	EPS <b>PLUS</b> ; Poly Grip	sliding bearings	W5	4 pc.; 4 pc.	2053169
W 240 CR	03CR	1 - 9999	EPS <b>PLUS</b> ; Poly Grip	roller bearings	W5	4 pc.; 4 pc.	2165046
W 240 CRi	04CR	1 - 9999	EPS <b>PLUS</b> ; Poly Grip	roller bearings	W5	4 pc.; 4 pc.	2165046
W 380 CR	03CR	1 - 9999	EPS <b>PLUS</b> ; Poly Grip	roller bearings	W5	4 pc.; 4 pc.	2165046
W 380 CRi	04CR	1 - 9999	EPS <b>PLUS</b> ; Poly Grip	roller bearings	W5	4 pc.; 4 pc.	2165046
SP 150	09SP	1 - 9999	EPS <b>PLUS</b> ; Poly Grip; EPS <b>PLUS</b> bolt on	roller bearings	W1	3 pc.; 3 pc.	191936
SP 15	12SP	1 - 9999	EPS <b>PLUS</b> ; Poly Grip; EPS <b>PLUS</b> bolt on	roller bearings	W1	3 pc.; 3 pc.	191936
SP 15i	14SP	1 - 9999	EPS <b>PLUS</b> ; Poly Grip; EPS <b>PLUS</b> bolt on	roller bearings	W1	3 pc.; 3 pc.	191936

# UNDERCARRIAGE CRAWLER DRIVE

## IDLERS

WIRTGEN's wear-resistant idlers are lubricated for life and ensure the machine tracks precisely.



IDLERS							
Series code	Serial code	Series range	Part	Track pad system	Package includes	Crawler size	Part no.
W 100 Fi	2710	1 - 9999	Idler assembly	EPS <b>PLUS</b> ; Poly Grip; EPS <b>PLUS</b> bolt on	incl. idler guide	W1	2227105
W 1000 F	0710	1 - 7	Idler assembly	EPS <b>PLUS</b> ; Poly Grip; EPS <b>PLUS</b> bolt on	incl. idler guide	W1	129988
		8 - 9999	Idler assembly	EPS <b>PLUS</b> ; Poly Grip; EPS <b>PLUS</b> bolt on	incl. idler guide	W1	131307
W 100 F	0810	1 - 1390	Idler unit	EPS <b>PLUS</b> ; Poly Grip; EPS <b>PLUS</b> bolt on	incl. idler guide	W1	87705
		1391 - 9999	Idler assembly	EPS <b>PLUS</b> ; Poly Grip; EPS <b>PLUS</b> bolt on	incl. idler guide	W1	2227105
W 100 Fi	1310	1 - 206	Idler unit	EPS <b>PLUS</b> ; Poly Grip; EPS <b>PLUS</b> bolt on	incl. idler guide	W1	87705
		207 - 9999	Idler assembly	EPS <b>PLUS</b> ; Poly Grip; EPS <b>PLUS</b> bolt on	incl. idler guide	W1	2227105
W 100 CF	1710	1 - 9999	Idler assembly	EPS <b>PLUS</b> ; Poly Grip; EPS <b>PLUS</b> bolt on	incl. idler guide	W1	2227105
W 100 CFi	1810	1 - 9999	Idler assembly	EPS <b>PLUS</b> ; Poly Grip; EPS <b>PLUS</b> bolt on	incl. idler guide	W1	2227105
W 100 XFi	1810	1 - 9999	Idler assembly	EPS <b>PLUS</b> ; Poly Grip; EPS <b>PLUS</b> bolt on	incl. idler guide	W1	2227105
W 1200 F	0710	1 - 7	Idler assembly	EPS <b>PLUS</b> ; Poly Grip; EPS <b>PLUS</b> bolt on	incl. idler guide	W1	129988
		8 - 9999	Idler assembly	EPS <b>PLUS</b> ; Poly Grip; EPS <b>PLUS</b> bolt on	incl. idler guide	W1	131307
W 120 F	0810	1 - 1390	Idler unit	EPS <b>PLUS</b> ; Poly Grip; EPS <b>PLUS</b> bolt on	incl. idler guide	W1	87705
		1391 - 9999	Idler assembly	EPS <b>PLUS</b> ; Poly Grip; EPS <b>PLUS</b> bolt on	incl. idler guide	W1	2227105
W 120 Fi	1310	1 - 206	Idler unit	EPS <b>PLUS</b> ; Poly Grip; EPS <b>PLUS</b> bolt on	incl. idler guide	W1	87705
		207 - 9999	Idler assembly	EPS <b>PLUS</b> ; Poly Grip; EPS <b>PLUS</b> bolt on	incl. idler guide	W1	2227105
W 120 CF	1710	1 - 9999	Idler assembly	EPS <b>PLUS</b> ; Poly Grip; EPS <b>PLUS</b> bolt on	incl. idler guide	W1	2227105
W 120 CFi	1810	1 - 9999	Idler assembly	EPS <b>PLUS</b> ; Poly Grip; EPS <b>PLUS</b> bolt on	incl. idler guide	W1	2227105
W 120 XTi	1810	1 - 9999	Idler assembly	EPS <b>PLUS</b> ; Poly Grip; EPS <b>PLUS</b> bolt on	incl. idler guide	W1	2227105
W 120 XFi	1810	1 - 9999	Idler assembly	EPS <b>PLUS</b> ; Poly Grip; EPS <b>PLUS</b> bolt on	incl. idler guide	W1	2227105





IDLERS							
Series code	Serial code	Series range	Part	Track pad system	Package includes	Crawler size	Part no.
W 120 Fi	2710	1 - 9999	Idler assembly	EPS <b>PLUS</b> ; Poly Grip; EPS <b>PLUS</b> bolt on	incl. idler guide	W1	2227105
W 120 FTi	2710	1 - 9999	Idler assembly	EPS <b>PLUS</b> ; Poly Grip; EPS <b>PLUS</b> bolt on	incl. idler guide	W1	2227105
W 1300 F	0710	1 - 7	Idler assembly	EPS <b>PLUS</b> ; Poly Grip; EPS <b>PLUS</b> bolt on	incl. idler guide	W1	129988
		8 - 9999	Idler assembly	EPS <b>PLUS</b> ; Poly Grip; EPS <b>PLUS</b> bolt on	incl. idler guide	W1	131307
W 130 F	0810	1 - 1390	Idler unit	EPS <b>PLUS</b> ; Poly Grip; EPS <b>PLUS</b> bolt on	incl. idler guide	W1	87705
		1391 - 9999	Idler assembly	EPS <b>PLUS</b> ; Poly Grip; EPS <b>PLUS</b> bolt on	incl. idler guide	W1	2227105
W 130 Fi	1310	1 - 206	Idler unit	EPS <b>PLUS</b> ; Poly Grip; EPS <b>PLUS</b> bolt on	incl. idler guide	W1	87705
		207 - 9999	Idler assembly	EPS <b>PLUS</b> ; Poly Grip; EPS <b>PLUS</b> bolt on	incl. idler guide	W1	2227105
W 130 CF	1710	1 - 9999	Idler assembly	EPS <b>PLUS</b> ; Poly Grip; EPS <b>PLUS</b> bolt on	incl. idler guide	W1	2227105
W 130 CFi	1810	1 - 9999	Idler assembly	EPS <b>PLUS</b> ; Poly Grip; EPS <b>PLUS</b> bolt on	incl. idler guide	W1	2227105
W 130 XFi	1810	1 - 9999	Idler assembly	EPS <b>PLUS</b> ; Poly Grip; EPS <b>PLUS</b> bolt on	incl. idler guide	W1	2227105
W 130 Fi	2710	1 - 9999	Idler assembly	EPS <b>PLUS</b> ; Poly Grip; EPS <b>PLUS</b> bolt on	incl. idler guide	W1	2227105
W 150	0513	1 - 278	Idler unit	EPS <b>PLUS</b> ; Poly Grip; EPS <b>PLUS</b> bolt on	incl. idler guide	W1	87705
		279 - 9999	Idler assembly	EPS <b>PLUS</b> ; Poly Grip; EPS <b>PLUS</b> bolt on	incl. idler guide	W1	2227105
W 150i	0613	1 - 9999	Idler assembly	EPS <b>PLUS</b> ; Poly Grip; EPS <b>PLUS</b> bolt on	incl. idler guide	W1	2227105
W 150 CF	0713	1 - 9999	Idler assembly	EPS <b>PLUS</b> ; Poly Grip; EPS <b>PLUS</b> bolt on	incl. idler guide	W1	2227105
W 150 CFi	0813	1 - 9999	Idler assembly	EPS <b>PLUS</b> ; Poly Grip; EPS <b>PLUS</b> bolt on	incl. idler guide	W1	2227105
W 150 XFi	0813	1 - 9999	Idler assembly	EPS <b>PLUS</b> ; Poly Grip; EPS <b>PLUS</b> bolt on	incl. idler guide	W1	2227105
W 1900	0820	1 - 9999	Idler unit	EPS <b>PLUS</b> ; Poly Grip; EPS <b>PLUS</b> bolt on	complete, incl. rear tensioner unit	W1	106031
				EPS <b>PLUS</b> ; Poly Grip; EPS <b>PLUS</b> bolt on	complete, incl. front tensioner unit	W1	106030
W 195	1820	1 - 9999	Idler unit	EPS <b>PLUS</b> ; Poly Grip; EPS <b>PLUS</b> bolt on	incl. idler guide	W1	2139776
W 2000	0620	1 - 9999	Idler unit	EPS <b>PLUS</b> ; Poly Grip	complete, incl. tensioner unit	W2	121231
				EPS <b>PLUS</b> ; Poly Grip	incl. idler guide	W2	121232
	1120	88 - 9999	Idler unit	EPS <b>PLUS</b> ; Poly Grip	complete, incl. tensioner unit	W3	121231

# UNDERCARRIAGE CRAWLER DRIVE

IDLERS							
Series code	Serial code	Series range	Part	Track pad system	Package includes	Crawler size	Part no.
W 200	1220	1 - 9999	Idler unit	EPS <b>PLUS</b> ; Poly Grip; EPS <b>PLUS</b> bolt on	incl. idler guide	W1	2139776
W 200i	1420	1 - 9999	Idler unit	EPS <b>PLUS</b> ; Poly Grip; EPS <b>PLUS</b> bolt on	incl. idler guide	W1	2139776
W 200 F	2020	1 - 9999	Idler unit	EPS <b>PLUS</b> ; Poly Grip; EPS <b>PLUS</b> bolt on	incl. idler guide	W1	2139776
W 200 Fi	2120	1 - 9999	Idler unit	EPS <b>PLUS</b> ; Poly Grip; EPS <b>PLUS</b> bolt on	incl. idler guide	W1	2139776
W 200 H	1620	1 - 9999	Idler unit	EPS <b>PLUS</b> ; Poly Grip; EPS <b>PLUS</b> bolt on	incl. idler guide	W1	2139776
W 200 Hi	1720	1 - 9999	Idler unit	EPS <b>PLUS</b> ; Poly Grip; EPS <b>PLUS</b> bolt on	incl. idler guide	W1	2139776
W 205	2520	1 - 9999	Idler unit	EPS <b>PLUS</b> ; Poly Grip; EPS <b>PLUS</b> bolt on	incl. idler guide	W2	2139776
W 207 Fi	2120	1 - 9999	Idler unit	EPS <b>PLUS</b> ; Poly Grip; EPS <b>PLUS</b> bolt on	incl. idler guide	W2	2139776
W 2100	0921	1 - 147	Idler unit	EPS <b>PLUS</b> ; Poly Grip	incl. idler guide	W3	73749
		148 - 9999	Idler unit	EPS <b>PLUS</b> ; Poly Grip	incl. idler guide	W3	191689
W 210	1320	6 - 9999	Idler unit	EPS <b>PLUS</b> ; Poly Grip; EPS <b>PLUS</b> bolt on	incl. idler guide	W2	2139776
W 210i	1520	1 - 9999	Idler unit	EPS <b>PLUS</b> ; Poly Grip; EPS <b>PLUS</b> bolt on	incl. idler guide	W2	2139776
W 210 Fi	2320	1 - 9999	Idler unit	EPS <b>PLUS</b> ; Poly Grip; EPS <b>PLUS</b> bolt on	incl. idler guide	W2	2139776
W 210 XP	2420	1 - 9999	Idler unit	EPS <b>PLUS</b> ; Poly Grip; EPS <b>PLUS</b> bolt on	incl. idler guide	W2	2139776
W 215	1920	1 - 9999	Idler unit	EPS <b>PLUS</b> ; Poly Grip; EPS <b>PLUS</b> bolt on	incl. idler guide	W2	2139776
W 2200	0821	1 - 9999	Idler unit	EPS <b>PLUS</b> ; Poly Grip	incl. idler guide	W5	133014
W 220	0522	1 - 9999	Idler unit	EPS <b>PLUS</b> ; Poly Grip	incl. idler guide	W4	191689
W 220i	0722	1 - 9999	Idler unit	EPS <b>PLUS</b> ; Poly Grip	incl. idler guide	W3	191689
W 220 Fi	1122	1 - 9999	Idler unit	EPS <b>PLUS</b> ; Poly Grip	incl. idler guide	W4	191689
W 250	0422	3 - 9999	Idler unit	EPS <b>PLUS</b> ; Poly Grip	incl. idler guide	W5	133014
W 250i	0622	3 - 9999	Idler unit	EPS <b>PLUS</b> ; Poly Grip	incl. idler guide	W5	133014
W 250 Fi	1322	1 - 9999	Idler unit	EPS <b>PLUS</b> ; Poly Grip	incl. idler guide	W5	133014
2200 CR	0821	1 - 9999	Idler unit	EPS <b>PLUS</b> ; Poly Grip	incl. idler guide	W5	133014
W 240 CR	03CR	1 - 9999	Idler unit	EPS <b>PLUS</b> ; Poly Grip	incl. idler guide	W5	133014
W 240 CRi	04CR	1 - 9999	Idler unit	EPS <b>PLUS</b> ; Poly Grip	incl. idler guide	W5	133014
W 380 CR	03CR	1 - 9999	Idler unit	EPS <b>PLUS</b> ; Poly Grip	incl. idler guide	W5	133014



IDLERS							
Series code	Serial code	Series range	Part	Track pad system	Package includes	Crawler size	Part no.
W 380 CRi	04CR	1 - 9999	Idler unit	EPS <b>PLUS</b> ; Poly Grip	incl. idler guide	W5	133014
SP 150	09SP	1 - 9999	Idler unit	EPS <b>PLUS</b> ; Poly Grip; EPS <b>PLUS</b> bolt on	incl. idler guide	W1	87705
SP 15	12SP	1 - 9999	Idler unit	EPS <b>PLUS</b> ; Poly Grip; EPS <b>PLUS</b> bolt on	incl. idler guide	W1	87705
SP 15i	14SP	1 - 9999	Idler unit	EPS <b>PLUS</b> ; Poly Grip; EPS <b>PLUS</b> bolt on	incl. idler guide	W1	87705

## TENSIONER UNITS

The tensioner unit always ensures that the crawler unit chain is optimally tensioned. Specially adapted to the respective requirement, either a spring-loaded grease tensioning cylinder or a hydraulic tensioning cylinder is used.



TENSIONER UNITS							
Series code	Serial code	Part	Track pad system	Version	Crawler size	Position	Part no.
W 100 Fi	2710	Complete tensioning unit	EPS <b>PLUS</b> ; Poly Grip; EPS <b>PLUS</b> bolt on	Hydraulic cylinder-system	W1		2474315
W 1000 F	0710	Complete tensioner unit	EPS <b>PLUS</b> ; Poly Grip; EPS <b>PLUS</b> bolt on	Hydraulic cylinder-system	W1		129987
W 100 F	0810	Complete tensioning unit	EPS <b>PLUS</b> ; Poly Grip; EPS <b>PLUS</b> bolt on	Hydraulic cylinder-system	W1		2474315
W 100 Fi	1310	Complete tensioning unit	EPS <b>PLUS</b> ; Poly Grip; EPS <b>PLUS</b> bolt on	Hydraulic cylinder-system	W1		2474315
W 100 CF	1710	Complete tensioning unit	EPS <b>PLUS</b> ; Poly Grip; EPS <b>PLUS</b> bolt on	Hydraulic cylinder-system	W1		2474315
W 100 CFi	1810	Complete tensioning unit	EPS <b>PLUS</b> ; Poly Grip; EPS <b>PLUS</b> bolt on	Hydraulic cylinder-system	W1		2474315

# UNDERCARRIAGE CRAWLER DRIVE

TENSIONER UNITS							
Series code	Serial code	Part	Track pad system	Version	Crawler size	Position	Part no.
W 100 XFi	1810	Complete tensioning unit	EPS <b>PLUS</b> ; Poly Grip; EPS <b>PLUS</b> bolt on	Hydraulic cylinder-system	W1		2474315
W 1200 F	0710	Complete tensioner unit	EPS <b>PLUS</b> ; Poly Grip; EPS <b>PLUS</b> bolt on	Hydraulic cylinder-system	W1		129987
W 120 F	0810	Complete tensioning unit	EPS <b>PLUS</b> ; Poly Grip; EPS <b>PLUS</b> bolt on	Hydraulic cylinder-system	W1		2474315
W 120 Fi	1310	Complete tensioning unit	EPS <b>PLUS</b> ; Poly Grip; EPS <b>PLUS</b> bolt on	Hydraulic cylinder-system	W1		2474315
W 120 CF	1710	Complete tensioning unit	EPS <b>PLUS</b> ; Poly Grip; EPS <b>PLUS</b> bolt on	Hydraulic cylinder-system	W1		2474315
W 120 CFi	1810	Complete tensioning unit	EPS <b>PLUS</b> ; Poly Grip; EPS <b>PLUS</b> bolt on	Hydraulic cylinder-system	W1		2474315
W 120 XTi	1810	Complete tensioning unit	EPS <b>PLUS</b> ; Poly Grip; EPS <b>PLUS</b> bolt on	Hydraulic cylinder-system	W1		2474315
W 120 XFi	1810	Complete tensioning unit	EPS <b>PLUS</b> ; Poly Grip; EPS <b>PLUS</b> bolt on	Hydraulic cylinder-system	W1		2474315
W 120 Fi	2710	Complete tensioning unit	EPS <b>PLUS</b> ; Poly Grip; EPS <b>PLUS</b> bolt on	Hydraulic cylinder-system	W1		2474315
W 120 FTi	2710	Complete tensioning unit	EPS <b>PLUS</b> ; Poly Grip; EPS <b>PLUS</b> bolt on	Hydraulic cylinder-system	W1		2474315
W 1300 F	0710	Complete tensioner unit	EPS <b>PLUS</b> ; Poly Grip; EPS <b>PLUS</b> bolt on	Hydraulic cylinder-system	W1		129987
W 130 F	0810	Complete tensioning unit	EPS <b>PLUS</b> ; Poly Grip; EPS <b>PLUS</b> bolt on	Hydraulic cylinder-system	W1		2474315
W 130 Fi	1310	Complete tensioning unit	EPS <b>PLUS</b> ; Poly Grip; EPS <b>PLUS</b> bolt on	Hydraulic cylinder-system	W1		2474315



TENSIONER UNITS							
Series code	Serial code	Part	Track pad system	Version	Crawler size	Position	Part no.
W 130 CF	1710	Complete tensioning unit	EPS <b>PLUS</b> ; Poly Grip; EPS <b>PLUS</b> bolt on	Hydraulic cylinder-system	W1		2474315
W 130 CFi	1810	Complete tensioning unit	EPS <b>PLUS</b> ; Poly Grip; EPS <b>PLUS</b> bolt on	Hydraulic cylinder-system	W1		2474315
W 130 XFi	1810	Complete tensioning unit	EPS <b>PLUS</b> ; Poly Grip; EPS <b>PLUS</b> bolt on	Hydraulic cylinder-system	W1		2474315
W 130 Fi	2710	Complete tensioning unit	EPS <b>PLUS</b> ; Poly Grip; EPS <b>PLUS</b> bolt on	Hydraulic cylinder-system	W1		2474315
W 1500	0820	Complete tensioner unit	EPS <b>PLUS</b> ; Poly Grip; EPS <b>PLUS</b> bolt on	Spring/grease system	W1	rear	106036
			EPS <b>PLUS</b> ; Poly Grip; EPS <b>PLUS</b> bolt on	Spring/grease system	W1	front	106035
W 150	0513	Complete tensioning unit	EPS <b>PLUS</b> ; Poly Grip; EPS <b>PLUS</b> bolt on	Hydraulic cylinder-system	W1		2474315
W 150i	0613	Complete tensioning unit	EPS <b>PLUS</b> ; Poly Grip; EPS <b>PLUS</b> bolt on	Hydraulic cylinder-system	W1		2474315
W 150 CF	0713	Complete tensioning unit	EPS <b>PLUS</b> ; Poly Grip; EPS <b>PLUS</b> bolt on	Hydraulic cylinder-system	W1		2474315
W 150 CFi	0813	Complete tensioning unit	EPS <b>PLUS</b> ; Poly Grip; EPS <b>PLUS</b> bolt on	Hydraulic cylinder-system	W1		2474315
W 150 XFi	0813	Complete tensioning unit	EPS <b>PLUS</b> ; Poly Grip; EPS <b>PLUS</b> bolt on	Hydraulic cylinder-system	W1		2474315
W 1900	0820	Complete tensioner unit	EPS <b>PLUS</b> ; Poly Grip; EPS <b>PLUS</b> bolt on	Spring/grease system	W1	rear	106036
			EPS <b>PLUS</b> ; Poly Grip; EPS <b>PLUS</b> bolt on	Spring/grease system	W1	front	106035

# UNDERCARRIAGE CRAWLER DRIVE

TENSIONER UNITS							
Series code	Serial code	Part	Track pad system	Version	Crawler size	Position	Part no.
W 1900	0920, 1020	Complete tensioner unit	EPS <b>PLUS</b> ; Poly Grip; EPS <b>PLUS</b> bolt on	Spring/grease system	W1	front	106035
			EPS <b>PLUS</b> ; Poly Grip; EPS <b>PLUS</b> bolt on	Spring/grease system	W1	rear	106036
W 195	1820	Complete tensioner unit	EPS <b>PLUS</b> ; Poly Grip; EPS <b>PLUS</b> bolt on	Spring/grease system	W1		2533501
W 2000	0620, 1120	Complete tensioner unit	EPS <b>PLUS</b> ; Poly Grip	Spring/grease system	W3		121233
W 200	1220	Complete tensioning unit	EPS <b>PLUS</b> ; Poly Grip; EPS <b>PLUS</b> bolt on	Hydraulic cylinder-system	W1		2474315
W 200i	1420	Complete tensioning unit	EPS <b>PLUS</b> ; Poly Grip; EPS <b>PLUS</b> bolt on	Hydraulic cylinder-system	W1		2474315
W 200 F	2020	Complete tensioning unit	EPS <b>PLUS</b> ; Poly Grip; EPS <b>PLUS</b> bolt on	Hydraulic cylinder-system	W1		2474315
W 200 Fi	2120	Complete tensioning unit	EPS <b>PLUS</b> ; Poly Grip; EPS <b>PLUS</b> bolt on	Hydraulic cylinder-system	W1		2474315
W 200 H	1620	Complete tensioning unit	EPS <b>PLUS</b> ; Poly Grip; EPS <b>PLUS</b> bolt on	Hydraulic cylinder-system	W1		2474315
W 200 Hi	1720	Complete tensioning unit	EPS <b>PLUS</b> ; Poly Grip; EPS <b>PLUS</b> bolt on	Hydraulic cylinder-system	W1		2474315
W 205	2520	Complete tensioner unit	EPS <b>PLUS</b> ; Poly Grip; EPS <b>PLUS</b> bolt on	Spring/grease system	W3		2533501
W 207 Fi	2120	Complete tensioning unit	EPS <b>PLUS</b> ; Poly Grip; EPS <b>PLUS</b> bolt on	Hydraulic cylinder-system	W3		2474315
W 2100	0921	Complete tensioner unit	EPS <b>PLUS</b> ; Poly Grip	Hydraulic cylinder-system	W4		133015
W 210	1320	Complete tensioning unit	EPS <b>PLUS</b> ; Poly Grip; EPS <b>PLUS</b> bolt on	Hydraulic cylinder-system	W3		2474315



TENSIONER UNITS							
Series code	Serial code	Part	Track pad system	Version	Crawler size	Position	Part no.
W 210i	1520	Complete tensioning unit	EPS <b>PLUS</b> ; Poly Grip; EPS <b>PLUS</b> bolt on	Hydraulic cylinder-system	W3		2474315
W 210 Fi	2320	Complete tensioning unit	EPS <b>PLUS</b> ; Poly Grip; EPS <b>PLUS</b> bolt on	Hydraulic cylinder-system	W3		2474315
W 210 XP	2420	Complete tensioning unit	EPS <b>PLUS</b> ; Poly Grip; EPS <b>PLUS</b> bolt on	Hydraulic cylinder-system	W3		2474315
W 215	1920	Complete tensioner unit	EPS <b>PLUS</b> ; Poly Grip; EPS <b>PLUS</b> bolt on	Spring/grease system	W3		2533501
W 2200	0821	Complete tensioner unit	EPS <b>PLUS</b> ; Poly Grip	Hydraulic cylinder-system	W5		133015
W 220	0522	Complete tensioner unit	EPS <b>PLUS</b> ; Poly Grip	Hydraulic cylinder-system	W4		133015
W 220i	0722	Complete tensioner unit	EPS <b>PLUS</b> ; Poly Grip	Hydraulic cylinder-system	W4		133015
W 220 Fi	1122	Complete tensioner unit	EPS <b>PLUS</b> ; Poly Grip	Hydraulic cylinder-system	W4		133015
W 250	0422	Complete tensioner unit	EPS <b>PLUS</b> ; Poly Grip	Hydraulic cylinder-system	W5		133015
W 250i	0622	Complete tensioner unit	EPS <b>PLUS</b> ; Poly Grip	Hydraulic cylinder-system	W5		133015
W 250 Fi	1322	Complete tensioner unit	EPS <b>PLUS</b> ; Poly Grip	Hydraulic cylinder-system	W5		133015
2200 CR	0821	Complete tensioner unit	EPS <b>PLUS</b> ; Poly Grip	Hydraulic cylinder-system	W5		133015
W 240 CR	03CR	Complete tensioner unit	EPS <b>PLUS</b> ; Poly Grip	Hydraulic cylinder-system	W5		133015
W 240 CRi	04CR	Complete tensioner unit	EPS <b>PLUS</b> ; Poly Grip	Hydraulic cylinder-system	W5		133015
W 380 CR	03CR	Complete tensioner unit	EPS <b>PLUS</b> ; Poly Grip	Hydraulic cylinder-system	W5		133015
W 380 CRi	04CR	Complete tensioner unit	EPS <b>PLUS</b> ; Poly Grip	Hydraulic cylinder-system	W5		133015
SP 150	09SP	Complete tensioning unit	EPS <b>PLUS</b> ; Poly Grip; EPS <b>PLUS</b> bolt on	Hydraulic cylinder-system	W1		2474315
SP 15	12SP	Complete tensioning unit	EPS <b>PLUS</b> ; Poly Grip; EPS <b>PLUS</b> bolt on	Hydraulic cylinder-system	W1		2474315
SP 15i	14SP	Complete tensioning unit	EPS <b>PLUS</b> ; Poly Grip; EPS <b>PLUS</b> bolt on	Hydraulic cylinder-system	W1		2474315

# UNDERCARRIAGE CRAWLER DRIVE

## SERVICE PACKAGES FOR TRACK PADS

The service packages for track pads are our comprehensive, full-service packages for you. In order to achieve optimal wear characteristics, all track pads of a crawler unit should be exchanged at the same time. The packages contain all you need for wear-optimised, fast and uncomplicated changing of your track pads. Wirtgen track pad service packages ensure that you always get the very best from your machines.



SERVICE PACKAGES FOR TRACK PADS							
Series code	Serial code	Track pad system	Package type	Packaging unit	Crawler size	Track pads per crawler unit	Part no.
W 100 Fi	2710	EPS <b>PLUS</b>	Service package I	20 pc.	W1	20 pc.	2063498
		EPS <b>PLUS</b> bolt on	Service package II	20 pc.	W1	20 pc.	2759108
		EPS <b>PLUS</b>	Service package II	20 pc.	W1	20 pc.	2063504
		EPS <b>PLUS</b>	Service package III	200 pc.	W1	20 pc.	2275797
W 1000 F	0710	EPS <b>PLUS</b>	Service package I	20 pc.	W1	20 pc.	2063498
		Poly Grip	Service package I	20 pc.	W1	20 pc.	162455
		Poly Grip	Service package II	200 pc.	W1	20 pc.	2063664
		EPS <b>PLUS</b> bolt on	Service package II	20 pc.	W1	20 pc.	2759108
		EPS <b>PLUS</b>	Service package II	20 pc.	W1	20 pc.	2063504
		EPS <b>PLUS</b>	Service package III	200 pc.	W1	20 pc.	2275797
W 100 F	0810	EPS <b>PLUS</b>	Service package I	20 pc.	W1	20 pc.	2063498
		Poly Grip	Service package I	20 pc.	W1	20 pc.	162455
		Poly Grip	Service package II	200 pc.	W1	20 pc.	2063664
		EPS <b>PLUS</b> bolt on	Service package II	20 pc.	W1	20 pc.	2759108
		EPS <b>PLUS</b>	Service package II	20 pc.	W1	20 pc.	2063504
		EPS <b>PLUS</b>	Service package III	200 pc.	W1	20 pc.	2275797
W 100 Fi	1310	EPS <b>PLUS</b>	Service package I	20 pc.	W1	20 pc.	2063498
		Poly Grip	Service package I	20 pc.	W1	20 pc.	162455
		Poly Grip	Service package II	200 pc.	W1	20 pc.	2063664
		EPS <b>PLUS</b> bolt on	Service package II	20 pc.	W1	20 pc.	2759108

Further details on the displayed package types can be found at the end of the chapter "Service packages for track pads".





SERVICE PACKAGES FOR TRACK PADS							
Series code	Serial code	Track pad system	Package type	Packaging unit	Crawler size	Track pads per crawler unit	Part no.
W 100 Fi	1310	EPS <b>PLUS</b>	Service package II	20 pc.	W1	20 pc.	2063504
		EPS <b>PLUS</b>	Service package III	200 pc.	W1	20 pc.	2275797
W 100 CF	1710	EPS <b>PLUS</b>	Service package I	20 pc.	W1	20 pc.	2063498
		EPS <b>PLUS</b> bolt on	Service package II	20 pc.	W1	20 pc.	2759108
		EPS <b>PLUS</b>	Service package II	20 pc.	W1	20 pc.	2063504
		EPS <b>PLUS</b>	Service package III	200 pc.	W1	20 pc.	2275797
W 100 CFi	1810	EPS <b>PLUS</b>	Service package I	20 pc.	W1	20 pc.	2063498
		EPS <b>PLUS</b> bolt on	Service package II	20 pc.	W1	20 pc.	2759108
		EPS <b>PLUS</b>	Service package II	20 pc.	W1	20 pc.	2063504
		EPS <b>PLUS</b>	Service package III	200 pc.	W1	20 pc.	2275797
W 100 XFi	1810	EPS <b>PLUS</b>	Service package I	20 pc.	W1	20 pc.	2063498
		EPS <b>PLUS</b> bolt on	Service package II	20 pc.	W1	20 pc.	2759108
		EPS <b>PLUS</b>	Service package II	20 pc.	W1	20 pc.	2063504
		EPS <b>PLUS</b>	Service package III	200 pc.	W1	20 pc.	2275797
W 1200 F	0710	EPS <b>PLUS</b>	Service package I	20 pc.	W1	20 pc.	2063498
		Poly Grip	Service package I	20 pc.	W1	20 pc.	162455
		Poly Grip	Service package II	200 pc.	W1	20 pc.	2063664
		EPS <b>PLUS</b> bolt on	Service package II	20 pc.	W1	20 pc.	2759108
		EPS <b>PLUS</b>	Service package II	20 pc.	W1	20 pc.	2063504
		EPS <b>PLUS</b>	Service package III	200 pc.	W1	20 pc.	2275797
W 120 F	0810	EPS <b>PLUS</b>	Service package I	20 pc.	W1	20 pc.	2063498
		Poly Grip	Service package I	20 pc.	W1	20 pc.	162455
		Poly Grip	Service package II	200 pc.	W1	20 pc.	2063664
		EPS <b>PLUS</b> bolt on	Service package II	20 pc.	W1	20 pc.	2759108
		EPS <b>PLUS</b>	Service package II	20 pc.	W1	20 pc.	2063504
		EPS <b>PLUS</b>	Service package III	200 pc.	W1	20 pc.	2275797

Further details on the displayed package types can be found at the end of the chapter "Service packages for track pads".

# UNDERCARRIAGE CRAWLER DRIVE

SERVICE PACKAGES FOR TRACK PADS							
Series code	Serial code	Track pad system	Package type	Packaging unit	Crawler size	Track pads per crawler unit	Part no.
W 120 Fi	1310	EPS <b>PLUS</b>	Service package I	20 pc.	W1	20 pc.	2063498
		Poly Grip	Service package I	20 pc.	W1	20 pc.	162455
		Poly Grip	Service package II	200 pc.	W1	20 pc.	2063664
		EPS <b>PLUS</b> bolt on	Service package II	20 pc.	W1	20 pc.	2759108
		EPS <b>PLUS</b>	Service package II	20 pc.	W1	20 pc.	2063504
		EPS <b>PLUS</b>	Service package III	200 pc.	W1	20 pc.	2275797
W 120 CF	1710	EPS <b>PLUS</b>	Service package I	20 pc.	W1	20 pc.	2063498
		EPS <b>PLUS</b> bolt on	Service package II	20 pc.	W1	20 pc.	2759108
		EPS <b>PLUS</b>	Service package II	20 pc.	W1	20 pc.	2063504
		EPS <b>PLUS</b>	Service package III	200 pc.	W1	20 pc.	2275797
W 120 CFi	1810	EPS <b>PLUS</b>	Service package I	20 pc.	W1	20 pc.	2063498
		EPS <b>PLUS</b> bolt on	Service package II	20 pc.	W1	20 pc.	2759108
		EPS <b>PLUS</b>	Service package II	20 pc.	W1	20 pc.	2063504
		EPS <b>PLUS</b>	Service package III	200 pc.	W1	20 pc.	2275797
W 120 XTi	1810	EPS <b>PLUS</b>	Service package I	20 pc.	W1	20 pc.	2063498
		EPS <b>PLUS</b> bolt on	Service package II	20 pc.	W1	20 pc.	2759108
		EPS <b>PLUS</b>	Service package II	20 pc.	W1	20 pc.	2063504
		EPS <b>PLUS</b>	Service package III	200 pc.	W1	20 pc.	2275797
W 120 XFi	1810	EPS <b>PLUS</b>	Service package I	20 pc.	W1	20 pc.	2063498
		EPS <b>PLUS</b> bolt on	Service package II	20 pc.	W1	20 pc.	2759108
		EPS <b>PLUS</b>	Service package II	20 pc.	W1	20 pc.	2063504
		EPS <b>PLUS</b>	Service package III	200 pc.	W1	20 pc.	2275797
W 120 Fi	2710	EPS <b>PLUS</b>	Service package I	20 pc.	W1	20 pc.	2063498
		EPS <b>PLUS</b> bolt on	Service package II	20 pc.	W1	20 pc.	2759108
		EPS <b>PLUS</b>	Service package II	20 pc.	W1	20 pc.	2063504
		EPS <b>PLUS</b>	Service package III	200 pc.	W1	20 pc.	2275797

Further details on the displayed package types can be found at the end of the chapter "Service packages for track pads".



SERVICE PACKAGES FOR TRACK PADS							
Series code	Serial code	Track pad system	Package type	Packaging unit	Crawler size	Track pads per crawler unit	Part no.
W 120 FTi	2710	EPS <b>PLUS</b>	Service package I	20 pc.	W1	20 pc.	2063498
		EPS <b>PLUS</b> bolt on	Service package II	20 pc.	W1	20 pc.	2759108
		EPS <b>PLUS</b>	Service package II	20 pc.	W1	20 pc.	2063504
		EPS <b>PLUS</b>	Service package III	200 pc.	W1	20 pc.	2275797
W 1300 F	0710	Poly Grip	Service package I	20 pc.	W1	20 pc.	162455
		EPS <b>PLUS</b>	Service package I	20 pc.	W1	20 pc.	2063498
		EPS <b>PLUS</b> bolt on	Service package II	20 pc.	W1	20 pc.	2759108
		EPS <b>PLUS</b>	Service package II	20 pc.	W1	20 pc.	2063504
		Poly Grip	Service package II	200 pc.	W1	20 pc.	2063664
		EPS <b>PLUS</b>	Service package III	200 pc.	W1	20 pc.	2275797
W 130 F	0810	EPS <b>PLUS</b>	Service package I	20 pc.	W1	20 pc.	2063498
		Poly Grip	Service package I	20 pc.	W1	20 pc.	162455
		Poly Grip	Service package II	200 pc.	W1	20 pc.	2063664
		EPS <b>PLUS</b> bolt on	Service package II	20 pc.	W1	20 pc.	2759108
		EPS <b>PLUS</b>	Service package II	20 pc.	W1	20 pc.	2063504
		EPS <b>PLUS</b>	Service package III	200 pc.	W1	20 pc.	2275797
W 130 Fi	1310	EPS <b>PLUS</b>	Service package I	20 pc.	W1	20 pc.	2063498
		Poly Grip	Service package I	20 pc.	W1	20 pc.	162455
		Poly Grip	Service package II	200 pc.	W1	20 pc.	2063664
		EPS <b>PLUS</b> bolt on	Service package II	20 pc.	W1	20 pc.	2759108
		EPS <b>PLUS</b>	Service package II	20 pc.	W1	20 pc.	2063504
		EPS <b>PLUS</b>	Service package III	200 pc.	W1	20 pc.	2275797
W 130 CF	1710	EPS <b>PLUS</b>	Service package I	20 pc.	W1	20 pc.	2063498
		EPS <b>PLUS</b> bolt on	Service package II	20 pc.	W1	20 pc.	2759108
		EPS <b>PLUS</b>	Service package II	20 pc.	W1	20 pc.	2063504
		EPS <b>PLUS</b>	Service package III	200 pc.	W1	20 pc.	2275797

Further details on the displayed package types can be found at the end of the chapter "Service packages for track pads".

# UNDERCARRIAGE CRAWLER DRIVE

SERVICE PACKAGES FOR TRACK PADS							
Series code	Serial code	Track pad system	Package type	Packaging unit	Crawler size	Track pads per crawler unit	Part no.
W 130 CFi	1810	EPS <b>PLUS</b>	Service package I	20 pc.	W1	20 pc.	2063498
		EPS <b>PLUS</b> bolt on	Service package II	20 pc.	W1	20 pc.	2759108
		EPS <b>PLUS</b>	Service package II	20 pc.	W1	20 pc.	2063504
		EPS <b>PLUS</b>	Service package III	200 pc.	W1	20 pc.	2275797
W 130 XFi	1810	EPS <b>PLUS</b>	Service package I	20 pc.	W1	20 pc.	2063498
		EPS <b>PLUS</b> bolt on	Service package II	20 pc.	W1	20 pc.	2759108
		EPS <b>PLUS</b>	Service package II	20 pc.	W1	20 pc.	2063504
		EPS <b>PLUS</b>	Service package III	200 pc.	W1	20 pc.	2275797
W 130 Fi	2710	EPS <b>PLUS</b>	Service package I	20 pc.	W1	20 pc.	2063498
		EPS <b>PLUS</b> bolt on	Service package II	20 pc.	W1	20 pc.	2759108
		EPS <b>PLUS</b>	Service package II	20 pc.	W1	20 pc.	2063504
		EPS <b>PLUS</b>	Service package III	200 pc.	W1	20 pc.	2275797
W 1500	0820	Poly Grip	Service package I	24 pc.	W1	24 pc.	85186
		EPS <b>PLUS</b>	Service package I	24 pc.	W1	24 pc.	2063499
		EPS <b>PLUS</b> bolt on	Service package II	24 pc.	W1	24 pc.	2906480
		EPS <b>PLUS</b>	Service package II	24 pc.	W1	24 pc.	2063505
		Poly Grip	Service package II	200 pc.	W1	24 pc.	2063664
		EPS <b>PLUS</b>	Service package III	200 pc.	W1	24 pc.	2275797
W 150	0513	EPS <b>PLUS</b>	Service package I	20 pc.	W1	20 pc.	2063498
		Poly Grip	Service package I	20 pc.	W1	20 pc.	162455
		EPS <b>PLUS</b>	Service package II	20 pc.	W1	20 pc.	2063504
		Poly Grip	Service package II	200 pc.	W1	20 pc.	2063664
		EPS <b>PLUS</b> bolt on	Service package II	20 pc.	W1	20 pc.	2759108
		EPS <b>PLUS</b>	Service package III	200 pc.	W1	20 pc.	2275797
W 150i	0613	EPS <b>PLUS</b>	Service package I	20 pc.	W1	20 pc.	2063498
		Poly Grip	Service package I	20 pc.	W1	20 pc.	162455

Further details on the displayed package types can be found at the end of the chapter "Service packages for track pads".



SERVICE PACKAGES FOR TRACK PADS							
Series code	Serial code	Track pad system	Package type	Packaging unit	Crawler size	Track pads per crawler unit	Part no.
W 150i	0613	EPS <b>PLUS</b>	Service package II	20 pc.	W1	20 pc.	2063504
		Poly Grip	Service package II	200 pc.	W1	20 pc.	2063664
		EPS <b>PLUS</b> bolt on	Service package II	20 pc.	W1	20 pc.	2759108
		EPS <b>PLUS</b>	Service package III	200 pc.	W1	20 pc.	2275797
W 150 CF	0713	EPS <b>PLUS</b>	Service package I	20 pc.	W1	20 pc.	2063498
		EPS <b>PLUS</b>	Service package II	20 pc.	W1	20 pc.	2063504
		EPS <b>PLUS</b> bolt on	Service package II	20 pc.	W1	20 pc.	2759108
		EPS <b>PLUS</b>	Service package III	200 pc.	W1	20 pc.	2275797
W 150 CFi	0813	EPS <b>PLUS</b>	Service package I	20 pc.	W1	20 pc.	2063498
		EPS <b>PLUS</b>	Service package II	20 pc.	W1	20 pc.	2063504
		EPS <b>PLUS</b> bolt on	Service package II	20 pc.	W1	20 pc.	2759108
		EPS <b>PLUS</b>	Service package III	200 pc.	W1	20 pc.	2275797
W 150 XFi	0813	EPS <b>PLUS</b>	Service package I	20 pc.	W1	20 pc.	2063498
		EPS <b>PLUS</b> bolt on	Service package II	20 pc.	W1	20 pc.	2759108
		EPS <b>PLUS</b>	Service package II	20 pc.	W1	20 pc.	2063504
		EPS <b>PLUS</b>	Service package III	200 pc.	W1	20 pc.	2275797
W 1900	0820, 0920, 1020	Poly Grip	Service package I	24 pc.	W1	24 pc.	85186
		EPS <b>PLUS</b>	Service package I	24 pc.	W1	24 pc.	2063499
		EPS <b>PLUS</b> bolt on	Service package II	24 pc.	W1	24 pc.	2906480
		EPS <b>PLUS</b>	Service package II	24 pc.	W1	24 pc.	2063505
		Poly Grip	Service package II	200 pc.	W1	24 pc.	2063664
		EPS <b>PLUS</b>	Service package III	200 pc.	W1	24 pc.	2275797
W 195	1820	EPS <b>PLUS</b>	Service package II	24 pc.	W1	24 pc.	2063505
		EPS <b>PLUS</b> bolt on	Service package II	24 pc.	W1	24 pc.	2906480
		EPS <b>PLUS</b>	Service package III	200 pc.	W1	24 pc.	2275797
W 2000	0620, 1120	EPS <b>PLUS</b>	Service package I	23 pc.	W3	23 pc.	2063500

Further details on the displayed package types can be found at the end of the chapter "Service packages for track pads".

# UNDERCARRIAGE CRAWLER DRIVE

SERVICE PACKAGES FOR TRACK PADS							
Series code	Serial code	Track pad system	Package type	Packaging unit	Crawler size	Track pads per crawler unit	Part no.
W 2000	0620, 1120	Poly Grip	Service package I	23 pc.	W3	23 pc.	162456
		Poly Grip	Service package II	200 pc.	W3	23 pc.	2063665
		EPS <b>PLUS</b> bolt on	Service package II	23 pc.	W3	23 pc.	3017367
		EPS <b>PLUS</b>	Service package II	23 pc.	W3	23 pc.	2063506
		EPS <b>PLUS</b>	Service package III	200 pc.	W3	23 pc.	2275798
W 200	1220	EPS <b>PLUS</b>	Service package II	24 pc.	W1	24 pc.	2063505
		EPS <b>PLUS</b> bolt on	Service package II	24 pc.	W1	24 pc.	2906480
		EPS <b>PLUS</b>	Service package III	200 pc.	W1	24 pc.	2275797
W 200i	1420	EPS <b>PLUS</b> bolt on	Service package II	24 pc.	W1	24 pc.	2906480
		EPS <b>PLUS</b>	Service package II	24 pc.	W1	24 pc.	2063505
		EPS <b>PLUS</b>	Service package III	200 pc.	W1	24 pc.	2275797
W 200 F	2020	EPS <b>PLUS</b> bolt on	Service package II	23 pc.	W1	23 pc.	2906483
		EPS <b>PLUS</b>	Service package II	23 pc.	W1	23 pc.	2703012
		EPS <b>PLUS</b>	Service package III	200 pc.	W1	23 pc.	2275797
W 200 Fi	2120	EPS <b>PLUS</b> bolt on	Service package II	23 pc.	W1	23 pc.	2906483
		EPS <b>PLUS</b>	Service package II	23 pc.	W1	23 pc.	2703012
		EPS <b>PLUS</b>	Service package III	200 pc.	W1	23 pc.	2275797
W 200 H	1620	EPS <b>PLUS</b>	Service package II	24 pc.	W1	24 pc.	2063505
		EPS <b>PLUS</b> bolt on	Service package II	24 pc.	W1	24 pc.	2906480
		EPS <b>PLUS</b>	Service package III	200 pc.	W1	24 pc.	2275797
W 200 Hi	1720	EPS <b>PLUS</b> bolt on	Service package II	24 pc.	W1	24 pc.	2906480
		EPS <b>PLUS</b>	Service package II	24 pc.	W1	24 pc.	2063505
		EPS <b>PLUS</b>	Service package III	200 pc.	W1	24 pc.	2275797
W 205	2520	EPS <b>PLUS</b> bolt on	Service package II	23 pc.	W3	23 pc.	3017367
		EPS <b>PLUS</b>	Service package II	23 pc.	W3	23 pc.	2063506
		EPS <b>PLUS</b>	Service package III	200 pc.	W3	23 pc.	2275798

Further details on the displayed package types can be found at the end of the chapter "Service packages for track pads".



SERVICE PACKAGES FOR TRACK PADS							
Series code	Serial code	Track pad system	Package type	Packaging unit	Crawler size	Track pads per crawler unit	Part no.
W 207 Fi	2120	EPS <b>PLUS</b>	Service package II	23 pc.	W3	23 pc.	2063506
		EPS <b>PLUS</b> bolt on	Service package II	23 pc.	W3	23 pc.	3017367
		EPS <b>PLUS</b>	Service package III	200 pc.	W3	23 pc.	2275798
W 2100	0921	Poly Grip	Service package I	24 pc.	W4	24 pc.	165045
		EPS <b>PLUS</b>	Service package I	24 pc.	W4	24 pc.	2063502
		EPS <b>PLUS</b>	Service package II	24 pc.	W4	24 pc.	2063649
		Poly Grip	Service package II	100 pc.	W4	24 pc.	2063666
		EPS <b>PLUS</b>	Service package III	100 pc.	W4	24 pc.	2275799
W 210	1320	EPS <b>PLUS</b>	Service package II	23 pc.	W3	23 pc.	2063506
		EPS <b>PLUS</b> bolt on	Service package II	23 pc.	W3	23 pc.	3017367
		EPS <b>PLUS</b>	Service package III	200 pc.	W3	23 pc.	2275798
W 210i	1520	EPS <b>PLUS</b>	Service package II	23 pc.	W3	23 pc.	2063506
		EPS <b>PLUS</b> bolt on	Service package II	23 pc.	W3	23 pc.	3017367
		EPS <b>PLUS</b>	Service package III	200 pc.	W3	23 pc.	2275798
W 210 Fi	2320	EPS <b>PLUS</b> bolt on	Service package II	23 pc.	W3	23 pc.	3017367
		EPS <b>PLUS</b>	Service package II	23 pc.	W3	23 pc.	2063506
		EPS <b>PLUS</b>	Service package III	200 pc.	W3	23 pc.	2275798
W 210 XP	2420	EPS <b>PLUS</b> bolt on	Service package II	23 pc.	W3	23 pc.	3017367
		EPS <b>PLUS</b>	Service package II	23 pc.	W3	23 pc.	2063506
		EPS <b>PLUS</b>	Service package III	200 pc.	W3	23 pc.	2275798
W 215	1920	EPS <b>PLUS</b> bolt on	Service package II	23 pc.	W3	23 pc.	3017367
		EPS <b>PLUS</b>	Service package II	23 pc.	W3	23 pc.	2063506
		EPS <b>PLUS</b>	Service package III	200 pc.	W3	23 pc.	2275798
W 2200	0821	Poly Grip	Service package I	26 pc.	W5	26 pc.	130346
		EPS <b>PLUS</b>	Service package I	26 pc.	W5	26 pc.	2063503
		EPS <b>PLUS</b>	Service package II	26 pc.	W5	26 pc.	2063650

Further details on the displayed package types can be found at the end of the chapter "Service packages for track pads".

# UNDERCARRIAGE CRAWLER DRIVE

SERVICE PACKAGES FOR TRACK PADS							
Series code	Serial code	Track pad system	Package type	Packaging unit	Crawler size	Track pads per crawler unit	Part no.
W 2200	0821	Poly Grip	Service package II	104 pc.	W5	26 pc.	2063667
		EPS <b>PLUS</b>	Service package III	104 pc.	W5	26 pc.	2275800
W 220	0522	EPS <b>PLUS</b>	Service package II	24 pc.	W4	24 pc.	2063649
		EPS <b>PLUS</b>	Service package III	100 pc.	W4	24 pc.	2275799
W 220i	0722	EPS <b>PLUS</b>	Service package II	24 pc.	W4	24 pc.	2063649
		EPS <b>PLUS</b>	Service package III	100 pc.	W4	24 pc.	2275799
W 220 Fi	1122	EPS <b>PLUS</b>	Service package II	24 pc.	W4	24 pc.	2063649
		EPS <b>PLUS</b>	Service package III	100 pc.	W4	24 pc.	2275799
W 250	0422	EPS <b>PLUS</b>	Service package II	26 pc.	W5	26 pc.	2063650
		EPS <b>PLUS</b>	Service package III	104 pc.	W5	26 pc.	2275800
W 250i	0622	EPS <b>PLUS</b>	Service package II	26 pc.	W5	26 pc.	2063650
		EPS <b>PLUS</b>	Service package III	104 pc.	W5	26 pc.	2275800
W 250 Fi	1322	EPS <b>PLUS</b>	Service package II	26 pc.	W5	26 pc.	2063650
		EPS <b>PLUS</b>	Service package III	104 pc.	W5	26 pc.	2275800
2200 CR	0821	EPS <b>PLUS</b>	Service package I	26 pc.	W5	26 pc.	2063503
		EPS <b>PLUS</b>	Service package II	26 pc.	W5	26 pc.	2063650
		EPS <b>PLUS</b>	Service package III	104 pc.	W5	26 pc.	2275800
W 240 CR	03CR	EPS <b>PLUS</b>	Service package II	26 pc.	W5	26 pc.	2063650
		EPS <b>PLUS</b>	Service package III	104 pc.	W5	26 pc.	2275800
W 240 CRi	04CR	EPS <b>PLUS</b>	Service package II	26 pc.	W5	26 pc.	2063650
		EPS <b>PLUS</b>	Service package III	104 pc.	W5	26 pc.	2275800
W 380 CR	03CR	EPS <b>PLUS</b>	Service package II	26 pc.	W5	26 pc.	2063650
		EPS <b>PLUS</b>	Service package III	104 pc.	W5	26 pc.	2275800
W 380 CRi	04CR	EPS <b>PLUS</b>	Service package II	26 pc.	W5	26 pc.	2063650
		EPS <b>PLUS</b>	Service package III	104 pc.	W5	26 pc.	2275800
SP 150	09SP	Poly Grip	Service package I	20 pc.	W1	20 pc.	162455

Further details on the displayed package types can be found at the end of the chapter "Service packages for track pads".





SERVICE PACKAGES FOR TRACK PADS							
Series code	Serial code	Track pad system	Package type	Packaging unit	Crawler size	Track pads per crawler unit	Part no.
SP 150	09SP	Poly Grip	Service package II	200 pc.	W1	20 pc.	2063664
SP 15	12SP	Poly Grip	Service package I	20 pc.	W1	20 pc.	162455
		Poly Grip	Service package II	200 pc.	W1	20 pc.	2063664
SP 15i	14SP	Poly Grip	Service package I	20 pc.	W1	20 pc.	162455
		Poly Grip	Service package II	200 pc.	W1	20 pc.	2063664

# UNDERCARRIAGE CRAWLER DRIVE

ADDITIONAL INFORMATION ON THE PACKAGE CONTENTS OF THE SERVICE PACKAGES FOR THE TRACK PAD SYSTEMS		
Track pad system	Package type	Package content
EPS <b>PLUS</b>	Service package I	1 Package contains all the components needed to convert a crawler unit to EPS <b>PLUS</b>
EPS <b>PLUS</b>	Service package II	1 Package contains all the components needed to mount the track pads to the crawler unit
EPS <b>PLUS</b>	Service package III	1 Package contains all the components needed to mount the number of track pads indicated under packaging unit
EPS <b>PLUS</b> bolt on	Service package II	1 Package contains all the components needed to mount the track pads to the crawler unit
Poly Grip	Service package I	1 Package contains all the components needed to mount the track pads to the crawler unit
Poly Grip	Service package II	1 Package contains all the components needed to mount the number of track pads indicated under packaging unit



# UNDERCARRIAGE WHEEL DRIVE



Machine traction plays an extremely important role in achieving optimum milling performance. The objective is to ensure that the machine and the wheels are perfectly compatible with each other. Genuine WIRTGEN wheels have been designed on

the basis of many years of experience to achieve the best possible results with WIRTGEN small milling machines and cold recyclers and to minimise wear costs.



> Read more online

## TYRES

Tyres made of cut-resistant elastomer optimise the characteristic properties of the WIRTGEN small milling machines.



TYRES				
Series code	Serial code	Series range	Position	Part no.
W 35 DC	0403	1 - 9999	front	2138566
W 35 Ri	0703	1 - 9999	front	2138566
W 500	0605	1 - 9999	3 wheels, front; 3 wheels, rear; 4 wheels, rear	57151

# UNDERCARRIAGE WHEEL DRIVE

TYRES				
Series code	Serial code	Series range	Position	Part no.
W 500	0605	1 - 9999	4 wheels, front	74626
W 50	0805	1 - 67	3 wheels, rear; 4 wheels, rear	171108
		1 - 9999	4 wheels, front	2136645
			3 wheels, front	2136675
		68 - 9999	3 wheels, rear; 4 wheels, rear	2136675
	1005	1 - 9999	4 wheels, front	2136645
			3 wheels, front; 3 wheels, rear; 4 wheels, rear	2136675
W 50 DC	0905	1 - 50	3 wheels, rear; 4 wheels, rear	57151
		1 - 99	4 wheels, front	2136645
			3 wheels, front	2136675
		51 - 9999	3 wheels, rear; 4 wheels, rear	2136675
		100 - 9999	4 wheels, front	2136645
			3 wheels, front	2136675
W 50 DCi	1205	1 - 9999	4 wheels, front	2136645
			3 wheels, front; 3 wheels, rear; 4 wheels, rear	2136675
W 50 R	1405	1 - 9999	3 wheels, front; 4 wheels, front	2286953
			3 wheels, rear; 4 wheels, rear	2136675
W 50 Ri	1505	1 - 9999	3 wheels, rear; 4 wheels, rear	2136675
			3 wheels, front; 4 wheels, front	2286953
W 50 H	1305	88 - 9999	rear	2453785
			front	2453888
W 55 H	1305	88 - 9999	rear	2453785
			front	2453888
W 60 R	1405	1 - 9999	3 wheels, rear; 4 wheels, rear	2136675
			3 wheels, front; 4 wheels, front	2286953
W 60 Ri	1505	1 - 9999	3 wheels, rear; 4 wheels, rear	2136675



TYRES				
Series code	Serial code	Series range	Position	Part no.
W 60 Ri	1505	1 - 9999	3 wheels, front; 4 wheels, front	2286953
W 60	0910	1 - 9999	3 wheels, front	2136699
			3 wheels, rear; 4 wheels, rear	2136696
			4 wheels, front	2136688
W 60i	1210	1 - 9999	3 wheels, front	2136699
			3 wheels, rear; 4 wheels, rear	2136696
			4 wheels, front	2136688
W 100	0910	1 - 9999	4 wheels, front	2136688
			3 wheels, front	2136699
			3 wheels, rear; 4 wheels, rear	2136696
W 100i	1210	1 - 9999	4 wheels, front	2136688
			3 wheels, front	2136699
			3 wheels, rear; 4 wheels, rear	2136696
W 100	1010	88 - 9999	front	2149237
			rear	2149239
W 100 H	1910	88 - 9999	rear	2149239
			front	2149237
W 100	1110	1 - 9999	3 wheels, rear; 4 wheels, rear	2136696
			4 wheels, front	2136688
			3 wheels, front	2136699
W 100 R	1510	1 - 9999	4 wheels, front	2136688
			3 wheels, front	2136699
			3 wheels, rear; 4 wheels, rear	2136696
W 100 Ri	1610	1 - 9999	3 wheels, front	2136699
			4 wheels, front	2136688
			3 wheels, rear; 4 wheels, rear	2136696

# UNDERCARRIAGE WHEEL DRIVE

TYRES				
Series code	Serial code	Series range	Position	Part no.
W 100 H	1410	88 - 9999	front	2149237
			rear	2149239
W 120 R	1510	1 - 9999	4 wheels, front	2136688
			3 wheels, front	2136699
			3 wheels, rear; 4 wheels, rear	2136696
W 120 Ri	1610	1 - 9999	3 wheels, front	2136699
			3 wheels, rear; 4 wheels, rear	2136696
			4 wheels, front	2136688
W 130 H	1410, 1910	88 - 9999	rear	2149239
			front	2149237
W 1000 F	0710	1 - 9999	front; rear	123417
W 100 F	0810	1 - 9999	front; rear	123417
W 100 Fi	1310	1 - 9999	front; rear	123417
W 100 CF	1710	1 - 9999	front; rear	123417
W 100 CFi	1810	1 - 9999	front; rear	123417
W 1200 F	0710	1 - 9999	front; rear	123417
W 120 F	0810	1 - 9999	front; rear	123417
W 120 Fi	1310	1 - 9999	front; rear	123417
W 120 CF	1710	1 - 9999	front; rear	123417
W 120 CFi	1810	1 - 9999	front; rear	123417
W 1300 F	0710	1 - 9999	front; rear	123417
W 130 F	0810	1 - 9999	front; rear	123417
W 130 Fi	1310	1 - 9999	front; rear	123417
W 130 CF	1710	1 - 9999	front; rear	123417
W 130 CFi	1810	1 - 9999	front; rear	123417



## PNEUMATIC TYRES

High-quality pneumatic tyres from WIRTGEN ensure that our hot recyclers have the optimum grip, even in the most extreme conditions.



PNEUMATIC TYRES		
Series code	Serial code	Part no.
4500 HM	02HM	15374
HM 4500	06HM	15374

## WHEELS

Wheels made of cut-resistant elastomer rubber provide traction and guarantee smooth operation.



WHEELS						
Series code	Serial code	Series range	Part	Position	S-Pack	Part no.
W 35 DC	0403	1 - 9999	Complete wheel	front		2138565
				rear		181793
W 35 Ri	0703	1 - 9999	Complete wheel	front		2138565
				rear		181793
W 500	0605	1 - 9999	Complete wheel	4 wheels, front		62602
				3 wheels, front; 3 wheels, rear; 4 wheels, rear		53348
W 50	0805	1 - 67	Complete wheel	3 wheels, rear; 4 wheels, rear		172139
		1 - 9999	Complete wheel	4 wheels, front		2136641
				3 wheels, front		2136673

# UNDERCARRIAGE WHEEL DRIVE

WHEELS						
Series code	Serial code	Series range	Part	Position	S-Pack	Part no.
W 50	0805	68 - 9999	Complete wheel	3 wheels, rear; 4 wheels, rear		2136678
	1005	1 - 9999	Complete wheel	4 wheels, front		2136641
				3 wheels, rear; 4 wheels, rear		2136678
				3 wheels, front		2136673
W 50 DC	0905	1 - 50	Complete wheel	3 wheels, rear; 4 wheels, rear		173684
		1 - 99	Complete wheel	4 wheels, front		2136641
				3 wheels, front		2136673
		51 - 9999	Complete wheel	3 wheels, rear; 4 wheels, rear		2136678
		100 - 9999	Complete wheel	4 wheels, front		2136670
				3 wheels, front		2136683
W 50 DCi	1205	1 - 9999	Complete wheel	4 wheels, front		2136670
				3 wheels, front		2136683
				3 wheels, rear; 4 wheels, rear		2136678
W 50 R	1405	1 - 9999	Complete wheel	3 wheels, rear; 4 wheels, rear		2286962
				3 wheels, front		2347467
				4 wheels, front		2286975
W 50 Ri	1505	1 - 9999	Complete wheel	3 wheels, rear; 4 wheels, rear		2286962
				3 wheels, front		2347467
				4 wheels, front		2286975
W 50 H	1305	88 - 9999	Complete wheel	front		2453827
				rear		2453783
W 55 H	1305	88 - 9999	Complete wheel	front		2453827
				rear		2453783
W 60 R	1405	1 - 9999	Complete wheel	3 wheels, rear; 4 wheels, rear		2286962
				3 wheels, front		2347467
				4 wheels, front		2286975





WHEELS						
Series code	Serial code	Series range	Part	Position	S-Pack	Part no.
W 60 Ri	1505	1 - 9999	Complete wheel	3 wheels, rear; 4 wheels, rear		2286962
				3 wheels, front		2347467
				4 wheels, front		2286975
W 60	0910	1 - 9999	Complete wheel	4 wheels, front		2136687
				3 wheels, front		2136698
				3 wheels, rear; 4 wheels, rear		2136695
W 60i	1210	1 - 9999	Complete wheel	4 wheels, front		2136687
				3 wheels, front		2136698
				3 wheels, rear; 4 wheels, rear		2136695
W 100	0910	1 - 9999	Complete wheel	4 wheels, front		2136687
				3 wheels, front		2136698
				3 wheels, rear; 4 wheels, rear		2136695
W 100i	1210	1 - 9999	Complete wheel	4 wheels, front		2136687
				3 wheels, front		2136698
				3 wheels, rear; 4 wheels, rear		2136695
W 100	1010	88 - 9999	Complete wheel	rear		2149234
				front		2149233
W 100 H	1910	88 - 9999	Complete wheel	rear		2149234
				front		2149233
W 100	1110	1 - 9999	Complete wheel	4 wheels, front		2136687
				3 wheels, front		2136698
				3 wheels, rear; 4 wheels, rear		2136695
W 100 R	1510	1 - 9999	Complete wheel	4 wheels, front		2136687
				3 wheels, front		2136698
				3 wheels, rear; 4 wheels, rear		2136695
W 100 Ri	1610	1 - 9999	Complete wheel	4 wheels, front		2136687

# UNDERCARRIAGE WHEEL DRIVE

WHEELS						
Series code	Serial code	Series range	Part	Position	S-Pack	Part no.
W 100 Ri	1610	1 - 9999	Complete wheel	3 wheels, front		2136698
				3 wheels, rear; 4 wheels, rear		2136695
W 100 H	1410	88 - 9999	Complete wheel	rear		2149234
				front		2149233
W 120 R	1510	1 - 9999	Complete wheel	4 wheels, front		2136687
				3 wheels, front		2136698
				3 wheels, rear; 4 wheels, rear		2136695
W 120 Ri	1610	1 - 9999	Complete wheel	4 wheels, front		2136687
				3 wheels, front		2136698
				3 wheels, rear; 4 wheels, rear		2136695
W 130 H	1410, 1910	88 - 9999	Complete wheel	rear		2149234
				front		2149233
W 1000 F	0710	1 - 9999	Complete wheel	front; rear		125782
W 100 F	0810	1 - 9999	Complete wheel	front; rear		125782
W 100 Fi	1310	1 - 9999	Complete wheel	front; rear		125782
W 100 CF	1710	1 - 9999	Complete wheel	front; rear		125782
W 100 CFi	1810	1 - 9999	Complete wheel	front; rear		125782
W 1200 F	0710	1 - 9999	Complete wheel	front; rear		125782
W 120 F	0810	1 - 9999	Complete wheel	front; rear		125782
W 120 Fi	1310	1 - 9999	Complete wheel	front; rear		125782
W 120 CF	1710	1 - 9999	Complete wheel	front; rear		125782
W 120 CFi	1810	1 - 9999	Complete wheel	front; rear		125782
W 1300 F	0710	1 - 9999	Complete wheel	front; rear		125782
W 130 F	0810	1 - 9999	Complete wheel	front; rear		125782
W 130 Fi	1310	1 - 9999	Complete wheel	front; rear		125782
W 130 CF	1710	1 - 9999	Complete wheel	front; rear		125782



WHEELS						
Series code	Serial code	Series range	Part	Position	S-Pack	Part no.
W 130 CFi	1810	1 - 9999	Complete wheel	front; rear		125782
WR 2000	03WR	1 - 9999	Complete wheel	right		2292199
				left		2292198
WR 200	06WR	1 - 9999	Complete wheel	left		2292198
				right		2292199
WR 200i	09WR	1 - 9999	Complete wheel	right		2292199
				left		2292198
WR 2400	05WR	1 - 9999	Complete wheel	left		2472152
				right		2472153
WR 240	07WR	1 - 9999	Complete wheel	right	with	2486382
				left	with	2486381
				left	without	2472152
				right	without	2472153
WR 240i	10WR	1 - 9999	Complete wheel	right	with	2486382
				right	without	2472153
				left	without	2472152
				left	with	2486381
WR 2500 S	04WR	1 - 9999	Complete wheel	right		2472153
				left		2472152
WR 250	08WR	1 - 9999	Complete wheel	right	with	2486382
				left	without	2472152
				right	without	2472153
				left	with	2486381
WR 250i	11WR	1 - 9999	Complete wheel	right	with	2486382
				right	without	2472153
				left	without	2472152

Original WIRTGEN

## UNDERCARRIAGE WHEEL DRIVE

WHEELS						
Series code	Serial code	Series range	Part	Position	S-Pack	Part no.
WR 250i	11WR	1 - 9999	Complete wheel	left	with	2486381
RX 4500	05RX	1 - 9999	Complete wheel	front; rear		32627
4500 HM	02HM	1 - 9999	Complete wheel	front; rear		15680
HM 4500	06HM	1 - 9999	Complete wheel	front; rear		15680

### TUBES

We also offer our high-quality tubes for our genuine WIRTGEN pneumatic tyres, which are perfectly tailored to the specifications, separately.

TUBES			
Series code	Serial code	Part	Part no.
4500 HM	02HM	Tube for pneumatic tyre	15375
HM 4500	06HM	Tube for pneumatic tyre	15375

### SOLID TYRE

The solid tyres for WIRTGEN's WR series make it easy to handle even the most difficult ground conditions.



SOLID TYRE			
Series code	Serial code	S-Pack	Part no.
WR 2000	03WR		2292195
WR 200	06WR		2292195
WR 200i	09WR		2292195
WR 240	07WR	with	2486380
WR 240i	10WR	with	2486380



SOLID TYRE			
Series code	Serial code	S-Pack	Part no.
WR 250	08WR	with	2486380
WR 250i	11WR	with	2486380
RX 4500	05RX		32023

Original WIRTGEN  
**CONVEYOR UNIT**



The milling performance of WIRTGEN road milling machines is largely determined by the conveying capacity of the conveyor unit systems. An optimised cross-section with built-in longitudinal seals and particularly high conveying cleats all serve to maximise these machines' conveying capacity. Thanks to their durable splice, conveyor belts produced via the hot vulcanisation process

also stand out for their long service life. The perfect interaction of all WIRTGEN premium components ensures that our conveyor unit systems are highly reliable and deliver maximum performance. In addition to the conveyor belts themselves, the guide, belt, drive and return rollers specially developed to reliably transport milled material therefore also play an important role.



> Read more online

**DRIVE ROLLERS**

WIRTGEN drive rollers' thick-walled special rubber compound guarantees reliable power transmission for a long service life. The diamond design also helps to prevent asphalt adhesion.



DRIVE ROLLERS			
Series code	Serial code	Conveyor type	Part no.
W 35 DC	0403	Discharge conveyor	182505
W 35 Ri	0703	Discharge conveyor	182505
W 35 XRi	0703	Discharge conveyor	182505



DRIVE ROLLERS			
Series code	Serial code	Conveyor type	Part no.
W 500	0605	Discharge conveyor	43231
W 50	0805, 1005	Discharge conveyor	43231
W 50 DC	0905	Discharge conveyor	43231
W 50 DCi	1205	Discharge conveyor	43231
W 50 R	1405	Discharge conveyor	2279067
W 50 Ri	1505	Discharge conveyor	2279067
W 50 H	1305	Discharge conveyor	43231
W 55 H	1305	Discharge conveyor	43231
W 55 HR	1805	Discharge conveyor	43231
W 60 R	1405	Discharge conveyor	2279067
W 60 Ri	1505	Discharge conveyor	2279067
W 60	0910	Discharge conveyor	72052
W 60i	1210	Discharge conveyor	72052
W 100	0910	Discharge conveyor	72052
W 100i	1210	Discharge conveyor	72052
W 100	1010	Discharge conveyor	72052
W 100 L	1010	Discharge conveyor	72052
W 100 H	1910	Discharge conveyor	43231
W 100	1110	Discharge conveyor	72052
W 100 R	1510	Discharge conveyor	72052
W 100 Ri	1610	Discharge conveyor	72052
W 100 H	1410	Discharge conveyor	43231
W 100 HR	2110	Discharge conveyor	43231
W 100 Fi	2710	Loading conveyor; Discharge conveyor	2887360
W 120 R	1510	Discharge conveyor	72052
W 120 Ri	1610	Discharge conveyor	72052
W 130 H	1410, 1910	Discharge conveyor	43231

**CONVEYOR UNIT**

DRIVE ROLLERS			
Series code	Serial code	Conveyor type	Part no.
W 130 HR	2210	Discharge conveyor	43231
W 1000 F	0710	Discharge conveyor; Loading conveyor	90117
W 100 F	0810	Discharge conveyor	90117
		Loading conveyor	190358
W 100 Fi	1310	Discharge conveyor	90117
		Loading conveyor	190358
W 100 CF	1710	Discharge conveyor	90117
		Loading conveyor	190358
W 100 CFi	1810	Discharge conveyor	90117
		Loading conveyor	190358
W 100 XFi	1810	Discharge conveyor	90117
		Loading conveyor	190358
W 1200 F	0710	Discharge conveyor; Loading conveyor	90117
W 120 F	0810	Discharge conveyor	90117
		Loading conveyor	190358
W 120 Fi	1310	Discharge conveyor	90117
		Loading conveyor	190358
W 120 CF	1710	Discharge conveyor	90117
		Loading conveyor	190358
W 120 CFi	1810	Discharge conveyor	90117
		Loading conveyor	190358
W 120 XTi	1810	Discharge conveyor	90117
		Loading conveyor	190358
W 120 XFi	1810	Discharge conveyor	90117
		Loading conveyor	190358
W 120 Fi	2710	Loading conveyor; Discharge conveyor	2887360
W 120 FTi	2710	Loading conveyor; Discharge conveyor	2887360





DRIVE ROLLERS			
Series code	Serial code	Conveyor type	Part no.
W 1300 F	0710	Discharge conveyor; Loading conveyor	90117
W 130 F	0810	Discharge conveyor	90117
		Loading conveyor	190358
W 130 Fi	1310	Discharge conveyor	90117
		Loading conveyor	190358
W 130 CF	1710	Discharge conveyor	90117
		Loading conveyor	190358
W 130 CFi	1810	Discharge conveyor	90117
		Loading conveyor	190358
W 130 XFi	1810	Discharge conveyor	90117
		Loading conveyor	190358
W 130 Fi	2710	Loading conveyor; Discharge conveyor	2887360
W 1500	0820	Discharge conveyor	95865
		Loading conveyor	52667
W 150	0513	Discharge conveyor	90117
		Loading conveyor	190358
W 150i	0613	Discharge conveyor	90117
		Loading conveyor	190358
W 150 CF	0713	Discharge conveyor	90117
		Loading conveyor	190358
W 150 CFi	0813	Discharge conveyor	90117
		Loading conveyor	190358
W 150 XFi	0813	Discharge conveyor	90117
		Loading conveyor	190358
W 1900	0820, 0920, 1020	Discharge conveyor	95865
		Loading conveyor	52667
W 195	1820	Loading conveyor; Discharge conveyor	2107985

**CONVEYOR UNIT**

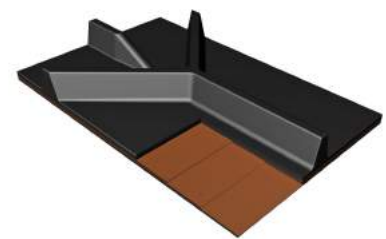
DRIVE ROLLERS			
Series code	Serial code	Conveyor type	Part no.
W 2000	0620, 1120	Loading conveyor; Discharge conveyor	95865
W 200	1220	Loading conveyor; Discharge conveyor	2107985
W 200i	1420	Loading conveyor; Discharge conveyor	2107985
W 200 F	2020	Loading conveyor; Discharge conveyor	2107985
W 200 Fi	2120	Loading conveyor; Discharge conveyor	2107985
W 200 H	1620	Discharge conveyor	2107985
		Loading conveyor; Discharge conveyor	95865
W 200 Hi	1720	Discharge conveyor	2107985
		Loading conveyor; Discharge conveyor	95865
W 205	2520	Loading conveyor; Discharge conveyor	2107985
W 207 Fi	2120	Loading conveyor; Discharge conveyor	2107985
W 2100	0921	Loading conveyor; Discharge conveyor	138926
W 210	1320	Loading conveyor; Discharge conveyor	2107985
W 210i	1520	Loading conveyor; Discharge conveyor	2107985
W 210 Fi	2320	Loading conveyor; Discharge conveyor	2107985
W 210 XP	2420	Loading conveyor; Discharge conveyor	2107985
W 215	1920	Loading conveyor; Discharge conveyor	2107985
W 2200	0821	Discharge conveyor; Loading conveyor	127761
W 220	0522	Loading conveyor	127761
		Discharge conveyor	138926
W 220i	0722	Discharge conveyor	138926
		Loading conveyor	127761
W 220 Fi	1122	Discharge conveyor	138926
		Loading conveyor	127761
W 250	0422	Discharge conveyor; Loading conveyor	127761
W 250i	0622	Discharge conveyor; Loading conveyor	127761
W 250 Fi	1322	Discharge conveyor; Loading conveyor	127761



DRIVE ROLLERS			
Series code	Serial code	Conveyor type	Part no.
2200 CR	0821	Discharge conveyor; Loading conveyor	127761
W 240 CR	03CR	Discharge conveyor; Loading conveyor	127761
W 240 CRi	04CR	Discharge conveyor; Loading conveyor	127761
W 380 CR	03CR	Discharge conveyor; Loading conveyor	127761
W 380 CRi	04CR	Discharge conveyor; Loading conveyor	127761
KMA 200	04MS	Dosing conveyor	138926
		Discharge conveyor	95865
KMA 220i	06MS	Discharge conveyor	95865
		Dosing conveyor	138926
KMA 220	05MS	Discharge conveyor	95865
		Dosing conveyor	138926
2200 SM	0821	Discharge conveyor; Loading conveyor	127761

## CONVEYOR BELTS

Conveyor belts from WIRTGEN are known for their long service life, extremely smooth running, exceptional tear and tensile strength and conveying capacities of up to 1000 tonnes per hour.



CONVEYOR BELTS						
Series code	Serial code	Version	Conveyor type	Conveyor length	Width	Part no.
W 35 DC	0403	hot-vulcanised	Discharge conveyor	short	250 mm	182130
		hot-vulcanised	Discharge conveyor	long	250 mm	193070
W 35 Ri	0703	hot-vulcanised	Discharge conveyor	short	250 mm	182130
		hot-vulcanised	Discharge conveyor	long	250 mm	193070
W 35 XRi	0703	hot-vulcanised	Discharge conveyor	long	250 mm	193070
		hot-vulcanised	Discharge conveyor	short	250 mm	182130

**CONVEYOR UNIT**

CONVEYOR BELTS						
Series code	Serial code	Version	Conveyor type	Conveyor length	Width	Part no.
W 500	0605	hot-vulcanised	Discharge conveyor	short	400 mm	71478
		hot-vulcanised	Discharge conveyor		400 mm	50002
W 50	0805, 1005	hot-vulcanised	Discharge conveyor	short	400 mm	71478
		hot-vulcanised	Discharge conveyor		400 mm	50002
W 50 DC	0905	hot-vulcanised	Discharge conveyor	short	400 mm	71478
		hot-vulcanised	Discharge conveyor		400 mm	50002
W 50 DCi	1205	hot-vulcanised	Discharge conveyor	short	400 mm	71478
		hot-vulcanised	Discharge conveyor		400 mm	50002
W 50 R	1405	hot-vulcanised	Discharge conveyor		350 mm	2279330
		hot-vulcanised	Discharge conveyor	short	350 mm	2323424
W 50 Ri	1505	hot-vulcanised	Discharge conveyor	short	350 mm	2323424
		hot-vulcanised	Discharge conveyor		350 mm	2279330
W 50 H	1305	hot-vulcanised	Discharge conveyor		400 mm	2185067
W 55 H	1305	hot-vulcanised	Discharge conveyor		400 mm	2185067
W 55 HR	1805	hot-vulcanised	Discharge conveyor	short	400 mm	2971708
		hot-vulcanised	Discharge conveyor		400 mm	2185067
W 60 R	1405	hot-vulcanised	Discharge conveyor	short	350 mm	2323424
		hot-vulcanised	Discharge conveyor		350 mm	2279330
W 60 Ri	1505	hot-vulcanised	Discharge conveyor	short	350 mm	2323424
		hot-vulcanised	Discharge conveyor		350 mm	2279330
W 60	0910	hot-vulcanised	Discharge conveyor		500 mm	71776
W 60i	1210	hot-vulcanised	Discharge conveyor		500 mm	71776
W 100	0910	hot-vulcanised	Discharge conveyor		500 mm	71776
W 100i	1210	hot-vulcanised	Discharge conveyor		500 mm	71776
W 100	1010	hot-vulcanised	Discharge conveyor		500 mm	71776
W 100 L	1010	hot-vulcanised	Discharge conveyor		500 mm	71776
W 100 H	1910	hot-vulcanised	Discharge conveyor		400 mm	50002



CONVEYOR BELTS						
Series code	Serial code	Version	Conveyor type	Conveyor length	Width	Part no.
W 100 H	1910	hot-vulcanised	Discharge conveyor	long	400 mm	2327881
W 100	1110	hot-vulcanised	Discharge conveyor		500 mm	71776
W 100 R	1510	hot-vulcanised	Discharge conveyor	short	500 mm	2080936
		hot-vulcanised	Discharge conveyor		500 mm	71776
W 100 Ri	1610	hot-vulcanised	Discharge conveyor	short	500 mm	2080936
		hot-vulcanised	Discharge conveyor		500 mm	71776
W 100 H	1410	hot-vulcanised	Discharge conveyor		400 mm	50002
		hot-vulcanised	Discharge conveyor	long	400 mm	2327881
W 100 HR	2110	hot-vulcanised	Discharge conveyor		400 mm	50002
		hot-vulcanised	Discharge conveyor	long	400 mm	2327881
W 100 Fi	2710	hot-vulcanised	Discharge conveyor	short	600 mm	2899106
		hot-vulcanised	Discharge conveyor		600 mm	2431902
		hot-vulcanised	Loading conveyor		650 mm	2490307
W 120 R	1510	hot-vulcanised	Discharge conveyor		500 mm	71776
		hot-vulcanised	Discharge conveyor	short	500 mm	2080936
W 120 Ri	1610	hot-vulcanised	Discharge conveyor		500 mm	71776
		hot-vulcanised	Discharge conveyor	short	500 mm	2080936
W 130 H	1410	hot-vulcanised	Discharge conveyor		400 mm	50002
		hot-vulcanised	Discharge conveyor	long	400 mm	2327881
	1910	hot-vulcanised	Discharge conveyor	long	400 mm	2327881
		hot-vulcanised	Discharge conveyor		400 mm	50002
W 130 HR	2210	hot-vulcanised	Discharge conveyor	long	400 mm	2327881
		hot-vulcanised	Discharge conveyor		400 mm	50002
W 1000 F	0710	hot-vulcanised	Discharge conveyor		600 mm	51873
		hot-vulcanised	Loading conveyor		600 mm	125134
W 100 F	0810	hot-vulcanised	Loading conveyor		650 mm	191410
		hot-vulcanised	Discharge conveyor		600 mm	51873

**CONVEYOR UNIT**

CONVEYOR BELTS						
Series code	Serial code	Version	Conveyor type	Conveyor length	Width	Part no.
W 100 F	0810	hot-vulcanised	Discharge conveyor	short	600 mm	2068042
W 100 Fi	1310	hot-vulcanised	Discharge conveyor	short	600 mm	2068042
		hot-vulcanised	Discharge conveyor		600 mm	51873
		hot-vulcanised	Loading conveyor		650 mm	2173916
W 100 CFi	1810	hot-vulcanised	Discharge conveyor	short	600 mm	2068042
		hot-vulcanised	Discharge conveyor		600 mm	51873
		hot-vulcanised	Loading conveyor		650 mm	2490307
W 100 XFi	1810	hot-vulcanised	Discharge conveyor	short	600 mm	2068042
		hot-vulcanised	Discharge conveyor		600 mm	51873
		hot-vulcanised	Loading conveyor		650 mm	2490307
W 1200 F	0710	hot-vulcanised	Discharge conveyor		600 mm	51873
		hot-vulcanised	Loading conveyor		600 mm	125134
W 120 F	0810	hot-vulcanised	Loading conveyor		650 mm	191410
		hot-vulcanised	Discharge conveyor		600 mm	51873
		hot-vulcanised	Discharge conveyor	short	600 mm	2068042
W 120 Fi	1310	hot-vulcanised	Discharge conveyor	short	600 mm	2068042
		hot-vulcanised	Discharge conveyor		600 mm	51873
		hot-vulcanised	Loading conveyor		650 mm	2173916
W 120 CFi	1810	hot-vulcanised	Discharge conveyor	short	600 mm	2068042
		hot-vulcanised	Discharge conveyor		600 mm	51873
		hot-vulcanised	Loading conveyor		650 mm	2490307
W 120 XTi	1810	hot-vulcanised	Discharge conveyor	short	600 mm	2068042
		hot-vulcanised	Discharge conveyor		600 mm	51873
		hot-vulcanised	Loading conveyor		650 mm	2490307
W 120 XFi	1810	hot-vulcanised	Discharge conveyor	short	600 mm	2068042
		hot-vulcanised	Discharge conveyor		600 mm	51873
		hot-vulcanised	Loading conveyor		650 mm	2490307



CONVEYOR BELTS						
Series code	Serial code	Version	Conveyor type	Conveyor length	Width	Part no.
W 120 Fi	2710	hot-vulcanised	Discharge conveyor	short	600 mm	2899106
		hot-vulcanised	Discharge conveyor		600 mm	2431902
		hot-vulcanised	Loading conveyor		650 mm	2490307
W 120 FTi	2710	hot-vulcanised	Discharge conveyor	short	600 mm	2899106
		hot-vulcanised	Discharge conveyor		600 mm	2431902
		hot-vulcanised	Loading conveyor		650 mm	2490307
W 1300 F	0710	hot-vulcanised	Discharge conveyor		600 mm	51873
		hot-vulcanised	Loading conveyor		600 mm	125134
W 130 F	0810	hot-vulcanised	Loading conveyor		650 mm	191410
		hot-vulcanised	Discharge conveyor		600 mm	51873
		hot-vulcanised	Discharge conveyor	short	600 mm	2068042
W 130 Fi	1310	hot-vulcanised	Discharge conveyor	short	600 mm	2068042
		hot-vulcanised	Discharge conveyor		600 mm	51873
		hot-vulcanised	Loading conveyor		650 mm	2173916
W 130 CFi	1810	hot-vulcanised	Discharge conveyor	short	600 mm	2068042
		hot-vulcanised	Discharge conveyor		600 mm	51873
		hot-vulcanised	Loading conveyor		650 mm	2490307
W 130 XFi	1810	hot-vulcanised	Discharge conveyor	short	600 mm	2068042
		hot-vulcanised	Discharge conveyor		600 mm	51873
		hot-vulcanised	Loading conveyor		650 mm	2490307
W 130 Fi	2710	hot-vulcanised	Discharge conveyor	short	600 mm	2899106
		hot-vulcanised	Discharge conveyor		600 mm	2431902
		hot-vulcanised	Loading conveyor		650 mm	2490307
W 1500	0820	hot-vulcanised	Discharge conveyor		800 mm	57482
		hot-vulcanised	Loading conveyor		800 mm	52890
W 150	0513	hot-vulcanised	Discharge conveyor	short	600 mm	2068042
		hot-vulcanised	Discharge conveyor		600 mm	51873

# CONVEYOR UNIT

CONVEYOR BELTS						
Series code	Serial code	Version	Conveyor type	Conveyor length	Width	Part no.
W 150	0513	hot-vulcanised	Loading conveyor		650 mm	2075932
W 150i	0613	hot-vulcanised	Discharge conveyor	short	600 mm	2068042
		hot-vulcanised	Discharge conveyor		600 mm	51873
		hot-vulcanised	Loading conveyor		650 mm	2075932
W 150 CF	0713	hot-vulcanised	Discharge conveyor	short	600 mm	2068042
		hot-vulcanised	Discharge conveyor		600 mm	51873
		hot-vulcanised	Loading conveyor		650 mm	2431790
W 150 CFi	0813	hot-vulcanised	Discharge conveyor	short	600 mm	2068042
		hot-vulcanised	Discharge conveyor		600 mm	51873
		hot-vulcanised	Loading conveyor		650 mm	2431790
W 150 XFi	0813	hot-vulcanised	Discharge conveyor	short	600 mm	2068042
		hot-vulcanised	Discharge conveyor		600 mm	51873
		hot-vulcanised	Loading conveyor		650 mm	2431790
W 1900	0820, 0920, 1020	hot-vulcanised	Discharge conveyor		800 mm	57482
		hot-vulcanised	Loading conveyor		800 mm	52890
W 195	1820	hot-vulcanised	Loading conveyor		850 mm	2106093
		hot-vulcanised	Discharge conveyor		850 mm	2106086
W 2000	0620, 1120	hot-vulcanised	Discharge conveyor		800 mm	57482
		hot-vulcanised	Loading conveyor		800 mm	112781
W 200	1220	hot-vulcanised	Loading conveyor		850 mm	2106093
		hot-vulcanised	Discharge conveyor		850 mm	2106086
W 200i	1420	hot-vulcanised	Loading conveyor		850 mm	2106093
		hot-vulcanised	Discharge conveyor		850 mm	2106086
W 200 F	2020	hot-vulcanised	Loading conveyor		850 mm	2106093
		hot-vulcanised	Discharge conveyor		850 mm	2106086
W 200 Fi	2120	hot-vulcanised	Loading conveyor		850 mm	2106093
		hot-vulcanised	Discharge conveyor		850 mm	2106086





CONVEYOR BELTS						
Series code	Serial code	Version	Conveyor type	Conveyor length	Width	Part no.
W 200 H	1620	hot-vulcanised	Discharge conveyor		800 mm	2219593
		hot-vulcanised	Discharge conveyor		850 mm	2106086
		hot-vulcanised	Loading conveyor		800 mm	2212374
W 200 Hi	1720	hot-vulcanised	Loading conveyor		800 mm	2212374
		hot-vulcanised	Discharge conveyor		850 mm	2106086
		hot-vulcanised	Discharge conveyor		800 mm	2219593
W 205	2520	hot-vulcanised	Discharge conveyor		850 mm	2106086
		hot-vulcanised	Loading conveyor		850 mm	2106093
W 207 Fi	2120	hot-vulcanised	Discharge conveyor		850 mm	2106086
		hot-vulcanised	Loading conveyor		850 mm	2106093
W 2100	0921	hot-vulcanised	Loading conveyor		1000 mm	53870
		hot-vulcanised	Discharge conveyor		1000 mm	138316
W 210	1320	hot-vulcanised	Loading conveyor		850 mm	2106093
		hot-vulcanised	Discharge conveyor		850 mm	2106086
W 210i	1520	hot-vulcanised	Discharge conveyor		850 mm	2106086
		hot-vulcanised	Loading conveyor		850 mm	2106093
W 210 Fi	2320	hot-vulcanised	Discharge conveyor		850 mm	2106086
		hot-vulcanised	Loading conveyor		850 mm	2106093
W 210 XP	2420	hot-vulcanised	Loading conveyor		850 mm	2106093
		hot-vulcanised	Discharge conveyor		850 mm	2106086
W 215	1920	hot-vulcanised	Discharge conveyor		850 mm	2106086
		hot-vulcanised	Loading conveyor		850 mm	2106093
W 2200	0821	hot-vulcanised	Discharge conveyor		1100 mm	116578
		hot-vulcanised	Loading conveyor		1100 mm	116577
W 220	0522	hot-vulcanised	Loading conveyor		1100 mm	2161723
		hot-vulcanised	Discharge conveyor		1000 mm	2178711
W 220i	0722	hot-vulcanised	Discharge conveyor		1000 mm	2178711

**CONVEYOR UNIT**

CONVEYOR BELTS						
Series code	Serial code	Version	Conveyor type	Conveyor length	Width	Part no.
W 220i	0722	hot-vulcanised	Loading conveyor		1100 mm	2161723
W 220 Fi	1122	hot-vulcanised	Loading conveyor		1100 mm	2161723
		hot-vulcanised	Discharge conveyor		1000 mm	2178711
W 250	0422	hot-vulcanised	Loading conveyor		1100 mm	116577
		hot-vulcanised	Discharge conveyor		1100 mm	2147320
W 250i	0622	hot-vulcanised	Discharge conveyor		1100 mm	2147320
		hot-vulcanised	Loading conveyor		1100 mm	116577
W 250 Fi	1322	hot-vulcanised	Discharge conveyor		1100 mm	2147320
		hot-vulcanised	Loading conveyor		1100 mm	116577
2200 CR	0821	hot-vulcanised	Discharge conveyor		1100 mm	116578
		hot-vulcanised	Loading conveyor		1100 mm	116577
W 240 CR	03CR	hot-vulcanised	Loading conveyor		1100 mm	116577
		hot-vulcanised	Discharge conveyor		1100 mm	116578
W 240 CRi	04CR	hot-vulcanised	Loading conveyor		1100 mm	116577
		hot-vulcanised	Discharge conveyor		1100 mm	116578
W 380 CR	03CR	hot-vulcanised	Loading conveyor		1100 mm	116577
		hot-vulcanised	Discharge conveyor		1100 mm	116578
W 380 CRi	04CR	hot-vulcanised	Discharge conveyor		1100 mm	116578
		hot-vulcanised	Loading conveyor		1100 mm	116577
KMA 200	04MS	hot-vulcanised	Dosing conveyor		1000 mm	150748
		hot-vulcanised	Discharge conveyor		800 mm	8383
2200 SM	0821	hot-vulcanised	Loading conveyor		1100 mm	116577
		hot-vulcanised	Discharge conveyor		1100 mm	116578



## GUIDE ROLLERS

The side-mounted guide rollers prevent the conveyor belt from slipping sideways and, in conjunction with the other components, ensure the conveyor delivers optimum conveying capacity.



GUIDE ROLLERS									
Series code	Serial code	Conveyor type	Requirement: discharge conveyor, folding conveyor	Requirement: discharge conveyor, folding conveyor, short	Requirement: discharge conveyor, short	Requirement: discharge conveyor, long	Requirement: discharge conveyor, standard	Requirement: loading conveyor	Part no.
W 500	0605	Discharge conveyor					2 pc.		54954
W 50	0805, 1005	Discharge conveyor			2 pc.		2 pc.		54954
W 50 DC	0905	Discharge conveyor			2 pc.		2 pc.		54954
W 50 DCi	1205	Discharge conveyor			2 pc.		2 pc.		54954
W 50 R	1405	Discharge conveyor			2 pc.		2 pc.		54954
W 50 Ri	1505	Discharge conveyor			2 pc.		2 pc.		54954
W 50 H	1305	Discharge conveyor			2 pc.		2 pc.		54954
W 55 H	1305	Discharge conveyor			2 pc.		2 pc.		54954
W 55 HR	1805	Discharge conveyor			2 pc.	2 pc.			54954
W 60 R	1405	Discharge conveyor	2 pc.			2 pc.			54954
W 60 Ri	1505	Discharge conveyor	2 pc.			2 pc.			54954
W 60	0910	Discharge conveyor					4 pc.		54954
W 60i	1210	Discharge conveyor					4 pc.		54954
W 100	0910	Discharge conveyor					4 pc.		54954
W 100i	1210	Discharge conveyor					4 pc.		54954
W 100	1010	Discharge conveyor					4 pc.		54954
W 100 L	1010	Discharge conveyor					4 pc.		54954
W 100 H	1910	Discharge conveyor	4 pc.				2 pc.		54954

# CONVEYOR UNIT

GUIDE ROLLERS									
Series code	Serial code	Conveyor type	Requirement: discharge conveyor, folding conveyor	Requirement: discharge conveyor, folding conveyor, short	Requirement: discharge conveyor, short	Requirement: discharge conveyor, long	Requirement: discharge conveyor, standard	Requirement: loading conveyor	Part no.
W 100	1110	Discharge conveyor					4 pc.		54954
W 100 R	1510	Discharge conveyor			2 pc.	2 pc.	2 pc.		54954
W 100 Ri	1610	Discharge conveyor			2 pc.	2 pc.	2 pc.		54954
W 100 H	1410	Discharge conveyor	4 pc.				2 pc.		54954
W 100 HR	2110	Discharge conveyor	4 pc.				2 pc.		54954
W 100 Fi	2710	Discharge conveyor; Loading conveyor	2 pc.	2 pc.			2 pc.	2 pc.	54954
W 120 R	1510	Discharge conveyor			2 pc.	2 pc.	2 pc.		54954
W 120 Ri	1610	Discharge conveyor			2 pc.	2 pc.	2 pc.		54954
W 130 H	1410, 1910	Discharge conveyor	4 pc.				2 pc.		54954
W 130 HR	2210	Discharge conveyor	4 pc.				2 pc.		54954
W 1000 F	0710	Discharge conveyor; Loading conveyor					4 pc.	2 pc.	54954
W 100 F	0810	Discharge conveyor; Loading conveyor	4 pc.	4 pc.			4 pc.	2 pc.	54954
W 100 Fi	1310	Discharge conveyor; Loading conveyor	4 pc.	4 pc.			4 pc.	2 pc.	54954
W 100 CF	1710	Discharge conveyor; Loading conveyor	2 pc.	2 pc.			2 pc.	2 pc.	54954
W 100 CFi	1810	Discharge conveyor; Loading conveyor	2 pc.	2 pc.			2 pc.	2 pc.	54954
W 100 XFi	1810	Discharge conveyor; Loading conveyor	2 pc.	2 pc.			2 pc.	2 pc.	54954



GUIDE ROLLERS									
Series code	Serial code	Conveyor type	Requirement: discharge conveyor, folding conveyor	Requirement: discharge conveyor, folding conveyor, short	Requirement: discharge conveyor, short	Requirement: discharge conveyor, long	Requirement: discharge conveyor, standard	Requirement: loading conveyor	Part no.
W 1200 F	0710	Discharge conveyor; Loading conveyor					4 pc.	2 pc.	54954
W 120 F	0810	Discharge conveyor; Loading conveyor	4 pc.	4 pc.			4 pc.	2 pc.	54954
W 120 Fi	1310	Discharge conveyor; Loading conveyor	4 pc.	4 pc.			4 pc.	2 pc.	54954
W 120 CF	1710	Discharge conveyor; Loading conveyor	2 pc.	2 pc.			2 pc.	2 pc.	54954
W 120 CFi	1810	Discharge conveyor; Loading conveyor	2 pc.	2 pc.			2 pc.	2 pc.	54954
W 120 XTi	1810	Discharge conveyor; Loading conveyor	2 pc.	2 pc.			2 pc.	2 pc.	54954
W 120 XFi	1810	Discharge conveyor; Loading conveyor	2 pc.	2 pc.			2 pc.	2 pc.	54954
W 120 Fi	2710	Discharge conveyor; Loading conveyor	2 pc.	2 pc.			2 pc.	2 pc.	54954
W 120 FTi	2710	Discharge conveyor; Loading conveyor	2 pc.	2 pc.			2 pc.	2 pc.	54954
W 1300 F	0710	Discharge conveyor; Loading conveyor					4 pc.	2 pc.	54954
W 130 F	0810	Discharge conveyor; Loading conveyor	4 pc.	4 pc.			4 pc.	2 pc.	54954
W 130 Fi	1310	Discharge conveyor; Loading conveyor	4 pc.	4 pc.			4 pc.	2 pc.	54954



**CONVEYOR UNIT**

GUIDE ROLLERS									
Series code	Serial code	Conveyor type	Requirement: discharge conveyor, folding conveyor	Requirement: discharge conveyor, folding conveyor, short	Requirement: discharge conveyor, short	Requirement: discharge conveyor, long	Requirement: discharge conveyor, standard	Requirement: loading conveyor	Part no.
W 130 CF	1710	Discharge conveyor; Loading conveyor	2 pc.	2 pc.			2 pc.	2 pc.	54954
W 130 CFi	1810	Discharge conveyor; Loading conveyor	2 pc.	2 pc.			2 pc.	2 pc.	54954
W 130 XFi	1810	Discharge conveyor; Loading conveyor	2 pc.	2 pc.			2 pc.	2 pc.	54954
W 130 Fi	2710	Discharge conveyor; Loading conveyor	2 pc.	2 pc.			2 pc.	2 pc.	54954
W 1500	0820	Discharge conveyor; Loading conveyor	4 pc.				4 pc.	2 pc.	54954
W 150	0513	Discharge conveyor; Loading conveyor	4 pc.	4 pc.			4 pc.	2 pc.	54954
W 150i	0613	Discharge conveyor; Loading conveyor	4 pc.	4 pc.			4 pc.	2 pc.	54954
W 150 CF	0713	Discharge conveyor; Loading conveyor	2 pc.	2 pc.			2 pc.	2 pc.	54954
W 150 CFi	0813	Discharge conveyor; Loading conveyor	2 pc.	2 pc.			2 pc.	2 pc.	54954
W 150 XFi	0813	Discharge conveyor; Loading conveyor	2 pc.	2 pc.			2 pc.	2 pc.	54954
W 1900	0820, 0920, 1020	Discharge conveyor; Loading conveyor	4 pc.				4 pc.	2 pc.	54954
W 195	1820	Discharge conveyor; Loading conveyor	4 pc.				4 pc.	2 pc.	54954



GUIDE ROLLERS									
Series code	Serial code	Conveyor type	Requirement: discharge conveyor, folding conveyor	Requirement: discharge conveyor, folding conveyor, short	Requirement: discharge conveyor, short	Requirement: discharge conveyor, long	Requirement: discharge conveyor, standard	Requirement: loading conveyor	Part no.
W 2000	0620, 1120	Discharge conveyor; Loading conveyor	4 pc.				4 pc.	4 pc.	54954
W 200	1220	Discharge conveyor; Loading conveyor	4 pc.				4 pc.	2 pc.	54954
W 200i	1420	Discharge conveyor; Loading conveyor	4 pc.				4 pc.	2 pc.	54954
W 200 F	2020	Discharge conveyor; Loading conveyor	4 pc.				4 pc.	2 pc.	54954
W 200 Fi	2120	Discharge conveyor; Loading conveyor	4 pc.				4 pc.	2 pc.	54954
W 200 H	1620	Discharge conveyor; Loading conveyor	4 pc.				4 pc.	2 pc.	54954
W 200 Hi	1720	Discharge conveyor; Loading conveyor	4 pc.				4 pc.	2 pc.	54954
W 205	2520	Discharge conveyor; Loading conveyor	4 pc.				4 pc.	2 pc.	54954
W 207 Fi	2120	Discharge conveyor; Loading conveyor	4 pc.				4 pc.	2 pc.	54954
W 2100	0921	Discharge conveyor; Loading conveyor	4 pc.				4 pc.	4 pc.	54954
W 210	1320	Discharge conveyor; Loading conveyor	4 pc.				4 pc.	2 pc.	54954
W 210i	1520	Discharge conveyor; Loading conveyor	4 pc.				4 pc.	2 pc.	54954

# CONVEYOR UNIT

GUIDE ROLLERS									
Series code	Serial code	Conveyor type	Requirement: discharge conveyor, folding conveyor	Requirement: discharge conveyor, folding conveyor, short	Requirement: discharge conveyor, short	Requirement: discharge conveyor, long	Requirement: discharge conveyor, standard	Requirement: loading conveyor	Part no.
W 210 Fi	2320	Discharge conveyor; Loading conveyor	4 pc.				4 pc.	2 pc.	54954
W 210 XP	2420	Discharge conveyor; Loading conveyor	4 pc.				4 pc.	2 pc.	54954
W 215	1920	Discharge conveyor; Loading conveyor	4 pc.				4 pc.	2 pc.	54954
W 2200	0821	Discharge conveyor	4 pc.				4 pc.		54954
W 220	0522	Discharge conveyor; Loading conveyor	4 pc.				4 pc.	2 pc.	54954
W 220i	0722	Discharge conveyor; Loading conveyor	4 pc.				4 pc.	2 pc.	54954
W 220 Fi	1122	Discharge conveyor; Loading conveyor	4 pc.				4 pc.	2 pc.	54954
W 250	0422	Discharge conveyor; Loading conveyor	4 pc.				4 pc.	2 pc.	54954
W 250i	0622	Discharge conveyor; Loading conveyor	4 pc.				4 pc.	2 pc.	54954
W 250 Fi	1322	Discharge conveyor; Loading conveyor	4 pc.				4 pc.	2 pc.	54954
2200 CR	0821	Discharge conveyor	4 pc.				4 pc.		54954
W 240 CR	03CR	Discharge conveyor; Loading conveyor	4 pc.					2 pc.	54954
W 240 CRi	04CR	Discharge conveyor; Loading conveyor	4 pc.					2 pc.	54954





GUIDE ROLLERS									
Series code	Serial code	Conveyor type	Requirement: discharge conveyor, folding conveyor	Requirement: discharge conveyor, folding conveyor, short	Requirement: discharge conveyor, short	Requirement: discharge conveyor, long	Requirement: discharge conveyor, standard	Requirement: loading conveyor	Part no.
W 380 CR	03CR	Discharge conveyor; Loading conveyor	4 pc.					2 pc.	54954
W 380 CRi	04CR	Discharge conveyor; Loading conveyor	4 pc.					2 pc.	54954
KMA 200	04MS	Discharge conveyor; Loading conveyor	2 pc.					4 pc.	54954
2200 SM	0821	Discharge conveyor	4 pc.				4 pc.		54954

## IDLER ROLLERS

Genuine WIRTGEN idler rollers are located inside the conveyor unit where they support the weight of the milled material.



IDLER ROLLERS										
Series code	Serial code	Conveyor type	Requirement: discharge conveyor, folding conveyor	Requirement: discharge conveyor, folding conveyor, short	Requirement: discharge conveyor, short	Requirement: discharge conveyor, long	Requirement: discharge conveyor, standard	Requirement: loading conveyor	Width	Part no.
W 50	0805, 1005	Discharge conveyor					9 pc.			171832
W 50 DC	0905	Discharge conveyor					9 pc.			171832

# CONVEYOR UNIT

IDLER ROLLERS										
Series code	Serial code	Conveyor type	Requirement: discharge conveyor, folding conveyor	Requirement: discharge conveyor, folding conveyor, short	Requirement: discharge conveyor, short	Requirement: discharge conveyor, long	Requirement: discharge conveyor, standard	Requirement: loading conveyor	Width	Part no.
W 50 DCi	1205	Discharge conveyor					9 pc.			171832
W 50 R	1405	Discharge conveyor			4 pc.		9 pc.			2279085
W 50 Ri	1505	Discharge conveyor			4 pc.		9 pc.			2279085
W 50 H	1305	Discharge conveyor					8 pc.			171832
W 55 H	1305	Discharge conveyor					8 pc.			171832
W 55 HR	1805	Discharge conveyor			4 pc.	8 pc.			400 mm	171832
W 60 R	1405	Discharge conveyor	9 pc.		4 pc.	9 pc.			350 mm	2279085
W 60 Ri	1505	Discharge conveyor	9 pc.		4 pc.	9 pc.			350 mm	2279085
W 60	0910	Discharge conveyor					4 pc.			72068
		Discharge conveyor					7 pc.			71777
W 60i	1210	Discharge conveyor					4 pc.			72068



IDLER ROLLERS										
Series code	Serial code	Conveyor type	Requirement: discharge conveyor, folding conveyor	Requirement: discharge conveyor, folding conveyor, short	Requirement: discharge conveyor, short	Requirement: discharge conveyor, long	Requirement: discharge conveyor, standard	Requirement: loading conveyor	Width	Part no.
W 60i	1210	Discharge conveyor					7 pc.			71777
W 100	0910	Discharge conveyor					4 pc.			72068
		Discharge conveyor					7 pc.			71777
W 100i	1210	Discharge conveyor					4 pc.			72068
		Discharge conveyor					7 pc.			71777
W 100	1010	Discharge conveyor					4 pc.			72068
		Discharge conveyor					7 pc.			71777
W 100 L	1010	Discharge conveyor					4 pc.			72068
		Discharge conveyor					7 pc.			71777
W 100 H	1910	Discharge conveyor	11 pc.				8 pc.			171832
W 100	1110	Discharge conveyor					4 pc.			72068



# CONVEYOR UNIT

IDLER ROLLERS										
Series code	Serial code	Conveyor type	Requirement: discharge conveyor, folding conveyor	Requirement: discharge conveyor, folding conveyor, short	Requirement: discharge conveyor, short	Requirement: discharge conveyor, long	Requirement: discharge conveyor, standard	Requirement: loading conveyor	Width	Part no.
W 100	1110	Discharge conveyor					7 pc.			71777
W 100 R	1510	Discharge conveyor			4 pc.	4 pc.	4 pc.			72068
		Discharge conveyor			6 pc.	7 pc.	7 pc.			71777
W 100 Ri	1610	Discharge conveyor			4 pc.	4 pc.	4 pc.			72068
		Discharge conveyor			6 pc.	7 pc.	7 pc.			71777
W 100 H	1410	Discharge conveyor	11 pc.				8 pc.			171832
W 100 HR	2110	Discharge conveyor	11 pc.				8 pc.			171832
W 100 Fi	2710	Loading conveyor						6 pc.	650 mm	190448
		Discharge conveyor	7 pc.	6 pc.			7 pc.		600 mm	90122
		Discharge conveyor	4 pc.	4 pc.			4 pc.		600 mm	2790789
W 120 R	1510	Discharge conveyor			4 pc.	4 pc.	4 pc.			72068
		Discharge conveyor			6 pc.	7 pc.	7 pc.			71777



IDLER ROLLERS										
Series code	Serial code	Conveyor type	Requirement: discharge conveyor, folding conveyor	Requirement: discharge conveyor, folding conveyor, short	Requirement: discharge conveyor, short	Requirement: discharge conveyor, long	Requirement: discharge conveyor, standard	Requirement: loading conveyor	Width	Part no.
W 120 Ri	1610	Discharge conveyor			4 pc.	4 pc.	4 pc.			72068
		Discharge conveyor			6 pc.	7 pc.	7 pc.			71777
W 130 H	1410, 1910	Discharge conveyor	11 pc.				8 pc.			171832
W 130 HR	2210	Discharge conveyor	11 pc.				8 pc.			171832
W 1000 F	0710	Discharge conveyor					7 pc.			90122
		Discharge conveyor; Loading conveyor					4 pc.	6 pc.		90120
W 100 F	0810	Loading conveyor						6 pc.	650 mm	190448
		Discharge conveyor	7 pc.	6 pc.			7 pc.		600 mm	90122
		Discharge conveyor	4 pc.	4 pc.			4 pc.		600 mm	90120
W 100 Fi	1310	Loading conveyor						6 pc.	650 mm	190448
		Discharge conveyor	7 pc.	6 pc.			7 pc.		600 mm	90122
		Discharge conveyor	4 pc.	4 pc.			4 pc.		600 mm	90120

# CONVEYOR UNIT

IDLER ROLLERS										
Series code	Serial code	Conveyor type	Requirement: discharge conveyor, folding conveyor	Requirement: discharge conveyor, folding conveyor, short	Requirement: discharge conveyor, short	Requirement: discharge conveyor, long	Requirement: discharge conveyor, standard	Requirement: loading conveyor	Width	Part no.
W 100 CF	1710	Loading conveyor						6 pc.	650 mm	190448
		Discharge conveyor	7 pc.	6 pc.			7 pc.		600 mm	90122
		Discharge conveyor	4 pc.	4 pc.			4 pc.		600 mm	90120
W 100 CFi	1810	Loading conveyor						6 pc.	650 mm	190448
		Discharge conveyor	7 pc.	6 pc.			7 pc.		600 mm	90122
		Discharge conveyor	4 pc.	4 pc.			4 pc.		600 mm	90120
W 100 XFi	1810	Loading conveyor						6 pc.	650 mm	190448
		Discharge conveyor	7 pc.	6 pc.			7 pc.		600 mm	90122
		Discharge conveyor	4 pc.	4 pc.			4 pc.		600 mm	90120
W 1200 F	0710	Discharge conveyor					7 pc.			90122
		Discharge conveyor; Loading conveyor					4 pc.	6 pc.		90120
W 120 F	0810	Loading conveyor						6 pc.	650 mm	190448
		Discharge conveyor	7 pc.	6 pc.			7 pc.		600 mm	90122



IDLER ROLLERS										
Series code	Serial code	Conveyor type	Requirement: discharge conveyor, folding conveyor	Requirement: discharge conveyor, folding conveyor, short	Requirement: discharge conveyor, short	Requirement: discharge conveyor, long	Requirement: discharge conveyor, standard	Requirement: loading conveyor	Width	Part no.
W 120 F	0810	Discharge conveyor	4 pc.	4 pc.			4 pc.		600 mm	90120
W 120 Fi	1310	Loading conveyor						6 pc.	650 mm	190448
		Discharge conveyor	7 pc.	6 pc.			7 pc.		600 mm	90122
		Discharge conveyor	4 pc.	4 pc.			4 pc.		600 mm	90120
W 120 CF	1710	Loading conveyor						6 pc.	650 mm	190448
		Discharge conveyor	7 pc.	6 pc.			7 pc.		600 mm	90122
		Discharge conveyor	4 pc.	4 pc.			4 pc.		600 mm	90120
W 120 CFi	1810	Loading conveyor						6 pc.	650 mm	190448
		Discharge conveyor	7 pc.	6 pc.			7 pc.		600 mm	90122
		Discharge conveyor	4 pc.	4 pc.			4 pc.		600 mm	90120
W 120 XTi	1810	Loading conveyor						6 pc.	650 mm	190448
		Discharge conveyor	7 pc.	6 pc.			7 pc.		600 mm	90122
		Discharge conveyor	4 pc.	4 pc.			4 pc.		600 mm	90120
W 120 XFi	1810	Loading conveyor					6 pc.	650 mm	190448	



# CONVEYOR UNIT

IDLER ROLLERS										
Series code	Serial code	Conveyor type	Requirement: discharge conveyor, folding conveyor	Requirement: discharge conveyor, folding conveyor, short	Requirement: discharge conveyor, short	Requirement: discharge conveyor, long	Requirement: discharge conveyor, standard	Requirement: loading conveyor	Width	Part no.
W 120 XFi	1810	Discharge conveyor	7 pc.	6 pc.			7 pc.		600 mm	90122
		Discharge conveyor	4 pc.	4 pc.			4 pc.		600 mm	90120
W 120 Fi	2710	Loading conveyor						6 pc.	650 mm	190448
		Discharge conveyor	7 pc.	6 pc.			7 pc.		600 mm	90122
		Discharge conveyor	4 pc.	4 pc.			4 pc.		600 mm	2790789
W 120 FTi	2710	Loading conveyor						6 pc.	650 mm	190448
		Loading conveyor	7 pc.	6 pc.			7 pc.		600 mm	90122
		Discharge conveyor	4 pc.	4 pc.			4 pc.		600 mm	2790789
W 1300 F	0710	Discharge conveyor					7 pc.			90122
		Discharge conveyor; Loading conveyor					4 pc.	6 pc.		90120
W 130 F	0810	Loading conveyor						6 pc.	650 mm	190448
		Discharge conveyor	7 pc.	6 pc.			7 pc.		600 mm	90122
		Discharge conveyor	4 pc.	4 pc.			4 pc.		600 mm	90120





IDLER ROLLERS										
Series code	Serial code	Conveyor type	Requirement: discharge conveyor, folding conveyor	Requirement: discharge conveyor, folding conveyor, short	Requirement: discharge conveyor, short	Requirement: discharge conveyor, long	Requirement: discharge conveyor, standard	Requirement: loading conveyor	Width	Part no.
W 130 Fi	1310	Loading conveyor						6 pc.	650 mm	190448
		Discharge conveyor	7 pc.	6 pc.			7 pc.		600 mm	90122
		Discharge conveyor	4 pc.	4 pc.			4 pc.		600 mm	90120
W 130 CF	1710	Loading conveyor						6 pc.	650 mm	190448
		Discharge conveyor	7 pc.	6 pc.			7 pc.		600 mm	90122
		Discharge conveyor	4 pc.	4 pc.			4 pc.		600 mm	90120
W 130 CFi	1810	Loading conveyor						6 pc.	650 mm	190448
		Discharge conveyor	7 pc.	6 pc.			7 pc.		600 mm	90122
		Discharge conveyor	4 pc.	4 pc.			4 pc.		600 mm	90120
W 130 XFi	1810	Loading conveyor						6 pc.	650 mm	190448
		Discharge conveyor	7 pc.	6 pc.			7 pc.		600 mm	90122
		Discharge conveyor	4 pc.	4 pc.			4 pc.		600 mm	90120
W 130 Fi	2710	Loading conveyor						6 pc.	650 mm	190448
		Discharge conveyor	7 pc.	6 pc.			7 pc.		600 mm	90122

## CONVEYOR UNIT

IDLER ROLLERS										
Series code	Serial code	Conveyor type	Requirement: discharge conveyor, folding conveyor	Requirement: discharge conveyor, folding conveyor, short	Requirement: discharge conveyor, short	Requirement: discharge conveyor, long	Requirement: discharge conveyor, standard	Requirement: loading conveyor	Width	Part no.
W 130 Fi	2710	Discharge conveyor	4 pc.	4 pc.			4 pc.		600 mm	2790789
W 1500	0820	Loading conveyor						4 pc.		65967
		Discharge conveyor	11 pc.				10 pc.			111363
W 150	0513	Loading conveyor						4 pc.	650 mm	190448
		Discharge conveyor	7 pc.	6 pc.			7 pc.		600 mm	90122
		Discharge conveyor	4 pc.	4 pc.			4 pc.		600 mm	90120
W 150i	0613	Loading conveyor						4 pc.	650 mm	190448
		Discharge conveyor	7 pc.	6 pc.			7 pc.		600 mm	90122
		Discharge conveyor	4 pc.	4 pc.			4 pc.		600 mm	90120
W 150 CF	0713	Loading conveyor						4 pc.	650 mm	190448
		Discharge conveyor	7 pc.	6 pc.			7 pc.		600 mm	90122
		Discharge conveyor	4 pc.	4 pc.			4 pc.		600 mm	90120
W 150 CFi	0813	Loading conveyor						8 pc.	650 mm	190448
		Discharge conveyor	7 pc.	6 pc.			7 pc.		600 mm	90122



IDLER ROLLERS										
Series code	Serial code	Conveyor type	Requirement: discharge conveyor, folding conveyor	Requirement: discharge conveyor, folding conveyor, short	Requirement: discharge conveyor, short	Requirement: discharge conveyor, long	Requirement: discharge conveyor, standard	Requirement: loading conveyor	Width	Part no.
W 150 CFi	0813	Discharge conveyor	4 pc.	4 pc.			4 pc.		600 mm	90120
W 150 XFi	0813	Loading conveyor						8 pc.	650 mm	190448
		Discharge conveyor	7 pc.	6 pc.			7 pc.		600 mm	90122
		Discharge conveyor	4 pc.	4 pc.			4 pc.		600 mm	90120
W 1900	0820, 0920, 1020	Loading conveyor						4 pc.		65967
		Discharge conveyor	11 pc.				10 pc.			111363
W 195	1820	Discharge conveyor; Loading conveyor	10 pc.				10 pc.	5 pc.		2091189
W 2000	0620, 1120	Discharge conveyor; Loading conveyor			11 pc.		10 pc.	5 pc.		111363
W 200	1220	Discharge conveyor; Loading conveyor	10 pc.				10 pc.	5 pc.		2091189
W 200i	1420	Discharge conveyor; Loading conveyor	10 pc.				10 pc.	5 pc.		2091189

# CONVEYOR UNIT

IDLER ROLLERS										
Series code	Serial code	Conveyor type	Requirement: discharge conveyor, folding conveyor	Requirement: discharge conveyor, folding conveyor, short	Requirement: discharge conveyor, short	Requirement: discharge conveyor, long	Requirement: discharge conveyor, standard	Requirement: loading conveyor	Width	Part no.
W 200 F	2020	Discharge conveyor; Loading conveyor	10 pc.				10 pc.	5 pc.		2091189
W 200 Fi	2120	Discharge conveyor; Loading conveyor	10 pc.				10 pc.	5 pc.		2091189
W 200 H	1620	Discharge conveyor	10 pc.						850 mm	2091189
		Discharge conveyor; Loading conveyor	7 pc.					5 pc.	800 mm	111363
W 200 Hi	1720	Discharge conveyor; Loading conveyor	7 pc.					5 pc.	800 mm	111363
		Discharge conveyor	10 pc.						850 mm	2091189
W 205	2520	Discharge conveyor; Loading conveyor	10 pc.				10 pc.	5 pc.		2091189
W 207 Fi	2120	Discharge conveyor; Loading conveyor	10 pc.				10 pc.	5 pc.		2091189



IDLER ROLLERS										
Series code	Serial code	Conveyor type	Requirement: discharge conveyor, folding conveyor	Requirement: discharge conveyor, folding conveyor, short	Requirement: discharge conveyor, short	Requirement: discharge conveyor, long	Requirement: discharge conveyor, standard	Requirement: loading conveyor	Width	Part no.
W 2100	0921	Discharge conveyor; Loading conveyor	11 pc.				10 pc.	5 pc.		138312
W 210	1320	Discharge conveyor; Loading conveyor	10 pc.				10 pc.	5 pc.		2091189
W 210i	1520	Discharge conveyor; Loading conveyor	10 pc.				10 pc.	5 pc.		2091189
W 210 Fi	2320	Discharge conveyor; Loading conveyor	10 pc.				10 pc.	5 pc.		2091189
W 210 XP	2420	Discharge conveyor; Loading conveyor	10 pc.				10 pc.	5 pc.		2091189
W 215	1920	Discharge conveyor; Loading conveyor	10 pc.				10 pc.	5 pc.		2091189
W 2200	0821	Discharge conveyor; Loading conveyor	11 pc.				10 pc.	6 pc.		116524
W 220	0522	Discharge conveyor	9 pc.				10 pc.		1000 mm	138312



# CONVEYOR UNIT

IDLER ROLLERS										
Series code	Serial code	Conveyor type	Requirement: discharge conveyor, folding conveyor	Requirement: discharge conveyor, folding conveyor, short	Requirement: discharge conveyor, short	Requirement: discharge conveyor, long	Requirement: discharge conveyor, standard	Requirement: loading conveyor	Width	Part no.
W 220	0522	Loading conveyor						6 pc.	1100 mm	116524
W 220i	0722	Loading conveyor						6 pc.	1100 mm	116524
		Discharge conveyor	9 pc.				10 pc.		1000 mm	138312
W 220 Fi	1122	Discharge conveyor	9 pc.				10 pc.		1000 mm	138312
		Loading conveyor					6 pc.	1100 mm	116524	
W 250	0422	Discharge conveyor; Loading conveyor	10 pc.				10 pc.	6 pc.		116524
W 250i	0622	Discharge conveyor; Loading conveyor	10 pc.				10 pc.	6 pc.		116524
W 250 Fi	1322	Discharge conveyor; Loading conveyor	10 pc.				10 pc.	6 pc.		116524
2200 CR	0821	Discharge conveyor; Loading conveyor	11 pc.				10 pc.	6 pc.		116524
W 240 CR	03CR	Discharge conveyor; Loading conveyor	10 pc.					6 pc.		116524



IDLER ROLLERS										
Series code	Serial code	Conveyor type	Requirement: discharge conveyor, folding conveyor	Requirement: discharge conveyor, folding conveyor, short	Requirement: discharge conveyor, short	Requirement: discharge conveyor, long	Requirement: discharge conveyor, standard	Requirement: loading conveyor	Width	Part no.
W 240 CRi	04CR	Discharge conveyor; Loading conveyor	10 pc.					6 pc.		116524
W 380 CR	03CR	Discharge conveyor; Loading conveyor	10 pc.					6 pc.		116524
W 380 CRi	04CR	Discharge conveyor; Loading conveyor	10 pc.					6 pc.		116524
KMA 220	05MS	Discharge conveyor	7 pc.							65967
2200 SM	0821	Discharge conveyor; Loading conveyor	11 pc.				10 pc.	6 pc.		116524



# Original WIRTGEN CONVEYOR UNIT

## RETURN ROLLERS

The return rollers made of a high-quality steel alloy keep the conveyor running smoothly and ensure it has a long service life. In addition, the curved outer contour ensures that the belt remains precisely centred.



RETURN ROLLERS			
Series code	Serial code	Conveyor type	Part no.
W 35 DC	0403	Discharge conveyor	182519
W 35 Ri	0703	Discharge conveyor	182519
W 35 XRi	0703	Discharge conveyor	182519
W 500	0605	Discharge conveyor	7654
W 50	0805, 1005	Discharge conveyor	7654
W 50 DC	0905	Discharge conveyor	7654
W 50 DCi	1205	Discharge conveyor	7654
W 50 R	1405	Discharge conveyor	2279219
W 50 Ri	1505	Discharge conveyor	2279219
W 50 H	1305	Discharge conveyor	7654
W 55 H	1305	Discharge conveyor	7654
W 55 HR	1805	Discharge conveyor	7654
W 60 R	1405	Discharge conveyor	2279219
W 60 Ri	1505	Discharge conveyor	2279219
W 60	0910	Discharge conveyor	72060
W 60i	1210	Discharge conveyor	72060
W 100	0910	Discharge conveyor	72060
W 100i	1210	Discharge conveyor	72060
W 100	1010	Discharge conveyor	72060
W 100 L	1010	Discharge conveyor	72060
W 100 H	1910	Discharge conveyor	7654





RETURN ROLLERS			
Series code	Serial code	Conveyor type	Part no.
W 100	1110	Discharge conveyor	72060
W 100 R	1510	Discharge conveyor	72060
W 100 Ri	1610	Discharge conveyor	72060
W 100 H	1410	Discharge conveyor	7654
W 100 HR	2110	Discharge conveyor	7654
W 100 Fi	2710	Loading conveyor; Discharge conveyor	2853051
W 120 R	1510	Discharge conveyor	72060
W 120 Ri	1610	Discharge conveyor	72060
W 130 H	1410, 1910	Discharge conveyor	7654
W 130 HR	2210	Discharge conveyor	7654
W 1000 F	0710	Loading conveyor; Discharge conveyor	90059
W 100 F	0810	Loading conveyor	190357
		Discharge conveyor	90059
W 100 Fi	1310	Discharge conveyor	90059
		Loading conveyor	190357
W 100 CF	1710	Discharge conveyor	90059
		Loading conveyor	190357
W 100 CFi	1810	Discharge conveyor	90059
		Loading conveyor	190357
W 100 XFi	1810	Loading conveyor	190357
		Discharge conveyor	90059
W 1200 F	0710	Loading conveyor; Discharge conveyor	90059
W 120 F	0810	Loading conveyor	190357
		Discharge conveyor	90059
W 120 Fi	1310	Discharge conveyor	90059
		Loading conveyor	190357
W 120 CF	1710	Discharge conveyor	90059

**CONVEYOR UNIT**

RETURN ROLLERS			
Series code	Serial code	Conveyor type	Part no.
W 120 CF	1710	Loading conveyor	190357
W 120 CFi	1810	Loading conveyor	190357
		Discharge conveyor	90059
W 120 XTi	1810	Loading conveyor	190357
		Discharge conveyor	90059
W 120 XFi	1810	Discharge conveyor	90059
		Loading conveyor	190357
W 120 Fi	2710	Loading conveyor; Discharge conveyor	2853051
W 120 FTi	2710	Loading conveyor; Discharge conveyor	2853051
W 1300 F	0710	Loading conveyor; Discharge conveyor	90059
W 130 F	0810	Loading conveyor	190357
		Discharge conveyor	90059
W 130 Fi	1310	Loading conveyor	190357
		Discharge conveyor	90059
W 130 CF	1710	Discharge conveyor	90059
		Loading conveyor	190357
W 130 CFi	1810	Loading conveyor	190357
		Discharge conveyor	90059
W 130 XFi	1810	Discharge conveyor	90059
		Loading conveyor	190357
W 130 Fi	2710	Loading conveyor; Discharge conveyor	2853051
W 1500	0820	Discharge conveyor	110871
		Loading conveyor	52666
W 150	0513	Loading conveyor	190357
		Discharge conveyor	90059
W 150i	0613	Discharge conveyor	90059
		Loading conveyor	190357



RETURN ROLLERS			
Series code	Serial code	Conveyor type	Part no.
W 150 CF	0713	Loading conveyor	2431175
		Discharge conveyor	90059
W 150 CFi	0813	Loading conveyor	2431175
		Discharge conveyor	90059
W 150 XFi	0813	Loading conveyor	2431175
		Discharge conveyor	90059
W 1900	0820	Discharge conveyor	110871
		Loading conveyor	52666
	0920	Loading conveyor	52666
		Discharge conveyor	110871
	1020	Discharge conveyor	110871
		Loading conveyor	52666
W 195	1820	Discharge conveyor; Loading conveyor	2105093
W 2000	0620, 1120	Discharge conveyor; Loading conveyor	110871
W 200	1220	Discharge conveyor; Loading conveyor	2105093
W 200i	1420	Discharge conveyor; Loading conveyor	2105093
W 200 F	2020	Discharge conveyor; Loading conveyor	2607590
W 200 Fi	2120	Discharge conveyor; Loading conveyor	2607590
W 200 H	1620	Discharge conveyor	2105093
		Discharge conveyor; Loading conveyor	2203028
W 200 Hi	1720	Discharge conveyor	2105093
		Loading conveyor; Discharge conveyor	2203028
W 205	2520	Discharge conveyor; Loading conveyor	2105093
W 207 Fi	2120	Discharge conveyor; Loading conveyor	2607590
W 2100	0921	Discharge conveyor; Loading conveyor	128671
W 210	1320	Discharge conveyor; Loading conveyor	2105093
W 210i	1520	Discharge conveyor; Loading conveyor	2105093

**CONVEYOR UNIT**

RETURN ROLLERS			
Series code	Serial code	Conveyor type	Part no.
W 210 Fi	2320	Discharge conveyor; Loading conveyor	2607590
W 210 XP	2420	Discharge conveyor; Loading conveyor	2105093
W 215	1920	Discharge conveyor; Loading conveyor	2105093
W 2200	0821	Loading conveyor; Discharge conveyor	111225
W 220	0522	Loading conveyor	2141645
		Discharge conveyor	2178746
W 220i	0722	Loading conveyor	2141645
		Discharge conveyor	2178746
W 220 Fi	1122	Loading conveyor	2141645
		Discharge conveyor	2178746
W 250	0422	Loading conveyor; Discharge conveyor	2141645
W 250i	0622	Loading conveyor; Discharge conveyor	2141645
W 250 Fi	1322	Loading conveyor; Discharge conveyor	2141645
2200 CR	0821	Loading conveyor; Discharge conveyor	111225
W 240 CR	03CR	Loading conveyor; Discharge conveyor	2141645
W 240 CRi	04CR	Loading conveyor; Discharge conveyor	2141645
W 380 CR	03CR	Loading conveyor; Discharge conveyor	2141645
W 380 CRi	04CR	Loading conveyor; Discharge conveyor	2141645
KMA 200	04MS	Discharge conveyor	110871
		Dosing conveyor	154282
KMA 220i	06MS	Dosing conveyor	154282
		Discharge conveyor	110871
KMA 220	05MS	Discharge conveyor	110871
		Dosing conveyor	154282
2200 SM	0821	Loading conveyor; Discharge conveyor	111225



## RETURN ROLLERS

Highly wear-resistant return rollers made of a special polyurethane compound with low abrasion reliably support the belt during its return.



RETURN ROLLERS										
Series code	Serial code	Con-veyor type	Require-ment: dis-charge conveyor, folding conveyor	Require-ment: dis-charge conveyor, folding conveyor, short	Require-ment: dis-charge conveyor, short	Require-ment: dis-charge conveyor, long	Require-ment: dis-charge conveyor, stand-ard	Require-ment: loading conveyor	Width	Part no.
W 35 DC	0403	Dis-charge conveyor			4 pc.		6 pc.			182129
W 35 Ri	0703	Dis-charge conveyor			4 pc.		6 pc.			182129
W 35 XRi	0703	Dis-charge conveyor			4 pc.		6 pc.			182129
W 500	0605	Dis-charge conveyor					10 pc.			8363
		Dis-charge conveyor			3 pc.		3 pc.			71844
W 50	0805, 1005	Dis-charge conveyor			3 pc.		3 pc.			71844
W 50 DC	0905	Dis-charge conveyor			3 pc.		3 pc.			71844
W 50 DCi	1205	Dis-charge conveyor			3 pc.		3 pc.			71844

# CONVEYOR UNIT

RETURN ROLLERS										
Series code	Serial code	Conveyor type	Requirement: discharge conveyor, folding conveyor	Requirement: discharge conveyor, folding conveyor, short	Requirement: discharge conveyor, short	Requirement: discharge conveyor, long	Requirement: discharge conveyor, standard	Requirement: loading conveyor	Width	Part no.
W 50 R	1405	Discharge conveyor			1 pc.		3 pc.			2279214
W 50 Ri	1505	Discharge conveyor			1 pc.		3 pc.			2279214
W 50 H	1305	Discharge conveyor			3 pc.		3 pc.			71844
W 55 H	1305	Discharge conveyor			3 pc.		3 pc.			71844
W 55 HR	1805	Discharge conveyor			1 pc.	3 pc.			400 mm	71844
W 60 R	1405	Discharge conveyor			1 pc.	2 pc.			350 mm	2279214
W 60 Ri	1505	Discharge conveyor			1 pc.	2 pc.			350 mm	2279214
W 60	0910	Discharge conveyor					6 pc.			72067
W 60i	1210	Discharge conveyor					6 pc.			72067
W 100	0910	Discharge conveyor					6 pc.			72067
W 100i	1210	Discharge conveyor					6 pc.			72067



## RETURN ROLLERS

Series code	Serial code	Conveyor type	Requirement: discharge conveyor, folding conveyor	Requirement: discharge conveyor, folding conveyor, short	Requirement: discharge conveyor, short	Requirement: discharge conveyor, long	Requirement: discharge conveyor, standard	Requirement: loading conveyor	Width	Part no.
W 100	1010	Discharge conveyor					6 pc.			72067
W 100 L	1010	Discharge conveyor					6 pc.			72067
W 100 H	1910	Discharge conveyor	4 pc.				3 pc.			71844
W 100	1110	Discharge conveyor					6 pc.			72067
W 100 R	1510	Discharge conveyor			5 pc.	5 pc.	6 pc.			2373013
W 100 Ri	1610	Discharge conveyor			5 pc.	5 pc.	6 pc.			2373013
W 100 H	1410	Discharge conveyor	4 pc.				3 pc.			71844
W 100 HR	2110	Discharge conveyor	4 pc.				3 pc.			71844
W 100 Fi	2710	Discharge conveyor	5 pc.	4 pc.			6 pc.		600 mm	2341068
		Loading conveyor					3 pc.	650 mm	2341067	
W 120 R	1510	Discharge conveyor			5 pc.	5 pc.	6 pc.			2373013
W 120 Ri	1610	Discharge conveyor			5 pc.	5 pc.	6 pc.			2373013



# CONVEYOR UNIT

RETURN ROLLERS										
Series code	Serial code	Conveyor type	Requirement: discharge conveyor, folding conveyor	Requirement: discharge conveyor, folding conveyor, short	Requirement: discharge conveyor, short	Requirement: discharge conveyor, long	Requirement: discharge conveyor, standard	Requirement: loading conveyor	Width	Part no.
W 130 H	1410, 1910	Discharge conveyor	4 pc.				3 pc.			71844
W 130 HR	2210	Discharge conveyor	4 pc.				3 pc.			71844
W 1000 F	0710	Discharge conveyor; Loading conveyor					6 pc.	3 pc.		90121
W 100 F	0810	Discharge conveyor	5 pc.	4 pc.			6 pc.		600 mm	90121
		Loading conveyor					3 pc.	650 mm	191392	
W 100 Fi	1310	Discharge conveyor	5 pc.	4 pc.			6 pc.		600 mm	90121
		Loading conveyor					3 pc.	650 mm	191392	
W 100 CF	1710	Discharge conveyor	5 pc.	4 pc.			6 pc.		600 mm	2341068
		Loading conveyor					3 pc.	650 mm	2341067	
W 100 CFi	1810	Discharge conveyor	5 pc.	4 pc.			6 pc.		600 mm	2341068
		Loading conveyor					3 pc.	650 mm	2341067	
W 100 XFi	1810	Loading conveyor					3 pc.	650 mm	2341067	
		Discharge conveyor	5 pc.	4 pc.			6 pc.	600 mm	2341068	





RETURN ROLLERS										
Series code	Serial code	Conveyor type	Requirement: discharge conveyor, folding conveyor	Requirement: discharge conveyor, folding conveyor, short	Requirement: discharge conveyor, short	Requirement: discharge conveyor, long	Requirement: discharge conveyor, standard	Requirement: loading conveyor	Width	Part no.
W 1200 F	0710	Discharge conveyor; Loading conveyor					6 pc.	3 pc.		90121
W 120 F	0810	Discharge conveyor	5 pc.	4 pc.			6 pc.		600 mm	90121
		Loading conveyor					3 pc.	650 mm	191392	
W 120 Fi	1310	Discharge conveyor	5 pc.	4 pc.			6 pc.		600 mm	90121
		Loading conveyor					3 pc.	650 mm	191392	
W 120 CF	1710	Discharge conveyor	5 pc.	4 pc.			6 pc.		600 mm	2341068
		Loading conveyor					3 pc.	650 mm	2341067	
W 120 CFi	1810	Discharge conveyor	5 pc.	4 pc.			6 pc.		600 mm	2341068
		Loading conveyor					3 pc.	650 mm	2341067	
W 120 XTi	1810	Discharge conveyor	5 pc.	4 pc.			6 pc.		600 mm	2341068
		Loading conveyor					3 pc.	650 mm	2341067	
W 120 XFi	1810	Discharge conveyor	5 pc.	4 pc.			6 pc.		600 mm	2341068
		Loading conveyor					3 pc.	650 mm	2341067	
W 120 Fi	2710	Discharge conveyor	5 pc.	4 pc.			6 pc.		600 mm	2341068

# CONVEYOR UNIT

RETURN ROLLERS										
Series code	Serial code	Conveyor type	Requirement: discharge conveyor, folding conveyor	Requirement: discharge conveyor, folding conveyor, short	Requirement: discharge conveyor, short	Requirement: discharge conveyor, long	Requirement: discharge conveyor, standard	Requirement: loading conveyor	Width	Part no.
W 120 Fi	2710	Loading conveyor						3 pc.	650 mm	2341067
W 120 FTi	2710	Loading conveyor						3 pc.	650 mm	2341067
		Loading conveyor	5 pc.	4 pc.			6 pc.		600 mm	2341068
W 1300 F	0710	Discharge conveyor; Loading conveyor					6 pc.	3 pc.		90121
W 130 F	0810	Discharge conveyor	5 pc.	4 pc.			6 pc.		600 mm	90121
		Loading conveyor					3 pc.	650 mm	191392	
W 130 Fi	1310	Discharge conveyor	5 pc.	4 pc.			6 pc.		600 mm	90121
		Loading conveyor					3 pc.	650 mm	191392	
W 130 CF	1710	Discharge conveyor	5 pc.	4 pc.			6 pc.		600 mm	2341068
		Loading conveyor					3 pc.	650 mm	2341067	
W 130 CFi	1810	Discharge conveyor	5 pc.	4 pc.			6 pc.		600 mm	2341068
		Loading conveyor					3 pc.	650 mm	2341067	
W 130 XFi	1810	Loading conveyor						3 pc.	650 mm	2341067
		Discharge conveyor	5 pc.	4 pc.			6 pc.		600 mm	2341068
W 130 Fi	2710	Loading conveyor						3 pc.	650 mm	2341067



RETURN ROLLERS										
Series code	Serial code	Conveyor type	Requirement: discharge conveyor, folding conveyor	Requirement: discharge conveyor, folding conveyor, short	Requirement: discharge conveyor, short	Requirement: discharge conveyor, long	Requirement: discharge conveyor, standard	Requirement: loading conveyor	Width	Part no.
W 130 Fi	2710	Discharge conveyor	5 pc.	4 pc.			6 pc.		600 mm	2341068
W 1500	0820	Discharge conveyor	5 pc.				5 pc.			111348
		Loading conveyor					2 pc.		52889	
W 150	0513	Discharge conveyor	5 pc.	4 pc.			6 pc.		600 mm	90121
		Loading conveyor					2 pc.	650 mm	191392	
W 150i	0613	Discharge conveyor	5 pc.	4 pc.			6 pc.		600 mm	90121
		Loading conveyor					2 pc.	650 mm	191392	
W 150 CF	0713	Discharge conveyor	5 pc.	4 pc.			5 pc.		600 mm	2341068
		Loading conveyor					2 pc.	650 mm	2341067	
W 150 CFi	0813	Loading conveyor					2 pc.	650 mm	2341067	
		Discharge conveyor	5 pc.	4 pc.			5 pc.	600 mm	2341068	
W 150 XFi	0813	Discharge conveyor	5 pc.	4 pc.			5 pc.		600 mm	2341068
		Loading conveyor					2 pc.	650 mm	2341067	
W 1900	0820	Discharge conveyor	5 pc.				5 pc.			111348
		Loading conveyor					2 pc.		52889	

# CONVEYOR UNIT

RETURN ROLLERS										
Series code	Serial code	Conveyor type	Requirement: discharge conveyor, folding conveyor	Requirement: discharge conveyor, folding conveyor, short	Requirement: discharge conveyor, short	Requirement: discharge conveyor, long	Requirement: discharge conveyor, standard	Requirement: loading conveyor	Width	Part no.
W 1900	0920	Loading conveyor						2 pc.		52889
		Discharge conveyor	5 pc.				5 pc.			111348
	1020	Discharge conveyor	5 pc.				5 pc.			111348
		Loading conveyor						2 pc.		52889
W 195	1820	Discharge conveyor; Loading conveyor	5 pc.				5 pc.	2 pc.		2091190
W 2000	0620, 1120	Discharge conveyor; Loading conveyor	5 pc.				5 pc.	2 pc.		111348
W 200	1220	Discharge conveyor; Loading conveyor	5 pc.				5 pc.	2 pc.		2091190
W 200i	1420	Discharge conveyor; Loading conveyor	5 pc.				5 pc.	2 pc.		2091190
W 200 F	2020	Discharge conveyor; Loading conveyor	5 pc.				5 pc.	2 pc.		2091190



RETURN ROLLERS										
Series code	Serial code	Conveyor type	Requirement: discharge conveyor, folding conveyor	Requirement: discharge conveyor, folding conveyor, short	Requirement: discharge conveyor, short	Requirement: discharge conveyor, long	Requirement: discharge conveyor, standard	Requirement: loading conveyor	Width	Part no.
W 200 Fi	2120	Discharge conveyor; Loading conveyor	5 pc.				5 pc.	2 pc.		2091190
W 200 H	1620	Discharge conveyor; Loading conveyor	3 pc.					2 pc.	800 mm	2104500
		Discharge conveyor	5 pc.						850 mm	2091190
W 200 Hi	1720	Discharge conveyor; Loading conveyor	3 pc.					2 pc.	800 mm	2104500
		Discharge conveyor	5 pc.						850 mm	2091190
W 205	2520	Discharge conveyor; Loading conveyor	5 pc.				5 pc.	2 pc.		2091190
W 207 Fi	2120	Discharge conveyor; Loading conveyor	5 pc.				5 pc.	2 pc.		2091190
W 2100	0921	Loading conveyor						2 pc.		146073
		Discharge conveyor	5 pc.				5 pc.			53907



# CONVEYOR UNIT

RETURN ROLLERS										
Series code	Serial code	Conveyor type	Requirement: discharge conveyor, folding conveyor	Requirement: discharge conveyor, folding conveyor, short	Requirement: discharge conveyor, short	Requirement: discharge conveyor, long	Requirement: discharge conveyor, standard	Requirement: loading conveyor	Width	Part no.
W 210	1320	Discharge conveyor; Loading conveyor	5 pc.				5 pc.	2 pc.		2091190
W 210i	1520	Discharge conveyor; Loading conveyor	5 pc.				5 pc.	2 pc.		2091190
W 210 Fi	2320	Discharge conveyor; Loading conveyor	5 pc.				5 pc.	2 pc.		2091190
W 210 XP	2420	Discharge conveyor; Loading conveyor	5 pc.				5 pc.	2 pc.		2091190
W 215	1920	Discharge conveyor; Loading conveyor	5 pc.				5 pc.	2 pc.		2091190
W 2200	0821	Discharge conveyor	5 pc.				5 pc.			116747
		Loading conveyor						2 pc.		146072
W 220	0522	Loading conveyor						2 pc.	1100 mm	2147184
		Discharge conveyor	5 pc.				5 pc.		1000 mm	2219716
W 220i	0722	Discharge conveyor	5 pc.				5 pc.		1000 mm	2219716



## RETURN ROLLERS

Series code	Serial code	Conveyor type	Requirement: discharge conveyor, folding conveyor	Requirement: discharge conveyor, folding conveyor, short	Requirement: discharge conveyor, short	Requirement: discharge conveyor, long	Requirement: discharge conveyor, standard	Requirement: loading conveyor	Width	Part no.
W 220i	0722	Loading conveyor						2 pc.	1100 mm	2147184
W 220 Fi	1122	Discharge conveyor	5 pc.				5 pc.		1000 mm	2219716
		Loading conveyor						2 pc.	1100 mm	2147184
W 250	0422	Discharge conveyor; Loading conveyor	5 pc.				5 pc.	2 pc.		2147184
W 250i	0622	Discharge conveyor; Loading conveyor	5 pc.				5 pc.	2 pc.		2147184
W 250 Fi	1322	Discharge conveyor; Loading conveyor	5 pc.				5 pc.	2 pc.		2147184
2200 CR	0821	Discharge conveyor	5 pc.				5 pc.			116747
		Loading conveyor						2 pc.		146072
W 240 CR	03CR	Discharge conveyor; Loading conveyor	5 pc.					2 pc.		2147184
W 240 CRi	04CR	Discharge conveyor; Loading conveyor	5 pc.					2 pc.		2147184



# CONVEYOR UNIT

RETURN ROLLERS										
Series code	Serial code	Conveyor type	Requirement: discharge conveyor, folding conveyor	Requirement: discharge conveyor, folding conveyor, short	Requirement: discharge conveyor, short	Requirement: discharge conveyor, long	Requirement: discharge conveyor, standard	Requirement: loading conveyor	Width	Part no.
W 380 CR	03CR	Discharge conveyor; Loading conveyor	5 pc.					2 pc.		2147184
W 380 CRi	04CR	Discharge conveyor; Loading conveyor	5 pc.					2 pc.		2147184
KMA 220	05MS	Loading conveyor						19 pc.		150768
		Loading conveyor						4 pc.		150792
		Discharge conveyor	2 pc.							111348
2200 SM	0821	Loading conveyor						2 pc.		146072
		Discharge conveyor	5 pc.				5 pc.			116747





# MAINTENANCE PARTS



Filling or lubricating your machine with a lubricant specially tailored to the application has a significant impact on the service life of the active parts in combustion engines, hydraulic components, gearboxes and bearings. WIRTGEN GROUP lubricants are optimised for your machine

and therefore meet these special requirements perfectly. Combined with WIRTGEN GROUP filter sets and maintenance packages, our lubricants are the best choice to maintain the performance of your machine and permanently reduce maintenance costs.



> Read more online

## FILTER PACKAGES

WIRTGEN GROUP filter systems, which are designed to be perfectly compatible with our lubricants and operating agents, ensure that the systems remain clean and prevent damage to components, thus maximising the service life of your machines. The filter packages contain the engine and hydraulic filters required based on the machine type's respective replacement interval. In order to ensure that the machine performs at its best, we recommend that you adhere to the specified replacement intervals.



FILTER PACKAGES							
Series code	Serial code	Series range	Type	Application	First service	Replacement interval	Part no.
W 35 DC	0403	1 - 165	Engine		50 h	500 h; 1000 h	189278
		1 - 9999	Hydraulics		50 h	500 h	107665
			Hydraulics			1000 h	106520

Due to possible technical changes, always refer to the information in the instruction manual.

# MAINTENANCE PARTS

FILTER PACKAGES								
Series code	Serial code	Series range	Type	Application	First service	Replacement interval	Part no.	
W 35 DC	0403	166 - 9999	Engine		50 h		2219665	
			Engine			500 h; 1000 h	2089190	
W 35 Ri	0703	1 - 9999	Engine		50 h		2438131	
			Hydraulics			1000 h	2449922	
			Hydraulics		50 h	500 h	2438377	
			Engine			500 h	2438358	
W 500	0605	5 - 275	Engine			500 h; 1000 h	106521	
			Engine		50 h	250 h	107686	
			Hydraulics		50 h	500 h	107649	
			Hydraulics			1000 h	106522	
		276 - 903	Engine		50 h	250 h	107686	
			Engine			500 h; 1000 h	106523	
		276 - 9999	Hydraulics		50 h	500 h	107650	
			Hydraulics				1000 h	106531
		904 - 9999	Engine				500 h; 1000 h	125016
			Engine		50 h	250 h	125015	
W 50	0805	1 - 9999	Engine		50 h	500 h; 1000 h	181302	
			Hydraulics			1000 h	182469	
			Hydraulics		50 h	500 h	182467	
	1005	1 - 27	Engine		50 h	500 h; 1000 h	2056606	
			Hydraulics		50 h	500 h	182467	
		1 - 9999	Hydraulics				1000 h	182469
			Engine			500 h; 1000 h	2089191	
		28 - 9999	Engine		50 h		2219642	
			Engine					
		W 50 DC	0905	1 - 234	Engine		50 h	500 h; 1000 h
1 - 9999	Hydraulics				50 h	500 h	182467	



FILTER PACKAGES							
Series code	Serial code	Series range	Type	Application	First service	Replacement interval	Part no.
W 50 DC	0905	1 - 9999	Hydraulics			1000 h	182469
		235 - 9999	Engine			500 h; 1000 h	2085671
			Engine		50 h		2219616
W 50 DCi	1205	1 - 9999	Hydraulics		50 h	500 h	182467
			Engine			500 h; 1000 h	2336958
			Engine		50 h		2336956
			Hydraulics			1000 h	182469
W 50 R	1405	1 - 9999	Hydraulics		50 h	500 h	182467
			Engine			500 h	2451842
			Engine		50 h		2219616
			Hydraulics			1000 h	182469
W 50 Ri	1505	1 - 999	Engine			1000 h	2370101
		1 - 9999	Hydraulics		50 h	500 h	182467
			Hydraulics			1000 h	182469
			Engine		50 h		2336956
			Engine			500 h	2370101
		1001 - 9999	Engine			1000 h	2520117
W 50 H	1305	1 - 9999	Hydraulics		50 h		2592883
			Hydraulics			500 h	2592891
			Hydraulics			1000 h	2592895
			Engine			1000 h	2592904
			Engine			250 h	2592902
			Engine			500 h	2592903
			Engine		50 h		2592898
W 55 H	1305	1 - 9999	Engine			1000 h	2592904
			Hydraulics		50 h		2592883

# MAINTENANCE PARTS

FILTER PACKAGES							
Series code	Serial code	Series range	Type	Application	First service	Replacement interval	Part no.
W 55 H	1305	1 - 9999	Hydraulics			500 h	2592891
			Engine			500 h	2592903
			Engine		50 h		2592898
			Engine			250 h	2592902
			Hydraulics			1000 h	2592895
W 60 R	1405	1 - 9999	Hydraulics		50 h	500 h	182467
			Engine			500 h	2451842
			Engine		50 h		2219616
			Hydraulics			1000 h	182469
W 60 Ri	1505	1 - 999	Engine			1000 h	2370101
		1 - 9999	Hydraulics		50 h	500 h	182467
			Hydraulics			1000 h	182469
			Engine		50 h		2336956
			Engine			500 h	2370101
		1001 - 9999	Engine			1000 h	2520117
W 60	0910	1 - 9999	Hydraulics		50 h	500 h	182467
			Engine		50 h		2196864
			Engine			500 h; 1000 h	2063467
			Hydraulics			1000 h	182469
W 60i	1210	1 - 9999	Hydraulics		50 h	500 h	182467
			Engine		50 h		2219670
			Engine			500 h; 1000 h	2217206
			Hydraulics			1000 h	182469
W 100	0910	1 - 9999	Hydraulics		50 h	500 h	182467
			Engine		50 h		2196864
			Engine			500 h; 1000 h	2063467



FILTER PACKAGES							
Series code	Serial code	Series range	Type	Application	First service	Replacement interval	Part no.
W 100	0910	1 - 9999	Hydraulics			1000 h	182469
W 100i	1210	1 - 9999	Hydraulics		50 h	500 h	182467
			Engine		50 h		2219670
			Engine			500 h; 1000 h	2217206
			Hydraulics			1000 h	182469
W 100	1010	1 - 9999	Hydraulics		50 h	500 h	182467
			Engine		50 h		2196864
			Engine			500 h; 1000 h	2063467
			Hydraulics			1000 h	182469
W 100 H	1910	1 - 9999	Engine			500 h	2379534
			Hydraulics			1000 h	2592826
			Hydraulics		50 h	500 h	2592824
			Engine		50 h		2379537
W 100	1110	1 - 9999	Hydraulics		50 h	500 h	182467
			Engine		50 h		2196864
			Engine			500 h	2063467
			Hydraulics			1000 h	182469
W 100 R	1510	1 - 9999	Engine		50 h		2196864
			Engine			500 h	2063467
			Hydraulics			1000 h	182469
			Hydraulics		50 h	500 h	182467
W 100 Ri	1610	1 - 9999	Hydraulics		50 h	500 h	182467
			Hydraulics			1000 h	182469
			Engine			1000 h	2572683
			Engine		50 h		2219670
			Engine			500 h	2217206

Due to possible technical changes, always refer to the information in the instruction manual.

# MAINTENANCE PARTS

FILTER PACKAGES							
Series code	Serial code	Series range	Type	Application	First service	Replacement interval	Part no.
W 100 H	1410	1 - 9999	Engine		50 h	250 h; 500 h; 1000 h	2586988
			Hydraulics			1000 h	2592826
			Hydraulics		50 h	500 h	2592824
W 120 R	1510	1 - 9999	Hydraulics		50 h	500 h	182467
			Engine		50 h		2196864
			Engine			500 h	2063467
			Hydraulics			1000 h	182469
W 120 Ri	1610	1 - 9999	Hydraulics		50 h	500 h	182467
			Hydraulics			1000 h	182469
			Engine			1000 h	2572683
			Engine		50 h		2219670
			Engine			500 h	2217206
W 130 H	1410	1 - 9999	Engine		50 h	250 h; 500 h; 1000 h	2586988
			Hydraulics			1000 h	2592826
			Hydraulics		50 h	500 h	2592824
	1910	1 - 9999	Engine			500 h	2379534
			Hydraulics			1000 h	2592826
			Hydraulics		50 h	500 h	2592824
			Engine		50 h		2379537
W 1000 F	0710	1 - 329	Hydraulics			1000 h	105556
			Hydraulics		50 h	500 h	107664
		2 - 74	Engine		50 h	500 h; 1000 h	136834
		75 - 559	Engine		50 h	500 h; 1000 h	136833
		330 - 9999	Hydraulics		50 h	500 h	181355
			Hydraulics			1000 h	172347
560 - 9999	Engine		50 h	500 h; 1000 h	182335		



FILTER PACKAGES							
Series code	Serial code	Series range	Type	Application	First service	Replacement interval	Part no.
W 100 F	0810	1 - 9999	Hydraulics			1000 h	172347
			Engine		50 h		2196859
			Engine			500 h; 1000 h	2060509
			Hydraulics		50 h	500 h	181355
W 100 Fi	1310	1 - 9999	Hydraulics			1000 h	172347
			Engine		50 h		2219674
			Engine			500 h; 1000 h	2217202
			Hydraulics		50 h	500 h	181355
W 100 CF	1710	1 - 9999	Hydraulics			1000 h	172347
			Engine		50 h		2196859
			Engine			500 h	2060509
			Hydraulics		50 h	500 h	181355
W 100 CFi	1810	1 - 9999	Hydraulics			1000 h	172347
			Hydraulics		50 h	500 h	181355
			Engine			1000 h	2428651
			Engine			500 h	2428649
			Engine		50 h		2428648
W 1200 F	0710	1 - 329	Hydraulics			1000 h	105556
			Hydraulics		50 h	500 h	107664
		2 - 74	Engine		50 h	500 h; 1000 h	136834
		75 - 559	Engine		50 h	500 h; 1000 h	136833
		330 - 9999	Hydraulics		50 h	500 h	181355
			Hydraulics			1000 h	172347
		560 - 9999	Engine		50 h	500 h; 1000 h	182335
W 120 F	0810	1 - 9999	Hydraulics			1000 h	172347
			Engine		50 h		2196859

# MAINTENANCE PARTS

FILTER PACKAGES							
Series code	Serial code	Series range	Type	Application	First service	Replacement interval	Part no.
W 120 F	0810	1 - 9999	Engine			500 h; 1000 h	2060509
			Hydraulics		50 h	500 h	181355
W 120 Fi	1310	1 - 9999	Hydraulics			1000 h	172347
			Engine		50 h		2219674
			Engine			500 h; 1000 h	2217202
			Hydraulics		50 h	500 h	181355
W 120 CF	1710	1 - 9999	Hydraulics			1000 h	172347
			Engine		50 h		2196859
			Engine			500 h	2060509
			Hydraulics		50 h	500 h	181355
W 120 CFi	1810	1 - 9999	Hydraulics			1000 h	172347
			Hydraulics		50 h	500 h	181355
			Engine			1000 h	2428651
			Engine			500 h	2428649
			Engine		50 h		2428648
W 1300 F	0710	1 - 329	Hydraulics			1000 h	105556
			Hydraulics		50 h	500 h	107664
		2 - 74	Engine		50 h	500 h; 1000 h	136834
		75 - 559	Engine		50 h	500 h; 1000 h	136833
		330 - 9999	Hydraulics		50 h	500 h	181355
			Hydraulics			1000 h	172347
		560 - 9999	Engine		50 h	500 h; 1000 h	182335
W 130 F	0810	1 - 9999	Hydraulics			1000 h	172347
			Engine		50 h		2196859
			Engine			500 h; 1000 h	2060509
			Hydraulics		50 h	500 h	181355





FILTER PACKAGES							
Series code	Serial code	Series range	Type	Application	First service	Replacement interval	Part no.
W 130 Fi	1310	1 - 9999	Hydraulics		50 h	500 h	181355
			Hydraulics			1000 h	172347
			Engine		50 h		2219674
			Engine			500 h; 1000 h	2217202
W 130 CF	1710	1 - 9999	Hydraulics			1000 h	172347
			Engine		50 h		2196859
			Engine			500 h	2060509
			Hydraulics		50 h	500 h	181355
W 130 CFi	1810	1 - 9999	Hydraulics			1000 h	172347
			Hydraulics		50 h	500 h	181355
			Engine			1000 h	2428651
			Engine			500 h	2428649
			Engine		50 h		2428648
W 1500	0820	1 - 638	Hydraulics			1000 h	130775
			Hydraulics		50 h	500 h	181920
		1 - 9999	Engine			500 h; 1000 h	147248
			Engine		50 h	250 h	193135
		639 - 9999	Hydraulics		50 h	500 h	2160672
			Hydraulics				1000 h
W 150	0513	1 - 9999	Hydraulics			1000 h	172347
			Engine		50 h		2196859
			Engine			500 h; 1000 h	2060509
			Hydraulics		50 h	500 h	181355
W 150i	0613	1 - 9999	Hydraulics			1000 h	172347
			Engine		50 h		2219674
			Engine			500 h; 1000 h	2217202

# MAINTENANCE PARTS

FILTER PACKAGES							
Series code	Serial code	Series range	Type	Application	First service	Replacement interval	Part no.
W 150i	0613	1 - 9999	Hydraulics		50 h	500 h	181355
W 150 CF	0713	1 - 9999	Hydraulics			1000 h	172347
			Engine		50 h		2196859
			Engine			500 h	2060509
			Hydraulics		50 h	500 h	181355
W 150 CFi	0813	1 - 9999	Hydraulics			1000 h	172347
			Hydraulics		50 h	500 h	181355
			Engine			1000 h	2428651
			Engine			500 h	2428649
			Engine		50 h		2428648
W 1900	0820, 0920	1 - 638	Hydraulics			1000 h	130775
			Hydraulics		50 h	500 h	181920
		1 - 9999	Engine			500 h; 1000 h	147248
			Engine		50 h	250 h	193135
		639 - 9999	Hydraulics		50 h	500 h	2160672
			Hydraulics				1000 h
	1020	1 - 9999	Hydraulics		50 h	500 h	2160672
			Engine		50 h	250 h	2594264
			Engine			500 h; 1000 h	2586907
			Hydraulics			1000 h	2160674
W 195	1820	1 - 9999	Hydraulics		50 h	500 h	2110454
			Hydraulics			1000 h	2591800
			Engine		50 h		2196860
			Engine			500 h	2141040
W 2000	0620	1 - 865	Engine		50 h	250 h	192887
			Engine			500 h; 1000 h	130774



FILTER PACKAGES								
Series code	Serial code	Series range	Type	Application	First service	Replacement interval	Part no.	
W 2000	0620	1 - 1438	Hydraulics		50 h	500 h	181920	
			Hydraulics			1000 h	130775	
		866 - 9999	Engine		50 h	250 h	194311	
			Engine			500 h; 1000 h	194312	
		1439 - 9999	Hydraulics		50 h	500 h	2160672	
			Hydraulics			1000 h	2160674	
	1120	1 - 533	Engine		50 h	250 h	194311	
			Engine			500 h; 1000 h	2586677	
		1 - 9999	Hydraulics		50 h	500 h	2160672	
			Hydraulics			1000 h	2160674	
		534 - 635	Engine			500 h; 1000 h	2586679	
			Engine		50 h	250 h	2592866	
		636 - 9999	Engine			500 h; 1000 h	2586682	
			Engine		50 h	250 h	2592909	
	W 200	1220	1 - 9999	Hydraulics		50 h	500 h	2110454
				Engine		50 h		2196860
Engine						500 h; 1000 h	2141040	
Hydraulics						1000 h	2110456	
W 200i	1420	1 - 22	Engine		50 h		2219675	
			Engine			500 h	2217204	
		1 - 9999	Hydraulics		50 h	500 h	2110454	
			Hydraulics			1000 h	2110456	
		23 - 888	Engine		50 h		2219675	
			Engine			500 h	2547239	
		1001 - 9999	Engine			1000 h	2432907	
			Engine			500 h	2432906	

# MAINTENANCE PARTS

FILTER PACKAGES							
Series code	Serial code	Series range	Type	Application	First service	Replacement interval	Part no.
W 200i	1420	1001 - 9999	Engine		50 h		2432905
W 200 F	2020	1 - 9999	Hydraulics		50 h	500 h	2110454
			Engine		50 h		2196860
			Engine			1000 h	2875321
			Engine			500 h	2721944
			Hydraulics			1000 h	2680061
W 200 Fi	2120	1 - 9999	Hydraulics		50 h	500 h	2110454
			Hydraulics			1000 h	2680061
			Engine			1000 h	2680196
			Engine			500 h	2680195
			Engine		50 h		2680194
W 200 H	1620	1 - 9999	Engine		50 h		2196860
			Hydraulics		50 h	500 h	2273099
			Hydraulics			1000 h	2273095
			Engine			500 h; 1000 h	2223531
W 200 Hi	1720	1 - 3	Engine		50 h		2219675
			Engine			500 h	2217204
		1 - 9999	Hydraulics			1000 h	2273095
			Hydraulics		50 h	500 h	2273099
		4 - 888	Engine		50 h		2219675
			Engine			500 h	2547239
		1001 - 9999	Engine			1000 h	2446714
			Engine			500 h	2446710
Engine			50 h		2432905		
W 205	2520	1 - 9999	Hydraulics		50 h	500 h	2110454
			Hydraulics			1000 h	2591800



FILTER PACKAGES								
Series code	Serial code	Series range	Type	Application	First service	Replacement interval	Part no.	
W 205	2520	1 - 9999	Engine		50 h		2196860	
			Engine			500 h	2141040	
W 207 Fi	2120	1 - 9999	Hydraulics		50 h	500 h	2110454	
			Hydraulics			1000 h	2680061	
			Engine			1000 h	2680196	
			Engine			500 h	2680195	
			Engine		50 h		2680194	
W 2100	0921	1 - 129	Engine			500 h; 1000 h	130774	
			Engine		50 h	250 h	192887	
		1 - 384	Hydraulics				1000 h	130775
			Hydraulics		50 h		500 h	181920
		130 - 9999	Engine				500 h; 1000 h	186536
			Engine		50 h		250 h	193132
		385 - 9999	Hydraulics		50 h		500 h	2160672
			Hydraulics				1000 h	2160674
W 210	1320	1 - 9999	Hydraulics		50 h	500 h	2110454	
			Engine		50 h		2196861	
			Engine			500 h; 1000 h	2141041	
			Hydraulics			1000 h	2110456	
W 210i	1520	1 - 999	Engine			500 h	2217203	
			Engine		50 h		2219676	
		1 - 9999	Hydraulics		50 h		500 h	2110454
			Hydraulics				1000 h	2110456
		1001 - 9999	Engine		50 h			2432165
			Engine				500 h	2432166
Engine					1000 h	2432168		

# MAINTENANCE PARTS

FILTER PACKAGES							
Series code	Serial code	Series range	Type	Application	First service	Replacement interval	Part no.
W 210 Fi	2320	1 - 9999	Hydraulics			1000 h	2680061
			Engine			1000 h	2881265
			Engine			500 h	2680058
			Engine		50 h		2500496
			Hydraulics		50 h	500 h	2110454
W 210 XP	2420	1 - 9999	Hydraulics		50 h	500 h	2110454
			Engine		50 h		2219172
			Engine			250 h	2215627
			Hydraulics			1000 h	2110456
W 215	1920	1 - 9999	Hydraulics		50 h	500 h	2110454
			Hydraulics			1000 h	2591800
			Engine		50 h		2196860
			Engine			500 h	2141040
W 2200	0821	1 - 499	Engine			500 h	130344
			Hydraulics			1000 h	130345
			Engine		50 h	250 h	193133
			Hydraulics		50 h	500 h	193134
		500 - 9999	Engine		50 h	250 h	2110174
			Engine			500 h	2110175
			Hydraulics		50 h	500 h	2110454
			Hydraulics			1000 h	2110456
W 220	0522	1 - 9999	Hydraulics		50 h	500 h	2110454
			Engine		50 h		2219172
			Engine			250 h	2215627
			Hydraulics			1000 h	2110456
W 220i	0722	1 - 9999	Hydraulics		50 h	500 h	2110454



FILTER PACKAGES							
Series code	Serial code	Series range	Type	Application	First service	Replacement interval	Part no.
W 220i	0722	1 - 9999	Hydraulics			1000 h	2110456
			Engine			1000 h	2548852
			Engine			500 h	2546015
			Engine		50 h		2546013
W 250	0422	1 - 9999	Hydraulics		50 h	500 h	2110454
			Engine		50 h		2196862
			Engine			500 h	2173465
			Hydraulics			1000 h	2110456
W 250i	0622	1 - 999	Engine		50 h		2275504
			Engine			500 h	2275505
		1 - 9999	Hydraulics		50 h	500 h	2110454
			Hydraulics			1000 h	2110456
		1001 - 9999	Engine		50 h		2466710
			Engine			500 h	2466711
Engine			1000 h	2466719			
WR 2000	03WR	1 - 327	Hydraulics			1000 h	130775
			Hydraulics		50 h	500 h	181920
		1 - 9999	Engine		50 h	250 h	181918
			Engine			500 h; 1000 h	181919
		328 - 9999	Hydraulics		50 h	500 h	2160672
			Hydraulics			1000 h	2160674
WR 200	06WR	1 - 9999	Engine		50 h	250 h	181918
			Hydraulics			1000 h	2160674
			Hydraulics		50 h	500 h	2160672
			Engine			500 h	181919
WR 200i	09WR	1 - 9999	Hydraulics		50 h	500 h	2160672

# MAINTENANCE PARTS

FILTER PACKAGES							
Series code	Serial code	Series range	Type	Application	First service	Replacement interval	Part no.
WR 200i	09WR	1 - 9999	Engine		50 h		2331705
			Engine			500 h	2331704
			Hydraulics			1000 h	2160674
WR 200 XLi	09WR	1 - 9999	Hydraulics		50 h	500 h	2160672
			Engine		50 h		2331705
			Engine			500 h	2331704
			Hydraulics			1000 h	2160674
WR 2400	05WR	1 - 211	Hydraulics			1000 h	130775
			Hydraulics		50 h	500 h	181920
		1 - 9999	Engine			500 h; 1000 h	192131
			Engine		50 h	250 h	192389
		212 - 9999	Hydraulics		50 h	500 h	2160672
			Hydraulics				1000 h
WR 240	07WR	1 - 9999	Hydraulics		50 h	500 h	2160672
			Engine			500 h	2223531
			Engine		50 h		2196860
			Hydraulics			1000 h	2160674
WR 240i	10WR	1 - 83	Engine			500 h	2217204
		1 - 888	Engine		50 h		2219675
		1 - 9999	Hydraulics		50 h	500 h	2160672
			Hydraulics			1000 h	2160674
		84 - 888	Engine			500 h	2409545
		1001 - 9999	Engine			500 h	2343449
			Engine			1000 h	2431650
			Engine		50 h		2432905
WR 2500 S	04WR	1 - 350	Hydraulics			1000 h	165054





FILTER PACKAGES							
Series code	Serial code	Series range	Type	Application	First service	Replacement interval	Part no.
WR 2500 S	04WR	1 - 350	Engine			500 h; 1000 h	165057
			Engine		50 h	250 h	165056
			Hydraulics		50 h	500 h	165055
		351 - 9999	Engine			250 h	2115213
			Engine			500 h; 1000 h	2115214
			Hydraulics		50 h	500 h	2116463
			Hydraulics			1000 h	2116464
			Engine		50 h		2219697
WR 250	08WR	1 - 9999	Engine		50 h		2219172
			Hydraulics			1000 h	2160674
			Hydraulics		50 h	500 h	2160672
			Engine			250 h	2262419
WR 250i	11WR	1 - 9999	Hydraulics		50 h	500 h	2160672
			Engine			250 h	2500497
			Engine		50 h		2500496
			Hydraulics			1000 h	2160674
WM 1000	03MS	1 - 37	Engine			500 h	166184
		1 - 134	Hydraulics			1000 h	166187
			Hydraulics			500 h	193136
		38 - 104	Engine			500 h	166186
		105 - 9999	Engine			500 h	2079386
		135 - 9999	Hydraulics				1000 h
Hydraulics					500 h	2181374	
2200 CR	0821	1 - 499	Engine			500 h; 1000 h	130344
			Hydraulics			1000 h	130345
			Engine		50 h	250 h	193133

# MAINTENANCE PARTS

FILTER PACKAGES							
Series code	Serial code	Series range	Type	Application	First service	Replacement interval	Part no.
2200 CR	0821	1 - 499	Hydraulics		50 h	500 h	193134
		500 - 9999	Engine		50 h	250 h	2110174
			Engine			500 h; 1000 h	2110175
			Hydraulics		50 h	500 h	2110454
			Hydraulics			1000 h	2110456
W 240 CR	03CR	1 - 9999	Hydraulics		50 h	500 h	2570001
			Engine			500 h; 1000 h	2570010
			Engine		50 h	250 h	2570009
			Hydraulics			1000 h	2570006
W 240 CRi	04CR	1 - 9999	Hydraulics		50 h	500 h	2570001
			Engine			500 h; 1000 h	2570008
			Engine		50 h	250 h	2570007
			Hydraulics			1000 h	2570006
W 380 CR	03CR	1 - 9999	Hydraulics		50 h	500 h	2570001
			Engine			500 h; 1000 h	2570010
			Engine		50 h	250 h	2570009
			Hydraulics			1000 h	2570006
W 380 CRi	04CR	1 - 9999	Hydraulics			1000 h	2570006
			Hydraulics		50 h	500 h	2570001
			Engine			500 h; 1000 h	2570008
			Engine		50 h	250 h	2570007
KMA 200	04MS	1 - 9999	Hydraulics			1000 h	130775
			Hydraulics		50 h	500 h	181920
			Engine			500 h	167637
KMA 220i	06MS	1 - 9999	Hydraulics		50 h	500 h	2160672
			Hydraulics			1000 h	2160674



FILTER PACKAGES							
Series code	Serial code	Series range	Type	Application	First service	Replacement interval	Part no.
KMA 220i	06MS	1 - 9999	Engine			1000 h	2530854
			Engine			500 h	2463271
			Engine		50 h		2219670
KMA 220	05MS	1 - 42	Hydraulics			1000 h	130775
			Hydraulics		50 h	500 h	181920
		1 - 9999	Engine		50 h	500 h	2103183
		43 - 9999	Hydraulics		50 h	500 h	2160672
			Hydraulics				1000 h
RX 4500	05RX	1 - 9999	Engine		50 h	500 h	2054557
			Hydraulics		50 h	500 h	166477
4500 HM	02HM	1 - 15	Hydraulics		50 h	500 h; 1000 h	85249
		1 - 67	Engine		50 h	250 h; 500 h; 1000 h	166188
		16 - 67	Hydraulics		50 h	500 h; 1000 h	167012
		68 - 9999	Hydraulics		50 h	500 h; 1000 h	165087
			Engine		50 h	250 h; 500 h; 1000 h	166263
HM 4500	06HM	1 - 6	Engine			250 h	125015
			Engine			500 h	125016
		1 - 28	Hydraulics			500 h	182359
		7 - 28	Engine			500 h	176653
		29 - 69	Engine			500 h	181303
		29 - 9999	Hydraulics			500 h	2181377
		70 - 9999	Engine			500 h	2085671
SP 150	09SP	1 - 4	Engine		50 h	500 h; 1000 h	181302
		1 - 9999	Hydraulics		50 h	500 h; 1000 h	2060566
		5 - 9999	Engine		50 h	500 h; 1000 h	2077854
SP 15	12SP	1 - 9999	Engine			500 h	2164063

# MAINTENANCE PARTS

FILTER PACKAGES							
Series code	Serial code	Series range	Type	Application	First service	Replacement interval	Part no.
SP 15	12SP	1 - 9999	Engine		50 h		2196863
			Hydraulics		50 h	500 h	2164534
SP 15i	14SP	1 - 9999	Engine		50 h		2219670
			Hydraulics		50 h	500 h; 1000 h	2164534
			Engine			500 h; 1000 h	2330727
SP 250	08SP	1 - 65	Hydraulics			1000 h	107431
			Hydraulics		50 h	500 h	107655
			Engine		50 h	250 h	125015
			Engine			500 h; 1000 h	125016
		66 - 9999	Engine		50 h	500 h; 1000 h	176653
			Hydraulics		50 h	500 h	176654
SP 25	13SP	1 - 9999	Hydraulics			1000 h	176655
			Engine			500 h	2063467
			Engine		50 h		2196864
SP 25i	15SP	1 - 888	Engine			500 h	2217206
			Engine		50 h		2219670
		1 - 9999	Hydraulics		50 h	500 h	2167088
		1001 - 9999	Engine		50 h		2336956
			Engine			500 h	2336958
SP 500	10SP	1 - 59	Engine		50 h	500 h; 1000 h	182335
		1 - 9999	Hydraulics	Electric vibrators	50 h	500 h	182338
			Hydraulics	Electric vibrators		1000 h	182339
			Hydraulics	Hydraulic vibrators	50 h	500 h	182340
			Hydraulics	Hydraulic vibrators		1000 h	182341
		60 - 9999	Engine		50 h	500 h; 1000 h	2103183



FILTER PACKAGES							
Series code	Serial code	Series range	Type	Application	First service	Replacement interval	Part no.
SP 61	22SP	1 - 9999	Engine			500 h	2063467
			Hydraulics	Hydraulic vibrators	50 h	500 h	2362731
			Hydraulics	Electric vibrators	50 h	500 h	2362727
			Engine		50 h		2196864
SP 61i	23SP	1 - 9999	Engine			500 h	2217206
			Engine		50 h		2219670
			Hydraulics	Electric vibrators		500 h	2362727
			Hydraulics	Hydraulic vibrators		500 h	2362731
			Engine			1000 h	2529911
SP 62	22SP	1 - 9999	Engine			500 h	2063467
			Hydraulics	Hydraulic vibrators	50 h	500 h	2362731
			Hydraulics	Electric vibrators	50 h	500 h	2362727
			Engine		50 h		2196864
SP 62i	23SP	1 - 9999	Engine			500 h	2217206
			Engine		50 h		2219670
			Engine			1000 h	2529911
			Hydraulics	Hydraulic vibrators		500 h	2362731
			Hydraulics	Electric vibrators		500 h	2362727
SP 64	22SP	1 - 9999	Engine			500 h	2063467
			Hydraulics	Hydraulic vibrators	50 h	500 h	2362731
			Hydraulics	Electric vibrators	50 h	500 h	2362727
			Engine		50 h		2196864
SP 64i	23SP	1 - 9999	Engine			500 h	2217206
			Engine		50 h		2219670
			Engine			1000 h	2529911
			Hydraulics	Hydraulic vibrators		500 h	2362731

# MAINTENANCE PARTS

FILTER PACKAGES							
Series code	Serial code	Series range	Type	Application	First service	Replacement interval	Part no.
SP 64i	23SP	1 - 9999	Hydraulics	Electric vibrators		500 h	2362727
SP 92	20SP	1 - 9999	Engine		50 h		2196859
			Engine			500 h	2465134
			Hydraulics	Hydraulic vibrators	50 h	500 h	2362731
			Hydraulics	Electric vibrators	50 h	500 h	2362727
SP 92i	21SP	1 - 9999	Hydraulics	Electric vibrators		500 h	2362727
			Hydraulics	Hydraulic vibrators		500 h	2362731
			Engine			1000 h	2474459
			Engine			500 h	2465498
			Engine		50 h		2428648
SP 94	20SP	1 - 9999	Hydraulics	Hydraulic vibrators	50 h	500 h	2362731
			Hydraulics	Electric vibrators	50 h	500 h	2362727
			Engine		50 h		2196859
			Engine			500 h	2465134
SP 94i	21SP	1 - 9999	Hydraulics	Electric vibrators		500 h	2362727
			Hydraulics	Hydraulic vibrators		500 h	2362731
			Engine			1000 h	2474459
			Engine			500 h	2465498
			Engine		50 h		2428648
SP 124	18SP	1 - 9999	Engine		50 h		2196859
			Engine			500 h	2465441
			Hydraulics	Electric vibrators; Hydraulic vibrators	50 h	500 h; 1000 h	2362731
SP 124i	19SP	1 - 9999	Engine			500 h	2465474
			Engine			1000 h	2474461
			Hydraulics	Hydraulic vibrators	50 h	500 h	2362731



FILTER PACKAGES							
Series code	Serial code	Series range	Type	Application	First service	Replacement interval	Part no.
SP 124i	19SP	1 - 9999	Hydraulics	Electric vibrators	50 h	500 h	2362727
			Engine		50 h		2769854
SP 124i US	19SP	1 - 9999	Hydraulics	Electric vibrators	50 h	500 h	2362727
			Hydraulics	Hydraulic vibrators	50 h	500 h	2362731
			Engine		50 h		2769854
			Engine			1000 h	2474461
			Engine			500 h	2465474
SP 124 L	18SP	1 - 9999	Engine		50 h		2196859
			Engine			500 h	2465441
			Hydraulics	Electric vibrators; Hydraulic vibrators	50 h	500 h; 1000 h	2362731
SP 124 Li	19SP	1 - 9999	Hydraulics	Electric vibrators	50 h	500 h	2362727
			Hydraulics	Hydraulic vibrators	50 h	500 h	2362731
			Engine		50 h		2769854
			Engine			1000 h	2474461
			Engine			500 h	2465474
SP 124 Li US	19SP	1 - 9999	Hydraulics	Electric vibrators	50 h	500 h	2362727
			Hydraulics	Hydraulic vibrators	50 h	500 h	2362731
			Engine		50 h		2769854
			Engine			1000 h	2474461
			Engine			500 h	2465474
2200 SM	0821	1 - 499	Engine			500 h; 1000 h	130344
			Hydraulics			1000 h	130345
			Engine		50 h	250 h	193133
			Hydraulics		50 h	500 h	193134
		500 - 9999	Engine		50 h	250 h	2110174

# MAINTENANCE PARTS

FILTER PACKAGES							
Series code	Serial code	Series range	Type	Application	First service	Replacement interval	Part no.
2200 SM	0821	500 - 9999	Engine			500 h; 1000 h	2110175
			Hydraulics		50 h	500 h	2110454
			Hydraulics			1000 h	2110456

## MAINTENANCE PACKAGES

Genuine WIRTGEN GROUP maintenance packages are our comprehensive all-round package and contain all the air, fuel, engine oil and hydraulic filters as well as lubricants, oils and seals required for the machine's first service or the specified replacement interval, depending on the machine type (with the exception of hydraulic oil). In order to ensure that the machine performs at its best, we recommend that you adhere to the specified replacement intervals.



MAINTENANCE PACKAGES						
Series code	Serial code	Series range	First service	Replacement interval	Part no.	
W 35 DC	0403	1 - 165	50 h	500 h	2103026	
				1000 h	2103033	
		166 - 9999	50 h	500 h	2103027	
				1000 h	2103034	
W 35 Ri	0703	1 - 9999		1000 h	2450026	
			50 h	500 h	2450025	
W 500	0605	5 - 275		250 h	2103055	
				1000 h	2103060	
				500 h	2103057	
			50 h		2103050	
		276 - 903		1000 h	2103061	
				500 h	2103058	
		250 h	2103055			





MAINTENANCE PACKAGES					
Series code	Serial code	Series range	First service	Replacement interval	Part no.
W 500	0605	276 - 903	50 h		2103051
		904 - 9999	50 h		2103053
				1000 h	2103062
				250 h	2103056
				500 h	2103059
W 50	0805	1 - 9999		1000 h	2102987
			50 h	500 h	2102984
	1005	1 - 27	50 h	500 h	2101448
				1000 h	2101455
		28 - 9999	50 h	500 h	2101449
				1000 h	2101456
W 50 DC	0905	1 - 234	50 h	500 h	2103063
				1000 h	2103069
		235 - 9999	50 h	500 h	2103064
				1000 h	2103070
W 50 DCi	1205	1 - 9999		1000 h	2336961
			50 h	500 h	2336960
W 50 R	1405	1 - 9999		1000 h	2391119
			50 h	500 h	2391117
W 50 Ri	1505	1 - 999		1000 h	2370087
		1 - 9999	50 h	500 h	2370086
		1001 - 9999		1000 h	2520130
W 50 H	1305	1 - 9999	50 h		2592684
				1000 h	2592689
				500 h	2592688
				250 h	2592686

# MAINTENANCE PARTS

MAINTENANCE PACKAGES					
Series code	Serial code	Series range	First service	Replacement interval	Part no.
W 55 H	1305	1 - 9999	50 h		2592684
				1000 h	2592689
				500 h	2592688
				250 h	2592686
W 60 R	1405	1 - 9999		1000 h	2391119
			50 h	500 h	2391117
W 60 Ri	1505	1 - 999		1000 h	2370087
		1 - 9999	50 h	500 h	2370086
		1001 - 9999		1000 h	2520130
W 60	0910	1 - 9999		1000 h	2103075
			50 h	500 h	2103072
W 60i	1210	1 - 9999	50 h		2217272
				1000 h	2217274
				500 h	2217273
W 100	0910	1 - 9999		1000 h	2103075
			50 h	500 h	2103072
W 100i	1210	1 - 9999	50 h		2217272
				1000 h	2217274
				500 h	2217273
W 100	1010	1 - 9999		1000 h	2103075
			50 h	500 h	2103072
W 100 H	1910	1 - 9999		1000 h	2586361
			50 h		2586367
				500 h	2586365
W 100 R	1510	1 - 9999		500 h	2103072
			50 h		2217862



MAINTENANCE PACKAGES					
Series code	Serial code	Series range	First service	Replacement interval	Part no.
W 100 R	1510	1 - 9999		1000 h	2103075
W 100 Ri	1610	1 - 9999	50 h		2217272
				1000 h	2217274
				500 h	2217273
W 100 H	1410	1 - 9999	50 h		2330828
				500 h; 1000 h	2330836
				250 h	2330832
W 120 R	1510	1 - 9999		500 h	2103072
			50 h		2217862
				1000 h	2103075
W 120 Ri	1610	1 - 9999	50 h		2217272
				1000 h	2217274
				500 h	2217273
W 130 H	1410	1 - 9999	50 h		2330828
				500 h; 1000 h	2330836
				250 h	2330832
	1910	1 - 9999		500 h	2586365
				1000 h	2586361
			50 h		2586367
W 1000 F	0710	1 - 74		1000 h	2103263
			50 h	500 h	2103254
		75 - 329	50 h	500 h	2103255
				1000 h	2103264
		330 - 559	50 h	500 h	2103256
				1000 h	2103265
560 - 9999	50 h	500 h	2103257		

# MAINTENANCE PARTS

MAINTENANCE PACKAGES					
Series code	Serial code	Series range	First service	Replacement interval	Part no.
W 1000 F	0710	560 - 9999		1000 h	2103266
W 100 F	0810	1 - 9999	50 h		2103071
				1000 h	2103078
				500 h	2103077
W 100 Fi	1310	1 - 9999	50 h		2217276
				1000 h	2217279
				500 h	2217278
W 100 CF	1710	1 - 9999	50 h		2466540
				1000 h	2466542
				500 h	2466541
W 100 CFi	1810	1 - 9999	50 h		2428575
				1000 h	2428578
				500 h	2428576
W 1200 F	0710	1 - 74		1000 h	2103263
			50 h	500 h	2103254
		75 - 329	50 h	500 h	2103255
				1000 h	2103264
		330 - 559	50 h	500 h	2103256
				1000 h	2103265
560 - 9999	50 h	500 h	2103257		
		1000 h	2103266		
W 120 F	0810	1 - 9999	50 h		2103071
				1000 h	2103078
				500 h	2103077
W 120 Fi	1310	1 - 9999	50 h		2217276
				1000 h	2217279



MAINTENANCE PACKAGES					
Series code	Serial code	Series range	First service	Replacement interval	Part no.
W 120 Fi	1310	1 - 9999		500 h	2217278
W 120 CF	1710	1 - 9999	50 h		2466540
				1000 h	2466542
				500 h	2466541
W 120 CFi	1810	1 - 9999	50 h		2428575
				1000 h	2428578
				500 h	2428576
W 1300 F	0710	1 - 74		1000 h	2103263
			50 h	500 h	2103254
		75 - 329	50 h	500 h	2103255
				1000 h	2103264
		330 - 559	50 h	500 h	2103256
				1000 h	2103265
560 - 9999	50 h	500 h	2103257		
		1000 h	2103266		
W 130 F	0810	1 - 9999	50 h		2103071
				1000 h	2103078
				500 h	2103077
W 130 Fi	1310	1 - 9999	50 h		2217276
				1000 h	2217279
				500 h	2217278
W 130 CF	1710	1 - 9999	50 h		2466540
				1000 h	2466542
				500 h	2466541
W 130 CFi	1810	1 - 9999	50 h		2428575
				1000 h	2428578

# MAINTENANCE PARTS

MAINTENANCE PACKAGES					
Series code	Serial code	Series range	First service	Replacement interval	Part no.
W 130 CFi	1810	1 - 9999		500 h	2428576
W 1500	0820	1 - 638	50 h		2103178
				250 h	2103179
				500 h	2103180
				1000 h	2103181
		639 - 9999		250 h	2103179
			50 h		2181376
W 150	0513	1 - 9999	50 h		2103071
				500 h	2103077
				1000 h	2103076
W 150i	0613	1 - 9999	50 h		2217276
				1000 h	2217280
				500 h	2217278
W 150 CF	0713	1 - 9999	50 h		2103071
				500 h	2103077
				1000 h	2103076
W 150 CFi	0813	1 - 9999	50 h		2428575
				1000 h	2428578
				500 h	2428576
W 1900	0820	1 - 638	50 h		2103178
				250 h	2103179
				500 h	2103180
				1000 h	2103181
		639 - 9999		250 h	2103179



MAINTENANCE PACKAGES					
Series code	Serial code	Series range	First service	Replacement interval	Part no.
W 1900	0820	639 - 9999	50 h		2181376
				500 h	2183826
				1000 h	2183827
	1020	1 - 9999	50 h		2586909
				250 h	2594221
				1000 h	2586913
				500 h	2586912
	W 195	1820	1 - 9999	50 h	
				1000 h	2591801
				500 h	2142163
W 2000	0620	1 - 865		1000 h	2103165
			50 h		2103158
				250 h	2103161
				500 h	2103163
		866 - 1438		500 h	2103164
				250 h	2103162
			50 h		2103159
				1000 h	2103166
		1439 - 9999		1000 h	2183831
				500 h	2183830
				250 h	2103162
			50 h		2183828
	1120	1 - 533	50 h		2586744
				500 h	2586756
				1000 h	2586763
			250 h	2592912	

# MAINTENANCE PARTS

MAINTENANCE PACKAGES					
Series code	Serial code	Series range	First service	Replacement interval	Part no.
W 2000	1120	534 - 635	50 h		2586745
				500 h	2586758
				250 h	2592916
				1000 h	2586764
		636 - 9999	50 h		2586746
				1000 h	2586765
				500 h	2586759
				250 h	2592917
W 200	1220	1 - 9999	50 h		2142161
				1000 h	2142164
				500 h	2142163
W 200i	1420	1 - 22		1000 h	2217286
			50 h		2217283
				500 h	2217285
		23 - 888		500 h	2547243
			50 h		2217283
				1000 h	2547244
		1001 - 9999		1000 h	2432910
			50 h		2432908
	500 h		2432909		
W 200 F	2020	1 - 9999	50 h		2712799
				1000 h	2712906
				500 h	2712826
W 200 Fi	2120	1 - 9999	50 h		2659845
				1000 h	2659848
				500 h	2659847





MAINTENANCE PACKAGES					
Series code	Serial code	Series range	First service	Replacement interval	Part no.
W 200 H	1620	1 - 9999	50 h		2347202
				1000 h	2347271
				500 h	2347204
W 200 Hi	1720	1 - 3		1000 h	2347196
				500 h	2347195
			50 h		2347194
		4 - 888	50 h		2347194
				1000 h	2547265
				500 h	2547264
		1001 - 9999		1000 h	2446682
			50 h		2446680
				500 h	2446681
W 205	2520	1 - 9999	50 h		2142161
				1000 h	2591801
				500 h	2142163
W 207 Fi	2120	1 - 9999	50 h		2659845
				1000 h	2659848
				500 h	2659847
W 2100	0921	1 - 129	50 h		2103296
				1000 h	2103302
				500 h	2103300
				250 h	2103298
		130 - 384		500 h	2103301
				250 h	2103299
			50 h		2103297
				1000 h	2103303

# MAINTENANCE PARTS

MAINTENANCE PACKAGES					
Series code	Serial code	Series range	First service	Replacement interval	Part no.
W 2100	0921	385 - 9999		1000 h	2183836
				500 h	2183835
			50 h		2183833
				250 h	2103299
W 210	1320	1 - 9999	50 h		2142158
				1000 h	2142160
				500 h	2142159
W 210i	1520	1 - 999	50 h		2217287
				500 h	2217288
				1000 h	2217290
		1001 - 9999	50 h		2403773
				500 h	2403775
				1000 h	2403777
W 210 Fi	2320	1 - 9999	50 h		2642782
				1000 h	2642784
				500 h	2642783
W 210 XP	2420	1 - 999		1000 h	2215626
				500 h	2592183
			50 h		2592173
				250 h	2282574
W 215	1920	1 - 9999	50 h		2142161
				1000 h	2591801
				500 h	2142163
W 2200	0821	1 - 499	50 h		2103187
				250 h	2103189
				500 h	2103191



MAINTENANCE PACKAGES					
Series code	Serial code	Series range	First service	Replacement interval	Part no.
W 2200	0821	1 - 499		1000 h	2103194
		500 - 9999	50 h		2110176
				250 h	2110177
				500 h	2110178
				1000 h	2110179
W 220	0522	1 - 9999	50 h		2215623
				500 h	2215625
				1000 h	2215626
				250 h	2282574
W 220i	0722	1 - 9999		1000 h	2545994
			50 h		2535018
				500 h	2545993
W 250	0422	1 - 9999	50 h		2173466
				500 h	2173467
				1000 h	2173468
W 250i	0622	1 - 999	50 h		2275506
				500 h	2275507
				1000 h	2275508
		1001 - 9999		500 h	2466715
				1000 h	2466716
			50 h		2466714
WR 2000	03WR	1 - 327		1000 h	2173660
				250 h	2173658
				500 h	2173659
			50 h		2173657
		328 - 9999	50 h		2183837

# MAINTENANCE PARTS

MAINTENANCE PACKAGES					
Series code	Serial code	Series range	First service	Replacement interval	Part no.
WR 2000	03WR	328 - 9999		1000 h	2183840
				500 h	2183839
				250 h	2173658
WR 200	06WR	1 - 9999	50 h		2183837
				250 h	2173658
				1000 h	2331710
				500 h	2183839
WR 200i	09WR	1 - 9999	50 h		2331640
				1000 h	2331643
				500 h	2331642
WR 200 XLi	09WR	1 - 9999		500 h	2331642
			50 h		2331640
				1000 h	2331643
WR 2400	05WR	1 - 211	50 h		2173661
				250 h	2173662
				500 h	2173663
				1000 h	2173665
		212 - 9999		1000 h	2183844
				500 h	2183843
			50 h		2183841
		250 h	2173662		
WR 240	07WR	1 - 9999		1000 h	2223470
			50 h		2223472
				500 h	2223471
WR 240i	10WR	1 - 83		500 h	2262357
				1000 h	2262354



MAINTENANCE PACKAGES					
Series code	Serial code	Series range	First service	Replacement interval	Part no.
WR 240i	10WR	1 - 888	50 h		2262358
		84 - 888		1000 h	2409536
				500 h	2409537
		1001 - 9999		500 h	2444496
			50 h		2444497
				1000 h	2431648
WR 2500 S	04WR	1 - 350		1000 h	2173676
				500 h	2173675
				250 h	2173673
			50 h		2173672
		351 - 9999	50 h		2173677
				500 h	2173678
				1000 h	2173681
				250 h	2252057
WR 250	08WR	1 - 9999		500 h	2262421
			50 h		2262420
				250 h	2282574
				1000 h	2262422
WR 250i	11WR	1 - 9999	50 h		2500480
				1000 h	2500484
				500 h	2500482
				250 h	2500481
W 240 CR	03CR	1 - 9999	50 h		2712795
				250 h	2712796
				500 h	2712797
				1000 h	2712798

# MAINTENANCE PARTS

MAINTENANCE PACKAGES					
Series code	Serial code	Series range	First service	Replacement interval	Part no.
W 240 CRi	04CR	1 - 9999	50 h		2570002
				1000 h	2570005
				500 h	2570004
				250 h	2570003
W 380 CR	03CR	1 - 9999	50 h		2712795
				250 h	2712796
				500 h	2712797
				1000 h	2712798
W 380 CRi	04CR	1 - 9999		250 h	2570003
			50 h		2570002
				1000 h	2570005
				500 h	2570004
SP 15	12SP	1 - 9999	50 h		2357452
				500 h	2357454
				1000 h	2357458
SP 25	13SP	1 - 9999		500 h	2357461
			50 h		2357459
				1000 h	2357462
SP 25i	15SP	1 - 9999	50 h		2355491
				500 h	2355492
				1000 h	2355493



## LUBRICANTS

Filling or lubricating your machine with a lubricant which is specifically matched to your application is critical for the service life of the operational parts in combustion engines, hydraulic components, gear units and bearings.

WIRTGEN GROUP lubricants meet these requirements perfectly and are optimised for your WIRTGEN GROUP machine.

The best choice for ensuring the effectiveness of your machine and reducing maintenance costs long-term!



> Read more online  
for WIRTGEN



> Read more online  
for VÖGELE



> Read more online  
for HAMM



> Read more online  
for KLEEMANN

GEAR OILS			
Part	Properties	Container	Part no.
Gear oil 85W-90	Mineral oil-based axle gear oil for WIRTGEN drive systems.  Do not use for WIRTGEN milling drum gearboxes (except 2500 SM, 4200 SM), HAMM vibratory bearings and drum drives or VÖGELE pump splitter gearboxes and drive systems.	5 l	2065030
		20 l	2065031
		208 l	2065032
High-performance gear oil PGLP 150	Exclusive fully synthetic gear oil tailored to high-performance use in WIRTGEN milling drum gearboxes. The high wettability of the lubricant ensures that the oil adheres well to gears and thus offers excellent wear protection. Do not use for HAMM vibratory bearings and drum drives.	5 l	2173019
		20 l	199752
		208 l	2120829
High-performance gear oil PGLP 220	Exclusive fully synthetic gear oil designed for high-performance use in WIRTGEN milling drum gearboxes as well as KLEEMANN conveyor and bevel gearboxes. The high wettability of the lubricant ensures that the oil adheres well to gears and thus offers excellent wear protection.  Do not use for HAMM vibratory bearings and drum drives.	5 l	2170074
		20 l	2065033
		208 l	2065034
High-performance gear oil PGLP 460	Exclusive fully synthetic gear oil tailored to high-performance use in WIRTGEN hot recyclers and in S-Pack binding agent metering units. The high wettability of the lubricant ensures that the oil adheres well to gears and thus offers excellent wear protection. Do not use for HAMM vibratory bearings and drum drives.	5 l	2461524
		20 l	2120830
Multi gear oil VG 150	Mineral oil-based industrial gear oil for KLEEMANN cone crushers. The EP (extreme pressure) additives provide exceptional wear protection. Recommended for use in KLEEMANN MCO 9 EVO and MCO 11 PRO cone crushers.	20 l	2483280
		208 l	2483281

# MAINTENANCE PARTS

GEAR OILS			
Part	Properties	Container	Part no.
Special gear oil	Special fully synthetic multigrade gear oil for VÖGELE pump splitter gearboxes and drive systems, HAMM vibratory bearings as well as KLEEMANN travel drives.  It has excellent cold-start behaviour and offers exceptional wear protection (for example in bearings, gear wheels) and is therefore particularly suitable for demanding applications.	5 l	1238051
		20 l	2065037
		208 l	2065038
Special gear oil for roller drum drives	Special fully synthetic multigrade gear oil for HAMM roller drum drives.  It has excellent cold-start behaviour and offers exceptional wear protection (for example in bearings, gear wheels) and is therefore particularly suitable for demanding applications.	5 l	2571293
		20 l	2571294
		208 l	2571300

HYDRAULIC OILS			
Part	Properties	Container	Part no.
Clutch fluid HLP 32	Hydraulic oil for use in KLEEMANN clutches Suitable for low temperatures (subpolar zone).	5 l	2268030
		20 l	2268032
Hydraulic Oil HVLP 46	Multigrade hydraulic oil  Suitable for moderate temperatures.	20 l	2065028
		208 l	2065029
		1000 l IBC	2118571
Hydraulic oil HVLP 68	Multigrade hydraulic oil suitable for high temperatures (subtropics, tropics).	20 l	2118574
		208 l	2570591

COOLANTS			
Part	Properties	Container	Part no.
Antifreezing Compound WG30	Coolants for protection against corrosion, overheating and frost (not suitable for use in 09WR (WR 200i) or KLEEMANN machines).	5 l	2173022
		20 l	2173023
		208 l	2173024
Antifreezing Compound WG40	Coolants to protect against corrosion, overheating and frost for Mercedes Benz diesel engines installed in 09WR (WR 200i).	20 l	2555507
Antifreezing Compound WG48	Coolant for KLEEMANN machines to protect against corrosion, overheating and frost.	20 l	2535933





ENGINE OILS			
Part	Properties	Container	Part no.
Engine oil low SAPS 10W-30	Semi-synthetic 'Low SAPS' engine oil (low sulphated ash, sulphur and phosphorus content) with Fuel Economy technology. Its low sulphated ash content ensures that burnt oil components do not prematurely clog the exhaust aftertreatment system's particulate filters (DPF).	5 l	2210320
		20 l	2210322
		208 l	2210323
		1000 l IBC	2118570
Engine oil low SAPS 10W-40	Synthetic low-viscosity engine oil with a comprehensive performance spectrum  Fuel savings of up to 1% compared to a 15W-40 are possible.  For use in markets in which low-sulphur fuel is used (e.g. Europe).  Suitable for engines with exhaust gas aftertreatment (EU Stage 3b/ US EPA Tier 4i exhaust emission standard and above).	5 l	2346869
		20 l	2346870
		208 l	2346871
Engine oil low SAPS 15W-40	Mineral oil-based engine oil with higher quality base oil  Meets the viscosity requirements of all WIRTGEN GROUP machines with Cummins engines.  For use in markets in which low-sulphur fuel is used (e.g. Europe).  Suitable for engines with exhaust gas aftertreatment (EU Stage 3b/ US EPA Tier 4i exhaust emission standard and above).	5 l	2573349
		20 l	2573350
		208 l	2573351
		1000 l IBC	2637453
Engine oil 10W-40	Synthetic low-viscosity engine oil for the longest oil change intervals  For use in markets in which fuel with a higher sulphur content is used (e.g. India, China, Africa, South America).  Suitable for engines without exhaust aftertreatment (up to and including EU Stage 3a/US EPA Tier 3 exhaust emission standards).	5 l	2112355
		20 l	2112354
		208 l	2219171
		1000 l IBC	2118569
Engine oil 15W-40	Mineral oil-based multigrade engine oil  For use in markets where fuel with a higher sulphur content is used (for example India, China, Africa, South America).  Suitable for engines without exhaust aftertreatment (up to and including EU Stage 3a/US EPA Tier 3 exhaust emission standards).	5 l	2065020
		20 l	2065025
		208 l	2065026
		1000 l IBC	2118572

# MAINTENANCE PARTS

GREASE			
Part	Properties	Container	Part no.
Cone Moly grease	High viscosity lithium complex grease for lubricating KLEEMANN cone crushers. Molybdenum disulphide (MoS <sub>2</sub> ) grease. For heavy-duty, slow-turning bearings and bolts. Not suitable for ball bearings and polished surfaces. Operating temperature from -20 °C to +150 °C.	400 g	2342967
Drive bearing grease	Special high-performance grease for use in HAMM bearings. Extremely pressure- and water-resistant.	1 kg	1227114
Drum bearing grease	Exclusive grease for the lubrication of HAMM drum bearings. Extremely temperature- and pressure-resistant.	1 kg	1205757
Friction and roller bearing grease	High-performance polyurea grease with extreme pressure resistance and excellent wear protection. For the lubrication of VÖGELE roller bearings and sliding bearings that are subject to high thermal loads as well as BENNINGHOVEN applications. Wide operating temperature range from -25 °C to +180 °C (multigrade grease).	18 kg	2027868
High-performance grease	Mineral oil-based lithium complex grease with excellent wear protection. For use on couplings and WIRTGEN remixer, for example. Wide operating temperature range from -20 °C to +150 °C (multigrade grease).	400 g	47259
KLEEMANN high-performance grease	Grease for KLEEMANN screen bearings.	380 g	M10021195
Multipurpose Moly grease	Mineral oil-based grease for lubricating high-load or shock-loaded bearings in damp, unfavourable conditions. Suitable for lubrication points with mixed friction, rough surfaces and as assembly grease (for example joint pins, wheel bearings). Not suitable for ball bearings and polished surfaces.  Operating temperature from -25 °C to +120 °C.	400 g	2065035

OTHER LUBRICANTS			
Part	Properties	Container	Part no.
AdBlue®/DEF	32.5% high-purity urea solution according to DIN 70070 / ISO 22241.  AdBlue® is a registered trademark of the Association of the Automotive Industry (Verband der Automobilindustrie e. V.; VDA)	10 l	2434706
		210 l	2090870
Asphalt anti-stick	The perfect solution for pneumatic tyre and combination rollers from HAMM – prevents bitumen sticking to the rubber tyres. The emulsion is based on a non-toxic solution and is therefore quickly biodegradable.	5 l	2559307
		20 l	2559309
Silicone transformer liquid	DOW transformer oil can be used for the magnetic separator on KLEEMANN machines.	20 l	2346389



BIOLOGICAL HYDRAULIC OIL			
Part	Properties	Container	Part no.
Bio Hydraulic Oil HVLP 46	Biodegradable multigrade hydraulic oil	20 l	2118575
	Suitable for moderate temperatures.	208 l	2270558

Original WIRTGEN

# MILLING DRUM ACCESSORIES



Perfectly compatible components are crucial to ensure that the cutting process runs smoothly.

Genuine WIRTGEN toolholders are designed for a long service life and low maintenance

requirements.

Our ejectors ensure that the material is smoothly and efficiently discharged from the milling drum housing.



> Read more online

## EJECTORS

Genuine WIRTGEN ejectors are perfectly compatible with all components involved in the milling process and ensure that material is efficiently discharged from the milling drum housing.

In addition to our type 1 ejectors, the premium type 2 ejectors feature an enhanced conveyor unit for less wear on the milling drum tube and the cutting components.



EJECTORS							
Part	Ejector type	Version	Width	For ejector width	Packaging unit	Requirement	Part no.
Ejectors	Type 2		250 mm				2140635
	Type 2		150 mm				2140636



EJECTORS							
Part	Ejector type	Version	Width	For ejector width	Packaging unit	Requirement	Part no.
Ejector holder	Type 2			150 mm; 200 mm; 250 mm			2140637
Ejectors	Type 2		200 mm				2617612
Mounting nut	Type 2	self-locking			1 pc.		30392
	Type 1						36105
Ejector holder	Type 1			250 mm			37972
Ejectors	Type 1		250 mm				44097
	Type 1		150 mm				45220
Fastening screw	Type 2				1 pc.		4620
	Type 1				1 pc.		4633
Lock washer	Type 1					1 piece per bolt connection	5160
Ejector holder	Type 1			150 mm			52320

## TOOLHOLDER

A high degree of operational reliability and extremely wear-resistant cutting tools play a critical role in precise and productive milling operations. The robust WIRTGEN toolholder systems are fitted with cutting tools that can be replaced quickly and easily right on the construction site.



TOOLHOLDER							
Part	Toolholder system	Type	Version	Diameter	Size	Packaging unit	Part no.
Dummy upper part	HT3						101472
Round-shank pick holder	HT5		Welded toolholders	22 mm			124218
Plug	HT3						126110

## MILLING DRUM ACCESSORIES

TOOLHOLDER							
Part	Toolholder system	Type	Version	Diameter	Size	Packaging unit	Part no.
Round-shank pick holder	HT9		Welded toolholders	25 mm			137503
Retaining bolt	HT22; HT11				M30x2		158501
Bottom part seal	HT11					1 pc.	158509
Edge protector	Welded toolholders		Set of three welded toolholders	22 mm			162459
Round-shank pick holder	HT11			20 mm			187002
Bottom part seal	HT11					100 pc.	187005
Round-shank pick holder	HT5	PLUS	Welded toolholders	20 mm			194362
Dummy upper part	HT11						194755
Round-shank pick holder	HT3			20 mm			198000
	HT3			22 mm			198001
	HT11			22 mm			199001
	HT11			25 mm			199002
	HT02		Welded toolholders	22 mm			2046579
	HT13		Welded toolholders	25 mm			2068238
Plug	HT22; HT11					100 pc.	2197988
Bottom part seal	HT22					100 pc.	2197989
Plug	HT22; HT11					1 pc.	2197999
Dummy upper part	HT22						2198005
Bottom part seal	HT22					1 pc.	2198006
Round-shank pick holder	HT08		Welded toolholders	20 mm			2321470
	HT22	PLUS		20 mm			2682808
	HT01		Welded toolholders	20 mm			36780
	HT2			20 mm			49765
	HT03		Welded toolholders	20 mm			5243
	HT02		Welded toolholders	20 mm			5244



TOOLHOLDER							
Part	Toolholder system	Type	Version	Diameter	Size	Packaging unit	Part no.
Retaining bolt	HT2				M20 x 2.5		56290
Round-shank pick holder	HT04		Welded toolholders	13 mm			57629
Edge protector			Set of three welded toolholders	20 mm			69902
Round-shank pick holder	HT4		Welded toolholders	13 mm			72258
	HT5		Welded toolholders	20 mm			74745
	HT2-170			20 mm			74801
Retaining bolt	HT3				M24x2		79998
Correcting Round-shank pick holder	HT2			20 mm			82755
Dummy upper part	HT2						89888
Round-shank pick holder	HT2-170			22 mm			97180
	HT22	PLUS HD		20 mm			2958316
	HT22	PLUS HD		22 mm			2958450

Original WIRTGEN

# MILLING DRUM HOUSINGS



The WIRTGEN milling drum housing contains the heart of your machines: the milling drum fitted with cutting tools.

In addition to the wear protection segments to protect the side plates, genuine WIRTGEN tungsten carbide scrapers on the rear rotor plate ensure that as little milled material as possible

remains on the milled surface when the material is transported away via the conveyor unit system. This results in less cleaning work and a levelled milled surface. Thanks to perfectly harmonised components, milling drum housings from WIRTGEN offer maximum reliability and minimum machine downtimes in day-to-day operations on the construction site.



> Read more online

## SCRAPER

Original WIRTGEN scrapers not only seal the milling chamber so that the milled material can be conveyed away cleanly, but also smooth the milled surface.

Type 1 scrapers are optimised to slide as smoothly as possible over the milled surface when scraping. In contrast, the modified shape, profile and position of the carbide in the type 2 version leads to a stronger scraping effect.



SCRAPER							
Series code	Serial code	Series range	Part	Scraper type	Milling width	Milling drum type	Part no.
W 500	0605	1 - 9999	Service package for scrapers	Type 1	500 mm		194396
W 50	0805, 1005	1 - 9999	Service package for scrapers	Type 1	500 mm		194390





SCRAPER							
Series code	Serial code	Series range	Part	Scraper type	Milling width	Milling drum type	Part no.
W 50 DC	0905	1 - 9999	Service package for scrapers	Type 1	500 mm		194390
W 50 DCi	1205	1 - 9999	Service package for scrapers	Type 1	500 mm		194390
W 50 R	1405	1 - 9999	Service package for scrapers	Type 1	600 mm		2465575
				Type 1	500 mm		2465572
W 50 Ri	1505	1 - 9999	Service package for scrapers	Type 1	500 mm		2465572
				Type 1	600 mm		2465575
W 50 H	1305	1 - 9999	Service package for scrapers	Type 1	500 mm		2590268
W 55 H	1305	1 - 9999	Service package for scrapers	Type 1	500 mm		2590268
W 60 R	1405	1 - 9999	Service package for scrapers	Type 1	600 mm		2465575
				Type 1	500 mm		2465572
W 60 Ri	1505	1 - 9999	Service package for scrapers	Type 1	500 mm		2465572
				Type 1	600 mm		2465575
W 100	0910	1 - 9999	Service package for scrapers	Type 1	1000 mm		2215148
W 100i	1210	1 - 9999	Service package for scrapers	Type 1	1000 mm		2215148
W 100	1010	1 - 9999	Service package for scrapers	Type 1	1000 mm		2215148
W 100 H	1910	1 - 9999	Service package for scrapers	Type 1	1000 mm		2590292
				Type 1	1300 mm		2590294
W 100	1110	1 - 9999	Service package for scrapers	Type 1	1000 mm		2215148
W 100 R	1510	1 - 9999	Service package for scrapers	Type 1	1200 mm		2532424
				Type 1	600 mm		2465575
				Type 1	1000 mm		2215148
W 100 Ri	1610	1 - 9999	Service package for scrapers	Type 1	1200 mm		2532424
				Type 1	1000 mm		2215148
				Type 1	600 mm		2465575
W 100 H	1410	1 - 9999	Service package for scrapers	Type 1	1300 mm		2590294
				Type 1	1000 mm		2590292

## MILLING DRUM HOUSINGS

SCRAPER							
Series code	Serial code	Series range	Part	Scraper type	Milling width	Milling drum type	Part no.
W 120 R	1510	1 - 9999	Service package for scrapers	Type 1	600 mm		2465575
				Type 1	1000 mm		2215148
				Type 1	1200 mm		2532424
W 120 Ri	1610	1 - 9999	Service package for scrapers	Type 1	1200 mm		2532424
				Type 1	600 mm		2465575
				Type 1	1000 mm		2215148
W 130 H	1410, 1910	1 - 9999	Service package for scrapers	Type 1	1000 mm		2590292
				Type 1	1300 mm		2590294
W 1000 F	0710	389 - 9999	Service package for scrapers	Type 2	1320 mm		194407
				Type 2	1200 mm		194414
				Type 2	1000 mm		194426
W 100 F	0810	1 - 9999	Service package for scrapers	Type 2	1200 mm		194414
				Type 2	1300 mm		194407
				Type 2	1000 mm		194426
W 100 Fi	1310	1 - 9999	Service package for scrapers	Type 2	1000 mm		194426
				Type 2	1200 mm		194414
				Type 2	1300 mm		194407
W 100 CF	1710	1 - 9999	Service package for scrapers	Type 2	1000 mm		194426
				Type 2	1200 mm		194414
				Type 2	1300 mm		194407
W 100 CFi	1810	1 - 9999	Service package for scrapers	Type 2	1300 mm		194407
				Type 2	1200 mm		194414
				Type 2	1000 mm		194426
W 1200 F	0710	389 - 9999	Service package for scrapers	Type 2	1320 mm		194407
				Type 2	1000 mm		194426
				Type 2	1200 mm		194414



SCRAPER							
Series code	Serial code	Series range	Part	Scraper type	Milling width	Milling drum type	Part no.
W 120 F	0810	1 - 9999	Service package for scrapers	Type 2	1300 mm		194407
				Type 2	1000 mm		194426
				Type 2	1200 mm		194414
W 120 Fi	1310	1 - 9999	Service package for scrapers	Type 2	1300 mm		194407
				Type 2	1000 mm		194426
				Type 2	1200 mm		194414
W 120 CF	1710	1 - 9999	Service package for scrapers	Type 2	1300 mm		194407
				Type 2	1000 mm		194426
				Type 2	1200 mm		194414
W 120 CFi	1810	1 - 9999	Service package for scrapers	Type 2	1300 mm		194407
				Type 2	1000 mm		194426
				Type 2	1200 mm		194414
W 1300 F	0710	389 - 9999	Service package for scrapers	Type 2	1320 mm		194407
				Type 2	1000 mm		194426
				Type 2	1200 mm		194414
W 130 F	0810	1 - 9999	Service package for scrapers	Type 2	1300 mm		194407
				Type 2	1000 mm		194426
				Type 2	1200 mm		194414
W 130 Fi	1310	1 - 9999	Service package for scrapers	Type 2	1300 mm		194407
				Type 2	1000 mm		194426
				Type 2	1200 mm		194414
W 130 CF	1710	1 - 9999	Service package for scrapers	Type 2	1300 mm		194407
				Type 2	1000 mm		194426
				Type 2	1200 mm		194414
W 130 CFi	1810	1 - 9999	Service package for scrapers	Type 2	1300 mm		194407
				Type 2	1000 mm		194426

## MILLING DRUM HOUSINGS

SCRAPER							
Series code	Serial code	Series range	Part	Scraper type	Milling width	Milling drum type	Part no.
W 130 CFi	1810	1 - 9999	Service package for scrapers	Type 2	1200 mm		194414
W 1500	0820	1 - 9999	Service package for scrapers	Type 2	1500 mm		194408
				Type 2	1300 mm		194407
W 150	0513	1 - 9999	Service package for scrapers	Type 1	1500 mm		2116636
				Type 1	1200 mm		2116633
W 150i	0613	1 - 9999	Service package for scrapers	Type 1	1500 mm		2116636
				Type 1	1200 mm		2116633
W 150 CF	0713	1 - 9999	Service package for scrapers	Type 1	1500 mm		2116636
W 150 CFi	0813	1 - 9999	Service package for scrapers	Type 1	1500 mm		2116636
W 1900	0820, 0920, 1020	1 - 9999	Service package for scrapers	Type 2	2200 mm		2138933
				Type 2	2000 mm		194410
W 195	1820	1 - 9999	Service package for scrapers	Type 1	2200 mm		2172942
				Type 1	2000 mm		2172937
W 2000	0620, 1120	1 - 9999	Service package for scrapers	Type 2	2200 mm		2138933
				Type 2	2000 mm		194410
W 200	1220	1 - 9999	Service package for scrapers	Type 1	2200 mm		2172942
				Type 1	2000 mm		2172937
W 200i	1420	1 - 9999	Service package for scrapers	Type 1	2200 mm		2172942
				Type 1	2000 mm		2172937
W 200 H	1620	1 - 9999	Service package for scrapers	Type 1	2100 mm		2465591
W 200 Hi	1720	1 - 9999	Service package for scrapers	Type 1	2100 mm		2465591
W 205	2520	1 - 9999	Service package for scrapers	Type 1	2000 mm		2172937
				Type 1	2200 mm		2172942
W 2100	0921	1 - 9999	Service package for scrapers	Type 2	2200 mm		194409
				Type 2	2100 mm		194411
				Type 2	2000 mm		194410



SCRAPER							
Series code	Serial code	Series range	Part	Scraper type	Milling width	Milling drum type	Part no.
W 210	1320	1 - 9999	Service package for scrapers	Type 1	2200 mm		2172942
				Type 1	2000 mm		2172937
W 210i	1520	1 - 9999	Service package for scrapers	Type 1	2200 mm		2172942
				Type 1	2000 mm		2172937
W 210 XP	2420	1 - 9999	Service package for scrapers	Type 1	2200 mm		2172942
				Type 1	2000 mm		2172937
W 215	1920	1 - 9999	Service package for scrapers	Type 1	2200 mm		2172942
				Type 1	2000 mm		2172937
W 2200	0821	1 - 9999	Service package for scrapers	Type 2	2200 mm		194409
W 220	0522	1 - 9999	Service package for scrapers	Type 1	2200 mm		2172942
				Type 1	2500 mm	FCS	2650774
				Type 1	2200 mm	FCS	2650760
W 220i	0722	1 - 9999	Service package for scrapers	Type 1	2200 mm		2172942
				Type 1	2500 mm	FCS	2650774
				Type 1	2200 mm	FCS	2650760
W 250	0422	1 - 9999	Service package for scrapers	Type 1	2500 mm	FCS	2650774
				Type 1	2200 mm	FCS	2650760
W 250i	0622	1 - 9999	Service package for scrapers	Type 1	2500 mm	FCS	2650774
				Type 1	2200 mm	FCS	2650760

# MILLING DRUM HOUSINGS

## WEAR PROTECTION SEGMENTS

WIRTGEN wear protection segments are made of particularly wear-resistant material. They not only protect the milling drum housing from normal wear and tear, but are also easy to replace.



WEAR PROTECTION SEGMENTS							
Series code	Serial code	Part	Version	Length	Width	Details	Part no.
W 50 R	1405	Material depressor				<b>Requirement   Milling width</b> 4 pc.   500 mm; 4 pc.   600 mm	2281665
		Side plate	welded			<b>Position   Milling width</b> left   500 mm; left   600 mm	2139616
W 50 Ri	1505	Material depressor				<b>Requirement   Milling width</b> 4 pc.   500 mm; 4 pc.   600 mm	2281665
		Side plate	welded			<b>Position   Milling width</b> left   500 mm; left   600 mm	2139616
W 60 R	1405	Side plate	welded			<b>Position   Milling width</b> left   500 mm; left   600 mm	2139616
W 60 Ri	1505	Side plate	welded			<b>Position   Milling width</b> left   500 mm; left   600 mm	2139616
W 100 CF	1710	Material depressor		50 mm	490 mm	<b>Requirement   Milling width</b> 2 pc.   1000 mm; 2 pc.   1200 mm; 2 pc.   1300 mm	157828
		Side plate	welded			<b>Position   Milling width</b> left   1200 mm; left   1300 mm	2465628
			welded			<b>Position   Milling width</b> right   1000 mm; right   1200 mm; right   1300 mm	2465621
			welded			<b>Position   Milling width</b> left   1000 mm	2465624
W 100 CFi	1810	Material depressor		50 mm	490 mm	<b>Requirement   Milling width</b> 2 pc.   1000 mm; 2 pc.   1200 mm; 2 pc.   1300 mm	157828



WEAR PROTECTION SEGMENTS							
Series code	Serial code	Part	Version	Length	Width	Details	Part no.
W 100 CFi	1810	Side plate	welded			<b>Position   Milling width</b> right   1000 mm; right   1200 mm; right   1300 mm	2465621
			welded			<b>Position   Milling width</b> left   1000 mm	2465624
			welded			<b>Position   Milling width</b> left   1200 mm; left   1300 mm	2465628
W 120 CF	1710	Material depressor		50 mm	490 mm	<b>Requirement   Milling width</b> 2 pc.   1000 mm; 2 pc.   1200 mm; 2 pc.   1300 mm	157828
		Side plate	welded			<b>Position   Milling width</b> right   1000 mm; right   1200 mm; right   1300 mm	2465621
			welded			<b>Position   Milling width</b> left   1000 mm	2465624
			welded			<b>Position   Milling width</b> left   1200 mm; left   1300 mm	2465628
W 120 CFi	1810	Material depressor		50 mm	490 mm	<b>Requirement   Milling width</b> 2 pc.   1000 mm; 2 pc.   1200 mm; 2 pc.   1300 mm	157828
		Side plate	welded			<b>Position   Milling width</b> right   1000 mm; right   1200 mm; right   1300 mm	2465621
			welded			<b>Position   Milling width</b> left   1000 mm	2465624
			welded			<b>Position   Milling width</b> left   1200 mm; left   1300 mm	2465628
W 130 CF	1710	Material depressor		50 mm	490 mm	<b>Requirement   Milling width</b> 2 pc.   1000 mm; 2 pc.   1200 mm; 2 pc.   1300 mm	157828
		Side plate	welded			<b>Position   Milling width</b> left   1000 mm	2465624
			welded			<b>Position   Milling width</b> right   1000 mm; right   1200 mm; right   1300 mm	2465621
			welded			<b>Position   Milling width</b> left   1200 mm; left   1300 mm	2465628

## MILLING DRUM HOUSINGS

WEAR PROTECTION SEGMENTS							
Series code	Serial code	Part	Version	Length	Width	Details	Part no.
W 130 CFi	1810	Material depressor		50 mm	490 mm	<b>Requirement   Milling width</b> 2 pc.   1000 mm; 2 pc.   1200 mm; 2 pc.   1300 mm	157828
		Side plate	welded			<b>Position   Milling width</b> left   1000 mm	2465624
			welded			<b>Position   Milling width</b> left   1200 mm; left   1300 mm	2465628
			welded			<b>Position   Milling width</b> right   1000 mm; right   1200 mm; right   1300 mm	2465621
W 1500	0820	Material depressor		50 mm	490 mm	<b>Requirement   Position</b> 1 pc.   front left	157828
		Side plate		40 mm	180 mm	<b>Requirement   Position</b> 1 pc.   rear left; 1 pc.   rear right	2069177
				50 mm	625 mm	<b>Requirement   Position</b> 1 pc.   front right	155630
W 150	0513	Material depressor		40 mm	170 mm	<b>Requirement   Milling width</b> 2 pc.   1200 mm; 2 pc.   1500 mm	2129390
				50 mm	490 mm	<b>Requirement   Position   Milling width</b> 1 pc.   front left   1200 mm; 1 pc.   front right   1200 mm; 1 pc.   front right   1500 mm	157828
		Side plate		50 mm	450 mm	<b>Requirement   Position   Milling width</b> 2 pc.   rear right   1200 mm; 2 pc.   rear right   1500 mm	2106074
				50 mm	625 mm	<b>Requirement   Position   Milling width</b> 1 pc.   front left   1500 mm	155630
				50 mm	350 mm	<b>Requirement   Position   Milling width</b> 1 pc.   rear left   1200 mm; 1 pc.   rear left   1500 mm	2120385
W 150i	0613	Material depressor		40 mm	170 mm	<b>Requirement   Milling width</b> 2 pc.   1200 mm; 2 pc.   1500 mm	2129390
				50 mm	490 mm	<b>Requirement   Position   Milling width</b> 1 pc.   front left   1200 mm; 1 pc.   front right   1200 mm; 1 pc.   front right   1500 mm	157828





WEAR PROTECTION SEGMENTS							
Series code	Serial code	Part	Version	Length	Width	Details	Part no.
W 150i	0613	Side plate		50 mm	350 mm	<b>Requirement   Position   Milling width</b> 1 pc.   rear left   1200 mm; 1 pc.   rear left   1500 mm	2120385
				50 mm	625 mm	<b>Requirement   Position   Milling width</b> 1 pc.   front left   1500 mm	155630
				50 mm	450 mm	<b>Requirement   Position   Milling width</b> 2 pc.   rear right   1200 mm; 2 pc.   rear right   1500 mm	2106074
W 150 CF	0713	Material depressor		50 mm	490 mm	<b>Requirement   Position</b> 1 pc.   front left	157828
				40 mm	170 mm	<b>Requirement   Milling width</b> 2 pc.   1200 mm; 2 pc.   1500 mm; 2 pc.   1800 mm	2129390
		Side plate		50 mm	280 mm	<b>Requirement   Position</b> 1 pc.   rear right	2431013
				50 mm	450 mm	<b>Requirement   Position</b> 2 pc.   rear right	2106074
				50 mm	625 mm	<b>Requirement   Position</b> 1 pc.   front right	155630
				50 mm	1160 mm	<b>Requirement   Position</b> 1 pc.   rear left	2431428
W 150 CFi	0813	Material depressor		50 mm	490 mm	<b>Requirement   Position</b> 1 pc.   front left	157828
				40 mm	170 mm	<b>Requirement   Milling width</b> 2 pc.   1200 mm; 2 pc.   1500 mm; 2 pc.   1800 mm	2129390
		Side plate		50 mm	450 mm	<b>Requirement   Position</b> 2 pc.   rear right	2106074
				50 mm	625 mm	<b>Requirement   Position</b> 1 pc.   front right	155630
				50 mm	1160 mm	<b>Requirement   Position</b> 1 pc.   rear left	2431428
				50 mm	280 mm	<b>Requirement   Position</b> 1 pc.   rear right	2431013
W 1900	0820	Material depressor		50 mm	490 mm	<b>Requirement   Position</b> 1 pc.   front left	157828
				40 mm	180 mm	<b>Requirement   Position</b> 1 pc.   rear left; 1 pc.   rear right	2069177
		Side plate		50 mm	625 mm	<b>Requirement   Position</b> 1 pc.   front right	155630
	0920, 1020		Side plate		40 mm	180 mm	<b>Requirement   Position</b> 2 pc.   rear left; 2 pc.   rear right

## MILLING DRUM HOUSINGS

WEAR PROTECTION SEGMENTS							
Series code	Serial code	Part	Version	Length	Width	Details	Part no.
W 1900	0920, 1020	Side plate		50 mm	625 mm	<b>Requirement   Position</b> 2 pc.   front left; 2 pc.   front right	155630
W 195	1820	Material de- pressor		40 mm	170 mm	<b>Requirement   Milling width</b> 6 pc.   2000 mm; 6 pc.   2200 mm	2129390
		Side plate		50 mm	200 mm	<b>Requirement   Position   Milling width</b> 1 pc.   rear left   2000 mm; 1 pc.   rear left   2200 mm	2111404
				50 mm	625 mm	<b>Requirement   Position   Milling width</b> 1 pc.   front left   2000 mm; 1 pc.   front left   2200 mm; 1 pc.   front right   2000 mm; 1 pc.   front right   2200 mm	155630
				50 mm	450 mm	<b>Requirement   Position   Milling width</b> 1 pc.   rear left   2000 mm; 1 pc.   rear left   2200 mm; 2 pc.   rear right   2000 mm; 2 pc.   rear right   2200 mm	2106074
W 2000	0620, 1120	Material de- pressor		40 mm	170 mm	<b>Requirement   Milling width</b> 8 pc.   2000 mm; 8 pc.   2200 mm	2129390
		Side plate		50 mm	625 mm	<b>Requirement   Position</b> 2 pc.   front left; 2 pc.   front right	155630
				40 mm	180 mm	<b>Requirement   Position</b> 2 pc.   rear left; 2 pc.   rear right	2069177
W 200	1220	Scraper		40 mm	100 mm	<b>Requirement   Position   Milling width</b> 2 pc.   rear left   1500 mm	56731
		Material de- pressor		40 mm	170 mm	<b>Requirement   Milling width</b> 6 pc.   1500 mm; 6 pc.   2000 mm; 6 pc.   2200 mm	2129390
		Side plate		50 mm	450 mm	<b>Requirement   Position   Milling width</b> 1 pc.   rear left   1500 mm; 1 pc.   rear left   2000 mm; 1 pc.   rear left   2200 mm; 2 pc.   rear right   1500 mm; 2 pc.   rear right   2000 mm; 2 pc.   rear right   2200 mm	2106074



WEAR PROTECTION SEGMENTS							
Series code	Serial code	Part	Version	Length	Width	Details	Part no.
W 200	1220	Side plate		50 mm	625 mm	<b>Requirement   Position   Milling width</b> 1 pc.   front left   1500 mm; 1 pc.   front left   2000 mm; 1 pc.   front left   2200 mm; 1 pc.   front right   1500 mm; 1 pc.   front right   2000 mm; 1 pc.   front right   2200 mm	155630
				50 mm	200 mm	<b>Requirement   Position   Milling width</b> 1 pc.   rear left   2000 mm; 1 pc.   rear left   2200 mm	2111404
W 200i	1420	Scraper		40 mm	100 mm	<b>Requirement   Position   Milling width</b> 2 pc.   rear left   1500 mm	56731
		Material depressor		40 mm	170 mm	<b>Requirement   Milling width</b> 6 pc.   1500 mm; 6 pc.   2000 mm; 6 pc.   2200 mm	2129390
		Side plate		50 mm	450 mm	<b>Requirement   Position   Milling width</b> 1 pc.   rear left   1500 mm; 1 pc.   rear left   2000 mm; 1 pc.   rear left   2200 mm; 2 pc.   rear right   1500 mm; 2 pc.   rear right   2000 mm; 2 pc.   rear right   2200 mm	2106074
				50 mm	625 mm	<b>Requirement   Position   Milling width</b> 1 pc.   front left   1500 mm; 1 pc.   front left   2000 mm; 1 pc.   front left   2200 mm; 1 pc.   front right   1500 mm; 1 pc.   front right   2000 mm; 1 pc.   front right   2200 mm	155630
		50 mm	200 mm	<b>Requirement   Position   Milling width</b> 1 pc.   rear left   2000 mm; 1 pc.   rear left   2200 mm	2111404		
W 200 H	1620	Material depressor		40 mm	170 mm	<b>Requirement   Milling width</b> 4 pc.   2100 mm	2129390
		Side plate		50 mm	200 mm	<b>Requirement   Position</b> 1 pc.   rear left; 1 pc.   rear right	2111404
				50 mm	625 mm	<b>Requirement   Position</b> 1 pc.   front left; 1 pc.   front right	155630
				50 mm	450 mm	<b>Requirement   Position</b> 2 pc.   rear left; 2 pc.   rear right	2106074

## MILLING DRUM HOUSINGS

WEAR PROTECTION SEGMENTS							
Series code	Serial code	Part	Version	Length	Width	Details	Part no.
W 200 Hi	1720	Material de- pressor		40 mm	170 mm	<b>Requirement   Milling width</b> 4 pc.   2100 mm	2129390
		Side plate		50 mm	200 mm	<b>Requirement   Position</b> 1 pc.   rear left; 1 pc.   rear right	2111404
				50 mm	625 mm	<b>Requirement   Position</b> 1 pc.   front left; 1 pc.   front right	155630
				50 mm	450 mm	<b>Requirement   Position</b> 2 pc.   rear left; 2 pc.   rear right	2106074
W 205	2520	Material de- pressor		40 mm	170 mm	<b>Requirement   Milling width</b> 6 pc.   2000 mm; 6 pc.   2200 mm	2129390
		Side plate		50 mm	200 mm	<b>Requirement   Position   Milling width</b> 1 pc.   rear left   2000 mm; 1 pc.   rear left   2200 mm	2111404
				50 mm	625 mm	<b>Requirement   Position   Milling width</b> 1 pc.   front left   2000 mm; 1 pc.   front left   2200 mm; 1 pc.   front right   2000 mm; 1 pc.   front right   2200 mm	155630
				50 mm	450 mm	<b>Requirement   Position   Milling width</b> 1 pc.   rear left   2000 mm; 1 pc.   rear left   2200 mm; 2 pc.   rear right   2000 mm; 2 pc.   rear right   2200 mm	2106074
W 2100	0921	Material de- pressor		40 mm	170 mm	<b>Requirement   Milling width</b> 8 pc.   2200 mm	2129390
		Side plate		50 mm	625 mm	<b>Requirement   Position</b> 2 pc.   front left; 2 pc.   front right	155630
				40 mm	180 mm	<b>Requirement   Position</b> 2 pc.   rear left; 2 pc.   rear right	2069177
W 210	1320	Scraper		40 mm	100 mm	<b>Requirement   Position   Milling width</b> 2 pc.   rear left   1500 mm	56731
		Material de- pressor		40 mm	170 mm	<b>Requirement   Milling width</b> 6 pc.   1500 mm; 6 pc.   2000 mm; 6 pc.   2200 mm	2129390



WEAR PROTECTION SEGMENTS							
Series code	Serial code	Part	Version	Length	Width	Details	Part no.
W 210	1320	Side plate		50 mm	450 mm	<b>Requirement   Position   Milling width</b> 1 pc.   rear left   1500 mm; 1 pc.   rear left   2000 mm; 1 pc.   rear left   2200 mm; 2 pc.   rear right   1500 mm; 2 pc.   rear right   2000 mm; 2 pc.   rear right   2200 mm	2106074
				50 mm	625 mm	<b>Requirement   Position   Milling width</b> 1 pc.   front left   1500 mm; 1 pc.   front left   2000 mm; 1 pc.   front left   2200 mm; 1 pc.   front right   1500 mm; 1 pc.   front right   2000 mm; 1 pc.   front right   2200 mm	155630
				50 mm	200 mm	<b>Requirement   Position   Milling width</b> 1 pc.   rear left   2000 mm; 1 pc.   rear left   2200 mm	2111404
W 210i	1520	Scraper		40 mm	100 mm	<b>Requirement   Position   Milling width</b> 2 pc.   rear left   1500 mm	56731
		Material depressor		40 mm	170 mm	<b>Requirement   Milling width</b> 6 pc.   1500 mm; 6 pc.   2000 mm; 6 pc.   2200 mm	2129390
		Side plate		50 mm	450 mm	<b>Requirement   Position   Milling width</b> 1 pc.   rear left   1500 mm; 1 pc.   rear left   2000 mm; 1 pc.   rear left   2200 mm; 2 pc.   rear right   1500 mm; 2 pc.   rear right   2000 mm; 2 pc.   rear right   2200 mm	2106074
				50 mm	625 mm	<b>Requirement   Position   Milling width</b> 1 pc.   front left   1500 mm; 1 pc.   front left   2000 mm; 1 pc.   front left   2200 mm; 1 pc.   front right   1500 mm; 1 pc.   front right   2000 mm; 1 pc.   front right   2200 mm	155630
				50 mm	200 mm	<b>Requirement   Position   Milling width</b> 1 pc.   rear left   2000 mm; 1 pc.   rear left   2200 mm	2111404
		W 210 XP	2420	Scraper		40 mm	100 mm

## MILLING DRUM HOUSINGS

WEAR PROTECTION SEGMENTS							
Series code	Serial code	Part	Version	Length	Width	Details	Part no.
W 210 XP	2420	Material de-pressor		40 mm	170 mm	<b>Requirement   Milling width</b> 6 pc.   1500 mm; 6 pc.   2000 mm; 6 pc.   2200 mm	2129390
		Side plate		50 mm	450 mm	<b>Requirement   Position   Milling width</b> 1 pc.   rear left   1500 mm; 1 pc.   rear left   2000 mm; 1 pc.   rear left   2200 mm; 2 pc.   rear right   1500 mm; 2 pc.   rear right   2000 mm; 2 pc.   rear right   2200 mm	2106074
				50 mm	625 mm	<b>Requirement   Position   Milling width</b> 1 pc.   front left   1500 mm; 1 pc.   front left   2000 mm; 1 pc.   front left   2200 mm; 1 pc.   front right   1500 mm; 1 pc.   front right   2000 mm; 1 pc.   front right   2200 mm	155630
				50 mm	200 mm	<b>Requirement   Position   Milling width</b> 1 pc.   rear left   2000 mm; 1 pc.   rear left   2200 mm	2111404
W 215	1920	Material de-pressor		40 mm	170 mm	<b>Requirement   Milling width</b> 6 pc.   2000 mm; 6 pc.   2200 mm	2129390
		Side plate		50 mm	200 mm	<b>Requirement   Position   Milling width</b> 1 pc.   rear left   2000 mm; 1 pc.   rear left   2200 mm	2111404
				50 mm	625 mm	<b>Requirement   Position   Milling width</b> 1 pc.   front left   2000 mm; 1 pc.   front left   2200 mm; 1 pc.   front right   2000 mm; 1 pc.   front right   2200 mm	155630
				50 mm	450 mm	<b>Requirement   Position   Milling width</b> 1 pc.   rear left   2000 mm; 1 pc.   rear left   2200 mm; 2 pc.   rear right   2000 mm; 2 pc.   rear right   2200 mm	2106074
W 2200	0821	Material de-pressor		40 mm	170 mm	<b>Requirement   Milling width</b> 8 pc.   2200 mm	2129390
		Side plate		50 mm	625 mm	<b>Requirement   Position</b> 2 pc.   front left; 2 pc.   front right	155630
				40 mm	180 mm	<b>Requirement   Position</b> 2 pc.   rear left; 2 pc.   rear right	2069177



WEAR PROTECTION SEGMENTS							
Series code	Serial code	Part	Version	Length	Width	Details	Part no.
W 2200	0821	Side plate		100 mm	1700 mm	<b>Requirement   Position</b> 2 pc.   front left; 2 pc.   front right	155628
				50 mm	1700 mm	<b>Requirement   Position</b> 2 pc.   front left; 2 pc.   front right	196501
W 220	0522	Material de- pressor		40 mm	170 mm	<b>Requirement   Milling width</b> 6 pc.   2200 mm	2129390
		Side plate		50 mm	200 mm	<b>Requirement   Position</b> 1 pc.   rear left	2111404
				50 mm	625 mm	<b>Requirement   Position</b> 1 pc.   front left; 1 pc.   front right	155630
				50 mm	450 mm	<b>Requirement   Position</b> 1 pc.   rear left; 2 pc.   rear right	2106074
W 220i	0722	Material de- pressor		40 mm	170 mm	<b>Requirement   Milling width</b> 6 pc.   2200 mm	2129390
		Side plate		50 mm	200 mm	<b>Requirement   Position</b> 1 pc.   rear left	2111404
				50 mm	625 mm	<b>Requirement   Position</b> 1 pc.   front left; 1 pc.   front right	155630
				50 mm	450 mm	<b>Requirement   Position</b> 1 pc.   rear left; 2 pc.   rear right	2106074
W 250	0422	Material de- pressor		40 mm	170 mm	<b>Requirement   Milling width</b> 6 pc.   2200 mm	2129390
		Side plate		50 mm	200 mm	<b>Requirement   Position</b> 1 pc.   rear left	2111404
				50 mm	625 mm	<b>Requirement   Position</b> 1 pc.   front left; 1 pc.   front right	155630
				50 mm	450 mm	<b>Requirement   Position</b> 1 pc.   rear left; 2 pc.   rear right	2106074
W 250i	0622	Material de- pressor		40 mm	170 mm	<b>Requirement   Milling width</b> 6 pc.   2200 mm	2129390
		Side plate		50 mm	200 mm	<b>Requirement   Position</b> 1 pc.   rear left	2111404
				50 mm	625 mm	<b>Requirement   Position</b> 1 pc.   front left; 1 pc.   front right	155630

Original WIRTGEN

# MILLING DRUM HOUSINGS

WEAR PROTECTION SEGMENTS							
Series code	Serial code	Part	Version	Length	Width	Details	Part no.
W 250i	0622	Side plate		50 mm	450 mm	<b>Requirement   Position</b> 1 pc.   rear left; 2 pc.   rear right	2106074





# MILLING DRUM DRIVE



WIRTGEN is known for its outstanding quality in the field of cutting technology. In addition to the cutting tools, the milling drum is an essential component of this key technology. The number of revolutions, speed and torque of the milling drum are determined by the milling drum drive. The

sophisticated interaction of the various components, such as belt pulleys and power belts, results in the smooth operation of the milling drum and thus creates a flawless milling process - all to the benefit of your milling quality.



> Read more online

## POWER BELTS

WIRTGEN's power belts, which are designed to be perfectly compatible with the belt pulleys and optimised in terms of their coefficients of friction, ensure that even high tensile forces can be transmitted safely.



POWER BELTS						
Series code	Serial code	Series range	Requirement	Milling width	Position	Part no.
W 35 DC	0403	1 - 9999			Power belt	176066
W 35 Ri	0703	1 - 9999			Power belt	176066
W 50	0805, 1005	1 - 9999			Power belt	171089

Original WIRTGEN

# MILLING DRUM DRIVE

POWER BELTS						
Series code	Serial code	Series range	Requirement	Milling width	Position	Part no.
W 50 DC	0905	1 - 9999			Power belt	171088
W 50 DCi	1205	1 - 9999			Power belt	171088
W 50 R	1405	1 - 9999			Power belt	2365560
W 50 Ri	1505	1 - 9999			Power belt	2365560
W 60 R	1405	1 - 9999			Power belt	2365560
W 60 Ri	1505	1 - 9999			Power belt	2365560
W 60	0910	1 - 9999			Power belt	2276826
W 60i	1210	1 - 9999			Power belt	2276826
W 100	0910	1 - 9999			Power belt	2276826
W 100i	1210	1 - 9999			Power belt	2276826
W 100	1010	1 - 9999			Power belt	2276826
W 100 L	1010	1 - 9999			Power belt	2276826
W 100	1110	1 - 9999			Power belt	2276826
W 100 R	1510	1 - 9999			Power belt	2378274
W 100 Ri	1610	1 - 9999			Power belt	2378274
W 120 R	1510	1 - 9999			Power belt	2378274
W 120 Ri	1610	1 - 9999			Power belt	2378274
W 1000 F	0710	1 - 9999			Power belt	92815
W 100 F	0810	1 - 9999			Power belt	194597
W 100 Fi	1310	1 - 9999			Power belt	194597
W 100 CF	1710	1 - 9999			Power belt	194597
W 100 CFi	1810	1 - 9999			Power belt	194597
W 1200 F	0710	1 - 9999			Power belt	92815
W 120 F	0810	1 - 9999			Power belt	194597
W 120 Fi	1310	1 - 9999			Power belt	194597
W 120 CF	1710	1 - 9999			Power belt	194597



POWER BELTS						
Series code	Serial code	Series range	Requirement	Milling width	Position	Part no.
W 120 CFi	1810	1 - 9999			Power belt	194597
W 1300 F	0710	1 - 9999			Power belt	92815
W 130 F	0810	1 - 9999			Power belt	194597
W 130 Fi	1310	1 - 9999			Power belt	194597
W 130 CF	1710	1 - 9999			Power belt	194597
W 130 CFi	1810	1 - 9999			Power belt	194597
W 1500	0820	1 - 253			Power belt	143377
		254 - 9999			Power belt	143377
W 150	0513	1 - 103			Power belt	66894
		104 - 9999			Power belt	66894
W 150i	0613	1 - 9999			Power belt	66894
W 150 CF	0713	1 - 9999			Power belt	2432611
W 150 CFi	0813	1 - 9999			Power belt	2432611
W 1900	0820	1 - 253			Power belt	143377
		254 - 9999			Power belt	143377
	0920	1 - 219			Power belt	143377
		220 - 9999			Power belt	143377
1020	88 - 9999			Power belt	143377	
W 195	1820	1 - 9999			Power belt	2117172
W 2000	0620, 1120	1 - 9999			Power belt	113850
W 200	1220	1 - 9999			Power belt	2117172
W 200i	1420	1 - 9999			Power belt	2117172
W 200 F	2020	1 - 9999			Power belt	2117172
W 200 Fi	2120	1 - 9999			Power belt	2117172
W 205	2520	1 - 9999			Power belt	2117172
W 207 Fi	2120	1 - 9999			Power belt	2117172

## MILLING DRUM DRIVE

POWER BELTS						
Series code	Serial code	Series range	Requirement	Milling width	Position	Part no.
W 2100	0921	1 - 9999			Power belt	138901
W 210	1320	6 - 329			Power belt	2099851
		330 - 9999			Power belt	2202448
W 210i	1520	1 - 9999			Power belt	2202448
W 210 Fi	2320	1 - 9999			Power belt	2637713
W 210 XP	2420	1 - 9999			Power belt	2579890
W 215	1920	1 - 9999			Power belt	2117172
W 2200	0821	1 - 9999	2 pc.	FB3500-4400	Power belt	134734
				FB2200-3100	Power belt	120650
W 220	0522	1 - 3			Power belt	2173436
		4 - 9999			Power belt	2205179
W 220i	0722	1 - 3			Power belt	2173436
		4 - 9999			Power belt	2205179
W 250	0422	1 - 9999		FB3500-4400	Power belt	2181976
				FB2200-3100	Power belt	2165101
				FB3500-4400	Power belt	2181962
W 250i	0622	1 - 9999		FB3500-4400	Power belt	2181976
				FB2200-3100	Power belt	2165101
				FB3500-4400	Power belt	2181962
WS 220	02AS	1 - 9999	2 pc.		Power belt	2106383
WS 250	02AS	1 - 9999	2 pc.		Power belt	2106383
WR 2000	03WR	1 - 9999			Power belt	173713
WR 200	06WR	1 - 9999			Power belt	2301089
WR 200i	09WR	1 - 9999			Power belt	2301089
WR 2400	05WR	1 - 9999			Power belt	189294
WR 240	07WR	1 - 9999			Power belt	2194459



POWER BELTS						
Series code	Serial code	Series range	Requirement	Milling width	Position	Part no.
WR 240i	10WR	1 - 9999			Power belt	2194459
WR 2500 S	04WR	1 - 9999			Power belt	33142
WR 250	08WR	1 - 9999			Power belt	2240153
WR 250i	11WR	1 - 9999			Power belt	2240153
W 240 CR	03CR	1 - 9999			Power belt	2565977
W 240 CRi	04CR	1 - 9999			Power belt	2565977
W 380 CR	03CR	1 - 9999			Power belt	2590523
					Power belt	2590525
W 380 CRi	04CR	1 - 9999			Power belt	2590523
					Power belt	2590525

## BELT PULLEYS

Genuine WIRTGEN belt pulleys are made of high-strength, homogeneous cast materials and are dynamically balanced.



BELT PULLEYS							
Series code	Serial code	Series range	Diameter	Package includes	Position(s)	Milling width	Part no.
W 35 DC	0403	1 - 9999	165 mm		<b>Position</b> Drive motor/clutch		175664
			105 mm		<b>Position</b> Tensioner roller		175666
			200 mm		<b>Position</b> Milling gearbox		175665
W 35 Ri	0703	1 - 9999	165 mm		<b>Position</b> Drive motor/clutch		175664
			105 mm		<b>Position</b> Tensioner roller		175666
			200 mm		<b>Position</b> Milling gearbox		175665

## MILLING DRUM DRIVE

BELT PULLEYS							
Series code	Serial code	Series range	Diameter	Package includes	Position(s)	Milling width	Part no.
W 50	0805, 1005	1 - 9999	215 mm		<b>Position</b> Drive motor/clutch		170161
			155 mm		<b>Position</b> Tensioner roller		173410
			230 mm		<b>Position</b> Milling gearbox		170170
W 50 DC	0905	1 - 9999	215 mm		<b>Position</b> Drive motor/clutch		170161
			155 mm		<b>Position</b> Tensioner roller		173410
			230 mm		<b>Position</b> Milling gearbox		170170
W 50 DCi	1205	1 - 9999	215 mm		<b>Position</b> Drive motor/clutch		170161
			155 mm		<b>Position</b> Tensioner roller		173410
			230 mm		<b>Position</b> Milling gearbox		170170
W 50 R	1405	1 - 9999	135 mm		<b>Position</b> Tensioner roller		2264517
			230 mm		<b>Position</b> Milling gearbox		2286049
			215 mm		<b>Position</b> Drive motor/clutch		2286039
W 50 Ri	1505	1 - 9999	135 mm		<b>Position</b> Tensioner roller		2264517
			230 mm		<b>Position</b> Milling gearbox		2286049
			215 mm		<b>Position</b> Drive motor/clutch		2286039
W 60 R	1405	1 - 9999	135 mm		<b>Position</b> Tensioner roller		2264517
			230 mm		<b>Position</b> Milling gearbox		2286049
			215 mm		<b>Position</b> Drive motor/clutch		2286039
W 60 Ri	1505	1 - 9999	135 mm		<b>Position</b> Tensioner roller		2264517
			230 mm		<b>Position</b> Milling gearbox		2286049
			215 mm		<b>Position</b> Drive motor/clutch		2286039
W 60	0910	1 - 9999	190 mm		<b>Position</b> Tensioner roller		2046453
			280 mm		<b>Position</b> Milling gearbox		97147
			250 mm		<b>Position</b> Drive motor/clutch		97146
W 60i	1210	1 - 9999	190 mm		<b>Position</b> Tensioner roller		2046453
			280 mm		<b>Position</b> Milling gearbox		97147



BELT PULLEYS							
Series code	Serial code	Series range	Diameter	Package includes	Position(s)	Milling width	Part no.
W 60i	1210	1 - 9999	250 mm		<b>Position</b> Drive motor/clutch		97146
W 100	0910	1 - 9999	190 mm		<b>Position</b> Tensioner roller		2046453
			280 mm		<b>Position</b> Milling gearbox		97147
			250 mm		<b>Position</b> Drive motor/clutch		97146
W 100i	1210	1 - 9999	190 mm		<b>Position</b> Tensioner roller		2046453
			280 mm		<b>Position</b> Milling gearbox		97147
			250 mm		<b>Position</b> Drive motor/clutch		97146
W 100	1010	1 - 9999	190 mm		<b>Position</b> Tensioner roller		2046453
			280 mm		<b>Position</b> Milling gearbox		97147
			250 mm		<b>Position</b> Drive motor/clutch		97146
W 100 L	1010	1 - 9999	190 mm		<b>Position</b> Tensioner roller		2046453
			280 mm		<b>Position</b> Milling gearbox		97147
			250 mm		<b>Position</b> Drive motor/clutch		97146
W 100	1110	1 - 9999	190 mm		<b>Position</b> Tensioner roller		2046453
			280 mm		<b>Position</b> Milling gearbox		97147
			250 mm		<b>Position</b> Drive motor/clutch		97146
W 100 R	1510	1 - 9999	135 mm		<b>Position</b> Tensioner roller		2264517
			280 mm		<b>Position</b> Milling gearbox		2378503
			250 mm		<b>Position</b> Drive motor/clutch		2378501
W 100 Ri	1610	1 - 9999	135 mm		<b>Position</b> Tensioner roller		2264517
			280 mm		<b>Position</b> Milling gearbox		2378503
			250 mm		<b>Position</b> Drive motor/clutch		2378501
W 120 R	1510	1 - 9999	135 mm		<b>Position</b> Tensioner roller		2264517
			280 mm		<b>Position</b> Milling gearbox		2378503
			250 mm		<b>Position</b> Drive motor/clutch		2378501
W 120 Ri	1610	1 - 9999	135 mm		<b>Position</b> Tensioner roller		2264517

## MILLING DRUM DRIVE

BELT PULLEYS							
Series code	Serial code	Series range	Diameter	Package includes	Position(s)	Milling width	Part no.
W 120 Ri	1610	1 - 9999	280 mm		<b>Position</b> Milling gearbox		2378503
			250 mm		<b>Position</b> Drive motor/clutch		2378501
W 1000 F	0710	1 - 9999	250 mm		<b>Position</b> Drive motor/clutch		52203
			265 mm	incl. bearings	<b>Position</b> Tensioner roller		97207
			325 mm		<b>Position</b> Milling gearbox		90042
W 100 F	0810	1 - 9999	265 mm		<b>Position</b> Drive motor/clutch; Tensioner roller		191432
			315 mm		<b>Position</b> Milling gearbox		170796
W 100 Fi	1310	1 - 9999	265 mm		<b>Position</b> Drive motor/clutch; Tensioner roller		191432
			315 mm		<b>Position</b> Milling gearbox		170796
W 100 CF	1710	1 - 9999	265 mm		<b>Position</b> Drive motor/clutch; Tensioner roller		191432
			315 mm		<b>Position</b> Milling gearbox		170796
W 100 CFi	1810	1 - 9999	265 mm		<b>Position</b> Drive motor/clutch; Tensioner roller		191432
			315 mm		<b>Position</b> Milling gearbox		170796
W 1200 F	0710	1 - 9999	250 mm		<b>Position</b> Drive motor/clutch		52203
			265 mm	incl. bearings	<b>Position</b> Tensioner roller		97207
			325 mm		<b>Position</b> Milling gearbox		90042
W 120 F	0810	1 - 9999	265 mm		<b>Position</b> Drive motor/clutch; Tensioner roller		191432
			315 mm		<b>Position</b> Milling gearbox		170796
W 120 Fi	1310	1 - 9999	265 mm		<b>Position</b> Drive motor/clutch; Tensioner roller		191432
			315 mm		<b>Position</b> Milling gearbox		170796





BELT PULLEYS							
Series code	Serial code	Series range	Diameter	Package includes	Position(s)	Milling width	Part no.
W 120 CF	1710	1 - 9999	265 mm		<b>Position</b> Drive motor/clutch; Tensioner roller		191432
			315 mm		<b>Position</b> Milling gearbox		170796
W 120 CFi	1810	1 - 9999	265 mm		<b>Position</b> Drive motor/clutch; Tensioner roller		191432
			315 mm		<b>Position</b> Milling gearbox		170796
W 1300 F	0710	1 - 9999	250 mm		<b>Position</b> Drive motor/clutch		52203
			265 mm	incl. bearings	<b>Position</b> Tensioner roller		97207
			325 mm		<b>Position</b> Milling gearbox		90042
W 130 F	0810	1 - 9999	265 mm		<b>Position</b> Drive motor/clutch; Tensioner roller		191432
			315 mm		<b>Position</b> Milling gearbox		170796
W 130 Fi	1310	1 - 9999	265 mm		<b>Position</b> Drive motor/clutch; Tensioner roller		191432
			315 mm		<b>Position</b> Milling gearbox		170796
W 130 CF	1710	1 - 9999	265 mm		<b>Position</b> Drive motor/clutch; Tensioner roller		191432
			315 mm		<b>Position</b> Milling gearbox		170796
W 130 CFi	1810	1 - 9999	265 mm		<b>Position</b> Drive motor/clutch; Tensioner roller		191432
			315 mm		<b>Position</b> Milling gearbox		170796
W 1500	0820	1 - 253	330 mm		<b>Position</b> Drive motor/clutch		142158
			280 mm		<b>Position</b> Milling gearbox		67150
			250 mm		<b>Position</b> Tensioner roller		67151
		254 - 9999	330 mm		<b>Position</b> Drive motor/clutch		142158
			280 mm		<b>Position</b> Milling gearbox		148639

## MILLING DRUM DRIVE

BELT PULLEYS							
Series code	Serial code	Series range	Diameter	Package includes	Position(s)	Milling width	Part no.
W 1500	0820	254 - 9999	250 mm		<b>Position</b> Tensioner roller		186903
W 150	0513	1 - 103	315 mm		<b>Position</b> Drive motor/clutch		170796
			250 mm		<b>Position</b> Tensioner roller		186903
			280 mm		<b>Position</b> Milling gearbox		67150
		104 - 9999	280 mm		<b>Position</b> Milling gearbox		148639
			315 mm		<b>Position</b> Drive motor/clutch		170796
			250 mm		<b>Position</b> Tensioner roller		186903
W 150i	0613	1 - 9999	280 mm		<b>Position</b> Milling gearbox		148639
			250 mm		<b>Position</b> Tensioner roller		186903
			315 mm		<b>Position</b> Drive motor/clutch		170796
W 150 CF	0713	1 - 9999	250 mm		<b>Position</b> Milling gearbox; Tensioner roller		2442788
			265 mm		<b>Position</b> Drive motor/clutch		2443001
W 150 CFi	0813	1 - 9999	265 mm		<b>Position</b> Drive motor/clutch		2443001
			250 mm		<b>Position</b> Milling gearbox; Tensioner roller		2442788
W 1900	0820	1 - 253	330 mm		<b>Position</b> Drive motor/clutch		142158
			280 mm		<b>Position</b> Milling gearbox		67150
			250 mm		<b>Position</b> Tensioner roller		67151
		254 - 9999	330 mm		<b>Position</b> Drive motor/clutch		142158
			280 mm		<b>Position</b> Milling gearbox		148639
			250 mm		<b>Position</b> Tensioner roller		186903
	0920	1 - 219	330 mm		<b>Position</b> Drive motor/clutch		142158
			280 mm		<b>Position</b> Milling gearbox		67150
			250 mm		<b>Position</b> Tensioner roller		67151
		220 - 9999	330 mm		<b>Position</b> Drive motor/clutch		142158



BELT PULLEYS							
Series code	Serial code	Series range	Diameter	Package includes	Position(s)	Milling width	Part no.
W 1900	0920	220 - 9999	280 mm		<b>Position</b> Milling gearbox		148639
			250 mm		<b>Position</b> Tensioner roller		186903
	1020	88 - 9999	330 mm		<b>Position</b> Drive motor/clutch		142158
			250 mm		<b>Position</b> Tensioner roller		186903
			280 mm		<b>Position</b> Milling gearbox		148639
W 195	1820	1 - 9999	355 mm		<b>Position</b> Drive motor/clutch		2096843
			365 mm		<b>Position</b> Tensioner roller		2079000
			280 mm		<b>Position</b> Milling gearbox		2102336
W 2000	0620, 1120	1 - 9999	280 mm		<b>Position</b> Milling gearbox		114274
			315 mm		<b>Position</b> Drive motor/clutch		72438
			250 mm		<b>Position</b> Tensioner roller		114275
W 200	1220	1 - 9999	365 mm		<b>Position</b> Tensioner roller		2079000
			280 mm		<b>Position</b> Milling gearbox		2102336
			355 mm		<b>Position</b> Drive motor/clutch		2096843
W 200i	1420	1 - 9999	365 mm		<b>Position</b> Tensioner roller		2079000
			280 mm		<b>Position</b> Milling gearbox		2102336
			355 mm		<b>Position</b> Drive motor/clutch		2096843
W 200 F	2020	1 - 9999	280 mm		<b>Position</b> Tensioner roller		2600278
			355 mm		<b>Position</b> Drive motor/clutch		2654035
			280 mm		<b>Position</b> Milling gearbox		2610880
W 200 Fi	2120	1 - 9999	280 mm		<b>Position</b> Tensioner roller		2600278
			355 mm		<b>Position</b> Drive motor/clutch		2654035
			280 mm		<b>Position</b> Milling gearbox		2610880
W 205	2520	1 - 9999	365 mm		<b>Position</b> Tensioner roller		2079000
			280 mm		<b>Position</b> Milling gearbox		2102336
			355 mm		<b>Position</b> Drive motor/clutch		2096843

## MILLING DRUM DRIVE

BELT PULLEYS							
Series code	Serial code	Series range	Diameter	Package includes	Position(s)	Milling width	Part no.
W 207 Fi	2120	1 - 9999	280 mm		<b>Position</b> Tensioner roller		2600278
			355 mm		<b>Position</b> Drive motor/clutch		2654035
			280 mm		<b>Position</b> Milling gearbox		2610880
W 2100	0921	1 - 9999	355 mm		<b>Position</b> Milling gearbox		72437
			400 mm		<b>Position</b> Drive motor/clutch		80028
			315 mm		<b>Position</b> Tensioner roller		72438
W 210	1320	6 - 329	355 mm		<b>Position   Requirement</b> Drive motor/clutch   2 pc.		2096843
			365 mm		<b>Position</b> Tensioner roller		2079000
			280 mm		<b>Position</b> Milling gearbox		2102336
		330 - 9999	355 mm		<b>Position   Requirement</b> Drive motor/clutch   2 pc.		2096843
			365 mm		<b>Position</b> Tensioner roller		2079000
			280 mm		<b>Position</b> Milling gearbox		2102336
W 210i	1520	1 - 9999	365 mm		<b>Position</b> Tensioner roller		2079000
			280 mm		<b>Position</b> Milling gearbox		2102336
			355 mm		<b>Position   Requirement</b> Drive motor/clutch   2 pc.		2096843
W 210 Fi	2320	1 - 9999	280 mm		<b>Position</b> Tensioner roller		2600278
			355 mm		<b>Position</b> Drive motor/clutch		2654035
			280 mm		<b>Position</b> Milling gearbox		2610880
W 210 XP	2420	1 - 9999	365 mm		<b>Position</b> Tensioner roller		2079000
			280 mm		<b>Position</b> Milling gearbox		2102336
			355 mm		<b>Position</b> Drive motor/clutch		2096843
W 215	1920	1 - 9999	365 mm		<b>Position</b> Tensioner roller		2079000
			280 mm		<b>Position</b> Milling gearbox		2102336



BELT PULLEYS							
Series code	Serial code	Series range	Diameter	Package includes	Position(s)	Milling width	Part no.
W 215	1920	1 - 9999	355 mm		<b>Position</b> Drive motor/clutch		2096843
W 2200	0821	1 - 9999	400 mm		<b>Position</b> Drive motor/clutch	FB2200-3100	118543
			355 mm		<b>Position   Requirement</b> Milling gearbox; Tensioner roller   2 pc.	FB2200-3100; FB3500-4400	118547
			400 mm		<b>Position</b> Drive motor/clutch	FB3500-4400	118546
			315 mm		<b>Position</b> Tensioner roller	FB2200-3100	118545
W 220	0522	1 - 3	365 mm		<b>Position</b> Tensioner roller		2099112
			355 mm		<b>Position</b> Milling gearbox		2101923
			420 mm		<b>Position</b> Drive motor/clutch		2272265
		4 - 9999	365 mm		<b>Position</b> Tensioner roller		2099112
			355 mm		<b>Position</b> Milling gearbox		2101923
			420 mm		<b>Position</b> Drive motor/clutch		2272265
W 220i	0722	1 - 3	365 mm		<b>Position</b> Tensioner roller		2099112
			355 mm		<b>Position</b> Milling gearbox		2101923
			420 mm		<b>Position</b> Drive motor/clutch		2272265
		4 - 9999	365 mm		<b>Position</b> Tensioner roller		2099112
			355 mm		<b>Position</b> Milling gearbox		2101923
			420 mm		<b>Position</b> Drive motor/clutch		2272265
W 250	0422	1 - 9999	365 mm		<b>Position</b> Tensioner roller	FB2200-3100; FB3500-4400	2099112
			420 mm		<b>Position   Requirement</b> Drive motor/clutch   2 pc.	FB2200-3100; FB3500-4400	2272265
			355 mm		<b>Position</b> Milling gearbox	FB2200-3100; FB3500-4400	2101923
W 250i	0622	1 - 9999	365 mm		<b>Position</b> Tensioner roller	FB2200-3100; FB3500-4400	2099112
			355 mm		<b>Position</b> Milling gearbox	FB2200-3100; FB3500-4400	2101923
			420 mm		<b>Position   Requirement</b> Drive motor/clutch   2 pc.	FB2200-3100; FB3500-4400	2272265

## MILLING DRUM DRIVE

BELT PULLEYS							
Series code	Serial code	Series range	Diameter	Package includes	Position(s)	Milling width	Part no.
WS 220	02AS	1 - 9999	330 mm		<b>Position</b> Drive motor/clutch; Milling gearbox		182730
			190 mm		<b>Position</b> Tensioner roller		182732
WS 250	02AS	1 - 9999	190 mm		<b>Position</b> Tensioner roller		182732
			330 mm		<b>Position</b> Drive motor/clutch; Milling gearbox		182730
WR 2000	03WR	1 - 9999	400 mm		<b>Position</b> Drive motor/clutch		170798
			355 mm		<b>Position</b> Milling gearbox		170797
			315 mm		<b>Position</b> Tensioner roller		170796
WR 200	06WR	1 - 9999	400 mm		<b>Position</b> Drive motor/clutch		170798
			355 mm		<b>Position</b> Milling gearbox		170797
			315 mm		<b>Position</b> Tensioner roller		170796
WR 200i	09WR	1 - 9999	400 mm		<b>Position</b> Drive motor/clutch		170798
			355 mm		<b>Position</b> Milling gearbox		170797
			315 mm		<b>Position</b> Tensioner roller		170796
WR 2400	05WR	1 - 9999	355 mm		<b>Position</b> Milling gearbox		72437
			315 mm		<b>Position</b> Tensioner roller		72438
			400 mm		<b>Position</b> Drive motor/clutch		80028
WR 240	07WR	1 - 9999	315 mm		<b>Position</b> Return roller		72438
			365 mm		<b>Position</b> Tensioner roller		2248223
			355 mm		<b>Position</b> Milling gearbox		72437
			400 mm		<b>Position</b> Drive motor/clutch		80028
WR 240i	10WR	1 - 9999	315 mm		<b>Position</b> Return roller		72438
			355 mm		<b>Position</b> Milling gearbox		72437
			400 mm		<b>Position</b> Drive motor/clutch		80028
			365 mm		<b>Position</b> Tensioner roller		2248223



BELT PULLEYS							
Series code	Serial code	Series range	Diameter	Package includes	Position(s)	Milling width	Part no.
WR 2500 S	04WR	1 - 9999	400 mm		<b>Position</b> Milling gearbox		80028
			355 mm		<b>Position</b> Drive motor/clutch; Tensioner roller		72437
WR 250	08WR	1 - 9999	355 mm		<b>Position</b> Drive motor/clutch; Return roller		2219396
			400 mm		<b>Position</b> Milling gearbox		2219400
			365 mm		<b>Position</b> Tensioner roller		2248223
WR 250i	11WR	1 - 9999	365 mm		<b>Position</b> Tensioner roller		2248223
			355 mm		<b>Position</b> Drive motor/clutch; Return roller		2219396
			400 mm		<b>Position</b> Milling gearbox		2219400
W 240 CR	03CR	1 - 9999	365 mm		<b>Position</b> Tensioner roller		2099112
			355 mm		<b>Position</b> Milling gearbox; Return roller		2101923
			400 mm		<b>Position</b> Drive motor/clutch		118543
W 240 CRi	04CR	1 - 9999	355 mm		<b>Position</b> Milling gearbox; Return roller		2101923
			400 mm		<b>Position</b> Drive motor/clutch		118543
			365 mm		<b>Position</b> Tensioner roller		2099112
W 380 CR	03CR	1 - 9999	355 mm		<b>Position   Requirement</b> Milling gearbox; Tensioner roller   2 pc.		2101923
			400 mm		<b>Position</b> Drive motor/clutch		118543
W 380 CRi	04CR	1 - 9999	355 mm		<b>Position   Requirement</b> Milling gearbox; Tensioner roller   2 pc.		2101923
			400 mm		<b>Position</b> Drive motor/clutch		118543

# Original WIRTGEN TELEMATICS



WITOS, the telematics system from the WIRTGEN GROUP, offers an optimised package of solutions to increase your productivity on the job site. The intelligent WITOS FleetView telematics system from the WIRTGEN GROUP supports fleet and service management for machines from WIRTGEN, VÖGELE, HAMM and KLEEMANN. Thanks to the

system-supported processing, transmission, visualisation and evaluation of machine and position data, fleet and service management becomes even more efficient during day-to-day operations. With WITOS FleetView, you can keep track of your fleet of machines at all times.



> Read more online

## WITOS FLEETVIEW

WITOS FleetView fleet management gives you a permanent overview of the condition of your machines. Machines that are not factory-equipped for WITOS FleetView require an additional cable set, which you can order by providing us the machine's serial number.

WITOS FleetView is not available in all countries and for all model series - please contact your local sales and service company if you have any questions.



### WITOS FLEETVIEW

Series code	Serial code	Series range	Part	Package includes	Part no.
W 35 Ri	0703	1 - 5	Cable set		2555113
		1 - 9999	WITOS FleetView retrofit kit	without cable set	2483436





WITOS FLEETVIEW					
Series code	Serial code	Series range	Part	Package includes	Part no.
W 50 R	1405	1 - 23	Cable set		2555113
		1 - 9999	WITOS FleetView retrofit kit	without cable set	2483436
W 50 Ri	1505	1 - 24	Cable set		2555113
		1 - 9999	WITOS FleetView retrofit kit	without cable set	2483436
W 60 R	1405	1 - 23	Cable set		2555113
		1 - 9999	WITOS FleetView retrofit kit	without cable set	2483436
W 60 Ri	1505	1 - 24	Cable set		2555113
		1 - 9999	WITOS FleetView retrofit kit	without cable set	2483436
W 100 R	1510	1 - 25	Cable set		2555113
		1 - 9999	WITOS FleetView retrofit kit	without cable set	2483436
W 100 Ri	1610	1 - 9999	WITOS FleetView retrofit kit	without cable set	2483436
W 120 R	1510	1 - 25	Cable set		2555113
		1 - 9999	WITOS FleetView retrofit kit	without cable set	2483436
W 120 Ri	1610	1 - 9999	WITOS FleetView retrofit kit	without cable set	2483436
W 100 F	0810	680 - 9999	Cable set		2535386
			WITOS FleetView retrofit kit	without cable set	2483436
W 100 Fi	1310	1 - 263	Cable set		2535388
		1 - 9999	WITOS FleetView retrofit kit	without cable set	2483436
W 100 CF	1710	1 - 134	Cable set		2555113
		1 - 9999	WITOS FleetView retrofit kit	without cable set	2483436
W 100 CFi	1810	1 - 9999	WITOS FleetView retrofit kit	without cable set	2483436
W 120 F	0810	680 - 9999	Cable set		2535386
			WITOS FleetView retrofit kit	without cable set	2483436
W 120 Fi	1310	1 - 263	Cable set		2535388
		1 - 9999	WITOS FleetView retrofit kit	without cable set	2483436
W 120 CF	1710	1 - 134	Cable set		2555113

Original WIRTGEN  
**TELEMATICS**

WITOS FLEETVIEW					
Series code	Serial code	Series range	Part	Package includes	Part no.
W 120 CF	1710	1 - 9999	WITOS FleetView retrofit kit	without cable set	2483436
W 120 CFi	1810	1 - 9999	WITOS FleetView retrofit kit	without cable set	2483436
W 130 F	0810	680 - 9999	Cable set		2535386
			WITOS FleetView retrofit kit	without cable set	2483436
W 130 Fi	1310	1 - 263	Cable set		2535388
		1 - 9999	WITOS FleetView retrofit kit	without cable set	2483436
W 130 CF	1710	1 - 134	Cable set		2555113
		1 - 9999	WITOS FleetView retrofit kit	without cable set	2483436
W 130 CFi	1810	1 - 9999	WITOS FleetView retrofit kit	without cable set	2483436
W 150	0513	70 - 309	Cable set		2650797
			WITOS FleetView retrofit kit	without cable set	2483436
W 150i	0613	1 - 60	Cable set		2348164
		1 - 9999	WITOS FleetView retrofit kit	without cable set	2483436
W 150 CF	0713	1 - 38	Cable set		2555113
		1 - 9999	WITOS FleetView retrofit kit	without cable set	2483436
W 150 CFi	0813	1 - 9999	WITOS FleetView retrofit kit	without cable set	2483436
W 2000	0620	1 - 9999	Cable set		2650795
			WITOS FleetView retrofit kit	without cable set	2483436
W 200	1220	1 - 838	Cable set		2470503
		1 - 9999	WITOS FleetView retrofit kit	without cable set	2483436
W 200i	1420	1 - 84	Cable set		2470503
		1 - 9999	WITOS FleetView retrofit kit	without cable set	2483436
W 200 Hi	1720	1 - 22	Cable set		2470503
		1 - 9999	WITOS FleetView retrofit kit	without cable set	2483436
W 2100	0921	260 - 9999	Cable set		2725442
			WITOS FleetView retrofit kit	without cable set	2483436



WITOS FLEETVIEW					
Series code	Serial code	Series range	Part	Package includes	Part no.
W 210	1320	6 - 432	Cable set		2470503
		6 - 9999	WITOS FleetView retrofit kit	without cable set	2483436
W 210i	1520	1 - 112	Cable set		2470503
		1 - 9999	WITOS FleetView retrofit kit	without cable set	2483436
W 210 XP	2420	1 - 9999	WITOS FleetView retrofit kit	without cable set	2483436
W 2200	0821	200 - 9999	Cable set		2512856
			WITOS FleetView retrofit kit	without cable set	2483436
W 220	0522	1 - 56	Cable set		2470503
		1 - 9999	WITOS FleetView retrofit kit	without cable set	2483436
W 220i	0722	1 - 9999	WITOS FleetView retrofit kit	without cable set	2483436
W 250	0422	3 - 9999	Cable set		2470503
			WITOS FleetView retrofit kit	without cable set	2483436
W 250i	0622	1 - 16	Cable set		2470503
		1 - 9999	WITOS FleetView retrofit kit	without cable set	2483436
WR 2000	03WR	1 - 9999	Cable set		2656550
			WITOS FleetView retrofit kit	without cable set	2483436
WR 200	06WR	1 - 66	Cable set		2381420
		1 - 9999	WITOS FleetView retrofit kit	without cable set	2483436
WR 200i	09WR	1 - 9999	WITOS FleetView retrofit kit	without cable set	2483436
WR 2400	05WR	1 - 9999	Cable set		2656550
			WITOS FleetView retrofit kit	without cable set	2483436
WR 240	07WR	1 - 274	Cable set		2381420
		1 - 9999	WITOS FleetView retrofit kit	without cable set	2483436
WR 240i	10WR	1 - 55	Cable set		2381420
		1 - 9999	WITOS FleetView retrofit kit	without cable set	2483436
WR 2500 S	04WR	350 - 9999	Cable set		2656551

Original WIRTGEN  
**TELEMATICS**

WITOS FLEETVIEW					
Series code	Serial code	Series range	Part	Package includes	Part no.
WR 2500 S	04WR	350 - 9999	WITOS FleetView retrofit kit	without cable set	2483436
WR 250	08WR	1 - 38	Cable set		2381420
		1 - 9999	WITOS FleetView retrofit kit	without cable set	2483436
WR 250i	11WR	1 - 9999	WITOS FleetView retrofit kit	without cable set	2483436
KMA 220i	06MS	1 - 9999	WITOS FleetView retrofit kit	without cable set	2483436
KMA 220	05MS	104 - 9999	WITOS FleetView retrofit kit	without cable set	2483436
SP 15	12SP	220 - 9999	WITOS FleetView retrofit kit	without cable set	2483436
SP 15i	14SP	25 - 9999	WITOS FleetView retrofit kit	without cable set	2483436
SP 25	13SP	146 - 9999	WITOS FleetView retrofit kit	without cable set	2483436
SP 25i	15SP	25 - 9999	WITOS FleetView retrofit kit	without cable set	2483436
SP 61	22SP	1 - 89	Cable set		2430597
		1 - 9999	WITOS FleetView retrofit kit	without cable set	2483436
SP 61i	23SP	1 - 9999	WITOS FleetView retrofit kit	without cable set	2483436
SP 62	22SP	1 - 89	Cable set		2430597
		1 - 9999	WITOS FleetView retrofit kit	without cable set	2483436
SP 62i	23SP	1 - 9999	WITOS FleetView retrofit kit	without cable set	2483436
SP 64	22SP	1 - 89	Cable set		2430597
		1 - 9999	WITOS FleetView retrofit kit	without cable set	2483436
SP 64i	23SP	1 - 9999	WITOS FleetView retrofit kit	without cable set	2483436
SP 92	20SP	1 - 47	Cable set		2430597
		1 - 9999	WITOS FleetView retrofit kit	without cable set	2483436
SP 92i	21SP	1 - 9999	WITOS FleetView retrofit kit	without cable set	2483436
SP 94	20SP	1 - 47	Cable set		2430597
		1 - 9999	WITOS FleetView retrofit kit	without cable set	2483436
SP 94i	21SP	1 - 9999	WITOS FleetView retrofit kit	without cable set	2483436



# EMERGENCY KITS



WIRTGEN



Machine downtime on the construction site is extremely costly. To reduce the amount of time spent dealing with unforeseen repairs, WIRTGEN has put together both emergency kits and service cases for electrical components.

The contents of the kits and cases make it possible to quickly solve problems with on-board tools

directly on the construction site, thus saving money. Because the parts are specifically selected for the respective machine, you always have the most important spare parts available on site. The kit is supplied in a practical case and can thus be stowed in the machine's storage compartment, for example.



> Read more online

## EMERGENCY KITS

WIRTGEN emergency kits offer practical assistance to help you rapidly repair electrical components.



EMERGENCY KITS			
Series code	Serial code	Series range	Part no.
W 35 Ri	0703	1 - 9999	2528876
W 50 R	1405	1 - 9999	2528876
W 50 Ri	1505	1 - 9999	2528876

**EMERGENCY KITS**

EMERGENCY KITS			
Series code	Serial code	Series range	Part no.
W 50 H	1305	1 - 9999	2091528
W 55 H	1305	1 - 9999	2091528
W 60 R	1405	1 - 9999	2528876
W 60 Ri	1505	1 - 9999	2528876
W 60	0910	1 - 9999	2091528
W 60i	1210	1 - 9999	2091528
W 100	0910	1 - 9999	2091528
W 100i	1210	1 - 9999	2091528
W 100	1010	1 - 9999	2091528
W 100 L	1010	1 - 9999	2091528
W 100 H	1910	1 - 9999	2091528
W 100	1110	1 - 9999	2091528
W 100 R	1510	1 - 9999	2528876
W 100 Ri	1610	1 - 9999	2528876
W 100 H	1410	1 - 9999	2091528
W 120 R	1510	1 - 9999	2528876
W 120 Ri	1610	1 - 9999	2528876
W 130 H	1410, 1910	1 - 9999	2091528
W 1000 F	0710	1 - 329	194195
		330 - 9999	200017
W 100 F	0810	1 - 9999	2061025
W 100 Fi	1310	1 - 9999	2061025
W 100 CF	1710	1 - 9999	2528876
W 100 CFi	1810	1 - 9999	2528876
W 1200 F	0710	1 - 329	194195
		330 - 9999	200017
W 120 F	0810	1 - 9999	2061025



EMERGENCY KITS			
Series code	Serial code	Series range	Part no.
W 120 Fi	1310	1 - 9999	2061025
W 120 CF	1710	1 - 9999	2528876
W 120 CFi	1810	1 - 9999	2528876
W 1300 F	0710	1 - 329	194195
		330 - 9999	200017
W 130 F	0810	1 - 9999	2061025
W 130 Fi	1310	1 - 9999	2061025
W 130 CF	1710	1 - 9999	2528876
W 130 CFi	1810	1 - 9999	2528876
W 1500	0820	1 - 9999	194189
W 150	0513	1 - 9999	2061025
W 150i	0613	1 - 9999	2061025
W 150 CF	0713	1 - 9999	2528876
W 150 CFi	0813	1 - 9999	2528876
W 1900	0820, 1020	1 - 9999	194189
W 195	1820	1 - 9999	2143541
W 2000	0620, 1120	1 - 9999	194188
W 200	1220	1 - 9999	2143541
W 200i	1420	1 - 9999	2143541
W 205	2520	1 - 9999	2143541
W 2100	0921	1 - 9999	194188
W 210	1320	1 - 9999	2143541
W 210i	1520	1 - 9999	2143541
W 210 XP	2420	1 - 9999	2143541
W 215	1920	1 - 9999	2143541
W 2200	0821	1 - 9999	194188
W 220	0522	1 - 9999	2143541

# EMERGENCY KITS

EMERGENCY KITS			
Series code	Serial code	Series range	Part no.
W 220i	0722	1 - 9999	2143541
W 250	0422	1 - 9999	2143541
WR 2000	03WR	1 - 124	200019
		125 - 9999	2061021
WR 200	06WR	1 - 9999	2284497
WR 200i	09WR	1 - 9999	2284497
WR 2400	05WR	1 - 9999	2061021
WR 240	07WR	1 - 9999	2284497
WR 240i	10WR	1 - 9999	2284497
WR 2500 S	04WR	1 - 9999	200020
WR 250	08WR	1 - 9999	2284497
WR 250i	11WR	1 - 9999	2284497

## SERVICE CASE

WIRTGEN service cases contain everything needed to rectify minor electrical faults as well as to carry out regular maintenance with the appropriate small parts.



SERVICE CASE				
Series code	Serial code	Series range	Version	Part no.
W 35 DC	0403	1 - 9999	Electrical service case for workshop staff	2174832
			Electrical service case for machine operators	148616
W 35 Ri	0703	1 - 9999	Electrical service case for workshop staff	2529169
W 500	0605	1 - 9999	Electrical service case for workshop staff	2174835
			Electrical service case for machine operators	147320





SERVICE CASE				
Series code	Serial code	Series range	Version	Part no.
W 50	1005	1 - 9999	Electrical service case for workshop staff	2174832
			Electrical service case for machine operators	148616
W 50 DC	0905	1 - 9999	Electrical service case for workshop staff	2174832
			Electrical service case for machine operators	148616
W 50 R	1405	1 - 9999	Electrical service case for workshop staff	2529169
W 50 Ri	1505	1 - 9999	Electrical service case for workshop staff	2529169
W 50 H	1305	1 - 9999	Electrical service case for workshop staff	2174832
			Electrical service case for machine operators	148616
W 55 H	1305	1 - 9999	Electrical service case for workshop staff	2174832
			Electrical service case for machine operators	148616
W 60 R	1405	1 - 9999	Electrical service case for workshop staff	2529169
W 60 Ri	1505	1 - 9999	Electrical service case for workshop staff	2529169
W 60	0910	1 - 9999	Electrical service case for workshop staff	2174832
			Electrical service case for machine operators	148616
W 60i	1210	1 - 9999	Electrical service case for workshop staff	2174832
			Electrical service case for machine operators	148616
W 100	0910	1 - 9999	Electrical service case for workshop staff	2174832
			Electrical service case for machine operators	148616
W 100i	1210	1 - 9999	Electrical service case for workshop staff	2174832
			Electrical service case for machine operators	148616
W 100	1010	1 - 9999	Electrical service case for workshop staff	2174832
			Electrical service case for machine operators	148616
W 100 L	1010	1 - 9999	Electrical service case for workshop staff	2174832
			Electrical service case for machine operators	148616
W 100 H	1910	1 - 9999	Electrical service case for workshop staff	2174832
			Electrical service case for machine operators	148616

# EMERGENCY KITS

SERVICE CASE				
Series code	Serial code	Series range	Version	Part no.
W 100	1110	1 - 9999	Electrical service case for workshop staff	2174832
			Electrical service case for machine operators	148616
W 100 R	1510	1 - 9999	Electrical service case for workshop staff	2529169
W 100 Ri	1610	1 - 9999	Electrical service case for workshop staff	2529169
W 100 H	1410	1 - 9999	Electrical service case for workshop staff	2174832
			Electrical service case for machine operators	148616
W 120 R	1510	1 - 9999	Electrical service case for workshop staff	2529169
W 120 Ri	1610	1 - 9999	Electrical service case for workshop staff	2529169
W 130 H	1410, 1910	1 - 9999	Electrical service case for workshop staff	2174832
			Electrical service case for machine operators	148616
W 1000 F	0710	1 - 164	Electrical service case for machine operators	147320
			Electrical service case for workshop staff	2174835
		165 - 9999	Electrical service case for machine operators	148616
			Electrical service case for workshop staff	2174832
W 100 F	0810	1 - 9999	Electrical service case for workshop staff	2174832
			Electrical service case for machine operators	148616
W 100 Fi	1310	1 - 9999	Electrical service case for workshop staff	2174832
			Electrical service case for machine operators	148616
W 100 CF	1710	1 - 9999	Electrical service case for workshop staff	2529169
W 100 CFi	1810	1 - 9999	Electrical service case for workshop staff	2529169
W 1200 F	0710	1 - 164	Electrical service case for machine operators	147320
			Electrical service case for workshop staff	2174835
		165 - 9999	Electrical service case for machine operators	148616
			Electrical service case for workshop staff	2174832
W 120 F	0810	1 - 9999	Electrical service case for workshop staff	2174832
			Electrical service case for machine operators	148616



SERVICE CASE				
Series code	Serial code	Series range	Version	Part no.
W 120 Fi	1310	1 - 9999	Electrical service case for workshop staff	2174832
			Electrical service case for machine operators	148616
W 120 CF	1710	1 - 9999	Electrical service case for workshop staff	2529169
W 120 CFi	1810	1 - 9999	Electrical service case for workshop staff	2529169
W 1300 F	0710	1 - 164	Electrical service case for machine operators	147320
			Electrical service case for workshop staff	2174835
		165 - 9999	Electrical service case for machine operators	148616
			Electrical service case for workshop staff	2174832
W 130 F	0810	1 - 9999	Electrical service case for workshop staff	2174832
			Electrical service case for machine operators	148616
W 130 Fi	1310	1 - 9999	Electrical service case for workshop staff	2174832
			Electrical service case for machine operators	148616
W 130 CF	1710	1 - 9999	Electrical service case for workshop staff	2529169
W 130 CFi	1810	1 - 9999	Electrical service case for workshop staff	2529169
W 1500	0820	1 - 9999	Electrical service case for workshop staff	2174832
			Electrical service case for machine operators	148616
W 150	0513	1 - 9999	Electrical service case for workshop staff	2174832
			Electrical service case for machine operators	148616
W 150i	0613	1 - 9999	Electrical service case for workshop staff	2174832
			Electrical service case for machine operators	148616
W 150 CF	0713	1 - 9999	Electrical service case for workshop staff	2529169
W 150 CFi	0813	1 - 9999	Electrical service case for workshop staff	2529169
W 1900	0820, 1020	1 - 9999	Electrical service case for workshop staff	2174832
			Electrical service case for machine operators	148616
W 195	1820	1 - 9999	Electrical service case for machine operators	2143521
W 2000	0620	1 - 215	Electrical service case for machine operators	147320

# EMERGENCY KITS

SERVICE CASE				
Series code	Serial code	Series range	Version	Part no.
W 2000	0620	1 - 215	Electrical service case for workshop staff	2174835
		216 - 9999	Electrical service case for machine operators	148616
			Electrical service case for workshop staff	2174832
	1120	1 - 9999	Electrical service case for workshop staff	2174832
			Electrical service case for machine operators	148616
	W 200	1220	1 - 9999	Electrical service case for machine operators
W 200i	1420	1 - 9999	Electrical service case for machine operators	2143521
W 205	2520	1 - 9999	Electrical service case for machine operators	2143521
W 2100	0921	1 - 11	Electrical service case for machine operators	147320
			Electrical service case for workshop staff	2174835
		12 - 9999	Electrical service case for machine operators	148616
			Electrical service case for workshop staff	2174832
W 210	1320	1 - 9999	Electrical service case for machine operators	2143521
W 210i	1520	1 - 9999	Electrical service case for machine operators	2143521
W 210 XP	2420	1 - 9999	Electrical service case for machine operators	2143521
W 215	1920	1 - 9999	Electrical service case for machine operators	2143521
W 2200	0821	1 - 59	Electrical service case for machine operators	147320
			Electrical service case for workshop staff	2174835
		60 - 9999	Electrical service case for machine operators	148616
			Electrical service case for workshop staff	2174832
W 220	0522	1 - 9999	Electrical service case for machine operators	2143521
W 220i	0722	1 - 9999	Electrical service case for machine operators	2143521
W 250	0422	1 - 9999	Electrical service case for machine operators	2143521
WR 2000	03WR	1 - 9999	Electrical service case for machine operators	148616
			Electrical service case for workshop staff	2174832
WR 2400	05WR	1 - 9999	Electrical service case for machine operators	148616



SERVICE CASE				
Series code	Serial code	Series range	Version	Part no.
WR 2400	05WR	1 - 9999	Electrical service case for workshop staff	2174832
WR 2500 S	04WR	1 - 9999	Electrical service case for machine operators	148616
			Electrical service case for workshop staff	2174832

# Original WIRTGEN TOOLS



Nothing is more important than the reliability of your machine. With the right tools from WIRTGEN, you can help yourself quickly and easily in the event of minor maintenance tasks or when changing picks - be it with the valuable tools for

road milling machines, for changing round-shank picks or for maintenance and assembly. You will also find everything you need for minor hydraulic maintenance tasks in the WIRTGEN service cases.



> Read more online

## SERVICE CASE

WIRTGEN service cases contain everything needed to carry out minor maintenance work on your machines' hydraulic systems, electrical systems and conveyor belts.



SERVICE CASE	
Version	Part no.
Hydraulic testing kit	12782
Complete crimping kit	2191384
Electrical testing kit	89900
Vacuum kit	95304



## TOOLS FOR ROAD MILLING MACHINES

WIRTGEN offers two different optional tool kits for maintenance and repair work on its road milling machines. The wear gauges for belt pulleys allow you to easily estimate tooth flank wear.



TOOLS FOR ROAD MILLING MACHINES			
Part	Version	Application	Part no.
Wear gauge	for belt pulleys	5V V-belt profile	2065403
	for belt pulleys	WB15 V-belt profile	2163595
Tool kit	large		72612
	small		72613

## TOOLS FOR CHANGING ROUND-SHANK PICKS

WIRTGEN offers suitable tools for removing used round-shank picks and inserting the new milling tools.



TOOLS FOR CHANGING ROUND-SHANK PICKS							
Part	Version	Description	Diameter	Thread	Package includes	Hose length	Part no.
Spout	Pneumatic pick driver and ejector		12 mm	R1/4"			11283
Pneumatic hammer	Pneumatic pick driver and ejector				incl. holding sleeve for driving tool and spout		11512
Ejector	for round-shank picks						193685
Pick ejector	Hydraulic ejector					4.3 m	2250069
	Hydraulic ejector					2.5 m	2580977

# TOOLS

TOOLS FOR CHANGING ROUND-SHANK PICKS							
Part	Version	Description	Diameter	Thread	Package includes	Hose length	Part no.
Extractor	for round-shank picks						28812
Ejector	for round-shank picks						45275
Holding sleeve	Pneumatic pick driver and ejector	for driving tool					53035
Copper hammer		for driving in picks					5442
Assembly pliers	for retaining rings						5447
Pneumatic hammer	Pneumatic pick driver and ejector				with pick driver and ejector incl. accessories and compressed air hose		2723311
Ejector	for mini-picks						82747
Pick driver	pneumatic						84251
Pick ejector	Pneumatic pick driver and ejector						84252

## TOOLS FOR MAINTENANCE AND ASSEMBLY

Genuine WIRTGEN tools for maintenance and assembly offer valuable assistance in the rapid replacement of picks and milling drums, among other tasks.



TOOLS FOR MAINTENANCE AND ASSEMBLY							
Part	Version	Torque	Thread	Size	Package includes	Width across flats	Part no.
Thread tap	for HT3		M24x2				101772
Hexagonal nut	for HT22 and HT11			24 mm - 3/4"			10539
Extension				3/4"			10747




**TOOLS FOR MAINTENANCE AND ASSEMBLY**

Part	Version	Torque	Thread	Size	Package includes	Width across flats	Part no.
Hexagon socket	for HT3			14 mm			11151
	for HT22 and HT11			17 mm			11886
Centring pin	Female thread		M22 x 1.5			17 mm	163632
Adapter for thread tap	for HT3						169132
	for HT22 and HT11						2089182
Thread tap	for HT15		M36x2		with cylindrical guide pin	22 mm	2189068
Hexagon socket	for HT15 square mount 1"			22 mm			2197997
Support	for MCS					65 mm	2660318
Extraction tool	for MCS						2669662
Thread tap	for HT22 + HT11		M30x2		with cylindrical guide pin	24 mm	2753140
Torque wrench		160 – 800 Nm					68273
Slip-on ratchet	right-turn 3/4"						97204

Original VÖGELE  
**SCREED**



VÖGELE screeds comprise the heart of every road paver. The screed compacts the mix evenly across the entire paving width, creating a uniformly sealed surface texture.

Grade the pavement exactly to your client's specifications with reliable screeds from VÖGELE. Maximum precompaction guaranteed.



> Read more online

**RUBBER COVER PANEL**

Genuine VÖGELE rubber cover panels are available to fit any screed type. The covers are designed to provide optimum protection against any kind of contamination of the screed components.



**RUBBER COVER PANEL**

Series code	Serial code	Series range	Type	Screed version	Position	Part no.
AB 340	13AB	10 - 9999	for screeds	V; TV	left side; right side	2061044
			for screeds	V; TV	left; right	2061052
			for screeds	V; TV	Centre	2062043
AB 340-3	27AB	10 - 9999	for screeds		right side	2241887



RUBBER COVER PANEL						
Series code	Serial code	Series range	Type	Screed version	Position	Part no.
AB 340-3	27AB	10 - 9999	for screeds		left side	2241885
			for screeds		left; right	2288003
AB 500	10AB	10 - 22	for screeds	TV; TP	right	4601350102
			for screeds	TV; TP	left	4601350101
		23 - 9999	for screeds	TV; TP	left	4601350155
			for screeds	TV; TP	right	4601350156
		126 - 9999	for screeds	TV; TP	right side	4601350188
			for screeds	TV; TP	left side	4601350187
AB 500-2	14AB	10 - 9999	for screeds	TV	right	2038479
			for screeds	TV	left	2038478
	15AB	10 - 9999	for screeds	TP	left	2038478
			for screeds	TP	right	2038479
AB 500-3	23AB	10 - 9999	for screeds	TV	left	2278336
			for screeds	TV	right	2278337
	24AB	10 - 9999	for screeds	TP	left	2278336
			for screeds	TP	right	2278337
AB 600	11AB	10 - 9999	for screeds	TV; TP	right	2002517
			for screeds	TV; TP	left	2002516
AB 600-2	16AB	10 - 9999	for screeds	TV	left	2060987
			for screeds	TV	right	2061004
	17AB	10 - 9999	for screeds	TP	left	2060987
			for screeds	TP	right	2061004
AB 600-3	25AB	10 - 9999	for screeds	TV	right	2278648
			for screeds	TV	left	2278635
	26AB	10 - 9999	for screeds	TP	right	2278648
			for screeds	TP	left	2278635

Original VÖGELE  
**SCREED**

RUBBER COVER PANEL						
Series code	Serial code	Series range	Type	Screed version	Position	Part no.
VF 500-2	19AB	10 - 9999	for screeds	V	right	2223213
			for screeds	V	left	2223210
VF 600-2	20AB	10 - 9999	for screeds	V	left	2218027
			for screeds	V	right	2218031
VR 600-2	18AB	10 - 9999	for screeds	V	left	2180732
			for screeds	V	right	2180735
SB 250	02SB	10 - 9999	for screeds		left	4601350146
			for screeds		right	4601350147
SB 250-2	05SB	10 - 9999	for screeds		right	4601350147
			for screeds		left	4601350146
SB 300	03SB	10 - 9999	for screeds		right	4601350147
			for screeds		left	4601350146
SB 300-2	06SB	10 - 9999	for screeds		left	4601350144
			for screeds		right	4601350145
VF 500-3	30AB	10 - 9999	for screeds	V	right	2371019
			for screeds	V	left	2370993
VF 600-3	31AB	10 - 9999	for screeds	V	left	2370817
			for screeds	V	right	2370838



## TELESCOPING TUBES

The tightest manufacturing tolerances allow us to maintain the high quality of our telescoping tubes throughout the entire production process. The telescoping tube set consists of an outer tube, an intermediate tube and an inner tube.



TELESCOPING TUBES									
Series code	Serial code	Series range	Part	Package content	Extension	Version	Requirement	Part no.	
AB 200	12AB	10 - 41	Scraper				2 pc.	2014682	
			Outer tube				2 pc.	2035620	
			Guide ring				2 pc.	2014681	
			Piston rod				2 pc.	2014469	
		42 - 9999	Scraper					4 pc.	2014682
			Outer tube					2 pc.	2037603
			Guide ring					8 pc.	2014680
								2 pc.	2014681
Piston rod					2 pc.	2037604			
AB 220-3	28AB	10 - 9999	Scraper				4 pc.	2014682	
			Outer tube				2 pc.	2369616	
			Guide ring				2 pc.	2014681	
							8 pc.	2014680	
			Piston rod				2 pc.	2369621	
AB 340	13AB	10 - 9999	Scraper				4 pc.	2044142	
			Outer tube				2 pc.	2043540	
			Guide ring				2 pc.	2044141	
							8 pc.	2044139	
			Inner tube				2 pc.	2043553	
AB 340-3	27AB	10 - 9999	Scraper				4 pc.	2044142	

TELESCOPING TUBES								
Series code	Serial code	Series range	Part	Package content	Extension	Version	Requirement	Part no.
AB 340-3	27AB	10 - 9999	Outer tube				2 pc.	2043540
			Guide ring				8 pc.	2044139
							2 pc.	2044141
			Inner tube				2 pc.	2043553
AB 480-3	29AB	10 - 9999	Scraper ring			small	2 pc.	4604112068
						large	2 pc.	4604112059
			Teflon tape			for half shells	2 pc.	2349022
			Adhesive and hardener			for half shells	1 pc.	2013981
			Set of telescoping tubes	1x outer tube, 1x intermediate tube, 1x inner tube			2 pc.	2748034
AB 500	10AB	10 - 9999	Scraper ring			large	2 pc.	4604112059
						small	2 pc.	4604112068
			Teflon tape			for half shells	2 pc.	4624132029
			Adhesive and hardener			for half shells	1 pc.	2013981
			Set of telescoping tubes	1x outer tube, 1x intermediate tube, 1x inner tube			2 pc.	2005960
AB 500-2	14AB	10 - 9999	Scraper ring			small	2 pc.	4604112068
						large	2 pc.	4604112059
			Teflon tape			for half shells	2 pc.	4624132029
			Adhesive and hardener			for half shells	1 pc.	2013981
			Set of telescoping tubes	1x outer tube, 1x intermediate tube, 1x inner tube			2 pc.	2005960
	15AB	10 - 9999	Scraper ring			large	2 pc.	4604112059
						small	2 pc.	4604112068
			Teflon tape			for half shells	2 pc.	4624132029
			Adhesive and hardener			for half shells	1 pc.	2013981



TELESCOPING TUBES								
Series code	Serial code	Series range	Part	Package content	Extension	Version	Requirement	Part no.
AB 500-2	15AB	10 - 9999	Set of telescoping tubes	1x outer tube, 1x intermediate tube, 1x inner tube			2 pc.	2005960
AB 500-3	23AB, 24AB	10 - 9999	Scraper ring			large	2 pc.	4604112059
						small	2 pc.	4604112068
			Sliding bearing				2 pc.	2211074
			Set of telescoping tubes	1x outer tube, 1x intermediate tube, 1x inner tube			2 pc.	2005960
AB 600	11AB	10 - 9999	Scraper ring			small	2 pc.	4604112068
						large	2 pc.	4604112059
			Teflon tape			for half shells	2 pc.	4624132029
			Adhesive and hardener			for half shells	1 pc.	2013981
			Set of telescoping tubes	1x outer tube, 1x intermediate tube, 1x inner tube			2 pc.	2038213
AB 600-2	16AB	10 - 9999	Scraper ring			large	2 pc.	4604112059
						small	2 pc.	4604112068
			Teflon tape			for half shells	2 pc.	4624132029
			Adhesive and hardener			for half shells	1 pc.	2013981
			Set of telescoping tubes	1x outer tube, 1x intermediate tube, 1x inner tube			2 pc.	2038213
	17AB	10 - 9999	Scraper ring			small	2 pc.	4604112068
						large	2 pc.	4604112059
			Teflon tape			for half shells	2 pc.	4624132029
			Adhesive and hardener			for half shells	1 pc.	2013981
			Set of telescoping tubes	1x outer tube, 1x intermediate tube, 1x inner tube			2 pc.	2038213
AB 600-3	25AB	10 - 9999	Scraper ring			large	2 pc.	4604112059

TELESCOPING TUBES								
Series code	Serial code	Series range	Part	Package content	Extension	Version	Requirement	Part no.
AB 600-3	25AB	10 - 9999	Scraper ring			small	2 pc.	4604112068
			Sliding bearing				2 pc.	2211074
			Set of telescoping tubes	1x outer tube, 1x intermediate tube, 1x inner tube			2 pc.	2038213
	26AB	10 - 9999	Scraper ring			small	2 pc.	4604112068
			Scraper ring			large	2 pc.	4604112059
			Sliding bearing				2 pc.	2211074
			Set of telescoping tubes	1x outer tube, 1x intermediate tube, 1x inner tube			2 pc.	2038213
	VF 500-2	19AB	10 - 9999	Scraper ring				16 pc.
Guide ring							48 pc.	2134632
Piston rod							8 pc.	2201947
VF 600-2	20AB	10 - 9999	Scraper ring				16 pc.	2140458
			Guide ring				48 pc.	2134632
			Piston rod				8 pc.	2134690
VR 600-2	18AB	10 - 9999	Scraper ring			small	2 pc.	4604112068
			Scraper ring			large	2 pc.	4604112059
			Teflon tape			for half shells	2 pc.	4624132029
			Adhesive and hardener			for half shells	1 pc.	2013981
			Set of telescoping tubes	1x outer tube, 1x intermediate tube, 1x inner tube			2 pc.	2038213
SB 250	02SB	10 - 9999	Scraper		0.75 m	telescoping	4 pc.	9650060147
			Guide tube		0.75 m	telescoping	2 pc.	4617305116
SB 250-2	05SB	10 - 9999	Scraper		0.75 m	telescoping	4 pc.	9650060147
			Guide tube		0.75 m	telescoping	2 pc.	4617305116
SB 300	03SB	10 - 9999	Scraper		0.75 m	telescoping	4 pc.	9650060147





TELESCOPING TUBES								
Series code	Serial code	Series range	Part	Package content	Extension	Version	Requirement	Part no.
SB 300	03SB	10 - 9999	Guide tube		0.75 m	telescoping	2 pc.	4617305116
SB 300-2	06SB	10 - 9999	Scraper		0.75 m	telescoping	4 pc.	9650060147
			Guide tube		0.75 m	telescoping	2 pc.	4617305116
VF 500-3	30AB	10 - 9999	Piston rod				8 pc.	2201947
VF 600-3	31AB	10 - 9999	Piston rod				8 pc.	2134690
AB 220	36AB	10 - 9999	Scraper				4 pc.	2014682
			Outer tube				2 pc.	2369616
			Guide ring				8 pc.	2014680
							2 pc.	2014681
Piston rod				2 pc.	2369621			
SB 300-3	07SB	10 - 9999	Scraper		1.25 m	telescoping	8 pc.	9650060147
			Guide tube		1.25 m	telescoping	4 pc.	2463573
SB 350-3	08SB	10 - 9999	Scraper		1.25 m	telescoping	8 pc.	9650060147
			Guide tube		1.25 m	telescoping	4 pc.	2463573
SB 300-3	09SB	10 - 9999	Scraper		1.25 m	telescoping	8 pc.	9650060147
			Guide tube		1.25 m	telescoping	4 pc.	2463573
SB 350-3	10SB	10 - 9999	Scraper		1.25 m	telescoping	8 pc.	9650060147
			Guide tube		1.25 m	telescoping	4 pc.	2463573

Original VÖGELE  
**SCREED**

**SPRING STEEL STRIP**

VÖGELE spring steel strips - which can also be replaced individually - serve to provide an elastic seal between the tamper bar and the tamper shield.

SPRING STEEL STRIP							
Series code	Serial code	Series range	Screed version	Position	Extension	Version	Part no.
AB 200	12AB	10 - 9999	TV	Basic screed, right			2024189
			TV	Basic screed, left			2024039
			TV	Extending screed, left; Extending screed, right			2023957
			TV	Screed extension, left; Screed extension, right	0.35 m		2028278
			TV	Screed extension, left; Screed extension, right	0.6 m		2030896
AB 220-3	28AB	10 - 9999	TV	Basic screed, left			2369784
			TV	Basic screed, right			2370371
			TV	Screed extension, left; Screed extension, right	0.5 m		2374772
			TV	Extending screed, left; Extending screed, right			2370536
AB 340	13AB	10 - 9999	TV	Extending screed, left; Extending screed, right			2044026
			TV	Basic screed, left			2044084
			TV	Screed extension, left; Screed extension, right	0.55 m		2047521
			TV	Basic screed, right			2044106
			TV	Screed extension, left; Screed extension, right	0.4 m		2051294
AB 340-3	27AB	10 - 9999	TV	Basic screed, right			2044106



SPRING STEEL STRIP							
Series code	Serial code	Series range	Screed version	Position	Extension	Version	Part no.
AB 340-3	27AB	10 - 9999	TV	Basic screed, left			2044084
			TV	Extending screed, left; Extending screed, right			2044026
			TV	Screed extension, left; Screed extension, right	0.55 m		2047521
			TV	Screed extension, left; Screed extension, right	0.8 m		2066900
AB 480-3	29AB	10 - 9999	TV	Screed extension, left; Screed extension, right	0.75 m		2038330
			TV	Screed extension, left; Screed extension, right	1.25 m		2038077
			TV	Basic screed, left; Basic screed, right; Extending screed, left; Extending screed, right			2027338
			TV	Screed extension, left; Screed extension, right	0.25 m		2041081
			TV	Screed extension, left; Screed extension, right	0.6 m		2356723
AB 500	10AB	10 - 9999		Screed extension, left; Screed extension, right	0.225 m		4615106726
				Screed extension, left; Screed extension, right	0.75 m		4615106692
				Basic screed, left; Basic screed, right; Extending screed, left; Extending screed, right			4615106688

Original VÖGELE  
**SCREED**

SPRING STEEL STRIP							
Series code	Serial code	Series range	Screed version	Position	Extension	Version	Part no.
AB 500	10AB	10 - 9999		Screed extension, left; Screed extension, right	1.25 m		4615106734
AB 500-2	14AB, 15AB	10 - 9999		Basic screed, left; Basic screed, right; Ex- tending screed, left; Extending screed, right			2027338
				Screed extension, left; Screed extension, right	1.25 m		2038077
				Screed extension, left; Screed extension, right	0.75 m		2038330
				Screed extension, left; Screed extension, right	0.25 m		2041081
AB 500-3	23AB	10 - 9999		Screed extension, left; Screed extension, right	0.75 m		2038330
				Screed extension, left; Screed extension, right	0.25 m		2041081
				Basic screed, left; Basic screed, right; Ex- tending screed, left; Extending screed, right			2027338
				Screed extension, left; Screed extension, right	1.25 m		2038077
	24AB	10 - 9999		Screed extension, left; Screed extension, right	0.75 m		2038330
				Screed extension, left; Screed extension, right	1.25 m		2038077



SPRING STEEL STRIP							
Series code	Serial code	Series range	Screed version	Position	Extension	Version	Part no.
AB 500-3	24AB	10 - 9999		Basic screed, left; Basic screed, right; Ex- tending screed, left; Extending screed, right			2027338
				Screed extension, left; Screed extension, right	0.25 m		2041081
AB 600	11AB	10 - 9999		Screed extension, left; Screed extension, right	0.75 m		4615106692
				Screed extension, left; Screed extension, right	0.225 m		4615106726
				Basic screed, left; Basic screed, right; Ex- tending screed, left; Extending screed, right			4615106730
				Screed extension, left; Screed extension, right	1.25 m		4615106734
AB 600-2	16AB	10 - 9999		Screed extension, left; Screed extension, right	1.25 m		2038077
				Screed extension, left; Screed extension, right	0.75 m		2038330
				Basic screed, left; Basic screed, right; Ex- tending screed, left; Extending screed, right			2052396
				Screed extension, left; Screed extension, right	0.25 m		2041081
	17AB	10 - 9999		Screed extension, left; Screed extension, right	1.25 m		2038077

SPRING STEEL STRIP							
Series code	Serial code	Series range	Screed version	Position	Extension	Version	Part no.
AB 600-2	17AB	10 - 9999		Screed extension, left; Screed extension, right	0.75 m		2038330
				Screed extension, left; Screed extension, right	0.25 m		2041081
				Basic screed, left; Basic screed, right; Ex- tending screed, left; Extending screed, right			2052396
AB 600-3	25AB	10 - 9999		Screed extension, left; Screed extension, right	1.25 m		2038077
				Screed extension, left; Screed extension, right	0.25 m		2041081
				Screed extension, left; Screed extension, right	0.75 m		2038330
				Basic screed, left; Basic screed, right; Ex- tending screed, left; Extending screed, right			2052396
	26AB	10 - 9999		Screed extension, left; Screed extension, right	0.25 m		2041081
				Screed extension, left; Screed extension, right	0.75 m		2038330
				Screed extension, left; Screed extension, right	1.25 m		2038077
				Basic screed, left; Basic screed, right; Ex- tending screed, left; Extending screed, right			2052396



SPRING STEEL STRIP							
Series code	Serial code	Series range	Screed version	Position	Extension	Version	Part no.
SB 250	02SB	437 - 9999		Screed extension, left; Screed extension, right	0.75 m	telescoping	4615106711
				Screed extension, left; Screed extension, right	0.5 m		4615106600
				Screed extension, left; Screed extension, right	0.25 m		4615106598
				Screed extension, left; Screed extension, right	1.5 m		2000295
				Screed extension, left; Screed extension, right	1.0 m		2000269
				Basic screed, left; Basic screed, right			4615106722
SB 250-2	05SB	10 - 9999		Screed extension, left; Screed extension, right	1.5 m		2123516
				Screed extension, left; Screed extension, right	1.0 m		2123488
				Screed extension, left; Screed extension, right	0.5 m		2123476
				Screed extension, left; Screed extension, right	0.25 m		2123464
				Basic screed, left; Basic screed, right			2123414
				Screed extension, left; Screed extension, right	0.75 m	telescoping	2123654
SB 300	03SB	404 - 9999		Basic screed, left; Basic screed, right			2000202
				Screed extension, left; Screed extension, right	1.0 m		2000269

SPRING STEEL STRIP							
Series code	Serial code	Series range	Screed version	Position	Extension	Version	Part no.
SB 300	03SB	404 - 9999		Screed extension, left; Screed extension, right	1.5 m		2000295
				Screed extension, left; Screed extension, right	0.25 m		4615106598
				Screed extension, left; Screed extension, right	0.5 m		4615106600
				Screed extension, left; Screed extension, right	0.75 m	telescoping	4615106711
SB 300-2	06SB	10 - 9999		Screed extension, left; Screed extension, right	0.25 m		2123464
				Screed extension, left; Screed extension, right	0.5 m		2123476
				Screed extension, left; Screed extension, right	1.0 m		2123488
				Screed extension, left; Screed extension, right	1.5 m		2123516
				Basic screed, left; Basic screed, right			2123526
				Screed extension, left; Screed extension, right	0.75 m	telescoping	2123654
AB 220	36AB	10 - 9999		Screed extension, left; Screed extension, right	0.5 m		2374772
				Basic screed, left			2369784
				Extending screed, left; Extending screed, right			2370536
				Screed extension, left; Screed extension, right	0.65 m		2376481





SPRING STEEL STRIP							
Series code	Serial code	Series range	Screed version	Position	Extension	Version	Part no.
AB 220	36AB	10 - 9999		Basic screed, right			2370371
SB 300-3	07SB	10 - 9999		Screed extension, left; Screed extension, right	0.5 m		2615333
				Basic screed, left; Basic screed, right			2596691
				Screed extension, left; Screed extension, right	1.0 m		2595583
				Screed extension, left; Screed extension, right	1.5 m		2596521
				Screed extension, left; Screed extension, right	0.25 m		2627093
				Screed extension, left; Screed extension, right	1.25 m	telescoping	2027338
SB 350-3	08SB	10 - 9999		Screed extension, left; Screed extension, right	1.0 m		2595583
				Screed extension, left; Screed extension, right	0.25 m		2627093
				Screed extension, left; Screed extension, right	0.5 m		2615333
				Screed extension, left; Screed extension, right	1.5 m		2596521
				Basic screed, left; Basic screed, right			2599284
				Screed extension, left; Screed extension, right	1.25 m	telescoping	2027338
SB 300-3	09SB	10 - 9999		Basic screed, left; Basic screed, right			2596691
				Screed extension, left; Screed extension, right	0.25 m		2627093

SPRING STEEL STRIP							
Series code	Serial code	Series range	Screed version	Position	Extension	Version	Part no.
SB 300-3	09SB	10 - 9999		Screed extension, left; Screed extension, right	1.0 m		2595583
				Screed extension, left; Screed extension, right	0.5 m		2615333
				Screed extension, left; Screed extension, right	1.25 m	telescoping	2027338
				Screed extension, left; Screed extension, right	1.5 m		2596521
SB 350-3	10SB	10 - 9999		Screed extension, left; Screed extension, right	1.5 m		2596521
				Basic screed, left; Basic screed, right			2599284
				Screed extension, left; Screed extension, right	1.25 m	telescoping	2027338
				Screed extension, left; Screed extension, right	1.0 m		2595583
				Screed extension, left; Screed extension, right	0.5 m		2615333
				Screed extension, left; Screed extension, right	0.25 m		2627093



## SLIDE RAILS AND SLIDING BLOCKS

VÖGELE slide rails and sliding blocks ensure that the paving process is highly precise. Perfectly compatible materials ensure that when lubricated regularly, the extending units remain free of play.



SLIDE RAILS AND SLIDING BLOCKS							
Series code	Serial code	Series range	Part	Extension	Version	Requirement	Part no.
AB 200	12AB	10 - 107	Sliding rail			2 pc.	2014112
		10 - 9999	Sliding block			2 pc.	2020401
						2 pc.	2020398
		108 - 9999	Sliding rail			2 pc.	2038101
AB 220-3	28AB	10 - 9999	Sliding rail			2 pc.	2369358
			Sliding block			4 pc.	2242347
AB 340	13AB	10 - 9999	Sliding rail			2 pc.	2043185
			Sliding block			2 pc.	2020401
						2 pc.	2020398
AB 340-3	27AB	10 - 9999	Sliding rail			2 pc.	2043185
			Sliding block			4 pc.	2242347
AB 480-3	29AB	10 - 9999	Sliding rail			2 pc.	2348328
			Sliding block			4 pc.	4607252006
AB 500	10AB	10 - 9999	Sliding rail			2 pc.	2009647
			Sliding block			4 pc.	4607252008
AB 500-2	14AB, 15AB	10 - 9999	Sliding rail			2 pc.	2009647
			Sliding block			4 pc.	4607252008
AB 500-3	23AB, 24AB	10 - 9999	Sliding rail			2 pc.	2228916
			Sliding block			4 pc.	4607252008
AB 600	11AB	10 - 9999	Sliding rail			2 pc.	2014773

SLIDE RAILS AND SLIDING BLOCKS							
Series code	Serial code	Series range	Part	Extension	Version	Requirement	Part no.
AB 600	11AB	10 - 9999	Sliding block			4 pc.	4607252008
AB 600-2	16AB, 17AB	10 - 9999	Sliding rail			2 pc.	2014773
			Sliding block			4 pc.	4607252008
AB 600-3	25AB, 26AB	10 - 9999	Sliding rail			2 pc.	2228918
			Sliding block			4 pc.	4607252008
VR 600-2	18AB	10 - 9999	Sliding rail			2 pc.	2014773
			Sliding block			4 pc.	4607252008
SB 250	02SB	10 - 9999	Sliding rail	0.75 m	telescoping	2 pc.	4615106642
			Sliding block	0.75 m	telescoping	4 pc.	4607252006
SB 250-2	05SB	10 - 9999	Sliding rail	0.75 m	telescoping	2 pc.	4615106642
			Sliding block	0.75 m	telescoping	4 pc.	4607252006
SB 300	03SB	10 - 9999	Sliding rail	0.75 m	telescoping	2 pc.	4615106642
			Sliding block	0.75 m	telescoping	4 pc.	4607252006
SB 300-2	06SB	10 - 9999	Sliding rail	0.75 m	telescoping	2 pc.	4615106642
			Sliding block	0.75 m	telescoping	4 pc.	4607252006
AB 220	36AB	10 - 9999	Sliding rail			2 pc.	2369358
			Sliding block			4 pc.	2242347



## GENERATORS

VÖGELE generators supply your screeds with the optimum amount of power.



GENERATORS						
Series code	Serial code	Part	Please note	Version	Power	Part no.
SUPER 700	0790	Generator			5 kW at idle/8.5 kW at full speed	2014354
		Generator voltage regulator			5 kW at idle/8.5 kW at full speed	2489382
SUPER 700-3	0890	Generator			5 kW at idle/8.5 kW at full speed	2705334
					5 kW at idle/8.5 kW at full speed	2702320
SUPER 700-3i	0890	Generator			5 kW at idle/8.5 kW at full speed	2705334
					5 kW at idle/8.5 kW at full speed	2702320
SUPER 800	0790	Generator			5 kW at idle/8.5 kW at full speed	2014354
		Generator voltage regulator			5 kW at idle/8.5 kW at full speed	2489382
SUPER 800-3	0890	Generator			5 kW at idle/8.5 kW at full speed	2705334
					5 kW at idle/8.5 kW at full speed	2702320
SUPER 800-3i	0890	Generator			5 kW at idle/8.5 kW at full speed	2705334
					5 kW at idle/8.5 kW at full speed	2702320
SUPER 700	0990	Generator			5 kW at idle/8.5 kW at full speed	2705334
					5 kW at idle/8.5 kW at full speed	2702320
SUPER 800	0990	Generator			5 kW at idle/8.5 kW at full speed	2705334
					5 kW at idle/8.5 kW at full speed	2702320
SUPER 700i	0990	Generator			5 kW at idle/8.5 kW at full speed	2705334
					5 kW at idle/8.5 kW at full speed	2702320
SUPER 800i	0990	Generator			5 kW at idle/8.5 kW at full speed	2705334
					5 kW at idle/8.5 kW at full speed	2702320

GENERATORS						
Series code	Serial code	Part	Please note	Version	Power	Part no.
SUPER 1100-2	0811	Generator	V-belt (driven), already pre-assembled		7 kW at idle/13 kW at full speed	2044135
		Generator voltage regulator			7 kW at idle/13 kW at full speed	2489377
SUPER 1100-3	1011	Generator	V-belt (driven), already pre-assembled		10 kW at idle/13 kW at full speed	2220310
		Generator voltage regulator			10 kW at idle/13 kW at full speed	2555497
	1411	Generator			10 kW at idle/13 kW at full speed	2702309
		Generator voltage regulator			10 kW at idle/13 kW at full speed	2555497
SUPER 1100-3i	1011	Generator	V-belt (driven), already pre-assembled		10 kW at idle/13 kW at full speed	2220310
		Generator voltage regulator			10 kW at idle/13 kW at full speed	2555497
	1411	Generator			10 kW at idle/13 kW at full speed	2702309
		Generator voltage regulator			10 kW at idle/13 kW at full speed	2555497
SUPER 1103-2	0911	Generator	V-belt (driven), already pre-assembled		7 kW at idle/13 kW at full speed	2044135
		Generator voltage regulator			7 kW at idle/13 kW at full speed	2489377
SUPER 1103-3	1111	Generator	V-belt (driven), already pre-assembled		10 kW at idle/13 kW at full speed	2220310
		Generator voltage regulator			10 kW at idle/13 kW at full speed	2555497
	1511	Generator			10 kW at idle/13 kW at full speed	2702309
		Generator voltage regulator			10 kW at idle/13 kW at full speed	2555497
SUPER 1103-3i	1111	Generator	V-belt (driven), already pre-assembled		10 kW at idle/13 kW at full speed	2220310
		Generator voltage regulator			10 kW at idle/13 kW at full speed	2555497
	1511	Generator			10 kW at idle/13 kW at full speed	2702309
		Generator voltage regulator			10 kW at idle/13 kW at full speed	2555497



GENERATORS						
Series code	Serial code	Part	Please note	Version	Power	Part no.
SUPER 1300-2	0811	Generator	V-belt (driven), already pre-assembled		7 kW at idle/13 kW at full speed	2044135
		Generator voltage regulator			7 kW at idle/13 kW at full speed	2489377
SUPER 1300-3	1011	Generator	V-belt (driven), already pre-assembled		10 kW at idle/13 kW at full speed	2220310
		Generator voltage regulator			10 kW at idle/13 kW at full speed	2555497
	1411	Generator			10 kW at idle/13 kW at full speed	2702309
		Generator voltage regulator			10 kW at idle/13 kW at full speed	2555497
SUPER 1300-3i	1011	Generator	V-belt (driven), already pre-assembled		10 kW at idle/13 kW at full speed	2220310
		Generator voltage regulator			10 kW at idle/13 kW at full speed	2555497
	1411	Generator			10 kW at idle/13 kW at full speed	2702309
		Generator voltage regulator			10 kW at idle/13 kW at full speed	2555497
SUPER 1303-2	0911	Generator	V-belt (driven), already pre-assembled		7 kW at idle/13 kW at full speed	2044135
		Generator voltage regulator			7 kW at idle/13 kW at full speed	2489377
SUPER 1303-3	1111	Generator	V-belt (driven), already pre-assembled		10 kW at idle/13 kW at full speed	2220310
		Generator voltage regulator			10 kW at idle/13 kW at full speed	2555497
	1511	Generator			10 kW at idle/13 kW at full speed	2702309
		Generator voltage regulator			10 kW at idle/13 kW at full speed	2555497
SUPER 1303-3i	1111	Generator	V-belt (driven), already pre-assembled		10 kW at idle/13 kW at full speed	2220310
		Generator voltage regulator			10 kW at idle/13 kW at full speed	2555497
	1511	Generator			10 kW at idle/13 kW at full speed	2702309
		Generator voltage regulator			10 kW at idle/13 kW at full speed	2555497
SUPER 1600-1	0782	Generator			22 kW at idle/36 kW at full speed	2112706

GENERATORS							
Series code	Serial code	Part	Please note	Version	Power	Part no.	
SUPER 1600-1	0782	Generator			27 kW at idle/44 kW at full speed	2112726	
					13 kW at idle/18 kW at full speed	2268452	
		Generator voltage regulator			13 kW at idle/18 kW at full speed	3515043283	
					22 kW at idle/36 kW at full speed; 27 kW at idle/44 kW at full speed	3515180021	
	0982	Generator	V-belt (driven), already pre-assembled	Standard		2026061	
			V-belt (driven), already pre-assembled	Power		2032544	
		Generator voltage regulator	V-belt (driven), already pre-assembled	Standard; Power		2489387	
	SUPER 1600-2	1182	Generator			22 kW at idle/36 kW at full speed	2112706
						27 kW at idle/44 kW at full speed	2112726
					13 kW at idle/18 kW at full speed	2268452	
Generator voltage regulator					13 kW at idle/18 kW at full speed	3515043283	
					22 kW at idle/36 kW at full speed; 27 kW at idle/44 kW at full speed	3515180021	
SUPER 1600-3	1582	Generator		Standard		2408851	
		Generator voltage regulator		Standard		2287963	
SUPER 1600-3i	1582	Generator		Standard		2408851	
		Generator voltage regulator		Standard		2287963	
SUPER 1603-1	0783	Generator			22 kW at idle/36 kW at full speed	2112706	
					13 kW at idle/18 kW at full speed	2268452	
		Generator voltage regulator			13 kW at idle/18 kW at full speed	3515043283	
					22 kW at idle/36 kW at full speed	3515180021	
SUPER 1603-2	0883	Generator			22 kW at idle/36 kW at full speed	2112706	
					13 kW at idle/18 kW at full speed	2268452	





GENERATORS							
Series code	Serial code	Part	Please note	Version	Power	Part no.	
SUPER 1603-2	0883	Generator voltage regulator			13 kW at idle/18 kW at full speed	3515043283	
					22 kW at idle/36 kW at full speed	3515180021	
SUPER 1603-3i	1183	Generator		Standard		2408851	
		Generator voltage regulator		Standard		2287963	
SUPER 1603-3	1183	Generator		Standard		2408851	
		Generator voltage regulator		Standard		2287963	
SUPER 1700-3	1982	Generator		Standard		2408851	
		Generator voltage regulator		Standard		2287963	
SUPER 1700-3i	1982	Generator		Standard		2408851	
		Generator voltage regulator		Standard		2287963	
SUPER 1703-3	1283	Generator		Standard		2408851	
		Generator voltage regulator		Standard		2287963	
SUPER 1703-3i	1283	Generator		Standard		2408851	
		Generator voltage regulator		Standard		2287963	
SUPER 1800-1	0782	Generator			22 kW at idle/36 kW at full speed	2112706	
					27 kW at idle/44 kW at full speed	2112726	
					13 kW at idle/18 kW at full speed	2268452	
	0982	Generator voltage regulator			22 kW at idle/36 kW at full speed; 27 kW at idle/44 kW at full speed	3515180021	
					13 kW at idle/18 kW at full speed	3515043283	
	0982	Generator	V-belt (driven), already pre-assembled		Standard		2026061
			V-belt (driven), already pre-assembled		Power		2032544
		Generator voltage regulator	V-belt (driven), already pre-assembled		Standard; Power	2489387	
SUPER 1800-2	1182	Generator			22 kW at idle/36 kW at full speed	2112706	



GENERATORS						
Series code	Serial code	Part	Please note	Version	Power	Part no.
SUPER 1800-2	1182	Generator			27 kW at idle/44 kW at full speed	2112726
					13 kW at idle/18 kW at full speed	2268452
		Generator voltage regulator			13 kW at idle/18 kW at full speed	3515043283
					22 kW at idle/36 kW at full speed; 27 kW at idle/44 kW at full speed	3515180021
SUPER 1800-3	1482	Generator		Power		2979914
				Standard		2979882
		Generator voltage regulator		Standard; Power		2222936
SUPER 1800-3i	1482	Generator		Power		2979914
				Standard		2979882
		Generator voltage regulator		Standard; Power		2222936
SUPER 1803-1	0783	Generator			22 kW at idle/36 kW at full speed	2112706
					13 kW at idle/18 kW at full speed	2268452
		Generator voltage regulator			13 kW at idle/18 kW at full speed	3515043283
					22 kW at idle/36 kW at full speed	3515180021
SUPER 1803-2	0883	Generator			22 kW at idle/36 kW at full speed	2112706
					13 kW at idle/18 kW at full speed	2268452
		Generator voltage regulator			13 kW at idle/18 kW at full speed	3515043283
					22 kW at idle/36 kW at full speed	3515180021
SUPER 1803-3	1083	Generator		Standard		2979882
		Generator voltage regulator		Standard		2222936
SUPER 1803-3i	1083	Generator		Standard		2979882
		Generator voltage regulator		Standard		2222936
SUPER 1900-2	0719	Generator			22 kW at idle/36 kW at full speed	2112569
			V-belt (driven), already pre-assembled			27 kW at idle/44 kW at full speed



GENERATORS						
Series code	Serial code	Part	Please note	Version	Power	Part no.
SUPER 1900-2	0719	Generator voltage regulator			22 kW at idle/36 kW at full speed; 27 kW at idle/44 kW at full speed	3515180021
SUPER 1900-3	0819	Generator		Standard		2979882
				Power		2979914
		Generator voltage regulator		Standard; Power		2222936
SUPER 1900-3i	0819	Generator		Standard		2979882
				Power		2979914
		Generator voltage regulator		Standard; Power		2222936
SUPER 2000-3	1174	Generator		Standard		2403721
		Generator voltage regulator		Standard		2372261
SUPER 2000-3i	1174	Generator		Standard		2403721
		Generator voltage regulator		Standard		2372261
SUPER 2003-3	0975	Generator		Standard		2403721
		Generator voltage regulator		Standard		2372261
SUPER 2003-3i	0975	Generator		Standard		2403721
		Generator voltage regulator		Standard		2372261
SUPER 2100-2	0719	Generator	V-belt (driven), already pre-assembled		22 kW at idle/36 kW at full speed	2112569
					27 kW at idle/44 kW at full speed	2112574
		Generator voltage regulator			22 kW at idle/36 kW at full speed; 27 kW at idle/44 kW at full speed	3515180021
SUPER 2100-2 IP	0719	Generator	V-belt (driven), already pre-assembled	Power		2112574
		Generator voltage regulator		Power		3515180021
SUPER 2100-3	0819	Generator		Standard		2979882
				Power		2979914
		Generator voltage regulator		Standard; Power		2222936

GENERATORS						
Series code	Serial code	Part	Please note	Version	Power	Part no.
SUPER 2100-3i	0819	Generator		Standard		2979882
				Power		2979914
		Generator voltage regulator		Standard; Power		2222936
SUPER 3000-2	0874	Generator		Power		2481085
		Generator voltage regulator		Power		2220300
SUPER 3000-3	1074	Generator		Power		2792104
		Generator voltage regulator		Power		2580523
SUPER 1800-2 SJ	1182	Generator			22 kW at idle/36 kW at full speed	2112706
					27 kW at idle/44 kW at full speed	2112726
					13 kW at idle/18 kW at full speed	2268452
		Generator voltage regulator			13 kW at idle/18 kW at full speed	3515043283
					22 kW at idle/36 kW at full speed; 27 kW at idle/44 kW at full speed	3515180021
SUPER 1800-3 SJ	1482	Generator		Power		2979914
				Standard		2979882
		Generator voltage regulator		Standard; Power		2222936
SUPER 1800-3i SJ	1482	Generator		Power		2979914
				Standard		2979882
		Generator voltage regulator		Standard; Power		2222936
MT 3000-2	0761	Generator		Standard		2150018
		Generator voltage regulator		Standard		2489376
MT 3000-3	0861	Generator		Standard		2321471
		Generator voltage regulator		Standard		2489375
MT 3000-3i	0861	Generator		Standard		2321471
		Generator voltage regulator		Standard		2489375



**SCREED PLATE**

VÖGELE screed plates are designed to wear evenly over the entire surface. The use of highly wear-resistant steel noticeably extends the service life of the screed plates and thus the operational readiness of your machine.



SCREED PLATE										
Series code	Serial code	Series range	Berm	Screed plate depth	Screed version	Position	Extension	Version	Part no.	
AB 200	12AB	10 - 546			V	Extending screed, left			2014140	
					V	Extending screed, right			2014137	
					V	Basic screed, left; Basic screed, right			2014155	
					V	Screed extension, left; Screed extension, right	0.35 m		2028016	
		10 - 9999				TV	Extending screed, left			2014140
						TV	Extending screed, right			2014137
						TV	Basic screed, left; Basic screed, right			2014155
						V	Screed extension, left; Screed extension, right	0.6 m		2057758

Original VÖGELE  
**SCREED**

SCREED PLATE									
Series code	Serial code	Series range	Berm	Screed plate depth	Screed version	Position	Extension	Version	Part no.
AB 200	12AB	10 - 9999			TV	Screed extension, left; Screed extension, right	0.6 m		2030798
					TV	Screed extension, left; Screed extension, right	0.35 m		2028016
		547 - 9999			V	Extending screed, right			2057420
					V	Extending screed, left			2057411
					V	Basic screed, left; Basic screed, right			2057184
					V	Screed extension, left; Screed extension, right	0.35 m		2057718
		AB 220-3	28AB	10 - 9999			TV	Screed extension, left; Screed extension, right	0.5 m
					V	Screed extension, left; Screed extension, right	0.5 m		2375523
					TV	Screed extension, left; Screed extension, right	0.65 m		2376221



SCREED PLATE									
Series code	Serial code	Series range	Berm	Screeed plate depth	Screeed version	Position	Extension	Version	Part no.
AB 220-3	28AB	10 - 9999			TV	Basic screed, left; Basic screed, right			2369071
					TV	Extending screed, left			2370689
					V	Extending screed, left			2370651
					V	Extending screed, right			2370668
					TV	Extending screed, right			2370688
					V	Basic screed, left; Basic screed, right			2370427
AB 340	13AB	10 - 9999			TV	Basic screed, left			2042760
					TV	Basic screed, right			2042924
					TV	Extending screed, left			2043503
					TV	Extending screed, right			2043504
					TV	Screed extension, left; Screed extension, right	0.55 m		2046968

Original VÖGELE  
**SCREED**

SCREED PLATE									
Series code	Serial code	Series range	Berm	Screed plate depth	Screed version	Position	Extension	Version	Part no.
AB 340	13AB	10 - 9999			V	Screed extension, left; Screed extension, right	0.4 m		2060829
					V	Basic screed, right			2060781
					V	Basic screed, left			2060797
					V	Extending screed, right			2060809
					V	Extending screed, left			2060812
					TV	Screed extension, left; Screed extension, right	0.4 m		2050862
AB 340-3	27AB	10 - 9999			TV	Basic screed, right			2042924
					TV	Extending screed, left			2043503
					TV	Extending screed, right			2043504
					TV	Screed extension, left; Screed extension, right	0.55 m		2046968
					TV	Screed extension, left; Screed extension, right	0.8 m		2066364





SCREED PLATE									
Series code	Serial code	Series range	Berm	Screeed plate depth	Screeed version	Position	Extension	Version	Part no.
AB 340-3	27AB	10 - 9999			V	Basic screed, right			2100925
					V	Basic screed, left			2243673
					V	Extending screed, right			2100931
					V	Screeed extension, left; Screeed extension, right	0.4 m		2134911
					TV	Screeed extension, left; Screeed extension, right	0.25 m		2158886
					V	Screeed extension, left; Screeed extension, right	0.25 m		2183855
					TV	Basic screed, left			2243191
					V	Extending screed, left			2100927
AB 480-3	29AB	10 - 9999			TV	Basic screed, left			2201289
					TV	Basic screed, right			2201290
					TV	Extending screed, left			2202435

SCREED PLATE									
Series code	Serial code	Series range	Berm	Screed plate depth	Screed version	Position	Extension	Version	Part no.
AB 480-3	29AB	10 - 9999			TV	Extending screed, right			2202445
					TV	Screed extension, right	0.6 m		2357159
					TV	Screed extension, left	0.75 m		2217007
					TV	Screed extension, right	0.75 m		2217013
					TV	Screed extension, left; Screed extension, right	0.25 m		2222229
					TV	Screed extension, left	0.6 m		2355463
					TV	Screed extension, left; Screed extension, right	1.25 m		2214303
AB 500	10AB	10 - 9999		330 mm	TV	Basic screed, left			2030819
				300 mm	TV; TP1; TP2	Screed extension, left; Screed extension, right	1.25 m		4602428228
				330 mm	TV	Extending screed, left			2030822
				330 mm	TV	Extending screed, right			2030823



SCREED PLATE									
Series code	Serial code	Series range	Berm	Screed plate depth	Screed version	Position	Extension	Version	Part no.
AB 500	10AB	10 - 9999		330 mm	TV	Screed extension, left	0.75 m		2031131
				330 mm	TV	Screed extension, right	0.75 m		2031132
				330 mm	TV	Screed extension, left; Screed extension, right	0.225 m		2032258
				300 mm	TV; TP1; TP2	Basic screed, left			4602426246
				300 mm	TV; TP1; TP2	Basic screed, right			4602426247
				300 mm	TV; TP1; TP2	Screed extension, left	0.75 m		4602426519
				300 mm	TV; TP1; TP2	Screed extension, right	0.75 m		4602426520
				300 mm	TV; TP1; TP2	Extending screed, left			4602427998
				300 mm	TV; TP1; TP2	Extending screed, right			4602427999
				300 mm	TV; TP1; TP2	Screed extension, left; Screed extension, right	0.225 m		4602428068
				330 mm	TV	Basic screed, right			2030820

SCREED PLATE									
Series code	Serial code	Series range	Berm	Screed plate depth	Screed version	Position	Extension	Version	Part no.
AB 500-2	14AB	10 - 9999			TV	Screed extension, left; Screed extension, right	0.25 m		2040876
					TV	Basic screed, left			2042535
					TV	Basic screed, right			2042536
					TV	Screed extension, left; Screed extension, right	1.25 m		2043248
					TV	Extending screed, right			2042539
					TV	Screed extension, left	0.75 m		2043246
					TV	Screed extension, right	0.75 m		2043247
					TV	Extending screed, left			2042538
	15AB	10 - 9999			TP1; TP2	Screed extension, left; Screed extension, right	0.25 m		2040876
					TP1; TP2	Basic screed, left			2042535
					TP1; TP2	Basic screed, right			2042536



SCREED PLATE									
Series code	Serial code	Series range	Berm	Screeed plate depth	Screeed version	Position	Extension	Version	Part no.
AB 500-2	15AB	10 - 9999			TP1; TP2	Screeed extension, left; Screeed extension, right	1.25 m		2043248
					TP1; TP2	Extending screeed, right			2042539
					TP1; TP2	Screeed extension, left	0.75 m		2043246
					TP1; TP2	Screeed extension, right	0.75 m		2043247
					TP1; TP2	Extending screeed, left			2042538
AB 500-3	23AB	10 - 9999			TV	Basic screeed, left			2201289
					TV	Basic screeed, right			2201290
					TV	Extending screeed, left			2202435
					TV	Screeed extension, left; Screeed extension, right	0.25 m		2222229
					TV	Screeed extension, left; Screeed extension, right	1.25 m		2214303
					TV	Screeed extension, left	0.75 m		2217007

SCREED PLATE									
Series code	Serial code	Series range	Berm	Screed plate depth	Screed version	Position	Extension	Version	Part no.
AB 500-3	23AB	10 - 9999			TV	Screed extension, right	0.75 m		2217013
					TV	Extending screed, right			2202445
	24AB	10 - 9999			TP1; TP2	Basic screed, left			2201289
					TP1; TP2	Basic screed, right			2201290
					TP1; TP2	Extending screed, left			2202435
					TP1; TP2	Screed extension, left; Screed extension, right	0.25 m		2222229
					TP1; TP2	Screed extension, left; Screed extension, right	1.25 m		2214303
					TP1; TP2	Screed extension, left	0.75 m		2217007
					TP1; TP2	Screed extension, right	0.75 m		2217013
					TP1; TP2	Extending screed, right			2202445
AB 600	11AB	10 - 9999		330 mm	TV	Basic screed, left			2031119



SCREED PLATE									
Series code	Serial code	Series range	Berm	Screed plate depth	Screed version	Position	Extension	Version	Part no.
AB 600	11AB	10 - 9999		300 mm	TV; TP1; TP2	Screed extension, left; Screed extension, right	1.25 m		4602428228
				330 mm	TV	Extending screed, left			2031125
				330 mm	TV	Extending screed, right			2031127
				330 mm	TV	Screed extension, left	0.75 m		2031131
				330 mm	TV	Screed extension, right	0.75 m		2031132
				330 mm	TV	Screed extension, left; Screed extension, right	0.225 m		2032258
				300 mm	TV; TP1; TP2	Screed extension, left	0.75 m		4602426519
				300 mm	TV; TP1; TP2	Screed extension, right	0.75 m		4602426520
				300 mm	TV; TP1; TP2	Screed extension, left; Screed extension, right	0.225 m		4602428068
				300 mm	TV; TP1; TP2	Basic screed, left			4602428170
				300 mm	TV; TP1; TP2	Basic screed, right			4602428171

SCREED PLATE									
Series code	Serial code	Series range	Berm	Screed plate depth	Screed version	Position	Extension	Version	Part no.
AB 600	11AB	10 - 9999		300 mm	TV; TP1; TP2	Extending screed, left			4602428173
				300 mm	TV; TP1; TP2	Extending screed, right			4602428174
				330 mm	TV	Basic screed, right			2031122
AB 600-2	16AB	10 - 9999			TV	Screed extension, left; Screed extension, right	0.25 m		2040876
					TV	Screed extension, left	0.75 m		2043246
					TV	Screed extension, right	0.75 m		2043247
					TV; TP1	Extending screed, right			2052893
					TV; TP1	Basic screed, left			2052858
					TV; TP1	Basic screed, right			2052859
					TV; TP1	Extending screed, left			2052887
					TV	Screed extension, left; Screed extension, right	1.25 m		2043248





SCREED PLATE									
Series code	Serial code	Series range	Berm	Screed plate depth	Screed version	Position	Extension	Version	Part no.
AB 600-2	17AB	10 - 9999			TP1; TP2	Screed extension, left; Screed extension, right	0.25 m		2040876
					TP1; TP2	Screed extension, left	0.75 m		2043246
					TP1; TP2	Screed extension, right	0.75 m		2043247
					TP2	Extending screed, right			2052893
					TP2	Basic screed, left			2052858
					TP2	Basic screed, right			2052859
					TP2	Extending screed, left			2052887
					TP1; TP2	Screed extension, left; Screed extension, right	1.25 m		2043248
AB 600-3	25AB	10 - 9999			TV	Basic screed, right			2211812
					TV	Basic screed, left			2211817
					TV	Extending screed, left			2211964

SCREED PLATE										
Series code	Serial code	Series range	Berm	Screed plate depth	Screed version	Position	Extension	Version	Part no.	
AB 600-3	25AB	10 - 9999			TV	Screed extension, left; Screed extension, right	0.25 m		2222229	
					TV	Screed extension, left; Screed extension, right	1.25 m		2214303	
					TV	Screed extension, left	0.75 m		2217007	
					TV	Screed extension, right	0.75 m		2217013	
					TV	Extending screed, right			2211967	
	26AB	10 - 9999			TP1; TP2	Basic screed, left				2211817
					TP1; TP2	Extending screed, left				2211964
					TP1; TP2	Extending screed, right				2211967
					TP1; TP2	Basic screed, right				2211812
					TP1; TP2	Screed extension, left	0.75 m			2217007
					TP1; TP2	Screed extension, right	0.75 m			2217013



SCREED PLATE									
Series code	Serial code	Series range	Berm	Screed plate depth	Screed version	Position	Extension	Version	Part no.
AB 600-3	26AB	10 - 9999			TP1; TP2	Screed extension, left; Screed extension, right	0.25 m		2222229
					TP1; TP2	Screed extension, left; Screed extension, right	1.25 m		2214303
VF 500-2	19AB	10 - 9999			V	Screed extension, left; Screed extension, right	0.305 m	90°	2169392
					V	Screed extension, left; Screed extension, right	0.61 m	60°	2561603
			with 305 mm berm		V	Extending screed, left			2460030
			with 305 mm berm		V	Extending screed, right			2460033
			with 457 mm berm		V	Extending screed, left			2460050
			with 457 mm berm		V	Extending screed, right			2460052
			with 610 mm berm		V	Extending screed, left			2460397
			with 610 mm berm		V	Extending screed, right			2460399

SCREED PLATE									
Series code	Serial code	Series range	Berm	Screed plate depth	Screed version	Position	Extension	Version	Part no.
VF 500-2	19AB	10 - 9999			V	Basic screed, left; Basic screed, right			2478970
			no berm, 60°		V	Extending screed, left			2504505
			no berm, 60°		V	Extending screed, right			2504583
			no berm, 90°		V	Extending screed, left			2527665
			no berm, 90°		V	Extending screed, right			2527716
					V	Screed extension, left; Screed extension, right	0.305 m	60°	2561166
					V	Screed extension, left; Screed extension, right	0.61 m	90°	2171115
VF 600-2	20AB	10 - 9999	with 305 mm berm		V	Extending screed, left			2460596
			with 305 mm berm		V	Extending screed, right			2460601
			with 457 mm berm		V	Extending screed, left			2460704
			with 457 mm berm		V	Extending screed, right			2460705



SCREED PLATE									
Series code	Serial code	Series range	Berm	Screed plate depth	Screed version	Position	Extension	Version	Part no.
VF 600-2	20AB	10 - 9999	with 610 mm berm		V	Extending screed, left			2460997
			with 610 mm berm		V	Extending screed, right			2461000
					V	Basic screed, left; Basic screed, right			2478991
			no berm, 60°		V	Extending screed, left			2523038
			no berm, 60°		V	Extending screed, right			2523085
			no berm, 90°		V	Extending screed, left			2527743
			no berm, 90°		V	Extending screed, right			2527746
					V	Screed extension, left; Screed extension, right	0.305 m	60°	2561166
					V	Screed extension, left; Screed extension, right	0.61 m	60°	2561603
					V	Screed extension, left; Screed extension, right	0.305 m	90°	2169392

SCREED PLATE									
Series code	Serial code	Series range	Berm	Screed plate depth	Screed version	Position	Extension	Version	Part no.
VF 600-2	20AB	10 - 9999			V	Screed extension, left; Screed extension, right	0.61 m	90°	2171115
VR 600-2	18AB	10 - 9999			V	Basic screed, right			2171789
					V	Basic screed, left			2171786
					V	Screed extension, right	0.65 m		2126171
					V	Screed extension, left	0.65 m		2123601
					V	Extending screed, right			2120665
					V	Extending screed, left			2119871
SB 250	02SB	10 - 9999				Screed extension, right	0.75 m	telescoping	4602425220
						Screed extension, left; Screed extension, right	0.25 m		4602418642
						Basic screed, left			4602418916
						Basic screed, right			4602418917
						Screed extension, left	0.75 m	telescoping	4602425219



SCREED PLATE									
Series code	Serial code	Series range	Berm	Screed plate depth	Screed version	Position	Extension	Version	Part no.
SB 250	02SB	10 - 9999				Screed extension, right	1.0 m		4602418087
						Screed extension, left; Screed extension, right	0.5 m		4602418098
						Screed extension, left	1.0 m		4602418086
						Screed extension, right	1.5 m		4602418085
						Screed extension, left	1.5 m		4602418084
SB 250-2	05SB	10 - 9999				Basic screed, left			4602418916
						Basic screed, right			4602418917
						Screed extension, left	0.75 m	telescoping	4602425219
						Screed extension, right	0.75 m	telescoping	4602425220
						Screed extension, right	1.5 m		4602418085
						Screed extension, left; Screed extension, right	0.25 m		4602418642

SCREED PLATE									
Series code	Serial code	Series range	Berm	Screed plate depth	Screed version	Position	Extension	Version	Part no.
SB 250-2	05SB	10 - 9999				Screed extension, left; Screed extension, right	0.5 m		4602418098
						Screed extension, right	1.0 m		4602418087
						Screed extension, left	1.0 m		4602418086
						Screed extension, left	1.5 m		4602418084
SB 300	03SB	10 - 9999				Screed extension, right	0.75 m	telescoping	4602425220
						Screed extension, left	0.75 m	telescoping	4602425219
						Screed extension, left; Screed extension, right	0.25 m		4602418642
						Screed extension, left; Screed extension, right	0.5 m		4602418098
						Screed extension, right	1.0 m		4602418087
						Screed extension, left	1.0 m		4602418086
						Screed extension, right	1.5 m		4602418085





SCREED PLATE									
Series code	Serial code	Series range	Berm	Screeed plate depth	Screeed version	Position	Extension	Version	Part no.
SB 300	03SB	10 - 9999				Basic screed, right			4602418083
						Basic screed, left			4602418082
						Screeed extension, left	1.5 m		4602418084
SB 300-2	06SB	10 - 9999				Screeed extension, left; Screeed extension, right	0.5 m		4602418098
						Screeed extension, left	1.0 m		4602418086
						Screeed extension, right	1.5 m		4602418085
						Screeed extension, left	1.5 m		4602418084
						Screeed extension, right	1.0 m		4602418087
						Basic screed, left			4602418082
						Screeed extension, right	0.75 m	telescoping	4602425220
						Screeed extension, left; Screeed extension, right	0.25 m		4602418642
						Screeed extension, left	0.75 m	telescoping	4602425219

SCREED PLATE									
Series code	Serial code	Series range	Berm	Screed plate depth	Screed version	Position	Extension	Version	Part no.
SB 300-2	06SB	10 - 9999				Basic screed, right			4602418083
VF 500-3	30AB	10 - 9999	no berm, 60°		V	Extending screed, right			2504583
			no berm, 60°		V	Extending screed, left			2504505
					V	Basic screed, left; Basic screed, right			2669627
					V	Screed extension, left; Screed extension, right	0.305 m	60°	2561166
					V	Screed extension, left; Screed extension, right	0.61 m	60°	2561603
VF 600-3	31AB	10 - 9999			V	Screed extension, left; Screed extension, right	0.61 m	60°	2561603
					V	Basic screed, left; Basic screed, right			2647410
			no berm, 60°		V	Extending screed, right			2523085
					V	Screed extension, left; Screed extension, right	0.305 m	60°	2561166



SCREED PLATE									
Series code	Serial code	Series range	Berm	Screeed plate depth	Screeed version	Position	Extension	Version	Part no.
VF 600-3	31AB	10 - 9999			V	Extending screed, left			2523035
AB 220	36AB	10 - 9999			TV	Extending screed, left			2370689
					TV	Extending screed, right			2370688
					V	Extending screed, right			2370668
					V	Extending screed, left			2370651
					V	Basic screed, left; Basic screed, right			2370427
					TV	Basic screed, left; Basic screed, right			2369071
					TV	Screed extension, left; Screed extension, right	0.5 m		2374066
					TV	Screed extension, left; Screed extension, right	0.25 m		2502903
					V	Screed extension, left; Screed extension, right	0.25 m		2503787

Original VÖGELE  
**SCREED**

SCREED PLATE									
Series code	Serial code	Series range	Berm	Screeed plate depth	Screeed version	Position	Extension	Version	Part no.
AB 220	36AB	10 - 9999			TV	Screeed extension, left; Screeed extension, right	0.65 m		2376221
					V	Screeed extension, left; Screeed extension, right	0.5 m		2375523
SB 300-3	07SB	10 - 9999				Basic screeed, left			2600739
						Basic screeed, right			2600806
						Screeed extension, left; Screeed extension, right	0.25 m		2625424
						Screeed extension, left; Screeed extension, right	0.5 m		2613999
						Screeed extension, left; Screeed extension, right	1.0 m		2670833
						Screeed extension, right	1.25 m	telescoping	2202445
					Telescoping extension 1 m to 1.25 m	Screeed extension, right	1.0 m		2762794
						Screeed extension, left	1.25 m	telescoping	2202435



SCREED PLATE									
Series code	Serial code	Series range	Berm	Screed plate depth	Screed version	Position	Extension	Version	Part no.
SB 300-3	07SB	10 - 9999			Telescoping extension 1.5 m to 1.25 m	Screed extension, right	1.5 m		2763043
					Telescoping extension 1.5 m to 1.25 m	Screed extension, left	1.5 m		2763031
						Screed extension, left; Screed extension, right	1.5 m		2670995
					Telescoping extension 1 m to 1.25 m	Screed extension, left	1.0 m		2762784
SB 350-3	08SB	10 - 9999				Screed extension, left	1.25 m	telescoping	2202435
						Screed extension, right	1.25 m	telescoping	2202445
						Basic screed, left			2609135
						Basic screed, right			2609144
						Screed extension, left; Screed extension, right	0.25 m		2625424
						Screed extension, left; Screed extension, right	0.5 m		2613999
						Screed extension, left; Screed extension, right	1.0 m		2670833

SCREED PLATE									
Series code	Serial code	Series range	Berm	Screed plate depth	Screed version	Position	Extension	Version	Part no.
SB 350-3	08SB	10 - 9999			Telescoping extension 1 m to 1.25 m	Screed extension, left	1.0 m		2762784
					Telescoping extension 1 m to 1.25 m	Screed extension, right	1.0 m		2762794
						Screed extension, left; Screed extension, right	1.5 m		2670995
					Telescoping extension 1.5 m to 1.25 m	Screed extension, left	1.5 m		2763031
					Telescoping extension 1.5 m to 1.25 m	Screed extension, right	1.5 m		2763043
SB 300-3	09SB	10 - 9999				Screed extension, left; Screed extension, right	1.5 m		2670995
					Telescoping extension 1 m to 1.25 m	Screed extension, right	1.0 m		2762794
					Telescoping extension 1 m to 1.25 m	Screed extension, left	1.0 m		2762784
						Screed extension, left; Screed extension, right	1.0 m		2670833
						Screed extension, left; Screed extension, right	0.5 m		2613999
				Telescoping extension 1.5 m to 1.25 m	Screed extension, left	1.5 m		2763031	



SCREED PLATE									
Series code	Serial code	Series range	Berm	Screed plate depth	Screed version	Position	Extension	Version	Part no.
SB 300-3	09SB	10 - 9999				Basic screed, right			2600806
						Basic screed, left			2600739
						Screed extension, right	1.25 m	telescoping	2202445
						Screed extension, left	1.25 m	telescoping	2202435
					Telescoping extension 1.5 m to 1.25 m	Screed extension, right	1.5 m		2763043
						Screed extension, left; Screed extension, right	0.25 m		2625424
SB 350-3	10SB	10 - 9999				Screed extension, left; Screed extension, right	1.5 m		2670995
					Telescoping extension 1 m to 1.25 m	Screed extension, right	1.0 m		2762794
					Telescoping extension 1 m to 1.25 m	Screed extension, left	1.0 m		2762784
						Screed extension, left; Screed extension, right	1.0 m		2670833
						Screed extension, left; Screed extension, right	0.5 m		2613999

Original VÖGELE  
**SCREED**

SCREED PLATE									
Series code	Serial code	Series range	Berm	Screed plate depth	Screed version	Position	Extension	Version	Part no.
SB 350-3	10SB	10 - 9999				Screed extension, left; Screed extension, right	0.25 m		2625424
						Basic screed, right			2609144
						Basic screed, left			2609135
						Screed extension, right	1.25 m	telescoping	2202445
					Telescoping extension 1.5 m to 1.25 m	Screed extension, left	1.5 m		2763031
					Telescoping extension 1.5 m to 1.25 m	Screed extension, right	1.5 m		2763043
						Screed extension, left	1.25 m	telescoping	2202435





## HEATING RODS

VÖGELE heating rods for tamper bars, pressure bars and screed plates are a central element of the electric screed heating system. Their ease of installation makes maintenance and replacement easier.



HEATING RODS				
Series code	Serial code	Series range	Details	Part no.
AB 200	12AB	10 - 546	<b>Requirement   Type   Screed version</b> 4 pc.   for screed plate   V	2013521
			<b>Requirement   Type   Extension   Screed version</b> 2 pc.   for screed plate   0.35 m   V	2014017
		10 - 9999	<b>Requirement   Type   Extension   Screed version</b> 2 pc.   for screed plate   0.6 m   TV	2030954
			<b>Requirement   Type   Extension   Screed version</b> 2 pc.   for tamper bar and pressure bar   0.6 m   TV	2030992
			<b>Requirement   Type   Screed version</b> 4 pc.   for tamper bar and pressure bar   TV	2013523
			<b>Requirement   Type   Extension   Screed version</b> 2 pc.   for screed plate   0.35 m   TV	2014017
			<b>Requirement   Type   Extension   Screed version</b> 2 pc.   for tamper bar and pressure bar   0.35 m   TV	2014019
			<b>Requirement   Type   Screed version</b> 4 pc.   for screed plate   TV	2013521
			<b>Requirement   Type   Extension   Screed version</b> 2 pc.   for screed plate   0.6 m   V	2057080
			547 - 9999	<b>Requirement   Type   Extension   Screed version</b> 2 pc.   for screed plate   0.35 m   V
		<b>Requirement   Type   Screed version</b> 4 pc.   for screed plate   V		2057071
		AB 220-3	28AB	10 - 9999
<b>Requirement   Type   Screed version</b> 4 pc.   for screed plate   TV	2342131			
<b>Requirement   Type   Screed version</b> 4 pc.   for tamper bar and pressure bar   TV	2368902			
<b>Requirement   Type   Extension   Screed version</b> 2 pc.   for screed plate   0.65 m   TV	2376443			
<b>Requirement   Type   Extension   Screed version</b> 2 pc.   for tamper bar and pressure bar   0.5 m   TV	2374683			
<b>Requirement   Type   Extension   Screed version</b> 2 pc.   for screed plate   0.5 m   V	2375552			
<b>Requirement   Type   Extension   Screed version</b> 2 pc.   for tamper bar and pressure bar   0.65 m   TV	2376402			
<b>Requirement   Type   Extension   Screed version</b> 2 pc.   for screed plate   0.5 m   TV	2372972			
AB 340	13AB	10 - 9999	<b>Requirement   Type   Extension   Screed version</b> 2 pc.   for screed plate   0.55 m   TV	2047175



Original VÖGELE  
**SCREED**

HEATING RODS						
Series code	Serial code	Series range	Details	Part no.		
AB 340	13AB	10 - 9999	<b>Requirement   Type   Extension   Screed version</b> 2 pc.   for screed plate   0.4 m   TV	2051149		
			<b>Requirement   Type   Extension   Screed version</b> 2 pc.   for screed plate   0.4 m   V	2060750		
			<b>Requirement   Type   Screed version</b> 4 pc.   for screed plate   V	2060753		
			<b>Requirement   Type   Screed version</b> 4 pc.   for tamper bar and pressure bar   TV	2044960		
			<b>Requirement   Type   Extension   Screed version</b> 2 pc.   for tamper bar and pressure bar   0.55 m   TV	2047003		
			<b>Requirement   Type   Extension   Screed version</b> 2 pc.   for tamper bar and pressure bar   0.4 m   TV	2051126		
			<b>Requirement   Type   Screed version</b> 4 pc.   for screed plate   TV	2043840		
		402 - 9999	<b>Requirement   Type   Extension   Screed version</b> 2 pc.   for tamper bar and pressure bar   0.8 m   TV	2067126		
			<b>Requirement   Type   Extension   Screed version</b> 2 pc.   for screed plate   0.8 m   TV	2067119		
		623 - 9999	<b>Requirement   Type   Extension   Screed version</b> 2 pc.   for screed plate   0.25 m   TV	2158785		
			<b>Requirement   Type   Extension   Screed version</b> 2 pc.   for tamper bar and pressure bar   0.25 m   TV	2157593		
			<b>Requirement   Type   Extension   Screed version</b> 2 pc.   for screed plate   0.25 m   V	2158785		
		AB 340-3	27AB	10 - 9999	<b>Requirement   Type   Screed version</b> 4 pc.   for tamper bar and pressure bar   TV	2044960
					<b>Requirement   Type   Extension   Screed version</b> 2 pc.   for tamper bar and pressure bar   0.55 m   TV	2047003
<b>Requirement   Type   Extension   Screed version</b> 2 pc.   for screed plate   0.55 m   TV	2047175					
<b>Requirement   Type   Extension   Screed version</b> 2 pc.   for screed plate   0.4 m   V	2060750					
<b>Requirement   Type   Screed version</b> 4 pc.   for screed plate   TV	2275932					
<b>Requirement   Type   Extension   Screed version</b> 2 pc.   for screed plate   0.25 m   V; 2 pc.   for screed plate   0.25 m   TV	2158785					
<b>Requirement   Type   Extension   Screed version</b> 2 pc.   for screed plate   0.8 m   TV	2255038					
<b>Requirement   Type   Extension   Screed version</b> 2 pc.   for tamper bar and pressure bar   0.8 m   TV	2255040					
<b>Requirement   Type   Screed version</b> 4 pc.   for screed plate   V	2275929					
<b>Requirement   Type   Extension   Screed version</b> 2 pc.   for tamper bar and pressure bar   0.25 m   TV	2157593					
AB 480-3	29AB				10 - 9999	<b>Requirement   Type   Extension   Screed version</b> 4 pc.   for tamper bar and pressure bar     TV; 2 pc.   for tamper bar and pressure bar   1.25 m   TV
		<b>Requirement   Type   Extension   Screed version</b> 2 pc.   for tamper bar and pressure bar   0.75 m   TV	2035055			



HEATING RODS				
Series code	Serial code	Series range	Details	Part no.
AB 480-3	29AB	10 - 9999	<b>Requirement   Type   Extension   Screed version   Position</b> 1 pc.   for screed plate     TV   Basic screed, left; 1 pc.   for screed plate     TV   Extending screed, right; 1 pc.   for screed plate   1.25 m   TV   left	2035986
			<b>Requirement   Type   Extension   Screed version   Position</b> 1 pc.   for screed plate     TV   Basic screed, right; 1 pc.   for screed plate     TV   Extending screed, left; 1 pc.   for screed plate   1.25 m   TV   right	2035992
			<b>Requirement   Type   Extension   Screed version   Position</b> 1 pc.   for screed plate   0.75 m   TV   left	2036690
			<b>Requirement   Type   Extension   Screed version   Position</b> 1 pc.   for screed plate   0.6 m   TV   left	2358768
			<b>Requirement   Type   Extension   Screed version</b> 2 pc.   for tamper bar and pressure bar   0.25 m   TV	2041147
			<b>Requirement   Type   Extension   Screed version   Position</b> 1 pc.   for screed plate   0.25 m   TV   left	2041149
			<b>Requirement   Type   Extension   Screed version   Position</b> 1 pc.   for screed plate   0.25 m   TV   right	2041151
			<b>Requirement   Type   Extension   Screed version</b> 2 pc.   for tamper bar and pressure bar   0.6 m   TV	2347597
			<b>Requirement   Type   Extension   Screed version   Position</b> 1 pc.   for screed plate   0.6 m   TV   right	2358763
			<b>Requirement   Type   Extension   Screed version   Position</b> 1 pc.   for screed plate   0.75 m   TV   right	2036728
AB 500	10AB	10 - 9999	<b>Requirement   Type   Screed version</b> 4 pc.   for screed plate   TV	4608150166
			<b>Requirement   Use   Extension   Screed version</b> 2 pc.   Additional heating rod for increased heating power for screed extensions   1.25 m   TV; 2 pc.   Additional heating rod for increased heating power for screed extensions   1.25 m   TP1; 2 pc.   Additional heating rod for increased heating power for screed extensions   1.25 m   TP2	4608150211
			<b>Requirement   Type   Extension   Screed version</b> 4 pc.   for tamper bar and pressure bar     TV; 4 pc.   for tamper bar and pressure bar   1.25 m   TP1; 8 pc.   for tamper bar and pressure bar     TP1; 12 pc.   for tamper bar and pressure bar     TP2; 2 pc.   for tamper bar and pressure bar   1.25 m   TV; 6 pc.   for tamper bar and pressure bar   1.25 m   TP2	4608150169
			<b>Requirement   Type   Extension   Screed version</b> 2 pc.   for screed plate   0.75 m   TV	4608150170
			<b>Requirement   Use   Extension   Screed version</b> 2 pc.   Additional heating rod for increased heating power for screed extensions   0.75 m   TV; 2 pc.   Additional heating rod for increased heating power for screed extensions   0.75 m   TP1; 2 pc.   Additional heating rod for increased heating power for screed extensions   0.75 m   TP2	4608150171



HEATING RODS				
Series code	Serial code	Series range	Details	Part no.
AB 500	10AB	10 - 9999	<b>Requirement   Type   Extension   Screed version</b> 2 pc.   for screed plate   0.75 m   TP2	4608150172
			<b>Requirement   Type   Extension   Screed version</b> 2 pc.   for tamper bar and pressure bar   0.75 m   TV; 4 pc.   for tamper bar and pressure bar   0.75 m   TP1; 6 pc.   for tamper bar and pressure bar   0.75 m   TP2	4608150174
			<b>Requirement   Type   Extension   Screed version</b> 2 pc.   for tamper bar and pressure bar   0.225 m   TV; 4 pc.   for tamper bar and pressure bar   0.225 m   TP1; 6 pc.   for tamper bar and pressure bar   0.225 m   TP2	4608150189
			<b>Requirement   Type   Screed version</b> 4 pc.   for screed plate   TP1; 4 pc.   for screed plate   TP2	4608150190
			<b>Requirement   Type   Extension   Screed version</b> 2 pc.   for screed plate   0.75 m   TP1	4608150191
			<b>Requirement   Use   Screed version</b> 4 pc.   Additional heating rod for increased heating power for screeds   TV; 4 pc.   Additional heating rod for increased heating power for screeds   TP1; 4 pc.   Additional heating rod for increased heating power for screeds   TP2	4608150192
			<b>Requirement   Use   Extension   Screed version</b> 2 pc.   Additional heating rod for increased heating power for screed extensions   0.75 m   TV; 2 pc.   Additional heating rod for increased heating power for screed extensions   0.75 m   TP1; 2 pc.   Additional heating rod for increased heating power for screed extensions   0.75 m   TP2	4608150193
			<b>Requirement   Type   Extension   Screed version</b> 2 pc.   for screed plate   0.225 m   TV; 2 pc.   for screed plate   0.225 m   TP1; 2 pc.   for screed plate   0.225 m   TP2	4608150195
			<b>Requirement   Type   Extension   Screed version</b> 2 pc.   for screed plate   1.25 m   TV; 2 pc.   for screed plate   1.25 m   TP1; 2 pc.   for screed plate   1.25 m   TP2	4608150204
			<b>Requirement   Use   Extension   Screed version</b> 2 pc.   Additional heating rod for increased heating power for screed extensions   1.25 m   TV; 2 pc.   Additional heating rod for increased heating power for screed extensions   1.25 m   TP1; 2 pc.   Additional heating rod for increased heating power for screed extensions   1.25 m   TP2	4608150209
			<b>Requirement   Use   Screed version</b> 4 pc.   Additional heating rod for increased heating power for screeds   TV; 4 pc.   Additional heating rod for increased heating power for screeds   TP1; 4 pc.   Additional heating rod for increased heating power for screeds   TP2	4608150167
AB 500-2	14AB	10 - 9999	<b>Requirement   Type   Extension   Screed version</b> 4 pc.   for tamper bar and pressure bar     TV; 2 pc.   for tamper bar and pressure bar   1.25 m   TV	2035050



HEATING RODS				
Series code	Serial code	Series range	Details	Part no.
AB 500-2	14AB	10 - 9999	<b>Requirement   Type   Extension   Screed version</b> 2 pc.   for tamper bar and pressure bar   0.75 m   TV	2035055
			<b>Requirement   Type   Extension   Screed version   Position</b> 1 pc.   for screed plate     TV   Basic screed, left; 1 pc.   for screed plate     TV   Extending screed, right; 1 pc.   for screed plate   1.25 m   TV   left	2035986
			<b>Requirement   Type   Extension   Screed version   Position</b> 1 pc.   for screed plate     TV   Basic screed, right; 1 pc.   for screed plate     TV   Extending screed, left; 1 pc.   for screed plate   1.25 m   TV   right	2035992
			<b>Requirement   Type   Extension   Screed version   Position</b> 1 pc.   for screed plate   0.25 m   TV   right	2041151
			<b>Requirement   Type   Extension   Screed version   Position</b> 1 pc.   for screed plate   0.75 m   TV   right	2036728
			<b>Requirement   Type   Extension   Screed version</b> 2 pc.   for tamper bar and pressure bar   0.25 m   TV	2041147
			<b>Requirement   Type   Extension   Screed version   Position</b> 1 pc.   for screed plate   0.25 m   TV   left	2041149
			<b>Requirement   Type   Extension   Screed version   Position</b> 1 pc.   for screed plate   0.75 m   TV   left	2036690
	15AB	10 - 9999	<b>Requirement   Type   Extension   Screed version</b> 8 pc.   for tamper bar and pressure bar     TP1; 12 pc.   for tamper bar and pressure bar     TP2; 4 pc.   for tamper bar and pressure bar   1.25 m   TP1; 6 pc.   for tamper bar and pressure bar   1.25 m   TP2	2035050
			<b>Requirement   Type   Extension   Screed version</b> 4 pc.   for tamper bar and pressure bar   0.75 m   TP1; 6 pc.   for tamper bar and pressure bar   0.75 m   TP2	2035055
			<b>Requirement   Type   Extension   Screed version   Position</b> 1 pc.   for screed plate     TP   Basic screed, left; 1 pc.   for screed plate     TP   Extending screed, right; 1 pc.   for screed plate   1.25 m   TP1   left; 1 pc.   for screed plate   1.25 m   TP2   left	2035986
			<b>Requirement   Type   Extension   Screed version   Position</b> 1 pc.   for screed plate     TP   Basic screed, right; 1 pc.   for screed plate     TP   Extending screed, left; 1 pc.   for screed plate   1.25 m   TP1   right; 1 pc.   for screed plate   1.25 m   TP2   right	2035992
			<b>Requirement   Type   Extension   Screed version   Position</b> 1 pc.   for screed plate   0.25 m   TP1   right; 1 pc.   for screed plate   0.25 m   TP2   right	2041151
			<b>Requirement   Type   Extension   Screed version   Position</b> 1 pc.   for screed plate   0.75 m   TP1   right; 1 pc.   for screed plate   0.75 m   TP2   right	2036728

Original VÖGELE  
**SCREED**

HEATING RODS				
Series code	Serial code	Series range	Details	Part no.
AB 500-2	15AB	10 - 9999	<b>Requirement   Type   Extension   Screed version</b> 4 pc.   for tamper bar and pressure bar   0.25 m   TP1; 6 pc.   for tamper bar and pressure bar   0.25 m   TP2	2041147
			<b>Requirement   Type   Extension   Screed version   Position</b> 1 pc.   for screed plate   0.25 m   TP1   left; 1 pc.   for screed plate   0.25 m   TP2   left	2041149
			<b>Requirement   Type   Extension   Screed version   Position</b> 1 pc.   for screed plate   0.75 m   TP1   left; 1 pc.   for screed plate   0.75 m   TP2   left	2036690
AB 500-3	23AB	10 - 9999	<b>Requirement   Type   Extension   Screed version</b> 4 pc.   for tamper bar and pressure bar     TV; 2 pc.   for tamper bar and pressure bar   1.25 m   TV	2035050
			<b>Requirement   Type   Extension   Screed version</b> 2 pc.   for tamper bar and pressure bar   0.75 m   TV	2035055
			<b>Requirement   Type   Extension   Screed version   Position</b> 1 pc.   for screed plate     TV   Basic screed, left; 1 pc.   for screed plate     TV   Extending screed, right; 1 pc.   for screed plate   1.25 m   TV   left	2035986
			<b>Requirement   Type   Extension   Screed version   Position</b> 1 pc.   for screed plate     TV   Basic screed, right; 1 pc.   for screed plate     TV   Extending screed, left; 1 pc.   for screed plate   1.25 m   TV   right	2035992
			<b>Requirement   Type   Extension   Screed version   Position</b> 1 pc.   for screed plate   0.25 m   TV   right	2041151
			<b>Requirement   Type   Extension   Screed version   Position</b> 1 pc.   for screed plate   0.75 m   TV   right	2036728
			<b>Requirement   Type   Extension   Screed version</b> 2 pc.   for tamper bar and pressure bar   0.25 m   TV	2041147
	24AB	10 - 9999	<b>Requirement   Type   Extension   Screed version   Position</b> 1 pc.   for screed plate   0.25 m   TV   left	2041149
			<b>Requirement   Type   Extension   Screed version   Position</b> 1 pc.   for screed plate   0.75 m   TV   left	2036690
			<b>Requirement   Type   Extension   Screed version</b> 8 pc.   for tamper bar and pressure bar     TP1; 12 pc.   for tamper bar and pressure bar     TP2; 4 pc.   for tamper bar and pressure bar   1.25 m   TP1; 6 pc.   for tamper bar and pressure bar   1.25 m   TP2	2035050
			<b>Requirement   Type   Extension   Screed version</b> 4 pc.   for tamper bar and pressure bar   0.75 m   TP1; 6 pc.   for tamper bar and pressure bar   0.75 m   TP2	2035055
			<b>Requirement   Type   Extension   Screed version   Position</b> 1 pc.   for screed plate     TP   Basic screed, left; 1 pc.   for screed plate     TP   Extending screed, right; 1 pc.   for screed plate   1.25 m   TP1   left; 1 pc.   for screed plate   1.25 m   TP2   left	2035986



HEATING RODS				
Series code	Serial code	Series range	Details	Part no.
AB 500-3	24AB	10 - 9999	<b>Requirement   Type   Extension   Screed version   Position</b> 1 pc.   for screed plate     TP   Basic screed, right; 1 pc.   for screed plate     TP   Extending screed, left; 1 pc.   for screed plate   1.25 m   TP1   right; 1 pc.   for screed plate   1.25 m   TP2   right	2035992
			<b>Requirement   Type   Extension   Screed version   Position</b> 1 pc.   for screed plate   0.25 m   TP1   right; 1 pc.   for screed plate   0.25 m   TP2   right	2041151
			<b>Requirement   Type   Extension   Screed version   Position</b> 1 pc.   for screed plate   0.75 m   TP1   right; 1 pc.   for screed plate   0.75 m   TP2   right	2036728
			<b>Requirement   Type   Extension   Screed version</b> 4 pc.   for tamper bar and pressure bar   0.25 m   TP1; 6 pc.   for tamper bar and pressure bar   0.25 m   TP2	2041147
			<b>Requirement   Type   Extension   Screed version   Position</b> 1 pc.   for screed plate   0.25 m   TP1   left; 1 pc.   for screed plate   0.25 m   TP2   left	2041149
			<b>Requirement   Type   Extension   Screed version   Position</b> 1 pc.   for screed plate   0.75 m   TP1   left; 1 pc.   for screed plate   0.75 m   TP2   left	2036690
AB 600	11AB	10 - 9999	<b>Requirement   Type   Extension   Screed version</b> 2 pc.   for tamper bar and pressure bar   1.25 m   TV; 4 pc.   for tamper bar and pressure bar   1.25 m   TP1; 6 pc.   for tamper bar and pressure bar   1.25 m   TP2	4608150169
			<b>Requirement   Use   Extension   Screed version</b> 2 pc.   Additional heating rod for increased heating power for screed extensions   1.25 m   TV; 2 pc.   Additional heating rod for increased heating power for screed extensions   1.25 m   TP1; 2 pc.   Additional heating rod for increased heating power for screed extensions   1.25 m   TP2	4608150211
			<b>Requirement   Use   Extension   Screed version</b> 2 pc.   Additional heating rod for increased heating power for screed extensions   0.75 m   TV; 2 pc.   Additional heating rod for increased heating power for screed extensions   0.75 m   TP1; 2 pc.   Additional heating rod for increased heating power for screed extensions   0.75 m   TP2	4608150171
			<b>Requirement   Type   Extension   Screed version</b> 2 pc.   for screed plate   0.75 m   TP2	4608150172
			<b>Requirement   Type   Extension   Screed version</b> 2 pc.   for tamper bar and pressure bar   0.75 m   TV; 4 pc.   for tamper bar and pressure bar   0.75 m   TP1; 6 pc.   for tamper bar and pressure bar   0.75 m   TP2	4608150174



HEATING RODS				
Series code	Serial code	Series range	Details	Part no.
AB 600	11AB	10 - 9999	<b>Requirement   Type   Extension   Screed version</b> 2 pc.   for tamper bar and pressure bar   0.225 m   TV; 4 pc.   for tamper bar and pressure bar   0.225 m   TP1; 6 pc.   for tamper bar and pressure bar   0.225 m   TP2	4608150189
			<b>Requirement   Type   Extension   Screed version</b> 2 pc.   for screed plate   0.75 m   TP1	4608150191
			<b>Requirement   Use   Extension   Screed version</b> 2 pc.   Additional heating rod for increased heating power for screed extensions   0.75 m   TV; 2 pc.   Additional heating rod for increased heating power for screed extensions   0.75 m   TP1; 2 pc.   Additional heating rod for increased heating power for screed extensions   0.75 m   TP2	4608150193
			<b>Requirement   Type   Extension   Screed version</b> 2 pc.   for screed plate   0.225 m   TV; 2 pc.   for screed plate   0.225 m   TP1; 2 pc.   for screed plate   0.225 m   TP2	4608150195
			<b>Requirement   Type   Screed version</b> 4 pc.   for screed plate   TV	4608150199
			<b>Requirement   Type   Screed version</b> 4 pc.   for screed plate   TP	4608150200
			<b>Requirement   Type   Screed version</b> 4 pc.   for tamper bar and pressure bar   TV; 8 pc.   for tamper bar and pressure bar   TP1; 12 pc.   for tamper bar and pressure bar   TP2	4608150202
			<b>Requirement   Type   Extension   Screed version</b> 2 pc.   for screed plate   1.25 m   TV; 2 pc.   for screed plate   1.25 m   TP1; 2 pc.   for screed plate   1.25 m   TP2	4608150204
			<b>Requirement   Use   Screed version</b> 4 pc.   Additional heating rod for increased heating power for screeds   TV; 4 pc.   Additional heating rod for increased heating power for screeds   TP1; 4 pc.   Additional heating rod for increased heating power for screeds   TP2	4608150208
			<b>Requirement   Use   Extension   Screed version</b> 2 pc.   Additional heating rod for increased heating power for screed extensions   1.25 m   TV; 2 pc.   Additional heating rod for increased heating power for screed extensions   1.25 m   TP1; 2 pc.   Additional heating rod for increased heating power for screed extensions   1.25 m   TP2	4608150209
			<b>Requirement   Use   Screed version</b> 4 pc.   Additional heating rod for increased heating power for screeds   TV; 4 pc.   Additional heating rod for increased heating power for screeds   TP1; 4 pc.   Additional heating rod for increased heating power for screeds   TP2	4608150210
			<b>Requirement   Type   Extension   Screed version</b> 2 pc.   for screed plate   0.75 m   TV	4608150170
			AB 600-2	16AB
<b>Requirement   Type   Extension   Screed version</b> 2 pc.   for tamper bar and pressure bar   0.75 m   TV	2035055			





HEATING RODS				
Series code	Serial code	Series range	Details	Part no.
AB 600-2	16AB	10 - 9999	<b>Requirement   Type   Extension   Screed version   Position</b> 1 pc.   for screed plate   1.25 m   TV   left	2035986
			<b>Requirement   Type   Extension   Screed version   Position</b> 1 pc.   for screed plate   1.25 m   TV   right	2035992
			<b>Requirement   Type   Extension   Screed version   Position</b> 1 pc.   for screed plate   0.75 m   TV   left	2036690
			<b>Requirement   Type   Screed version   Position</b> 1 pc.   for screed plate   TV   Basic screed, right; 1 pc.   for screed plate   TV   Extending screed, left	2056569
			<b>Requirement   Type   Extension   Screed version</b> 2 pc.   for tamper bar and pressure bar   0.25 m   TV	2041147
			<b>Requirement   Type   Extension   Screed version   Position</b> 1 pc.   for screed plate   0.25 m   TV   left	2041149
			<b>Requirement   Type   Extension   Screed version   Position</b> 1 pc.   for screed plate   0.25 m   TV   right	2041151
			<b>Requirement   Type   Screed version</b> 4 pc.   for tamper bar and pressure bar   TV	2056558
			<b>Requirement   Type   Screed version   Position</b> 1 pc.   for screed plate   TV   Basic screed, left; 1 pc.   for screed plate   TV   Extending screed, right	2056568
	<b>Requirement   Type   Extension   Screed version   Position</b> 1 pc.   for screed plate   0.75 m   TV   right	2036728		
	17AB	10 - 9999	<b>Requirement   Type   Extension   Screed version</b> 4 pc.   for tamper bar and pressure bar   1.25 m   TP1; 6 pc.   for tamper bar and pressure bar   1.25 m   TP2	2035050
			<b>Requirement   Type   Extension   Screed version</b> 4 pc.   for tamper bar and pressure bar   0.75 m   TP1; 6 pc.   for tamper bar and pressure bar   0.75 m   TP2	2035055
			<b>Requirement   Type   Extension   Screed version   Position</b> 1 pc.   for screed plate   1.25 m   TP1   left; 1 pc.   for screed plate   1.25 m   TP2   left	2035986
			<b>Requirement   Type   Extension   Screed version   Position</b> 1 pc.   for screed plate   1.25 m   TP1   right; 1 pc.   for screed plate   1.25 m   TP2   right	2035992
			<b>Requirement   Type   Extension   Screed version   Position</b> 1 pc.   for screed plate   0.75 m   TP1   left; 1 pc.   for screed plate   0.75 m   TP2   left	2036690
			<b>Requirement   Type   Extension   Screed version   Position</b> 1 pc.   for screed plate   0.75 m   TP1   right; 1 pc.   for screed plate   0.75 m   TP2   right	2036728
			<b>Requirement   Type   Extension   Screed version</b> 4 pc.   for tamper bar and pressure bar   0.25 m   TP1; 6 pc.   for tamper bar and pressure bar   0.25 m   TP2	2041147



Original VÖGELE  
**SCREED**

HEATING RODS				
Series code	Serial code	Series range	Details	Part no.
AB 600-2	17AB	10 - 9999	<b>Requirement   Type   Extension   Screed version   Position</b> 1 pc.   for screed plate   0.25 m   TP1   left; 1 pc.   for screed plate   0.25 m   TP2   left	2041149
			<b>Requirement   Type   Extension   Screed version   Position</b> 1 pc.   for screed plate   0.25 m   TP1   right; 1 pc.   for screed plate   0.25 m   TP2   right	2041151
			<b>Requirement   Type   Screed version</b> 8 pc.   for tamper bar and pressure bar   TP1; 12 pc.   for tamper bar and pressure bar   TP2	2056558
			<b>Requirement   Type   Screed version   Position</b> 1 pc.   for screed plate   TP   Basic screed, left; 1 pc.   for screed plate   TP   Extending screed, right	2056568
			<b>Requirement   Type   Screed version   Position</b> 1 pc.   for screed plate   TP   Basic screed, right; 1 pc.   for screed plate   TP   Extending screed, left	2056569
AB 600-3	25AB	10 - 9999	<b>Requirement   Type   Extension   Screed version</b> 2 pc.   for tamper bar and pressure bar   1.25 m   TV	2035050
			<b>Requirement   Type   Extension   Screed version   Position</b> 1 pc.   for screed plate   0.75 m   TV   right	2036728
			<b>Requirement   Type   Extension   Screed version</b> 2 pc.   for tamper bar and pressure bar   0.25 m   TV	2041147
			<b>Requirement   Type   Extension   Screed version   Position</b> 1 pc.   for screed plate   0.25 m   TV   left	2041149
			<b>Requirement   Type   Extension   Screed version   Position</b> 1 pc.   for screed plate   0.25 m   TV   right	2041151
			<b>Requirement   Type   Extension   Screed version   Position</b> 1 pc.   for screed plate   0.75 m   TV   left	2036690
			<b>Requirement   Type   Screed version   Position</b> 1 pc.   for screed plate   TV   Basic screed, left; 1 pc.   for screed plate   TV   Extending screed, right	2056568
			<b>Requirement   Type   Screed version   Position</b> 1 pc.   for screed plate   TV   Basic screed, right; 1 pc.   for screed plate   TV   Extending screed, left	2056569
			<b>Requirement   Type   Extension   Screed version</b> 2 pc.   for tamper bar and pressure bar   0.75 m   TV	2035055
			<b>Requirement   Type   Extension   Screed version   Position</b> 1 pc.   for screed plate   1.25 m   TV   left	2035986
			<b>Requirement   Type   Extension   Screed version   Position</b> 1 pc.   for screed plate   1.25 m   TV   right	2035992
			<b>Requirement   Type   Screed version</b> 4 pc.   for tamper bar and pressure bar   TV	2056558
	26AB	10 - 9999	<b>Requirement   Type   Extension   Screed version</b> 4 pc.   for tamper bar and pressure bar   1.25 m   TP1; 6 pc.   for tamper bar and pressure bar   1.25 m   TP2	2035050



HEATING RODS				
Series code	Serial code	Series range	Details	Part no.
AB 600-3	26AB	10 - 9999	<b>Requirement   Type   Extension   Screed version</b> 4 pc.   for tamper bar and pressure bar   0.75 m   TP1; 6 pc.   for tamper bar and pressure bar   0.75 m   TP2	2035055
			<b>Requirement   Type   Extension   Screed version   Position</b> 1 pc.   for screed plate   1.25 m   TP1   left; 1 pc.   for screed plate   1.25 m   TP2   left	2035986
			<b>Requirement   Type   Extension   Screed version   Position</b> 1 pc.   for screed plate   1.25 m   TP1   right; 1 pc.   for screed plate   1.25 m   TP2   right	2035992
			<b>Requirement   Type   Extension   Screed version   Position</b> 1 pc.   for screed plate   0.75 m   TP1   left; 1 pc.   for screed plate   0.75 m   TP2   left	2036690
			<b>Requirement   Type   Screed version   Position</b> 1 pc.   for screed plate   TP   Basic screed, right; 1 pc.   for screed plate   TP   Extending screed, left	2056569
			<b>Requirement   Type   Extension   Screed version</b> 4 pc.   for tamper bar and pressure bar   0.25 m   TP1; 6 pc.   for tamper bar and pressure bar   0.25 m   TP2	2041147
			<b>Requirement   Type   Extension   Screed version   Position</b> 1 pc.   for screed plate   0.25 m   TP1   left; 1 pc.   for screed plate   0.25 m   TP2   left	2041149
			<b>Requirement   Type   Extension   Screed version   Position</b> 1 pc.   for screed plate   0.25 m   TP1   right; 1 pc.   for screed plate   0.25 m   TP2   right	2041151
			<b>Requirement   Type   Screed version</b> 8 pc.   for tamper bar and pressure bar   TP1; 12 pc.   for tamper bar and pressure bar   TP2	2056558
			<b>Requirement   Type   Screed version   Position</b> 1 pc.   for screed plate   TP   Basic screed, left; 1 pc.   for screed plate   TP   Extending screed, right	2056568
			<b>Requirement   Type   Extension   Screed version   Position</b> 1 pc.   for screed plate   0.75 m   TP1   right; 1 pc.   for screed plate   0.75 m   TP2   right	2036728
VF 500-2	19AB	10 - 9999	<b>Requirement   Type   Extension   Berm   Screed version   Position</b> 1 pc.   for screed plate     305 mm berm   V   Extending screed, left; 1 pc.   for screed plate     305 mm berm   V   Extending screed, right; 2 pc.   for screed plate   0.305 m     V	2137037
			<b>Requirement   Type   Screed version   Position</b> 2 pc.   for screed plate   V   Basic screen, left + right	2276013

Original VÖGELE  
**SCREED**

HEATING RODS				
Series code	Serial code	Series range	Details	Part no.
VF 500-2	19AB	10 - 9999	<b>Requirement   Type   Berm   Screed version   Position</b> 1 pc.   for screed plate   457 mm berm   V   Extending screed, left; 1 pc.   for screed plate   457 mm berm   V   Extending screed, right	2137039
			<b>Requirement   Type   Berm   Screed version   Position</b> 1 pc.   for screed plate   305 mm berm   V   Extending screed, right	2137041
			<b>Requirement   Type   Extension   Berm   Screed version   Position</b> 1 pc.   for screed plate   0.61 m   610 mm berm   V   Extending screed, left; 1 pc.   for screed plate   0.61 m   610 mm berm   V   Extending screed, right; 2 pc.   for tamper bar and pressure bar   0.61 m     V	2137042
			<b>Requirement   Type   Berm   Screed version   Position</b> 1 pc.   for screed plate   305 mm berm   V   Extending screed, left; 1 pc.   for screed plate   305 mm berm   V   Extending screed, right	2137043
			<b>Requirement   Type   Extension   Berm   Screed version   Position</b> 1 pc.   for screed plate   0.305 m   305 mm berm   V   Extending screed, left; 1 pc.   for screed plate   0.305 m   305 mm berm   V   Extending screed, right; 2 pc.   for tamper bar and pressure bar   0.305 m     V	2137044
			<b>Requirement   Type   Extension   Berm   Screed version   Position</b> 1 pc.   for screed plate   0.61 m   610 mm berm   V   Extending screed, left; 1 pc.   for screed plate   0.61 m   610 mm berm   V   Extending screed, right; 2 pc.   for screed plate   0.61 m     V	2137046
			<b>Requirement   Type   Berm   Screed version   Position</b> 1 pc.   for screed plate   457 mm berm   V   Extending screed, left; 1 pc.   for screed plate   457 mm berm   V   Extending screed, right	2137048
			<b>Requirement   Type   Berm   Screed version   Position</b> 1 pc.   for screed plate   305 mm berm   V   Extending screed, left	2141834
			<b>Requirement   Type   Berm   Screed version   Position</b> 2 pc.   for screed plate   no berm   V   Extending screed, left + right	2182409
			<b>Requirement   Type   Screed version   Position</b> 2 pc.   for screed plate   V   Basic screen, left + right	2190087
			<b>Requirement   Type   Screed version   Position</b> 2 pc.   for screed plate   V   Basic screen, left + right	2190671
			<b>Requirement   Type   Berm   Screed version   Position</b> 1 pc.   for screed plate   457 mm berm   V   Extending screed, left; 1 pc.   for screed plate   457 mm berm   V   Extending screed, right	2191048
			<b>Requirement   Type   Berm   Screed version   Position</b> 1 pc.   for screed plate   457 mm berm   V   Extending screed, right	2191058
			<b>Requirement   Type   Berm   Screed version   Position</b> 1 pc.   for screed plate   457 mm berm   V   Extending screed, left	2191782
			<b>Requirement   Type   Berm   Screed version   Position</b> 1 pc.   for screed plate   610 mm berm   V   Extending screed, right	2192596
			<b>Requirement   Type   Berm   Screed version   Position</b> 1 pc.   for screed plate   610 mm berm   V   Extending screed, left; 1 pc.   for screed plate   610 mm berm   V   Extending screed, right	2193930
<b>Requirement   Type   Berm   Screed version   Position</b> 1 pc.   for screed plate   610 mm berm   V   Extending screed, left	2194547			



HEATING RODS				
Series code	Serial code	Series range	Details	Part no.
VF 500-2	19AB	10 - 9999	<b>Requirement   Type   Berm   Screed version   Position</b> 2 pc.   for screed plate   no berm   V   Extending screed, left + right	2137038
VF 600-2	20AB	10 - 9999	<b>Requirement   Type   Screed version   Position</b> 2 pc.   for screed plate   V   Basic screen, left + right	2137029
			<b>Requirement   Type   Berm   Screed version   Position</b> 2 pc.   for screed plate   no berm   V   Extending screed, left + right	2169384
			<b>Requirement   Type   Screed version   Position</b> 2 pc.   for screed plate   V   Basic screen, left + right	2137032
			<b>Requirement   Type   Extension   Berm   Screed version   Position</b> 1 pc.   for screed plate   0.305 m   305 mm berm   V   Extending screed, left; 1 pc.   for screed plate   0.305 m   305 mm berm   V   Extending screed, right; 2 pc.   for screed plate   0.305 m     V	2137037
			<b>Requirement   Type   Berm   Screed version   Position</b> 1 pc.   for screed plate   305 mm berm   V   Extending screed, left; 1 pc.   for screed plate   305 mm berm   V   Extending screed, right	2137038
			<b>Requirement   Type   Berm   Screed version   Position</b> 1 pc.   for screed plate   457 mm berm   V   Extending screed, left; 1 pc.   for screed plate   457 mm berm   V   Extending screed, right	2137039
			<b>Requirement   Type   Berm   Screed version   Position</b> 1 pc.   for screed plate   457 mm berm   V   Extending screed, left; 1 pc.   for screed plate   457 mm berm   V   Extending screed, right	2137040
			<b>Requirement   Type   Berm   Screed version   Position</b> 1 pc.   for screed plate   610 mm berm   V   Extending screed, right	2137041
			<b>Requirement   Type   Extension   Berm   Screed version   Position</b> 1 pc.   for screed plate   0.61 m   610 mm berm   V   Extending screed, left; 1 pc.   for screed plate   0.61 m   610 mm berm   V   Extending screed, right; 2 pc.   for tamper bar and pressure bar   0.61 m     V	2137042
			<b>Requirement   Type   Berm   Screed version   Position</b> 1 pc.   for screed plate   610 mm berm   V   Extending screed, left; 1 pc.   for screed plate   610 mm berm   V   Extending screed, right	2137043
			<b>Requirement   Type   Extension   Berm   Screed version   Position</b> 1 pc.   for screed plate   0.305 m   305 mm berm   V   Extending screed, left; 1 pc.   for screed plate   0.305 m   305 mm berm   V   Extending screed, right; 2 pc.   for tamper bar and pressure bar   0.305 m     V	2137044
			<b>Requirement   Type   Berm   Screed version   Position</b> 1 pc.   for screed plate   305 mm berm   V   Extending screed, right	2137045
			<b>Requirement   Type   Extension   Berm   Screed version   Position</b> 1 pc.   for screed plate   0.61 m   610 mm berm   V   Extending screed, left; 1 pc.   for screed plate   0.61 m   610 mm berm   V   Extending screed, right; 2 pc.   for screed plate   0.61 m     V	2137046
			<b>Requirement   Type   Berm   Screed version   Position</b> 1 pc.   for screed plate   457 mm berm   V   Extending screed, left; 1 pc.   for screed plate   457 mm berm   V   Extending screed, right	2137048



Original VÖGELE  
**SCREED**

HEATING RODS				
Series code	Serial code	Series range	Details	Part no.
VF 600-2	20AB	10 - 9999	<b>Requirement   Type   Berm   Screed version   Position</b> 2 pc.   for screed plate   no berm   V   Extending screed, left + right	2138475
			<b>Requirement   Type   Berm   Screed version   Position</b> 1 pc.   for screed plate   457 mm berm   V   Extending screed, left	2141794
			<b>Requirement   Type   Berm   Screed version   Position</b> 1 pc.   for screed plate   305 mm berm   V   Extending screed, left	2141819
			<b>Requirement   Type   Berm   Screed version   Position</b> 1 pc.   for screed plate   610 mm berm   V   Extending screed, left	2141834
			<b>Requirement   Type   Berm   Screed version   Position</b> 1 pc.   for screed plate   457 mm berm   V   Extending screed, right	2147047
			<b>Requirement   Type   Screed version   Position</b> 2 pc.   for screed plate   V   Basic screen, left + right	2137031
VR 600-2	18AB	10 - 9999	<b>Requirement   Type   Screed version</b> 4 pc.   for screed plate   V	2096490
			<b>Requirement   Type   Screed version   Position</b> 2 pc.   for screed plate   V   Extending screed, left + right	2112914
			<b>Requirement   Type   Extension   Screed version   Position</b> 1 pc.   for screed plate   0.65 m   V   right	2126439
			<b>Requirement   Type   Extension   Screed version   Position</b> 1 pc.   for screed plate   0.65 m   V   left	2123603
			<b>Requirement   Type   Extension   Screed version</b> 2 pc.   for tamper bar and pressure bar   0.65 m   V	2123611
			<b>Requirement   Type   Screed version   Position</b> 2 pc.   for screed plate   V   Basic screen, left + right	2119873
SB 250	02SB	10 - 9999	<b>Requirement   Use   Screed version</b> 2 pc.   Additional heating rod for increased heating power for screeds   TV; 2 pc.   Additional heating rod for increased heating power for screeds   TP1; 2 pc.   Additional heating rod for increased heating power for screeds   TP2	2053770
			<b>Requirement   Type   Use   Extension   Screed version</b> 4 pc.   for screed plate     1.5 m   TV; 4 pc.   for screed plate     1.5 m   TP1; 4 pc.   for screed plate     1.5 m   TP2; 2 pc.     Additional heating rod for increased heating power for screed extensions   1.5 m   TV; 2 pc.     Additional heating rod for increased heating power for screed extensions   1.5 m   TP1; 2 pc.     Additional heating rod for increased heating power for screed extensions   1.5 m   TP2	4608150003
			<b>Requirement   Type   Screed version</b> 4 pc.   for screed plate   TV; 4 pc.   for screed plate   TP1; 4 pc.   for screed plate   TP2	4608150006
			<b>Requirement   Type   Use   Extension   Screed version</b> 4 pc.   for screed plate     1.0 m   TV; 4 pc.   for screed plate     1.0 m   TP1; 4 pc.   for screed plate     1.0 m   TP2; 2 pc.     Additional heating rod for increased heating power for screed extensions   1.0 m   TV; 2 pc.     Additional heating rod for increased heating power for screed extensions   1.0 m   TP1; 2 pc.     Additional heating rod for increased heating power for screed extensions   1.0 m   TP2	4608150037



HEATING RODS				
Series code	Serial code	Series range	Details	Part no.
SB 250	02SB	10 - 9999	<b>Requirement   Type   Use   Extension   Screed version</b> 4 pc.   for screed plate     0.5 m   TV; 4 pc.   for screed plate     0.5 m   TP1; 4 pc.   for screed plate     0.5 m   TP2; 2 pc.     Additional heating rod for increased heating power for screed extensions   0.5 m   TV; 2 pc.     Additional heating rod for increased heating power for screed extensions   0.5 m   TP1; 2 pc.     Additional heating rod for increased heating power for screed extensions   0.5 m   TP2	4608150071
			<b>Requirement   Type   Extension   Screed version</b> 2 pc.   for tamper bar and pressure bar   0.25 m   TV; 4 pc.   for tamper bar and pressure bar   0.25 m   TP1; 6 pc.   for tamper bar and pressure bar   0.25 m   TP2	4608150189
			<b>Requirement   Type   Extension   Screed version</b> 2 pc.   for tamper bar and pressure bar   0.5 m   TV; 4 pc.   for tamper bar and pressure bar   0.5 m   TP1; 6 pc.   for tamper bar and pressure bar   0.5 m   TP2	4608150105
			<b>Requirement   Type   Use   Extension   Screed version</b> 4 pc.   for screed plate     0.25 m   TV; 4 pc.   for screed plate     0.25 m   TP1; 4 pc.   for screed plate     0.25 m   TP2; 2 pc.     Additional heating rod for increased heating power for screed extensions   0.25 m   TV; 2 pc.     Additional heating rod for increased heating power for screed extensions   0.25 m   TP1; 2 pc.     Additional heating rod for increased heating power for screed extensions   0.25 m   TP2	4608150115
			<b>Requirement   Type   Use   Extension   Version   Screed version</b> 4 pc.   for screed plate     0.75 m   telescoping   TV; 4 pc.   for screed plate     0.75 m   telescoping   TP1; 4 pc.   for screed plate     0.75 m   telescoping   TP2; 2 pc.     Additional heating rod for increased heating power for screed extensions   0.75 m   telescoping   TV; 2 pc.     Additional heating rod for increased heating power for screed extensions   0.75 m   telescoping   TP1; 2 pc.     Additional heating rod for increased heating power for screed extensions   0.75 m   telescoping   TP2	4608150116
			<b>Requirement   Type   Screed version</b> 2 pc.   for tamper bar and pressure bar   TV; 4 pc.   for tamper bar and pressure bar   TP1; 6 pc.   for tamper bar and pressure bar   TP2	4608150168
			<b>Requirement   Type   Extension   Version   Screed version</b> 2 pc.   for tamper bar and pressure bar   0.75 m   telescoping   TV; 2 pc.   for tamper bar and pressure bar   1.0 m     TV; 4 pc.   for tamper bar and pressure bar   0.75 m   telescoping   TP1; 4 pc.   for tamper bar and pressure bar   1.0 m     TP1; 6 pc.   for tamper bar and pressure bar   0.75 m   telescoping   TP2; 6 pc.   for tamper bar and pressure bar   1.0 m     TP2	4608150184



HEATING RODS				
Series code	Serial code	Series range	Details	Part no.
SB 250	02SB	10 - 9999	<b>Requirement   Type   Extension   Screed version</b> 2 pc.   for tamper bar and pressure bar   1.5 m   TV; 4 pc.   for tamper bar and pressure bar   1.5 m   TP1; 6 pc.   for tamper bar and pressure bar   1.5 m   TP2	4608150100
SB 250-2	05SB	10 - 9999	<b>Requirement   Type   Extension   Screed version   Position</b> 2 pc.   for screed plate   1.0 m   TV   left; 2 pc.   for screed plate   1.0 m   TP1   left; 2 pc.   for screed plate   1.0 m   TP2   left	2119791
			<b>Requirement   Type   Extension   Screed version</b> 2 pc.   for tamper bar and pressure bar   0.25 m   TV; 4 pc.   for tamper bar and pressure bar   0.25 m   TP1; 6 pc.   for tamper bar and pressure bar   0.25 m   TP2	4608150189
			<b>Requirement   Type   Screed version   Position</b> 2 pc.   for screed plate   TV   Basic screen, left + right; 2 pc.   for screed plate   TP1   Basic screen, left + right; 2 pc.   for screed plate   TP2   Basic screen, left + right	2121664
			<b>Requirement   Type   Screed version   Position</b> 2 pc.   for screed plate   TV   Basic screen, left + right; 2 pc.   for screed plate   TP1   Basic screen, left + right; 2 pc.   for screed plate   TP2   Basic screen, left + right	2121669
			<b>Requirement   Type   Extension   Version   Screed version   Position</b> 1 pc.   for screed plate   0.75 m   telescoping   TV   left; 1 pc.   for screed plate   0.75 m   telescoping   TP1   left; 1 pc.   for screed plate   0.75 m   telescoping   TP2   left	2121689
			<b>Requirement   Type   Extension   Version   Screed version   Position</b> 1 pc.   for screed plate   0.75 m   telescoping   TV   right; 1 pc.   for screed plate   0.75 m   telescoping   TP1   right; 1 pc.   for screed plate   0.75 m   telescoping   TP2   right	2121757
			<b>Requirement   Type   Extension   Screed version   Position</b> 2 pc.   for screed plate   0.5 m   TV   left; 2 pc.   for screed plate   0.5 m   TP1   left; 2 pc.   for screed plate   0.5 m   TP2   left	2121768
			<b>Requirement   Type   Extension   Screed version   Position</b> 2 pc.   for screed plate   0.5 m   TV   right; 2 pc.   for screed plate   0.5 m   TP1   right; 2 pc.   for screed plate   0.5 m   TP2   right	2121859
			<b>Requirement   Type   Extension   Screed version   Position</b> 1 pc.   for screed plate   0.25 m   TV   left; 1 pc.   for screed plate   0.25 m   TP1   left; 1 pc.   for screed plate   0.25 m   TP2   left	2122379
			<b>Requirement   Type   Extension   Screed version   Position</b> 1 pc.   for screed plate   0.25 m   TV   right; 1 pc.   for screed plate   0.25 m   TP1   right; 1 pc.   for screed plate   0.25 m   TP2   right	2122384
			<b>Requirement   Type   Extension   Screed version   Position</b> 2 pc.   for screed plate   1.5 m   TV   left; 2 pc.   for screed plate   1.5 m   TP1   left; 2 pc.   for screed plate   1.5 m   TP2   left	2148138
			<b>Requirement   Type   Extension   Screed version   Position</b> 2 pc.   for screed plate   1.5 m   TV   right; 2 pc.   for screed plate   1.5 m   TP1   right; 2 pc.   for screed plate   1.5 m   TP2   right	2148151





HEATING RODS				
Series code	Serial code	Series range	Details	Part no.
SB 250-2	05SB	10 - 9999	<b>Requirement   Type   Extension   Screed version</b> 2 pc.   for tamper bar and pressure bar   1.5 m   TV; 4 pc.   for tamper bar and pressure bar   1.5 m   TP1; 6 pc.   for tamper bar and pressure bar   1.5 m   TP2	4608150100
			<b>Requirement   Type   Extension   Screed version</b> 2 pc.   for tamper bar and pressure bar   0.5 m   TV; 4 pc.   for tamper bar and pressure bar   0.5 m   TP1; 6 pc.   for tamper bar and pressure bar   0.5 m   TP2	4608150105
			<b>Requirement   Type   Screed version</b> 2 pc.   for tamper bar and pressure bar   TV; 4 pc.   for tamper bar and pressure bar   TP1; 6 pc.   for tamper bar and pressure bar   TP2	4608150168
			<b>Requirement   Type   Extension   Version   Screed version</b> 2 pc.   for tamper bar and pressure bar   0.75 m   telescoping   TV; 2 pc.   for tamper bar and pressure bar   1.0 m     TV; 4 pc.   for tamper bar and pressure bar   0.75 m   telescoping   TP1; 4 pc.   for tamper bar and pressure bar   1.0 m     TP1; 6 pc.   for tamper bar and pressure bar   0.75 m   telescoping   TP2; 6 pc.   for tamper bar and pressure bar   1.0 m     TP2	4608150184
			<b>Requirement   Type   Extension   Screed version   Position</b> 2 pc.   for screed plate   1.0 m   TV   right; 2 pc.   for screed plate   1.0 m   TP1   right; 2 pc.   for screed plate   1.0 m   TP2   right	2119815
SB 300	03SB	10 - 9999	<b>Requirement   Use   Screed version</b> 2 pc.   Additional heating rod for increased heating power for screeds   TV; 2 pc.   Additional heating rod for increased heating power for screeds   TP1; 2 pc.   Additional heating rod for increased heating power for screeds   TP2	2053768
			<b>Requirement   Type   Use   Extension   Screed version</b> 4 pc.   for screed plate       TV; 4 pc.   for screed plate       1.5 m   TV; 4 pc.   for screed plate       TP1; 4 pc.   for screed plate       1.5 m   TP1; 4 pc.   for screed plate       TP2; 4 pc.   for screed plate       1.5 m   TP2; 2 pc.     Additional heating rod for increased heating power for screed extensions   1.5 m   TV; 2 pc.     Additional heating rod for increased heating power for screed extensions   1.5 m   TP1; 2 pc.     Additional heating rod for increased heating power for screed extensions   1.5 m   TP2	4608150003
			<b>Requirement   Type   Use   Extension   Screed version</b> 4 pc.   for screed plate       1.0 m   TV; 4 pc.   for screed plate       1.0 m   TP1; 4 pc.   for screed plate       1.0 m   TP2; 2 pc.     Additional heating rod for increased heating power for screed extensions   1.0 m   TV; 2 pc.     Additional heating rod for increased heating power for screed extensions   1.0 m   TP1; 2 pc.     Additional heating rod for increased heating power for screed extensions   1.0 m   TP2	4608150037



HEATING RODS				
Series code	Serial code	Series range	Details	Part no.
SB 300	03SB	10 - 9999	<b>Requirement   Type   Use   Extension   Screed version</b> 4 pc.   for screed plate     0.5 m   TV; 4 pc.   for screed plate     0.5 m   TP1; 4 pc.   for screed plate     0.5 m   TP2; 2 pc.     Additional heating rod for increased heating power for screed ex- tensions   0.5 m   TV; 2 pc.     Additional heating rod for increased heating power for screed ex- tensions   0.5 m   TP1; 2 pc.     Additional heating rod for increased heating power for screed ex- tensions   0.5 m   TP2	4608150071
			<b>Requirement   Type   Extension   Screed version</b> 2 pc.   for tamper bar and pressure bar   0.25 m   TV; 4 pc.   for tamper bar and pressure bar   0.25 m   TP1; 6 pc.   for tamper bar and pressure bar   0.25 m   TP2	4608150189
			<b>Requirement   Type   Extension   Screed version</b> 2 pc.   for tamper bar and pressure bar   0.5 m   TV; 4 pc.   for tamper bar and pressure bar   0.5 m   TP1; 6 pc.   for tamper bar and pressure bar   0.5 m   TP2	4608150105
			<b>Requirement   Type   Use   Extension   Screed version</b> 4 pc.   for screed plate     0.25 m   TV; 4 pc.   for screed plate     0.25 m   TP1; 4 pc.   for screed plate     0.25 m   TP2; 2 pc.     Additional heating rod for increased heating power for screed ex- tensions   0.25 m   TV; 2 pc.     Additional heating rod for increased heating power for screed ex- tensions   0.25 m   TP1; 2 pc.     Additional heating rod for increased heating power for screed ex- tensions   0.25 m   TP2	4608150115
			<b>Requirement   Type   Use   Extension   Version   Screed version</b> 4 pc.   for screed plate     0.75 m   telescoping   TV; 4 pc.   for screed plate     0.75 m   telescoping   TP1; 4 pc.   for screed plate     0.75 m   telescoping   TP2; 2 pc.     Additional heating rod for increased heating power for screed ex- tensions   0.75 m   telescoping   TV; 2 pc.     Additional heating rod for increased heating power for screed ex- tensions   0.75 m   telescoping   TP1; 2 pc.     Additional heating rod for increased heating power for screed ex- tensions   0.75 m   telescoping   TP2	4608150116
			<b>Requirement   Type   Extension   Version   Screed version</b> 2 pc.   for tamper bar and pressure bar   0.75 m   telescoping   TV; 2 pc.   for tamper bar and pressure bar   1.0 m     TV; 4 pc.   for tamper bar and pressure bar   0.75 m   telescoping   TP1; 4 pc.   for tamper bar and pressure bar   1.0 m     TP1; 6 pc.   for tamper bar and pressure bar   0.75 m   telescoping   TP2; 6 pc.   for tamper bar and pressure bar   1.0 m     TP2	4608150184



HEATING RODS				
Series code	Serial code	Series range	Details	Part no.
SB 300	03SB	10 - 9999	<b>Requirement   Type   Extension   Screed version</b> 2 pc.   for tamper bar and pressure bar     TV; 2 pc.   for tamper bar and pressure bar   1.5 m   TV; 4 pc.   for tamper bar and pressure bar     TP1; 4 pc.   for tamper bar and pressure bar   1.5 m   TP1; 6 pc.   for tamper bar and pressure bar     TP2; 6 pc.   for tamper bar and pressure bar   1.5 m   TP2	4608150100
SB 300-2	06SB	10 - 9999	<b>Requirement   Type   Screed version   Position</b> 2 pc.   for screed plate   TV   Basic screen, left + right; 2 pc.   for screed plate   TP1   Basic screen, left + right; 2 pc.   for screed plate   TP2   Basic screen, left + right	2119621
			<b>Requirement   Type   Extension   Screed version</b> 2 pc.   for tamper bar and pressure bar   0.25 m   TV; 4 pc.   for tamper bar and pressure bar   0.25 m   TP1; 6 pc.   for tamper bar and pressure bar   0.25 m   TP2	4608150189
			<b>Requirement   Type   Extension   Screed version   Position</b> 2 pc.   for screed plate   1.0 m   TV   left; 2 pc.   for screed plate   1.0 m   TP1   left; 2 pc.   for screed plate   1.0 m   TP2   left	2119791
			<b>Requirement   Type   Extension   Screed version   Position</b> 2 pc.   for screed plate   1.0 m   TV   right; 2 pc.   for screed plate   1.0 m   TP1   right; 2 pc.   for screed plate   1.0 m   TP2   right	2119815
			<b>Requirement   Type   Extension   Version   Screed version   Position</b> 1 pc.   for screed plate   0.75 m   telescoping   TV   left; 1 pc.   for screed plate   0.75 m   telescoping   TP1   left; 1 pc.   for screed plate   0.75 m   telescoping   TP2   left	2121689
			<b>Requirement   Type   Extension   Version   Screed version   Position</b> 1 pc.   for screed plate   0.75 m   telescoping   TV   right; 1 pc.   for screed plate   0.75 m   telescoping   TP1   right; 1 pc.   for screed plate   0.75 m   telescoping   TP2   right	2121757
			<b>Requirement   Type   Extension   Screed version   Position</b> 2 pc.   for screed plate   0.5 m   TV   left; 2 pc.   for screed plate   0.5 m   TP1   left; 2 pc.   for screed plate   0.5 m   TP2   left	2121768
			<b>Requirement   Type   Extension   Screed version   Position</b> 2 pc.   for screed plate   0.5 m   TV   right; 2 pc.   for screed plate   0.5 m   TP1   right; 2 pc.   for screed plate   0.5 m   TP2   right	2121859
			<b>Requirement   Type   Extension   Screed version   Position</b> 1 pc.   for screed plate   0.25 m   TV   left; 1 pc.   for screed plate   0.25 m   TP1   left; 1 pc.   for screed plate   0.25 m   TP2   left	2122379
			<b>Requirement   Type   Extension   Screed version   Position</b> 1 pc.   for screed plate   0.25 m   TV   right; 1 pc.   for screed plate   0.25 m   TP1   right; 1 pc.   for screed plate   0.25 m   TP2   right	2122384
			<b>Requirement   Type   Extension   Screed version   Position</b> 2 pc.   for screed plate   1.5 m   TV   left; 2 pc.   for screed plate   1.5 m   TP1   left; 2 pc.   for screed plate   1.5 m   TP2   left	2148138



HEATING RODS				
Series code	Serial code	Series range	Details	Part no.
SB 300-2	06SB	10 - 9999	<b>Requirement   Type   Extension   Screed version   Position</b> 2 pc.   for screed plate   1.5 m   TV   right; 2 pc.   for screed plate   1.5 m   TP1   right; 2 pc.   for screed plate   1.5 m   TP2   right	2148151
			<b>Requirement   Type   Extension   Screed version</b> 2 pc.   for tamper bar and pressure bar     TV; 2 pc.   for tamper bar and pressure bar   1.5 m   TV; 4 pc.   for tamper bar and pressure bar     TP1; 4 pc.   for tamper bar and pressure bar   1.5 m   TP1; 6 pc.   for tamper bar and pressure bar     TP2; 6 pc.   for tamper bar and pressure bar   1.5 m   TP2	4608150100
			<b>Requirement   Type   Extension   Screed version</b> 2 pc.   for tamper bar and pressure bar   0.5 m   TV; 4 pc.   for tamper bar and pressure bar   0.5 m   TP1; 6 pc.   for tamper bar and pressure bar   0.5 m   TP2	4608150105
			<b>Requirement   Type   Extension   Version   Screed version</b> 2 pc.   for tamper bar and pressure bar   0.75 m   telescoping   TV; 2 pc.   for tamper bar and pressure bar   1.0 m     TV; 4 pc.   for tamper bar and pressure bar   0.75 m   telescoping   TP1; 4 pc.   for tamper bar and pressure bar   1.0 m     TP1; 6 pc.   for tamper bar and pressure bar   0.75 m   telescoping   TP2; 6 pc.   for tamper bar and pressure bar   1.0 m     TP2	4608150184
			<b>Requirement   Type   Screed version   Position</b> 2 pc.   for screed plate   TV   Basic screen, left + right; 2 pc.   for screed plate   TP1   Basic screen, left + right; 2 pc.   for screed plate   TP2   Basic screen, left + right	2119711



## V-BELTS

VÖGELE V-belts are used to drive the generator.



V-BELTS							
Series code	Serial code	Series range	Part	Version	Power	Requirement	Part no.
SUPER 700	0790	10 - 1438	V-belt		5 kW at idle/8.5 kW at full speed	1 pc.	2034422
			V-belt pulley		5 kW at idle/8.5 kW at full speed		2024975
		1439 - 9999	Drive belt		5 kW at idle/8.5 kW at full speed	1 pc.	2182686
			V-belt pulley		5 kW at idle/8.5 kW at full speed		2055082
SUPER 700-3	0890	10 - 9999	Drive belt		5 kW at idle/8.5 kW at full speed	1 pc.	2425925
			V-belt pulley		5 kW at idle/8.5 kW at full speed		2338658
SUPER 700-3i	0890	10 - 9999	Drive belt		5 kW at idle/8.5 kW at full speed	1 pc.	2425925
			V-belt pulley		5 kW at idle/8.5 kW at full speed		2338658
SUPER 800	0790	10 - 1438	V-belt		5 kW at idle/8.5 kW at full speed	1 pc.	2034422
			V-belt pulley		5 kW at idle/8.5 kW at full speed		2024975
		1439 - 9999	Drive belt		5 kW at idle/8.5 kW at full speed	1 pc.	2182686
			V-belt pulley		5 kW at idle/8.5 kW at full speed		2055082
SUPER 800-3	0890	10 - 9999	Drive belt		5 kW at idle/8.5 kW at full speed	1 pc.	2425925
			V-belt pulley		5 kW at idle/8.5 kW at full speed		2338658
SUPER 800-3i	0890	10 - 9999	Drive belt		5 kW at idle/8.5 kW at full speed	1 pc.	2425925
			V-belt pulley		5 kW at idle/8.5 kW at full speed		2338658
SUPER 700	0990	10 - 9999	Drive belt		5 kW at idle/8.5 kW at full speed	1 pc.	2425925
			V-belt pulley		5 kW at idle/8.5 kW at full speed		2338658
SUPER 800	0990	10 - 9999	Drive belt		5 kW at idle/8.5 kW at full speed	1 pc.	2425925
			V-belt pulley		5 kW at idle/8.5 kW at full speed		2338658

V-BELTS							
Series code	Serial code	Series range	Part	Version	Power	Requirement	Part no.
SUPER 700i	0990	10 - 9999	Drive belt		5 kW at idle/8.5 kW at full speed	1 pc.	2425925
			V-belt pulley		5 kW at idle/8.5 kW at full speed		2338658
SUPER 800i	0990	10 - 9999	Drive belt		5 kW at idle/8.5 kW at full speed	1 pc.	2425925
			V-belt pulley		5 kW at idle/8.5 kW at full speed		2338658
SUPER 1100-2	0811	10 - 9999	V-belt		7 kW at idle/13 kW at full speed	2 pc.	2048342
			V-belt pulley		7 kW at idle/13 kW at full speed		2044085
SUPER 1100-3	1011	10 - 9999	V-belt		10 kW at idle/13 kW at full speed	2 pc.	2244137
			V-belt pulley		10 kW at idle/13 kW at full speed		2236103
	1411	10 - 9999	V-belt		10 kW at idle/13 kW at full speed	1 pc.	2530764
			V-belt pulley		10 kW at idle/13 kW at full speed		2518341
SUPER 1100-3i	1011	10 - 9999	V-belt		10 kW at idle/13 kW at full speed	2 pc.	2244137
			V-belt pulley		10 kW at idle/13 kW at full speed		2236103
	1411	10 - 9999	V-belt		10 kW at idle/13 kW at full speed	1 pc.	2530764
			V-belt pulley		10 kW at idle/13 kW at full speed		2518341
SUPER 1103-2	0911	10 - 9999	V-belt		7 kW at idle/13 kW at full speed	2 pc.	2048342
			V-belt pulley		7 kW at idle/13 kW at full speed		2044085
SUPER 1103-3	1111	10 - 9999	V-belt		10 kW at idle/13 kW at full speed	2 pc.	2244137
			V-belt pulley		10 kW at idle/13 kW at full speed		2236103
	1511	10 - 9999	V-belt		10 kW at idle/13 kW at full speed	1 pc.	2530764
			V-belt pulley		10 kW at idle/13 kW at full speed		2518341
SUPER 1103-3i	1111	10 - 9999	V-belt		10 kW at idle/13 kW at full speed	2 pc.	2244137
			V-belt pulley		10 kW at idle/13 kW at full speed		2236103
	1511	10 - 9999	V-belt		10 kW at idle/13 kW at full speed	1 pc.	2530764
			V-belt pulley		10 kW at idle/13 kW at full speed		2518341
SUPER 1300-2	0811	10 - 9999	V-belt		7 kW at idle/13 kW at full speed	2 pc.	2048342
			V-belt pulley		7 kW at idle/13 kW at full speed		2044085



V-BELTS							
Series code	Serial code	Series range	Part	Version	Power	Requirement	Part no.
SUPER 1300-3	1011	10 - 9999	V-belt		10 kW at idle/13 kW at full speed	2 pc.	2244137
			V-belt pulley		10 kW at idle/13 kW at full speed		2236103
	1411	10 - 9999	V-belt		10 kW at idle/13 kW at full speed	1 pc.	2530764
			V-belt pulley		10 kW at idle/13 kW at full speed		2518341
SUPER 1300-3i	1011	10 - 9999	V-belt		10 kW at idle/13 kW at full speed	2 pc.	2244137
			V-belt pulley		10 kW at idle/13 kW at full speed		2236103
	1411	10 - 9999	V-belt		10 kW at idle/13 kW at full speed	1 pc.	2530764
			V-belt pulley		10 kW at idle/13 kW at full speed		2518341
SUPER 1303-2	0911	10 - 9999	V-belt		7 kW at idle/13 kW at full speed	2 pc.	2048342
			V-belt pulley		7 kW at idle/13 kW at full speed		2044085
SUPER 1303-3	1111	10 - 9999	V-belt		10 kW at idle/13 kW at full speed	2 pc.	2244137
			V-belt pulley		10 kW at idle/13 kW at full speed		2236103
	1511	10 - 9999	V-belt		10 kW at idle/13 kW at full speed	1 pc.	2530764
			V-belt pulley		10 kW at idle/13 kW at full speed		2518341
SUPER 1303-3i	1111	10 - 9999	V-belt		10 kW at idle/13 kW at full speed	2 pc.	2244137
			V-belt pulley		10 kW at idle/13 kW at full speed		2236103
	1511	10 - 9999	V-belt		10 kW at idle/13 kW at full speed	1 pc.	2530764
			V-belt pulley		10 kW at idle/13 kW at full speed		2518341
SUPER 1600-1	0782	10 - 9999	V-belt		22 kW at idle/36 kW at full speed; 13 kW at idle/18 kW at full speed; 27 kW at idle/44 kW at full speed	1 pc.	2028978
			V-belt pulley		13 kW at idle/18 kW at full speed; 27 kW at idle/44 kW at full speed; 22 kW at idle/36 kW at full speed		2009797
	0982	10 - 9999	V-belt	Power		1 pc.	2036648
				Standard		1 pc.	2028978
			V-belt pulley	Standard			2014529
				Power			2032523



V-BELTS							
Series code	Serial code	Series range	Part	Version	Power	Requirement	Part no.
SUPER 1600-2	1182	10 - 9999	V-belt		13 kW at idle/18 kW at full speed; 22 kW at idle/36 kW at full speed; 27 kW at idle/44 kW at full speed	1 pc.	2028978
			V-belt pulley		13 kW at idle/18 kW at full speed; 22 kW at idle/36 kW at full speed; 27 kW at idle/44 kW at full speed		2009797
SUPER 1603-1	0783	10 - 9999	V-belt		13 kW at idle/18 kW at full speed; 22 kW at idle/36 kW at full speed	1 pc.	2028978
			V-belt pulley		13 kW at idle/18 kW at full speed; 22 kW at idle/36 kW at full speed		2009797
SUPER 1603-2	0883	10 - 9999	V-belt		13 kW at idle/18 kW at full speed; 22 kW at idle/36 kW at full speed	1 pc.	2028978
			V-belt pulley		13 kW at idle/18 kW at full speed; 22 kW at idle/36 kW at full speed		2009797
SUPER 1800-1	0782	10 - 9999	V-belt		13 kW at idle/18 kW at full speed; 22 kW at idle/36 kW at full speed; 27 kW at idle/44 kW at full speed	1 pc.	2028978
			V-belt pulley		13 kW at idle/18 kW at full speed; 22 kW at idle/36 kW at full speed; 27 kW at idle/44 kW at full speed		2009797
	0982	10 - 9999	V-belt	Power		1 pc.	2036648
				Standard		1 pc.	2028978
			V-belt pulley	Standard			2014529
				Power			2032523
SUPER 1800-2	1182	10 - 9999	V-belt		13 kW at idle/18 kW at full speed; 22 kW at idle/36 kW at full speed; 27 kW at idle/44 kW at full speed	1 pc.	2028978
			V-belt pulley		13 kW at idle/18 kW at full speed; 22 kW at idle/36 kW at full speed; 27 kW at idle/44 kW at full speed		2009797
SUPER 1803-1	0783	10 - 9999	V-belt		13 kW at idle/18 kW at full speed; 22 kW at idle/36 kW at full speed	1 pc.	2028978





V-BELTS							
Series code	Serial code	Series range	Part	Version	Power	Requirement	Part no.
SUPER 1803-1	0783	10 - 9999	V-belt pulley		13 kW at idle/18 kW at full speed; 22 kW at idle/36 kW at full speed		2009797
SUPER 1803-2	0883	10 - 9999	V-belt		13 kW at idle/18 kW at full speed; 22 kW at idle/36 kW at full speed	1 pc.	2028978
			V-belt pulley		13 kW at idle/18 kW at full speed; 22 kW at idle/36 kW at full speed		2009797
SUPER 1900-2	0719	10 - 9999	V-belt		22 kW at idle/36 kW at full speed; 27 kW at idle/44 kW at full speed	1 pc.	2034969
			V-belt pulley		22 kW at idle/36 kW at full speed; 27 kW at idle/44 kW at full speed		2034929
SUPER 2100-2	0719	10 - 9999	V-belt		22 kW at idle/36 kW at full speed; 27 kW at idle/44 kW at full speed	1 pc.	2034969
			V-belt pulley		22 kW at idle/36 kW at full speed; 27 kW at idle/44 kW at full speed		2034929
SUPER 2100-2 IP	0719	727 - 852	V-belt		27 kW at idle/44 kW at full speed	1 pc.	2034969
		727 - 9999	V-belt pulley		27 kW at idle/44 kW at full speed		2034929
		853 - 9999	V-belt		27 kW at idle/44 kW at full speed	1 pc.	2131259
SUPER 1800-2 SJ	1182	10 - 9999	V-belt		13 kW at idle/18 kW at full speed; 22 kW at idle/36 kW at full speed; 27 kW at idle/44 kW at full speed	1 pc.	2028978
			V-belt pulley		13 kW at idle/18 kW at full speed; 22 kW at idle/36 kW at full speed; 27 kW at idle/44 kW at full speed		2009797

**PRESSURE BARS**

VÖGELE pressure bars use pulsed-flow hydraulics to maximise the degree of compaction and are thus subject to extreme loads.



PRESSURE BARS							
Series code	Serial code	Pressure bar designation	Screed version	Position	Extension	Version	Part no.
AB 500	10AB	P1	TP2	Basic screed, left			2004020
		P2	TP1; TP2	Screed extension, right	0.225 m		4611353686
		P2	TP1; TP2	Basic screed, left			2004023
		P2	TP1; TP2	Basic screed, right			2004024
		P1	TP2	Extending screed, left			2004025
		P1	TP2	Extending screed, right			2004026
		P2	TP1; TP2	Extending screed, left			2004027
		P2	TP1; TP2	Extending screed, right			2004028
		P1	TP2	Screed extension, left	0.75 m		2004600
		P1	TP2	Screed extension, right	0.75 m		2004601
		P2	TP1; TP2	Screed extension, left	0.75 m		2004603
		P2	TP1; TP2	Screed extension, right	0.75 m		2004604
		P1	TP2	Screed extension, left	1.25 m		2004610
		P1	TP2	Screed extension, right	1.25 m		2004611
		P2	TP1; TP2	Screed extension, left	1.25 m		2004612
		P2	TP1; TP2	Screed extension, right	1.25 m		2004613
		P1	TP2	Screed extension, left	0.225 m		4611353681
		P1	TP2	Screed extension, right	0.225 m		4611353683
		P2	TP1; TP2	Screed extension, left	0.225 m		4611353685
		P1	TP2	Basic screed, right			2004022



PRESSURE BARS							
Series code	Serial code	Pressure bar designation	Screed version	Position	Extension	Version	Part no.
AB 500-2	15AB	P2	TP1; TP2	Extending screed, right			2004028
		P2	TP1; TP2	Screed extension, right	0.25 m		2041253
		P1	TP2	Screed extension, right	0.75 m		2004601
		P2	TP1; TP2	Screed extension, left	0.75 m		2004603
		P2	TP1; TP2	Screed extension, right	0.75 m		2004604
		P1	TP2	Screed extension, left	1.25 m		2004610
		P1	TP2	Screed extension, right	1.25 m		2004611
		P2	TP1; TP2	Screed extension, left	1.25 m		2004612
		P1	TP2	Basic screed, left			2004020
		P1	TP2	Basic screed, right			2004022
		P2	TP1; TP2	Basic screed, left			2004023
		P2	TP1; TP2	Basic screed, right			2004024
		P1	TP2	Extending screed, left			2004025
		P1	TP2	Extending screed, right			2004026
		P2	TP1; TP2	Extending screed, left			2004027
		P2	TP1; TP2	Screed extension, right	1.25 m		2004613
		P1	TP2	Screed extension, left	0.25 m		2041249
		P1	TP2	Screed extension, right	0.25 m		2041251
		P2	TP1; TP2	Screed extension, left	0.25 m		2041252
		P1	TP2	Screed extension, left	0.75 m		2004600
AB 500-3	24AB	P1	TP2	Basic screed, left			2004020
		P2	TP1; TP2	Screed extension, right	0.25 m		2041253
		P2	TP1; TP2	Basic screed, left			2004023
		P2	TP1; TP2	Basic screed, right			2004024
		P1	TP2	Extending screed, left			2004025
		P1	TP2	Extending screed, right			2004026

PRESSURE BARS							
Series code	Serial code	Pressure bar designation	Screed version	Position	Extension	Version	Part no.
AB 500-3	24AB	P2	TP1; TP2	Extending screed, left			2004027
		P2	TP1; TP2	Extending screed, right			2004028
		P1	TP2	Screed extension, left	0.75 m		2004600
		P1	TP2	Screed extension, right	0.75 m		2004601
		P2	TP1; TP2	Screed extension, left	0.75 m		2004603
		P2	TP1; TP2	Screed extension, right	0.75 m		2004604
		P1	TP2	Screed extension, left	1.25 m		2004610
		P1	TP2	Screed extension, right	1.25 m		2004611
		P2	TP1; TP2	Screed extension, left	1.25 m		2004612
		P2	TP1; TP2	Screed extension, right	1.25 m		2004613
		P1	TP2	Screed extension, left	0.25 m		2041249
		P1	TP2	Screed extension, right	0.25 m		2041251
		P2	TP1; TP2	Screed extension, left	0.25 m		2041252
		P1	TP2	Basic screed, right			2004022
AB 600	11AB	P2	TP1; TP2	Basic screed, left			2004575
		P1	TP2	Basic screed, right			2004574
		P1	TP2	Extending screed, left			2004577
		P1	TP2	Extending screed, right			2004578
		P2	TP1; TP2	Extending screed, left			2004579
		P2	TP1; TP2	Extending screed, right			2004580
		P1	TP2	Screed extension, left	0.75 m		2004600
		P1	TP2	Screed extension, right	0.75 m		2004601
		P2	TP2; TP1	Screed extension, left	0.75 m		2004603
		P2	TP2; TP1	Screed extension, right	0.75 m		2004604
		P1	TP2	Screed extension, left	1.25 m		2004610
		P1	TP2	Screed extension, right	1.25 m		2004611



PRESSURE BARS							
Series code	Serial code	Pressure bar designation	Screed version	Position	Extension	Version	Part no.
AB 600	11AB	P2	TP2; TP1	Screed extension, left	1.25 m		2004612
		P2	TP2; TP1	Screed extension, right	1.25 m		2004613
		P1	TP2	Screed extension, left	0.225 m		4611353681
		P1	TP2	Screed extension, right	0.225 m		4611353683
		P2	TP2; TP1	Screed extension, left	0.225 m		4611353685
		P2	TP2; TP1	Screed extension, right	0.225 m		4611353686
		P1	TP2	Basic screed, left			2004573
		P2	TP1; TP2	Basic screed, right			2004576
AB 600-2	17AB	P1	TP2	Basic screed, left			2004573
		P2	TP1; TP2	Screed extension, right	0.25 m		2041253
		P2	TP1; TP2	Basic screed, left			2004575
		P2	TP1; TP2	Basic screed, right			2004576
		P1	TP2	Extending screed, left			2004577
		P1	TP2	Extending screed, right			2004578
		P2	TP1; TP2	Extending screed, left			2004579
		P2	TP1; TP2	Extending screed, right			2004580
		P1	TP2	Screed extension, left	0.75 m		2004600
		P1	TP2	Screed extension, right	0.75 m		2004601
		P2	TP1; TP2	Screed extension, left	0.75 m		2004603
		P2	TP1; TP2	Screed extension, right	0.75 m		2004604
		P1	TP2	Screed extension, left	1.25 m		2004610
		P1	TP2	Screed extension, right	1.25 m		2004611
		P2	TP1; TP2	Screed extension, left	1.25 m		2004612
		P2	TP1; TP2	Screed extension, right	1.25 m		2004613
		P1	TP2	Screed extension, left	0.25 m		2041249
		P1	TP2	Screed extension, right	0.25 m		2041251

Original VÖGELE  
**SCREED**

PRESSURE BARS							
Series code	Serial code	Pressure bar designation	Screed version	Position	Extension	Version	Part no.
AB 600-2	17AB	P2	TP1; TP2	Screed extension, left	0.25 m		2041252
		P1	TP2	Basic screed, right			2004574
AB 600-3	26AB	P1	TP2	Basic screed, left			2004573
		P1	TP2	Basic screed, right			2004574
		P2	TP1; TP2	Basic screed, left			2004575
		P2	TP1; TP2	Basic screed, right			2004576
		P1	TP2	Extending screed, left			2004577
		P1	TP2	Extending screed, right			2004578
		P2	TP1; TP2	Extending screed, left			2004579
		P2	TP1; TP2	Extending screed, right			2004580
		P1	TP2	Screed extension, left	0.75 m		2004600
		P1	TP2	Screed extension, right	0.75 m		2004601
		P2	TP1; TP2	Screed extension, left	0.75 m		2004603
		P2	TP1; TP2	Screed extension, right	0.75 m		2004604
		P1	TP2	Screed extension, left	1.25 m		2004610
		P1	TP2	Screed extension, right	1.25 m		2004611
		P2	TP1; TP2	Screed extension, left	1.25 m		2004612
		P2	TP1; TP2	Screed extension, right	1.25 m		2004613
		P1	TP2	Screed extension, left	0.25 m		2041249
		P1	TP2	Screed extension, right	0.25 m		2041251
		P2	TP1; TP2	Screed extension, left	0.25 m		2041252
		P2	TP1; TP2	Screed extension, right	0.25 m		2041253
SB 250	02SB	P2	TP1; TP2	Screed extension, left	0.25 m		4611353116
		P1	TP2	Screed extension, right	0.25 m		4611353119
		P2	TP1; TP2	Screed extension, right	0.25 m		4611353120
		P1	TP2	Screed extension, left	0.5 m		4611353123



PRESSURE BARS							
Series code	Serial code	Pressure bar designation	Screed version	Position	Extension	Version	Part no.
SB 250	02SB	P2	TP1; TP2	Screed extension, left	0.5 m		4611353124
		P1	TP2	Screed extension, right	0.5 m		4611353127
		P2	TP1; TP2	Screed extension, right	0.5 m		4611353128
		P1	TP2	Screed extension, left	1.0 m		4611353131
		P2	TP1; TP2	Screed extension, left	1.0 m		4611353132
		P1	TP2	Screed extension, right	1.0 m		4611353135
		P2	TP1; TP2	Screed extension, right	1.0 m		4611353136
		P1	TP2	Screed extension, left	1.5 m		4611353139
		P2	TP1; TP2	Screed extension, left	1.5 m		4611353140
		P1	TP2	Screed extension, right	1.5 m		4611353143
		P2	TP1; TP2	Screed extension, right	1.5 m		4611353144
		P1	TP2	Basic screed, left			4611353210
		P1	TP2	Basic screed, right			4611353211
		P2	TP1; TP2	Basic screed, left			4611353212
		P2	TP1; TP2	Basic screed, right			4611353213
		P2	TP1; TP2	Screed extension, left	0.75 m	telescoping	4611353465
		P2	TP1; TP2	Screed extension, right	0.75 m	telescoping	4611353466
		P1	TP2	Screed extension, left	0.75 m	telescoping	4611353467
		P1	TP2	Screed extension, right	0.75 m	telescoping	4611353468
		SB 250-2	05SB	P2	TP1; TP2	Basic screed, right	
P2	TP1; TP2			Basic screed, left			4611353212
P2	TP1; TP2			Screed extension, right	0.75 m	telescoping	4611353466
P1	TP2			Screed extension, left	0.75 m	telescoping	4611353467
P1	TP2			Screed extension, right	0.75 m	telescoping	4611353468
P1	TP2			Screed extension, left	0.25 m		4611353115

PRESSURE BARS									
Series code	Serial code	Pressure bar designation	Screed version	Position	Extension	Version	Part no.		
SB 250-2	05SB	P2	TP1; TP2	Screed extension, left	0.25 m		4611353116		
		P1	TP2	Screed extension, right	0.25 m		4611353119		
		P2	TP1; TP2	Screed extension, right	0.25 m		4611353120		
		P1	TP2	Screed extension, left	0.5 m		4611353123		
		P2	TP1; TP2	Screed extension, left	0.5 m		4611353124		
		P1	TP2	Screed extension, right	0.5 m		4611353127		
		P2	TP1; TP2	Screed extension, right	0.5 m		4611353128		
		P1	TP2	Screed extension, left	1.0 m		4611353131		
		P2	TP1; TP2	Screed extension, left	1.0 m		4611353132		
		P1	TP2	Screed extension, right	1.0 m		4611353135		
		P2	TP1; TP2	Screed extension, right	1.0 m		4611353136		
		P1	TP2	Screed extension, left	1.5 m		4611353139		
		P2	TP1; TP2	Screed extension, left	1.5 m		4611353140		
		P1	TP2	Screed extension, right	1.5 m		4611353143		
		P2	TP1; TP2	Screed extension, right	1.5 m		4611353144		
		P1	TP2	Basic screed, left			4611353210		
		P1	TP2	Basic screed, right			4611353211		
		P2	TP1; TP2	Screed extension, left	0.75 m	telescoping	4611353465		
		SB 300	03SB	P1	TP2	Basic screed, left			4611353107
				P1	TP2	Screed extension, right	0.75 m	telescoping	4611353468
P2	TP1; TP2			Basic screed, left			4611353109		
P2	TP1; TP2			Basic screed, right			4611353110		
P1	TP2			Screed extension, left	0.25 m		4611353115		
P2	TP1; TP2			Screed extension, left	0.25 m		4611353116		
P1	TP2			Screed extension, right	0.25 m		4611353119		
P2	TP1; TP2			Screed extension, right	0.25 m		4611353120		





PRESSURE BARS							
Series code	Serial code	Pressure bar designation	Screed version	Position	Extension	Version	Part no.
SB 300	03SB	P1	TP2	Screed extension, left	0.5 m		4611353123
		P2	TP1; TP2	Screed extension, left	0.5 m		4611353124
		P1	TP2	Screed extension, right	0.5 m		4611353127
		P2	TP1; TP2	Screed extension, right	0.5 m		4611353128
		P1	TP2	Screed extension, left	1.0 m		4611353131
		P2	TP1; TP2	Screed extension, left	1.0 m		4611353132
		P1	TP2	Screed extension, right	1.0 m		4611353135
		P2	TP1; TP2	Screed extension, right	1.0 m		4611353136
		P1	TP2	Screed extension, left	1.5 m		4611353139
		P2	TP1; TP2	Screed extension, left	1.5 m		4611353140
		P1	TP2	Screed extension, right	1.5 m		4611353143
		P2	TP1; TP2	Screed extension, right	1.5 m		4611353144
		P2	TP1; TP2	Screed extension, left	0.75 m	telescoping	4611353465
		P2	TP1; TP2	Screed extension, right	0.75 m	telescoping	4611353466
		P1	TP2	Screed extension, left	0.75 m	telescoping	4611353467
		SB 300-2	06SB	P1	TP2	Basic screed, right	
P1	TP2			Basic screed, left			4611353107
P1	TP2			Screed extension, right	0.75 m	telescoping	4611353468
P2	TP1; TP2			Basic screed, left			4611353109
P2	TP1; TP2			Basic screed, right			4611353110
P1	TP2			Screed extension, left	0.25 m		4611353115
P2	TP1; TP2			Screed extension, left	0.25 m		4611353116
P1	TP2			Screed extension, right	0.25 m		4611353119
P2	TP1; TP2			Screed extension, right	0.25 m		4611353120
P1	TP2			Screed extension, left	0.5 m		4611353123
P2	TP1; TP2			Screed extension, left	0.5 m		4611353124

PRESSURE BARS							
Series code	Serial code	Pressure bar designation	Screed version	Position	Extension	Version	Part no.
SB 300-2	06SB	P1	TP2	Screed extension, right	0.5 m		4611353127
		P2	TP1; TP2	Screed extension, right	0.5 m		4611353128
		P1	TP2	Screed extension, left	1.0 m		4611353131
		P2	TP1; TP2	Screed extension, left	1.0 m		4611353132
		P1	TP2	Screed extension, right	1.0 m		4611353135
		P2	TP1; TP2	Screed extension, right	1.0 m		4611353136
		P1	TP2	Screed extension, left	1.5 m		4611353139
		P2	TP1; TP2	Screed extension, left	1.5 m		4611353140
		P1	TP2	Screed extension, right	1.5 m		4611353143
		P2	TP1; TP2	Screed extension, right	1.5 m		4611353144
		P2	TP1; TP2	Screed extension, left	0.75 m	telescoping	4611353465
		P2	TP1; TP2	Screed extension, right	0.75 m	telescoping	4611353466
		P1	TP2	Screed extension, left	0.75 m	telescoping	4611353467
		P1	TP2	Basic screed, right			4611353108
SB 300-3	09SB	P2	TP1; TP2	Screed extension, left	0.25 m		2041252
		P2	TP1; TP2	Screed extension, right	0.25 m		2041253
		P1	TP2	Screed extension, right	0.25 m		2041251
		P1	TP2	Screed extension, left	0.25 m		2041249
		P1	TP2	Screed extension, right	1.5 m		2584104
		P2	TP1; TP2	Screed extension, left	1.5 m		2583873
		P2	TP1; TP2	Screed extension, right	0.5 m		2620848
		P2	TP1; TP2	Screed extension, left	1.25 m	telescoping	2589840
		P1	TP2	Screed extension, right	0.5 m		2620807
		P2	TP1; TP2	Screed extension, left	0.5 m		2614791
		P2	TP1; TP2	Screed extension, right	1.25 m	telescoping	2591478
		P1	TP2	Screed extension, left	0.5 m		2614786



PRESSURE BARS							
Series code	Serial code	Pressure bar designation	Screed version	Position	Extension	Version	Part no.
SB 300-3	09SB	P1	TP2	Basic screed, right			2586873
		P1	TP2	Basic screed, left			2585629
		P2	TP1; TP2	Basic screed, right			2585628
		P2	TP1; TP2	Basic screed, left			2585396
		P1	TP2	Screed extension, left	1.5 m		2584026
		P2	TP1; TP2	Screed extension, right	1.0 m		2582977
		P1	TP2	Screed extension, left	1.25 m	telescoping	2598483
		P2	TP1; TP2	Screed extension, right	1.5 m		2583960
		P2	TP1; TP2	Screed extension, left	1.0 m		2582875
		P1	TP2	Screed extension, right	1.0 m		2582521
		P1	TP2	Screed extension, left	1.0 m		2582381
		P1	TP2	Screed extension, right	1.25 m	telescoping	2598488
SB 350-3	10SB	P1	TP2	Screed extension, left	1.0 m		2582381
		P2	TP1; TP2	Screed extension, left	1.25 m	telescoping	2589840
		P2	TP1; TP2	Screed extension, left	0.25 m		2041252
		P2	TP1; TP2	Screed extension, right	0.5 m		2620848
		P1	TP2	Screed extension, right	1.25 m	telescoping	2598488
		P2	TP1; TP2	Screed extension, right	1.5 m		2583960
		P2	TP1; TP2	Screed extension, right	0.25 m		2041253
		P1	TP2	Screed extension, left	0.5 m		2614786
		P1	TP2	Screed extension, left	1.25 m	telescoping	2598483
		P1	TP2	Screed extension, right	0.25 m		2041251
		P2	TP1; TP2	Basic screed, left			2597818
		P2	TP1; TP2	Basic screed, right			2598020
		P1	TP2	Basic screed, left			2597840
		P2	TP1; TP2	Screed extension, right	1.0 m		2582977

PRESSURE BARS							
Series code	Serial code	Pressure bar designation	Screed version	Position	Extension	Version	Part no.
SB 350-3	10SB	P1	TP2	Screed extension, right	1.5 m		2584104
		P1	TP2	Screed extension, left	0.25 m		2041249
		P2	TP1; TP2	Screed extension, left	0.5 m		2614791
		P2	TP1; TP2	Screed extension, left	1.5 m		2583873
		P1	TP2	Screed extension, right	0.5 m		2620807
		P1	TP2	Screed extension, left	1.5 m		2584026
		P2	TP1; TP2	Screed extension, right	1.25 m	telescoping	2591478
		P1	TP2	Basic screed, right			2598031
		P1	TP2	Screed extension, right	1.0 m		2582521
		P2	TP1; TP2	Screed extension, left	1.0 m		2582875

### SERVICE PACKAGE FOR SCREEDS

The service packages for screeds ensure that you are always optimally equipped to quickly replace your screed's most important wear and spare parts. The package includes all the screed plates, tamper bars, pressure bars, heating rods and spring steel strips as well as the complete insulation and mounting material.



SERVICE PACKAGE FOR SCREEDS								
Series code	Serial code	Series range	Berm	Screed plate size	Screed plate depth	Screed version	Version	Part no.
AB 200	12AB	10 - 289		10 mm	300 mm	TV		2037578
		10 - 546		10 mm	300 mm	V		2037577
		290 - 9999		10 mm	300 mm	TV		2049834
		547 - 9999		10 mm	300 mm	V		2074368
AB 220-3	28AB	10 - 9999		10 mm	300 mm	V		2436324
				10 mm	300 mm	TV		2436327



SERVICE PACKAGE FOR SCREEDS								
Series code	Serial code	Series range	Berm	Screed plate size	Screed plate depth	Screed version	Version	Part no.
AB 340	13AB	10 - 492		10 mm	300 mm	V		2069226
		10 - 9999		12 mm	300 mm	TV		2069225
		493 - 9999		10 mm	300 mm	V		2135330
AB 340-3	27AB	10 - 9999		10 mm	300 mm	V		2318801
				12 mm	300 mm	TV		2318821
AB 480-3	29AB	10 - 9999		12 mm	300 mm	TV		2468272
AB 500	10AB	10 - 9999		15 mm	300 mm	TV		2009421
				15 mm	300 mm	TP1		2009422
				15 mm	300 mm	TP2		2009423
				15 mm	330 mm	TV		2047365
AB 500-2	14AB	10 - 9999		15 mm	330 mm	TV		2051692
	15AB	10 - 9999		15 mm	330 mm	TP1		2051693
				15 mm	330 mm	TP2		2051694
AB 500-3	23AB	10 - 9999		12 mm	320 mm	TV		2310096
	24AB	10 - 9999		12 mm	320 mm	TP1		2310251
				12 mm	320 mm	TP2		2310253
AB 600	11AB	10 - 9999		15 mm	300 mm	TV		2013177
				15 mm	330 mm	TV		2047510
				15 mm	300 mm	TP2		2013179
				15 mm	300 mm	TP1		2013178
AB 600-2	16AB	10 - 9999		15 mm	330 mm	TV		2073390
	17AB	10 - 9999		15 mm	330 mm	TP1		2073391
				15 mm	330 mm	TP2		2073392
AB 600-3	25AB	10 - 9999		12 mm	320 mm	TV		2310246
	26AB	10 - 9999		12 mm	320 mm	TP2		2310306
				12 mm	320 mm	TP1		2310305

Original VÖGELE  
**SCREED**

SERVICE PACKAGE FOR SCREEDS								
Series code	Serial code	Series range	Berm	Screed plate size	Screed plate depth	Screed version	Version	Part no.
VF 500-2	19AB	10 - 9999		12 mm	300 mm	V	complete standard, 90°	2478782
			12-inch berm, left	12 mm	300 mm	V	Extending parts	2537176
			12-inch berm, right	12 mm	300 mm	V	Extending parts	2537181
			18-inch berm, left	12 mm	300 mm	V	Extending parts	2537184
			18-inch berm, right	12 mm	300 mm	V	Extending parts	2537187
			24-inch berm, left	12 mm	300 mm	V	Extending parts	2537192
			24-inch berm, right	12 mm	300 mm	V	Extending parts	2537196
			without berm, left, 60°	12 mm	300 mm	V	Extending parts	2584382
			without berm, right, 90°	12 mm	300 mm	V	Extending parts	2478727
			without berm, left, 90°	12 mm	300 mm	V	Extending parts	2478724
			without berm, right, 60°	12 mm	300 mm	V	Extending parts	2584383
				12 mm	300 mm	V	complete standard, 60°	2584475
VF 600-2	20AB	10 - 9999		12 mm	300 mm	V	complete standard, 90°	2478737
				12 mm	300 mm	V	complete standard, 60°	2584474
		29 - 9999	12-inch berm, left	12 mm	300 mm	V	Extending parts	2537486
			without berm, right, 60°	12 mm	300 mm	V	Extending parts	2584386
			18-inch berm, left	12 mm	300 mm	V	Extending parts	2537496



SERVICE PACKAGE FOR SCREEDS								
Series code	Serial code	Series range	Berm	Screed plate size	Screed plate depth	Screed version	Version	Part no.
VF 600-2	20AB	29 - 9999	18-inch berm, right	12 mm	300 mm	V	Extending parts	2537497
			24-inch berm, left	12 mm	300 mm	V	Extending parts	2537499
			24-inch berm, right	12 mm	300 mm	V	Extending parts	2537501
			without berm, left, 60°	12 mm	300 mm	V	Extending parts	2584384
			without berm, right, 90°	12 mm	300 mm	V	Extending parts	2478713
			without berm, left, 90°	12 mm	300 mm	V	Extending parts	2478703
			12-inch berm, right	12 mm	300 mm	V	Extending parts	2537495
VR 600-2	18AB	10 - 9999		12 mm	300 mm	V		2204910
SB 250	02SB	10 - 9999		15 mm	300 mm	TP1		4617500027
				15 mm	300 mm	TV		4617500026
				15 mm	300 mm	TP2		4617500028
SB 250-2	05SB	10 - 9999		15 mm	300 mm	TP1		2166154
				15 mm	300 mm	TV		2166153
				15 mm	300 mm	TP2		2166155
SB 300	03SB	10 - 9999		15 mm	300 mm	TV		4617500029
				15 mm	300 mm	TP1		4617500030
				15 mm	300 mm	TP2		4617500031
SB 300-2	06SB	10 - 9999		15 mm	300 mm	TV		2166156
				15 mm	300 mm	TP1		2166157
				15 mm	300 mm	TP2		2166158
VF 500-3	30AB	10 - 9999		12 mm	610 mm	V	Extending parts	2687901
			without berm, left, 60°	12 mm	300 mm	V	complete, left, w/o berm, 60°	2584382

SERVICE PACKAGE FOR SCREEDS								
Series code	Serial code	Series range	Berm	Screed plate size	Screed plate depth	Screed version	Version	Part no.
VF 500-3	30AB	10 - 9999	without berm, right, 60°	12 mm	300 mm	V	complete, right, w/o berm, 60°	2584383
						V	Heating rods	3027027
				12 mm	610 mm	V	Basic screed	2687896
VF 600-3	31AB	10 - 9999				V	Heating rods	3027029
				12 mm	610 mm	V	Basic screed	2687910
				12 mm	610 mm	V	Extending parts	2687918
			without berm, left, 60°	12 mm	300 mm	V	complete, left, w/o berm, 60°	2584384
			without berm, right, 60°	12 mm	300 mm	V	complete, right, w/o berm, 60°	2584386
AB 220	36AB	10 - 9999		10 mm	300 mm	V		2436324
				10 mm	300 mm	TV		2436327
SB 300-3	07SB	10 - 9999		12 mm	450 mm	TV		2640660
				12 mm	450 mm	TV	HD	2640746
SB 350-3	08SB	10 - 9999		12 mm	450 mm	TV		2641247
SB 300-3	09SB	10 - 9999		12 mm	450 mm	TP2		2641284
				12 mm	450 mm	TP1		2641273
SB 350-3	10SB	10 - 9999		12 mm	450 mm	TP1		2641664
				12 mm	450 mm	TP2		2641672





## SERVICE PACKAGE FOR SCREED EXTENSIONS

In addition to screed plates, tamper bars and pressure bars, the service package for VÖGELE screed extensions also includes heating rods and spring steel strips as well as the complete insulation and mounting material. In other words, everything you need to maintain and repair your screed extension.



SERVICE PACKAGE FOR SCREED EXTENSIONS						
Series code	Serial code	Series range	Screed plate depth	Berm	Screed version	Part no.
AB 200	12AB	10 - 546			V	2037579
		10 - 9999			TV	2037580
					TV	2037581
		547 - 9999			V	2074369
AB 220-3	28AB	10 - 9999			V	2436328
					TV	2436330
					TV	2436329
AB 340	13AB	10 - 492			V	2069228
		10 - 9999			TV	2069227
					TV	2069229
		402 - 9999			TV	2160123
		493 - 9999			V	2135333
		623 - 9999			TV	2184162
		814 - 9999			V	2225607
AB 340-3	27AB	10 - 9999			TV	2318857
					V	2135333
					TV	2318853
					V	2318842
					TV	2318834
AB 480-3	29AB	10 - 9999			TV	2468284

SERVICE PACKAGE FOR SCREED EXTENSIONS						
Series code	Serial code	Series range	Screed plate depth	Berm	Screed version	Part no.
AB 480-3	29AB	10 - 9999			TV	2518086
					TV	2518084
AB 500	10AB	10 - 9999	300 mm		TV	2009424
			300 mm		TP1	2009425
			300 mm		TP2	2009426
			300 mm		TV	2013180
			300 mm		TP1	2013181
			330 mm		TV	2047511
			300 mm		TP1	2013183
			300 mm		TP2	2013184
			300 mm		TV	2013200
			330 mm		TV	2047509
AB 500-2	14AB	10 - 9999			TV	2051719
					TV	2051736
					TV	2051728
	15AB	10 - 9999			TP1	2051720
					TP2	2051721
					TP2	2051738
					TP2	2051730
					TP1	2051737
					TP1	2051729
AB 500-3	23AB	10 - 9999			TV	2310232
					TV	2310239
					TV	2310237
	24AB	10 - 9999			TP1	2310296



SERVICE PACKAGE FOR SCREED EXTENSIONS						
Series code	Serial code	Series range	Screed plate depth	Berm	Screed version	Part no.
AB 500-3	24AB	10 - 9999			TP2	2310297
					TP2	2310303
					TP2	2310299
					TP1	2310302
					TP1	2310298
AB 600	11AB	10 - 9999	300 mm		TV	2009424
			300 mm		TP1	2009425
			300 mm		TP2	2009426
			300 mm		TV	2013180
			300 mm		TP1	2013181
			330 mm		TV	2047511
			300 mm		TP1	2013183
			300 mm		TP2	2013184
			300 mm		TV	2013200
			330 mm		TV	2047509
			300 mm		TP2	2013182
			AB 600-2	16AB	10 - 9999	
		TV				2051736
		TV				2051728
17AB	10 - 9999				TP1	2051720
					TP2	2051721
					TP2	2051738
					TP2	2051730
					TP1	2051737
		TP1	2051729			
AB 600-3	25AB	10 - 9999			TV	2310232

SERVICE PACKAGE FOR SCREED EXTENSIONS						
Series code	Serial code	Series range	Screed plate depth	Berm	Screed version	Part no.
AB 600-3	25AB	10 - 9999			TV	2310239
					TV	2310237
	26AB	10 - 9999			TP1	2310296
					TP2	2310297
					TP2	2310303
					TP2	2310299
					TP1	2310302
					TP1	2310298
VF 500-2	19AB	10 - 9999		12-inch berm	V	2307061
					V	2584390
					V	2584387
				24-inch berm	V	2307064
		29 - 9999		12-inch berm	V	2307061
				24-inch berm	V	2307064
VF 600-2	20AB	10 - 9999			V	2584390
					V	2584387
				24-inch berm	V	2307064
				12-inch berm	V	2307061
VR 600-2	18AB	10 - 9999			V	2228882
SB 250	02SB	10 - 9999			TP2	4617500037
					TV	4617500038
					TP1	4617500039
					TP1	4617500036
					TV	4617500035
					TP2	4617500034
					TP1	4617500033



SERVICE PACKAGE FOR SCREED EXTENSIONS						
Series code	Serial code	Series range	Screeed plate depth	Berm	Screeed version	Part no.
SB 250	02SB	10 - 9999			TP2	2047483
					TV	4617500032
					TP2	4617500043
					TP1	4617500042
					TV	4617500041
					TP2	4617500040
					TP1	2047481
					TV	2047480
SB 250-2	05SB	10 - 9999			TV	2166451
					TP2	2166468
					TP2	2166453
					TV	2166454
					TP1	2166455
					TP2	2166456
					TV	2166459
					TP1	2166460
					TP1	2166467
					TV	2166465
					TP2	2166464
					TP1	2166463
					TV	2166462
					TP2	2166461
					TP1	2166452
SB 300	03SB	10 - 9999			TV	2047480
					TP1	2047481
					TP2	2047483

SERVICE PACKAGE FOR SCREED EXTENSIONS						
Series code	Serial code	Series range	Screed plate depth	Berm	Screed version	Part no.
SB 300	03SB	10 - 9999			TV	4617500032
					TP1	4617500033
					TP2	4617500034
					TV	4617500035
					TP1	4617500036
					TP2	4617500037
					TV	4617500038
					TP1	4617500039
					TP2	4617500040
					TV	4617500041
					TP1	4617500042
					TP2	4617500043
SB 300-2	06SB	10 - 9999			TV	2166451
					TP2	2166468
					TP2	2166453
					TV	2166454
					TP1	2166455
					TP2	2166456
					TV	2166459
					TP1	2166460
					TP2	2166461
					TV	2166462
					TP1	2166463
					TP2	2166464
		TV	2166465			
		TP1	2166467			



SERVICE PACKAGE FOR SCREED EXTENSIONS						
Series code	Serial code	Series range	Screed plate depth	Berm	Screed version	Part no.
SB 300-2	06SB	10 - 9999			TP1	2166452
VF 500-3	30AB	10 - 9999			V	2584390
					V	2584387
VF 600-3	31AB	10 - 9999			V	2584387
					V	2584390
AB 220	36AB	10 - 9999			V	2436328
					TV	2436329
					TV	2436330
SB 300-3	07SB	10 - 9999			T	2640816
					T	2640811
					TV	2640798
					TV	2640823
					TV	2640867
					TV	2640870
					TV	2640879
					TV	2640883
					TV	2640896
					TV	2763291
SB 350-3	08SB	10 - 9999			TV	2763284
					TV	2763291
					TV	2640883
					TV	2640870
					TV	2640823
					T	2640811
					TV	2640798

SERVICE PACKAGE FOR SCREED EXTENSIONS						
Series code	Serial code	Series range	Screed plate depth	Berm	Screed version	Part no.
SB 300-3	09SB	10 - 9999			TP2	2641426
					TP1	2641411
					TP2	2641405
					TP1	2641322
					TP2	2641316
					TP1	2641294
					TP1	2641436
					TP1	2763470
					TP2	2763431
					TP1	2763401
					TP2	2641550
					TP1	2641535
					TP2	2641525
					TP2	2763478
SB 350-3	10SB	10 - 9999			TP1	2763470
					TP2	2763431
					TP1	2763401
					TP2	2641550
					TP1	2641535
					TP2	2641525
					TP1	2641294
					TP2	2641316
					TP1	2641322
					TP2	2641405
					TP1	2641411
					TP2	2763478





### SERVICE PACKAGE FOR SCREED EXTENSIONS

Series code	Serial code	Series range	Screeed plate depth	Berm	Screeed version	Part no.
SB 350-3	10SB	10 - 9999			TP1	2641436
					TP2	2641426

### TAMPER BAR

VÖGELE tamper bars are made of a highly wear-resistant steel alloy that ensures these particularly heavily stressed parts enjoy a long service life.



### TAMPER BAR

Series code	Serial code	Series range	Version	Screeed ver- sion	Position	Extension	Please note	Part no.
AB 200	12AB	10 - 289		TV	Basic screeed, left; Basic screeed, right			2014805
		10 - 9999		TV	Extending screeed, left; Extending screeed, right			2020273
				TV	Screeed ex- tension, left; Screeed ex- tension, right	0.35 m		2028210
				TV	Screeed ex- tension, left; Screeed ex- tension, right	0.6 m		2030843
		290 - 9999		TV	Basic screeed, left; Basic screeed, right			2049732
AB 220-3	28AB	10 - 9999		TV	Basic screeed, left; Basic screeed, right			2339107
				TV	Screeed ex- tension, left; Screeed ex- tension, right	0.65 m		2376248

Original VÖGELE  
**SCREED**

TAMPER BAR								
Series code	Serial code	Series range	Version	Screed version	Position	Extension	Please note	Part no.
AB 220-3	28AB	10 - 9999		TV	Screed extension, left; Screed extension, right	0.5 m		2374331
				TV	Extending screed, left; Extending screed, right			2339128
AB 340	13AB	10 - 9999		TV	Basic screed, left; Basic screed, right			2043707
				TV	Screed extension, left; Screed extension, right	0.4 m		2051125
				TV	Screed extension, left; Screed extension, right	0.55 m		2046991
				TV	Extending screed, left; Extending screed, right			2043892
AB 340-3	27AB	10 - 9999		TV	Basic screed, left; Basic screed, right			2234960
				TV	Extending screed, left; Extending screed, right			2235761
				TV	Screed extension, right	0.25 m		2260205
				TV	Screed extension, left; Screed extension, right	0.55 m		2255578
				TV	Screed extension, left	0.25 m		2259636
				TV	Screed extension, left; Screed extension, right	0.8 m		2254820
AB 480-3	29AB	10 - 9999	"Dash 3" version	TV	Basic screed, left			2202733
			"Dash 3" version	TV	Basic screed, right			2202847
			"Dash 3" version	TV	Extending screed, left			2202970
			"Dash 3" version	TV	Extending screed, right			2203022



TAMPER BAR								
Series code	Serial code	Series range	Version	Screed version	Position	Extension	Please note	Part no.
AB 480-3	29AB	10 - 9999		TV	Screed extension, left	1.25 m		2246446
				TV	Screed extension, right	0.6 m		2358094
				TV	Screed extension, left	0.75 m		2246755
				TV	Screed extension, right	0.75 m		2246761
				TV	Screed extension, left	0.25 m		2247041
				TV	Screed extension, right	0.25 m		2247043
				TV	Screed extension, left	0.6 m		2354575
				TV	Screed extension, right	1.25 m		2246448
AB 500	10AB	10 - 9999	"Dash 2" version	TV; TP	Basic screed, left			2003833
			"Dash 2" version	TV; TP	Basic screed, right			2003834
			"Dash 2" version	TV; TP	Extending screed, left			2003835
			"Dash 2" version	TV; TP	Extending screed, right			2003836
				TV; TP	Screed extension, right	0.225 m		4611353676
				TV; TP	Screed extension, right	0.75 m		2038931
				TV; TP	Screed extension, left	1.25 m		2038932
				TV; TP	Screed extension, right	1.25 m		2038933
				TV; TP	Screed extension, left	0.225 m		4611353675
				TV; TP	Screed extension, left	0.75 m		2038930
AB 500-2	14AB	10 - 9999	"Dash 2" version	TV	Basic screed, left			2003833
			"Dash 2" version	TV	Basic screed, right			2003834
			"Dash 2" version	TV	Extending screed, left			2003835
			"Dash 2" version	TV	Extending screed, right			2003836

Original VÖGELE  
**SCREED**

TAMPER BAR								
Series code	Serial code	Series range	Version	Screed version	Position	Extension	Please note	Part no.
AB 500-2	14AB	10 - 9999	"Dash 3" version	TV	Basic screed, left		When upgrading to the "Dash 3" tamper bar version, the wear strips also need to be replaced: 4x 2261005	2202733
			"Dash 3" version	TV	Basic screed, right		When upgrading to the "Dash 3" tamper bar version, the wear strips also need to be replaced: 4x 2261005	2202847
				TV	Screed extension, right	0.25 m		2247043
			"Dash 3" version	TV	Extending screed, right		When upgrading to the "Dash 3" tamper bar version, the wear strips also need to be replaced: 4x 2261005	2203022
				TV	Screed extension, left	1.25 m		2246446
				TV	Screed extension, right	1.25 m		2246448
				TV	Screed extension, left	0.75 m		2246755
				TV	Screed extension, right	0.75 m		2246761
				TV	Screed extension, left	0.25 m		2247041
			"Dash 3" version	TV	Extending screed, left		When upgrading to the "Dash 3" tamper bar version, the wear strips also need to be replaced: 4x 2261005	2202970



TAMPER BAR								
Series code	Serial code	Series range	Version	Screed version	Position	Extension	Please note	Part no.
AB 500-2	15AB	10 - 9999	"Dash 2" version	TP	Basic screed, left			2003833
			"Dash 2" version	TP	Basic screed, right			2003834
			"Dash 2" version	TP	Extending screed, left			2003835
			"Dash 2" version	TP	Extending screed, right			2003836
			"Dash 3" version	TP	Basic screed, left		When upgrading to the "Dash 3" tamper bar version, the wear strips also need to be replaced: 4x 2261005	2202733
			"Dash 3" version	TP	Basic screed, right		When upgrading to the "Dash 3" tamper bar version, the wear strips also need to be replaced: 4x 2261005	2202847
				TP	Screed extension, right	0.25 m		2247043
			"Dash 3" version	TP	Extending screed, right		When upgrading to the "Dash 3" tamper bar version, the wear strips also need to be replaced: 4x 2261005	2203022
				TP	Screed extension, left	1.25 m		2246446
				TP	Screed extension, right	1.25 m		2246448
				TP	Screed extension, left	0.75 m		2246755
				TP	Screed extension, right	0.75 m		2246761
	TP	Screed extension, left	0.25 m		2247041			

Original VÖGELE  
**SCREED**

TAMPER BAR								
Series code	Serial code	Series range	Version	Screed version	Position	Extension	Please note	Part no.
AB 500-2	15AB	10 - 9999	"Dash 3" version	TP	Extending screed, left		When upgrading to the "Dash 3" tamper bar version, the wear strips also need to be replaced: 4x 2261005	2202970
AB 500-3	23AB	10 - 9999	"Dash 3" version	TV	Basic screed, left			2202733
			"Dash 3" version	TV	Basic screed, right			2202847
			"Dash 3" version	TV	Extending screed, left			2202970
			"Dash 3" version	TV	Extending screed, right			2203022
				TV	Screed extension, right	0.25 m		2247043
				TV	Screed extension, right	1.25 m		2246448
				TV	Screed extension, left	0.75 m		2246755
				TV	Screed extension, right	0.75 m		2246761
				TV	Screed extension, left	0.25 m		2247041
				TV	Screed extension, left	1.25 m		2246446
	24AB	10 - 9999	"Dash 3" version	TP	Basic screed, left			2202733
			"Dash 3" version	TP	Basic screed, right			2202847
			"Dash 3" version	TP	Extending screed, left			2202970
			"Dash 3" version	TP	Extending screed, right			2203022
				TP	Screed extension, right	0.25 m		2247043
				TP	Screed extension, right	1.25 m		2246448
				TP	Screed extension, left	0.75 m		2246755
				TP	Screed extension, right	0.75 m		2246761
				TP	Screed extension, left	0.25 m		2247041
				TP	Screed extension, left	1.25 m		2246446
AB 600	11AB	10 - 9999	"Dash 2" version	TV; TP	Basic screed, left			2003841



TAMPER BAR								
Series code	Serial code	Series range	Version	Screed version	Position	Extension	Please note	Part no.
AB 600	11AB	10 - 9999	"Dash 2" version	TV; TP	Basic screed, right			2003842
			"Dash 2" version	TV; TP	Extending screed, left			2003843
			"Dash 2" version	TV; TP	Extending screed, right			2003844
				TV; TP	Screed extension, right	0.225 m		4611353676
				TV; TP	Screed extension, right	0.75 m		2038931
				TV; TP	Screed extension, left	1.25 m		2038932
				TV; TP	Screed extension, right	1.25 m		2038933
				TV; TP	Screed extension, left	0.225 m		4611353675
AB 600-2	16AB	10 - 9999	"Dash 2" version	TV	Basic screed, left			2003841
			"Dash 2" version	TV	Basic screed, right			2003842
			"Dash 2" version	TV	Extending screed, left			2003843
			"Dash 2" version	TV	Extending screed, right			2003844
			"Dash 3" version	TV	Basic screed, left		When upgrading to the "Dash 3" tamper bar version, the wear strips also need to be replaced: 4x 2261007	2203109
			"Dash 3" version	TV	Basic screed, right		When upgrading to the "Dash 3" tamper bar version, the wear strips also need to be replaced: 4x 2261007	2203136
	TV	Screed extension, right	0.25 m		2247043			

TAMPER BAR									
Series code	Serial code	Series range	Version	Screed version	Position	Extension	Please note	Part no.	
AB 600-2	16AB	10 - 9999	"Dash 3" version	TV	Extending screed, right		When upgrading to the "Dash 3" tamper bar version, the wear strips also need to be replaced: 4x 2261007	2203200	
				TV	Screed extension, left	1.25 m		2246446	
				TV	Screed extension, right	1.25 m		2246448	
				TV	Screed extension, left	0.75 m		2246755	
				TV	Screed extension, right	0.75 m		2246761	
				TV	Screed extension, left	0.25 m		2247041	
				"Dash 3" version	TV	Extending screed, left		When upgrading to the "Dash 3" tamper bar version, the wear strips also need to be replaced: 4x 2261007	2203171
	17AB	10 - 9999			TP	Screed extension, right	1.25 m		2246448
					TP	Screed extension, left	0.75 m		2246755
					TP	Screed extension, right	0.75 m		2246761
					TP	Screed extension, left	0.25 m		2247041
					TP	Screed extension, right	0.25 m		2247043
					"Dash 3" version	TP	Extending screed, left		When upgrading to the "Dash 3" tamper bar version, the wear strips also need to be replaced: 4x 2261007





TAMPER BAR											
Series code	Serial code	Series range	Version	Screed version	Position	Extension	Please note	Part no.			
AB 600-2	17AB	10 - 9999	"Dash 3" version	TP	Basic screed, right		When upgrading to the "Dash 3" tamper bar version, the wear strips also need to be replaced: 4x 2261007	2203136			
				TP	Screed extension, left	1.25 m		2246446			
			"Dash 2" version	TP	Basic screed, left		2003841				
			"Dash 2" version	TP	Basic screed, right		2003842				
			"Dash 2" version	TP	Extending screed, left		2003843				
			"Dash 2" version	TP	Extending screed, right		2003844				
			"Dash 3" version	TP	Basic screed, left		When upgrading to the "Dash 3" tamper bar version, the wear strips also need to be replaced: 4x 2261007	2203109			
			"Dash 3" version	TP	Extending screed, right			2203200			
			AB 600-3	25AB	10 - 9999	"Dash 3" version	TV	Basic screed, left			2203109
						"Dash 3" version	TV	Basic screed, right			2203136
"Dash 3" version	TV	Extending screed, left						2203171			
"Dash 3" version	TV	Extending screed, right						2203200			
	TV	Screed extension, right				0.25 m		2247043			
	TV	Screed extension, right				1.25 m		2246448			

Original VÖGELE  
**SCREED**

TAMPER BAR									
Series code	Serial code	Series range	Version	Screed version	Position	Extension	Please note	Part no.	
AB 600-3	25AB	10 - 9999		TV	Screed extension, left	0.75 m		2246755	
				TV	Screed extension, right	0.75 m		2246761	
				TV	Screed extension, left	0.25 m		2247041	
				TV	Screed extension, left	1.25 m		2246446	
	26AB	10 - 9999	"Dash 3" version	TP	Basic screed, left				2203109
			"Dash 3" version	TP	Basic screed, right				2203136
			"Dash 3" version	TP	Extending screed, left				2203171
			"Dash 3" version	TP	Extending screed, right				2203200
				TP	Screed extension, right	0.25 m			2247043
				TP	Screed extension, right	1.25 m			2246448
				TP	Screed extension, left	0.75 m			2246755
				TP	Screed extension, right	0.75 m			2246761
				TP	Screed extension, left	0.25 m			2247041
				TP	Screed extension, left	1.25 m			2246446
SB 250	02SB	10 - 9999			Screed extension, left	0.5 m		4611352326	
					Screed extension, right	0.5 m		4611352327	
					Screed extension, left	1.0 m		4611352549	
					Screed extension, right	1.0 m		4611352550	
					Screed extension, left	0.25 m		4611352947	
				TV; TP	Basic screed, right			4611353205	
			telescoping		Screed extension, left	0.75 m		4611352996	
			telescoping		Screed extension, right	0.75 m		4611352997	
					Screed extension, left	1.5 m		4611353094	
					Screed extension, right	1.5 m		4611353095	
				TV; TP	Basic screed, left			4611353204	
					Screed extension, right	0.25 m		4611352948	



TAMPER BAR								
Series code	Serial code	Series range	Version	Screed version	Position	Extension	Please note	Part no.
SB 250-2	05SB	10 - 9999			Screed extension, left	0.5 m		4611352326
					Screed extension, right	0.5 m		4611352327
					Screed extension, left	1.0 m		4611352549
					Screed extension, right	1.0 m		4611352550
					Screed extension, left	0.25 m		4611352947
					Screed extension, right	0.25 m		4611352948
			telescoping		Screed extension, left	0.75 m		4611352996
			telescoping		Screed extension, right	0.75 m		4611352997
					Screed extension, left	1.5 m		4611353094
					Screed extension, right	1.5 m		4611353095
				TV; TP	Basic screed, left			4611353204
				TV; TP	Basic screed, right			4611353205
SB 300	03SB	10 - 9999	telescoping		Screed extension, right	0.75 m		4611352997
			telescoping		Screed extension, left	0.75 m		4611352996
					Screed extension, right	1.5 m		4611353095
					Screed extension, left	1.5 m		4611353094
				TV; TP	Basic screed, right			4611353074
					Screed extension, right	0.5 m		4611352327
				TV; TP	Basic screed, left			4611353073
					Screed extension, right	0.25 m		4611352948
					Screed extension, left	0.25 m		4611352947
					Screed extension, right	1.0 m		4611352550
					Screed extension, left	1.0 m		4611352549
					Screed extension, left	0.5 m		4611352326
SB 300-2	06SB	10 - 9999		TV; TP	Basic screed, left			4611353073
			telescoping		Screed extension, right	0.75 m		4611352997

TAMPER BAR								
Series code	Serial code	Series range	Version	Screed version	Position	Extension	Please note	Part no.
SB 300-2	06SB	10 - 9999	telescoping		Screed extension, left	0.75 m		4611352996
					Screed extension, right	0.25 m		4611352948
					Screed extension, left	0.25 m		4611352947
					Screed extension, right	1.0 m		4611352550
					Screed extension, left	1.0 m		4611352549
					Screed extension, right	0.5 m		4611352327
					Screed extension, left	0.5 m		4611352326
					Screed extension, right	1.5 m		4611353095
				TV; TP	Basic screed, right			4611353074
				Screed extension, left	1.5 m		4611353094	
AB 220	36AB	10 - 9999		TV	Screed extension, left; Screed extension, right	0.65 m		2376248
				TV	Screed extension, left; Screed extension, right	0.5 m		2374331
				TV	Extending screed, left; Extending screed, right			2339128
				TV	Basic screed, left; Basic screed, right			2339107
SB 300-3	07SB	10 - 9999		T	Screed extension, right	0.25 m		2247043
				HD	Screed extension, left	0.25 m		2626601
				HD	Screed extension, right	0.25 m		2626619
					Screed extension, left	0.5 m		2614251
					Screed extension, right	0.5 m		2619815
				HD	Screed extension, left + right	0.5 m		2621807
				TV; Telescoping	Screed extension, left	1.0 m		2576603



TAMPER BAR									
Series code	Serial code	Series range	Version	Screed version	Position	Extension	Please note	Part no.	
SB 300-3	07SB	10 - 9999		TV; Telescoping	Screed extension, right	1.0 m		2576632	
				T	Screed extension, left	0.25 m		2247041	
				HD	Basic screen, left + right			2581729	
				TV	Basic screed, right			2581688	
				TV	Basic screed, left			2581298	
				HD	Screed extension, left + right	1.0 m		2581787	
				HD	Screed extension, left + right	1.5 m		2581815	
				TV; Telescoping	Screed extension, right	1.5 m		2576539	
				TV; Telescoping	Screed extension, left	1.5 m		2576405	
				"Dash 3" version	Telescoping	Screed extension, right	1.25 m		2203022
				"Dash 3" version	Telescoping	Screed extension, left	1.25 m		2202970
SB 350-3	08SB	10 - 9999		TV	Basic screed, left			2597593	
				TV	Basic screed, right			2597753	
				T	Screed extension, left	0.25 m		2247041	
				T	Screed extension, right	0.25 m		2247043	
					Screed extension, left	0.5 m		2614251	
				TV; Telescoping	Screed extension, right	1.5 m		2576539	
				TV; Telescoping	Screed extension, left	1.5 m		2576405	
				"Dash 3" version	TV; Telescoping	Screed extension, right	1.25 m		2203022
				"Dash 3" version	TV; Telescoping	Screed extension, left	1.25 m		2202970
				TV; Telescoping	Screed extension, right	1.0 m		2576632	
				TV; Telescoping	Screed extension, left	1.0 m		2576603	
		Screed extension, right	0.5 m		2619815				
SB 300-3	09SB	10 - 9999		TP	Basic screed, left			2581298	

TAMPER BAR									
Series code	Serial code	Series range	Version	Screed version	Position	Extension	Please note	Part no.	
SB 300-3	09SB	10 - 9999		TP	Basic screed, right			2581688	
				TP	Screed extension, left	0.25 m		2247041	
				TP	Screed extension, right	0.25 m		2247043	
				TP	Screed extension, left	0.5 m		2614251	
				TP	Screed extension, right	0.5 m		2619815	
				TP; Telescoping	Screed extension, left	1.0 m		2576603	
				TP; Telescoping	Screed extension, right	1.0 m		2576632	
				"Dash 3" version	TP; Telescoping	Screed extension, left	1.25 m		2202970
				"Dash 3" version	TP; Telescoping	Screed extension, right	1.25 m		2203022
				TP; Telescoping	Screed extension, left	1.5 m		2576405	
				TP; Telescoping	Screed extension, right	1.5 m		2576539	
SB 350-3	10SB	10 - 9999		TP	Basic screed, left			2597593	
				TP	Basic screed, right			2597753	
				TP	Screed extension, left	0.25 m		2247041	
				TP	Screed extension, right	0.25 m		2247043	
				TP	Screed extension, left	0.5 m		2614251	
				TP; Telescoping	Screed extension, right	1.5 m		2576539	
				TP; Telescoping	Screed extension, left	1.0 m		2576603	
				TP; Telescoping	Screed extension, right	1.0 m		2576632	
				"Dash 3" version	TP; Telescoping	Screed extension, left	1.25 m		2202970
				"Dash 3" version	TP; Telescoping	Screed extension, right	1.25 m		2203022
				TP; Telescoping	Screed extension, left	1.5 m		2576405	
				TP	Screed extension, right	0.5 m		2619815	



## TAMPER SHIELD

VÖGELE tamper shields are designed to direct the mix under the screed.



TAMPER SHIELD									
Series code	Serial code	Series range	Package includes	Screed version	Position	Extension	Version	Part no.	
AB 200	12AB	10 - 331	complete (incl. spring steel strip)	TV	Basic screed, right			2024194	
			complete (incl. spring steel strip)	TV	Basic screed, left			2024057	
		10 - 546		V	Extending screed, left				2024387
				V	Extending screed, right				2024401
				V	Basic screed, left				2024451
				V	Basic screed, right				2024496
				V	Screed extension, left	0.35 m			2028413
				V	Screed extension, right	0.35 m			2028521
		10 - 9999	complete (incl. spring steel strip)	TV	Screed extension, left	0.35 m			2028280
			complete (incl. spring steel strip)	TV	Extending screed, right				2023994
			complete (incl. spring steel strip)	TV	Extending screed, left				2023966
			complete (incl. spring steel strip)	TV	Screed extension, right	0.35 m			2028493
				V	Screed extension, left	0.6 m			2059991
				V	Screed extension, right	0.6 m			2059988

Original VÖGELE  
**SCREED**

TAMPER SHIELD										
Series code	Serial code	Series range	Package includes	Screed version	Position	Extension	Version	Part no.		
AB 200	12AB	10 - 9999	complete (incl. spring steel strip)	TV	Screed extension, right	0.6 m		2030910		
			complete (incl. spring steel strip)	TV	Screed extension, left	0.6 m		2030895		
		332 - 9999	complete (incl. spring steel strip)	TV	Basic screed, left				2049967	
			complete (incl. spring steel strip)	TV	Basic screed, right				2049969	
		547 - 9999		V	Screed extension, left	0.35 m			2060000	
				V	Basic screed, left				2060051	
				V	Extending screed, right				2060045	
				V	Extending screed, left				2060032	
				V	Screed extension, right	0.35 m			2060027	
				V	Basic screed, right				2060054	
		AB 220-3	28AB	10 - 9999	complete (incl. spring steel strip)	TV	Basic screed, left			2339754
					complete (incl. spring steel strip)	TV	Basic screed, right			2339755
complete (incl. spring steel strip)	TV				Extending screed, left			2340247		
complete (incl. spring steel strip)	TV				Extending screed, right			2340248		
	V				Extending screed, left			2370845		
	V				Screed extension, right	0.5 m		2375501		
	V				Basic screed, left			2370881		
	V				Basic screed, right			2371113		





TAMPER SHIELD								
Series code	Serial code	Series range	Package includes	Screed version	Position	Extension	Version	Part no.
AB 220-3	28AB	10 - 9999	complete (incl. spring steel strip)	TV	Screed extension, left	0.5 m		2374813
			complete (incl. spring steel strip)	TV	Screed extension, right	0.5 m		2374892
				V	Screed extension, left	0.5 m		2375495
				V	Extending screed, right			2370847
AB 340	13AB	10 - 9999	complete (incl. spring steel strip)	TV	Extending screed, left			2044030
			complete (incl. spring steel strip)	TV	Extending screed, right			2044057
			complete (incl. spring steel strip)	TV	Basic screed, left			2044090
			complete (incl. spring steel strip)	TV	Basic screed, right			2044112
			complete (incl. spring steel strip)	TV	Screed extension, left	0.55 m		2047572
			complete (incl. spring steel strip)	TV	Screed extension, right	0.55 m		2047885
				V	Basic screed, left			2060956
			complete (incl. spring steel strip)	TV	Screed extension, right	0.4 m		2051343
				V	Extending screed, right			2060837
				V	Extending screed, left			2060856
				V	Screed extension, right	0.4 m		2060864
				V	Screed extension, left	0.4 m		2060871
	V	Basic screed, right			2060954			

Original VÖGELE  
**SCREED**

TAMPER SHIELD								
Series code	Serial code	Series range	Package includes	Screed version	Position	Extension	Version	Part no.
AB 340	13AB	10 - 9999	complete (incl. spring steel strip)	TV	Screed extension, left	0.4 m		2051297
AB 340-3	27AB	10 - 9999	complete (incl. spring steel strip)	TV	Screed extension, left	0.55 m		2047572
			complete (incl. spring steel strip)	TV	Extending screed, right			2236392
			complete (incl. spring steel strip)	TV	Screed extension, left	0.8 m		2066902
			complete (incl. spring steel strip)	TV	Screed extension, right	0.8 m		2067040
				V	Basic screed, left			2095330
				V	Basic screed, right			2095343
				V	Extending screed, left			2095354
				V	Extending screed, right			2095363
			complete (incl. spring steel strip)	V	Screed extension, left	0.4 m		2135058
			complete (incl. spring steel strip)	V	Screed extension, right	0.4 m		2135172
			complete (incl. spring steel strip)	TV	Screed extension, left	0.25 m		2158539
			complete (incl. spring steel strip)	TV	Screed extension, right	0.25 m		2158763
			complete (incl. spring steel strip)	V	Screed extension, left	0.25 m		2183885
complete (incl. spring steel strip)	V	Screed extension, right	0.25 m		2183889			



TAMPER SHIELD								
Series code	Serial code	Series range	Package includes	Screed version	Position	Extension	Version	Part no.
AB 340-3	27AB	10 - 9999	complete (incl. spring steel strip)	TV	Basic screed, left			2235893
			complete (incl. spring steel strip)	TV	Basic screed, right			2236062
			complete (incl. spring steel strip)	TV	Extending screed, left			2236151
			complete (incl. spring steel strip)	TV	Screed extension, right	0.55 m		2047885
AB 480-3	29AB	10 - 9999	complete (incl. spring steel strip)	TV	Basic screed, left			2037329
			complete (incl. spring steel strip)	TV	Basic screed, right			2037330
			complete (incl. spring steel strip)	TV	Extending screed, left			2037331
			complete (incl. spring steel strip)	TV	Extending screed, right			2037332
			complete (incl. spring steel strip)	TV	Screed extension, left; Screed extension, right	1.25 m		2038065
			complete (incl. spring steel strip)	TV	Screed extension, right	0.6 m		2357756
			complete (incl. spring steel strip)	TV	Screed extension, right	0.25 m		2041071
			complete (incl. spring steel strip)	TV	Screed extension, left	0.75 m		2043402
			complete (incl. spring steel strip)	TV	Screed extension, right	0.75 m		2043403

Original VÖGELE  
**SCREED**

TAMPER SHIELD								
Series code	Serial code	Series range	Package includes	Screed version	Position	Extension	Version	Part no.
AB 480-3	29AB	10 - 9999	complete (incl. spring steel strip)	TV	Screed extension, left	0.6 m		2356708
			complete (incl. spring steel strip)	TV	Screed extension, left	0.25 m		2041070
AB 500	10AB	10 - 9999	complete (incl. spring steel strip)		Basic screed, left			4621300001
			complete (incl. spring steel strip)		Basic screed, right			4621300002
			complete (incl. spring steel strip)		Extending screed, left			4621300003
			complete (incl. spring steel strip)		Screed extension, left; Screed extension, right	1.25 m		4621300011
			complete (incl. spring steel strip)		Screed extension, left; Screed extension, right	0.75 m		4621300005
			complete (incl. spring steel strip)		Screed extension, left; Screed extension, right	0.225 m		4621300006
			complete (incl. spring steel strip)		Extending screed, right			4621300004
AB 500-2	14AB, 15AB	10 - 9999	complete (incl. spring steel strip)		Basic screed, left			2037329
			complete (incl. spring steel strip)		Basic screed, right			2037330
			complete (incl. spring steel strip)		Extending screed, left			2037331
			complete (incl. spring steel strip)		Extending screed, right			2037332



TAMPER SHIELD								
Series code	Serial code	Series range	Package includes	Screed version	Position	Extension	Version	Part no.
AB 500-2	14AB, 15AB	10 - 9999	complete (incl. spring steel strip)		Screed extension, right	0.75 m		2043403
			complete (incl. spring steel strip)		Screed extension, left	0.25 m		2041072
			complete (incl. spring steel strip)		Screed extension, right	0.25 m		2041073
			complete (incl. spring steel strip)		Screed extension, left	0.75 m		2043402
			complete (incl. spring steel strip)		Screed extension, left; Screed extension, right	1.25 m		2038065
AB 500-3	23AB	10 - 9999	complete (incl. spring steel strip)		Basic screed, left			2037329
			complete (incl. spring steel strip)		Basic screed, right			2037330
			complete (incl. spring steel strip)		Extending screed, left			2037331
			complete (incl. spring steel strip)		Extending screed, right			2037332
			complete (incl. spring steel strip)		Screed extension, right	0.75 m		2043403
			complete (incl. spring steel strip)		Screed extension, left	0.25 m		2041072
			complete (incl. spring steel strip)		Screed extension, right	0.25 m		2041073
			complete (incl. spring steel strip)		Screed extension, left	0.75 m		2043402

Original VÖGELE  
**SCREED**

TAMPER SHIELD								
Series code	Serial code	Series range	Package includes	Screed version	Position	Extension	Version	Part no.
AB 500-3	23AB	10 - 9999	complete (incl. spring steel strip)		Screed extension, left; Screed extension, right	1.25 m		2038065
	24AB	10 - 9999	complete (incl. spring steel strip)		Extending screed, right			2037332
			complete (incl. spring steel strip)		Screed extension, left; Screed extension, right	1.25 m		2038065
			complete (incl. spring steel strip)		Screed extension, left	0.25 m		2041072
			complete (incl. spring steel strip)		Screed extension, right	0.25 m		2041073
			complete (incl. spring steel strip)		Basic screed, left			2037329
			complete (incl. spring steel strip)		Screed extension, right	0.75 m		2043403
			complete (incl. spring steel strip)		Basic screed, right			2037330
			complete (incl. spring steel strip)		Extending screed, left			2037331
			complete (incl. spring steel strip)		Screed extension, left	0.75 m		2043402
AB 600	11AB	10 - 9999	complete (incl. spring steel strip)		Screed extension, left; Screed extension, right	0.75 m		4621300005
			complete (incl. spring steel strip)		Screed extension, left; Screed extension, right	0.225 m		4621300006
			complete (incl. spring steel strip)		Basic screed, left			4621300007



TAMPER SHIELD								
Series code	Serial code	Series range	Package includes	Screed version	Position	Extension	Version	Part no.
AB 600	11AB	10 - 9999	complete (incl. spring steel strip)		Screed extension, left; Screed extension, right	1.25 m		4621300011
			complete (incl. spring steel strip)		Extending screed, left			4621300009
			complete (incl. spring steel strip)		Extending screed, right			4621300010
			complete (incl. spring steel strip)		Basic screed, right			4621300008
AB 600-2	16AB, 17AB	10 - 9999	complete (incl. spring steel strip)		Screed extension, left; Screed extension, right	1.25 m		2038065
			complete (incl. spring steel strip)		Screed extension, left	0.25 m		2041072
			complete (incl. spring steel strip)		Screed extension, right	0.25 m		2041073
			complete (incl. spring steel strip)		Screed extension, left	0.75 m		2043402
			complete (incl. spring steel strip)		Extending screed, right			2052261
			complete (incl. spring steel strip)		Basic screed, left			2051960
			complete (incl. spring steel strip)		Basic screed, right			2052156
			complete (incl. spring steel strip)		Extending screed, left			2052239
			complete (incl. spring steel strip)		Screed extension, right	0.75 m		2043403

Original VÖGELE  
**SCREED**

TAMPER SHIELD								
Series code	Serial code	Series range	Package includes	Screed version	Position	Extension	Version	Part no.
AB 600-3	25AB, 26AB	10 - 9999	complete (incl. spring steel strip)		Screed extension, left; Screed extension, right	1.25 m		2038065
			complete (incl. spring steel strip)		Screed extension, left	0.25 m		2041072
			complete (incl. spring steel strip)		Screed extension, right	0.25 m		2041073
			complete (incl. spring steel strip)		Screed extension, left	0.75 m		2043402
			complete (incl. spring steel strip)		Extending screed, right			2052261
			complete (incl. spring steel strip)		Basic screed, left			2051960
			complete (incl. spring steel strip)		Basic screed, right			2052156
			complete (incl. spring steel strip)		Extending screed, left			2052239
			complete (incl. spring steel strip)		Screed extension, right	0.75 m		2043403
VF 500-2	19AB	10 - 9999		V	Extending screed, left		no berm	2181087
				V	Screed extension, left; Screed extension, right	0.305 m		2169597
				V	Screed extension, left; Screed extension, right	0.61 m		2171347
				V	Basic screed, right		no berm	2180930
				V	Basic screed, left		no berm	2180975
				V	Extending screed, right		no berm	2181090





TAMPER SHIELD									
Series code	Serial code	Series range	Package includes	Screed version	Position	Extension	Version	Part no.	
VF 600-2	20AB	10 - 9999		V	Basic screed, right		no berm	2143326	
				V	Basic screed, left		no berm	2144092	
				V	Screed extension, left; Screed extension, right	0.61 m			2171347
				V	Extending screed, left		no berm		2148567
				V	Screed extension, left; Screed extension, right	0.305 m			2169597
				V	Extending screed, right		no berm		2148545
VR 600-2	18AB	10 - 9999		V	Extending screed, left		no berm	2123232	
				V	Screed extension, left	0.65 m		2124827	
				V	Basic screed, right		no berm		2128690
				V	Extending screed, right		no berm		2127228
				V	Basic screed, left		no berm		2128686
				V	Screed extension, right	0.65 m			2126821
SB 250	02SB	10 - 275			Screed extension, right	0.25 m		4602433266	
					Screed extension, left	0.25 m		4602433265	
					Screed extension, left; Screed extension, right	1.5 m		4602433077	
					Screed extension, left; Screed extension, right	1.0 m		4602433076	
					Screed extension, left; Screed extension, right	0.5 m		4602433075	
					Basic screed, left			4602433581	
					Basic screed, right			4602433582	
		276 - 436				Basic screed, left			4602434552
						Screed extension, right	0.25 m		4602434536

TAMPER SHIELD									
Series code	Serial code	Series range	Package includes	Screed version	Position	Extension	Version	Part no.	
SB 250	02SB	276 - 436			Screed extension, left	0.25 m		4602434535	
					Screed extension, right	0.75 m	telescoping	4602432890	
					Screed extension, left	0.75 m	telescoping	4602432889	
					Basic screed, right			4602434553	
					Screed extension, left; Screed extension, right	0.5 m		4602434561	
					Screed extension, left; Screed extension, right	1.0 m		4602434560	
					Screed extension, left; Screed extension, right	1.5 m		4602434559	
			437 - 9999	complete (incl. spring steel strip)		Basic screed, left			2009720
				complete (incl. spring steel strip)		Basic screed, right			2009721
				complete (incl. spring steel strip)		Screed extension, left	0.25 m		2009724
				complete (incl. spring steel strip)		Screed extension, right	0.25 m		2009727
				complete (incl. spring steel strip)		Screed extension, right	0.75 m	telescoping	2009732
				complete (incl. spring steel strip)		Screed extension, left	0.75 m	telescoping	2009731
				complete (incl. spring steel strip)		Screed extension, left; Screed extension, right	1.5 m		2009730
				complete (incl. spring steel strip)		Screed extension, left; Screed extension, right	1.0 m		2009729



TAMPER SHIELD								
Series code	Serial code	Series range	Package includes	Screed version	Position	Extension	Version	Part no.
SB 250	02SB	437 - 9999	complete (incl. spring steel strip)		Screed extension, left; Screed extension, right	0.5 m		2009728
SB 250-2	05SB	10 - 9999	complete (incl. spring steel strip)		Basic screed, left			2124064
			complete (incl. spring steel strip)		Basic screed, right			2124367
			complete (incl. spring steel strip)		Screed extension, left; Screed extension, right	1.5 m		2125066
			complete (incl. spring steel strip)		Screed extension, left; Screed extension, right	1.0 m		2125276
			complete (incl. spring steel strip)		Screed extension, right	0.75 m	telescoping	2126211
			complete (incl. spring steel strip)		Screed extension, left	0.25 m		2125428
			complete (incl. spring steel strip)		Screed extension, right	0.25 m		2125557
			complete (incl. spring steel strip)		Screed extension, left	0.75 m	telescoping	2126020
			complete (incl. spring steel strip)		Screed extension, left; Screed extension, right	0.5 m		2125358
SB 300	03SB	10 - 331			Screed extension, left; Screed extension, right	1.5 m		4602433077
					Screed extension, left; Screed extension, right	1.0 m		4602433076
					Screed extension, left; Screed extension, right	0.5 m		4602433075

Original VÖGELE  
**SCREED**

TAMPER SHIELD										
Series code	Serial code	Series range	Package includes	Screed version	Position	Extension	Version	Part no.		
SB 300	03SB	10 - 331			Basic screed, right			4602433055		
					Basic screed, left			4602433054		
					Screed extension, left	0.25 m		4602433265		
					Screed extension, right	0.25 m		4602433266		
		332 - 403					Basic screed, left			4602434557
							Screed extension, right	0.25 m		4602434536
							Screed extension, left	0.25 m		4602434535
							Screed extension, right	0.75 m	telescoping	4602432890
							Screed extension, left	0.75 m	telescoping	4602432889
							Basic screed, right			4602434558
							Screed extension, left; Screed extension, right	0.5 m		4602434561
							Screed extension, left; Screed extension, right	1.0 m		4602434560
							Screed extension, left; Screed extension, right	1.5 m		4602434559
		404 - 9999	complete (incl. spring steel strip)				Basic screed, left			2009722
			complete (incl. spring steel strip)				Basic screed, right			2009723
			complete (incl. spring steel strip)				Screed extension, left	0.25 m		2009724
			complete (incl. spring steel strip)				Screed extension, right	0.25 m		2009727
			complete (incl. spring steel strip)				Screed extension, right	0.75 m	telescoping	2009732



TAMPER SHIELD								
Series code	Serial code	Series range	Package includes	Screed version	Position	Extension	Version	Part no.
SB 300	03SB	404 - 9999	complete (incl. spring steel strip)		Screed extension, left	0.75 m	telescoping	2009731
			complete (incl. spring steel strip)		Screed extension, left; Screed extension, right	1.5 m		2009730
			complete (incl. spring steel strip)		Screed extension, left; Screed extension, right	1.0 m		2009729
			complete (incl. spring steel strip)		Screed extension, left; Screed extension, right	0.5 m		2009728
SB 300-2	06SB	10 - 9999	complete (incl. spring steel strip)		Basic screed, left			2124565
			complete (incl. spring steel strip)		Basic screed, right			2124916
			complete (incl. spring steel strip)		Screed extension, left; Screed extension, right	1.5 m		2125066
			complete (incl. spring steel strip)		Screed extension, left; Screed extension, right	1.0 m		2125276
			complete (incl. spring steel strip)		Screed extension, right	0.75 m	telescoping	2126211
			complete (incl. spring steel strip)		Screed extension, left	0.25 m		2125428
			complete (incl. spring steel strip)		Screed extension, right	0.25 m		2125557
			complete (incl. spring steel strip)		Screed extension, left	0.75 m	telescoping	2126020
			complete (incl. spring steel strip)		Screed extension, left; Screed extension, right	0.5 m		2125358

Original VÖGELE  
**FEED OF MIX**



High-quality paving results depend on the precise and uniform distribution of the mix across the entire working width. In order to meet the highest demands, VÖGELE pavers are equipped with the latest technologies for conveyance of mix and

spreading of mix. After the material has been fed into the hopper, it conveys the material evenly in the direction of the augers, which perfectly spreads the mix.



> Read more online

**PUSH ROLLERS**

VÖGELE push rollers at the front of the paver withstand maximum loads.



PUSH ROLLERS				
Series code	Serial code	Part	Requirement	Part no.
SUPER 700	0790	Bearing	4 pc.	2005836
		Tube	2 pc.	2005914
SUPER 700-3	0890	Bearing	4 pc.	2005836
		Tube	2 pc.	2005914



PUSH ROLLERS				
Series code	Serial code	Part	Requirement	Part no.
SUPER 700-3i	0890	Bearing	4 pc.	2005836
		Tube	2 pc.	2005914
SUPER 800	0790	Bearing	4 pc.	2005836
		Tube	2 pc.	2005914
SUPER 800-3	0890	Bearing	4 pc.	2005836
		Tube	2 pc.	2005914
SUPER 800-3i	0890	Bearing	4 pc.	2005836
		Tube	2 pc.	2005914
SUPER 700	0990	Bearing	4 pc.	2005836
		Tube	2 pc.	2005914
SUPER 800	0990	Bearing	4 pc.	2005836
		Tube	2 pc.	2005914
SUPER 700i	0990	Bearing	4 pc.	2005836
		Tube	2 pc.	2005914
SUPER 800i	0990	Bearing	4 pc.	2005836
		Tube	2 pc.	2005914
SUPER 1100-2	0811	Bearing	4 pc.	2005836
		Tube	2 pc.	2005914
SUPER 1100-3	1011, 1411	Bearing	4 pc.	2005836
		Tube	2 pc.	2005914
SUPER 1100-3i	1011, 1411	Bearing	4 pc.	2005836
		Tube	2 pc.	2005914
SUPER 1103-2	0911	Bearing	4 pc.	2005836
		Tube	2 pc.	2005914
SUPER 1103-3	1111, 1511	Bearing	4 pc.	2005836
		Tube	2 pc.	2005914
SUPER 1103-3i	1111, 1511	Bearing	4 pc.	2005836

Original VÖGELE  
**FEED OF MIX**

PUSH ROLLERS				
Series code	Serial code	Part	Requirement	Part no.
SUPER 1103-3i	1111, 1511	Tube	2 pc.	2005914
SUPER 1300-2	0811	Bearing	4 pc.	2005836
		Tube	2 pc.	2005914
SUPER 1300-3	1011, 1411	Bearing	4 pc.	2005836
		Tube	2 pc.	2005914
SUPER 1300-3i	1011, 1411	Bearing	4 pc.	2005836
		Tube	2 pc.	2005914
SUPER 1303-2	0911	Bearing	4 pc.	2005836
		Tube	2 pc.	2005914
SUPER 1303-3	1111, 1511	Bearing	4 pc.	2005836
		Tube	2 pc.	2005914
SUPER 1303-3i	1111, 1511	Bearing	4 pc.	2005836
		Tube	2 pc.	2005914
SUPER 1600-1	0782, 0982	Axle	2 pc.	4601032333
		Cover	4 pc.	4604132599
		Bearing	4 pc.	2240570
		Tube	2 pc.	4617305243
SUPER 1600-2	1182	Axle	2 pc.	2041091
		Cover	4 pc.	4604132599
		Bearing	4 pc.	2240570
		Tube	2 pc.	2040320
SUPER 1600-3	1582	Axle	2 pc.	2182538
		Cover	4 pc.	2182539
		Bearing	4 pc.	2240570
		Tube	2 pc.	2182537
SUPER 1600-3i	1582	Axle	2 pc.	2182538
		Cover	4 pc.	2182539





PUSH ROLLERS				
Series code	Serial code	Part	Requirement	Part no.
SUPER 1600-3i	1582	Bearing	4 pc.	2240570
		Tube	2 pc.	2182537
SUPER 1603-1	0783	Axle	2 pc.	4601032333
		Cover	4 pc.	4604132599
		Bearing	4 pc.	2240570
		Tube	2 pc.	4617305243
SUPER 1603-2	0883	Axle	2 pc.	2041091
		Cover	4 pc.	4604132599
		Bearing	4 pc.	2240570
		Tube	2 pc.	2040320
SUPER 1603-3i	1183	Axle	2 pc.	2182538
		Cover	4 pc.	2182539
		Bearing	4 pc.	2240570
		Tube	2 pc.	2182537
SUPER 1603-3	1183	Axle	2 pc.	2182538
		Cover	4 pc.	2182539
		Bearing	4 pc.	2240570
		Tube	2 pc.	2182537
SUPER 1700-3	1982	Axle	2 pc.	2182538
		Cover	4 pc.	2182539
		Bearing	4 pc.	2240570
		Tube	2 pc.	2182537
SUPER 1700-3i	1982	Axle	2 pc.	2182538
		Cover	4 pc.	2182539
		Bearing	4 pc.	2240570
		Tube	2 pc.	2182537
SUPER 1703-3	1283	Axle	2 pc.	2182538

Original VÖGELE  
**FEED OF MIX**

PUSH ROLLERS				
Series code	Serial code	Part	Requirement	Part no.
SUPER 1703-3	1283	Cover	4 pc.	2182539
		Bearing	4 pc.	2240570
		Tube	2 pc.	2182537
SUPER 1703-3i	1283	Axle	2 pc.	2182538
		Cover	4 pc.	2182539
		Bearing	4 pc.	2240570
		Tube	2 pc.	2182537
SUPER 1800-1	0782, 0982	Axle	2 pc.	4601032333
		Cover	4 pc.	4604132599
		Bearing	4 pc.	2240570
		Tube	2 pc.	4617305243
SUPER 1800-2	1182	Axle	2 pc.	2041091
		Cover	4 pc.	4604132599
		Bearing	4 pc.	2240570
		Tube	2 pc.	2040320
SUPER 1800-3	1482	Axle	2 pc.	2182538
		Cover	4 pc.	2182539
		Bearing	4 pc.	2240570
		Tube	2 pc.	2182537
SUPER 1800-3i	1482	Axle	2 pc.	2182538
		Cover	4 pc.	2182539
		Bearing	4 pc.	2240570
		Tube	2 pc.	2182537
SUPER 1803-1	0783	Axle	2 pc.	4601032333
		Cover	4 pc.	4604132599
		Bearing	4 pc.	2240570
		Tube	2 pc.	4617305243



PUSH ROLLERS				
Series code	Serial code	Part	Requirement	Part no.
SUPER 1803-2	0883	Axle	2 pc.	2041091
		Cover	4 pc.	4604132599
		Bearing	4 pc.	2240570
		Tube	2 pc.	2040320
SUPER 1803-3	1083	Axle	2 pc.	2182538
		Cover	4 pc.	2182539
		Bearing	4 pc.	2240570
		Tube	2 pc.	2182537
SUPER 1803-3i	1083	Axle	2 pc.	2182538
		Cover	4 pc.	2182539
		Bearing	4 pc.	2240570
		Tube	2 pc.	2182537
SUPER 1900-2	0719	Axle	2 pc.	2041091
		Cover	4 pc.	4604132599
		Bearing	4 pc.	2240570
		Tube	2 pc.	2040320
SUPER 1900-3	0819	Axle	2 pc.	2182538
		Cover	4 pc.	2182539
		Bearing	4 pc.	2240570
		Tube	2 pc.	2182537
SUPER 1900-3i	0819	Axle	2 pc.	2182538
		Cover	4 pc.	2182539
		Bearing	4 pc.	2240570
		Tube	2 pc.	2182537
SUPER 2000-3	1174	Axle	2 pc.	2320960
		Cover	4 pc.	2182539
		Bearing	4 pc.	2240570

Original VÖGELE  
**FEED OF MIX**

PUSH ROLLERS				
Series code	Serial code	Part	Requirement	Part no.
SUPER 2000-3	1174	Tube	2 pc.	2320937
SUPER 2000-3i	1174	Axle	2 pc.	2320960
		Cover	4 pc.	2182539
		Bearing	4 pc.	2240570
		Tube	2 pc.	2320937
SUPER 2003-3	0975	Axle	2 pc.	2320960
		Cover	4 pc.	2182539
		Bearing	4 pc.	2240570
		Tube	2 pc.	2320937
SUPER 2003-3i	0975	Axle	2 pc.	2320960
		Cover	4 pc.	2182539
		Bearing	4 pc.	2240570
		Tube	2 pc.	2320937
SUPER 2100-2	0719	Axle	2 pc.	2041091
		Cover	4 pc.	4604132599
		Bearing	4 pc.	2240570
		Tube	2 pc.	2040320
SUPER 2100-2 IP	0719	Axle	2 pc.	2041091
		Cover	4 pc.	4604132599
		Bearing	4 pc.	2240570
		Tube	2 pc.	2040320
SUPER 2100-3	0819	Axle	2 pc.	2182538
		Cover	4 pc.	2182539
		Bearing	4 pc.	2240570
		Tube	2 pc.	2182537
SUPER 2100-3i	0819	Axle	2 pc.	2182538
		Cover	4 pc.	2182539



PUSH ROLLERS				
Series code	Serial code	Part	Requirement	Part no.
SUPER 2100-3i	0819	Bearing	4 pc.	2240570
		Tube	2 pc.	2182537
SUPER 3000-2	0874	Axle	2 pc.	2118447
		Cover	4 pc.	2118449
		Bearings	4 pc.	2247046
		Tube	2 pc.	2118444
SUPER 3000-3	1074	Axle	2 pc.	2118447
		Cover	4 pc.	2118449
		Bearings	4 pc.	2247046
		Tube	2 pc.	2118444
SUPER 3000-3i	1074	Axle	2 pc.	2118447
		Cover	4 pc.	2118449
		Bearings	4 pc.	2247046
		Tube	2 pc.	2118444
SUPER 1800-2 SJ	1182	Axle	2 pc.	2041091
		Cover	4 pc.	4604132599
		Bearing	4 pc.	2240570
		Tube	2 pc.	2040320
SUPER 1800-3 SJ	1482	Axle	2 pc.	2182538
		Cover	4 pc.	2182539
		Bearing	4 pc.	2240570
		Tube	2 pc.	2182537
SUPER 1800-3i SJ	1482	Axle	2 pc.	2182538
		Cover	4 pc.	2182539
		Bearing	4 pc.	2240570
		Tube	2 pc.	2182537
MT 3000-2	0761	Axle	2 pc.	2145868

Original VÖGELE  
**FEED OF MIX**

PUSH ROLLERS				
Series code	Serial code	Part	Requirement	Part no.
MT 3000-2	0761	Cover	4 pc.	4604132599
		Bearing	4 pc.	2240570
		Tube	2 pc.	2145859
MT 3000-3	0861	Axle	2 pc.	2145868
		Cover	4 pc.	4604132599
		Bearing	4 pc.	2240570
		Tube	2 pc.	2145859
MT 3000-3i	0861	Axle	2 pc.	2145868
		Cover	4 pc.	4604132599
		Bearing	4 pc.	2240570
		Tube	2 pc.	2145859

**CONVEYOR**

With the wide variety of genuine spare and wearing parts for the conveyor available from VÖGELE, you can replace the entire of the conveyance of mix system.



CONVEYOR						
Series code	Serial code	Part	Package content	Position	Requirement	Part no.
SUPER 700	0790	Conveyor drive shaft		left	1 pc.	2086138
		Service package for conveyor tracks	consisting of conveyor chains with conveyor bars		1 pc.	2045812
		Service package for conveyor return rollers	consisting of return rollers with all bearings, wearing rings and locking rings		1 pc.	2037584
SUPER 700-3	0890	Conveyor drive shaft		left	1 pc.	2086138
		Service package for conveyor tracks	consisting of conveyor chains with conveyor bars		1 pc.	2045812



CONVEYOR						
Series code	Serial code	Part	Package content	Position	Requirement	Part no.
SUPER 700-3	0890	Service package for conveyor return rollers	consisting of return rollers with all bearings, wearing rings and locking rings		1 pc.	2037584
SUPER 700-3i	0890	Conveyor drive shaft		left	1 pc.	2086138
		Service package for conveyor tracks	consisting of conveyor chains with conveyor bars		1 pc.	2045812
		Service package for conveyor return rollers	consisting of return rollers with all bearings, wearing rings and locking rings		1 pc.	2037584
SUPER 800	0790	Conveyor drive shaft		left	1 pc.	2086138
		Service package for conveyor tracks	consisting of conveyor chains with conveyor bars		1 pc.	2045812
		Service package for conveyor return rollers	consisting of return rollers with all bearings, wearing rings and locking rings		1 pc.	2037584
SUPER 800-3	0890	Conveyor drive shaft		left	1 pc.	2086138
		Service package for conveyor tracks	consisting of conveyor chains with conveyor bars		1 pc.	2045812
		Service package for conveyor return rollers	consisting of return rollers with all bearings, wearing rings and locking rings		1 pc.	2037584
SUPER 800-3i	0890	Conveyor drive shaft		left	1 pc.	2086138
		Service package for conveyor tracks	consisting of conveyor chains with conveyor bars		1 pc.	2045812
		Service package for conveyor return rollers	consisting of return rollers with all bearings, wearing rings and locking rings		1 pc.	2037584
SUPER 700	0990	Scraper conveyor drive shaft			1 pc.	2440146
		Service package for conveyor tracks	consisting of conveyor chains with conveyor bars		1 pc.	2045812
		Service package for conveyor return rollers	consisting of return rollers with all bearings, wearing rings and locking rings		1 pc.	2037584
SUPER 800	0990	Scraper conveyor drive shaft			1 pc.	2440146
		Service package for conveyor tracks	consisting of conveyor chains with conveyor bars		1 pc.	2045812
		Service package for conveyor return rollers	consisting of return rollers with all bearings, wearing rings and locking rings		1 pc.	2037584

Original VÖGELE  
**FEED OF MIX**

CONVEYOR						
Series code	Serial code	Part	Package content	Position	Requirement	Part no.
SUPER 700i	0990	Scraper conveyor drive shaft			1 pc.	2440146
		Service package for conveyor tracks	consisting of conveyor chains with conveyor bars		1 pc.	2045812
		Service package for conveyor return rollers	consisting of return rollers with all bearings, wearing rings and locking rings		1 pc.	2037584
SUPER 800i	0990	Scraper conveyor drive shaft			1 pc.	2440146
		Service package for conveyor tracks	consisting of conveyor chains with conveyor bars		1 pc.	2045812
		Service package for conveyor return rollers	consisting of return rollers with all bearings, wearing rings and locking rings		1 pc.	2037584
SUPER 1100-2	0811	Conveyor drive shaft		right	1 pc.	2085818
				left	1 pc.	2086230
		Service package for conveyor tracks	consisting of conveyor chains with conveyor bars		2 pc.	2046350
		Service package for conveyor return rollers	consisting of return rollers with all bearings, wearing rings and locking rings		1 pc.	2086375
SUPER 1100-3	1011, 1411	Conveyor drive shaft		right	1 pc.	2085818
				left	1 pc.	2086230
		Service package for conveyor tracks	consisting of conveyor chains with conveyor bars		2 pc.	2046350
		Service package for conveyor return rollers	consisting of return rollers with all bearings, wearing rings and locking rings		1 pc.	2086375
SUPER 1100-3i	1011, 1411	Conveyor drive shaft		right	1 pc.	2085818
				left	1 pc.	2086230
		Service package for conveyor tracks	consisting of conveyor chains with conveyor bars		2 pc.	2046350
		Service package for conveyor return rollers	consisting of return rollers with all bearings, wearing rings and locking rings		1 pc.	2086375
SUPER 1103-2	0911	Conveyor drive shaft		right	1 pc.	2086184
				left	1 pc.	2086201
		Service package for conveyor tracks	consisting of conveyor chains with conveyor bars		2 pc.	2052796





CONVEYOR						
Series code	Serial code	Part	Package content	Position	Requirement	Part no.
SUPER 1103-2	0911	Service package for conveyor return rollers	consisting of return rollers with all bearings, wearing rings and locking rings		1 pc.	2086375
SUPER 1103-3	1111, 1511	Service package for conveyor tracks	consisting of conveyor chains with conveyor bars		2 pc.	2052796
		Service package for conveyor return rollers	consisting of return rollers with all bearings, wearing rings and locking rings		1 pc.	2086375
SUPER 1103-3i	1111, 1511	Conveyor drive shaft		right	1 pc.	2086184
				left	1 pc.	2086201
		Service package for conveyor tracks	consisting of conveyor chains with conveyor bars		2 pc.	2052796
		Service package for conveyor return rollers	consisting of return rollers with all bearings, wearing rings and locking rings		1 pc.	2086375
SUPER 1300-2	0811	Conveyor drive shaft		right	1 pc.	2085818
				left	1 pc.	2086230
		Service package for conveyor tracks	consisting of conveyor chains with conveyor bars		2 pc.	2046350
		Service package for conveyor return rollers	consisting of return rollers with all bearings, wearing rings and locking rings		1 pc.	2086375
SUPER 1300-3	1011, 1411	Conveyor drive shaft		right	1 pc.	2085818
				left	1 pc.	2086230
		Service package for conveyor tracks	consisting of conveyor chains with conveyor bars		2 pc.	2046350
		Service package for conveyor return rollers	consisting of return rollers with all bearings, wearing rings and locking rings		1 pc.	2086375
SUPER 1300-3i	1011, 1411	Conveyor drive shaft		right	1 pc.	2085818
				left	1 pc.	2086230
		Service package for conveyor tracks	consisting of conveyor chains with conveyor bars		2 pc.	2046350
		Service package for conveyor return rollers	consisting of return rollers with all bearings, wearing rings and locking rings		1 pc.	2086375
SUPER 1303-2	0911	Conveyor drive shaft		right	1 pc.	2086184

Original VÖGELE  
**FEED OF MIX**

CONVEYOR						
Series code	Serial code	Part	Package content	Position	Requirement	Part no.
SUPER 1303-2	0911	Conveyor drive shaft		left	1 pc.	2086201
		Service package for conveyor tracks	consisting of conveyor chains with conveyor bars		2 pc.	2052796
		Service package for conveyor return rollers	consisting of return rollers with all bearings, wearing rings and locking rings		1 pc.	2086375
SUPER 1303-3	1111, 1511	Conveyor drive shaft		right	1 pc.	2086184
					left	1 pc.
		Service package for conveyor tracks	consisting of conveyor chains with conveyor bars		2 pc.	2052796
		Service package for conveyor return rollers	consisting of return rollers with all bearings, wearing rings and locking rings		1 pc.	2086375
SUPER 1303-3i	1111, 1511	Conveyor drive shaft		right	1 pc.	2086184
					left	1 pc.
		Service package for conveyor tracks	consisting of conveyor chains with conveyor bars		2 pc.	2052796
		Service package for conveyor return rollers	consisting of return rollers with all bearings, wearing rings and locking rings		1 pc.	2086375
SUPER 1600-1	0782	Conveyor drive shaft		left; right	2 pc.	4622082829
		Service package for conveyor tracks	consisting of conveyor chains with conveyor bars		2 pc.	2135839
		Service package for conveyor return rollers	consisting of return rollers with all bearings, wearing rings and locking rings		1 pc.	2013205
	0982	Conveyor drive shaft		left; right	2 pc.	4622082829
		Service package for conveyor tracks	consisting of conveyor chains with conveyor bars		2 pc.	2135839
SUPER 1600-2	1182	Conveyor drive shaft		left; right	2 pc.	4622082829
		Service package for conveyor tracks	consisting of conveyor chains with conveyor bars		2 pc.	2135839
		Service package for conveyor return rollers	consisting of return rollers with all bearings, wearing rings and locking rings		1 pc.	2013205
SUPER 1600-3	1582	Conveyor drive shaft		left; right	2 pc.	4622082829
		Service package for conveyor tracks	consisting of conveyor chains with conveyor bars		2 pc.	2135838



CONVEYOR						
Series code	Serial code	Part	Package content	Position	Requirement	Part no.
SUPER 1600-3	1582	Service package for conveyor return rollers	consisting of return rollers with all bearings, wearing rings and locking rings		1 pc.	2013205
SUPER 1600-3i	1582	Conveyor drive shaft		left; right	2 pc.	4622082829
		Service package for conveyor tracks	consisting of conveyor chains with conveyor bars		2 pc.	2135838
		Service package for conveyor return rollers	consisting of return rollers with all bearings, wearing rings and locking rings		1 pc.	2013205
SUPER 1603-1	0783	Conveyor drive shaft		left; right	2 pc.	4622082829
		Service package for conveyor tracks	consisting of conveyor chains with conveyor bars		2 pc.	2135839
		Service package for conveyor return rollers	consisting of return rollers with all bearings, wearing rings and locking rings		1 pc.	2013205
SUPER 1603-2	0883	Conveyor drive shaft		left; right	2 pc.	4622082829
		Service package for conveyor tracks	consisting of conveyor chains with conveyor bars		2 pc.	2135839
		Service package for conveyor return rollers	consisting of return rollers with all bearings, wearing rings and locking rings		1 pc.	2013205
SUPER 1603-3i	1183	Conveyor drive shaft		left; right	2 pc.	4622082829
		Service package for conveyor tracks	consisting of conveyor chains with conveyor bars		2 pc.	2135839
		Service package for conveyor return rollers	consisting of return rollers with all bearings, wearing rings and locking rings		1 pc.	2013205
SUPER 1603-3	1183	Conveyor drive shaft		left; right	2 pc.	4622082829
		Service package for conveyor tracks	consisting of conveyor chains with conveyor bars		2 pc.	2135839
		Service package for conveyor return rollers	consisting of return rollers with all bearings, wearing rings and locking rings		1 pc.	2013205
SUPER 1700-3	1982	Conveyor drive shaft		left; right	2 pc.	4622082829
		Service package for conveyor tracks	consisting of conveyor chains with conveyor bars		2 pc.	2135838
		Service package for conveyor return rollers	consisting of return rollers with all bearings, wearing rings and locking rings		1 pc.	2013205

Original VÖGELE  
**FEED OF MIX**

CONVEYOR						
Series code	Serial code	Part	Package content	Position	Requirement	Part no.
SUPER 1700-3i	1982	Conveyor drive shaft		left; right	2 pc.	4622082829
		Service package for conveyor tracks	consisting of conveyor chains with conveyor bars		2 pc.	2135838
		Service package for conveyor return rollers	consisting of return rollers with all bearings, wearing rings and locking rings		1 pc.	2013205
SUPER 1703-3	1283	Conveyor drive shaft		left; right	2 pc.	4622082829
		Service package for conveyor tracks	consisting of conveyor chains with conveyor bars		2 pc.	2135839
		Service package for conveyor return rollers	consisting of return rollers with all bearings, wearing rings and locking rings		1 pc.	2013205
SUPER 1703-3i	1283	Conveyor drive shaft		left; right	2 pc.	4622082829
		Service package for conveyor tracks	consisting of conveyor chains with conveyor bars		2 pc.	2135839
		Service package for conveyor return rollers	consisting of return rollers with all bearings, wearing rings and locking rings		1 pc.	2013205
SUPER 1800-1	0782	Conveyor drive shaft		left; right	2 pc.	4622082829
		Service package for conveyor tracks	consisting of conveyor chains with conveyor bars		2 pc.	2135839
		Service package for conveyor return rollers	consisting of return rollers with all bearings, wearing rings and locking rings		1 pc.	2013205
	0982	Conveyor drive shaft		left; right	2 pc.	4622082829
		Service package for conveyor tracks	consisting of conveyor chains with conveyor bars		2 pc.	2135839
SUPER 1800-2	1182	Conveyor drive shaft		left; right	2 pc.	4622082829
		Service package for conveyor tracks	consisting of conveyor chains with conveyor bars		2 pc.	2135839
		Service package for conveyor return rollers	consisting of return rollers with all bearings, wearing rings and locking rings		1 pc.	2013205
SUPER 1800-3	1482	Conveyor drive shaft		left; right	2 pc.	4622082829
		Service package for conveyor tracks	consisting of conveyor chains with conveyor bars		2 pc.	2135839
		Service package for conveyor return rollers	consisting of return rollers with all bearings, wearing rings and locking rings		1 pc.	2013205



CONVEYOR						
Series code	Serial code	Part	Package content	Position	Requirement	Part no.
SUPER 1800-3i	1482	Conveyor drive shaft		left; right	2 pc.	4622082829
		Service package for conveyor tracks	consisting of conveyor chains with conveyor bars		2 pc.	2135839
		Service package for conveyor return rollers	consisting of return rollers with all bearings, wearing rings and locking rings		1 pc.	2013205
SUPER 1803-1	0783	Conveyor drive shaft		left; right	2 pc.	4622082829
		Service package for conveyor tracks	consisting of conveyor chains with conveyor bars		2 pc.	2135839
		Service package for conveyor return rollers	consisting of return rollers with all bearings, wearing rings and locking rings		1 pc.	2013205
SUPER 1803-2	0883	Conveyor drive shaft		left; right	2 pc.	4622082829
		Service package for conveyor tracks	consisting of conveyor chains with conveyor bars		2 pc.	2135839
		Service package for conveyor return rollers	consisting of return rollers with all bearings, wearing rings and locking rings		1 pc.	2013205
SUPER 1803-3	1083	Conveyor drive shaft		left; right	2 pc.	4622082829
		Service package for conveyor tracks	consisting of conveyor chains with conveyor bars		2 pc.	2135839
		Service package for conveyor return rollers	consisting of return rollers with all bearings, wearing rings and locking rings		1 pc.	2013205
SUPER 1803-3i	1083	Conveyor drive shaft		left; right	2 pc.	4622082829
		Service package for conveyor tracks	consisting of conveyor chains with conveyor bars		2 pc.	2135839
		Service package for conveyor return rollers	consisting of return rollers with all bearings, wearing rings and locking rings		1 pc.	2013205
SUPER 1900-2	0719	Conveyor drive shaft		left; right	2 pc.	4622082826
		Service package for conveyor tracks	consisting of conveyor chains with conveyor bars		2 pc.	2135833
		Service package for conveyor return rollers	consisting of return rollers with all bearings, wearing rings and locking rings		1 pc.	2013205
SUPER 1900-3	0819	Conveyor drive shaft		left; right	2 pc.	4622082826
		Service package for conveyor tracks	consisting of conveyor chains with conveyor bars		2 pc.	2135833

Original VÖGELE  
**FEED OF MIX**

CONVEYOR						
Series code	Serial code	Part	Package content	Position	Requirement	Part no.
SUPER 1900-3	0819	Service package for conveyor return rollers	consisting of return rollers with all bearings, wearing rings and locking rings		1 pc.	2013205
SUPER 1900-3i	0819	Conveyor drive shaft		left; right	2 pc.	4622082826
		Service package for conveyor tracks	consisting of conveyor chains with conveyor bars		2 pc.	2135833
		Service package for conveyor return rollers	consisting of return rollers with all bearings, wearing rings and locking rings		1 pc.	2013205
SUPER 2000-3	1174	Conveyor drive shaft		left; right	2 pc.	4622082826
		Service package for conveyor tracks	consisting of conveyor chains with conveyor bars		2 pc.	2135833
		Service package for conveyor return rollers	consisting of return rollers with all bearings, wearing rings and locking rings		1 pc.	2013205
SUPER 2000-3i	1174	Conveyor drive shaft		left; right	2 pc.	4622082826
		Service package for conveyor tracks	consisting of conveyor chains with conveyor bars		2 pc.	2135833
		Service package for conveyor return rollers	consisting of return rollers with all bearings, wearing rings and locking rings		1 pc.	2013205
SUPER 2003-3	0975	Conveyor drive shaft		left; right	2 pc.	4622082826
		Service package for conveyor tracks	consisting of conveyor chains with conveyor bars		2 pc.	2135833
		Service package for conveyor return rollers	consisting of return rollers with all bearings, wearing rings and locking rings		1 pc.	2013205
SUPER 2003-3i	0975	Conveyor drive shaft		left; right	2 pc.	4622082826
		Service package for conveyor tracks	consisting of conveyor chains with conveyor bars		2 pc.	2135833
		Service package for conveyor return rollers	consisting of return rollers with all bearings, wearing rings and locking rings		1 pc.	2013205
SUPER 2100-2	0719	Conveyor drive shaft		left; right	2 pc.	4622082826
		Service package for conveyor tracks	consisting of conveyor chains with conveyor bars		2 pc.	2135833
		Service package for conveyor return rollers	consisting of return rollers with all bearings, wearing rings and locking rings		1 pc.	2013205



CONVEYOR						
Series code	Serial code	Part	Package content	Position	Requirement	Part no.
SUPER 2100-2 IP	0719	Conveyor drive shaft		left; right	2 pc.	4622082826
		Service package for conveyor tracks	consisting of conveyor chains with conveyor bars		2 pc.	2135833
		Service package for conveyor return rollers	consisting of return rollers with all bearings, wearing rings and locking rings		1 pc.	2013205
SUPER 2100-3	0819	Conveyor drive shaft		left; right	2 pc.	4622082826
		Service package for conveyor tracks	consisting of conveyor chains with conveyor bars		2 pc.	2135833
		Service package for conveyor return rollers	consisting of return rollers with all bearings, wearing rings and locking rings		1 pc.	2013205
SUPER 2100-3i	0819	Conveyor drive shaft		left; right	2 pc.	4622082826
		Service package for conveyor tracks	consisting of conveyor chains with conveyor bars		2 pc.	2135833
		Service package for conveyor return rollers	consisting of return rollers with all bearings, wearing rings and locking rings		1 pc.	2013205
SUPER 3000-2	0874	Scraper conveyor drive shaft		left; right	1 pc.	2118156
		Service package for conveyor tracks	consisting of conveyor chains with conveyor bars		2 pc.	2120082
		Service package for conveyor return rollers	consisting of return rollers with all bearings, wearing rings and locking rings		1 pc.	2013205
SUPER 3000-3	1074	Scraper conveyor drive shaft		left; right	1 pc.	2595158
		Service package for scraper conveyor chains			2 pc.	2595340
		Service package for conveyor return rollers	consisting of return rollers with all bearings, wearing rings and locking rings		1 pc.	2013205
SUPER 3000-3i	1074	Scraper conveyor drive shaft		left; right	1 pc.	2595158
		Service package for scraper conveyor chains			2 pc.	2595340
		Service package for conveyor return rollers	consisting of return rollers with all bearings, wearing rings and locking rings		1 pc.	2013205
SUPER 1800-2 SJ	1182	Conveyor drive shaft		left; right	2 pc.	4622082829
		Service package for conveyor tracks	consisting of conveyor chains with conveyor bars		2 pc.	2135839

Original VÖGELE  
**FEED OF MIX**

CONVEYOR						
Series code	Serial code	Part	Package content	Position	Requirement	Part no.
SUPER 1800-2 SJ	1182	Service package for conveyor return rollers	consisting of return rollers with all bearings, wearing rings and locking rings		1 pc.	2013205
SUPER 1800-3 SJ	1482	Conveyor drive shaft		left; right	2 pc.	4622082829
		Service package for conveyor tracks	consisting of conveyor chains with conveyor bars		2 pc.	2135839
		Service package for conveyor return rollers	consisting of return rollers with all bearings, wearing rings and locking rings		1 pc.	2013205
SUPER 1800-3i SJ	1482	Conveyor drive shaft		left; right	2 pc.	4622082829
		Service package for conveyor tracks	consisting of conveyor chains with conveyor bars		2 pc.	2135839
		Service package for conveyor return rollers	consisting of return rollers with all bearings, wearing rings and locking rings		1 pc.	2013205

**MATERIAL HOPPER**

Genuine VÖGELE material hopper rubbers prevent material from falling in front of the machine when filling the paver with asphalt. The material hopper service packages also include all the necessary wearing parts for fast and reliable maintenance.



MATERIAL HOPPER								
Series code	Serial code	Series range	Part	Version	Package content	Position	Requirement	Part no.
SUPER 700	0790	10 - 9999	Scraper rubber			left and right	2 pc.	2025844
			Rubber	only with asymmetric hopper		left	1 pc.	2027092
			Service package for material hoppers	with mechanical front flap	consisting of floor plates, conveyor covers, mounting material			2085994





MATERIAL HOPPER								
Series code	Serial code	Series range	Part	Version	Package content	Position	Re-quirement	Part no.
SUPER 700-3	0890	10 - 9999	Scraper rubber			left and right	2 pc.	2379941
			Rubber	only with asymmet-ric hopper		left	1 pc.	2396068
			Service package for mater-ial hoppers	with mechan-ical front flap	consisting of floor plates, conveyor cov-ers, mounting mater-ial			2085994
SUPER 700-3i	0890	10 - 9999	Scraper rubber			left and right	2 pc.	2379941
			Rubber	only with asymmet-ric hopper		left	1 pc.	2396068
			Service package for mater-ial hoppers	with mechan-ical front flap	consisting of floor plates, conveyor cov-ers, mounting mater-ial			2085994
SUPER 800	0790	10 - 9999	Scraper rubber			left and right	2 pc.	2025844
			Rubber	only with asymmet-ric hopper		left	1 pc.	2027092
			Service package for mater-ial hoppers	with mechan-ical front flap	consisting of floor plates, conveyor cov-ers, mounting mater-ial			2085994
SUPER 800-3	0890	10 - 9999	Scraper rubber			left and right	2 pc.	2379941
			Rubber	only with asymmet-ric hopper		left	1 pc.	2396068
			Service package for mater-ial hoppers	with mechan-ical front flap	consisting of floor plates, conveyor cov-ers, mounting mater-ial			2085994
SUPER 800-3i	0890	10 - 9999	Scraper rubber			left and right	2 pc.	2379941

Original VÖGELE  
**FEED OF MIX**

MATERIAL HOPPER								
Series code	Serial code	Series range	Part	Version	Package content	Position	Re-quirement	Part no.
SUPER 800-3i	0890	10 - 9999	Rubber	only with asymmet-ric hopper		left	1 pc.	2396068
			Service package for mater-ial hoppers	with mechan-ical front flap	consisting of floor plates, conveyor cov-ers, mounting mater-ial			2085994
SUPER 700	0990	10 - 9999	Scraper rubber			left and right	2 pc.	2379941
			Rubber	only with asymmet-ric hopper		left	1 pc.	2396068
			Service package for mater-ial hoppers	with mechan-ical front flap	consisting of floor plates, conveyor cov-ers, mounting mater-ial			2085994
SUPER 800	0990	10 - 9999	Scraper rubber			left and right	2 pc.	2379941
			Rubber	only with asymmet-ric hopper		left	1 pc.	2396068
			Service package for mater-ial hoppers	with mechan-ical front flap	consisting of floor plates, conveyor cov-ers, mounting mater-ial			2085994
SUPER 700i	0990	10 - 9999	Scraper rubber			left and right	2 pc.	2379941
			Rubber	only with asymmet-ric hopper		left	1 pc.	2396068
			Service package for mater-ial hoppers	with mechan-ical front flap	consisting of floor plates, conveyor cov-ers, mounting mater-ial			2085994
SUPER 800i	0990	10 - 9999	Scraper rubber			left and right	2 pc.	2379941
			Rubber	only with asymmet-ric hopper		left	1 pc.	2396068



MATERIAL HOPPER								
Series code	Serial code	Series range	Part	Version	Package content	Position	Re-quire-ment	Part no.
SUPER 800i	0990	10 - 9999	Service package for material hoppers	with mechanical front flap	consisting of floor plates, conveyor covers, mounting material			2085994
SUPER 1100-2	0811	10 - 9999	Scraper rubber			left and right	2 pc.	2048231
				only with mechanical inlet flap		Centre	1 pc.	2048234
				with hydraulic inlet flap		left and right	2 pc.	2067845
			Service package for material hoppers	with mechanical front flap	consisting of floor plates, conveyor covers, mounting material			2084782
SUPER 1100-3	1011	10 - 67	Service package for material hoppers	with mechanical front flap	consisting of floor plates, conveyor covers, mounting material			2084782
		10 - 9999	Scraper rubber			left and right	2 pc.	2048231
				only with mechanical inlet flap		Centre	1 pc.	2048234
				with hydraulic inlet flap		left and right	2 pc.	2067845
		68 - 127	Service package for material hoppers	with mechanical front flap	consisting of floor plates, conveyor covers, mounting material			2401558
		128 - 9999	Service package for material hoppers	with mechanical front flap	consisting of floor plates, conveyor covers, mounting material			2392233
		1411	10 - 9999	Scraper rubber			left and right	2 pc.



Original VÖGELE  
**FEED OF MIX**

MATERIAL HOPPER									
Series code	Serial code	Series range	Part	Version	Package content	Position	Re-quirement	Part no.	
SUPER 1100-3	1411	10 - 9999	Scraper rubber	only with mechanical inlet flap		Centre	1 pc.	2048234	
				with hydraulic inlet flap		left and right	2 pc.	2067845	
			Service package for material hoppers	with mechanical front flap	consisting of floor plates, conveyor covers, mounting material				2392183
SUPER 1100-3i	1011	10 - 67	Service package for material hoppers	with mechanical front flap	consisting of floor plates, conveyor covers, mounting material			2084782	
		10 - 9999	Scraper rubber			left and right	2 pc.	2048231	
				only with mechanical inlet flap		Centre	1 pc.	2048234	
				with hydraulic inlet flap		left and right	2 pc.	2067845	
		68 - 127	Service package for material hoppers	with mechanical front flap	consisting of floor plates, conveyor covers, mounting material			2401558	
		128 - 9999	Service package for material hoppers	with mechanical front flap	consisting of floor plates, conveyor covers, mounting material			2392233	
	1411	10 - 9999	Scraper rubber				left and right	2 pc.	2048231
				only with mechanical inlet flap		Centre	1 pc.	2048234	
				with hydraulic inlet flap		left and right	2 pc.	2067845	



MATERIAL HOPPER									
Series code	Serial code	Series range	Part	Version	Package content	Position	Re-quire-ment	Part no.	
SUPER 1100-3i	1411	10 - 9999	Service package for material hoppers	with mechanical front flap	consisting of floor plates, conveyor covers, mounting material			2392183	
SUPER 1103-2	0911	10 - 9999	Scraper rubber			left and right	2 pc.	2048231	
				only with mechanical inlet flap		Centre	1 pc.	2052454	
				with hydraulic inlet flap		left and right	2 pc.	2067845	
			Service package for material hoppers	with mechanical front flap	consisting of floor plates, conveyor covers, mounting material			2085982	
SUPER 1103-3	1111	10 - 124	Service package for material hoppers	with mechanical front flap	consisting of floor plates, conveyor covers, mounting material			2085982	
		10 - 9999	Scraper rubber			left and right	2 pc.	2048231	
				only with mechanical inlet flap		Centre	1 pc.	2048234	
				with hydraulic inlet flap		left and right	2 pc.	2067845	
	125 - 9999	Service package for material hoppers	with mechanical front flap	consisting of floor plates, conveyor covers, mounting material			2392183		
	1511	10 - 9999	Scraper rubber				left and right	2 pc.	2048231
				only with mechanical inlet flap		Centre	1 pc.	2048234	



Original VÖGELE  
**FEED OF MIX**

MATERIAL HOPPER									
Series code	Serial code	Series range	Part	Version	Package content	Position	Re-quirement	Part no.	
SUPER 1103-3	1511	10 - 9999	Scraper rubber	with hydraulic inlet flap		left and right	2 pc.	2067845	
			Service package for material hoppers	with mechanical front flap	consisting of floor plates, conveyor covers, mounting material			2392183	
SUPER 1103-3i	1111	10 - 124	Service package for material hoppers	with mechanical front flap	consisting of floor plates, conveyor covers, mounting material			2085982	
		10 - 9999	Scraper rubber			left and right	2 pc.	2048231	
				only with mechanical inlet flap		Centre	1 pc.	2048234	
				with hydraulic inlet flap		left and right	2 pc.	2067845	
	125 - 9999	Service package for material hoppers	with mechanical front flap	consisting of floor plates, conveyor covers, mounting material				2392183	
	1511	10 - 9999	Scraper rubber				left and right	2 pc.	2048231
				only with mechanical inlet flap		Centre	1 pc.	2048234	
				with hydraulic inlet flap		left and right	2 pc.	2067845	
			Service package for material hoppers	with mechanical front flap	consisting of floor plates, conveyor covers, mounting material				2392183
SUPER 1300-2	0811	10 - 9999	Scraper rubber			left and right	2 pc.	2048231	



MATERIAL HOPPER										
Series code	Serial code	Series range	Part	Version	Package content	Position	Re-quirement	Part no.		
SUPER 1300-2	0811	10 - 9999	Scraper rubber	only with mechanical inlet flap		Centre	1 pc.	2048234		
				with hydraulic inlet flap		left and right	2 pc.	2067845		
			Service package for material hoppers	with mechanical front flap	consisting of floor plates, conveyor covers, mounting material				2084782	
SUPER 1300-3	1011	10 - 67	Service package for material hoppers	with mechanical front flap	consisting of floor plates, conveyor covers, mounting material			2084782		
		10 - 9999	Scraper rubber			left and right	2 pc.	2048231		
				only with mechanical inlet flap		Centre	1 pc.	2048234		
				with hydraulic inlet flap		left and right	2 pc.	2067845		
		68 - 127	Service package for material hoppers	with mechanical front flap	consisting of floor plates, conveyor covers, mounting material			2401558		
		128 - 9999	Service package for material hoppers	with mechanical front flap	consisting of floor plates, conveyor covers, mounting material			2392233		
		1411	10 - 9999	Scraper rubber				left and right	2 pc.	2048231
					only with mechanical inlet flap		Centre	1 pc.	2048234	
					with hydraulic inlet flap		left and right	2 pc.	2067845	

Original VÖGELE  
**FEED OF MIX**

MATERIAL HOPPER									
Series code	Serial code	Series range	Part	Version	Package content	Position	Re-quirement	Part no.	
SUPER 1300-3	1411	10 - 9999	Service package for material hoppers	with mechanical front flap	consisting of floor plates, conveyor covers, mounting material			2392183	
SUPER 1300-3i	1011	10 - 67	Service package for material hoppers	with mechanical front flap	consisting of floor plates, conveyor covers, mounting material			2084782	
		10 - 9999	Scraper rubber			left and right	2 pc.	2048231	
				only with mechanical inlet flap		Centre	1 pc.	2048234	
				with hydraulic inlet flap		left and right	2 pc.	2067845	
		68 - 127	Service package for material hoppers	with mechanical front flap	consisting of floor plates, conveyor covers, mounting material				2401558
		128 - 9999	Service package for material hoppers	with mechanical front flap	consisting of floor plates, conveyor covers, mounting material				2392233
	1411	10 - 9999	Scraper rubber				left and right	2 pc.	2048231
				only with mechanical inlet flap			Centre	1 pc.	2048234
				with hydraulic inlet flap			left and right	2 pc.	2067845
			Service package for material hoppers	with mechanical front flap	consisting of floor plates, conveyor covers, mounting material				2392183
SUPER 1303-2	0911	10 - 9999	Scraper rubber			left and right	2 pc.	2048231	





MATERIAL HOPPER									
Series code	Serial code	Series range	Part	Version	Package content	Position	Re-quirement	Part no.	
SUPER 1303-2	0911	10 - 9999	Scraper rubber	only with mechanical inlet flap		Centre	1 pc.	2052454	
				with hydraulic inlet flap		left and right	2 pc.	2067845	
			Service package for material hoppers	with mechanical front flap	consisting of floor plates, conveyor covers, mounting material				2085982
SUPER 1303-3	1111	10 - 124	Service package for material hoppers	with mechanical front flap	consisting of floor plates, conveyor covers, mounting material			2085982	
		10 - 9999	Scraper rubber			left and right	2 pc.	2048231	
				only with mechanical inlet flap		Centre	1 pc.	2048234	
				with hydraulic inlet flap		left and right	2 pc.	2067845	
		125 - 9999	Service package for material hoppers	with mechanical front flap	consisting of floor plates, conveyor covers, mounting material				2392183
	1511	10 - 9999	Scraper rubber				left and right	2 pc.	2048231
				only with mechanical inlet flap		Centre	1 pc.	2048234	
				with hydraulic inlet flap		left and right	2 pc.	2067845	
			Service package for material hoppers	with mechanical front flap	consisting of floor plates, conveyor covers, mounting material				2392183



Original VÖGELE  
**FEED OF MIX**

MATERIAL HOPPER								
Series code	Serial code	Series range	Part	Version	Package content	Position	Re-quire-ment	Part no.
SUPER 1303-3i	1111	10 - 124	Service package for material hoppers	with mechanical front flap	consisting of floor plates, conveyor covers, mounting material			2085982
		10 - 9999	Scraper rubber			left and right	2 pc.	2048231
				only with mechanical inlet flap		Centre	1 pc.	2048234
				with hydraulic inlet flap		left and right	2 pc.	2067845
	125 - 9999	Service package for material hoppers	with mechanical front flap	consisting of floor plates, conveyor covers, mounting material				2392183
	1511	10 - 9999	Scraper rubber			left and right	2 pc.	2048231
				only with mechanical inlet flap		Centre	1 pc.	2048234
				with hydraulic inlet flap		left and right	2 pc.	2067845
			Service package for material hoppers	with mechanical front flap	consisting of floor plates, conveyor covers, mounting material			
	SUPER 1600-1	0782, 0982	10 - 25	Service package for material hoppers	with mechanical front flap	consisting of floor plates, conveyor covers, mounting material		
with hydraulic front flap					consisting of floor plates, conveyor covers, mounting material			2013188
10 - 9999			Scraper rubber			left and right	2 pc.	4601112253
				only with mechanical inlet flap		Centre	1 pc.	4601112254



MATERIAL HOPPER								
Series code	Serial code	Series range	Part	Version	Package content	Position	Re-quire-ment	Part no.
SUPER 1600-1	0782, 0982	26 - 9999	Service package for material hoppers	with mechanical front flap	consisting of floor plates, conveyor covers, mounting material			2031619
				with hydraulic front flap	consisting of floor plates, conveyor covers, mounting material			2031620
SUPER 1600-2	1182	10 - 9999	Scraper rubber			left and right	2 pc.	4601112253
				only with mechanical inlet flap		Centre	1 pc.	4601112254
			Service package for material hoppers	with mechanical front flap	consisting of floor plates, conveyor covers, mounting material			2031619
				with hydraulic front flap	consisting of floor plates, conveyor covers, mounting material			2031620
SUPER 1600-3	1582	10 - 9999	Scraper rubber	with hydraulic inlet flap		Centre	1 pc.	2267686
				with hydraulic inlet flap		left and right	2 pc.	2267692
				only with mechanical inlet flap		Centre	1 pc.	4601112254
				only with mechanical inlet flap		left and right	2 pc.	2267786
			Service package for material hoppers	with hydraulic front flap	consisting of floor plates, conveyor covers, mounting material			2368957
				with mechanical front flap	consisting of floor plates, conveyor covers, mounting material			2368951
SUPER 1600-3i	1582	10 - 9999	Scraper rubber	with hydraulic inlet flap		Centre	1 pc.	2267686



Original VÖGELE  
**FEED OF MIX**

MATERIAL HOPPER									
Series code	Serial code	Series range	Part	Version	Package content	Position	Re-quirement	Part no.	
SUPER 1600-3i	1582	10 - 9999	Scraper rubber	with hydraulic inlet flap		left and right	2 pc.	2267692	
				only with mechanical inlet flap		Centre	1 pc.	4601112254	
				only with mechanical inlet flap		left and right	2 pc.	2267786	
			Service package for material hoppers	with hydraulic front flap	consisting of floor plates, conveyor covers, mounting material				2368957
				with mechanical front flap	consisting of floor plates, conveyor covers, mounting material				2368951
SUPER 1603-1	0783	10 - 18	Service package for material hoppers	with hydraulic front flap	consisting of floor plates, conveyor covers, mounting material			2013188	
				with mechanical front flap	consisting of floor plates, conveyor covers, mounting material			2013187	
		10 - 9999	Scraper rubber			left and right	2 pc.	4601112253	
				only with mechanical inlet flap		Centre	1 pc.	4601112254	
		19 - 9999	Service package for material hoppers	with hydraulic front flap	consisting of floor plates, conveyor covers, mounting material			2031620	
				with mechanical front flap	consisting of floor plates, conveyor covers, mounting material			2031619	
SUPER 1603-2	0883	10 - 9999	Scraper rubber			left and right	2 pc.	4601112253	
				only with mechanical inlet flap		Centre	1 pc.	4601112254	



MATERIAL HOPPER								
Series code	Serial code	Series range	Part	Version	Package content	Position	Re-quirement	Part no.
SUPER 1603-2	0883	10 - 9999	Service package for material hoppers	with mechanical front flap	consisting of floor plates, conveyor covers, mounting material			2031619
				with hydraulic front flap	consisting of floor plates, conveyor covers, mounting material			2031620
SUPER 1603-3i	1183	10 - 9999	Scraper rubber	with hydraulic inlet flap		Centre	1 pc.	2267686
				with hydraulic inlet flap		left and right	2 pc.	2267692
				only with mechanical inlet flap		Centre	1 pc.	4601112254
				only with mechanical inlet flap		left and right	2 pc.	2267786
			Service package for material hoppers	with hydraulic front flap	consisting of floor plates, conveyor covers, mounting material			2369421
				with mechanical front flap	consisting of floor plates, conveyor covers, mounting material			2369420
SUPER 1603-3	1183	10 - 9999	Scraper rubber	with hydraulic inlet flap		Centre	1 pc.	2267686
				with hydraulic inlet flap		left and right	2 pc.	2267692
				only with mechanical inlet flap		Centre	1 pc.	4601112254
				only with mechanical inlet flap		left and right	2 pc.	2267786

Original VÖGELE  
**FEED OF MIX**

MATERIAL HOPPER								
Series code	Serial code	Series range	Part	Version	Package content	Position	Re-quire-ment	Part no.
SUPER 1603-3	1183	10 - 9999	Service package for material hoppers	with hydraulic front flap	consisting of floor plates, conveyor covers, mounting material			2369421
				with mechanical front flap	consisting of floor plates, conveyor covers, mounting material			2369420
SUPER 1700-3	1982	10 - 9999	Scraper rubber	with hydraulic inlet flap		Centre	1 pc.	2267686
				with hydraulic inlet flap		left and right	2 pc.	2410922
			Service package for material hoppers	with hydraulic front flap	consisting of floor plates, conveyor covers, mounting material			2368957
SUPER 1700-3i	1982	10 - 9999	Scraper rubber	with hydraulic inlet flap		Centre	1 pc.	2267686
				with hydraulic inlet flap		left and right	2 pc.	2410922
			Service package for material hoppers	with hydraulic front flap	consisting of floor plates, conveyor covers, mounting material			2368957
SUPER 1703-3	1283	10 - 9999	Scraper rubber	with hydraulic inlet flap		Centre	1 pc.	2267686
				with hydraulic inlet flap		left and right	2 pc.	2410922
			Service package for material hoppers	with hydraulic front flap	consisting of floor plates, conveyor covers, mounting material			2369421



MATERIAL HOPPER									
Series code	Serial code	Series range	Part	Version	Package content	Position	Re-quirement	Part no.	
SUPER 1703-3i	1283	10 - 9999	Scraper rubber	with hydraulic inlet flap		Centre	1 pc.	2267686	
				with hydraulic inlet flap		left and right	2 pc.	2410922	
			Service package for material hoppers	with hydraulic front flap	consisting of floor plates, conveyor covers, mounting material				2369421
SUPER 1800-1	0782	10 - 25	Service package for material hoppers	with mechanical front flap	consisting of floor plates, conveyor covers, mounting material			2013187	
				with hydraulic front flap	consisting of floor plates, conveyor covers, mounting material			2013188	
		10 - 9999	Scraper rubber	only with mechanical inlet flap			Centre	1 pc.	4601112254
							left and right	2 pc.	4601112253
		26 - 9999	Service package for material hoppers	with hydraulic front flap	consisting of floor plates, conveyor covers, mounting material				2031620
				with mechanical front flap	consisting of floor plates, conveyor covers, mounting material				2031619
	0982	10 - 25	Service package for material hoppers	with mechanical front flap	consisting of floor plates, conveyor covers, mounting material				2013187
				with hydraulic front flap	consisting of floor plates, conveyor covers, mounting material				2013188
		10 - 9999	Scraper rubber				left and right	2 pc.	4601112253
				only with mechanical inlet flap			Centre	1 pc.	4601112254



Original VÖGELE  
**FEED OF MIX**

MATERIAL HOPPER								
Series code	Serial code	Series range	Part	Version	Package content	Position	Re-quirement	Part no.
SUPER 1800-1	0982	26 - 9999	Service package for material hoppers	with mechanical front flap	consisting of floor plates, conveyor covers, mounting material			2031619
				with hydraulic front flap	consisting of floor plates, conveyor covers, mounting material			2031620
SUPER 1800-2	1182	10 - 9999	Scraper rubber			left and right	2 pc.	4601112253
				only with mechanical inlet flap		Centre	1 pc.	4601112254
			Service package for material hoppers	with mechanical front flap	consisting of floor plates, conveyor covers, mounting material			2031619
				with hydraulic front flap	consisting of floor plates, conveyor covers, mounting material			2031620
SUPER 1800-3	1482	10 - 9999	Scraper rubber	with hydraulic inlet flap		Centre	1 pc.	2267686
				only with mechanical inlet flap		Centre	1 pc.	4601112254
				only with mechanical inlet flap		left and right	2 pc.	2267786
				with hydraulic inlet flap		left and right	2 pc.	2267692
SUPER 1800-3i	1482	10 - 9999	Scraper rubber	with hydraulic inlet flap		Centre	1 pc.	2267686
				only with mechanical inlet flap		Centre	1 pc.	4601112254
				only with mechanical inlet flap		left and right	2 pc.	2267786





MATERIAL HOPPER									
Series code	Serial code	Series range	Part	Version	Package content	Position	Re-quire-ment	Part no.	
SUPER 1800-3i	1482	10 - 9999	Scraper rubber	with hydraulic inlet flap		left and right	2 pc.	2267692	
SUPER 1803-1	0783	10 - 18	Service package for material hoppers	with mechanical front flap	consisting of floor plates, conveyor covers, mounting material			2013187	
				with hydraulic front flap	consisting of floor plates, conveyor covers, mounting material			2013188	
		10 - 9999	Scraper rubber				left and right	2 pc.	4601112253
				only with mechanical inlet flap			Centre	1 pc.	4601112254
		19 - 9999	Service package for material hoppers	with mechanical front flap	consisting of floor plates, conveyor covers, mounting material				2031619
				with hydraulic front flap	consisting of floor plates, conveyor covers, mounting material				2031620
SUPER 1803-2	0883	10 - 9999	Scraper rubber			left and right	2 pc.	4601112253	
				only with mechanical inlet flap			Centre	1 pc.	4601112254
			Service package for material hoppers	with mechanical front flap	consisting of floor plates, conveyor covers, mounting material				2031619
				with hydraulic front flap	consisting of floor plates, conveyor covers, mounting material				2031620
SUPER 1803-3	1083	10 - 9999	Scraper rubber	with hydraulic inlet flap		Centre	1 pc.	2267686	
				with hydraulic inlet flap		left and right	2 pc.	2267692	
				only with mechanical inlet flap		Centre	1 pc.	4601112254	

Original VÖGELE  
**FEED OF MIX**

MATERIAL HOPPER								
Series code	Serial code	Series range	Part	Version	Package content	Position	Re-quirement	Part no.
SUPER 1803-3	1083	10 - 9999	Scraper rubber	only with mechanical inlet flap		left and right	2 pc.	2267786
			Service package for material hoppers	with hydraulic front flap	consisting of floor plates, conveyor covers, mounting material			2355960
				with mechanical front flap	consisting of floor plates, conveyor covers, mounting material			2355880
SUPER 1803-3i	1083	10 - 9999	Scraper rubber	with hydraulic inlet flap		Centre	1 pc.	2267686
				with hydraulic inlet flap		left and right	2 pc.	2267692
				only with mechanical inlet flap		Centre	1 pc.	4601112254
				only with mechanical inlet flap		left and right	2 pc.	2267786
			Service package for material hoppers	with hydraulic front flap	consisting of floor plates, conveyor covers, mounting material			2355960
				with mechanical front flap	consisting of floor plates, conveyor covers, mounting material			2355880
SUPER 1900-2	0719	10 - 9999	Scraper rubber			left and right	2 pc.	4601112202
				only with mechanical inlet flap		Centre	1 pc.	4601112215
			Service package for material hoppers	with hydraulic front flap	consisting of floor plates, conveyor covers, mounting material			2041452
				with mechanical front flap	consisting of floor plates, conveyor covers, mounting material			2041453



MATERIAL HOPPER								
Series code	Serial code	Series range	Part	Version	Package content	Position	Re-quire-ment	Part no.
SUPER 1900-3	0819	10 - 9999	Scraper rubber	only with mechanical inlet flap		left and right	2 pc.	2183421
				with hydraulic inlet flap		Centre	1 pc.	2212906
				only with mechanical inlet flap		Centre	1 pc.	4601112215
				with hydraulic inlet flap		left and right	2 pc.	2213268
			Service package for material hoppers	with hydraulic front flap	consisting of floor plates, conveyor covers, mounting material			2269373
				with mechanical front flap	consisting of floor plates, conveyor covers, mounting material			2269356
SUPER 1900-3i	0819	10 - 9999	Scraper rubber	only with mechanical inlet flap		left and right	2 pc.	2183421
				with hydraulic inlet flap		Centre	1 pc.	2212906
				only with mechanical inlet flap		Centre	1 pc.	4601112215
				with hydraulic inlet flap		left and right	2 pc.	2213268
			Service package for material hoppers	with hydraulic front flap	consisting of floor plates, conveyor covers, mounting material			2269373
				with mechanical front flap	consisting of floor plates, conveyor covers, mounting material			2269356
SUPER 2000-3	1174	10 - 9999	Scraper rubber	with hydraulic inlet flap		Centre	1 pc.	2212906

Original VÖGELE  
**FEED OF MIX**

MATERIAL HOPPER								
Series code	Serial code	Series range	Part	Version	Package content	Position	Re-quirement	Part no.
SUPER 2000-3	1174	10 - 9999	Scraper rubber			left and right	2 pc.	2427961
			Service package for material hoppers	with hydraulic front flap	consisting of floor plates, conveyor covers, mounting material			2446062
SUPER 2000-3i	1174	10 - 9999	Scraper rubber	with hydraulic inlet flap		Centre	1 pc.	2212906
						left and right	2 pc.	2427961
			Service package for material hoppers	with hydraulic front flap	consisting of floor plates, conveyor covers, mounting material			2446062
SUPER 2003-3	0975	10 - 9999	Scraper rubber	with hydraulic inlet flap		Centre	1 pc.	2212906
						left and right	2 pc.	2427961
			Service package for material hoppers	with hydraulic front flap	consisting of floor plates, conveyor covers, mounting material			2446062
SUPER 2003-3i	0975	10 - 9999	Scraper rubber	with hydraulic inlet flap		Centre	1 pc.	2212906
						left and right	2 pc.	2427961
			Service package for material hoppers	with hydraulic front flap	consisting of floor plates, conveyor covers, mounting material			2446062
SUPER 2100-2	0719	10 - 9999	Scraper rubber			left and right	2 pc.	4601112202
				only with mechanical inlet flap		Centre	1 pc.	4601112215



MATERIAL HOPPER								
Series code	Serial code	Series range	Part	Version	Package content	Position	Re-quirement	Part no.
SUPER 2100-2	0719	10 - 9999	Service package for material hoppers	with hydraulic front flap	consisting of floor plates, conveyor covers, mounting material			2041452
				with mechanical front flap	consisting of floor plates, conveyor covers, mounting material			2041453
SUPER 2100-2 IP	0719	10 - 9999	Scraper rubber			left and right	2 pc.	4601112202
				only with mechanical inlet flap		Centre	1 pc.	4601112215
			Rubber			left; right	2 pc.	2038431
						left; right	2 pc.	2038429
			Service package for material hoppers	with mechanical front flap	consisting of floor plates, conveyor covers, mounting material			2041453
				with hydraulic front flap	consisting of floor plates, conveyor covers, mounting material			2041452
SUPER 2100-3	0819	10 - 9999	Scraper rubber	only with mechanical inlet flap		Centre	1 pc.	4601112215
				only with mechanical inlet flap		left and right	2 pc.	2183421
				with hydraulic inlet flap		Centre	1 pc.	2212906
				with hydraulic inlet flap		left and right	2 pc.	2213268
			Service package for material hoppers	with mechanical front flap	consisting of floor plates, conveyor covers, mounting material			2269356
				with hydraulic front flap	consisting of floor plates, conveyor covers, mounting material			2269373

Original VÖGELE  
**FEED OF MIX**

MATERIAL HOPPER								
Series code	Serial code	Series range	Part	Version	Package content	Position	Re-quirement	Part no.
SUPER 2100-3i	0819	10 - 9999	Scraper rubber	only with mechanical inlet flap		left and right	2 pc.	2183421
				with hydraulic inlet flap		Centre	1 pc.	2212906
				only with mechanical inlet flap		Centre	1 pc.	4601112215
				with hydraulic inlet flap		left and right	2 pc.	2213268
			Service package for material hoppers	with hydraulic front flap	consisting of floor plates, conveyor covers, mounting material			2269373
				with mechanical front flap	consisting of floor plates, conveyor covers, mounting material			2269356
SUPER 3000-2	0874	10 - 9999	Scraper rubber			Centre	1 pc.	2119569
						left and right	2 pc.	2120400
			Service package for material hoppers	with hydraulic front flap; with mechanical front flap	consisting of floor plates, conveyor covers, mounting material			2164939
SUPER 3000-3	1074	10 - 9999	Rubber scraper			Centre	1 pc.	2648177
						left and right	2 pc.	2648186
						left and right	2 pc.	2602941
						Centre	1 pc.	2603017
			Service package for material hoppers					2910975
SUPER 3000-3i	1074	10 - 9999	Rubber scraper			Centre	1 pc.	2648177



MATERIAL HOPPER									
Series code	Serial code	Series range	Part	Version	Package content	Position	Re-quire-ment	Part no.	
SUPER 3000-3i	1074	10 - 9999	Rubber scraper			left and right	2 pc.	2648186	
						left and right	2 pc.	2602941	
						Centre	1 pc.	2603017	
				Service package for material hoppers					
SUPER 1800-2 SJ	1182	10 - 9999	Scraper rubber	only with asymmetric hopper		left and right	2 pc.	2082175	
				only with asymmetric hopper		Centre	1 pc.	2101422	
			Service package for material hoppers	with mechanical front flap	consisting of floor plates, conveyor covers, mounting material				2031619
				with hydraulic front flap	consisting of floor plates, conveyor covers, mounting material				2031620
SUPER 1800-3 SJ	1482	10 - 9999	Scraper rubber	with hydraulic inlet flap		Centre	1 pc.	2267686	
				with hydraulic inlet flap		left and right	2 pc.	2267692	
				only with mechanical inlet flap		Centre	1 pc.	4601112254	
				only with mechanical inlet flap		left and right	2 pc.	2267786	
			Service package for material hoppers	with hydraulic front flap	consisting of floor plates, conveyor covers, mounting material				2355960
				with mechanical front flap	consisting of floor plates, conveyor covers, mounting material				2355880

Original VÖGELE  
**FEED OF MIX**

MATERIAL HOPPER								
Series code	Serial code	Series range	Part	Version	Package content	Position	Re-quire-ment	Part no.
SUPER 1800-3i SJ	1482	10 - 9999	Scraper rubber	with hy-draulic in-let flap		Centre	1 pc.	2267686
				with hy-draulic in-let flap		left and right	2 pc.	2267692
				only with mechan-ical inlet flap		Centre	1 pc.	4601112254
				only with mechan-ical inlet flap		left and right	2 pc.	2267786
			Service package for mater-ial hoppers	with hy-draulic front flap	consisting of floor plates, conveyor cov-ers, mounting mater-ial			2355960
				with mechan-ical front flap	consisting of floor plates, conveyor cov-ers, mounting mater-ial			2355880
MT 3000-2	0761	10 - 9999	Rubber			right	1 pc.	2182289
						Centre	1 pc.	2203763
						left	1 pc.	2182307
MT 3000-3	0861	10 - 9999	Rubber			Centre	1 pc.	2203763
						right	1 pc.	2182289
						left	1 pc.	2182307
MT 3000-3i	0861	10 - 9999	Rubber			left	1 pc.	2182307
						Centre	1 pc.	2203763
						right	1 pc.	2182289





## AUGER DRIVE

VÖGELE sprockets and roller chains are produced from highly wear-resistant materials while maintaining the tightest manufacturing tolerances. They are designed for optimum power transmission and smooth running with low wear. This results in high-performance material conveying over a long service life.



AUGER DRIVE						
Series code	Serial code	Series range	Part	Position	Requirement	Part no.
SUPER 700	0790	10 - 9999	Drive chain		1 pc.	2014367
			Track sprocket	connected to gearbox	1 pc.	2014304
SUPER 700-3	0890	10 - 9999	Drive chain		2 pc.	2014367
			Track sprocket	connected to gearbox	2 pc.	2014304
SUPER 700-3i	0890	10 - 9999	Drive chain		2 pc.	2014367
			Track sprocket	connected to gearbox	2 pc.	2014304
SUPER 800	0790	10 - 9999	Drive chain		1 pc.	2014367
			Track sprocket	connected to gearbox	1 pc.	2014304
SUPER 800-3	0890	10 - 9999	Drive chain		2 pc.	2014367
			Track sprocket	connected to gearbox	2 pc.	2014304
SUPER 800-3i	0890	10 - 9999	Drive chain		2 pc.	2014367
			Track sprocket	connected to gearbox	2 pc.	2014304
SUPER 700	0990	10 - 9999	Drive chain		2 pc.	2014367
			Track sprocket	connected to gearbox	2 pc.	2014304
SUPER 800	0990	10 - 9999	Drive chain		2 pc.	2014367
			Track sprocket	connected to gearbox	2 pc.	2014304
SUPER 700i	0990	10 - 9999	Drive chain		2 pc.	2014367
			Track sprocket	connected to gearbox	2 pc.	2014304
SUPER 800i	0990	10 - 9999	Drive chain		2 pc.	2014367
			Track sprocket	connected to gearbox	2 pc.	2014304

Original VÖGELE  
**FEED OF MIX**

AUGER DRIVE						
Series code	Serial code	Series range	Part	Position	Requirement	Part no.
SUPER 1100-2	0811	10 - 9999	Drive chain		2 pc.	2053888
			Sprocket	connected to gearbox	2 pc.	4610062263
SUPER 1100-3	1011, 1411	10 - 9999	Drive chain		2 pc.	2053888
			Sprocket	connected to gearbox	2 pc.	4610062263
SUPER 1100-3i	1011, 1411	10 - 9999	Drive chain		2 pc.	2053888
			Sprocket	connected to gearbox	2 pc.	4610062263
SUPER 1103-2	0911	10 - 9999	Drive chain		2 pc.	2053888
			Sprocket	connected to gearbox	2 pc.	4610062263
SUPER 1103-3	1111, 1511	10 - 9999	Drive chain		2 pc.	2053888
			Sprocket	connected to gearbox	2 pc.	4610062263
SUPER 1103-3i	1111, 1511	10 - 9999	Drive chain		2 pc.	2053888
			Sprocket	connected to gearbox	2 pc.	4610062263
SUPER 1300-2	0811	10 - 9999	Drive chain		2 pc.	2053888
			Sprocket	connected to gearbox	2 pc.	4610062263
SUPER 1300-3	1011, 1411	10 - 9999	Drive chain		2 pc.	2053888
			Sprocket	connected to gearbox	2 pc.	4610062263
SUPER 1300-3i	1011, 1411	10 - 9999	Drive chain		2 pc.	2053888
			Sprocket	connected to gearbox	2 pc.	4610062263
SUPER 1303-2	0911	10 - 9999	Drive chain		2 pc.	2053888
			Sprocket	connected to gearbox	2 pc.	4610062263
SUPER 1303-3	1111, 1511	10 - 9999	Drive chain		2 pc.	2053888
			Sprocket	connected to gearbox	2 pc.	4610062263
SUPER 1303-3i	1111, 1511	10 - 9999	Drive chain		2 pc.	2053888
			Sprocket	connected to gearbox	2 pc.	4610062263
SUPER 1600-1	0782, 0982	10 - 9999	Drive chain		2 pc.	2026963
			Sprocket	connected to gearbox	2 pc.	4610062220



AUGER DRIVE						
Series code	Serial code	Series range	Part	Position	Requirement	Part no.
SUPER 1600-2	1182	10 - 9999	Drive chain		2 pc.	2026906
			Sprocket	connected to gearbox	2 pc.	4610062220
SUPER 1600-3	1582	10 - 9999	Drive chain		2 pc.	2026963
			Sprocket	connected to gearbox	2 pc.	2313254
SUPER 1600-3i	1582	10 - 9999	Drive chain		2 pc.	2026963
			Sprocket	connected to gearbox	2 pc.	2313254
SUPER 1603-1	0783	10 - 9999	Drive chain		2 pc.	2026963
			Sprocket	connected to gearbox	2 pc.	4610062220
SUPER 1603-2	0883	10 - 9999	Drive chain		2 pc.	2026906
			Sprocket	connected to gearbox	2 pc.	4610062220
SUPER 1603-3i	1183	10 - 9999	Drive chain		2 pc.	2026963
			Sprocket	connected to gearbox	2 pc.	2313254
SUPER 1603-3	1183	10 - 9999	Drive chain		2 pc.	2026963
			Sprocket	connected to gearbox	2 pc.	2313254
SUPER 1700-3	1982	10 - 9999	Drive chain		2 pc.	2026963
			Sprocket	connected to gearbox	2 pc.	2313254
SUPER 1700-3i	1982	10 - 9999	Drive chain		2 pc.	2026963
			Sprocket	connected to gearbox	2 pc.	2313254
SUPER 1703-3	1283	10 - 9999	Drive chain		2 pc.	2026963
			Sprocket	connected to gearbox	2 pc.	2313254
SUPER 1703-3i	1283	10 - 9999	Drive chain		2 pc.	2026963
			Sprocket	connected to gearbox	2 pc.	2313254
SUPER 1800-1	0782, 0982	10 - 9999	Drive chain		2 pc.	2026963
			Sprocket	connected to gearbox	2 pc.	4610062175
SUPER 1800-2	1182	10 - 9999	Drive chain		2 pc.	2026906
			Sprocket	connected to gearbox	2 pc.	4610062220

Original VÖGELE  
**FEED OF MIX**

AUGER DRIVE						
Series code	Serial code	Series range	Part	Position	Requirement	Part no.
SUPER 1800-3	1482	10 - 9999	Drive chain		2 pc.	2254381
			Sprocket	connected to gearbox	2 pc.	2225691
SUPER 1800-3i	1482	10 - 9999	Drive chain		2 pc.	2254381
			Sprocket	connected to gearbox	2 pc.	2225691
SUPER 1803-1	0783	10 - 9999	Drive chain		2 pc.	2026963
			Sprocket	connected to gearbox	2 pc.	4610062220
SUPER 1803-2	0883	10 - 9999	Drive chain		2 pc.	2026906
			Sprocket	connected to gearbox	2 pc.	4610062220
SUPER 1803-3	1083	10 - 9999	Drive chain		2 pc.	2254381
			Sprocket	connected to gearbox	2 pc.	2225691
SUPER 1803-3i	1083	10 - 9999	Drive chain		2 pc.	2254381
			Sprocket	connected to gearbox	2 pc.	2225691
SUPER 1900-2	0719	10 - 9999	Drive chain		2 pc.	3301120062
			Sprocket	connected to gearbox	2 pc.	4610062274
SUPER 1900-3	0819	10 - 9999	Drive chain		2 pc.	3301120062
			Drive chain		2 pc.	3301192062
			Sprocket	connected to gearbox	2 pc.	2225691
SUPER 1900-3i	0819	10 - 9999	Drive chain		2 pc.	3301120062
			Drive chain		2 pc.	3301192062
			Sprocket	connected to gearbox	2 pc.	2225691
SUPER 2000-3	1174	10 - 9999	Drive chain		2 pc.	3301120062
			Sprocket	connected to gearbox	2 pc.	2225691
SUPER 2000-3i	1174	10 - 9999	Drive chain		2 pc.	3301120062
			Sprocket	connected to gearbox	2 pc.	2225691
SUPER 2003-3	0975	10 - 9999	Drive chain		2 pc.	3301120062
			Sprocket	connected to gearbox	2 pc.	2225691



AUGER DRIVE						
Series code	Serial code	Series range	Part	Position	Requirement	Part no.
SUPER 2003-3i	0975	10 - 9999	Drive chain		2 pc.	3301120062
			Sprocket	connected to gearbox	2 pc.	2225691
SUPER 2100-2	0719	10 - 9999	Drive chain		2 pc.	3301120062
			Sprocket	connected to gearbox	2 pc.	4610062274
SUPER 2100-2 IP	0719	10 - 9999	Drive chain		2 pc.	3301120062
			Sprocket	connected to gearbox	2 pc.	4610062274
SUPER 2100-3	0819	10 - 9999	Drive chain		2 pc.	3301120062
			Drive chain		2 pc.	3301192062
			Sprocket	connected to gearbox	2 pc.	2225691
SUPER 2100-3i	0819	10 - 9999	Drive chain		2 pc.	3301120062
			Drive chain		2 pc.	3301192062
			Sprocket	connected to gearbox	2 pc.	2225691
SUPER 3000-2	0874	10 - 32	Sprocket	connected to gearbox	2 pc.	2115834
		10 - 9999	Drive chain		2 pc.	2118129
		33 - 9999	Sprocket	connected to gearbox	2 pc.	2362677
SUPER 3000-3	1074	10 - 9999	Drive chain		2 pc.	2612884
			Sprocket	connected to gearbox	2 pc.	2362677
SUPER 3000-3i	1074	10 - 9999	Drive chain		2 pc.	2612884
			Sprocket	connected to gearbox	2 pc.	2362677
SUPER 1800-2 SJ	1182	10 - 9999	Drive chain		2 pc.	2026906
			Sprocket	connected to gearbox	2 pc.	4610062220
SUPER 1800-3 SJ	1482	10 - 9999	Drive chain		2 pc.	2254381
			Sprocket	connected to gearbox	2 pc.	2225691
SUPER 1800-3i SJ	1482	10 - 9999	Drive chain		2 pc.	2254381
			Sprocket	connected to gearbox	2 pc.	2225691

# Original VÖGELE FEED OF MIX

## SENSORS FOR FEED OF MIX

Blade and sonic sensors from VÖGELE measure the mix rate in order to precisely adjust the feed rate of the auger in automatic mode to the current paving rate by means of proportional drive control.



SENSORS FOR FEED OF MIX					
Series code	Serial code	Series range	Part	Position	Part no.
SUPER 700-3	0890	10 - 9999	Mechanical sensor	left; right	2028964
			Ultrasonic sensor	left; right	2484809
SUPER 700-3i	0890	10 - 9999	Mechanical sensor	left; right	2028964
			Ultrasonic sensor	left; right	2484809
SUPER 800	0790	10 - 9999	Mechanical sensor	left; right	2028964
			Spiral cable	for ultrasonic sensor	2035353
			Ultrasonic sensor	left; right	2013495
SUPER 800-3	0890	10 - 9999	Mechanical sensor	left; right	2028964
			Ultrasonic sensor	left; right	2484809
SUPER 800-3i	0890	10 - 9999	Mechanical sensor	left; right	2028964
			Ultrasonic sensor	left; right	2484809
SUPER 1100-2	0811	10 - 9999	Mechanical sensor	left; right	2042420
			Spiral cable	for ultrasonic sensor	2028733
			Ultrasonic sensor	left; right	2013496
SUPER 1100-3	1011, 1411	10 - 9999	Mechanical sensor	left; right	2042420
			Spiral cable	for ultrasonic sensor	2284323
			Ultrasonic sensor	left; right	2484809
SUPER 1100-3i	1011, 1411	10 - 9999	Mechanical sensor	left; right	2042420
			Spiral cable	for ultrasonic sensor	2284323
			Ultrasonic sensor	left; right	2484809



SENSORS FOR FEED OF MIX					
Series code	Serial code	Series range	Part	Position	Part no.
SUPER 1103-2	0911	10 - 9999	Mechanical sensor	left; right	2042420
			Spiral cable	for ultrasonic sensor	2028733
			Ultrasonic sensor	left; right	2013496
SUPER 1103-3	1111, 1511	10 - 9999	Mechanical sensor	left; right	2042420
			Spiral cable	for ultrasonic sensor	2284323
			Ultrasonic sensor	left; right	2484809
SUPER 1103-3i	1111, 1511	10 - 9999	Mechanical sensor	left; right	2042420
			Spiral cable	for ultrasonic sensor	2284323
			Ultrasonic sensor	left; right	2484809
SUPER 1300-2	0811	10 - 9999	Mechanical sensor	left; right	2042420
			Spiral cable	for ultrasonic sensor	2028733
			Ultrasonic sensor	left; right	2013496
SUPER 1300-3	1011, 1411	10 - 9999	Mechanical sensor	left; right	2042420
			Spiral cable	for ultrasonic sensor	2284323
			Ultrasonic sensor	left; right	2484809
SUPER 1300-3i	1011, 1411	10 - 9999	Mechanical sensor	left; right	2042420
			Spiral cable	for ultrasonic sensor	2284323
			Ultrasonic sensor	left; right	2484809
SUPER 1303-2	0911	10 - 9999	Mechanical sensor	left; right	2042420
			Spiral cable	for ultrasonic sensor	2028733
			Ultrasonic sensor	left; right	2013496
SUPER 1303-3	1111, 1511	10 - 9999	Mechanical sensor	left; right	2042420
			Spiral cable	for ultrasonic sensor	2284323
			Ultrasonic sensor	left; right	2484809
SUPER 1303-3i	1111, 1511	10 - 9999	Mechanical sensor	left; right	2042420
			Spiral cable	for ultrasonic sensor	2284323

Original VÖGELE  
**FEED OF MIX**

SENSORS FOR FEED OF MIX					
Series code	Serial code	Series range	Part	Position	Part no.
SUPER 1303-3i	1111, 1511	10 - 9999	Ultrasonic sensor	left; right	2484809
SUPER 1600-1	0782	10 - 302	Mechanical sensor	right	2454130071
				left	2454130070
			Spiral cable	for ultrasonic sensor	2460770070
		Ultrasonic sensor	left; right	2454130067	
		303 - 9999	Mechanical sensor	left	2454130070
				right	2454130071
	Spiral cable		for ultrasonic sensor	2460770070	
	Ultrasonic sensor	left; right	2013496		
	0982	10 - 9999	Mechanical sensor	right	2032513
				left	2032512
			Spiral cable	for ultrasonic sensor	2028733
			Ultrasonic sensor	left; right	2013496
SUPER 1600-2	1182	10 - 9999	Mechanical sensor	left	2032512
				right	2032513
			Spiral cable	for ultrasonic sensor	2028733
			Ultrasonic sensor	left; right	2013496
SUPER 1600-3	1582	10 - 9999	Mechanical sensor	left	2032512
				right	2032513
			Spiral cable	for ultrasonic sensor	2284323
			Ultrasonic sensor	left; right	2484809
SUPER 1600-3i	1582	10 - 9999	Mechanical sensor	left	2032512
				right	2032513
			Spiral cable	for ultrasonic sensor	2284323
			Ultrasonic sensor	left; right	2484809
SUPER 1603-1	0783	10 - 238	Mechanical sensor	right	2454130071





SENSORS FOR FEED OF MIX					
Series code	Serial code	Series range	Part	Position	Part no.
SUPER 1603-1	0783	10 - 238	Mechanical sensor	left	2454130070
			Spiral cable	for ultrasonic sensor	2460770070
			Ultrasonic sensor	left; right	2454130067
		239 - 9999	Mechanical sensor	left	2454130070
				right	2454130071
			Spiral cable	for ultrasonic sensor	2460770070
Ultrasonic sensor	left; right	2013496			
SUPER 1603-2	0883	10 - 9999	Mechanical sensor	left	2032512
				right	2032513
			Spiral cable	for ultrasonic sensor	2028733
			Ultrasonic sensor	left; right	2013496
SUPER 1603-3i	1183	10 - 9999	Mechanical sensor	left	2032512
				right	2032513
			Spiral cable	for ultrasonic sensor	2284323
			Ultrasonic sensor	left; right	2484809
SUPER 1603-3	1183	10 - 9999	Mechanical sensor	left	2032512
				right	2032513
			Spiral cable	for ultrasonic sensor	2284323
			Ultrasonic sensor	left; right	2484809
SUPER 1700-3	1982	10 - 9999	Spiral cable	for ultrasonic sensor	2284323
			Ultrasonic sensor	left; right	2484818
SUPER 1700-3i	1982	10 - 9999	Spiral cable	for ultrasonic sensor	2284323
			Ultrasonic sensor	left; right	2484818
SUPER 1703-3	1283	10 - 9999	Spiral cable	for ultrasonic sensor	2284323
			Ultrasonic sensor	left; right	2484818
SUPER 1703-3i	1283	10 - 9999	Spiral cable	for ultrasonic sensor	2284323

Original VÖGELE  
**FEED OF MIX**

SENSORS FOR FEED OF MIX						
Series code	Serial code	Series range	Part	Position	Part no.	
SUPER 1703-3i	1283	10 - 9999	Ultrasonic sensor	left; right	2484818	
SUPER 1800-1	0782	10 - 302	Mechanical sensor	right	2454130071	
				left	2454130070	
			Spiral cable	for ultrasonic sensor	2460770070	
			Ultrasonic sensor	left; right	2454130067	
		303 - 9999	Mechanical sensor	left	2454130070	
				right	2454130071	
	Spiral cable		for ultrasonic sensor	2460770070		
		0982	10 - 9999	Ultrasonic sensor	left; right	2013496
	Mechanical sensor			left	2032512	
				right	2032513	
	Spiral cable	for ultrasonic sensor	2028733			
	SUPER 1800-2	1182	10 - 9999	Mechanical sensor	left	2032512
right					2032513	
Spiral cable				for ultrasonic sensor	2028733	
Ultrasonic sensor				left; right	2013496	
SUPER 1800-3	1482	10 - 9999	Mechanical sensor	right	2032513	
				left	2032512	
			Spiral cable	for ultrasonic sensor	2284323	
			Ultrasonic sensor	left; right	2484809	
SUPER 1800-3i	1482	10 - 9999	Mechanical sensor	left	2032512	
				right	2032513	
			Spiral cable	for ultrasonic sensor	2284323	
			Ultrasonic sensor	left; right	2484809	
SUPER 1803-1	0783	10 - 238	Mechanical sensor	right	2454130071	



SENSORS FOR FEED OF MIX					
Series code	Serial code	Series range	Part	Position	Part no.
SUPER 1803-1	0783	10 - 238	Mechanical sensor	left	2454130070
			Spiral cable	for ultrasonic sensor	2460770070
			Ultrasonic sensor	left; right	2454130067
		239 - 9999	Mechanical sensor	left	2454130070
				right	2454130071
			Spiral cable	for ultrasonic sensor	2460770070
Ultrasonic sensor	left; right	2013496			
SUPER 1803-2	0883	10 - 9999	Mechanical sensor	left	2032512
				right	2032513
			Spiral cable	for ultrasonic sensor	2028733
			Ultrasonic sensor	left; right	2013496
SUPER 1803-3	1083	10 - 9999	Mechanical sensor	left	2032512
				right	2032513
			Spiral cable	for ultrasonic sensor	2284323
			Ultrasonic sensor	left; right	2484809
SUPER 1803-3i	1083	10 - 9999	Mechanical sensor	left	2032512
				right	2032513
			Spiral cable	for ultrasonic sensor	2284323
			Ultrasonic sensor	left; right	2484809
SUPER 1900-2	0719	10 - 9999	Mechanical sensor	left	2032512
				right	2032513
			Spiral cable	for ultrasonic sensor	2028733
			Ultrasonic sensor	left; right	2013496
SUPER 1900-3	0819	10 - 9999	Mechanical sensor	left	2032512
				right	2032513
			Spiral cable	for ultrasonic sensor	2284323

Original VÖGELE  
**FEED OF MIX**

SENSORS FOR FEED OF MIX					
Series code	Serial code	Series range	Part	Position	Part no.
SUPER 1900-3	0819	10 - 9999	Ultrasonic sensor	left; right	2484809
SUPER 1900-3i	0819	10 - 9999	Mechanical sensor	left	2032512
				right	2032513
			Spiral cable	for ultrasonic sensor	2284323
			Ultrasonic sensor	left; right	2484809
SUPER 2000-3	1174	10 - 9999	Spiral cable	for ultrasonic sensor	2028733
			Ultrasonic sensor	left; right	2343348
SUPER 2000-3i	1174	10 - 9999	Spiral cable	for ultrasonic sensor	2028733
			Ultrasonic sensor	left; right	2343348
SUPER 2003-3	0975	10 - 9999	Spiral cable	for ultrasonic sensor	2028733
			Ultrasonic sensor	left; right	2343348
SUPER 2003-3i	0975	10 - 9999	Spiral cable	for ultrasonic sensor	2028733
			Ultrasonic sensor	left; right	2343348
SUPER 2100-2	0719	10 - 9999	Mechanical sensor	left	2032512
				right	2032513
			Spiral cable	for ultrasonic sensor	2028733
			Ultrasonic sensor	left; right	2013496
SUPER 2100-2 IP	0719	10 - 9999	Mechanical sensor	left	2032512
				right	2032513
			Spiral cable	for ultrasonic sensor	2028733
			Ultrasonic sensor	left; right	2013496
SUPER 2100-3	0819	10 - 9999	Mechanical sensor	left	2032512
				right	2032513
			Spiral cable	for ultrasonic sensor	2284323
			Ultrasonic sensor	left; right	2484809
SUPER 2100-3i	0819	10 - 9999	Mechanical sensor	left	2032512



SENSORS FOR FEED OF MIX					
Series code	Serial code	Series range	Part	Position	Part no.
SUPER 2100-3i	0819	10 - 9999	Mechanical sensor	right	2032513
			Spiral cable	for ultrasonic sensor	2284323
			Ultrasonic sensor	left; right	2484809
SUPER 3000-2	0874	10 - 9999	Mechanical sensor	left	2032512
				right	2032513
			Spiral cable	for ultrasonic sensor	2028733
			Ultrasonic sensor	left; right	2013496
SUPER 1800-2 SJ	1182	10 - 9999	Mechanical sensor	left	2032512
				right	2032513
			Spiral cable	for ultrasonic sensor	2028733
			Ultrasonic sensor	left; right	2013496
SUPER 1800-3i SJ	1482	10 - 9999	Mechanical sensor	left	2032512
				right	2032513
			Spiral cable	for ultrasonic sensor	2284323
			Ultrasonic sensor	left; right	2484809

# Original VÖGELE FEED OF MIX

## AUGERS

The service package for spreading augers includes all the spare parts needed for your VÖGELE paver's basic auger, from auger shafts and auger blades to bearings, drive chains and sprockets.



AUGERS									
Series code	Serial code	Series range	Part	Version	Length of each auger extension	Package content	Position	Working width	Part no.
SUPER 700	0790	10 - 14	Service package for spreading augers						2211984
		10 - 9999	Service package for auger blades			consisting of auger blades, nuts, bolts	right		2178495
						consisting of auger blades, nuts, bolts	left		2178498
		15 - 9999	Service package for spreading augers						2198659
SUPER 700-3	0890	10 - 9999	Service package for auger blades			consisting of auger blades, nuts, bolts	right		2178495
						consisting of auger blades, nuts, bolts	left		2178498
			Service package for spreading augers						
SUPER 700-3i	0890	10 - 9999	Service package for auger blades			consisting of auger blades, nuts, bolts	right		2178495



AUGERS									
Series code	Serial code	Series range	Part	Version	Length of each auger extension	Package content	Position	Working width	Part no.
SUPER 700-3i	0890	10 - 9999	Service package for auger blades			consisting of auger blades, nuts, bolts	left		2178498
			Service package for spreading augers						2198659
SUPER 800	0790	10 - 14	Service package for spreading augers						2211984
		10 - 9999	Service package for auger blades			consisting of auger blades, nuts, bolts	right		2178495
						consisting of auger blades, nuts, bolts	left		2178498
		15 - 9999	Service package for spreading augers						2198659
SUPER 800-3	0890	10 - 9999	Service package for auger blades			consisting of auger blades, nuts, bolts	right		2178495
						consisting of auger blades, nuts, bolts	left		2178498
			Service package for spreading augers						
SUPER 800-3i	0890	10 - 9999	Service package for auger blades			consisting of auger blades, nuts, bolts	right		2178495

Original VÖGELE  
**FEED OF MIX**

AUGERS									
Series code	Serial code	Series range	Part	Version	Length of each auger extension	Package content	Position	Working width	Part no.
SUPER 800-3i	0890	10 - 9999	Service package for auger blades			consisting of auger blades, nuts, bolts	left		2178498
			Service package for spreading augers						2198659
SUPER 1100-2	0811	10 - 329	Service package for spreading augers						2204813
		10 - 543	Service package for auger blades			consisting of auger blades, nuts, bolts	right		2052810
						consisting of auger blades, nuts, bolts	left		2053650
		330 - 543	Service package for spreading augers						2198699
		544 - 9999	Service package for spreading augers						2259296
SUPER 1100-3	1011, 1411	10 - 9999	Service package for auger blades			consisting of auger blades, nuts, bolts			2403347
			Service package for spreading augers						2356555
SUPER 1100-3i	1011, 1411	10 - 9999	Service package for auger blades			consisting of auger blades, nuts, bolts			2403347





AUGERS										
Series code	Serial code	Series range	Part	Version	Length of each auger extension	Package content	Position	Working width	Part no.	
SUPER 1100-3i	1011, 1411	10 - 9999	Service package for spreading augers						2356555	
SUPER 1103-2	0911	10 - 331	Service package for spreading augers						2204813	
		10 - 461	Service package for auger blades			consisting of auger blades, nuts, bolts	right		2052810	
						consisting of auger blades, nuts, bolts	left		2053650	
		332 - 461	Service package for spreading augers							2198699
		462 - 9999	Service package for spreading augers							2259296
SUPER 1103-3	1111, 1511	10 - 9999	Service package for auger blades			consisting of auger blades, nuts, bolts			2403347	
			Service package for spreading augers						2356555	
SUPER 1103-3i	1111, 1511	10 - 9999	Service package for auger blades			consisting of auger blades, nuts, bolts			2403347	

Original VÖGELE  
**FEED OF MIX**

AUGERS										
Series code	Serial code	Series range	Part	Version	Length of each auger extension	Package content	Position	Working width	Part no.	
SUPER 1103-3i	1111, 1511	10 - 9999	Service package for spreading augers						2356555	
SUPER 1300-2	0811	10 - 329	Service package for spreading augers						2204813	
		10 - 543	Service package for auger blades			consisting of auger blades, nuts, bolts	right		2052810	
						consisting of auger blades, nuts, bolts	left		2053650	
		330 - 543	Service package for spreading augers							2198699
		544 - 9999	Service package for spreading augers							2259296
SUPER 1300-3	1011, 1411	10 - 9999	Service package for auger blades			consisting of auger blades, nuts, bolts			2403347	
			Service package for spreading augers						2356555	
SUPER 1300-3i	1011, 1411	10 - 9999	Service package for auger blades			consisting of auger blades, nuts, bolts			2403347	



AUGERS										
Series code	Serial code	Series range	Part	Version	Length of each auger extension	Package content	Position	Working width	Part no.	
SUPER 1300-3i	1011, 1411	10 - 9999	Service package for spreading augers						2356555	
SUPER 1303-2	0911	10 - 331	Service package for spreading augers						2204813	
		10 - 461	Service package for auger blades			consisting of auger blades, nuts, bolts	right		2052810	
						consisting of auger blades, nuts, bolts	left		2053650	
		332 - 461	Service package for spreading augers							2198699
		462 - 9999	Service package for spreading augers							2259296
SUPER 1303-3	1111, 1511	10 - 9999	Service package for auger blades			consisting of auger blades, nuts, bolts			2403347	
			Service package for spreading augers						2356555	
SUPER 1303-3i	1111, 1511	10 - 9999	Service package for auger blades			consisting of auger blades, nuts, bolts			2403347	

Original VÖGELE  
**FEED OF MIX**

AUGERS									
Series code	Serial code	Series range	Part	Version	Length of each auger extension	Package content	Position	Working width	Part no.
SUPER 1303-3i	1111, 1511	10 - 9999	Service package for spreading augers						2356555
SUPER 1600-1	0782	10 - 118	Service package for spreading augers						2013189
		10 - 9999	Service package for auger blades			consisting of auger blades, nuts, bolts			2013195
				for auger extensions	1.045 m	Consisting of auger blades, nuts, bolts for left and right auger extension	up to 4.6 metres	2432624	
				for auger extensions	2.305 m	Consisting of auger blades, nuts, bolts for left and right auger extension	4.6 - 7.1 metres	2432658	
		119 - 9999	Service package for spreading augers						2032089
		0982	10 - 9999	Service package for auger blades			consisting of auger blades, nuts, bolts		



AUGERS									
Series code	Serial code	Series range	Part	Version	Length of each auger extension	Package content	Position	Working width	Part no.
SUPER 1600-1	0982	10 - 9999	Service package for auger blades	for auger extensions	2.305 m	Consisting of auger blades, nuts, bolts for left and right auger extension		4.6 - 7.1 metres	2432658
				for auger extensions	1.045 m	Consisting of auger blades, nuts, bolts for left and right auger extension		up to 4.6 metres	2432624
			Service package for spreading augers						
SUPER 1600-2	1182	10 - 9999	Service package for auger blades			consisting of auger blades, nuts, bolts			2013195
				for auger extensions	0.65 m	Consisting of auger blades, nuts, bolts for left and right auger extension			2432398
				for auger extensions	1.045 m	Consisting of auger blades, nuts, bolts for left and right auger extension		up to 4.6 metres	2432624

Original VÖGELE  
**FEED OF MIX**

AUGERS									
Series code	Serial code	Series range	Part	Version	Length of each auger extension	Package content	Position	Working width	Part no.
SUPER 1600-2	1182	10 - 9999	Service package for auger blades	for auger extensions	1 m	Consisting of auger blades, nuts, bolts for left and right auger extension			2432450
			Service package for spreading augers						2204847
SUPER 1600-3	1582	10 - 9999	Service package for auger blades			consisting of auger blades, nuts, bolts			2013195
				for auger extensions	1 m	Consisting of auger blades, nuts, bolts for left and right auger extension			2432450
				for auger extensions	0.65 m	Consisting of auger blades, nuts, bolts for left and right auger extension			2432448
			Service package for spreading augers						2368969
SUPER 1600-3i	1582	10 - 9999	Service package for auger blades			consisting of auger blades, nuts, bolts			2013195



AUGERS									
Series code	Serial code	Series range	Part	Version	Length of each auger extension	Package content	Position	Working width	Part no.
SUPER 1600-3i	1582	10 - 9999	Service package for auger blades	for auger extensions	1 m	Consisting of auger blades, nuts, bolts for left and right auger extension			2432450
				for auger extensions	0.65 m	Consisting of auger blades, nuts, bolts for left and right auger extension			2432448
			Service package for spreading augers						
SUPER 1603-1	0783	10 - 113	Service package for spreading augers						2013189
		10 - 9999	Service package for auger blades			consisting of auger blades, nuts, bolts			2013195
				for auger extensions	1.045 m	Consisting of auger blades, nuts, bolts for left and right auger extension		up to 4.6 metres	2432624

Original VÖGELE  
**FEED OF MIX**

AUGERS									
Series code	Serial code	Series range	Part	Version	Length of each auger extension	Package content	Position	Working width	Part no.
SUPER 1603-1	0783	114 - 9999	Service package for spreading augers						2032089
SUPER 1603-2	0883	10 - 9999	Service package for auger blades	for auger extensions	1 m	Consisting of auger blades, nuts, bolts for left and right auger extension			2432450
				for auger extensions	1.045 m	Consisting of auger blades, nuts, bolts for left and right auger extension		up to 4.6 metres	2432624
						consisting of auger blades, nuts, bolts			2013195
				for auger extensions	0.65 m	Consisting of auger blades, nuts, bolts for left and right auger extension			2432398
			Service package for spreading augers						
SUPER 1603-3i	1183	10 - 9999	Service package for auger blades			consisting of auger blades, nuts, bolts			2013195





AUGERS									
Series code	Serial code	Series range	Part	Version	Length of each auger extension	Package content	Position	Working width	Part no.
SUPER 1603-3i	1183	10 - 9999	Service package for auger blades	for auger extensions	1 m	Consisting of auger blades, nuts, bolts for left and right auger extension			2432450
				for auger extensions	0.65 m	Consisting of auger blades, nuts, bolts for left and right auger extension			2432448
			Service package for spreading augers						
SUPER 1603-3	1183	10 - 9999	Service package for auger blades			consisting of auger blades, nuts, bolts			2013195
				for auger extensions	1 m	Consisting of auger blades, nuts, bolts for left and right auger extension			2432450
				for auger extensions	0.65 m	Consisting of auger blades, nuts, bolts for left and right auger extension			2432448



Original VÖGELE  
**FEED OF MIX**

AUGERS									
Series code	Serial code	Series range	Part	Version	Length of each auger extension	Package content	Position	Working width	Part no.
SUPER 1603-3	1183	10 - 9999	Service package for spreading augers						2368969
SUPER 1700-3	1982	10 - 9999	Service package for auger blades			consisting of auger blades, nuts, bolts			2013195
				for auger extensions	3x 1 ft each, plug-in	Consisting of auger blades, nuts, bolts for left and right auger extension			2446119
			Service package for spreading augers						2368969
SUPER 1700-3i	1982	10 - 9999	Service package for auger blades			consisting of auger blades, nuts, bolts			2013195
				for auger extensions	3x 1 ft each, plug-in	Consisting of auger blades, nuts, bolts for left and right auger extension			2446119
			Service package for spreading augers						2368969
SUPER 1703-3	1283	10 - 9999	Service package for auger blades			consisting of auger blades, nuts, bolts			2013195



AUGERS									
Series code	Serial code	Series range	Part	Version	Length of each auger extension	Package content	Position	Working width	Part no.
SUPER 1703-3	1283	10 - 9999	Service package for auger blades	for auger extensions	3x 1 ft each, plug-in	Consisting of auger blades, nuts, bolts for left and right auger extension			2446119
			Service package for spreading augers						2368969
SUPER 1703-3i	1283	10 - 9999				consisting of auger blades, nuts, bolts			2013195
			Service package for auger blades	for auger extensions	3x 1 ft each, plug-in	Consisting of auger blades, nuts, bolts for left and right auger extension			2446119
			Service package for spreading augers						2368969
SUPER 1800-1	0782	10 - 118	Service package for spreading augers						2146796
		10 - 9999	Service package for auger blades			consisting of auger blades, nuts, bolts			2013195

Original VÖGELE  
**FEED OF MIX**

AUGERS									
Series code	Serial code	Series range	Part	Version	Length of each auger extension	Package content	Position	Working width	Part no.
SUPER 1800-1	0782	10 - 9999	Service package for auger blades	for auger extensions	1.045 m	Consisting of auger blades, nuts, bolts for left and right auger extension		up to 4.6 metres	2432624
				for auger extensions	2.305 m	Consisting of auger blades, nuts, bolts for left and right auger extension		4.6 - 7.1 metres	2432658
		119 - 9999	Service package for spreading augers						2091731
	0982	10 - 9999	Service package for auger blades			consisting of auger blades, nuts, bolts			2013195
				for auger extensions	2.305 m	Consisting of auger blades, nuts, bolts for left and right auger extension		4.6 - 7.1 metres	2432658
				for auger extensions	1.045 m	Consisting of auger blades, nuts, bolts for left and right auger extension		up to 4.6 metres	2432624



AUGERS									
Series code	Serial code	Series range	Part	Version	Length of each auger extension	Package content	Position	Working width	Part no.
SUPER 1800-1	0982	10 - 9999	Service package for spreading augers						2091731
SUPER 1800-2	1182	10 - 9999	Service package for auger blades			consisting of auger blades, nuts, bolts			2013195
				for auger extensions	0.65 m	Consisting of auger blades, nuts, bolts for left and right auger extension			2432398
				for auger extensions	1.045 m	Consisting of auger blades, nuts, bolts for left and right auger extension	up to 4.6 metres	2432624	
			for auger extensions	1 m	Consisting of auger blades, nuts, bolts for left and right auger extension		2432450		
			Service package for spreading augers						2198422
SUPER 1800-3	1482	10 - 9999	Service package for auger blades			consisting of auger blades, nuts, bolts			2355876

Original VÖGELE  
**FEED OF MIX**

AUGERS									
Series code	Serial code	Series range	Part	Version	Length of each auger extension	Package content	Position	Working width	Part no.
SUPER 1800-3	1482	10 - 9999	Service package for auger blades	for auger extensions	0.65 m	Consisting of auger blades, nuts, bolts for left and right auger extension			2432398
				for auger extensions	2.305 m	Consisting of auger blades, nuts, bolts for left and right auger extension		4.6 - 7.1 metres	2432658
				for auger extensions	1 m	Consisting of auger blades, nuts, bolts for left and right auger extension			2432450
				for auger extensions	1.045 m	Consisting of auger blades, nuts, bolts for left and right auger extension		up to 4.6 metres	2432624
			Service package for spreading augers						
SUPER 1800-3i	1482	10 - 9999	Service package for auger blades			consisting of auger blades, nuts, bolts			2355876



AUGERS									
Series code	Serial code	Series range	Part	Version	Length of each auger extension	Package content	Position	Working width	Part no.
SUPER 1800-3i	1482	10 - 9999	Service package for auger blades	for auger extensions	0.65 m	Consisting of auger blades, nuts, bolts for left and right auger extension			2432398
				for auger extensions	2.305 m	Consisting of auger blades, nuts, bolts for left and right auger extension		4.6 - 7.1 metres	2432658
				for auger extensions	1 m	Consisting of auger blades, nuts, bolts for left and right auger extension			2432450
				for auger extensions	1.045 m	Consisting of auger blades, nuts, bolts for left and right auger extension		up to 4.6 metres	2432624
			Service package for spreading augers						

Original VÖGELE  
**FEED OF MIX**

AUGERS									
Series code	Serial code	Series range	Part	Version	Length of each auger extension	Package content	Position	Working width	Part no.
SUPER 1803-1	0783	10 - 113	Service package for spreading augers						2013189
		10 - 9999	Service package for auger blades			consisting of auger blades, nuts, bolts			2013195
				for auger extensions	1.045 m	Consisting of auger blades, nuts, bolts for left and right auger extension	up to 4.6 metres	2432624	
		114 - 9999	Service package for spreading augers						2032089
SUPER 1803-2	0883	10 - 9999	Service package for auger blades			consisting of auger blades, nuts, bolts			2013195
				for auger extensions	0.65 m	Consisting of auger blades, nuts, bolts for left and right auger extension		2432398	
				for auger extensions	1.045 m	Consisting of auger blades, nuts, bolts for left and right auger extension	up to 4.6 metres	2432624	





AUGERS									
Series code	Serial code	Series range	Part	Version	Length of each auger extension	Package content	Position	Working width	Part no.
SUPER 1803-2	0883	10 - 9999	Service package for auger blades	for auger extensions	1 m	Consisting of auger blades, nuts, bolts for left and right auger extension			2432450
				Service package for spreading augers					2204847
SUPER 1803-3	1083	10 - 9999	Service package for auger blades			consisting of auger blades, nuts, bolts			2355876
				for auger extensions	0.65 m	Consisting of auger blades, nuts, bolts for left and right auger extension			2432398
				for auger extensions	1.045 m	Consisting of auger blades, nuts, bolts for left and right auger extension		up to 4.6 metres	2432624
				for auger extensions	1 m	Consisting of auger blades, nuts, bolts for left and right auger extension			2432450

Original VÖGELE  
**FEED OF MIX**

AUGERS									
Series code	Serial code	Series range	Part	Version	Length of each auger extension	Package content	Position	Working width	Part no.
SUPER 1803-3	1083	10 - 9999	Service package for spreading augers						2355964
SUPER 1803-3i	1083	10 - 9999	Service package for auger blades			consisting of auger blades, nuts, bolts			2355876
				for auger extensions	0.65 m	Consisting of auger blades, nuts, bolts for left and right auger extension			2432398
				for auger extensions	1.045 m	Consisting of auger blades, nuts, bolts for left and right auger extension	up to 4.6 metres	2432624	
			for auger extensions	1 m	Consisting of auger blades, nuts, bolts for left and right auger extension		2432450		
			Service package for spreading augers						2355964
SUPER 1900-2	0719	10 - 9999	Service package for auger blades			consisting of auger blades, nuts, bolts			2013196



AUGERS									
Series code	Serial code	Series range	Part	Version	Length of each auger extension	Package content	Position	Working width	Part no.
SUPER 1900-2	0719	10 - 9999	Service package for auger blades	for auger extensions	0.65 m	Consisting of auger blades, nuts, bolts for left and right auger extension			2432398
				for auger extensions	1.045 m	Consisting of auger blades, nuts, bolts for left and right auger extension		up to 4.6 metres	2432624
				for auger extensions	1 m	Consisting of auger blades, nuts, bolts for left and right auger extension			2432450
			Service package for spreading augers						
SUPER 1900-3	0819	10 - 9999	Service package for auger blades			consisting of auger blades, nuts, bolts			2013196
				for auger extensions	0.65 m	Consisting of auger blades, nuts, bolts for left and right auger extension			2432398

Original VÖGELE  
**FEED OF MIX**

AUGERS									
Series code	Serial code	Series range	Part	Version	Length of each auger extension	Package content	Position	Working width	Part no.
SUPER 1900-3	0819	10 - 9999	Service package for auger blades	for auger extensions	2.305 m	Consisting of auger blades, nuts, bolts for left and right auger extension		4.6 - 7.1 metres	2432658
				for auger extensions	1 m	Consisting of auger blades, nuts, bolts for left and right auger extension			2432450
				for auger extensions	1.045 m	Consisting of auger blades, nuts, bolts for left and right auger extension		up to 4.6 metres	2432624
			Service package for spreading augers						2269380
SUPER 1900-3i	0819	10 - 9999	Service package for auger blades			consisting of auger blades, nuts, bolts			2013196
				for auger extensions	0.65 m	Consisting of auger blades, nuts, bolts for left and right auger extension			2432398



AUGERS									
Series code	Serial code	Series range	Part	Version	Length of each auger extension	Package content	Position	Working width	Part no.
SUPER 1900-3i	0819	10 - 9999	Service package for auger blades	for auger extensions	2.305 m	Consisting of auger blades, nuts, bolts for left and right auger extension		4.6 - 7.1 metres	2432658
				for auger extensions	1 m	Consisting of auger blades, nuts, bolts for left and right auger extension			2432450
				for auger extensions	1.045 m	Consisting of auger blades, nuts, bolts for left and right auger extension		up to 4.6 metres	2432624
			Service package for spreading augers						2269380
SUPER 2000-3	1174	10 - 9999	Service package for auger blades			consisting of auger blades, nuts, bolts			2013196
				for auger extensions	0.65 m	Consisting of auger blades, nuts, bolts for left and right auger extension			2432398

Original VÖGELE  
**FEED OF MIX**

AUGERS									
Series code	Serial code	Series range	Part	Version	Length of each auger extension	Package content	Position	Working width	Part no.
SUPER 2000-3	1174	10 - 9999	Service package for auger blades	for auger extensions	1 m	Consisting of auger blades, nuts, bolts for left and right auger extension			2432450
				for auger extensions	1.045 m	Consisting of auger blades, nuts, bolts for left and right auger extension		up to 4.6 metres	2432624
				for auger extensions	3x 1 ft each, plug-in	Consisting of auger blades, nuts, bolts for left and right auger extension			2446119
			Service package for spreading augers						2449373
SUPER 2000-3i	1174	10 - 9999	Service package for auger blades			consisting of auger blades, nuts, bolts			2013196
				for auger extensions	0.65 m	Consisting of auger blades, nuts, bolts for left and right auger extension			2432398



AUGERS									
Series code	Serial code	Series range	Part	Version	Length of each auger extension	Package content	Position	Working width	Part no.
SUPER 2000-3i	1174	10 - 9999	Service package for auger blades	for auger extensions	1 m	Consisting of auger blades, nuts, bolts for left and right auger extension			2432450
				for auger extensions	1.045 m	Consisting of auger blades, nuts, bolts for left and right auger extension		up to 4.6 metres	2432624
				for auger extensions	3x 1 ft each, plug-in	Consisting of auger blades, nuts, bolts for left and right auger extension			2446119
			Service package for spreading augers						
SUPER 2003-3	0975	10 - 9999	Service package for auger blades			consisting of auger blades, nuts, bolts			2013196
				for auger extensions	0.65 m	Consisting of auger blades, nuts, bolts for left and right auger extension			2432398

Original VÖGELE  
**FEED OF MIX**

AUGERS									
Series code	Serial code	Series range	Part	Version	Length of each auger extension	Package content	Position	Working width	Part no.
SUPER 2003-3	0975	10 - 9999	Service package for auger blades	for auger extensions	1 m	Consisting of auger blades, nuts, bolts for left and right auger extension			2432450
				for auger extensions	1.045 m	Consisting of auger blades, nuts, bolts for left and right auger extension		up to 4.6 metres	2432624
				for auger extensions	3x 1 ft each, plug-in	Consisting of auger blades, nuts, bolts for left and right auger extension			2446119
			Service package for spreading augers						2449373
SUPER 2003-3i	0975	10 - 9999	Service package for auger blades			consisting of auger blades, nuts, bolts			2013196
				for auger extensions	0.65 m	Consisting of auger blades, nuts, bolts for left and right auger extension			2432398





AUGERS									
Series code	Serial code	Series range	Part	Version	Length of each auger extension	Package content	Position	Working width	Part no.
SUPER 2003-3i	0975	10 - 9999	Service package for auger blades	for auger extensions	1 m	Consisting of auger blades, nuts, bolts for left and right auger extension			2432450
				for auger extensions	1.045 m	Consisting of auger blades, nuts, bolts for left and right auger extension		up to 4.6 metres	2432624
				for auger extensions	3x 1 ft each, plug-in	Consisting of auger blades, nuts, bolts for left and right auger extension			2446119
			Service package for spreading augers						2449373
SUPER 2100-2	0719	10 - 9999	Service package for auger blades	for auger extensions	1 m	Consisting of auger blades, nuts, bolts for left and right auger extension			2432450

Original VÖGELE  
**FEED OF MIX**

AUGERS									
Series code	Serial code	Series range	Part	Version	Length of each auger extension	Package content	Position	Working width	Part no.
SUPER 2100-2	0719	10 - 9999	Service package for auger blades	for auger extensions	1.045 m	Consisting of auger blades, nuts, bolts for left and right auger extension		up to 4.6 metres	2432631
				for auger extensions	0.65 m	Consisting of auger blades, nuts, bolts for left and right auger extension			2432398
						consisting of auger blades, nuts, bolts			2013197
				for auger extensions	2.305 m	Consisting of auger blades, nuts, bolts for left and right auger extension		4.6 - 7.1 metres; 7.1 - 9.7 metres	2432666
			Service package for spreading augers						2198287
SUPER 2100-2 IP	0719	10 - 9999	Service package for auger blades			consisting of auger blades, nuts, bolts			2013197



AUGERS									
Series code	Serial code	Series range	Part	Version	Length of each auger extension	Package content	Position	Working width	Part no.
SUPER 2100-2 IP	0719	10 - 9999	Service package for auger blades	for auger extensions	0.65 m	Consisting of auger blades, nuts, bolts for left and right auger extension			2432398
				for auger extensions	2.305 m	Consisting of auger blades, nuts, bolts for left and right auger extension		4.6 - 7.1 metres; 7.1 - 9.7 metres	2432666
				for auger extensions	1 m	Consisting of auger blades, nuts, bolts for left and right auger extension			2432450
				for auger extensions	1.045 m	Consisting of auger blades, nuts, bolts for left and right auger extension		up to 4.6 metres	2432631
			Service package for spreading augers						
SUPER 2100-3	0819	10 - 9999	Service package for auger blades			consisting of auger blades, nuts, bolts			2013197



Original VÖGELE  
**FEED OF MIX**

AUGERS									
Series code	Serial code	Series range	Part	Version	Length of each auger extension	Package content	Position	Working width	Part no.
SUPER 2100-3	0819	10 - 9999	Service package for auger blades	for auger extensions	1 m	Consisting of auger blades, nuts, bolts for left and right auger extension			2432450
				for auger extensions	0.65 m	Consisting of auger blades, nuts, bolts for left and right auger extension			2432398
				for auger extensions	2.305 m	Consisting of auger blades, nuts, bolts for left and right auger extension		7.1 - 9.7 metres	2432666
				for auger extensions	1.045 m	Consisting of auger blades, nuts, bolts for left and right auger extension		up to 4.6 metres	2432631
				for auger extensions	2.305 m	Consisting of auger blades, nuts, bolts for left and right auger extension		4.6 - 7.1 metres	2432661



AUGERS									
Series code	Serial code	Series range	Part	Version	Length of each auger extension	Package content	Position	Working width	Part no.
SUPER 2100-3	0819	10 - 9999	Service package for spreading augers						2269382
SUPER 2100-3i	0819	10 - 9999	Service package for auger blades			consisting of auger blades, nuts, bolts			2013197
				for auger extensions	1 m	Consisting of auger blades, nuts, bolts for left and right auger extension			2432450
				for auger extensions	0.65 m	Consisting of auger blades, nuts, bolts for left and right auger extension			2432398
				for auger extensions	2.305 m	Consisting of auger blades, nuts, bolts for left and right auger extension		7.1 - 9.7 metres	2432666
				for auger extensions	1.045 m	Consisting of auger blades, nuts, bolts for left and right auger extension		up to 4.6 metres	2432631

Original VÖGELE  
**FEED OF MIX**

AUGERS									
Series code	Serial code	Series range	Part	Version	Length of each auger extension	Package content	Position	Working width	Part no.
SUPER 2100-3i	0819	10 - 9999	Service package for auger blades	for auger extensions	2.305 m	Consisting of auger blades, nuts, bolts for left and right auger extension		4.6 - 7.1 metres	2432661
				Service package for spreading augers					2269382
SUPER 2100-3 HD	0819	10 - 9999	Service package for auger blades	for auger extensions	1 m	Consisting of auger blades, nuts, bolts for left and right auger extension			2432828
						consisting of auger blades, nuts, bolts			2271756
				for auger extensions	0.65 m	Consisting of auger blades, nuts, bolts for left and right auger extension			2432809
				for auger extensions	2.305 m	Consisting of auger blades, nuts, bolts for left and right auger extension			7.1 - 9.7 metres



AUGERS									
Series code	Serial code	Series range	Part	Version	Length of each auger extension	Package content	Position	Working width	Part no.
SUPER 2100-3 HD	0819	10 - 9999	Service package for auger blades	for auger extensions	1.045 m	Consisting of auger blades, nuts, bolts for left and right auger extension		up to 4.6 metres	2432839
				for auger extensions	2.305 m	Consisting of auger blades, nuts, bolts for left and right auger extension		4.6 - 7.1 metres	2432876
			Service package for spreading augers						
SUPER 2100-3i HD	0819	10 - 9999	Service package for auger blades	for auger extensions	1 m	Consisting of auger blades, nuts, bolts for left and right auger extension			2432828
						consisting of auger blades, nuts, bolts			2271756
				for auger extensions	0.65 m	Consisting of auger blades, nuts, bolts for left and right auger extension			2432809

Original VÖGELE  
**FEED OF MIX**

AUGERS									
Series code	Serial code	Series range	Part	Version	Length of each auger extension	Package content	Position	Working width	Part no.
SUPER 2100-3i HD	0819	10 - 9999	Service package for auger blades	for auger extensions	2.305 m	Consisting of auger blades, nuts, bolts for left and right auger extension		7.1 - 9.7 metres	2432880
				for auger extensions	1.045 m	Consisting of auger blades, nuts, bolts for left and right auger extension		up to 4.6 metres	2432839
				for auger extensions	2.305 m	Consisting of auger blades, nuts, bolts for left and right auger extension		4.6 - 7.1 metres	2432876
			Service package for spreading augers						2271754
SUPER 3000-2	0874	10 - 32	Service package for auger blades			consisting of auger blades, nuts, bolts			2164933
				for auger extensions	2.305 m	Consisting of auger blades, nuts, bolts for left and right auger extension		7.1 - 9.7 metres	2432666





AUGERS									
Series code	Serial code	Series range	Part	Version	Length of each auger extension	Package content	Position	Working width	Part no.
SUPER 3000-2	0874	10 - 32	Service package for auger blades	for auger extensions	2.305 m	Consisting of auger blades, nuts, bolts for left and right auger extension		10.7 - 14.3 metres	2432696
				for auger extensions	2.305 m	Consisting of auger blades, nuts, bolts for left and right auger extension		4.6 - 7.1 metres	2432650
				for auger extensions	1.045 m	Consisting of auger blades, nuts, bolts for left and right auger extension		up to 4.6 metres	2432631
				for auger extensions	1 m	Consisting of auger blades, nuts, bolts for left and right auger extension			2432450
				for auger extensions	0.65 m	Consisting of auger blades, nuts, bolts for left and right auger extension			2432398

Original VÖGELE  
**FEED OF MIX**

AUGERS									
Series code	Serial code	Series range	Part	Version	Length of each auger extension	Package content	Position	Working width	Part no.
SUPER 3000-2	0874	10 - 32	Service package for spreading augers						2164964
		33 - 9999	Service package for auger blades	for auger extensions	1.045 m	Consisting of auger blades, nuts, bolts for left and right auger extension		up to 4.6 metres	2432835
				for auger extensions	2.305 m	Consisting of auger blades, nuts, bolts for left and right auger extension		4.6 - 7.1 metres; 7.1 - 9.7 metres; 10.7 - 14.3 metres	2432880
				for auger extensions	1 m	Consisting of auger blades, nuts, bolts for left and right auger extension			2432814
				for auger extensions	0.65 m	Consisting of auger blades, nuts, bolts for left and right auger extension			2432702
						consisting of auger blades, nuts, bolts			2342656



AUGERS									
Series code	Serial code	Series range	Part	Version	Length of each auger extension	Package content	Position	Working width	Part no.
SUPER 3000-2	0874	33 - 9999	Service package for spreading augers						2409908
SUPER 3000-2 HD	0874	10 - 32	Service package for spreading augers						2342644
		10 - 9999	Service package for auger blades	for auger extensions	0.65 m	Consisting of auger blades, nuts, bolts for left and right auger extension			2432702
						consisting of auger blades, nuts, bolts			2342656
				for auger extensions	1 m	Consisting of auger blades, nuts, bolts for left and right auger extension			2432814
				for auger extensions	1.045 m	Consisting of auger blades, nuts, bolts for left and right auger extension		up to 4.6 metres	2432835

Original VÖGELE  
**FEED OF MIX**

AUGERS									
Series code	Serial code	Series range	Part	Version	Length of each auger extension	Package content	Position	Working width	Part no.
SUPER 3000-2 HD	0874	10 - 9999	Service package for auger blades	for auger extensions	2.305 m	Consisting of auger blades, nuts, bolts for left and right auger extension		4.6 - 7.1 metres; 7.1 - 9.7 metres; 10.7 - 14.3 metres	2432880
		33 - 9999	Service package for spreading augers						2409908
SUPER 1800-2 SJ	1182	10 - 9999	Service package for auger blades			consisting of auger blades, nuts, bolts			2013195
				for auger extensions	0.65 m	Consisting of auger blades, nuts, bolts for left and right auger extension			2432398
				for auger extensions	1.045 m	Consisting of auger blades, nuts, bolts for left and right auger extension		up to 4.6 metres	2432624
				for auger extensions	1 m	Consisting of auger blades, nuts, bolts for left and right auger extension			2432450



AUGERS									
Series code	Serial code	Series range	Part	Version	Length of each auger extension	Package content	Position	Working width	Part no.
SUPER 1800-2 SJ	1182	10 - 9999	Service package for spreading augers						2198422
SUPER 1800-3 SJ	1482	10 - 9999	Service package for auger blades			consisting of auger blades, nuts, bolts			2355876
				for auger extensions	0.65 m	Consisting of auger blades, nuts, bolts for left and right auger extension			2432398
				for auger extensions	2.305 m	Consisting of auger blades, nuts, bolts for left and right auger extension		4.6 - 7.1 metres	2432658
				for auger extensions	1 m	Consisting of auger blades, nuts, bolts for left and right auger extension			2432450
				for auger extensions	1.045 m	Consisting of auger blades, nuts, bolts for left and right auger extension		up to 4.6 metres	2432624

Original VÖGELE  
**FEED OF MIX**

AUGERS									
Series code	Serial code	Series range	Part	Version	Length of each auger extension	Package content	Position	Working width	Part no.
SUPER 1800-3 SJ	1482	10 - 9999	Service package for spreading augers						2355964
SUPER 1800-3i SJ	1482	10 - 9999	Service package for auger blades	for auger extensions	2.305 m	Consisting of auger blades, nuts, bolts for left and right auger extension		4.6 - 7.1 metres	2432658
						consisting of auger blades, nuts, bolts			2355876
				for auger extensions	1.045 m	Consisting of auger blades, nuts, bolts for left and right auger extension		up to 4.6 metres	2432624
				for auger extensions	0.65 m	Consisting of auger blades, nuts, bolts for left and right auger extension			2432398
				for auger extensions	1 m	Consisting of auger blades, nuts, bolts for left and right auger extension			2432450



AUGERS									
Series code	Serial code	Series range	Part	Version	Length of each auger extension	Package content	Position	Working width	Part no.
SUPER 1800-3i SJ	1482	10 - 9999	Service package for spreading augers						2355964

Original VÖGELE

# UNDERCARRIAGE CRAWLER DRIVE



VÖGELE pavers are real powerhouses. To translate that much power into the best possible traction, a high-performance undercarriage is required.

But not all undercarriages are the same - different materials are used, different dimensions are

required and a different number of components are fitted. For this reason, all the components are selected to ensure that the machine delivers maximum traction and operational reliability with the lowest possible application-related wear.



> Read more online

## DRIVE SPROCKETS

On all VÖGELE tracked pavers, the power unit is friction-locked to the drive sprocket. The drive sprocket transmits the drive torque of the respective hydraulic motor to the link chain via a gearbox by engaging with the track chain, rotating it and thus setting the crawler unit in motion.



DRIVE SPROCKETS			
Series code	Serial code	Requirement	Part no.
SUPER 700	0790	2 pc.	2013454
SUPER 700-3	0890	2 pc.	2364430
SUPER 700-3i	0890	2 pc.	2364430
SUPER 800	0790	2 pc.	2013454





DRIVE SPROCKETS			
Series code	Serial code	Requirement	Part no.
SUPER 800-3	0890	2 pc.	2364430
SUPER 800-3i	0890	2 pc.	2364430
SUPER 700	0990	2 pc.	2364430
SUPER 800	0990	2 pc.	2364430
SUPER 1100-2	0811	2 pc.	2043368
SUPER 1100-3	1011, 1411	2 pc.	2043368
SUPER 1100-3i	1011, 1411	2 pc.	2043368
SUPER 1300-2	0811	2 pc.	2043368
SUPER 1300-3	1011, 1411	2 pc.	2043368
SUPER 1300-3i	1011, 1411	2 pc.	2043368
SUPER 1600-1	0782, 0982	2 pc.	4610042048
SUPER 1600-2	1182	2 pc.	4610042048
SUPER 1600-3	1582	2 pc.	2331885
SUPER 1600-3i	1582	2 pc.	2331885
SUPER 1700-3	1982	2 pc.	2080552
SUPER 1700-3i	1982	2 pc.	2080552
SUPER 1800-1	0782, 0982	2 pc.	4610042048
SUPER 1800-2	1182	2 pc.	4610042048
SUPER 1800-3	1482	2 pc.	4610042048
SUPER 1800-3i	1482	2 pc.	4610042048
SUPER 1900-2	0719	2 pc.	2038741
SUPER 1900-3	0819	2 pc.	2038741
SUPER 1900-3i	0819	2 pc.	2038741
SUPER 2000-3	1174	2 pc.	2216498
SUPER 2000-3i	1174	2 pc.	2216498
SUPER 2100-2	0719	2 pc.	2038741
SUPER 2100-2 IP	0719	2 pc.	2038741

# UNDERCARRIAGE CRAWLER DRIVE

DRIVE SPROCKETS			
Series code	Serial code	Requirement	Part no.
SUPER 2100-3	0819	2 pc.	2038741
SUPER 2100-3i	0819	2 pc.	2038741
SUPER 3000-2	0874	2 pc.	2115904
SUPER 3000-3	1074	2 pc.	2623582
SUPER 1800-2 SJ	1182	2 pc.	4610042048
SUPER 1800-3i SJ	1482	2 pc.	4610042048
MT 3000-2	0761	2 pc.	2038741
MT 3000-2i	0761	2 pc.	2038741
MT 3000-3	0861	2 pc.	2038741
MT 3000-3i	0861	2 pc.	2038741

## TRACK PADS

In terms of tensile strength, abrasion resistance, elongation at break and tear resistance, genuine VÖGELE track pads achieve significantly higher performance values than imitation track pads.



TRACK PADS						
Series code	Serial code	Part	Track pad system	Package content	Requirement	Part no.
SUPER 700	0790	Service package for track pads	Flat track pad	Track pad with 4 bolts and nuts	66 pc.	2484384
SUPER 700-3	0890	Service package for track pads	Flat track pad	Track pad with 4 bolts and nuts	66 pc.	2484384
SUPER 700-3i	0890	Service package for track pads	Flat track pad	Track pad with 4 bolts and nuts	66 pc.	2484384
SUPER 800	0790	Service package for track pads	Flat track pad	Track pad with 4 bolts and nuts	66 pc.	2484384
SUPER 800-3	0890	Service package for track pads	Flat track pad	Track pad with 4 bolts and nuts	66 pc.	2484384
SUPER 800-3i	0890	Service package for track pads	Flat track pad	Track pad with 4 bolts and nuts	66 pc.	2484384
SUPER 700	0990	Service package for track pads	Flat track pad	Track pad with 4 bolts and nuts	66 pc.	2484384



TRACK PADS						
Series code	Serial code	Part	Track pad system	Package content	Requirement	Part no.
SUPER 800	0990	Service package for track pads	Flat track pad	Track pad with 4 bolts and nuts	66 pc.	2484384
SUPER 1100-2	0811	Service package for track pads	Flat track pad	Track pad with 4 bolts and nuts	76 pc.	2443871
SUPER 1100-3	1011, 1411	Service package for track pads	Flat track pad	Track pad with 4 bolts and nuts	76 pc.	2443871
SUPER 1100-3i	1011, 1411	Service package for track pads	Flat track pad	Track pad with 4 bolts and nuts	76 pc.	2443871
SUPER 1300-2	0811	Service package for track pads	Flat track pad	Track pad with 4 bolts and nuts	76 pc.	2443871
SUPER 1300-3	1011, 1411	Service package for track pads	Flat track pad	Track pad with 4 bolts and nuts	76 pc.	2443871
SUPER 1300-3i	1011, 1411	Service package for track pads	Flat track pad	Track pad with 4 bolts and nuts	76 pc.	2443871
SUPER 1600-1	0782, 0982	Service package for track pads	Flat track pad	Track pad with 4 bolts and nuts	92 pc.	2372467
SUPER 1600-2	1182	Service package for track pads	Flat track pad	Track pad with 4 bolts and nuts	92 pc.	2372467
SUPER 1600-3	1582	Service package for track pads	Flat track pad	Track pad with 4 bolts and nuts	82 pc.	2372467
SUPER 1600-3i	1582	Service package for track pads	Flat track pad	Track pad with 4 bolts and nuts	82 pc.	2372467
SUPER 1800-1	0782, 0982	Service package for track pads	Flat track pad	Track pad with 4 bolts and nuts	92 pc.	2372467
SUPER 1800-2	1182	Service package for track pads	Flat track pad	Track pad with 4 bolts and nuts	92 pc.	2372467
SUPER 1800-3	1482	Service package for track pads	Flat track pad	Track pad with 4 bolts and nuts	92 pc.	2372467
SUPER 1800-3i	1482	Service package for track pads	Flat track pad	Track pad with 4 bolts and nuts	92 pc.	2372467
SUPER 1900-2	0719	Service package for track pads	Flat track pad	Track pad with 4 bolts and nuts	98 pc.	2372467
SUPER 1900-3	0819	Service package for track pads	Flat track pad	Track pad with 4 bolts and nuts	98 pc.	2372467
SUPER 1900-3i	0819	Service package for track pads	Flat track pad	Track pad with 4 bolts and nuts	98 pc.	2372467
SUPER 2100-2	0719	Service package for track pads	Flat track pad	Track pad with 4 bolts and nuts	98 pc.	2372467
SUPER 2100-2 IP	0719	Service package for track pads	Flat track pad	Track pad with 4 bolts and nuts	98 pc.	2372467
SUPER 2100-3	0819	Service package for track pads	Flat track pad	Track pad with 4 bolts and nuts	98 pc.	2372467
SUPER 2100-3i	0819	Service package for track pads	Flat track pad	Track pad with 4 bolts and nuts	98 pc.	2372467
SUPER 3000-2	0874	Service package for track pads	Flat track pad	Track pad with 4 bolts and nuts	108 pc.	2027993
SUPER 3000-3	1074	Service package for track pads	Flat track pad	Track pad with 4 bolts and nuts	116 pc.	2570860
SUPER 1800-2 SJ	1182	Service package for track pads	Flat track pad	Track pad with 4 bolts and nuts	92 pc.	2372467
SUPER 1800-3i SJ	1482	Service package for track pads	Flat track pad	Track pad with 4 bolts and nuts	92 pc.	2372467

# UNDERCARRIAGE CRAWLER DRIVE

TRACK PADS						
Series code	Serial code	Part	Track pad system	Package content	Requirement	Part no.
MT 3000-2	0761	Service package for track pads	Flat track pad	Track pad with 4 bolts and nuts	98 pc.	2372467
MT 3000-2i	0761	Service package for track pads	Flat track pad	Track pad with 4 bolts and nuts	98 pc.	2372467
MT 3000-3	0861	Service package for track pads	Flat track pad	Track pad with 4 bolts and nuts	98 pc.	2372467
MT 3000-3i	0861	Service package for track pads	Flat track pad	Track pad with 4 bolts and nuts	98 pc.	2372467

## TRACK CHAINS

VÖGELE track chains withstand even the toughest continuous loads in everyday use without any issue. Forged chain links made of a boron-manganese modified steel alloy exhibit exceptionally high strength and thus ensure the track chains have a long service life.



TRACK CHAINS						
Series code	Serial code	Series range	Track pad system	Type	Version	Part no.
SUPER 700	0790	10 - 9999	Flat track pad		pre-assembled with track pads	2662889
					without track pads	2033717
SUPER 700-3	0890	10 - 1064			without track pads	2033717
			Flat track pad		pre-assembled with track pads	2013741
		1065 - 9999			without track pads	2668817
			Flat track pad		pre-assembled with track pads	2662889
SUPER 700-3i	0890	10 - 1064			without track pads	2033717
			Flat track pad		pre-assembled with track pads	2013741
		1065 - 9999			without track pads	2668817
			Flat track pad		pre-assembled with track pads	2662889
SUPER 800	0790	10 - 9999	Flat track pad		pre-assembled with track pads	2662889
					without track pads	2033717



TRACK CHAINS						
Series code	Serial code	Series range	Track pad system	Type	Version	Part no.
SUPER 800-3	0890	10 - 1064	Flat track pad		pre-assembled with track pads	2013741
					without track pads	2033717
		1065 - 9999			without track pads	2668817
			Flat track pad		pre-assembled with track pads	2662889
SUPER 800-3i	0890	10 - 1064	Flat track pad		pre-assembled with track pads	2013741
					without track pads	2033717
		1065 - 9999			without track pads	2668817
			Flat track pad		pre-assembled with track pads	2662889
SUPER 700	0990	10 - 9999	Flat track pad		pre-assembled with track pads	2662889
					without track pads	2668817
SUPER 800	0990	10 - 9999	Flat track pad		pre-assembled with track pads	2662889
					without track pads	2668817
SUPER 1100-2	0811	10 - 9999	Flat track pad		pre-assembled with track pads	2583021
					without track pads	2043937
SUPER 1100-3	1011, 1411	10 - 9999	Flat track pad		pre-assembled with track pads	2583021
					without track pads	2043937
SUPER 1100-3i	1011, 1411	10 - 9999	Flat track pad		pre-assembled with track pads	2583021
					without track pads	2043937
SUPER 1300-2	0811	10 - 9999	Flat track pad		pre-assembled with track pads	2583021
					without track pads	2043937
SUPER 1300-3	1011, 1411	10 - 9999	Flat track pad		pre-assembled with track pads	2583021
					without track pads	2043937
SUPER 1300-3i	1011, 1411	10 - 9999	Flat track pad		pre-assembled with track pads	2583021
					without track pads	2043937
SUPER 1600-1	0782, 0982	10 - 9999			without track pads	4610302086
			Flat track pad		pre-assembled with track pads	4610302084

# UNDERCARRIAGE CRAWLER DRIVE

TRACK CHAINS						
Series code	Serial code	Series range	Track pad system	Type	Version	Part no.
SUPER 1600-2	1182	10 - 9999			without track pads	4610302086
			Flat track pad		pre-assembled with track pads	4610302084
SUPER 1600-3	1582	10 - 9999			without track pads	2335404
			Flat track pad		pre-assembled with track pads	2332089
SUPER 1600-3i	1582	10 - 9999			without track pads	2335404
			Flat track pad		pre-assembled with track pads	2332089
SUPER 1700-3	1982	10 - 9999		Slicks	without track pads	2375795
SUPER 1700-3i	1982	10 - 9999		Slicks	without track pads	2375795
SUPER 1800-1	0782, 0982	10 - 9999			without track pads	4610302086
			Flat track pad		pre-assembled with track pads	4610302084
SUPER 1800-2	1182	10 - 9999			without track pads	4610302086
			Flat track pad		pre-assembled with track pads	4610302084
SUPER 1800-3	1482	10 - 9999			without track pads	4610302086
			Flat track pad		pre-assembled with track pads	4610302084
SUPER 1800-3i	1482	10 - 9999			without track pads	4610302086
			Flat track pad		pre-assembled with track pads	4610302084
SUPER 1900-2	0719	10 - 9999	Flat track pad		pre-assembled with track pads	2252658
					without track pads	2056009
SUPER 1900-3	0819	10 - 9999	Flat track pad		pre-assembled with track pads	2252658
					without track pads	2056009
SUPER 1900-3i	0819	10 - 9999	Flat track pad		pre-assembled with track pads	2252658
					without track pads	2056009
SUPER 2000-3	1174	10 - 9999			without track pads	2041065
SUPER 2000-3i	1174	10 - 9999			without track pads	2041065
SUPER 2100-2	0719	10 - 9999	Flat track pad		pre-assembled with track pads	2252658
					without track pads	2056009



TRACK CHAINS						
Series code	Serial code	Series range	Track pad system	Type	Version	Part no.
SUPER 2100-2 IP	0719	10 - 9999	Flat track pad		pre-assembled with track pads	2252658
					without track pads	2056009
SUPER 2100-3	0819	10 - 9999	Flat track pad		pre-assembled with track pads	2252658
					without track pads	2056009
SUPER 2100-3i	0819	10 - 9999	Flat track pad		pre-assembled with track pads	2252658
					without track pads	2056009
SUPER 3000-2	0874	10 - 9999			without track pads	2120878
			Flat track pad		pre-assembled with track pads	2120854
SUPER 3000-3	1074	10 - 9999			without track pads	2687152
			Flat track pad		pre-assembled with track pads	2623626
SUPER 1800-2 SJ	1182	10 - 9999			without track pads	4610302086
			Flat track pad		pre-assembled with track pads	4610302084
SUPER 1800-3i SJ	1482	10 - 9999	Flat track pad		pre-assembled with track pads	4610302084
					without track pads	4610302086
MT 3000-2	0761	10 - 9999	Flat track pad		pre-assembled with track pads	2252658
					without track pads	2056009
MT 3000-3	0861	10 - 9999	Flat track pad		pre-assembled with track pads	2252658
					without track pads	2056009
MT 3000-3i	0861	10 - 9999			without track pads	2056009
			Flat track pad		pre-assembled with track pads	2252658

# UNDERCARRIAGE CRAWLER DRIVE

## TRACK ROLLERS

To ensure that the crawler unit chain can move safely and reliably even under the heaviest loads, VÖGELE track rollers are manufactured to be particularly robust and precisely tailored to the track unit system.



TRACK ROLLERS				
Series code	Serial code	Diameter	Requirement	Part no.
SUPER 700	0790	130 mm	12 pc.	2013745
SUPER 700-3	0890	130 mm	12 pc.	2013745
SUPER 700-3i	0890	130 mm	12 pc.	2013745
SUPER 800	0790	130 mm	12 pc.	2013745
SUPER 800-3	0890	130 mm	12 pc.	2013745
SUPER 800-3i	0890	130 mm	12 pc.	2013745
SUPER 700	0990	130 mm	12 pc.	2013745
SUPER 800	0990	130 mm	12 pc.	2013745
SUPER 1100-2	0811	135 mm	14 pc.	4611340027
SUPER 1100-3	1011, 1411	135 mm	14 pc.	2307941
SUPER 1100-3i	1011, 1411	135 mm	14 pc.	2307941
SUPER 1300-2	0811	135 mm	14 pc.	4611340027
SUPER 1300-3	1011, 1411	135 mm	14 pc.	2307941
SUPER 1300-3i	1011, 1411	135 mm	14 pc.	2307941
SUPER 1600-1	0782, 0982	156 mm	10 pc.	4611340028
SUPER 1600-2	1182	156 mm	10 pc.	4611340028
		180 mm	6 pc.	4611340029
SUPER 1600-3	1582	156 mm	10 pc.	4611340028
		90 mm	4 pc.	2306186
		180 mm	6 pc.	4611340029
SUPER 1600-3i	1582	156 mm	10 pc.	4611340028





TRACK ROLLERS				
Series code	Serial code	Diameter	Requirement	Part no.
SUPER 1600-3i	1582	90 mm	4 pc.	2306186
		180 mm	6 pc.	4611340029
SUPER 1700-3	1982	270 mm	24 pc.	2080543
SUPER 1700-3i	1982	270 mm	24 pc.	2080543
SUPER 1800-1	0782, 0982	180 mm	6 pc.	4611340029
SUPER 1800-2	1182	156 mm	10 pc.	4611340028
		180 mm	6 pc.	4611340029
SUPER 1800-3	1482	156 mm	10 pc.	4611340028
		90 mm	4 pc.	2306186
		180 mm	8 pc.	4611340029
SUPER 1800-3i	1482	90 mm	4 pc.	2306186
		156 mm	10 pc.	4611340028
		180 mm	8 pc.	4611340029
SUPER 1900-2	0719	180 mm	8 pc.	2038715
		156 mm	12 pc.	2038734
SUPER 1900-3	0819	180 mm	8 pc.	2038715
		98 mm	6 pc.	2199919
		156 mm	14 pc.	2038734
SUPER 1900-3i	0819	180 mm	8 pc.	2038715
		98 mm	6 pc.	2199919
		156 mm	14 pc.	2038734
SUPER 2000-3	1174	300 mm	24 pc.	2184765
SUPER 2000-3i	1174	300 mm	24 pc.	2184765
SUPER 2100-2	0719	180 mm	8 pc.	2038715
		156 mm	12 pc.	2038734
SUPER 2100-2 IP	0719	180 mm	8 pc.	2038715
		156 mm	12 pc.	2038734

# UNDERCARRIAGE CRAWLER DRIVE

TRACK ROLLERS				
Series code	Serial code	Diameter	Requirement	Part no.
SUPER 2100-3	0819	180 mm	8 pc.	2038715
		156 mm	14 pc.	2038734
		98 mm	6 pc.	2199919
SUPER 2100-3i	0819	180 mm	8 pc.	2038715
		156 mm	14 pc.	2038734
		98 mm	6 pc.	2199919
SUPER 3000-2	0874	180 mm	16 pc.	2038715
		180 mm	6 pc.	2133094
SUPER 3000-3	1074	98 mm	6 pc.	2199919
		180 mm	18 pc.	2038715
		180 mm	6 pc.	2133094
SUPER 1800-2 SJ	1182	180 mm	6 pc.	4611340029
		156 mm	10 pc.	4611340028
SUPER 1800-3i SJ	1482	156 mm	10 pc.	4611340028
		180 mm	8 pc.	4611340029
		90 mm	4 pc.	2306186
MT 3000-2	0761	180 mm	8 pc.	2038715
		180 mm	12 pc.	2225787
MT 3000-3	0861	180 mm	8 pc.	2038715
		180 mm	12 pc.	2225787
		98 mm	6 pc.	2199919
MT 3000-3i	0861	180 mm	12 pc.	2225787
		98 mm	6 pc.	2199919
		180 mm	8 pc.	2038715



## IDLERS

The robust VÖGELE idler guides and tensions the track chain, reliably keeping it in the proper position.



IDLERS				
Series code	Serial code	Part	Requirement	Part no.
SUPER 700	0790	Idler	2 pc.	2030568
SUPER 700-3	0890	Idler	2 pc.	2030568
SUPER 700-3i	0890	Idler	2 pc.	2030568
SUPER 800	0790	Idler	2 pc.	2030568
SUPER 800-3	0890	Idler	2 pc.	2030568
SUPER 800-3i	0890	Idler	2 pc.	2030568
SUPER 700	0990	Idler	2 pc.	2030568
SUPER 800	0990	Idler	2 pc.	2030568
SUPER 1100-2	0811	Idler	2 pc.	2043929
SUPER 1100-3	1011, 1411	Idler	2 pc.	2043929
SUPER 1100-3i	1011, 1411	Idler	2 pc.	2043929
SUPER 1300-2	0811	Idler	2 pc.	2043929
SUPER 1300-3	1011, 1411	Idler	2 pc.	2043929
SUPER 1300-3i	1011, 1411	Idler	2 pc.	2043929
SUPER 1600-1	0782, 0982	Idler	2 pc.	2008160
SUPER 1600-2	1182	Idler	2 pc.	2008160
SUPER 1600-3	1582	Idler	2 pc.	2008160
SUPER 1600-3i	1582	Idler	2 pc.	2008160
SUPER 1700-3	1982	Idler	4 pc.	2080556
SUPER 1700-3i	1982	Idler	4 pc.	2080556
SUPER 1800-1	0782, 0982	Idler	2 pc.	2008160

**UNDERCARRIAGE CRAWLER DRIVE**

IDLERS				
Series code	Serial code	Part	Requirement	Part no.
SUPER 1800-2	1182	Idler	2 pc.	2008160
SUPER 1800-3	1482	Idler	2 pc.	2008160
SUPER 1800-3i	1482	Idler	2 pc.	2008160
SUPER 1900-2	0719	Idler	2 pc.	2038731
SUPER 1900-3i	0819	Idler	2 pc.	2038731
SUPER 2000-3	1174	Idler	4 pc.	2184767
SUPER 2000-3i	1174	Idler	4 pc.	2184767
SUPER 2100-2	0719	Idler	2 pc.	2038731
SUPER 2100-2 IP	0719	Idler	2 pc.	2038731
SUPER 2100-3i	0819	Idler	2 pc.	2038731
SUPER 3000-2	0874	Idler	1 pc.	2134780
SUPER 3000-3	1074	Idler	2 pc.	2639347
SUPER 1800-2 SJ	1182	Idler	2 pc.	2008160
SUPER 1800-3i SJ	1482	Idler	2 pc.	2008160
MT 3000-2	0761	Idler	2 pc.	2038731
MT 3000-3	0861	Idler	2 pc.	2038731
MT 3000-3i	0861	Idler	2 pc.	2038731



## TENSIONER UNITS

The shock-resistant and maintenance-free tensioner units ensure that the track always has the proper tensioning pressure.



TENSIONER UNITS					
Series code	Serial code	Series range	Package includes	Requirement	Part no.
SUPER 700	0790	10 - 9999		2 pc.	2030566
SUPER 700-3	0890	10 - 1162		2 pc.	2030566
		1163 - 9999		2 pc.	2682057
SUPER 700-3i	0890	10 - 1162		2 pc.	2030566
		1163 - 9999		2 pc.	2682057
SUPER 800	0790	10 - 9999		2 pc.	2030566
SUPER 800-3	0890	10 - 1162		2 pc.	2030566
		1163 - 9999		2 pc.	2682057
SUPER 800-3i	0890	10 - 1162		2 pc.	2030566
		1163 - 9999		2 pc.	2682057
SUPER 700	0990	10 - 9999		2 pc.	2682057
SUPER 800	0990	10 - 9999		2 pc.	2682057
SUPER 1100-2	0811	10 - 9999		2 pc.	2043932
SUPER 1100-3	1011, 1411	10 - 9999		2 pc.	2043932
SUPER 1100-3i	1011, 1411	10 - 9999		2 pc.	2043932
SUPER 1300-2	0811	10 - 9999		2 pc.	2043932
SUPER 1300-3	1011, 1411	10 - 9999		2 pc.	2043932
SUPER 1300-3i	1011, 1411	10 - 9999		2 pc.	2043932
SUPER 1600-1	0782, 0982	10 - 9999		2 pc.	2008163
				2 pc.	2008164

# UNDERCARRIAGE CRAWLER DRIVE

TENSIONER UNITS					
Series code	Serial code	Series range	Package includes	Requirement	Part no.
SUPER 1600-2	1182	10 - 9999		2 pc.	2008163
				2 pc.	2008164
SUPER 1600-3	1582	10 - 9999		2 pc.	2008163
				2 pc.	2008164
SUPER 1600-3i	1582	10 - 9999		2 pc.	2008163
				2 pc.	2008164
SUPER 1800-1	0782, 0982	10 - 9999		2 pc.	2008163
				2 pc.	2008164
SUPER 1800-2	1182	10 - 9999		2 pc.	2008163
				2 pc.	2008164
SUPER 1800-3	1482	10 - 9999		2 pc.	2008163
				2 pc.	2008164
SUPER 1800-3i	1482	10 - 9999		2 pc.	2008163
				2 pc.	2008164
SUPER 1900-2	0719	10 - 9999		2 pc.	2040803
			incl. pressure rod	2 pc.	2038732
SUPER 1900-3i	0819	10 - 9999		2 pc.	2040803
			incl. pressure rod	2 pc.	2038732
SUPER 2100-2	0719	10 - 9999		2 pc.	2040803
			incl. pressure rod	2 pc.	2038732
SUPER 2100-2 IP	0719	10 - 9999		2 pc.	2040803
			incl. pressure rod	2 pc.	2038732
SUPER 2100-3i	0819	10 - 9999		2 pc.	2040803
			incl. pressure rod	2 pc.	2038732
SUPER 3000-2	0874	10 - 9999		1 pc.	2119399
				1 pc.	2119311



TENSIONER UNITS					
Series code	Serial code	Series range	Package includes	Requirement	Part no.
SUPER 3000-3	1074	10 - 9999		2 pc.	2623584
				2 pc.	2623579
SUPER 1800-2 SJ	1182	10 - 9999		2 pc.	2008163
				2 pc.	2008164
SUPER 1800-3i SJ	1482	10 - 9999		2 pc.	2008163
				2 pc.	2008164
MT 3000-2	0761	10 - 9999		2 pc.	2040803
			incl. pressure rod	2 pc.	2038732
MT 3000-3	0861	10 - 9999		2 pc.	2040803
			incl. pressure rod	2 pc.	2038732
MT 3000-3i	0861	10 - 9999		2 pc.	2040803
			incl. pressure rod	2 pc.	2038732

Original VÖGELE

# UNDERCARRIAGE WHEEL DRIVE



Wheeled pavers have to satisfy the highest demands in terms of manoeuvrability, smooth running and tractive power. To ensure that they meet these requirements on all sub-bases and in all weather conditions, VÖGELE has teamed up

with renowned suppliers to optimise the tyres for their pavers. This results in extremely smooth running during slab paving, powerful traction and a long service life for tyres and undercarriage.



> Read more online

## WHEELS

Thanks to their special rubber compound, VÖGELE wheels are extremely reliable on a wide variety of sub-bases.



WHEELS				
Series code	Serial code	Part	Requirement	Part no.
SUPER 1103-2	0911	Complete wheel	<b>Requirement   Position   Drive</b> 4 pc.   front   without drive; 2 pc.   front, first front axle   with drive 6x4	2359522
			<b>Requirement   Position   Drive</b> 2 pc.   front, second front axle   with drive 6x4	2359526





WHEELS				
Series code	Serial code	Part	Requirement	Part no.
SUPER 1103-3	1111	Complete wheel	<b>Requirement   Position   Drive</b> 4 pc.   front   without drive; 2 pc.   front, first front axle   with drive 6x4	2359522
			<b>Requirement   Position   Drive</b> 2 pc.   front, second front axle   with drive 6x4	2359526
	1511	Complete wheel	<b>Requirement   Position   Drive</b> 2 pc.   front, second front axle   with drive 6x4	2359526
			<b>Requirement   Position   Drive</b> 4 pc.   front   without drive; 2 pc.   front, first front axle   with drive 6x4	2359522
SUPER 1103-3i	1111	Complete wheel	<b>Requirement   Position   Drive</b> 2 pc.   front, second front axle   with drive 6x4	2359526
			<b>Requirement   Position   Drive</b> 4 pc.   front   without drive; 2 pc.   front, first front axle   with drive 6x4	2359522
	1511	Complete wheel	<b>Requirement   Position   Drive</b> 4 pc.   front   without drive; 2 pc.   front, first front axle   with drive 6x4	2359522
			<b>Requirement   Position   Drive</b> 2 pc.   front, second front axle   with drive 6x4	2359526
SUPER 1303-2	0911	Complete wheel	<b>Requirement   Position   Drive</b> 2 pc.   front, second front axle   with drive 6x4	2359526
			<b>Requirement   Position   Drive</b> 4 pc.   front   without drive; 2 pc.   front, first front axle   with drive 6x4	2359522
SUPER 1303-3	1111	Complete wheel	<b>Requirement   Position   Drive</b> 2 pc.   front, second front axle   with drive 6x4	2359526
			<b>Requirement   Position   Drive</b> 4 pc.   front   without drive; 2 pc.   front, first front axle   with drive 6x4	2359522
	1511	Complete wheel	<b>Requirement   Position   Drive</b> 4 pc.   front   without drive; 2 pc.   front, first front axle   with drive 6x4	2359522
			<b>Requirement   Position   Drive</b> 2 pc.   front, second front axle   with drive 6x4	2359526
SUPER 1303-3i	1111, 1511	Complete wheel	<b>Requirement   Position   Drive</b> 2 pc.   front, second front axle   with drive 6x4	2359526
			<b>Requirement   Position   Drive</b> 4 pc.   front   without drive; 2 pc.   front, first front axle   with drive 6x4	2359522
SUPER 1603-1	0783	Complete wheel	<b>Requirement   Position   Drive</b> 4 pc.   front   without drive; 4 pc.   front   with drive 6x4; 4 pc.   front   with drive 6x6	2359496

# UNDERCARRIAGE WHEEL DRIVE

WHEELS				
Series code	Serial code	Part	Requirement	Part no.
SUPER 1603-2	0883	Complete wheel	<b>Requirement   Position   Drive</b> 4 pc.   front   without drive; 4 pc.   front   with drive 6x4; 4 pc.   front   with drive 6x6	2359496
SUPER 1603-3i	1183	Complete wheel	<b>Requirement   Position   Drive</b> 4 pc.   front   without drive; 4 pc.   front   with drive 6x4; 4 pc.   front   with drive 6x6	2359496
SUPER 1603-3	1183	Complete wheel	<b>Requirement   Position   Drive</b> 4 pc.   front   without drive; 4 pc.   front   with drive 6x4; 4 pc.   front   with drive 6x6	2359496
SUPER 1703-3	1283	Complete wheel	<b>Requirement   Position   Drive</b> 4 pc.   front   with drive 6x4; 4 pc.   front   with drive 6x6	2359496
SUPER 1703-3i	1283	Complete wheel	<b>Requirement   Position   Drive</b> 4 pc.   front   with drive 6x4; 4 pc.   front   with drive 6x6	2359496
SUPER 1803-1	0783	Complete wheel	<b>Requirement   Position   Drive</b> 4 pc.   front   without drive; 4 pc.   front   with drive 6x4; 4 pc.   front   with drive 6x6	2359496
SUPER 1803-2	0883	Complete wheel	<b>Requirement   Position   Drive</b> 4 pc.   front   without drive; 4 pc.   front   with drive 6x4; 4 pc.   front   with drive 6x6	2359496
SUPER 1803-3	1083	Complete wheel	<b>Requirement   Position   Drive</b> 4 pc.   front   without drive; 4 pc.   front   with drive 6x4; 4 pc.   front   with drive 6x6	2359496
SUPER 1803-3i	1083	Complete wheel	<b>Requirement   Position   Drive</b> 4 pc.   front   without drive; 4 pc.   front   with drive 6x4; 4 pc.   front   with drive 6x6	2359496
SUPER 2003-3	0975	Complete wheel	<b>Requirement   Position   Drive</b> 4 pc.   front   without drive; 4 pc.   front   with drive 6x4; 4 pc.   front   with drive 6x6	2359496
SUPER 2003-3i	0975	Complete wheel	<b>Requirement   Position   Drive</b> 4 pc.   front   without drive; 4 pc.   front   with drive 6x4; 4 pc.   front   with drive 6x6	2359496



## TYRES

VÖGELE tread tyres offer superb traction on loose sub-bases.



TYRES			
Series code	Serial code	Requirement	Part no.
SUPER 1103-2	0911	<b>Requirement   Position   Version</b> 2 pc.   rear   Rim	2934823
		<b>Requirement   Position   Version</b> 2 pc.   rear   Rubber tyre	2889901
		<b>Requirement   Position   Version</b> 2 pc.   rear   Complete tyre	2934827
SUPER 1103-3	1111, 1511	<b>Requirement   Position   Version</b> 2 pc.   rear   Rim	2934823
		<b>Requirement   Position   Version</b> 2 pc.   rear   Rubber tyre	2889901
		<b>Requirement   Position   Version</b> 2 pc.   rear   Complete tyre	2934827
SUPER 1103-3i	1111, 1511	<b>Requirement   Position   Version</b> 2 pc.   rear   Rim	2934823
		<b>Requirement   Position   Version</b> 2 pc.   rear   Rubber tyre	2889901
		<b>Requirement   Position   Version</b> 2 pc.   rear   Complete tyre	2934827
SUPER 1303-2	0911	<b>Requirement   Position   Version</b> 2 pc.   rear   Rim	2934823
		<b>Requirement   Position   Version</b> 2 pc.   rear   Rubber tyre	2889901
		<b>Requirement   Position   Version</b> 2 pc.   rear   Complete tyre	2934827
SUPER 1303-3	1111, 1511	<b>Requirement   Position   Version</b> 2 pc.   rear   Rim	2934823
		<b>Requirement   Position   Version</b> 2 pc.   rear   Rubber tyre	2889901
		<b>Requirement   Position   Version</b> 2 pc.   rear   Complete tyre	2934827
SUPER 1303-3i	1111, 1511	<b>Requirement   Position   Version</b> 2 pc.   rear   Rim	2934823
		<b>Requirement   Position   Version</b> 2 pc.   rear   Rubber tyre	2889901
		<b>Requirement   Position   Version</b> 2 pc.   rear   Complete tyre	2934827
SUPER 1603-1	0783	<b>Requirement   Position   Version</b> 2 pc.   rear   Rim	4606162083
		<b>Requirement   Position   Version</b> 2 pc.   rear   Complete tyre	4602302084
		<b>Requirement   Position   Version</b> 2 pc.   rear   Rubber tyre	4602302072

# UNDERCARRIAGE WHEEL DRIVE

TYRES			
Series code	Serial code	Requirement	Part no.
SUPER 1603-2	0883	<b>Requirement   Position   Version</b> 2 pc.   rear   Rim	4606162083
		<b>Requirement   Position   Version</b> 2 pc.   rear   Complete tyre	4602302084
		<b>Requirement   Position   Version</b> 2 pc.   rear   Rubber tyre	4602302072
SUPER 1603-3i	1183	<b>Requirement   Position   Version</b> 2 pc.   rear   Rim	2273314
		<b>Requirement   Position   Version</b> 2 pc.   rear   Complete tyre	2355218
		<b>Requirement   Position   Version</b> 2 pc.   rear   Rubber tyre	2355217
SUPER 1603-3	1183	<b>Requirement   Position   Version</b> 2 pc.   rear   Rim	2273314
		<b>Requirement   Position   Version</b> 2 pc.   rear   Complete tyre	2355218
		<b>Requirement   Position   Version</b> 2 pc.   rear   Rubber tyre	2355217
SUPER 1703-3	1283	<b>Requirement   Position   Version</b> 2 pc.   rear   Rim	2273314
		<b>Requirement   Position   Version</b> 2 pc.   rear   Complete tyre	2500017
		<b>Requirement   Position   Version</b> 2 pc.   rear   Rubber tyre	2098209
SUPER 1703-3i	1283	<b>Requirement   Position   Version</b> 2 pc.   rear   Rim	2273314
		<b>Requirement   Position   Version</b> 2 pc.   rear   Complete tyre	2500017
		<b>Requirement   Position   Version</b> 2 pc.   rear   Rubber tyre	2098209
SUPER 1803-1	0783	<b>Requirement   Position   Version</b> 2 pc.   rear   Rim	4606162083
		<b>Requirement   Position   Version</b> 2 pc.   rear   Complete tyre	4602302084
		<b>Requirement   Position   Version</b> 2 pc.   rear   Rubber tyre	4602302072
SUPER 1803-2	0883	<b>Requirement   Position   Version</b> 2 pc.   rear   Rim	4606162083
		<b>Requirement   Position   Version</b> 2 pc.   rear   Complete tyre	4602302084
		<b>Requirement   Position   Version</b> 2 pc.   rear   Rubber tyre	4602302072
SUPER 1803-3	1083	<b>Requirement   Position   Version</b> 2 pc.   rear   Rim	2273314
		<b>Requirement   Position   Version</b> 2 pc.   rear   Rubber tyre	4602302072
		<b>Requirement   Position   Version</b> 2 pc.   rear   Complete tyre	2247463
SUPER 1803-3i	1083	<b>Requirement   Position   Version</b> 2 pc.   rear   Rim	2273314
		<b>Requirement   Position   Version</b> 2 pc.   rear   Rubber tyre	4602302072
		<b>Requirement   Position   Version</b> 2 pc.   rear   Complete tyre	2247463



TYRES			
Series code	Serial code	Requirement	Part no.
SUPER 2003-3	0975	<b>Requirement   Position   Version</b> 2 pc.   rear   Rim	2340184
		<b>Requirement   Position   Version</b> 2 pc.   rear   Complete tyre	2340458
		<b>Requirement   Position   Version</b> 2 pc.   rear   Rubber tyre	2326084
SUPER 2003-3i	0975	<b>Requirement   Position   Version</b> 2 pc.   rear   Rim	2340184
		<b>Requirement   Position   Version</b> 2 pc.   rear   Complete tyre	2340458
		<b>Requirement   Position   Version</b> 2 pc.   rear   Rubber tyre	2326084

Original VÖGELE

# GRADE AND SLOPE CONTROL SYSTEM



VÖGELE NIVELTRONIC Basic and NIVELTRONIC Plus can be used to precisely adjust the paving thickness over the entire distance by scanning a defined reference thickness, thus ensuring that the required target thickness is achieved exactly - irrespective of the grade of the sub-base. NIVELTRONIC Basic and NIVELTRONIC Plus are

unparalleled grade and slope control systems that lay the foundation for efficient paving true to line and level on any sub-base. Perfect compatibility between the machine and the automatic grade and slope control system guarantee maximum quality.



> Read more online

## PAVER OPERATOR'S CONSOLE

The grade and slope control and screed paver operator's consoles can be used to monitor the actual and nominal grade and slope control values as well as to operate the basic functions of the screed.



PAVER OPERATOR'S CONSOLE				
Series code	Serial code	Part	Version	Part no.
SUPER 700	0790	Slope sensor adapter	Grade and slope control system	2041684
		Control Panel	Grade and slope control system	2024191
			Screed	2014186



PAVER OPERATOR'S CONSOLE				
Series code	Serial code	Part	Version	Part no.
SUPER 700-3	0890	Control Panel	Screed	2304890
			Grade and slope control system	2304891
SUPER 700-3i	0890	Control Panel	Screed	2304890
			Grade and slope control system	2304891
SUPER 800	0790	Slope sensor adapter	Grade and slope control system	2041684
		Control Panel	Grade and slope control system	2024191
			Screed	2014186
SUPER 800-3	0890	Control Panel	Screed	2304890
			Grade and slope control system	2304891
SUPER 800-3i	0890	Control Panel	Screed	2304890
			Grade and slope control system	2304891
SUPER 700	0990	Control Panel	Grade and slope control system	2304891
			Screed	2304890
SUPER 800	0990	Control Panel	Grade and slope control system	2304891
			Screed	2304890
SUPER 1100-2	0811	External operating station		2566683
SUPER 1100-3	1011, 1411	External operating station		2724455
SUPER 1100-3i	1011, 1411	External operating station		2724455
SUPER 1103-2	0911	External operating station		2566683
SUPER 1103-3	1111, 1511	External operating station		2724455
SUPER 1103-3i	1111, 1511	External operating station		2724455
SUPER 1300-2	0811	External operating station		2566683
SUPER 1300-3	1011, 1411	External operating station		2724455
SUPER 1300-3i	1011, 1411	External operating station		2724455
SUPER 1303-2	0911	External operating station		2566683
SUPER 1303-3	1111, 1511	External operating station		2724455
SUPER 1303-3i	1111, 1511	External operating station		2724455

# GRADE AND SLOPE CONTROL SYSTEM

PAVER OPERATOR'S CONSOLE				
Series code	Serial code	Part	Version	Part no.
SUPER 1600-1	0782	External operating station		4603014013
SUPER 1600-2	1182	External operating station		2566683
SUPER 1600-3	1582	External operating station		2724455
SUPER 1600-3i	1582	External operating station		2724455
SUPER 1603-1	0783	External operating station		4603014013
SUPER 1603-2	0883	External operating station		2566683
SUPER 1603-3i	1183	External operating station		2724455
SUPER 1603-3	1183	External operating station		2724455
SUPER 1700-3	1982	Control Panel	Grade and slope control system	2724456
			Screed	2522746
SUPER 1700-3i	1982	Control Panel	Grade and slope control system	2724456
			Screed	2522746
SUPER 1703-3	1283	Control Panel	Grade and slope control system	2724456
			Screed	2522746
SUPER 1703-3i	1283	Control Panel	Grade and slope control system	2724456
			Screed	2522746
SUPER 1800-1	0782	External operating station		4603014013
SUPER 1800-2	1182	External operating station		2566683
SUPER 1800-3	1482	External operating station		2724455
SUPER 1800-3i	1482	External operating station		2724455
SUPER 1803-1	0783	External operating station		4603014013
SUPER 1803-2	0883	External operating station		2566683
SUPER 1803-3	1083	External operating station		2724455
SUPER 1803-3i	1083	External operating station		2724455
SUPER 1900-2	0719	External operating station		2566683
SUPER 1900-3	0819	External operating station		2724455
SUPER 1900-3i	0819	External operating station		2724455





PAVER OPERATOR'S CONSOLE				
Series code	Serial code	Part	Version	Part no.
SUPER 2000-3	1174	Control Panel	Grade and slope control system	2724456
			Screed	2522746
SUPER 2000-3i	1174	Control Panel	Grade and slope control system	2724456
			Screed	2522746
SUPER 2003-3	0975	Control Panel	Grade and slope control system	2724456
			Screed	2522746
SUPER 2003-3i	0975	Control Panel	Screed	2522746
			Grade and slope control system	2724456
SUPER 2100-2	0719	External operating station		2566683
SUPER 2100-2 IP	0719	External operating station		2566683
SUPER 2100-3	0819	External operating station		2724455
SUPER 2100-3i	0819	External operating station		2724455
SUPER 3000-2	0874	External operating station		2566683
SUPER 3000-3	1074	External operating station		2566683
SUPER 1800-2 SJ	1182	External operating station		2566683
SUPER 1800-3 SJ	1482	External operating station		2724455
SUPER 1800-3i SJ	1482	External operating station		2724455

# GRADE AND SLOPE CONTROL SYSTEM

## SENSORS

During grade and slope control, a variety of sensors from VÖGELE ensure that the actual values are accurately scanned. Sonic sensors, the Big MultiPlex Ski, slope sensors and mechanical grade sensors all play an extremely important role in achieving perfect asphalt paving.



SENSORS			
Series code	Serial code	Part	Part no.
SUPER 700	0790	Mechanical level sensor	2472560017
		Slope sensor	2462560026
		Ultrasonic sensor	2197266
SUPER 700-3	0890	Mechanical level sensor	2484805
		Slope sensor	2484825
		Ultrasonic sensor	2431211
SUPER 700-3i	0890	Mechanical level sensor	2484805
		Slope sensor	2484825
		Ultrasonic sensor	2431211
SUPER 800	0790	Mechanical level sensor	2472560017
		Slope sensor	2462560026
		Ultrasonic sensor	2197266
SUPER 800-3	0890	Mechanical level sensor	2484805
		Slope sensor	2484825
		Ultrasonic sensor	2431211
SUPER 800-3i	0890	Mechanical level sensor	2484805
		Slope sensor	2484825
		Ultrasonic sensor	2431211
SUPER 700	0990	Mechanical level sensor	2484805
		Slope sensor	2484825
		Ultrasonic sensor	2431211



SENSORS			
Series code	Serial code	Part	Part no.
SUPER 800	0990	Mechanical level sensor	2484805
		Slope sensor	2484825
		Ultrasonic sensor	2431211
SUPER 1100-2	0811	Mechanical level sensor	2039585
		Slope sensor	2462560026
		Ultrasonic sensor	2197266
SUPER 1100-3	1011, 1411	Mechanical level sensor	2484805
		Slope sensor	2484825
		Ultrasonic sensor	2431211
SUPER 1100-3i	1011, 1411	Mechanical level sensor	2484805
		Slope sensor	2484825
		Ultrasonic sensor	2431211
SUPER 1103-2	0911	Mechanical level sensor	2039585
		Slope sensor	2462560026
		Ultrasonic sensor	2197266
SUPER 1103-3	1111, 1511	Mechanical level sensor	2484805
		Slope sensor	2484825
		Ultrasonic sensor	2431211
SUPER 1103-3i	1111, 1511	Mechanical level sensor	2484805
		Slope sensor	2484825
		Ultrasonic sensor	2431211
SUPER 1300-2	0811	Mechanical level sensor	2039585
		Slope sensor	2462560026
		Ultrasonic sensor	2197266
SUPER 1300-3	1011, 1411	Mechanical level sensor	2484805
		Slope sensor	2484825
		Ultrasonic sensor	2431211

# GRADE AND SLOPE CONTROL SYSTEM

SENSORS			
Series code	Serial code	Part	Part no.
SUPER 1300-3i	1011, 1411	Mechanical level sensor	2484805
		Slope sensor	2484825
		Ultrasonic sensor	2431211
SUPER 1303-2	0911	Mechanical level sensor	2039585
		Slope sensor	2462560026
		Ultrasonic sensor	2197266
SUPER 1303-3	1111, 1511	Mechanical level sensor	2484805
		Slope sensor	2484825
		Ultrasonic sensor	2431211
SUPER 1303-3i	1111, 1511	Mechanical level sensor	2484805
		Slope sensor	2484825
		Ultrasonic sensor	2431211
SUPER 1600-1	0782, 0982	Mechanical level sensor	2472560017
		Slope sensor	2462560026
		Ultrasonic sensor	2197266
SUPER 1600-2	1182	Mechanical level sensor	2039585
		Slope sensor	2462560026
		Ultrasonic sensor	2197266
SUPER 1600-3	1582	Mechanical level sensor	2484805
		Slope sensor	2484825
		Ultrasonic sensor	2431211
SUPER 1600-3i	1582	Mechanical level sensor	2484805
		Slope sensor	2484825
		Ultrasonic sensor	2431211
SUPER 1603-1	0783	Mechanical level sensor	2472560017
		Slope sensor	2462560026
		Ultrasonic sensor	2197266



SENSORS			
Series code	Serial code	Part	Part no.
SUPER 1603-2	0883	Mechanical level sensor	2039585
		Slope sensor	2462560026
		Ultrasonic sensor	2197266
SUPER 1603-3i	1183	Mechanical level sensor	2484805
		Slope sensor	2484825
		Ultrasonic sensor	2431211
SUPER 1603-3	1183	Mechanical level sensor	2484805
		Slope sensor	2484825
		Ultrasonic sensor	2431211
SUPER 1700-3	1982	Mechanical level sensor	2484805
		Slope sensor	2484825
		Ultrasonic sensor	2431211
SUPER 1700-3i	1982	Mechanical level sensor	2484805
		Slope sensor	2484825
		Ultrasonic sensor	2431211
SUPER 1703-3	1283	Mechanical level sensor	2484805
		Slope sensor	2484825
		Ultrasonic sensor	2431211
SUPER 1703-3i	1283	Mechanical level sensor	2484805
		Slope sensor	2484825
		Ultrasonic sensor	2431211
SUPER 1800-1	0782, 0982	Mechanical level sensor	2472560017
		Slope sensor	2462560026
		Ultrasonic sensor	2197266
SUPER 1800-2	1182	Mechanical level sensor	2039585
		Slope sensor	2462560026
		Ultrasonic sensor	2197266

# GRADE AND SLOPE CONTROL SYSTEM

SENSORS			
Series code	Serial code	Part	Part no.
SUPER 1800-3	1482	Mechanical level sensor	2484805
		Slope sensor	2484825
		Ultrasonic sensor	2431211
SUPER 1800-3i	1482	Mechanical level sensor	2484805
		Slope sensor	2484825
		Ultrasonic sensor	2431211
SUPER 1803-1	0783	Mechanical level sensor	2472560017
		Slope sensor	2462560026
		Ultrasonic sensor	2197266
SUPER 1803-2	0883	Mechanical level sensor	2039585
		Slope sensor	2462560026
		Ultrasonic sensor	2197266
SUPER 1803-3	1083	Mechanical level sensor	2484805
		Slope sensor	2484825
		Ultrasonic sensor	2431211
SUPER 1803-3i	1083	Mechanical level sensor	2484805
		Slope sensor	2484825
		Ultrasonic sensor	2431211
SUPER 1900-2	0719	Mechanical level sensor	2039585
		Slope sensor	2462560026
		Ultrasonic sensor	2197266
SUPER 1900-3	0819	Mechanical level sensor	2484805
		Slope sensor	2484825
		Ultrasonic sensor	2431211
SUPER 1900-3i	0819	Mechanical level sensor	2484805
		Slope sensor	2484825
		Ultrasonic sensor	2431211



SENSORS			
Series code	Serial code	Part	Part no.
SUPER 2000-3	1174	Mechanical level sensor	2484805
		Slope sensor	2484825
		Ultrasonic sensor	2431211
SUPER 2000-3i	1174	Mechanical level sensor	2484805
		Slope sensor	2484825
		Ultrasonic sensor	2431211
SUPER 2003-3	0975	Mechanical level sensor	2484805
		Slope sensor	2484825
		Ultrasonic sensor	2431211
SUPER 2003-3i	0975	Mechanical level sensor	2484805
		Slope sensor	2484825
		Ultrasonic sensor	2431211
SUPER 2100-2	0719	Mechanical level sensor	2039585
		Slope sensor	2462560026
		Ultrasonic sensor	2197266
SUPER 2100-2 IP	0719	Mechanical level sensor	2039585
		Slope sensor	2462560026
		Ultrasonic sensor	2197266
SUPER 2100-3	0819	Mechanical level sensor	2484805
		Slope sensor	2484825
		Ultrasonic sensor	2431211
SUPER 2100-3i	0819	Mechanical level sensor	2484805
		Slope sensor	2484825
		Ultrasonic sensor	2431211
SUPER 3000-2	0874	Mechanical level sensor	2039585
		Slope sensor	2484825
		Ultrasonic sensor	2197266

# GRADE AND SLOPE CONTROL SYSTEM

SENSORS			
Series code	Serial code	Part	Part no.
SUPER 3000-3	1074	Mechanical level sensor	2039585
		Slope sensor	2484825
		Ultrasonic sensor	2197266
SUPER 1800-2 SJ	1182	Mechanical level sensor	2039585
		Slope sensor	2462560026
		Ultrasonic sensor	2197266

## BIG MULTIPLEX SKI

In its standard configuration, the Big MultiPlex Ski from VÖGELE works with three multi-cell sonic sensors that transfer their measuring results directly to the Niveltronic Plus automatic levelling system. The system then uses these data to calculate a virtual reference level. The advantage of this is that the measuring results cover an overall length of up to 13 meters.



BIG MULTIPLEX SKI				
Series code	Serial code	Part	Type	Part no.
SUPER 1600-1	0782	Big MultiPlex Ski	with wooden transport box	2285078
			without transport box	2069778
	0982	Big MultiPlex Ski	without transport box	2069778
			with wooden transport box	2285078
SUPER 1600-2	1182	Big MultiPlex Ski	without transport box	2069778
			with wooden transport box	2285078
SUPER 1600-3	1582	Big MultiPlex Ski	with metal transport box	2628381
SUPER 1600-3i	1582	Big MultiPlex Ski	with metal transport box	2628381
SUPER 1603-1	0783	Big MultiPlex Ski	without transport box	2069778
			with wooden transport box	2285078
SUPER 1603-2	0883	Big MultiPlex Ski	without transport box	2069778
			with wooden transport box	2285078





BIG MULTIPLEX SKI				
Series code	Serial code	Part	Type	Part no.
SUPER 1603-3i	1183	Big MultiPlex Ski	with metal transport box	2628381
SUPER 1603-3	1183	Big MultiPlex Ski	with metal transport box	2628381
SUPER 1700-3	1982	Big MultiPlex Ski	with metal transport box	2628381
SUPER 1700-3i	1982	Big MultiPlex Ski	with metal transport box	2628381
SUPER 1703-3	1283	Big MultiPlex Ski	with metal transport box	2628381
SUPER 1703-3i	1283	Big MultiPlex Ski	with metal transport box	2628381
SUPER 1800-1	0782, 0982	Big MultiPlex Ski	with wooden transport box	2285078
			without transport box	2069778
SUPER 1800-2	1182	Big MultiPlex Ski	with wooden transport box	2285078
			without transport box	2069778
SUPER 1800-3	1482	Big MultiPlex Ski	with metal transport box	2628381
SUPER 1800-3i	1482	Big MultiPlex Ski	with metal transport box	2628381
SUPER 1803-1	0783	Big MultiPlex Ski	without transport box	2069778
			with wooden transport box	2285078
SUPER 1803-2	0883	Big MultiPlex Ski	without transport box	2069778
			with wooden transport box	2285078
SUPER 1803-3	1083	Big MultiPlex Ski	with metal transport box	2628381
SUPER 1803-3i	1083	Big MultiPlex Ski	with metal transport box	2628381
SUPER 1900-2	0719	Big MultiPlex Ski	without transport box	2069778
			with wooden transport box	2285078
SUPER 1900-3	0819	Big MultiPlex Ski	with metal transport box	2628381
SUPER 1900-3i	0819	Big MultiPlex Ski	with metal transport box	2628381
SUPER 2000-3	1174	Big MultiPlex Ski	with metal transport box	2628381
SUPER 2000-3i	1174	Big MultiPlex Ski	with metal transport box	2628381
SUPER 2003-3	0975	Big MultiPlex Ski	with metal transport box	2628381
SUPER 2003-3i	0975	Big MultiPlex Ski	with metal transport box	2628381
SUPER 2100-2	0719	Big MultiPlex Ski	without transport box	2069778

# GRADE AND SLOPE CONTROL SYSTEM

BIG MULTIPLEX SKI				
Series code	Serial code	Part	Type	Part no.
SUPER 2100-2	0719	Big MultiPlex Ski	with wooden transport box	2285078
SUPER 2100-2 IP	0719	Big MultiPlex Ski	with wooden transport box	2285078
			without transport box	2069778
SUPER 2100-3	0819	Big MultiPlex Ski	with metal transport box	2628381
SUPER 2100-3i	0819	Big MultiPlex Ski	with metal transport box	2628381
SUPER 3000-2	0874	Big MultiPlex Ski	without transport box	2069778
			with wooden transport box	2285078
SUPER 3000-3	1074	Big MultiPlex Ski	with metal transport box	2628381
SUPER 1800-2 SJ	1182	Big MultiPlex Ski	with wooden transport box	2285078
			without transport box	2069778

## LEVELING ACCESSORIES

The variable mechanical height sensor from VÖGELE can be utilized in a variety of combinations. It can be equipped with skis with lengths of 30 cm, 1 m, or 2 m for referencing from ground, or a bow can be fitted for referencing with a tensioned wire.



LEVELING ACCESSORIES					
Series code	Serial code	Part	Size	Position	Part no.
SUPER 700	0790	Connecting cable	2.5 m	Sensor	2460770015
		Bow			2452140009
		Ski	1 m		2452260015
			2 m		2452260017
			0.35 m		2452260014
SUPER 700-3	0890	Connecting cable	1 m	Sensor	2321132
				Control Panel	2385030
		Bow			2355095



LEVELING ACCESSORIES					
Series code	Serial code	Part	Size	Position	Part no.
SUPER 700-3	0890	Ski	2 m		2374570
			1 m		2355133
			0.35 m		2373027
SUPER 700-3i	0890	Connecting cable	1 m	Sensor	2321132
				Control Panel	2385030
		Bow			2355095
		Ski	2 m		2374570
			0.35 m		2373027
			1 m		2355133
SUPER 800	0790	Connecting cable	2.5 m	Sensor	2460770015
		Bow			2452140009
		Ski	2 m		2452260017
			0.35 m		2452260014
			1 m		2452260015
		SUPER 800-3	0890	Connecting cable	1 m
	Control Panel				2385030
Bow					2355095
Ski	2 m				2374570
	0.35 m				2373027
	1 m				2355133
SUPER 800-3i	0890	Connecting cable	1 m	Sensor	2321132
				Control Panel	2385030
		Bow			2355095
		Ski	1 m		2355133
			0.35 m		2373027
			2 m		2374570
SUPER 700	0990	Connecting cable	1 m	Sensor	2321132



# GRADE AND SLOPE CONTROL SYSTEM

LEVELING ACCESSORIES					
Series code	Serial code	Part	Size	Position	Part no.
SUPER 700	0990	Connecting cable		Control Panel	2385030
		Bow			2355095
		Ski	2 m		2374570
			1 m		2355133
			0.35 m		2373027
SUPER 800	0990	Connecting cable	1 m	Sensor	2321132
				Control Panel	2385030
		Bow			2355095
		Ski	0.35 m		2373027
			2 m		2374570
			1 m		2355133
SUPER 1100-2	0811	Connecting cable	1 m	Sensor	2460770014
				External operating station	2032288
			2.5 m	Sensor	2460770015
		Bow			2042554
		Ski	1 m		2042514
			0.35 m		2042513
			2 m		2042515
SUPER 1100-3	1011	Connecting cable		External operating station	2032288
			1 m	Sensor	2321132
		Bow			2355095
		Ski	1 m		2355133
			0.35 m		2373027
	2 m			2374570	
	1411	Connecting cable	1 m	Sensor	2321132
				External operating station	2032288
		Bow			2355095



LEVELING ACCESSORIES					
Series code	Serial code	Part	Size	Position	Part no.
SUPER 1100-3	1411	Ski	2 m		2374570
			1 m		2355133
			0.35 m		2373027
SUPER 1100-3i	1011	Connecting cable	1 m	Sensor	2321132
				External operating station	2032288
		Bow			2355095
		Ski	1 m		2355133
			2 m		2374570
			0.35 m		2373027
	1411	Connecting cable	1 m	Sensor	2321132
				External operating station	2032288
		Bow			2355095
		Ski	2 m		2374570
			0.35 m		2373027
			1 m		2355133
SUPER 1103-2	0911	Connecting cable	2.5 m	Sensor	2460770015
			1 m	Sensor	2460770014
				External operating station	2032288
		Bow			2042554
		Ski	1 m		2042514
			0.35 m		2042513
			2 m		2042515
		SUPER 1103-3	1111, 1511	Connecting cable	1 m
	External operating station				2032288
Bow					2355095
Ski	2 m				2374570
	0.35 m				2373027



# GRADE AND SLOPE CONTROL SYSTEM

LEVELING ACCESSORIES					
Series code	Serial code	Part	Size	Position	Part no.
SUPER 1103-3	1111, 1511	Ski	1 m		2355133
SUPER 1103-3i	1111, 1511	Connecting cable	1 m	Sensor	2321132
				External operating station	2032288
		Bow			2355095
		Ski	2 m		2374570
			0.35 m		2373027
			1 m		2355133
SUPER 1300-2	0811	Connecting cable	2.5 m	Sensor	2460770015
			1 m	Sensor	2460770014
				External operating station	2032288
		Bow			2042554
		Ski	1 m		2042514
			0.35 m		2042513
			2 m		2042515
		SUPER 1300-3	1011	Connecting cable	
1 m	Sensor				2321132
Bow					2355095
Ski	1 m				2355133
	0.35 m				2373027
	2 m				2374570
1411	Connecting cable		1 m	Sensor	2321132
				External operating station	2032288
	Bow				2355095
	Ski		2 m		2374570
			0.35 m		2373027
			1 m		2355133
SUPER 1300-3i	1011	Connecting cable	1 m	Sensor	2321132



LEVELING ACCESSORIES					
Series code	Serial code	Part	Size	Position	Part no.
SUPER 1300-3i	1011	Connecting cable		External operating station	2032288
		Bow			2355095
		Ski	2 m		2374570
			0.35 m		2373027
			1 m		2355133
	1411	Connecting cable	1 m	Sensor	2321132
				External operating station	2032288
		Bow			2355095
		Ski	0.35 m		2373027
			1 m		2355133
			2 m		2374570
	SUPER 1303-2	0911	Connecting cable	2.5 m	Sensor
1 m				Sensor	2460770014
				External operating station	2032288
Bow				2042554	
Ski		1 m		2042514	
		0.35 m		2042513	
		2 m		2042515	
SUPER 1303-3	1111	Connecting cable	1 m	Sensor	2321132
				External operating station	2032288
		Bow			2355095
		Ski	2 m		2374570
			0.35 m		2373027
	1 m			2355133	
	1511	Connecting cable		External operating station	2032288
			1 m	Sensor	2321132
		Bow			2355095

# GRADE AND SLOPE CONTROL SYSTEM

LEVELING ACCESSORIES					
Series code	Serial code	Part	Size	Position	Part no.
SUPER 1303-3	1511	Ski	0.35 m		2373027
			2 m		2374570
			1 m		2355133
SUPER 1303-3i	1111, 1511	Connecting cable		External operating station	2032288
			1 m	Sensor	2321132
		Bow			2355095
		Ski	1 m		2355133
			0.35 m		2373027
			2 m		2374570
SUPER 1600-1	0782	Connecting cable		External operating station	2010671
			2.5 m	Sensor	2460770015
		Bow			2452140009
		Ski	2 m		2452260017
			1 m		2452260015
			0.35 m		2452260014
	0982	Connecting cable	2.5 m	Sensor	2460770015
			Bow		2452140009
		Ski	2 m		2452260017
			1 m		2452260015
			0.35 m		2452260014
		SUPER 1600-2	1182	Connecting cable	1 m
	External operating station				2032288
2.5 m	Sensor				2460770015
Bow					2042554
Ski	1 m				2042514
	0.35 m				2042513
	2 m				2042515





LEVELING ACCESSORIES					
Series code	Serial code	Part	Size	Position	Part no.
SUPER 1600-3	1582	Connecting cable		External operating station	2032288
			1 m	Sensor	2321132
		Bow			2355095
		Ski	1 m		2355133
			0.35 m		2373027
			2 m		2374570
SUPER 1600-3i	1582	Connecting cable		External operating station	2032288
			1 m	Sensor	2321132
		Bow			2355095
		Ski	1 m		2355133
			0.35 m		2373027
			2 m		2374570
SUPER 1603-1	0783	Connecting cable		External operating station	2010671
			2.5 m	Sensor	2460770015
		Bow			2452140009
		Ski	2 m		2452260017
			1 m		2452260015
			0.35 m		2452260014
SUPER 1603-2	0883	Connecting cable	1 m	Sensor	2460770014
				External operating station	2032288
			2.5 m	Sensor	2460770015
		Bow			2042554
		Ski	1 m		2042514
			0.35 m		2042513
2 m			2042515		
SUPER 1603-3i	1183	Connecting cable		External operating station	2032288
			1 m	Sensor	2321132

# GRADE AND SLOPE CONTROL SYSTEM

LEVELING ACCESSORIES					
Series code	Serial code	Part	Size	Position	Part no.
SUPER 1603-3i	1183	Bow			2355095
		Ski	1 m		2355133
			0.35 m		2373027
			2 m		2374570
SUPER 1603-3	1183	Connecting cable		External operating station	2032288
			1 m	Sensor	2321132
		Bow			2355095
		Ski	1 m		2355133
			0.35 m		2373027
			2 m		2374570
SUPER 1700-3	1982	Connecting cable		Control Panel	2032288
				Control Panel	2510247
			1 m	Sensor	2321132
		Bow			2355095
		Ski	1 m		2355133
			0.35 m		2373027
			2 m		2374570
SUPER 1700-3i	1982	Connecting cable		Control Panel	2510247
				Control Panel	2032288
			1 m	Sensor	2321132
		Bow			2355095
		Ski	1 m		2355133
			0.35 m		2373027
			2 m		2374570
SUPER 1703-3	1283	Connecting cable		Control Panel	2032288
				Control Panel	2510247
			1 m	Sensor	2321132



LEVELING ACCESSORIES					
Series code	Serial code	Part	Size	Position	Part no.
SUPER 1703-3	1283	Bow			2355095
		Ski	1 m		2355133
			0.35 m		2373027
			2 m		2374570
SUPER 1703-3i	1283	Connecting cable		Control Panel	2510247
				Control Panel	2032288
			1 m	Sensor	2321132
		Bow		2355095	
		Ski	1 m		2355133
			0.35 m		2373027
2 m			2374570		
SUPER 1800-1	0782	Connecting cable		External operating station	2010671
			2.5 m	Sensor	2460770015
		Bow			2452140009
		Ski	0.35 m		2452260014
			1 m		2452260015
	2 m			2452260017	
	0982	Connecting cable	2.5 m	Sensor	2460770015
		Bow			2452140009
		Ski	2 m		2452260017
			0.35 m		2452260014
1 m				2452260015	
SUPER 1800-2	1182	Connecting cable	1 m	Sensor	2460770014
				External operating station	2032288
			2.5 m	Sensor	2460770015
		Bow			2042554
		Ski	1 m		2042514

# GRADE AND SLOPE CONTROL SYSTEM

LEVELING ACCESSORIES					
Series code	Serial code	Part	Size	Position	Part no.
SUPER 1800-2	1182	Ski	0.35 m		2042513
			2 m		2042515
SUPER 1800-3	1482	Connecting cable		External operating station	2032288
			1 m	Sensor	2321132
		Bow			2355095
		Ski	1 m		2355133
			0.35 m		2373027
			2 m		2374570
SUPER 1800-3i	1482	Connecting cable		External operating station	2032288
			1 m	Sensor	2321132
		Bow			2355095
		Ski	1 m		2355133
			0.35 m		2373027
			2 m		2374570
SUPER 1803-1	0783	Connecting cable		External operating station	2010671
			2.5 m	Sensor	2460770015
		Bow			2452140009
		Ski	2 m		2452260017
			1 m		2452260015
			0.35 m		2452260014
SUPER 1803-2	0883	Connecting cable	1 m	Sensor	2460770014
				External operating station	2032288
			2.5 m	Sensor	2460770015
		Bow			2042554
		Ski	1 m		2042514
			0.35 m		2042513
2 m			2042515		



LEVELING ACCESSORIES					
Series code	Serial code	Part	Size	Position	Part no.
SUPER 1803-3	1083	Connecting cable		External operating station	2032288
			1 m	Sensor	2321132
		Bow			2355095
		Ski	1 m		2355133
			0.35 m		2373027
			2 m		2374570
SUPER 1803-3i	1083	Connecting cable		External operating station	2032288
			1 m	Sensor	2321132
		Bow			2355095
		Ski	1 m		2355133
			0.35 m		2373027
			2 m		2374570
SUPER 1900-2	0719	Connecting cable	1 m	Sensor	2460770014
				External operating station	2032288
			2.5 m	Sensor	2460770015
		Bow			2042554
		Ski	1 m		2042514
			0.35 m		2042513
2 m			2042515		
SUPER 1900-3	0819	Connecting cable		External operating station	2032288
			1 m	Sensor	2321132
		Bow			2355095
		Ski	0.35 m		2373027
			1 m		2355133
			2 m		2374570
SUPER 1900-3i	0819	Connecting cable		External operating station	2032288
			1 m	Sensor	2321132

# GRADE AND SLOPE CONTROL SYSTEM

LEVELING ACCESSORIES					
Series code	Serial code	Part	Size	Position	Part no.
SUPER 1900-3i	0819	Bow			2355095
		Ski	2 m		2374570
			1 m		2355133
			0.35 m		2373027
SUPER 2000-3	1174	Connecting cable		Control Panel	2032288
			1 m	Sensor	2321132
				Control Panel	2510247
		Bow			2355095
		Ski	2 m		2374570
			1 m		2355133
			0.35 m		2373027
SUPER 2000-3i	1174	Connecting cable		Control Panel	2510247
			1 m	Sensor	2321132
				Control Panel	2032288
		Bow			2355095
		Ski	2 m		2374570
			1 m		2355133
			0.35 m		2373027
SUPER 2003-3	0975	Connecting cable	1 m	Sensor	2321132
				Control Panel	2510247
				Control Panel	2032288
		Bow			2355095
		Ski	2 m		2374570
			0.35 m		2373027
			1 m		2355133
SUPER 2003-3i	0975	Connecting cable		Control Panel	2510247
			1 m	Sensor	2321132



LEVELING ACCESSORIES					
Series code	Serial code	Part	Size	Position	Part no.
SUPER 2003-3i	0975	Connecting cable		Control Panel	2032288
		Bow			2355095
		Ski	2 m		2374570
			1 m		2355133
			0.35 m		2373027
SUPER 2100-2	0719	Connecting cable	1 m	Sensor	2460770014
				External operating station	2032288
			2.5 m	Sensor	2460770015
		Bow			2042554
		Ski	1 m		2042514
			0.35 m		2042513
			2 m		2042515
		SUPER 2100-2 IP	0719	Connecting cable	2.5 m
1 m	Sensor				2460770014
	External operating station				2032288
Bow					2042554
Ski	1 m				2042514
	0.35 m				2042513
	2 m				2042515
SUPER 2100-3	0819			Connecting cable	1 m
			External operating station		2032288
		Bow			2355095
		Ski	2 m		2374570
			0.35 m		2373027
			1 m		2355133
SUPER 2100-3i	0819	Connecting cable		External operating station	2032288
			1 m	Sensor	2321132

# GRADE AND SLOPE CONTROL SYSTEM

LEVELING ACCESSORIES					
Series code	Serial code	Part	Size	Position	Part no.
SUPER 2100-3i	0819	Bow			2355095
		Ski	1 m		2355133
			0.35 m		2373027
			2 m		2374570
SUPER 3000-2	0874	Connecting cable	2.5 m	Sensor	2460770015
			1 m	Sensor	2460770014
				External operating station	2032288
		Bow			2042554
		Ski	1 m		2042514
			0.35 m		2042513
			2 m		2042515
		SUPER 3000-3	1074	Connecting cable	
1 m	Sensor				2321132
Bow					2355095
Ski	1 m				2355133
	2 m				2374570
	0.35 m				2373027
SUPER 1800-2 SJ	1182	Connecting cable	1 m	Sensor	2460770014
				External operating station	2032288
			2.5 m	Sensor	2460770015
		Bow			2042554
		Ski	1 m		2042514
			0.35 m		2042513
			2 m		2042515
SUPER 1800-3 SJ	1482	Connecting cable		External operating station	2032288
SUPER 1800-3i SJ	1482	Connecting cable		External operating station	2032288





## STRINGLINE TENSIONING SYSTEM

The practical stringline tensioning system from VÖGELE allows you to quickly and easily set up your stringline for accurate grade and slope control.



STRINGLINE TENSIONING SYSTEM					
Part	Version	Description	Package includes	Package content	Part no.
Stringline rod		Stringline rod elements for 50 - 250 mm distance from stakes. Recommended every 5 metres.			2060728
Stake		Iron stakes for stringlines. Recommended every 5 metres.			2060896
Polyester stringline		Polyester stringline on 500 metre spool, diameter: 3 mm, colour: red.			2060897
Stringline drum		Mobile drum to store and easily unwind the polyester stringline.			2060899
Stringline tensioning system	Base set for 500 metres			Stakes, polyester stringline, rods, mobile stringline drum, tension spring balance, pulley block with accessories in the appropriate quantity	2541050
	500-metre extension set			Stakes, polyester stringline, rods, tension spring balance in the appropriate quantity	2541051
Tension spring balance		To adjust the tension in the polyester stringline. Recommended every 100 metres.			4606032026
Pulley block		Pulley for tensioning the polyester stringline.	with accessories		4606352002
Tension spring balance kit				Tension spring balance, pulley block with accessories in corresponding quantity	4624250008



Original VÖGELE  
**MAINTENANCE PARTS**



Filling or lubricating your machine with a lubricant specially tailored to the requirements has a significant impact on the service life of the active parts in combustion engines, hydraulic components, gearboxes and bearings. WIRTGEN GROUP lubricants are optimised for your machine

and therefore meet these special requirements perfectly. Combined with WIRTGEN GROUP filter and maintenance packages, our lubricants are the best choice to maintain the performance of your machine and permanently reduce maintenance costs.



> Read more online

**FILTER PACKAGES**

WIRTGEN GROUP filter systems, which are designed to be perfectly compatible with our lubricants and operating agents, ensure that the systems remain clean and prevent damage to components, thus maximising the service life of your machines. The filter packages contain the filters required based on the machine type's respective replacement interval. In order to ensure that the machine performs at its best, we recommend that you adhere to the specified replacement intervals.



FILTER PACKAGES							
Series code	Serial code	Series range	Application	Exhaust emission standard	First service	Replacement interval	Part no.
SUPER 700	0790	10 - 9999				500 h	2033689
						50 h	2283867
						1000 h	2033691

Due to possible technical changes, always refer to the information in the instruction manual.



FILTER PACKAGES							
Series code	Serial code	Series range	Application	Exhaust emission standard	First service	Replacement interval	Part no.
SUPER 700-3	0890	10 - 9999			50 h		2373954
						1000 h	2373956
						500 h	2373955
SUPER 700-3i	0890	10 - 9999			50 h		2373954
						1000 h	2373956
						500 h	2373955
SUPER 800	0790	10 - 9999				500 h	2033689
					50 h		2283867
						1000 h	2033691
SUPER 800-3	0890	10 - 9999			50 h		2373954
						1000 h	2373956
						500 h	2373955
SUPER 800-3i	0890	10 - 9999				1000 h	2373956
						500 h	2373955
					50 h		2373954
SUPER 700	0990	10 - 9999				1000 h	2373956
						500 h	2373955
					50 h		2373954
SUPER 800	0990	10 - 9999				1000 h	2373956
					50 h		2373954
						500 h	2373955
SUPER 1100-2	0811	10 - 9999				500 h	2069167
					50 h		2283867
						1000 h	2069169
SUPER 1100-3	1411	10 - 9999		EU Stage 4/ US EPA Tier 4f	50 h		2283867
				EU Stage 4/ US EPA Tier 4f		1000 h	2566581



# MAINTENANCE PARTS

FILTER PACKAGES							
Series code	Serial code	Series range	Application	Exhaust emission standard	First service	Replacement interval	Part no.
SUPER 1100-3	1411	10 - 9999		EU Stage 4/ US EPA Tier 4f		500 h	2566577
SUPER 1100-3i	1011	10 - 9999				500 h	2248324
					50 h		2283867
						1000 h	2248325
	1411	10 - 9999		EU Stage 4/ US EPA Tier 4f	50 h		2283867
				EU Stage 4/ US EPA Tier 4f		1000 h	2566581
				EU Stage 4/ US EPA Tier 4f		500 h	2566577
SUPER 1103-2	0911	10 - 9999				500 h	2069167
					50 h		2283867
						1000 h	2069169
SUPER 1103-3	1511	10 - 9999			50 h		2283867
						1000 h	2566581
						500 h	2566577
SUPER 1103-3i	1111	10 - 9999				500 h	2248324
					50 h		2283867
						1000 h	2248325
	1511	10 - 9999		EU Stage 4/ US EPA Tier 4f	50 h		2283867
				EU Stage 4/ US EPA Tier 4f		1000 h	2566581
				EU Stage 4/ US EPA Tier 4f		500 h	2566577
SUPER 1300-2	0811	10 - 9999				500 h	2069167
					50 h		2283867
						1000 h	2069169
SUPER 1300-3	1411	10 - 9999		EU Stage 4/ US EPA Tier 4f	50 h		2283867
				EU Stage 4/ US EPA Tier 4f		1000 h	2566581
				EU Stage 4/ US EPA Tier 4f		500 h	2566577
SUPER 1300-3i	1011	10 - 9999				500 h	2248324



FILTER PACKAGES							
Series code	Serial code	Series range	Application	Exhaust emission standard	First service	Replacement interval	Part no.
SUPER 1300-3i	1011	10 - 9999			50 h		2283867
						1000 h	2248325
	1411	10 - 9999		EU Stage 4/ US EPA Tier 4f	50 h		2283867
				EU Stage 4/ US EPA Tier 4f		1000 h	2566581
			EU Stage 4/ US EPA Tier 4f		500 h	2566577	
SUPER 1303-2	0911	10 - 9999				500 h	2069167
					50 h		2283867
						1000 h	2069169
SUPER 1303-3	1511	10 - 9999			50 h		2283867
						1000 h	2566581
						500 h	2566577
SUPER 1303-3i	1111	10 - 9999				500 h	2248324
					50 h		2283867
						1000 h	2248325
	1511	10 - 9999		EU Stage 4/ US EPA Tier 4f	50 h		2283867
				EU Stage 4/ US EPA Tier 4f		1000 h	2566581
				EU Stage 4/ US EPA Tier 4f		500 h	2566577
SUPER 1600-1	0782	10 - 333				500 h	2011361
						1000 h	2011362
		334 - 9999				500 h	2037317
						1000 h	2037318
SUPER 1600-2	1182	10 - 9999			50 h		2052665
						1000 h	2052667
						500 h	2052666
SUPER 1600-3	1582	10 - 9999			50 h		2318759
						1000 h	2343135



# MAINTENANCE PARTS

FILTER PACKAGES							
Series code	Serial code	Series range	Application	Exhaust emission standard	First service	Replacement interval	Part no.
SUPER 1600-3	1582	10 - 9999				500 h	2343133
SUPER 1600-3i	1582	10 - 333			50 h		2318759
		10 - 9999				500 h	2343128
						1000 h	2343129
		334 - 9999			50 h		2318759
				US EPA Tier 4f		500 h	2484564
				US EPA Tier 4f		1000 h	2539013
SUPER 1603-1	0783	10 - 241				500 h	2011361
						1000 h	2011362
		242 - 9999				500 h	2037317
						1000 h	2037318
SUPER 1603-2	0883	10 - 9999			50 h		2052665
						1000 h	2052667
						500 h	2052666
SUPER 1603-3i	1183	10 - 333			50 h		2318759
		10 - 9999				500 h	2343128
						1000 h	2343129
		202 - 9999				500 h	2484564
						1000 h	2539013
334 - 9999			50 h		2318759		
SUPER 1603-3	1183	10 - 9999			50 h		2318759
						1000 h	2343135
						500 h	2343133
SUPER 1700-3	1982	10 - 9999			50 h		2318759
						1000 h	2343135
						500 h	2343133



FILTER PACKAGES							
Series code	Serial code	Series range	Application	Exhaust emission standard	First service	Replacement interval	Part no.
SUPER 1700-3i	1982	10 - 9999		EU Stage 4/ US EPA Tier 4f	50 h		2318759
				EU Stage 4/ US EPA Tier 4f		1000 h	2539013
				EU Stage 4/ US EPA Tier 4f		500 h	2484564
SUPER 1703-3	1283	10 - 9999			50 h		2318759
						500 h	2343133
				EU Stage 4/ US EPA Tier 4f		1000 h	2539013
				EU Stage 4/ US EPA Tier 4f		500 h	2484564
						1000 h	2343135
SUPER 1703-3i	1283	10 - 9999			50 h		2318759
						500 h	2343133
				EU Stage 4/ US EPA Tier 4f		1000 h	2539013
				EU Stage 4/ US EPA Tier 4f		500 h	2484564
						1000 h	2343135
SUPER 1800-1	0782, 0982	10 - 9999				1000 h	2012540
						500 h	2012539
SUPER 1800-2	1182	10 - 9999			50 h		2052665
						1000 h	2052669
						500 h	2052668
SUPER 1800-3	1482	10 - 150				500 h	2241430
						1000 h	2318761
					50 h		2318759
		151 - 9999				500 h	2304176
						1000 h	2304180
					50 h		2318759
SUPER 1800-3i	1482	10 - 1428			50 h		2318759
		10 - 9999				500 h	2320238

# MAINTENANCE PARTS

FILTER PACKAGES							
Series code	Serial code	Series range	Application	Exhaust emission standard	First service	Replacement interval	Part no.
SUPER 1800-3i	1482	10 - 9999				1000 h	2320241
		1429 - 9999			50 h		2318759
			US EPA Tier 4f		1000 h	2539564	
		3077 - 9999	US EPA Tier 4f		500 h	2442195	
			EU Stage 5		500 h	2727445	
		EU Stage 5		1000 h	2796440		
SUPER 1803-1	0783	10 - 9999				1000 h	2012540
						500 h	2012539
SUPER 1803-2	0883	10 - 9999			50 h		2052665
						1000 h	2052669
						500 h	2052668
SUPER 1803-3	1083	10 - 54				500 h	2241430
					50 h		2318759
						1000 h	2318761
		55 - 9999				500 h	2304176
						1000 h	2304180
					50 h		2318759
SUPER 1803-3i	1083	10 - 569			50 h		2318759
		10 - 9999				1000 h	2320241
						500 h	2320238
		569 - 9999	US EPA Tier 4f		500 h	2442195	
			US EPA Tier 4f		1000 h	2539564	
		570 - 9999			50 h		2318759
		1156 - 9999	EU Stage 5		500 h	2727445	
			EU Stage 5		1000 h	2796440	
SUPER 1900-2	0719	10 - 1304			50 h		2041586





FILTER PACKAGES							
Series code	Serial code	Series range	Application	Exhaust emission standard	First service	Replacement interval	Part no.
SUPER 1900-2	0719	10 - 1304				500 h	2041587
						1000 h	2041588
		1305 - 9999			50 h		2041586
						500 h	2188956
						1000 h	2188959
SUPER 1900-3	0819	10 - 342				500 h	2241430
						1000 h	2318761
		10 - 979			50 h		2041586
		343 - 9999				500 h	2304176
						1000 h	2304180
		980 - 9999			50 h		2318759
SUPER 1900-3i	0819	10 - 50				500 h	2241427
						1000 h	2241431
					50 h		2318759
		51 - 688			50 h		2318759
		51 - 1000				1000 h	2320241
		51 - 9999				500 h	2320238
		689 - 951			50 h		2318759
						1000 h	2442196
				US EPA Tier 4f		500 h	2442195
		952 - 9999			50 h		2318759
				US EPA Tier 4f		500 h	2442195
						1000 h	2505589
		1884 - 9999		EU Stage 5		1000 h	2505589
				EU Stage 5		500 h	2727445
SUPER 2000-3	1174	10 - 81			50 h		2041586



# MAINTENANCE PARTS

FILTER PACKAGES							
Series code	Serial code	Series range	Application	Exhaust emission standard	First service	Replacement interval	Part no.
SUPER 2000-3	1174	10 - 9999				500 h	2304176
						1000 h	2304180
		82 - 9999			50 h		2318759
SUPER 2000-3i	1174	10 - 70			50 h		2318759
						500 h	2442195
			US EPA Tier 4f		1000 h	2442196	
		71 - 9999		US EPA Tier 4f	50 h		2318759
						500 h	2442195
						1000 h	2505589
SUPER 2003-3	0975	10 - 43			50 h		2041586
		10 - 9999				500 h	2304176
						1000 h	2304180
		44 - 9999			50 h		2318759
SUPER 2003-3i	0975	10 - 36			50 h		2318759
			US EPA Tier 4f		1000 h	2442196	
			US EPA Tier 4f		500 h	2442195	
		37 - 9999			50 h		2318759
			US EPA Tier 4f		500 h	2442195	
			US EPA Tier 4f		1000 h	2505589	
SUPER 2100-2	0719	10 - 1304			50 h		2041586
						1000 h	2041588
						500 h	2041587
		1305 - 9999			50 h		2041586
						1000 h	2188959
						500 h	2188956
SUPER 2100-2 IP	0719	10 - 1304			50 h		2041586



FILTER PACKAGES								
Series code	Serial code	Series range	Application	Exhaust emission standard	First service	Replacement interval	Part no.	
SUPER 2100-2 IP	0719	10 - 1304				500 h	2041587	
						1000 h	2041588	
		1305 - 9999			50 h		2041586	
						500 h	2188956	
						1000 h	2188959	
SUPER 2100-3	0819	10 - 342				500 h	2241430	
						1000 h	2318761	
		10 - 979			50 h		2041586	
						500 h	2304176	
		343 - 9999				1000 h	2304180	
					50 h		2318759	
SUPER 2100-3i	0819	10 - 182				1000 h	2296144	
						500 h	2296142	
					50 h		2318759	
		183 - 688			50 h		2318759	
						500 h	2320239	
		183 - 9999				1000 h	2320242	
					US EPA Tier 4f		1000 h	2442196
		689 - 951				50 h		2318759
					US EPA Tier 4f(+)		500 h	2442195
					US EPA Tier 4f(+)		500 h	2442195
		952 - 9999			US EPA Tier 4f(+)		1000 h	2505589
					US EPA Tier 4f(+)		1000 h	2727446
						50 h		2318759
			EU Stage 5		500 h	2727445		
SUPER 3000-2	0874	10 - 14			50 h		2136257	



# MAINTENANCE PARTS

FILTER PACKAGES							
Series code	Serial code	Series range	Application	Exhaust emission standard	First service	Replacement interval	Part no.
SUPER 3000-2	0874	10 - 14				500 h	2136259
						1000 h	2136261
		15 - 9999			50 h		2136257
						500 h	2287476
						1000 h	2287481
SUPER 3000-3	1074	10 - 21		Tier 2		1000 h	2728025
				Tier 2; EU Stage 5		500 h	2728024
				EU Stage 5		1000 h	2728027
		10 - 9999		Tier 2; EU Stage 5	50 h		2318759
		21 - 9999		Tier 2		1000 h	2906973
				EU Stage 5		1000 h	2906975
				Tier 2; EU Stage 5		500 h	2906972
SUPER 1800-2 SJ	1182	10 - 9999			50 h		2052665
						1000 h	2052669
						500 h	2052668
SUPER 1800-3i SJ	1482	10 - 1428			50 h		2318759
		10 - 9999	Spray module			500 h	2601321
			Spray module			1000 h	2601324
				EU Stage 5		1000 h	2796440
						500 h	2320238
						1000 h	2320241
		1429 - 9999				1000 h	2539564
				US EPA Tier 4f		500 h	2442195
					50 h		2318759
		3077 - 9999		EU Stage 5		500 h	2727445
MT 3000-2	0761	10 - 9999			50 h		2184906



FILTER PACKAGES							
Series code	Serial code	Series range	Application	Exhaust emission standard	First service	Replacement interval	Part no.
MT 3000-2	0761	10 - 9999				1000 h	2184909
						500 h	2184908
MT 3000-2i	0761	187 - 9999			50 h		2184906
						1000 h	2487995
						500 h	2487993
MT 3000-3	0861	10 - 9999		Tier 3		500 h	2647316
				Tier 3	50 h		2647314
				Tier 3		1000 h	2647318
MT 3000-3i	0861	10 - 9999		EU Stage 5	50 h		2647314
				EU Stage 5		1000 h	2647318
				EU Stage 5		500 h	2647316
MT 3000-3 Offset	0861	10 - 9999		Tier 3		1000 h	2647318
				Tier 3		500 h	2647316
				Tier 3	50 h		2647314
MT 3000-3i Offset	0861	10 - 9999		EU Stage 5	50 h		2647314
				EU Stage 5		500 h	2647317
				EU Stage 5		1000 h	2647320

# Original VÖGELE MAINTENANCE PARTS

## LUBRICANTS

Filling or lubricating your machine with a lubricant which is specifically matched to your application is critical for the service life of the operational parts in combustion engines, hydraulic components, gear units and bearings.

WIRTGEN GROUP lubricants meet these requirements perfectly and are optimised for your WIRTGEN GROUP machine.

The best choice for ensuring the effectiveness of your machine and reducing maintenance costs long-term!



> Read more online  
for WIRTGEN



> Read more online  
for VÖGELE



> Read more online  
for HAMM



> Read more online  
for KLEEMANN

GEAR OILS			
Part	Properties	Container	Part no.
Gear oil 85W-90	Mineral oil-based axle gear oil for WIRTGEN drive systems.  Do not use for WIRTGEN milling drum gearboxes (except 2500 SM, 4200 SM), HAMM vibratory bearings and drum drives or VÖGELE pump splitter gearboxes and drive systems.	5 l	2065030
		20 l	2065031
		208 l	2065032
High-performance gear oil PGLP 150	Exclusive fully synthetic gear oil tailored to high-performance use in WIRTGEN milling drum gearboxes. The high wettability of the lubricant ensures that the oil adheres well to gears and thus offers excellent wear protection. Do not use for HAMM vibratory bearings and drum drives.	5 l	2173019
		20 l	199752
		208 l	2120829
High-performance gear oil PGLP 220	Exclusive fully synthetic gear oil designed for high-performance use in WIRTGEN milling drum gearboxes as well as KLEEMANN conveyor and bevel gearboxes. The high wettability of the lubricant ensures that the oil adheres well to gears and thus offers excellent wear protection.  Do not use for HAMM vibratory bearings and drum drives.	5 l	2170074
		20 l	2065033
		208 l	2065034
High-performance gear oil PGLP 460	Exclusive fully synthetic gear oil tailored to high-performance use in WIRTGEN hot recyclers and in S-Pack binding agent metering units. The high wettability of the lubricant ensures that the oil adheres well to gears and thus offers excellent wear protection. Do not use for HAMM vibratory bearings and drum drives.	5 l	2461524
		20 l	2120830
Multi gear oil VG 150	Mineral oil-based industrial gear oil for KLEEMANN cone crushers. The EP (extreme pressure) additives provide exceptional wear protection. Recommended for use in KLEEMANN MCO 9 EVO and MCO 11 PRO cone crushers.	20 l	2483280
		208 l	2483281



GEAR OILS			
Part	Properties	Container	Part no.
Special gear oil	Special fully synthetic multigrade gear oil for VÖGELE pump splitter gearboxes and drive systems, HAMM vibratory bearings as well as KLEEMANN travel drives.  It has excellent cold-start behaviour and offers exceptional wear protection (for example in bearings, gear wheels) and is therefore particularly suitable for demanding applications.	5 l	1238051
		20 l	2065037
		208 l	2065038
Special gear oil for roller drum drives	Special fully synthetic multigrade gear oil for HAMM roller drum drives.  It has excellent cold-start behaviour and offers exceptional wear protection (for example in bearings, gear wheels) and is therefore particularly suitable for demanding applications.	5 l	2571293
		20 l	2571294
		208 l	2571300

HYDRAULIC OILS			
Part	Properties	Container	Part no.
Clutch fluid HLP 32	Hydraulic oil for use in KLEEMANN clutches Suitable for low temperatures (subpolar zone).	5 l	2268030
		20 l	2268032
Hydraulic Oil HVLP 46	Multigrade hydraulic oil  Suitable for moderate temperatures.	20 l	2065028
		208 l	2065029
		1000 l IBC	2118571
Hydraulic oil HVLP 68	Multigrade hydraulic oil suitable for high temperatures (subtropics, tropics).	20 l	2118574
		208 l	2570591

COOLANTS			
Part	Properties	Container	Part no.
Antifreezing Compound WG30	Coolants for protection against corrosion, overheating and frost (not suitable for use in 09WR (WR 200i) or KLEEMANN machines).	5 l	2173022
		20 l	2173023
		208 l	2173024
Antifreezing Compound WG40	Coolants to protect against corrosion, overheating and frost for Mercedes Benz diesel engines installed in 09WR (WR 200i).	20 l	2555507
Antifreezing Compound WG48	Coolant for KLEEMANN machines to protect against corrosion, overheating and frost.	20 l	2535933

# MAINTENANCE PARTS

ENGINE OILS			
Part	Properties	Container	Part no.
Engine oil low SAPS 10W-30	Semi-synthetic 'Low SAPS' engine oil (low sulphated ash, sulphur and phosphorus content) with Fuel Economy technology. Its low sulphated ash content ensures that burnt oil components do not prematurely clog the exhaust aftertreatment system's particulate filters (DPF).	5 l	2210320
		20 l	2210322
		208 l	2210323
		1000 l IBC	2118570
Engine oil low SAPS 10W-40	Synthetic low-viscosity engine oil with a comprehensive performance spectrum  Fuel savings of up to 1% compared to a 15W-40 are possible.  For use in markets in which low-sulphur fuel is used (e.g. Europe).  Suitable for engines with exhaust gas aftertreatment (EU Stage 3b/ US EPA Tier 4i exhaust emission standard and above).	5 l	2346869
		20 l	2346870
		208 l	2346871
Engine oil low SAPS 15W-40	Mineral oil-based engine oil with higher quality base oil  Meets the viscosity requirements of all WIRTGEN GROUP machines with Cummins engines.  For use in markets in which low-sulphur fuel is used (e.g. Europe).  Suitable for engines with exhaust gas aftertreatment (EU Stage 3b/ US EPA Tier 4i exhaust emission standard and above).	5 l	2573349
		20 l	2573350
		208 l	2573351
		1000 l IBC	2637453
Engine oil 10W-40	Synthetic low-viscosity engine oil for the longest oil change intervals  For use in markets in which fuel with a higher sulphur content is used (e.g. India, China, Africa, South America).  Suitable for engines without exhaust aftertreatment (up to and including EU Stage 3a/US EPA Tier 3 exhaust emission standards).	5 l	2112355
		20 l	2112354
		208 l	2219171
		1000 l IBC	2118569
Engine oil 15W-40	Mineral oil-based multigrade engine oil  For use in markets where fuel with a higher sulphur content is used (for example India, China, Africa, South America).  Suitable for engines without exhaust aftertreatment (up to and including EU Stage 3a/US EPA Tier 3 exhaust emission standards).	5 l	2065020
		20 l	2065025
		208 l	2065026
		1000 l IBC	2118572





GREASE			
Part	Properties	Container	Part no.
Cone Moly grease	High viscosity lithium complex grease for lubricating KLEEMANN cone crushers. Molybdenum disulphide (MoS <sub>2</sub> ) grease. For heavy-duty, slow-turning bearings and bolts. Not suitable for ball bearings and polished surfaces. Operating temperature from -20 °C to +150 °C.	400 g	2342967
Drive bearing grease	Special high-performance grease for use in HAMM bearings. Extremely pressure- and water-resistant.	1 kg	1227114
Drum bearing grease	Exclusive grease for the lubrication of HAMM drum bearings. Extremely temperature- and pressure-resistant.	1 kg	1205757
Friction and roller bearing grease	High-performance polyurea grease with extreme pressure resistance and excellent wear protection. For the lubrication of VÖGELE roller bearings and sliding bearings that are subject to high thermal loads as well as BENNINGHOVEN applications. Wide operating temperature range from -25 °C to +180 °C (multigrade grease).	18 kg	2027868
High-performance grease	Mineral oil-based lithium complex grease with excellent wear protection. For use on couplings and WIRTGEN remixer, for example. Wide operating temperature range from -20 °C to +150 °C (multigrade grease).	400 g	47259
KLEEMANN high-performance grease	Grease for KLEEMANN screen bearings.	380 g	M10021195
Multipurpose Moly grease	Mineral oil-based grease for lubricating high-load or shock-loaded bearings in damp, unfavourable conditions. Suitable for lubrication points with mixed friction, rough surfaces and as assembly grease (for example joint pins, wheel bearings). Not suitable for ball bearings and polished surfaces.  Operating temperature from -25 °C to +120 °C.	400 g	2065035

OTHER LUBRICANTS			
Part	Properties	Container	Part no.
AdBlue®/DEF	32.5% high-purity urea solution according to DIN 70070 / ISO 22241.  AdBlue® is a registered trademark of the Association of the Automotive Industry (Verband der Automobilindustrie e. V.; VDA)	10 l	2434706
		210 l	2090870
Asphalt anti-stick	The perfect solution for pneumatic tyre and combination rollers from HAMM – prevents bitumen sticking to the rubber tyres. The emulsion is based on a non-toxic solution and is therefore quickly biodegradable.	5 l	2559307
		20 l	2559309
Silicone transformer liquid	DOW transformer oil can be used for the magnetic separator on KLEEMANN machines.	20 l	2346389

# MAINTENANCE PARTS

BIOLOGICAL HYDRAULIC OIL			
Part	Properties	Container	Part no.
Bio Hydraulic Oil HVLP 46	Biodegradable multigrade hydraulic oil	20 l	2118575
	Suitable for moderate temperatures.	208 l	2270558



# LIGHTING



VÖGELE road pavers meet the highest European and international safety standards. In order to permanently maintain this prescribed level of safety, the individual safety devices must be complete and fully functional even during intensive operation. To better illuminate construction sites at

night,

VÖGELE offer light balloons as supplementary lighting. These create optimised visibility and working conditions and also help to prevent accidents.



> Read more online

## LIGHT BALLOONS

VÖGELE light balloons ensure that workers enjoy maximum visibility on construction sites – even at night.



LIGHT BALLOONS							
Series code	Serial code	Type	Mount	Power	Pack- age con- tent	Please note	Part no.
SUPER 1100-3	1011, 1411	LED	with roof mount	600 W	1 pc.		2336013
SUPER 1100-3i	1011, 1411	LED	with roof mount	600 W	1 pc.		2336013
SUPER 1103-3	1111, 1511	LED	with roof mount	600 W	1 pc.		2336013

LIGHT BALLOONS							
Series code	Serial code	Type	Mount	Power	Pack- age con- tent	Please note	Part no.
SUPER 1103-3i	1111, 1511	LED	with roof mount	600 W	1 pc.		2336013
SUPER 1300-3	1011, 1411	LED	with roof mount	600 W	1 pc.		2336013
SUPER 1300-3i	1011, 1411	LED	with roof mount	600 W	1 pc.		2336013
SUPER 1303-3	1111, 1511	LED	with roof mount	600 W	1 pc.		2336013
SUPER 1303-3i	1111, 1511	LED	with roof mount	600 W	1 pc.		2336013
SUPER 1600-2	1182		with mount	2 kW	1 pc.		2090337
			with roof mount	2 kW	2 pc.		2090341
			with roof mount	2 kW	1 pc.		2090340
			with mount	2 kW	2 pc.		2090339
SUPER 1600-3	1582	LED			1 pc.		2241443
		LED	with roof mount	600 W	1 pc.	Please ensure that the machine is equipped with a power socket.	2484916
			with roof mount	2 kW	1 pc.	Please ensure that the machine is equipped with a power socket.	2196074
			with roof mount	2 kW	2 pc.	Please ensure that the machine is equipped with a power socket.	2196075
SUPER 1600-3i	1582	LED			1 pc.		2241443
		LED	with roof mount	600 W	1 pc.	Please ensure that the machine is equipped with a power socket.	2484916
			with roof mount	2 kW	1 pc.	Please ensure that the machine is equipped with a power socket.	2196074
			with roof mount	2 kW	2 pc.	Please ensure that the machine is equipped with a power socket.	2196075
SUPER 1603-2	0883		with mount	2 kW	1 pc.		2090337
			with roof mount	2 kW	2 pc.		2090341
			with roof mount	2 kW	1 pc.		2090340



LIGHT BALLOONS							
Series code	Serial code	Type	Mount	Power	Pack- age con- tent	Please note	Part no.
SUPER 1603-2	0883		with mount	2 kW	2 pc.		2090339
SUPER 1603-3i	1183	LED			1 pc.		2241443
		LED	with roof mount	600 W	1 pc.	Please ensure that the machine is equipped with a power socket.	2484916
			with roof mount	2 kW	1 pc.	Please ensure that the machine is equipped with a power socket.	2196074
			with roof mount	2 kW	2 pc.	Please ensure that the machine is equipped with a power socket.	2196075
SUPER 1603-3	1183	LED			1 pc.		2241443
			with roof mount	2 kW	1 pc.	Please ensure that the machine is equipped with a power socket.	2196074
			with roof mount	2 kW	2 pc.	Please ensure that the machine is equipped with a power socket.	2196075
		LED	with roof mount	600 W	1 pc.	Please ensure that the machine is equipped with a power socket.	2484916
SUPER 1800-2	1182		with mount	2 kW	1 pc.		2090337
			with roof mount	2 kW	2 pc.		2090341
			with roof mount	2 kW	1 pc.		2090340
			with mount	2 kW	2 pc.		2090339
SUPER 1800-3	1482	LED			1 pc.		2241443
		LED	with roof mount	600 W	1 pc.	Please ensure that the machine is equipped with a power socket.	2484916
			with roof mount	2 kW	1 pc.	Please ensure that the machine is equipped with a power socket.	2196074
			with roof mount	2 kW	2 pc.	Please ensure that the machine is equipped with a power socket.	2196075

LIGHT BALLOONS							
Series code	Serial code	Type	Mount	Power	Pack- age con- tent	Please note	Part no.
SUPER 1800-3i	1482	LED			1 pc.		2241443
		LED	with roof mount	600 W	1 pc.	Please ensure that the machine is equipped with a power socket.	2484916
			with roof mount	2 kW	1 pc.	Please ensure that the machine is equipped with a power socket.	2196074
			with roof mount	2 kW	2 pc.	Please ensure that the machine is equipped with a power socket.	2196075
SUPER 1803-2	0883		with mount	2 kW	1 pc.		2090337
			with roof mount	2 kW	1 pc.		2090340
			with roof mount	2 kW	2 pc.		2090341
			with mount	2 kW	2 pc.		2090339
SUPER 1803-3	1083	LED			1 pc.		2241443
			with roof mount	2 kW	2 pc.	Please ensure that the machine is equipped with a power socket.	2196075
		LED	with roof mount	600 W	1 pc.	Please ensure that the machine is equipped with a power socket.	2484916
			with roof mount	2 kW	1 pc.	Please ensure that the machine is equipped with a power socket.	2196074
SUPER 1803-3i	1083	LED			1 pc.		2241443
			with roof mount	2 kW	2 pc.	Please ensure that the machine is equipped with a power socket.	2196075
		LED	with roof mount	600 W	1 pc.	Please ensure that the machine is equipped with a power socket.	2484916
			with roof mount	2 kW	1 pc.	Please ensure that the machine is equipped with a power socket.	2196074
SUPER 1900-2	0719		with mount	2 kW	1 pc.		2090337



LIGHT BALLOONS							
Series code	Serial code	Type	Mount	Power	Pack- age con- tent	Please note	Part no.
SUPER 1900-2	0719		with roof mount	2 kW	2 pc.		2090341
			with roof mount	2 kW	1 pc.		2090340
			with mount	2 kW	2 pc.		2090339
SUPER 1900-3	0819	LED			1 pc.		2241443
			with roof mount	2 kW	2 pc.	Please ensure that the machine is equipped with a power socket.	2196075
		LED	with roof mount	600 W	1 pc.	Please ensure that the machine is equipped with a power socket.	2484916
			with roof mount	2 kW	1 pc.	Please ensure that the machine is equipped with a power socket.	2196074
SUPER 1900-3i	0819	LED			1 pc.		2241443
			with roof mount	2 kW	2 pc.	Please ensure that the machine is equipped with a power socket.	2196075
		LED	with roof mount	600 W	1 pc.	Please ensure that the machine is equipped with a power socket.	2484916
			with roof mount	2 kW	1 pc.	Please ensure that the machine is equipped with a power socket.	2196074
SUPER 2100-2	0719		with mount	2 kW	1 pc.		2090337
			with roof mount	2 kW	2 pc.		2090341
			with roof mount	2 kW	1 pc.		2090340
			with mount	2 kW	2 pc.		2090339
SUPER 2100-3	0819	LED			1 pc.		2241443
			with roof mount	2 kW	2 pc.	Please ensure that the machine is equipped with a power socket.	2196075
		LED	with roof mount	600 W	1 pc.	Please ensure that the machine is equipped with a power socket.	2484916

LIGHT BALLOONS							
Series code	Serial code	Type	Mount	Power	Pack- age con- tent	Please note	Part no.
SUPER 2100-3	0819		with roof mount	2 kW	1 pc.	Please ensure that the machine is equipped with a power socket.	2196074
SUPER 2100-3i	0819	LED			1 pc.		2241443
			with roof mount	2 kW	2 pc.	Please ensure that the machine is equipped with a power socket.	2196075
		LED	with roof mount	600 W	1 pc.	Please ensure that the machine is equipped with a power socket.	2484916
			with roof mount	2 kW	1 pc.	Please ensure that the machine is equipped with a power socket.	2196074
SUPER 3000-2	0874		with roof mount	2 kW	1 pc.		2135461
			with mount	2 kW	2 pc.		2135469
			with roof mount	2 kW	2 pc.		2135465
			with mount	2 kW	1 pc.		2135464
SUPER 3000-3	1074	LED			1 pc.		2241443
		LED	with roof mount	600 W	1 pc.	Please ensure that the machine is equipped with a power socket.	2484916
SUPER 1800-2 SJ	1182		with mount	2 kW	2 pc.		2132558
			with mount	2 kW	1 pc.		2117491
MT 3000-2	0761		with mount	2 kW	2 pc.		2142966
			with roof mount	2 kW	1 pc.		2192563
			with mount	2 kW	1 pc.		2192564
			with roof mount	2 kW	2 pc.		2142965
MT 3000-2i	0761		with mount	2 kW	2 pc.		2142966
			with roof mount	2 kW	1 pc.		2192563
			with mount	2 kW	1 pc.		2192564
			with roof mount	2 kW	2 pc.		2142965





LIGHT BALLOONS							
Series code	Serial code	Type	Mount	Power	Pack- age con- tent	Please note	Part no.
MT 3000-3	0861				1 pc.		2619312
					1 pc.		2619286
					1 pc.		2619219
		LED	with roof mount	600 W	1 pc.	Please ensure that the machine is equipped with a power socket.	2484916
MT 3000-3i	0861				1 pc.		2619219
					1 pc.		2619312
					1 pc.		2619286
		LED	with roof mount	600 W	1 pc.	Please ensure that the machine is equipped with a power socket.	2484916

# Original VÖGELE KEYS



The available spare keys ensure that any machine operator can always move the machine or open locked areas of the machine containing components that need to be protected against

vandalism. We therefore recommend that you order additional keys if the keys supplied as standard are not sufficient for the operating personnel.



> Read more online

## CONTROL CABINET KEYS

Control cabinet key for the electrical cabinets of all VÖGELE pavers and screeds.



CONTROL CABINET KEYS		
Series code	Serial code	Part no.
SUPER 700	0790	4618270022
SUPER 700-3	0890	4618270022
SUPER 700-3i	0890	4618270022
SUPER 800	0790	4618270022
SUPER 800-3	0890	4618270022



CONTROL CABINET KEYS		
Series code	Serial code	Part no.
SUPER 800-3i	0890	4618270022
SUPER 700	0990	4618270022
SUPER 800	0990	4618270022
SUPER 1100-2	0811	4618270022
SUPER 1100-3	1011, 1411	4618270022
SUPER 1100-3i	1011, 1411	4618270022
SUPER 1103-2	0911	4618270022
SUPER 1103-3	1111, 1511	4618270022
SUPER 1103-3i	1111, 1511	4618270022
SUPER 1300-2	0811	4618270022
SUPER 1300-3	1011, 1411	4618270022
SUPER 1300-3i	1011, 1411	4618270022
SUPER 1303-2	0911	4618270022
SUPER 1303-3	1111, 1511	4618270022
SUPER 1303-3i	1111, 1511	4618270022

## KEY RINGS

The practical key rings from VÖGELE keep all your spare keys together in one place.



KEY RINGS		
Series code	Serial code	Part no.
SUPER 700	0790	3516031120
SUPER 700-3	0890	3516031120
SUPER 700-3i	0890	3516031120

**KEYS**

KEY RINGS		
Series code	Serial code	Part no.
SUPER 800	0790	3516031120
SUPER 800-3	0890	3516031120
SUPER 800-3i	0890	3516031120
SUPER 700	0990	3516031120
SUPER 800	0990	3516031120
SUPER 1100-2	0811	3516031120
SUPER 1100-3	1011, 1411	3516031120
SUPER 1100-3i	1011, 1411	3516031120
SUPER 1103-2	0911	3516031120
SUPER 1103-3	1111, 1511	3516031120
SUPER 1103-3i	1111, 1511	3516031120
SUPER 1300-2	0811	3516031120
SUPER 1300-3	1011, 1411	3516031120
SUPER 1300-3i	1011, 1411	3516031120
SUPER 1303-2	0911	3516031120
SUPER 1303-3	1111, 1511	3516031120
SUPER 1303-3i	1111, 1511	3516031120
SUPER 1600-1	0782	3516031120
SUPER 1600-2	1182	3516031120
SUPER 1600-3	1582	3516031120
SUPER 1600-3i	1582	3516031120
SUPER 1603-1	0783	3516031120
SUPER 1603-2	0883	3516031120
SUPER 1603-3i	1183	3516031120
SUPER 1603-3	1183	3516031120
SUPER 1700-3	1982	3516031120
SUPER 1700-3i	1982	3516031120



KEY RINGS		
Series code	Serial code	Part no.
SUPER 1703-3	1283	3516031120
SUPER 1703-3i	1283	3516031120
SUPER 1800-1	0782	3516031120
SUPER 1800-2	1182	3516031120
SUPER 1800-3	1482	3516031120
SUPER 1800-3i	1482	3516031120
SUPER 1803-1	0783	3516031120
SUPER 1803-2	0883	3516031120
SUPER 1803-3	1083	3516031120
SUPER 1803-3i	1083	3516031120
SUPER 1900-2	0719	3516031120
SUPER 1900-3	0819	3516031120
SUPER 1900-3i	0819	3516031120
SUPER 2000-3	1174	3516031120
SUPER 2000-3i	1174	3516031120
SUPER 2003-3	0975	3516031120
SUPER 2003-3i	0975	3516031120
SUPER 2100-2	0719	3516031120
SUPER 2100-2 IP	0719	3516031120
SUPER 2100-3	0819	3516031120
SUPER 2100-3i	0819	3516031120
SUPER 3000-2	0874	3516031120
SUPER 3000-3	1074	3516031120
SUPER 1800-2 SJ	1182	3516031120
SUPER 1800-3 SJ	1482	3516031120
SUPER 1800-3i SJ	1482	3516031120
MT 3000-2	0761	3516031120

Original VÖGELE  
**KEYS**

KEY RINGS		
Series code	Serial code	Part no.
MT 3000-2i	0761	3516031120
MT 3000-3	0861	3516031120
MT 3000-3i	0861	3516031120

**TANK KEY**

Our tank keys enable you to open and close the tank lids of all VÖGELE machines.



TANK KEY		
Series code	Serial code	Part no.
SUPER 700	0790	4619112010
SUPER 700-3	0890	4619112010
SUPER 700-3i	0890	4619112010
SUPER 800	0790	4619112010
SUPER 800-3	0890	4619112010
SUPER 800-3i	0890	4619112010
SUPER 700	0990	4619112010
SUPER 800	0990	4619112010
SUPER 1100-2	0811	4619112010
SUPER 1100-3	1011, 1411	4619112010
SUPER 1100-3i	1011, 1411	4619112010
SUPER 1103-2	0911	4619112010
SUPER 1103-3	1111, 1511	4619112010
SUPER 1103-3i	1111, 1511	4619112010
SUPER 1300-2	0811	4619112010



TANK KEY		
Series code	Serial code	Part no.
SUPER 1300-3	1011, 1411	4619112010
SUPER 1300-3i	1011, 1411	4619112010
SUPER 1303-2	0911	4619112010
SUPER 1303-3	1111, 1511	4619112010
SUPER 1303-3i	1111, 1511	4619112010
SUPER 1600-1	0782	4619112010
SUPER 1600-2	1182	4619112010
SUPER 1600-3	1582	4619112010
SUPER 1600-3i	1582	4619112010
SUPER 1603-1	0783	4619112010
SUPER 1603-2	0883	4619112010
SUPER 1603-3i	1183	4619112010
SUPER 1603-3	1183	4619112010
SUPER 1700-3	1982	4619112010
SUPER 1700-3i	1982	4619112010
SUPER 1703-3	1283	4619112010
SUPER 1703-3i	1283	4619112010
SUPER 1800-1	0782	4619112010
SUPER 1800-2	1182	4619112010
SUPER 1800-3	1482	4619112010
SUPER 1800-3i	1482	4619112010
SUPER 1803-1	0783	4619112010
SUPER 1803-2	0883	4619112010
SUPER 1803-3	1083	4619112010
SUPER 1803-3i	1083	4619112010
SUPER 1900-2	0719	4619112010
SUPER 1900-3	0819	4619112010

Original VÖGELE  
**KEYS**

TANK KEY		
Series code	Serial code	Part no.
SUPER 1900-3i	0819	4619112010
SUPER 2000-3	1174	4619112010
SUPER 2000-3i	1174	4619112010
SUPER 2003-3	0975	4619112010
SUPER 2003-3i	0975	4619112010
SUPER 2100-2	0719	4619112010
SUPER 2100-2 IP	0719	4619112010
SUPER 2100-3	0819	4619112010
SUPER 2100-3i	0819	4619112010
SUPER 3000-2	0874	4619112010
SUPER 3000-3	1074	4619112010
SUPER 1800-2 SJ	1182	4619112010
SUPER 1800-3 SJ	1482	4619112010
SUPER 1800-3i SJ	1482	4619112010
MT 3000-2	0761	4619112010
MT 3000-2i	0761	4619112010
MT 3000-3	0861	4619112010
MT 3000-3i	0861	4619112010





## SQUARE KEY

Square keys from VÖGELE can be used to open all square-headed screws with ease.



SQUARE KEY		
Series code	Serial code	Part no.
SUPER 700	0790	4618382084
SUPER 700-3	0890	4618382084
SUPER 700-3i	0890	4618382084
SUPER 800	0790	4618382084
SUPER 800-3	0890	4618382084
SUPER 800-3i	0890	4618382084
SUPER 700	0990	4618382084
SUPER 800	0990	4618382084
SUPER 1100-2	0811	4618382084
SUPER 1100-3	1011, 1411	4618382084
SUPER 1100-3i	1011, 1411	4618382084
SUPER 1103-2	0911	4618382084
SUPER 1103-3	1111, 1511	4618382084
SUPER 1103-3i	1111, 1511	4618382084
SUPER 1300-2	0811	4618382084
SUPER 1300-3	1011, 1411	4618382084
SUPER 1300-3i	1011, 1411	4618382084
SUPER 1303-2	0911	4618382084
SUPER 1303-3	1111, 1511	4618382084
SUPER 1303-3i	1111, 1511	4618382084
SUPER 1600-1	0782	4618382084

Original VÖGELE  
**KEYS**

SQUARE KEY		
Series code	Serial code	Part no.
SUPER 1600-2	1182	4618382084
SUPER 1600-3	1582	4618382084
SUPER 1600-3i	1582	4618382084
SUPER 1603-1	0783	4618382084
SUPER 1603-2	0883	4618382084
SUPER 1603-3i	1183	4618382084
SUPER 1603-3	1183	4618382084
SUPER 1700-3	1982	4618382084
SUPER 1700-3i	1982	4618382084
SUPER 1703-3	1283	4618382084
SUPER 1703-3i	1283	4618382084
SUPER 1800-1	0782	4618382084
SUPER 1800-2	1182	4618382084
SUPER 1800-3	1482	4618382084
SUPER 1800-3i	1482	4618382084
SUPER 1803-1	0783	4618382084
SUPER 1803-2	0883	4618382084
SUPER 1803-3	1083	4618382084
SUPER 1803-3i	1083	4618382084
SUPER 1900-2	0719	4618382084
SUPER 1900-3	0819	4618382084
SUPER 1900-3i	0819	4618382084
SUPER 2000-3	1174	4618382084
SUPER 2000-3i	1174	4618382084
SUPER 2003-3	0975	4618382084
SUPER 2003-3i	0975	4618382084
SUPER 2100-2	0719	4618382084



SQUARE KEY		
Series code	Serial code	Part no.
SUPER 2100-2 IP	0719	4618382084
SUPER 2100-3	0819	4618382084
SUPER 2100-3i	0819	4618382084
SUPER 3000-2	0874	4618382084
SUPER 3000-3	1074	4618382084
SUPER 1800-2 SJ	1182	4618382084
SUPER 1800-3 SJ	1482	4618382084
SUPER 1800-3i SJ	1482	4618382084
MT 3000-2	0761	4618382084
MT 3000-2i	0761	4618382084
MT 3000-3	0861	4618382084
MT 3000-3i	0861	4618382084

## IGNITION KEYS

VÖGELE ignition keys are needed to open and start your VÖGELE pavers and screeds.



IGNITION KEYS		
Series code	Serial code	Part no.
SUPER 700	0790	3515046032
SUPER 700-3	0890	3515046032
SUPER 700-3i	0890	3515046032
SUPER 800	0790	3515046032
SUPER 800-3	0890	3515046032
SUPER 800-3i	0890	3515046032

Original VÖGELE  
**KEYS**

IGNITION KEYS		
Series code	Serial code	Part no.
SUPER 700	0990	3515046032
SUPER 800	0990	3515046032
SUPER 1100-2	0811	3515046032
SUPER 1100-3	1011, 1411	3515046032
SUPER 1100-3i	1011, 1411	3515046032
SUPER 1103-2	0911	3515046032
SUPER 1103-3	1111, 1511	3515046032
SUPER 1103-3i	1111, 1511	3515046032
SUPER 1300-2	0811	3515046032
SUPER 1300-3	1011, 1411	3515046032
SUPER 1300-3i	1011, 1411	3515046032
SUPER 1303-2	0911	3515046032
SUPER 1303-3	1111, 1511	3515046032
SUPER 1303-3i	1111, 1511	3515046032
SUPER 1600-1	0782	3515046032
SUPER 1600-2	1182	3515046032
SUPER 1600-3	1582	3515046032
SUPER 1600-3i	1582	3515046032
SUPER 1603-1	0783	3515046032
SUPER 1603-2	0883	3515046032
SUPER 1603-3i	1183	3515046032
SUPER 1603-3	1183	3515046032
SUPER 1700-3	1982	3515046032
SUPER 1700-3i	1982	3515046032
SUPER 1703-3	1283	3515046032
SUPER 1703-3i	1283	3515046032
SUPER 1800-1	0782	3515046032



IGNITION KEYS		
Series code	Serial code	Part no.
SUPER 1800-2	1182	3515046032
SUPER 1800-3	1482	3515046032
SUPER 1800-3i	1482	3515046032
SUPER 1803-1	0783	3515046032
SUPER 1803-2	0883	3515046032
SUPER 1803-3	1083	3515046032
SUPER 1803-3i	1083	3515046032
SUPER 1900-2	0719	3515046032
SUPER 1900-3	0819	3515046032
SUPER 1900-3i	0819	3515046032
SUPER 2000-3	1174	3515046032
SUPER 2000-3i	1174	3515046032
SUPER 2003-3	0975	3515046032
SUPER 2003-3i	0975	3515046032
SUPER 2100-2	0719	3515046032
SUPER 2100-2 IP	0719	3515046032
SUPER 2100-3	0819	3515046032
SUPER 2100-3i	0819	3515046032
SUPER 3000-2	0874	3515046032
SUPER 3000-3	1074	3515046032
SUPER 1800-2 SJ	1182	3515046032
SUPER 1800-3 SJ	1482	3515046032
SUPER 1800-3i SJ	1482	3515046032
MT 3000-2	0761	3515046032
MT 3000-2i	0761	3515046032
MT 3000-3	0861	3515046032
MT 3000-3i	0861	3515046032

Original VÖGELE  
**TELEMATICS**



WITOS, the telematics system from the WIRTGEN GROUP, offers an optimised package of solutions to increase your productivity on the construction site. The intelligent WITOS FleetView telematics system from the WIRTGEN GROUP supports fleet and service management for machines from WIRTGEN, VÖGELE, HAMM and KLEEMANN. Thanks to the system-supported processing, transmission, visualisation and evaluation of machine and position data, fleet and service

management becomes even more efficient during day-to-day operations. With WITOS FleetView, you can keep track of your fleet of machines at all times.

Please note that you will need two components if you are planning to retrofit WITOS FleetView. The retrofit kit containing a set consisting only of cables and the assembly kit with the appropriate TCU for your country.



> Read more online



## WITOS FLEETVIEW

WITOS FleetView fleet management gives you a permanent overview of the condition of your machines.

WITOS FleetView is not available in all countries and for all series – please contact your local sales and service company if you have any questions.



WITOS FLEETVIEW					
Series code	Serial code	Series range	Part	Package includes	Part no.
SUPER 700	0790	20 - 9999	WITOS FleetView retrofit kit	incl. cable set, without TCU	2430485
				TCU variant 1, 3G (Russia)	2412173
				TCU variant 4, 4G (Japan)	2880231
				TCU variant 3, 4G (North America)	2761157
				TCU variant 2, 4G (EU)	2761155
SUPER 700-3	0890	20 - 9999	WITOS FleetView retrofit kit	incl. cable set, without TCU	2912556
				TCU variant 1, 3G (Russia)	2412173
				TCU variant 3, 4G (North America)	2761157
				TCU variant 4, 4G (Japan)	2880231
				TCU variant 2, 4G (EU)	2761155
SUPER 700-3i	0890	20 - 9999	WITOS FleetView retrofit kit	incl. cable set, without TCU	2912556
				TCU variant 2, 4G (EU)	2761155
				TCU variant 4, 4G (Japan)	2880231
				TCU variant 1, 3G (Russia)	2412173
				TCU variant 3, 4G (North America)	2761157
SUPER 800	0790	20 - 9999	WITOS FleetView retrofit kit	incl. cable set, without TCU	2430485
				TCU variant 1, 3G (Russia)	2412173
				TCU variant 3, 4G (North America)	2761157
				TCU variant 4, 4G (Japan)	2880231
				TCU variant 2, 4G (EU)	2761155

Original VÖGELE  
**TELEMATICS**

WITOS FLEETVIEW					
Series code	Serial code	Series range	Part	Package includes	Part no.
SUPER 800-3	0890	20 - 9999	WITOS FleetView retrofit kit	incl. cable set, without TCU	2912556
				TCU variant 4, 4G (Japan)	2880231
				TCU variant 1, 3G (Russia)	2412173
				TCU variant 3, 4G (North America)	2761157
				TCU variant 2, 4G (EU)	2761155
SUPER 800-3i	0890	20 - 9999	WITOS FleetView retrofit kit	incl. cable set, without TCU	2912556
				TCU variant 4, 4G (Japan)	2880231
				TCU variant 1, 3G (Russia)	2412173
				TCU variant 3, 4G (North America)	2761157
				TCU variant 2, 4G (EU)	2761155
SUPER 700	0990	20 - 9999	WITOS FleetView retrofit kit	TCU variant 4, 4G (Japan)	2880231
				TCU variant 2, 4G (EU)	2761155
				TCU variant 1, 3G (Russia)	2412173
				incl. cable set, without TCU	2912556
				TCU variant 3, 4G (North America)	2761157
SUPER 800	0990	20 - 9999	WITOS FleetView retrofit kit	TCU variant 3, 4G (North America)	2761157
				incl. cable set, without TCU	2912556
				TCU variant 2, 4G (EU)	2761155
				TCU variant 4, 4G (Japan)	2880231
				TCU variant 1, 3G (Russia)	2412173
SUPER 1100-3	1411	20 - 9999	WITOS FleetView retrofit kit	TCU variant 1, 3G (Russia)	2412173
				incl. cable set, without TCU	2912557
				TCU variant 3, 4G (North America)	2761157
				TCU variant 2, 4G (EU)	2761155
				TCU variant 4, 4G (Japan)	2880231
SUPER 1100-3i	1411	20 - 9999	WITOS FleetView retrofit kit	incl. cable set, without TCU	2912557





WITOS FLEETVIEW					
Series code	Serial code	Series range	Part	Package includes	Part no.
SUPER 1100-3i	1411	20 - 9999	WITOS FleetView retrofit kit	TCU variant 2, 4G (EU)	2761155
				TCU variant 4, 4G (Japan)	2880231
				TCU variant 3, 4G (North America)	2761157
				TCU variant 1, 3G (Russia)	2412173
SUPER 1103-3	1511	20 - 9999	WITOS FleetView retrofit kit	TCU variant 4, 4G (Japan)	2880231
				TCU variant 3, 4G (North America)	2761157
				TCU variant 1, 3G (Russia)	2412173
				TCU variant 2, 4G (EU)	2761155
				incl. cable set, without TCU	2912557
SUPER 1103-3i	1511	20 - 9999	WITOS FleetView retrofit kit	incl. cable set, without TCU	2912557
				TCU variant 3, 4G (North America)	2761157
				TCU variant 4, 4G (Japan)	2880231
				TCU variant 2, 4G (EU)	2761155
				TCU variant 1, 3G (Russia)	2412173
SUPER 1300-3	1411	20 - 9999	WITOS FleetView retrofit kit	incl. cable set, without TCU	2912557
				TCU variant 3, 4G (North America)	2761157
				TCU variant 2, 4G (EU)	2761155
				TCU variant 4, 4G (Japan)	2880231
				TCU variant 1, 3G (Russia)	2412173
SUPER 1300-3i	1411	20 - 9999	WITOS FleetView retrofit kit	incl. cable set, without TCU	2912557
				TCU variant 2, 4G (EU)	2761155
				TCU variant 1, 3G (Russia)	2412173
				TCU variant 3, 4G (North America)	2761157
				TCU variant 4, 4G (Japan)	2880231
SUPER 1303-3	1511	20 - 9999	WITOS FleetView retrofit kit	incl. cable set, without TCU	2912557
				TCU variant 3, 4G (North America)	2761157

Original VÖGELE  
**TELEMATICS**

WITOS FLEETVIEW					
Series code	Serial code	Series range	Part	Package includes	Part no.
SUPER 1303-3	1511	20 - 9999	WITOS FleetView retrofit kit	TCU variant 2, 4G (EU)	2761155
				TCU variant 1, 3G (Russia)	2412173
				TCU variant 4, 4G (Japan)	2880231
SUPER 1303-3i	1511	20 - 9999	WITOS FleetView retrofit kit	incl. cable set, without TCU	2912557
				TCU variant 3, 4G (North America)	2761157
				TCU variant 4, 4G (Japan)	2880231
				TCU variant 2, 4G (EU)	2761155
				TCU variant 1, 3G (Russia)	2412173
SUPER 1600-3	1582	20 - 9999	WITOS FleetView retrofit kit	TCU variant 2, 4G (EU)	2761155
				incl. cable set, without TCU	2866313
				TCU variant 4, 4G (Japan)	2880231
				TCU variant 3, 4G (North America)	2761157
				TCU variant 1, 3G (Russia)	2412173
			WITOS FleetView retrofit kit	incl. cable set, without TCU	2370243
SUPER 1600-3i	1582	20 - 9999	WITOS FleetView retrofit kit	TCU variant 1, 3G (Russia)	2412173
				incl. cable set, without TCU	2866313
				TCU variant 4, 4G (Japan)	2880231
				TCU variant 2, 4G (EU)	2761155
				TCU variant 3, 4G (North America)	2761157
			WITOS FleetView retrofit kit	incl. cable set, without TCU	2370243
SUPER 1603-3i	1183	20 - 9999	WITOS FleetView retrofit kit	TCU variant 2, 4G (EU)	2761155
				TCU variant 4, 4G (Japan)	2880231
				TCU variant 3, 4G (North America)	2761157
				incl. cable set, without TCU	2866313
				TCU variant 1, 3G (Russia)	2412173
			WITOS FleetView retrofit kit	incl. cable set, without TCU	2370243



WITOS FLEETVIEW					
Series code	Serial code	Series range	Part	Package includes	Part no.
SUPER 1603-3	1183	20 - 9999	WITOS FleetView retrofit kit	TCU variant 3, 4G (North America)	2761157
				incl. cable set, without TCU	2866313
				TCU variant 2, 4G (EU)	2761155
				TCU variant 1, 3G (Russia)	2412173
				TCU variant 4, 4G (Japan)	2880231
			WITOS FleetView retrofit kit	incl. cable set, without TCU	2370243
SUPER 1700-3	1982	20 - 9999	WITOS FleetView retrofit kit	TCU variant 2, 4G (EU)	2761155
				TCU variant 3, 4G (North America)	2761157
				TCU variant 4, 4G (Japan)	2880231
				incl. cable set, without TCU	2866313
				TCU variant 1, 3G (Russia)	2412173
			WITOS FleetView retrofit kit	incl. cable set, without TCU	2370243
SUPER 1700-3i	1982	20 - 9999	WITOS FleetView retrofit kit	incl. cable set, without TCU	2866313
				TCU variant 4, 4G (Japan)	2880231
				TCU variant 1, 3G (Russia)	2412173
				TCU variant 2, 4G (EU)	2761155
				TCU variant 3, 4G (North America)	2761157
			WITOS FleetView retrofit kit	incl. cable set, without TCU	2370243
SUPER 1703-3	1283	20 - 9999	WITOS FleetView retrofit kit	TCU variant 1, 3G (Russia)	2412173
				incl. cable set, without TCU	2866313
				TCU variant 2, 4G (EU)	2761155
				TCU variant 4, 4G (Japan)	2880231
				TCU variant 3, 4G (North America)	2761157
			WITOS FleetView retrofit kit	incl. cable set, without TCU	2370243
SUPER 1703-3i	1283	20 - 9999	WITOS FleetView retrofit kit	incl. cable set, without TCU	2866313
				TCU variant 3, 4G (North America)	2761157

Original VÖGELE  
**TELEMATICS**

WITOS FLEETVIEW					
Series code	Serial code	Series range	Part	Package includes	Part no.
SUPER 1703-3i	1283	20 - 9999	WITOS FleetView retrofit kit	TCU variant 1, 3G (Russia)	2412173
				TCU variant 2, 4G (EU)	2761155
				TCU variant 4, 4G (Japan)	2880231
			WITOS FleetView retrofit kit	incl. cable set, without TCU	2370243
SUPER 1800-3	1482	20 - 9999	WITOS FleetView retrofit kit	TCU variant 2, 4G (EU)	2761155
				incl. cable set, without TCU	2866313
				TCU variant 1, 3G (Russia)	2412173
				TCU variant 4, 4G (Japan)	2880231
			WITOS FleetView retrofit kit	TCU variant 3, 4G (North America)	2761157
	WITOS FleetView retrofit kit	incl. cable set, without TCU	2370243		
SUPER 1800-3i	1482	20 - 9999	WITOS FleetView retrofit kit	TCU variant 2, 4G (EU)	2761155
				incl. cable set, without TCU	2866313
				TCU variant 1, 3G (Russia)	2412173
				TCU variant 4, 4G (Japan)	2880231
			WITOS FleetView retrofit kit	TCU variant 3, 4G (North America)	2761157
	WITOS FleetView retrofit kit	incl. cable set, without TCU	2370243		
SUPER 1803-3	1083	20 - 9999	WITOS FleetView retrofit kit	TCU variant 4, 4G (Japan)	2880231
				incl. cable set, without TCU	2629825
				TCU variant 2, 4G (EU)	2761155
				TCU variant 3, 4G (North America)	2761157
			WITOS FleetView retrofit kit	TCU variant 1, 3G (Russia)	2412173
	WITOS FleetView retrofit kit	incl. cable set, without TCU	2370243		
SUPER 1803-3i	1083	20 - 9999	WITOS FleetView retrofit kit	TCU variant 3, 4G (North America)	2761157
				incl. cable set, without TCU	2629825
				TCU variant 2, 4G (EU)	2761155
				TCU variant 1, 3G (Russia)	2412173



WITOS FLEETVIEW					
Series code	Serial code	Series range	Part	Package includes	Part no.
SUPER 1803-3i	1083	20 - 9999	WITOS FleetView retrofit kit	TCU variant 4, 4G (Japan)	2880231
				incl. cable set, without TCU	2370243
SUPER 1900-3	0819	20 - 9999	WITOS FleetView retrofit kit	TCU variant 3, 4G (North America)	2761157
				incl. cable set, without TCU	2912519
				TCU variant 4, 4G (Japan)	2880231
				TCU variant 1, 3G (Russia)	2412173
				TCU variant 2, 4G (EU)	2761155
			WITOS FleetView retrofit kit	incl. cable set, without TCU	2370243
SUPER 1900-3i	0819	20 - 9999	WITOS FleetView retrofit kit	incl. cable set, without TCU	2912519
				TCU variant 3, 4G (North America)	2761157
				TCU variant 2, 4G (EU)	2761155
				TCU variant 1, 3G (Russia)	2412173
				TCU variant 4, 4G (Japan)	2880231
SUPER 2000-3	1174	20 - 9999	WITOS FleetView retrofit kit	TCU variant 1, 3G (Russia)	2412173
				incl. cable set, without TCU	2912519
				TCU variant 3, 4G (North America)	2761157
				TCU variant 2, 4G (EU)	2761155
				TCU variant 4, 4G (Japan)	2880231
			WITOS FleetView retrofit kit	incl. cable set, without TCU	2370243
SUPER 2000-3i	1174	20 - 9999	WITOS FleetView retrofit kit	TCU variant 3, 4G (North America)	2761157
				TCU variant 1, 3G (Russia)	2412173
				TCU variant 2, 4G (EU)	2761155
				incl. cable set, without TCU	2912519
				TCU variant 4, 4G (Japan)	2880231

Original VÖGELE  
**TELEMATICS**

WITOS FLEETVIEW					
Series code	Serial code	Series range	Part	Package includes	Part no.
SUPER 2003-3	0975	20 - 9999	WITOS FleetView retrofit kit	incl. cable set, without TCU	2912519
				TCU variant 2, 4G (EU)	2761155
				TCU variant 1, 3G (Russia)	2412173
				TCU variant 3, 4G (North America)	2761157
				TCU variant 4, 4G (Japan)	2880231
			WITOS FleetView retrofit kit	incl. cable set, without TCU	2370243
SUPER 2003-3i	0975	20 - 9999	WITOS FleetView retrofit kit	incl. cable set, without TCU	2912519
				TCU variant 2, 4G (EU)	2761155
				TCU variant 1, 3G (Russia)	2412173
				TCU variant 3, 4G (North America)	2761157
				TCU variant 4, 4G (Japan)	2880231
			WITOS FleetView retrofit kit	incl. cable set, without TCU	2370243
SUPER 2100-3	0819	20 - 9999	WITOS FleetView retrofit kit	incl. cable set, without TCU	2912519
				TCU variant 3, 4G (North America)	2761157
				TCU variant 4, 4G (Japan)	2880231
				TCU variant 2, 4G (EU)	2761155
				TCU variant 1, 3G (Russia)	2412173
			WITOS FleetView retrofit kit	incl. cable set, without TCU	2370243
SUPER 2100-3i	0819	20 - 9999	WITOS FleetView retrofit kit	incl. cable set, without TCU	2912519
				TCU variant 3, 4G (North America)	2761157
				TCU variant 2, 4G (EU)	2761155
				TCU variant 1, 3G (Russia)	2412173
				TCU variant 4, 4G (Japan)	2880231
			WITOS FleetView retrofit kit	incl. cable set, without TCU	2370243
MT 3000-3	0861	20 - 9999	WITOS FleetView retrofit kit	incl. cable set, incl. TCU 4G EU	3037766
				incl. cable set, incl. TCU 3G Russia	3037765



WITOS FLEETVIEW					
Series code	Serial code	Series range	Part	Package includes	Part no.
MT 3000-3	0861	20 - 9999	WITOS FleetView retrofit kit	incl. cable set, incl. TCU 4G North America	3037767
MT 3000-3i	0861	20 - 9999	WITOS FleetView retrofit kit	incl. cable set, incl. TCU 4G North America	3037767
				incl. cable set, incl. TCU 4G EU	3037766
				incl. cable set, incl. TCU 3G Russia	3037765

Original VÖGELE  
**EMERGENCY KITS**



Nothing is as important as the reliability of your VÖGELE paver. However, minor faults in the electrical or hydraulic systems can have a serious impact on your paver's operational readiness. Genuine VÖGELE emergency kits consist of a

robust case containing all the small electrical and hydraulic components you need most to remedy technical faults during paving operations. The kit is an ideal way to ensure that your paver is always in peak working condition.



> Read more online

**EMERGENCY KITS**

VÖGELE emergency kits provide rapid assistance in the repair of electronic and hydraulic components.



EMERGENCY KITS			
Series code	Serial code	Version	Part no.
SUPER 700	0790	electro-hydraulic	2055594
SUPER 700-3	0890	electro-hydraulic	2257880
SUPER 700-3i	0890	electro-hydraulic	2257880
SUPER 800	0790	electro-hydraulic	2055594





EMERGENCY KITS			
Series code	Serial code	Version	Part no.
SUPER 800-3	0890	electro-hydraulic	2257880
SUPER 800-3i	0890	electro-hydraulic	2257880
SUPER 1100-2	0811	electro-hydraulic	2110715
SUPER 1100-3	1011, 1411	electro-hydraulic	2257880
SUPER 1100-3i	1011, 1411	electro-hydraulic	2257880
SUPER 1103-2	0911	electro-hydraulic	2110719
SUPER 1103-3	1111, 1511	electro-hydraulic	2257880
SUPER 1103-3i	1111, 1511	electro-hydraulic	2257880
SUPER 1300-2	0811	electro-hydraulic	2110715
SUPER 1300-3	1011, 1411	electro-hydraulic	2257880
SUPER 1300-3i	1011, 1411	electro-hydraulic	2257880
SUPER 1303-2	0911	electro-hydraulic	2110719
SUPER 1303-3	1111, 1511	electro-hydraulic	2257880
SUPER 1303-3i	1111, 1511	electro-hydraulic	2257880
SUPER 1600-1	0782	electro-hydraulic	2055583
SUPER 1600-2	1182	electro-hydraulic	2110709
SUPER 1600-3	1582	electro-hydraulic	2257880
SUPER 1600-3i	1582	electro-hydraulic	2257880
SUPER 1603-1	0783	electro-hydraulic	2055585
SUPER 1603-2	0883	electro-hydraulic	2110712
SUPER 1603-3i	1183	electro-hydraulic	2257880
SUPER 1603-3	1183	electro-hydraulic	2257880
SUPER 1700-3	1982	electro-hydraulic	2257880
SUPER 1700-3i	1982	electro-hydraulic	2257880
SUPER 1703-3	1283	electro-hydraulic	2257880
SUPER 1703-3i	1283	electro-hydraulic	2257880
SUPER 1800-1	0782	electro-hydraulic	2055583

**EMERGENCY KITS**

EMERGENCY KITS			
Series code	Serial code	Version	Part no.
SUPER 1800-2	1182	electro-hydraulic	2110709
SUPER 1800-3	1482	electro-hydraulic	2257880
SUPER 1800-3i	1482	electro-hydraulic	2257880
SUPER 1803-1	0783	electro-hydraulic	2055585
SUPER 1803-2	0883	electro-hydraulic	2110712
SUPER 1803-3	1083	electro-hydraulic	2257880
SUPER 1803-3i	1083	electro-hydraulic	2257880
SUPER 1900-2	0719	electro-hydraulic	2055491
SUPER 1900-3	0819	electro-hydraulic	2257880
SUPER 1900-3i	0819	electro-hydraulic	2257880
SUPER 2000-3	1174	electro-hydraulic	2257880
SUPER 2000-3i	1174	electro-hydraulic	2257880
SUPER 2003-3	0975	electro-hydraulic	2257880
SUPER 2003-3i	0975	electro-hydraulic	2257880
SUPER 2100-2	0719	electro-hydraulic	2055491
SUPER 2100-3 HD	0819	electro-hydraulic	2257880
SUPER 2100-3i HD	0819	electro-hydraulic	2257880
SUPER 3000-2	0874	electro-hydraulic	2164865
SUPER 1800-3 SJ	1482	electro-hydraulic	2257880
SUPER 1800-3i SJ	1482	electro-hydraulic	2257880



# TOOLS



Nothing is more important than the reliability of your machine. Whether in the workshop or directly on the construction site, with special tools from VÖGELE you always have the right tool at hand for

the appropriate maintenance job. Sophisticated technology and ease of use are the hallmarks of these many small helpers in day-to-day construction site operations.



> Read more online

## TOOLS FOR ELECTRICAL SYSTEMS

From the infrared temperature measuring device to the megaohmmeter to the test lead set - VÖGELE's tools for electrical systems offer everything you need to respond quickly in the event of unforeseen failures.



TOOLS FOR ELECTRICAL SYSTEMS				
Part	Version	Description	Size	Part no.
Infrared temperature measuring unit		Non-contact measurement via infrared sensor. With adjustable emission level for measuring the temperature of different surfaces. Infrared and contact measurement in one device. Includes belt clip and batteries.		2008493
Hand-held tachometer	digital	Universal measuring device for measuring rotational speed, velocity and length. Non-contact measurement via reflex marking. Contact measurement with clip-on adapter.		2008504

### TOOLS FOR ELECTRICAL SYSTEMS

Part	Version	Description	Size	Part no.
Clip-on ammeter		For measuring AC and DC current 0.3 to 700 A, AC and DC voltage 0 to 750 V, frequency 0.5 to 9999 Hz, resistance 0 to 4 kΩ, continuity testing, belt pouch included.		2008516
Megaohmmeter		For finding insulation faults in the heating system and for ohm measurements.		2014661
Test lead set		Test leads, test prods and crocodile clips for the for the megohmmeter.		2014662
Fluke multimeter		Multimeter for measuring voltage, amperes, ohms and hertz.		425191
Disassembly tool for crimp connectors		To disassemble the ring of crimp connectors.		437491
Extraction tool	for crimp connectors	Extractor for loosening the star ring of crimp connectors.		437591
Crimping pliers		For fitting 0.5 - 2.5 mm <sup>2</sup> crimp connectors.	0.5 - 2.5 mm <sup>2</sup>	449391

### TOOLS FOR HYDRAULIC SYSTEMS

No service vehicle is complete without VÖGELE's hydraulic tools for repairing hydraulic components.



### TOOLS FOR HYDRAULIC SYSTEMS

Part	Description	Part no.
Vacuum pump	When working on the hydraulic system, it is extremely important to prevent oil from leaking. The vacuum pump can be used to create a vacuum in the air cavity above the hydraulic oil, which significantly minimises oil loss. For creating a stable pressure level in the hydraulic system, thus enabling repair work without a loss of oil - preventing environmental pollution. For leak testing the hydraulic system.	2008975
Hydraulic fittings kit	This case should not be missing from any service vehicle or workshop. It features a well-organized assortment of cutting rings, union nuts, Minimes fittings, SAE fittings as well as all of the standard fittings.	2056134



## SERVICE CASE

With VÖGELE service cases, you have everything you need to carry out minor maintenance tasks quickly and easily on your own.



SERVICE CASE		
Part	Description	Part no.
Service tool kit	Set of screwdrivers and pliers, crimping pliers, various switches, sensors and relays, digital measuring tools (clamp ammeter, digital hand-held tachometer, infrared thermometer, megohmmeter, multimeter), pressure gauge and much more.	2024590
Electrical service kit	This kit contains all of the standard parts needed to quickly repair an electrical failure.	2052241
Toolbox	Benefit from our tool kit and maintain the operational readiness of your machine.	2296353
On-board tools	This vehicle tool kit is designed specifically for our machines and is something no machine should be without. It can be stowed easily, even in smaller compartments, and is always ready to use.	2309864
O-Ring box	This box contains a comprehensive range of O-rings for sealing leaks in the hydraulic system.	4614062005

## OTHER TOOLS

Other tools such as various metering units and special nuts round off the portfolio. With VÖGELE tools, you can quickly and easily maintain your machines yourself.

OTHER TOOLS		
Part	Description	Part no.
Level	Length: 4 m, can be folded down to 1 m, 90 x 18 mm, without bubbles.	2034936
Paving thickness measuring unit	For measuring the asphalt thickness during the paving process.	2060727
Frequency meter	To measure the frequency, the frequency meter (sirometer) is held against a machine's housing while it is in operation and the meter displays the number of revolutions per minute (in increments of 1000). The lower scale displays the number of vibrations per second, i.e. in hertz.	4612070034
Special nut for hydraulic rams for pressure bars	For loosening and tightening the locking nut on hydraulic rams for pressure bars.	4618270012

Original HAMM

# MAINTENANCE PARTS



Filling or lubricating your machine with a lubricant specially tailored to the application has a significant impact on the service life of the active parts in combustion engines, hydraulic components, gearboxes and bearings. WIRTGEN GROUP lubricants are optimised for your machine

and therefore meet these special requirements perfectly. Combined with WIRTGEN GROUP filter sets and maintenance packages, our lubricants are the best choice to maintain the performance of your machine and permanently reduce maintenance costs.



> Read more online



## FILTER SETS

WIRTGEN GROUP filter systems, which are designed to be perfectly compatible with our lubricants and operating agents, ensure that the systems remain clean and prevent damage to components, thus maximising the service life of your machines. The filter packages contain the filters required for the machine type's respective replacement interval. In order to ensure that the machine performs at its best, we recommend that you adhere to the specified replacement intervals.



FILTER SETS							
Series code	Serial code	Series range	Cabin	First service	Replacement interval	Part no.	
H 5i	H222	1 - 9999			500 h; 500 h	2428761	
					2000 h; 2000 h	2428766	
					1000 h; 1000 h	2428764	
	H270	1 - 717				1000 h; 1000 h	2428764
						500 h; 500 h	2428761
						2000 h; 2000 h	2428766
		1 - 718				1000 h; 1000 h	2428764
						500 h; 500 h	2428761
						2000 h; 2000 h	2428766
		719 - 9999				1000 h; 1000 h	2946583
						2000 h; 2000 h	2946599
						500 h; 500 h	2946581
			50 h; 50 h		2935352		
H 7i	H222	1 - 9999			500 h; 500 h	2428761	
					2000 h; 2000 h	2428766	
					1000 h; 1000 h	2428764	
	H270	1 - 717				1000 h; 1000 h	2428764
						500 h; 500 h	2428761
		1 - 718				2000 h; 2000 h	2428766
						1000 h; 1000 h	2428764

Due to possible technical changes, always refer to the information in the instruction manual.

# MAINTENANCE PARTS

FILTER SETS								
Series code	Serial code	Series range	Cabin	First service	Replacement interval	Part no.		
H 7i	H270	1 - 718			500 h; 500 h	2428761		
					2000 h; 2000 h	2428766		
		719 - 9999				1000 h; 1000 h	2946583	
						2000 h; 2000 h	2946599	
						500 h; 500 h	2946581	
					50 h; 50 h		2935352	
H 10i	H235	1 - 2314			500 h; 1000 h; 500 h; 1000 h	2521856		
					2000 h; 2000 h	2527076		
		2315 - 9999				2000 h; 2000 h	2932205	
						500 h; 1000 h; 500 h; 1000 h	2932203	
					50 h; 50 h		2932202	
	H266	1 - 9999				500 h; 1000 h; 500 h; 1000 h	2932203	
						2000 h; 2000 h	2932205	
					50 h; 50 h		2932202	
		H284	1 - 9999				500 h; 1000 h; 500 h; 1000 h	2932203
						50 h; 50 h		2932202
							2000 h; 2000 h	2932205
H 11i	H211	1 - 9999			500 h; 1000 h; 500 h; 1000 h	2260053		
					50 h; 50 h	2308768		
						2000 h; 2000 h	2260055	
	H235	1 - 2314				2000 h; 2000 h	2527076	
						500 h; 1000 h; 500 h; 1000 h	2521856	
		2315 - 9999					2000 h; 2000 h	2932205
						500 h; 1000 h; 500 h; 1000 h	2932203	
					50 h; 50 h		2932202	
H266, H284	1 - 9999			2000 h; 2000 h	2932205			





FILTER SETS						
Series code	Serial code	Series range	Cabin	First service	Replacement interval	Part no.
H 11i	H266, H284	1 - 9999		50 h; 50 h		2932202
					500 h; 1000 h; 500 h; 1000 h	2932203
H 11ix	H210	1 - 9999			2000 h; 2000 h	2356671
					500 h; 1000 h; 500 h; 1000 h	2356666
H 12i	H235	1 - 2314			500 h; 1000 h; 500 h; 1000 h	2521856
					2000 h; 2000 h	2527076
		2315 - 9999			2000 h; 2000 h	2932205
					500 h; 1000 h; 500 h; 1000 h	2932203
	H266, H284	1 - 9999		50 h; 50 h		2932202
					500 h; 1000 h; 500 h; 1000 h	2932203
				50 h; 50 h		2932202
					2000 h; 2000 h	2932205
H 13i	H211	1 - 9999		50 h; 50 h		2308768
					2000 h; 2000 h	2260055
					500 h; 1000 h; 500 h; 1000 h	2260053
	H234	1 - 9999			2000 h; 2000 h	2546718
					500 h; 1000 h; 500 h; 1000 h	2546715
	H267	1 - 83			2000 h; 2000 h	2546718
					500 h; 1000 h; 500 h; 1000 h	2546715
		84 - 9999			500 h; 1000 h; 500 h; 1000 h	2932200
				50 h; 50 h		2932198
					2000 h; 2000 h	2932201
H 13ix	H210	1 - 9999			2000 h; 2000 h	2356671
					500 h; 1000 h; 500 h; 1000 h	2356666
H 14i	H234	1 - 9999			2000 h; 2000 h	2546718
					500 h; 1000 h; 500 h; 1000 h	2546715

Due to possible technical changes, always refer to the information in the instruction manual.

# MAINTENANCE PARTS

FILTER SETS							
Series code	Serial code	Series range	Cabin	First service	Replacement interval	Part no.	
H 14i	H267	1 - 83			500 h; 1000 h; 500 h; 1000 h	2546715	
					2000 h; 2000 h	2546718	
		84 - 9999			500 h; 1000 h; 500 h; 1000 h		2932200
				50 h; 50 h			2932198
					2000 h; 2000 h		2932201
H 16i	H211	1 - 9999			500 h; 1000 h; 500 h; 1000 h	2260053	
				50 h; 50 h		2308768	
					2000 h; 2000 h	2260055	
	H234	1 - 9999			2000 h; 2000 h	2546718	
					500 h; 1000 h; 500 h; 1000 h	2546715	
	H267	1 - 83			2000 h; 2000 h	2546718	
					500 h; 1000 h; 500 h; 1000 h	2546715	
		84 - 9999			500 h; 1000 h; 500 h; 1000 h	2932200	
				50 h; 50 h		2932198	
					2000 h; 2000 h	2932201	
H 18i	H202	1 - 9999		50 h; 50 h		2194245	
					2000 h; 2000 h	2204874	
					500 h; 1000 h; 500 h; 1000 h	2204871	
	H233	1 - 9999			500 h; 1000 h; 500 h; 1000 h	2555289	
				50 h; 50 h		2627654	
					2000 h; 2000 h	2555290	
	H268	1 - 192			2000 h; 2000 h	2555290	
					500 h; 1000 h; 500 h; 1000 h	2555289	
		193 - 9999		50 h; 50 h		2627654	
					500 h; 1000 h; 500 h; 1000 h	2955608	
			2000 h; 2000 h	2955609			



FILTER SETS							
Series code	Serial code	Series range	Cabin	First service	Replacement interval	Part no.	
H 18i	H268	193 - 9999		50 h; 50 h		2932198	
H 20i	H202	1 - 9999		50 h; 50 h		2194245	
					2000 h; 2000 h	2204874	
					500 h; 1000 h; 500 h; 1000 h	2204871	
	H233	1 - 9999			500 h; 1000 h; 500 h; 1000 h	2555289	
				50 h; 50 h		2627654	
					2000 h; 2000 h	2555290	
	H268	1 - 192				2000 h; 2000 h	2555290
					500 h; 1000 h; 500 h; 1000 h	2555289	
				50 h; 50 h		2627654	
		193 - 9999		50 h; 50 h		2932198	
					2000 h; 2000 h	2955609	
					500 h; 1000 h; 500 h; 1000 h	2955608	
H 25i	H202	1 - 9999		50 h; 50 h		2194245	
					2000 h; 2000 h	2204874	
					500 h; 1000 h; 500 h; 1000 h	2204871	
	H233	1 - 9999			500 h; 1000 h; 500 h; 1000 h	2555289	
				50 h; 50 h		2627654	
					2000 h; 2000 h	2555290	
	H268	1 - 192				2000 h; 2000 h	2555290
					500 h; 1000 h; 500 h; 1000 h	2555289	
				50 h; 50 h		2627654	
		193 - 9999			2000 h; 2000 h	2955609	
					500 h; 1000 h; 500 h; 1000 h	2955608	
				50 h; 50 h		2932198	
H 25i VC	H238	1 - 9999			2000 h; 2000 h	2416551	

Due to possible technical changes, always refer to the information in the instruction manual.

# MAINTENANCE PARTS

FILTER SETS							
Series code	Serial code	Series range	Cabin	First service	Replacement interval	Part no.	
H 25i VC	H238	1 - 9999			500 h; 1000 h; 500 h; 1000 h	2416543	
HC 170i	H256	1 - 9999			2000 h; 2000 h	3004458	
					500 h; 1000 h; 500 h; 1000 h	3004454	
				50 h; 50 h		3004452	
HC 200i	H256	1 - 9999			2000 h; 2000 h	3004458	
					500 h; 1000 h; 500 h; 1000 h	3004454	
				50 h; 50 h		3004452	
HC 250i	H256	1 - 9999			2000 h; 2000 h	3004458	
					500 h; 1000 h; 500 h; 1000 h	3004454	
				50 h; 50 h		3004452	
3205	H188	1 - 52		50 h; 50 h		2057970	
					500 h; 500 h	2057971	
					1000 h; 1000 h	2057972	
					2000 h; 2000 h	2057973	
		53 - 9999		50 h; 50 h		2221165	
					500 h; 500 h	2221168	
					1000 h; 1000 h	2221170	
					2000 h; 2000 h	2221172	
3307	H189	1 - 246			500 h; 500 h	2058131	
				50 h; 50 h		2058130	
					1000 h; 1000 h	2058132	
					2000 h; 2000 h	2058133	
		247 - 9999				2000 h; 2000 h	2243409
				50 h; 50 h		2243713	
					500 h; 500 h	2243406	
					1000 h; 1000 h	2243408	



FILTER SETS						
Series code	Serial code	Series range	Cabin	First service	Replacement interval	Part no.
3410	H179	1 - 9999			1000 h; 1000 h	2060093
					500 h; 500 h	2060092
				50 h; 50 h		2060088
					2000 h; 2000 h	2060094
	H206	1 - 9999		50 h; 50 h		2130142
					2000 h; 2000 h	2130147
					1000 h; 1000 h	2130145
					500 h; 500 h	2130143
	H217	1 - 261		50 h; 50 h		2325208
					500 h; 1000 h; 500 h; 1000 h	2325215
					2000 h; 2000 h	2325216
		262 - 9999		50 h; 50 h		2501689
					500 h; 1000 h; 500 h; 1000 h	2501690
					2000 h; 2000 h	2501691
	H221	1 - 9999		50 h; 50 h		2545701
					500 h; 1000 h; 500 h; 1000 h	2545708
					2000 h; 2000 h	2545710
	H269	1 - 9999		50 h; 50 h		2034356
					2000 h; 2000 h	2034360
					1000 h; 1000 h	2034359
				500 h; 500 h	2034358	
3411	H179	1 - 9999		50 h; 50 h		2060088
					2000 h; 2000 h	2060094
					1000 h; 1000 h	2060093
					500 h; 500 h	2060092
	H206	1 - 9999		50 h; 50 h		2130142

# MAINTENANCE PARTS

FILTER SETS						
Series code	Serial code	Series range	Cabin	First service	Replacement interval	Part no.
3411	H206	1 - 9999			2000 h; 2000 h	2130147
					1000 h; 1000 h	2130145
					500 h; 500 h	2130143
	H217	1 - 261		50 h; 50 h		2325208
					500 h; 1000 h; 500 h; 1000 h	2325215
					2000 h; 2000 h	2325216
		262 - 9999		50 h; 50 h		2501689
					500 h; 1000 h; 500 h; 1000 h	2501690
					2000 h; 2000 h	2501691
	H221	1 - 9999		50 h; 50 h		2545701
					2000 h; 2000 h	2545710
					500 h; 1000 h; 500 h; 1000 h	2545708
	H269	1 - 9999		50 h; 50 h		2034356
					2000 h; 2000 h	2034360
					1000 h; 1000 h	2034359
					500 h; 500 h	2034358
3412	H180	1 - 1346		50 h; 50 h		2060095
					500 h; 500 h	2060096
					1000 h; 1000 h	2060098
					2000 h; 2000 h	2060099
		1347 - 3370		50 h; 50 h		2215509
					2000 h; 2000 h	2215513
		3371 - 9999			500 h; 1000 h; 500 h; 1000 h	2215512
					500 h; 1000 h; 500 h; 1000 h	2501686
				50 h; 50 h		2501685
					2000 h; 2000 h	2501687



FILTER SETS							
Series code	Serial code	Series range	Cabin	First service	Replacement interval	Part no.	
3412	H214	1 - 9999		50 h; 50 h		2186745	
					2000 h; 2000 h	2186747	
					500 h; 1000 h; 500 h; 1000 h	2186746	
3414	H180	1 - 1346			1000 h; 1000 h	2060098	
				50 h; 50 h		2060095	
					500 h; 500 h	2060096	
					2000 h; 2000 h	2060099	
		1347 - 3370				2000 h; 2000 h	2215513
						500 h; 1000 h; 500 h; 1000 h	2215512
				50 h; 50 h		2215509	
				50 h; 50 h		2501685	
		3371 - 9999				500 h; 1000 h; 500 h; 1000 h	2501686
						2000 h; 2000 h	2501687
						50 h; 50 h	2186745
						2000 h; 2000 h	2186747
3516	H176	1 - 1501			500 h; 500 h	2043633	
				50 h; 50 h		2043632	
					1000 h; 1000 h	2043635	
1502 - 2488					2000 h; 2000 h	2043637	
				500 h; 1000 h; 500 h; 1000 h	2218061		
					2000 h; 2000 h	2218064	
		50 h; 50 h		2218059			
				2000 h; 2000 h	2501681		
				500 h; 1000 h; 500 h; 1000 h	2501680		
	2489 - 9999		50 h; 50 h		2501679		

Due to possible technical changes, always refer to the information in the instruction manual.

# MAINTENANCE PARTS

FILTER SETS						
Series code	Serial code	Series range	Cabin	First service	Replacement interval	Part no.
3516	H215	1 - 9999		50 h; 50 h		2203258
					2000 h; 2000 h	2203264
					500 h; 1000 h; 500 h; 1000 h	2203261
3518	H176	1 - 1501		50 h; 50 h		2043632
					500 h; 500 h	2043633
					1000 h; 1000 h	2043635
					2000 h; 2000 h	2043637
		1502 - 2488		50 h; 50 h		2218059
					2000 h; 2000 h	2218064
					500 h; 1000 h; 500 h; 1000 h	2218061
					500 h; 1000 h; 500 h; 1000 h	2501680
	2489 - 9999		50 h; 50 h		2501679	
				2000 h; 2000 h	2501681	
	H215	1 - 9999		50 h; 50 h		2203258
					2000 h; 2000 h	2203264
				500 h; 1000 h; 500 h; 1000 h	2203261	
3520	H176	1 - 1501		50 h; 50 h		2043632
					500 h; 500 h	2043633
					1000 h; 1000 h	2043635
					2000 h; 2000 h	2043637
		1502 - 2488		50 h; 50 h		2218059
					2000 h; 2000 h	2218064
					500 h; 1000 h; 500 h; 1000 h	2218061
					500 h; 1000 h; 500 h; 1000 h	2501680
	2489 - 9999		50 h; 50 h		2501679	
				2000 h; 2000 h	2501681	





FILTER SETS						
Series code	Serial code	Series range	Cabin	First service	Replacement interval	Part no.
3520	H215	1 - 9999		50 h; 50 h		2203258
					2000 h; 2000 h	2203264
					500 h; 1000 h; 500 h; 1000 h	2203261
3625	H177	1 - 58		50 h; 50 h		2043632
					500 h; 500 h	2043633
					1000 h; 1000 h	2043635
					2000 h; 2000 h	2043637
		59 - 9999		50 h; 50 h		2218059
					500 h; 1000 h; 500 h; 1000 h	2218061
		2000 h; 2000 h	2218064			
318	H239	1 - 9999		50 h; 50 h		2538254
					250 h; 250 h	2538255
					2000 h; 2000 h	2538258
					1000 h; 1000 h	2538257
					500 h; 500 h	2538256
320	H239	1 - 9999		50 h; 50 h		2538254
					250 h; 250 h	2538255
					2000 h; 2000 h	2538258
					1000 h; 1000 h	2538257
					500 h; 500 h	2538256
322	H239	1 - 9999		50 h; 50 h		2538254
					250 h; 250 h	2538255
					2000 h; 2000 h	2538258
					1000 h; 1000 h	2538257
					500 h; 500 h	2538256
325	H239	1 - 9999		50 h; 50 h		2538254

Due to possible technical changes, always refer to the information in the instruction manual.

# MAINTENANCE PARTS

FILTER SETS							
Series code	Serial code	Series range	Cabin	First service	Replacement interval	Part no.	
325	H239	1 - 9999			250 h; 250 h	2538255	
					2000 h; 2000 h	2538258	
					1000 h; 1000 h	2538257	
					500 h; 500 h	2538256	
HD 8	H199	1 - 220			2000 h; 2000 h	2151917	
				50 h; 50 h		2151915	
					500 h; 1000 h; 500 h; 1000 h	2151916	
		221 - 2090			500 h; 1000 h; 500 h; 1000 h	2171753	
				50 h; 50 h		2171751	
					2000 h; 2000 h	2171754	
		2091 - 9999				2000 h; 2000 h	2371682
						500 h; 1000 h; 500 h; 1000 h	2371680
						250 h; 250 h	2160199
				50 h; 50 h		2371678	
HD 10C	H199	1 - 220			2000 h; 2000 h	2151917	
				50 h; 50 h		2151915	
					500 h; 1000 h; 500 h; 1000 h	2151916	
		221 - 2090			500 h; 1000 h; 500 h; 1000 h	2171753	
				50 h; 50 h		2171751	
					2000 h; 2000 h	2171754	
		2091 - 9999				2000 h; 2000 h	2371682
						500 h; 1000 h; 500 h; 1000 h	2371680
						250 h; 250 h	2160199
				50 h; 50 h		2371678	
HD 8	H263	1 - 9999			1000 h; 1000 h	2844269	
					2000 h; 2000 h	2371682	



FILTER SETS							
Series code	Serial code	Series range	Cabin	First service	Replacement interval	Part no.	
HD 8	H263	1 - 9999			500 h; 500 h	2840784	
				50 h; 50 h		2371678	
HD 10C	H263	1 - 9999		50 h; 50 h		2371678	
					500 h; 500 h	2840784	
					1000 h; 1000 h	2844269	
					2000 h; 2000 h	2371682	
HD 10	H200	1 - 688			2000 h; 2000 h	2151921	
				50 h; 50 h		2151918	
					500 h; 1000 h; 500 h; 1000 h	2151919	
		689 - 4322			500 h; 1000 h; 500 h; 1000 h	2171758	
				50 h; 50 h		2171757	
					2000 h; 2000 h	2171760	
	H230, H262	1 - 9999	4323 - 9999			2000 h; 2000 h	2349678
						500 h; 1000 h; 500 h; 1000 h	2349677
					50 h; 50 h		2349670
					250 h; 250 h	2349675	
					250 h; 250 h	2349675	
				50 h; 50 h		2349670	
HD 10i	H251	1 - 9999			1000 h; 1000 h	2736314	
				50 h; 50 h		2736306	
					2000 h; 2000 h	2736316	
					500 h; 500 h	2736311	
HD 12	H200	1 - 688			2000 h; 2000 h	2151921	
				50 h; 50 h		2151918	

Due to possible technical changes, always refer to the information in the instruction manual.

# MAINTENANCE PARTS

FILTER SETS						
Series code	Serial code	Series range	Cabin	First service	Replacement interval	Part no.
HD 12	H200	1 - 688			500 h; 1000 h; 500 h; 1000 h	2151919
		689 - 4322			500 h; 1000 h; 500 h; 1000 h	2171758
				50 h; 50 h		2171757
					2000 h; 2000 h	2171760
					2000 h; 2000 h	2349678
		4323 - 9999			500 h; 1000 h; 500 h; 1000 h	2349677
				50 h; 50 h		2349670
					250 h; 250 h	2349675
				50 h; 50 h	2349670	
	H230	1 - 9999			2000 h; 2000 h	2349678
					500 h; 1000 h; 500 h; 1000 h	2349677
					250 h; 250 h	2349675
					250 h; 250 h	2349675
		1 - 9999			2000 h; 2000 h	2349678
				50 h; 50 h		2349670
					500 h; 1000 h; 500 h; 1000 h	2349677
				250 h; 250 h	2349675	
HD 12i	H251	1 - 9999		50 h; 50 h		2736306
					500 h; 500 h	2736311
					2000 h; 2000 h	2736316
					1000 h; 1000 h	2736314
HD 13	H201	170 - 3546	without operator's cabin; with operator's cabin; without operator's cabin; with operator's cabin		250 h; 250 h	251496
			with operator's cabin; with operator's cabin		2000 h; 2000 h	2271371
			without operator's cabin; without operator's cabin		2000 h; 2000 h	2171509
			without operator's cabin; with operator's cabin; without operator's cabin; with operator's cabin		500 h; 1000 h; 500 h; 1000 h	2171508



FILTER SETS									
Series code	Serial code	Series range	Cabin	First service	Replacement interval	Part no.			
HD 13	H201	170 - 3546	without operator's cabin; with operator's cabin;	50 h; 50 h		2171507			
			without operator's cabin; with operator's cabin						
		3547 - 9999	with operator's cabin; with operator's cabin		500 h; 1000 h; 500 h; 1000 h	2595596			
			without operator's cabin; without operator's cabin		2000 h; 2000 h	2595594			
			without operator's cabin; without operator's cabin		500 h; 1000 h; 500 h; 1000 h	2595592			
			without operator's cabin; with operator's cabin;	50 h; 50 h		2595591			
			without operator's cabin; with operator's cabin						
with operator's cabin; with operator's cabin		2000 h; 2000 h	2595597						
without operator's cabin; with operator's cabin; without operator's cabin; with operator's cabin		250 h; 250 h	251496						
HD 13i	H231	1 - 9999	without operator's cabin; with operator's cabin; without operator's cabin; with operator's cabin	50 h; 50 h		2461475			
			without operator's cabin; without operator's cabin					500 h; 500 h	2461477
			without operator's cabin; without operator's cabin					2000 h; 2000 h	2461478
			with operator's cabin; with operator's cabin					2000 h; 2000 h	2510674
			without operator's cabin; without operator's cabin					1000 h; 1000 h	2462699
			with operator's cabin; with operator's cabin					1000 h; 1000 h	2510670
			with operator's cabin; with operator's cabin					500 h; 500 h	2461480
	H265	1 - 9999	with operator's cabin; with operator's cabin		500 h; 500 h	2461480			
			with operator's cabin; with operator's cabin		1000 h; 1000 h	2510670			
			without operator's cabin; without operator's cabin		1000 h; 1000 h	2462699			
			without operator's cabin; with operator's cabin; without operator's cabin; with operator's cabin	50 h; 50 h		2461475			
			with operator's cabin; with operator's cabin						
			without operator's cabin; without operator's cabin				500 h; 500 h	2461477	
			without operator's cabin; without operator's cabin				2000 h; 2000 h	2510674	
without operator's cabin; without operator's cabin		500 h; 500 h	2461477						
without operator's cabin; without operator's cabin		2000 h; 2000 h	2461478						

Due to possible technical changes, always refer to the information in the instruction manual.

# MAINTENANCE PARTS

FILTER SETS						
Series code	Serial code	Series range	Cabin	First service	Replacement interval	Part no.
HD 13i	H285	1 - 9999	with operator's cabin; with operator's cabin		500 h; 500 h	2896808
			with operator's cabin; with operator's cabin		1000 h; 1000 h	2896812
			without operator's cabin; without operator's cabin		1000 h; 1000 h	2896811
			without operator's cabin; with operator's cabin; without operator's cabin; with operator's cabin	50 h; 50 h		2891054
			without operator's cabin; without operator's cabin		2000 h; 2000 h	2896813
			without operator's cabin; without operator's cabin		500 h; 500 h	2896807
			with operator's cabin; with operator's cabin		2000 h; 2000 h	2896814
HD 14	H201	170 - 3546	without operator's cabin; with operator's cabin; without operator's cabin; with operator's cabin		250 h; 250 h	251496
			with operator's cabin; with operator's cabin		2000 h; 2000 h	2271371
			without operator's cabin; without operator's cabin		2000 h; 2000 h	2171509
			without operator's cabin; with operator's cabin; without operator's cabin; with operator's cabin		500 h; 1000 h; 500 h; 1000 h	2171508
			without operator's cabin; with operator's cabin; without operator's cabin; with operator's cabin	50 h; 50 h		2171507
		3547 - 9999	with operator's cabin; with operator's cabin		500 h; 1000 h; 500 h; 1000 h	2595596
			without operator's cabin; without operator's cabin		2000 h; 2000 h	2595594
			without operator's cabin; without operator's cabin		500 h; 1000 h; 500 h; 1000 h	2595592
			without operator's cabin; with operator's cabin; without operator's cabin; with operator's cabin	50 h; 50 h		2595591
			with operator's cabin; with operator's cabin		2000 h; 2000 h	2595597
			without operator's cabin; with operator's cabin; without operator's cabin; with operator's cabin		250 h; 250 h	251496
			without operator's cabin; with operator's cabin; without operator's cabin; with operator's cabin			
			without operator's cabin; with operator's cabin; without operator's cabin; with operator's cabin			
HD 14i	H231	1 - 9999	without operator's cabin; with operator's cabin; without operator's cabin; with operator's cabin	50 h; 50 h		2461475



FILTER SETS							
Series code	Serial code	Series range	Cabin	First service	Replacement interval	Part no.	
HD 14i	H231	1 - 9999	without operator's cabin; without operator's cabin		500 h; 500 h	2461477	
			without operator's cabin; without operator's cabin		2000 h; 2000 h	2461478	
			with operator's cabin; with operator's cabin		2000 h; 2000 h	2510674	
			without operator's cabin; without operator's cabin		1000 h; 1000 h	2462699	
			with operator's cabin; with operator's cabin		1000 h; 1000 h	2510670	
			with operator's cabin; with operator's cabin		500 h; 500 h	2461480	
	H265	1 - 9999	with operator's cabin; with operator's cabin		500 h; 500 h	2461480	
			with operator's cabin; with operator's cabin		1000 h; 1000 h	2510670	
			without operator's cabin; without operator's cabin		1000 h; 1000 h	2462699	
			without operator's cabin; with operator's cabin; without operator's cabin; with operator's cabin	50 h; 50 h		2461475	
			without operator's cabin; without operator's cabin		2000 h; 2000 h	2461478	
			without operator's cabin; without operator's cabin		500 h; 500 h	2461477	
			with operator's cabin; with operator's cabin		2000 h; 2000 h	2510674	
			H285	1 - 9999	with operator's cabin; with operator's cabin		500 h; 500 h
	with operator's cabin; with operator's cabin				1000 h; 1000 h	2896812	
	without operator's cabin; without operator's cabin				1000 h; 1000 h	2896811	
	without operator's cabin; with operator's cabin; without operator's cabin; with operator's cabin	50 h; 50 h				2891054	
	without operator's cabin; without operator's cabin				2000 h; 2000 h	2896813	
	without operator's cabin; without operator's cabin				500 h; 500 h	2896807	
	with operator's cabin; with operator's cabin				2000 h; 2000 h	2896814	
	HD 14 TT	H208			1 - 157	with operator's cabin; with operator's cabin	
			with operator's cabin; with operator's cabin			500 h; 1000 h; 500 h; 1000 h	2271706
			without operator's cabin; without operator's cabin			2000 h; 2000 h	2171509
			without operator's cabin; without operator's cabin			500 h; 1000 h; 500 h; 1000 h	2171508

Due to possible technical changes, always refer to the information in the instruction manual.

# MAINTENANCE PARTS

FILTER SETS						
Series code	Serial code	Series range	Cabin	First service	Replacement interval	Part no.
HD 14 TT	H208	1 - 157	without operator's cabin; with operator's cabin; without operator's cabin; with operator's cabin	50 h; 50 h		2171507
			without operator's cabin; with operator's cabin; without operator's cabin; with operator's cabin		250 h; 250 h	251496
		158 - 9999	without operator's cabin; with operator's cabin; without operator's cabin; with operator's cabin	50 h; 50 h		2595591
			with operator's cabin; with operator's cabin		2000 h; 2000 h	2595597
			with operator's cabin; with operator's cabin		500 h; 1000 h; 500 h; 1000 h	2595596
			without operator's cabin; without operator's cabin		2000 h; 2000 h	2595594
			without operator's cabin; without operator's cabin		500 h; 1000 h; 500 h; 1000 h	2595592
			without operator's cabin; with operator's cabin; without operator's cabin; with operator's cabin		250 h; 250 h	251496
HD+ 70i	H186	1 - 9999			500 h; 1000 h; 500 h; 1000 h	2318278
					2000 h; 2000 h	2318283
	H272	1 - 9999			500 h; 1000 h; 500 h; 1000 h	2871165
				50 h; 50 h		2871159
					2000 h; 2000 h	2871166
HD+ 80i	H186	1 - 9999			2000 h; 2000 h	2318283
					500 h; 1000 h; 500 h; 1000 h	2318278
	H272	1 - 9999			500 h; 1000 h; 500 h; 1000 h	2871165
					2000 h; 2000 h	2871166
				50 h; 50 h		2871159
HD+ 90	H185	1 - 9999			2000 h; 2000 h	2140976
					500 h; 1000 h; 500 h; 1000 h	2140973
HD+ 90i	H209	1 - 9999			2000 h; 2000 h	2277491
					500 h; 1000 h; 500 h; 1000 h	2277490





FILTER SETS						
Series code	Serial code	Series range	Cabin	First service	Replacement interval	Part no.
HD+ 90	H258	1 - 228			500 h; 1000 h; 500 h; 1000 h	2642114
					2000 h; 2000 h	2642115
		1 - 9999		50 h; 50 h		2642108
			229 - 9999			500 h; 1000 h; 500 h; 1000 h
				2000 h; 2000 h	2972778	
HD+ 90i	H242	1 - 9999			2000 h; 2000 h	2506296
					500 h; 500 h	2506291
HD+ 110	H185	1 - 9999			2000 h; 2000 h	2140976
					500 h; 1000 h; 500 h; 1000 h	2140973
	H258	1 - 228			500 h; 1000 h; 500 h; 1000 h	2642114
					2000 h; 2000 h	2642115
		1 - 9999		50 h; 50 h		2642108
			229 - 9999			500 h; 1000 h; 500 h; 1000 h
				2000 h; 2000 h	2972778	
HD+ 110i	H209	1 - 9999			2000 h; 2000 h	2277491
					500 h; 1000 h; 500 h; 1000 h	2277490
	H242	1 - 9999			2000 h; 2000 h	2506296
					500 h; 500 h	2506291
HD+ 120	H184	1 - 53			500 h; 1000 h; 500 h; 1000 h	2057901
					2000 h; 2000 h	2057903
		54 - 9999			500 h; 1000 h; 500 h; 1000 h	2057901
					2000 h; 2000 h	2140976
HD+ 120i	H207	1 - 9999			500 h; 1000 h; 500 h; 1000 h	2308636
				50 h; 50 h		2308768
					2000 h; 2000 h	2308637
	H243	1 - 9999			2000 h; 2000 h	2543620

Due to possible technical changes, always refer to the information in the instruction manual.

# MAINTENANCE PARTS

FILTER SETS						
Series code	Serial code	Series range	Cabin	First service	Replacement interval	Part no.
HD+ 120i	H243	1 - 9999			500 h; 1000 h; 500 h; 1000 h	2543617
	H274	11 - 9999		50 h; 50 h		2647040
					2000 h; 2000 h	2955612
					500 h; 1000 h; 500 h; 1000 h	2955610
HD+ 140	H184	1 - 53			500 h; 1000 h; 500 h; 1000 h	2057901
					2000 h; 2000 h	2057903
		54 - 9999		500 h; 1000 h; 500 h; 1000 h	2057901	
				2000 h; 2000 h	2140976	
HD+ 140i	H207	1 - 9999			500 h; 1000 h; 500 h; 1000 h	2308636
				50 h; 50 h		2308768
					2000 h; 2000 h	2308637
	H243	1 - 9999			2000 h; 2000 h	2543620
					500 h; 1000 h; 500 h; 1000 h	2543617
	H274	11 - 9999		50 h; 50 h		2647040
					2000 h; 2000 h	2955612
					500 h; 1000 h; 500 h; 1000 h	2955610
HD 70	H187	1 - 613			2000 h; 2000 h	2058013
			50 h; 50 h		2058010	
				500 h; 500 h	2058011	
				1000 h; 1000 h	2058012	
		614 - 1502		1000 h; 1000 h	2249215	
				500 h; 500 h	2249212	
			50 h; 50 h		2249211	
		1502 - 9999		2000 h; 2000 h	2249216	
				2000 h; 2000 h	2561805	
				1000 h; 1000 h	2561804	



FILTER SETS							
Series code	Serial code	Series range	Cabin	First service	Replacement interval	Part no.	
HD 70	H187	1502 - 9999		50 h; 50 h		2561798	
					500 h; 500 h	2561803	
HD 75	H187	1 - 613			1000 h; 1000 h	2058012	
					2000 h; 2000 h	2058013	
					500 h; 500 h	2058011	
				50 h; 50 h		2058010	
		614 - 1502		50 h; 50 h		2249211	
					2000 h; 2000 h	2249216	
					1000 h; 1000 h	2249215	
					500 h; 500 h	2249212	
			1502 - 9999			1000 h; 1000 h	2561804
						2000 h; 2000 h	2561805
					50 h; 50 h		2561798
						500 h; 500 h	2561803
HD 90	H174	1 - 9999		50 h; 50 h		2020489	
					2000 h; 2000 h	2020499	
					1000 h; 1000 h	2020496	
					500 h; 500 h	2020492	
	H181	1 - 1346			1000 h; 1000 h	2060104	
					2000 h; 2000 h	2060105	
					500 h; 500 h	2060103	
				50 h; 50 h		2060101	
			1347 - 9999			1000 h; 1000 h	2561735
					50 h; 50 h		2561732
					500 h; 500 h	2561734	
					2000 h; 2000 h	2561737	

# MAINTENANCE PARTS

FILTER SETS									
Series code	Serial code	Series range	Cabin	First service	Replacement interval	Part no.			
HD 110	H174	1 - 9999		50 h; 50 h		2020489			
					2000 h; 2000 h	2020499			
					1000 h; 1000 h	2020496			
					500 h; 500 h	2020492			
	H181	1 - 1346		50 h; 50 h		2060101			
					500 h; 500 h	2060103			
					1000 h; 1000 h	2060104			
					2000 h; 2000 h	2060105			
		1347 - 9999		50 h; 50 h		2561732			
					500 h; 500 h	2561734			
					1000 h; 1000 h	2561735			
					2000 h; 2000 h	2561737			
HD 120	H275	1 - 9999		50 h; 50 h		2020489			
					2000 h; 2000 h	2020499			
					1000 h; 1000 h	2020496			
					500 h; 500 h	2020492			
	H182	1 - 9999		50 h; 50 h		2060107			
					2000 h; 2000 h	2060112			
					1000 h; 1000 h	2060111			
					500 h; 500 h	2060110			
			HD 130	H275	1 - 9999		50 h; 50 h		2020489
								2000 h; 2000 h	2020499
		1000 h; 1000 h	2020496						
		500 h; 500 h	2020492						
H182	1 - 9999		50 h; 50 h		2060107				
				2000 h; 2000 h	2060112				



FILTER SETS						
Series code	Serial code	Series range	Cabin	First service	Replacement interval	Part no.
HD 130	H182	1 - 9999			1000 h; 1000 h	2060111
					500 h; 500 h	2060110
DV 65	H197	1 - 9999		50 h; 50 h		2050500
					2000 h; 2000 h	2050555
					1000 h; 1000 h	2050503
					500 h; 500 h	2050501
DV 70	H191	1 - 9999		50 h; 50 h		2050500
					2000 h; 2000 h	2050555
					1000 h; 1000 h	2050503
					500 h; 500 h	2050501
DV 85	H198	1 - 9999		50 h; 50 h		2051236
					2000 h; 2000 h	2051250
					1000 h; 1000 h	2051248
					500 h; 500 h	2051237
DV 90	H192	1 - 9999		50 h; 50 h		2051236
					2000 h; 2000 h	2051250
					1000 h; 1000 h	2051248
					500 h; 500 h	2051237
DV+ 70i	H225	1 - 92			500 h; 500 h	2441901
					1000 h; 1000 h	2441903
					2000 h; 2000 h	2441906
		93 - 320			500 h; 500 h	2441901
					1000 h; 1000 h	2541207
					2000 h; 2000 h	2541208
321 - 9999			2000 h; 2000 h	2679298		
			1000 h; 1000 h	2679297		

Due to possible technical changes, always refer to the information in the instruction manual.

# MAINTENANCE PARTS

FILTER SETS						
Series code	Serial code	Series range	Cabin	First service	Replacement interval	Part no.
DV+ 70i	H225	321 - 9999			500 h; 500 h	2441901
					500 h; 500 h	2621775
	H277	1 - 9999		50 h		2777933
					2000 h	2777942
					1000 h	2777941
					500 h	2777940
DV+ 90i	H226	1 - 9999			2000 h; 2000 h	2443484
					500 h; 1000 h; 500 h; 1000 h	2443482
	H246	1 - 9999			2000 h; 2000 h	2577359
					500 h; 1000 h; 500 h; 1000 h	2577355
	H278	1 - 9999		50 h; 50 h		2700652
					500 h; 1000 h; 500 h; 1000 h	2861487
				2000 h; 2000 h	2861488	
HD 150 TT	H183	1 - 9999		50 h; 50 h		2060113
					2000 h; 2000 h	2060116
					1000 h; 1000 h	2060115
					500 h; 500 h	2060114
	H193	1 - 9999		50 h; 50 h		2048055
					2000 h; 2000 h	2048128
					1000 h; 1000 h	2048110
					500 h; 500 h	2048063
HW 90	H123	522 - 541			1000 h; 1000 h	2013756
					2000 h; 2000 h	2013749
					500 h; 500 h	2013780
		542 - 861			1000 h; 1000 h	2013829
				50 h; 50 h		2013815



FILTER SETS							
Series code	Serial code	Series range	Cabin	First service	Replacement interval	Part no.	
HW 90	H123	542 - 861			2000 h; 2000 h	2013817	
					500 h; 500 h	2013830	
		862 - 989				1000 h; 1000 h	2029756
						500 h; 500 h	2029736
						2000 h; 2000 h	2029775
				50 h; 50 h		2029734	
		990 - 1023				1000 h; 1000 h	2052615
						2000 h; 2000 h	2052618
						500 h; 500 h	2052614
				50 h; 50 h		2052612	
		1024 - 1110				2000 h; 2000 h	2058254
						1000 h; 1000 h	2058253
						500 h; 500 h	2058252
				50 h; 50 h		2058251	
		1111 - 9999				50 h; 50 h	2370197
						500 h; 500 h	2370199
						1000 h; 1000 h	2370201
						2000 h; 2000 h	2370202
HP 280	H249	1 - 9999		50 h; 50 h		2647040	
					2000 h; 2000 h	2647045	
					500 h; 1000 h; 500 h; 1000 h	2647044	
HP 240	H283	1 - 27			2000 h; 2000 h	2647045	
					500 h; 1000 h; 500 h; 1000 h	2647044	
		1 - 9999		50 h; 50 h		2647040	
		28 - 9999			2000 h; 2000 h	2958996	
					500 h; 1000 h; 500 h; 1000 h	2958995	

Due to possible technical changes, always refer to the information in the instruction manual.

# MAINTENANCE PARTS

FILTER SETS						
Series code	Serial code	Series range	Cabin	First service	Replacement interval	Part no.
HP 280i	H271	1 - 9999		150 h; 150 h		2662356
					2000 h; 2000 h	2662358
					500 h; 1000 h; 500 h; 1000 h	2662357
HP 240i	H282	1 - 9999			500 h; 1000 h; 500 h; 1000 h	2662357
					2000 h; 2000 h	2662358
				50 h; 50 h		2662356
GRW 280i	H212	1 - 9999			2000 h; 2000 h	2283770
					500 h; 1000 h; 500 h; 1000 h	2283765
	H244	1 - 9999			500 h; 1000 h; 500 h; 1000 h	2618572
				50 h; 50 h		2622228
					2000 h; 2000 h	2619004
GRW 180i	H228	1 - 9999			500 h; 1000 h; 500 h; 1000 h	2457218
					2000 h; 2000 h	2457222
GRW 280	H195, H229	1 - 9999			2000 h; 2000 h	2160577
					500 h; 1000 h; 500 h; 1000 h	2160576
GRW 10	H178	1 - 9999		50 h; 50 h		2060117
					2000 h; 2000 h	2060121
					1000 h; 1000 h	2060120
					500 h; 500 h	2060119
	H190	1 - 1974		50 h; 50 h		2047980
					500 h; 500 h	2047998
					1000 h; 1000 h	2048005
					2000 h; 2000 h	2048025
		1975 - 9999		50 h; 50 h		2449647
					500 h; 500 h	2450196
					1000 h; 1000 h	2450200





FILTER SETS						
Series code	Serial code	Series range	Cabin	First service	Replacement interval	Part no.
GRW 10	H190	1975 - 9999			2000 h; 2000 h	2450209
GRW 15	H178	1 - 9999		50 h; 50 h		2060117
					2000 h; 2000 h	2060121
					1000 h; 1000 h	2060120
					500 h; 500 h	2060119
	H190	1 - 1974		50 h; 50 h		2047980
					500 h; 500 h	2047998
					1000 h; 1000 h	2048005
					2000 h; 2000 h	2048025
		1975 - 9999		50 h; 50 h		2449647
					500 h; 500 h	2450196
					1000 h; 1000 h	2450200
					2000 h; 2000 h	2450209
GRW 18	H178	1 - 9999		50 h; 50 h		2060117
					2000 h; 2000 h	2060121
					1000 h; 1000 h	2060120
					500 h; 500 h	2060119
	H190	1 - 1974		50 h; 50 h		2047980
					500 h; 500 h	2047998
					1000 h; 1000 h	2048005
					2000 h; 2000 h	2048025
		1975 - 9999		50 h; 50 h		2449647
					500 h; 500 h	2450196
					1000 h; 1000 h	2450200
					2000 h; 2000 h	2450209
GRW 21	H190	1 - 1974		50 h; 50 h		2047980

Due to possible technical changes, always refer to the information in the instruction manual.

# MAINTENANCE PARTS

FILTER SETS							
Series code	Serial code	Series range	Cabin	First service	Replacement interval	Part no.	
GRW 21	H190	1 - 1974			500 h; 500 h	2047998	
					1000 h; 1000 h	2048005	
					2000 h; 2000 h	2048025	
		1975 - 9999			50 h; 50 h		2449647
						500 h; 500 h	2450196
						1000 h; 1000 h	2450200
						2000 h; 2000 h	2450209
GRW 24	H190	1 - 1974		50 h; 50 h		2047980	
					500 h; 500 h	2047998	
					1000 h; 1000 h	2048005	
					2000 h; 2000 h	2048025	
		1975 - 9999			50 h; 50 h		2449647
						500 h; 500 h	2450196
						1000 h; 1000 h	2450200
HP 180i	H250	1 - 9999		50 h		2647040	
					2000 h	2830874	
					500 h; 1000 h	2830866	
HC 100i	H252	1 - 9999		50 h		3086719	
			with air-conditioning system		2000 h	3086723	
			without air-conditioning system		2000 h	3086721	
					500 h; 1000 h	3086720	
HC 110i	H252	1 - 9999		50 h		3086719	
			with air-conditioning system		2000 h	3086723	
			without air-conditioning system		2000 h	3086721	
					500 h; 1000 h	3086720	



FILTER SETS						
Series code	Serial code	Series range	Cabin	First service	Replacement interval	Part no.
HC 120i	H252	1 - 9999		50 h		3086719
			with air-conditioning system		2000 h	3086723
			without air-conditioning system		2000 h	3086721
					500 h; 1000 h	3086720
HC 130i	H254	1 - 9999		50 h		3086729
			with air-conditioning system		2000 h	3086734
			without air-conditioning system		2000 h	3086733
					500 h; 1000 h	3086732
HC 140i	H254	1 - 9999		50 h		3086729
			with air-conditioning system		2000 h	3086734
			without air-conditioning system		2000 h	3086733
					500 h; 1000 h	3086732
HC 160i	H254	1 - 9999		50 h		3086729
			with air-conditioning system		2000 h	3086734
			without air-conditioning system		2000 h	3086733
					500 h; 1000 h	3086732
HC 130	H255	1 - 9999	without air-conditioning system		2000 h	3086740
				50 h		3086735
					500 h; 1000 h	3086738
			with air-conditioning system		2000 h	3086741
HD+ 110i	H273	1 - 9999			500 h; 1000 h	2970660
				50 h		2912631
					2000 h	2970662
HD+ 90i	H273	1 - 9999			500 h; 1000 h	2970660
				50 h		2912631
					2000 h	2970662

Due to possible technical changes, always refer to the information in the instruction manual.

# MAINTENANCE PARTS

FILTER SETS						
Series code	Serial code	Series range	Cabin	First service	Replacement interval	Part no.
HC 50i	H287	1 - 9999			2000 h	3123680
				50 h		3123678
					500 h; 1000 h	3123679
HC 70i	H287	1 - 9999			2000 h	3123680
				50 h		3123678
					500 h; 1000 h	3123679
HX 70i	H297	1 - 9999			1000 h	2777941
					500 h	2777940
				50 h		2777933
					2000 h	2777942
HX 90i	H299	1 - 9999			2000 h	2861488
				50 h		2700652
					500 h; 1000 h	2861487
HD+ 70i	H302	1 - 9999			2000 h	2871166
				50 h		2871159
					500 h; 1000 h	2871165
HD+ 80i	H302	1 - 9999			2000 h	2871166
				50 h		2871159
					500 h; 1000 h	2871165
HD+ 110i	H303	1 - 9999			500 h; 1000 h	2970660
				50 h		2912631
					2000 h	2970662
HD+ 90i	H303	1 - 9999			500 h; 1000 h	2970660
				50 h		2912631
					2000 h	2970662
HD+ 120i	H304	1 - 9999			2000 h	2955612



FILTER SETS						
Series code	Serial code	Series range	Cabin	First service	Replacement interval	Part no.
HD+ 120i	H304	1 - 9999		50 h		2647040
					500 h; 1000 h	2955610
HD+ 140i	H304	1 - 9999			2000 h	2955612
				50 h		2647040
					500 h; 1000 h	2955610

## MAINTENANCE PACKAGES

Genuine WIRTGEN GROUP maintenance packages are our comprehensive all-round package and contain all the air, fuel, engine oil and hydraulic filters as well as lubricants, oils and seals required for the machine's first service or the specified replacement interval, depending on the machine type. In order to ensure that the machine performs at its best, we recommend that you adhere to the specified replacement intervals.



MAINTENANCE PACKAGES									
Series code	Serial code	Series range	Version	Cabin	First service	Replacement interval	Part no.		
H 5i	H222	1 - 9999			50 h		2504364		
						2000 h	2504375		
						1000 h	2504371		
						500 h	2504367		
	H270	1 - 718	719 - 9999				1000 h	2504371	
							500 h	2504367	
						50 h		2504364	
							2000 h	2504375	
								500 h	3035096
								2000 h	3035098
							50 h		3035094

Due to possible technical changes, always refer to the information in the instruction manual.

# MAINTENANCE PARTS

MAINTENANCE PACKAGES							
Series code	Serial code	Series range	Version	Cabin	First service	Replacement interval	Part no.
H 5i	H270	719 - 9999				1000 h	3035097
H 7i	H222	1 - 9999			50 h		2504364
						2000 h	2504375
						1000 h	2504371
						500 h	2504367
	H270	1 - 718				1000 h	2504371
						500 h	2504367
					50 h		2504364
						2000 h	2504375
					50 h		3035094
						2000 h	3035098
H 10i	H235	1 - 2314				1000 h	2591871
						500 h	2591870
					50 h		2591869
						2000 h	2591872
		2315 - 9999				1000 h	3035104
					50 h		3035100
						500 h	3035103
						2000 h	3035105
	H266	1 - 9999				500 h	3035103
						2000 h	3035105
					50 h		3035100
						1000 h	3035104
H284	1 - 9999				500 h	3035103	



MAINTENANCE PACKAGES									
Series code	Serial code	Series range	Version	Cabin	First service	Replacement interval	Part no.		
H 10i	H284	1 - 9999			50 h		3035100		
						1000 h	3035104		
						2000 h	3035105		
H 11i	H211	1 - 9999			50 h		2410440		
						2000 h	2410443		
						1000 h	2410442		
						500 h	2410441		
	H235	1 - 2314				1000 h	2591871		
					50 h		2591869		
						500 h	2591870		
						2000 h	2591872		
		2315 - 9999				50 h		3035100	
							2000 h	3035105	
							1000 h	3035104	
							500 h	3035103	
	H266	1 - 9999				2000 h	3035105		
						500 h	3035103		
						1000 h	3035104		
					50 h		3035100		
		H284	1 - 9999					500 h	3035103
							2000 h	3035105	
						50 h		3035100	
							1000 h	3035104	
	H 11ix	H210	1 - 9999			50 h		2410453	
						2000 h	2410459		
						1000 h	2410457		

Due to possible technical changes, always refer to the information in the instruction manual.

# MAINTENANCE PARTS

MAINTENANCE PACKAGES							
Series code	Serial code	Series range	Version	Cabin	First service	Replacement interval	Part no.
H 11ix	H210	1 - 9999				500 h	2410455
H 12i	H235	1 - 2314				1000 h	2591871
						500 h	2591870
					50 h	2591869	
					2000 h	2591872	
		2315 - 9999			2000 h	3035105	
					500 h	3035103	
					1000 h	3035104	
					50 h	3035100	
	H266	1 - 9999			50 h	3035100	
					50 h	3035100	
					2000 h	3035105	
					1000 h	3035104	
H284		1 - 9999			500 h	3035103	
					2000 h	3035105	
					1000 h	3035104	
					50 h	3035100	
H 13i	H211	1 - 9999				2000 h	2410442
						500 h	2410441
					50 h	2410440	
					2000 h	2410443	
	H234	1 - 9999			50 h	2591869	
					2000 h	2591878	
					1000 h	2591875	
					500 h	2591873	
	H267	1 - 83				500 h	2591873





MAINTENANCE PACKAGES								
Series code	Serial code	Series range	Version	Cabin	First service	Replacement interval	Part no.	
H 13i	H267	1 - 83				1000 h	2591875	
					50 h		2591869	
						2000 h	2591878	
		84 - 9999			500 h		3035108	
					50 h		3035106	
					2000 h		3035111	
H 13ix	H210	1 - 9999			50 h		2410453	
						2000 h	2410459	
					1000 h		2410457	
					500 h		2410455	
H 14i	H234	1 - 9999			50 h		2591869	
						2000 h	2591878	
						1000 h	2591875	
						500 h	2591873	
	H267	1 - 83				1000 h	2591875	
						500 h	2591873	
					50 h		2591869	
						2000 h	2591878	
		84 - 9999					500 h	3035108
							2000 h	3035111
					50 h		3035106	
						1000 h	3035109	
H 16i	H211	1 - 9999			50 h		2410440	
						2000 h	2410443	
						1000 h	2410442	

Due to possible technical changes, always refer to the information in the instruction manual.

# MAINTENANCE PARTS

MAINTENANCE PACKAGES								
Series code	Serial code	Series range	Version	Cabin	First service	Replacement interval	Part no.	
H 16i	H211	1 - 9999				500 h	2410441	
	H234	1 - 9999			50 h		2591869	
						2000 h	2591881	
						1000 h	2591875	
						500 h	2591873	
	H267	1 - 83					1000 h	2591875
						50 h	2591869	
						500 h	2591873	
						2000 h	2591881	
		84 - 9999					1000 h	3035109
							2000 h	3035111
							500 h	3035108
							50 h	3035106
	H 18i	H202	1 - 9999				2000 h	2410451
						1000 h	2410449	
						500 h	2410447	
H233		1 - 9999					500 h	2591891
						50 h	2713092	
							2000 h	2591895
							1000 h	2591893
H268		1 - 192					2000 h	2591895
							1000 h	2591893
							500 h	2591891
						150 h	2713092	
		193 - 9999					1000 h	3035120
							500 h	3035118



MAINTENANCE PACKAGES								
Series code	Serial code	Series range	Version	Cabin	First service	Replacement interval	Part no.	
H 18i	H268	193 - 9999				2000 h	3035121	
						50 h	3035114	
H 20i	H202	1 - 9999				500 h	2410447	
						2000 h	2410451	
						1000 h	2410449	
	H233	1 - 9999					500 h	2591891
							50 h	2713092
							2000 h	2591895
							1000 h	2591893
	H268	1 - 192					2000 h	2591895
							1000 h	2591893
							500 h	2591891
							150 h	2713092
							1000 h	3035120
							500 h	3035118
							50 h	3035114
	2000 h	3035121						
H 25i	H202	1 - 9999				500 h	2410447	
						2000 h	2410451	
						1000 h	2410449	
	H233	1 - 9999					500 h	2591891
							1000 h	2591893
							2000 h	2591895
							50 h	2713092
	H268	1 - 192					2000 h	2591895
							1000 h	2591893

Due to possible technical changes, always refer to the information in the instruction manual.

# MAINTENANCE PARTS

MAINTENANCE PACKAGES								
Series code	Serial code	Series range	Version	Cabin	First service	Replacement interval	Part no.	
H 25i	H268	1 - 192				500 h	2591891	
					150 h		2713092	
		193 - 9999					1000 h	3035120
						50 h		3035114
							2000 h	3035121
							500 h	3035118
HC 170i	H256	1 - 9999				2000 h	3035128	
						1000 h	3035126	
						500 h	3035124	
					50 h		3035123	
HC 200i	H256	1 - 9999			50 h		3035123	
						500 h	3035124	
						1000 h	3035126	
						2000 h	3035128	
HC 250i	H256	1 - 9999			50 h		3035123	
						2000 h	3035128	
						1000 h	3035126	
						500 h	3035124	
HC 250i VC	H256	1 - 9999			50 h		3035123	
						500 h	3035124	
						2000 h	3035128	
						1000 h	3035126	
3205	H188	53 - 9999				500 h	2410395	
					50 h		2410479	
						2000 h	2410398	
						1000 h	2410396	



MAINTENANCE PACKAGES									
Series code	Serial code	Series range	Version	Cabin	First service	Replacement interval	Part no.		
3307	H189	1127 - 9999				500 h	2410400		
					50 h		2410399		
						2000 h	2410403		
						1000 h	2410402		
3410	H179	1207 - 2443			50 h		2410405		
						500 h	2410406		
						1000 h	2410407		
						2000 h	2410408		
		2444 - 9999				50 h		2504286	
							500 h	2504288	
							1000 h	2504290	
							2000 h	2504292	
	H206	81 - 9999				50 h		2410410	
							2000 h	2410416	
							1000 h	2410414	
							500 h	2410412	
		H217	1 - 261				50 h		2504341
								500 h	2504344
								1000 h	2504349
								2000 h	2504352
262 - 9999					50 h		2504354		
						500 h	2504355		
						1000 h	2504356		
						2000 h	2504357		
3411	H179	1207 - 2443				500 h	2410406		
							2000 h	2410408	

Due to possible technical changes, always refer to the information in the instruction manual.

# MAINTENANCE PARTS

MAINTENANCE PACKAGES										
Series code	Serial code	Series range	Version	Cabin	First service	Replacement interval	Part no.			
3411	H179	1207 - 2443				1000 h	2410407			
					50 h		2410405			
		2444 - 9999					500 h	2504288		
							50 h	2504286		
								2000 h	2504292	
								1000 h	2504290	
	H206	81 - 9999				50 h		2410410		
							2000 h	2410416		
								1000 h	2410414	
								500 h	2410412	
	H217	1 - 261				50 h		2504341		
							500 h	2504344		
								1000 h	2504349	
								2000 h	2504352	
		262 - 9999					50 h		2504354	
								500 h	2504355	
								1000 h	2504356	
								2000 h	2504357	
			H221	1 - 9999				50 h		2591863
									2000 h	2591867
								1000 h	2591866	
								500 h	2591865	
	3412	H180	1357 - 3370			50 h		2410418		
								500 h	2410420	
								1000 h	2410422	
								2000 h	2410424	



MAINTENANCE PACKAGES								
Series code	Serial code	Series range	Version	Cabin	First service	Replacement interval	Part no.	
3412	H180	3371 - 9999				2000 h	2504503	
					50 h		2504504	
						500 h	2504506	
						1000 h	2504507	
3414	H180	1357 - 3370			50 h		2410418	
						500 h	2410420	
						1000 h	2410422	
						2000 h	2410424	
		3371 - 9999					2000 h	2504503
					50 h			2504504
							500 h	2504506
							1000 h	2504507
3516	H176	1502 - 2488				1000 h	2410432	
						500 h	2410429	
					50 h		2410428	
						2000 h	2410434	
		2489 - 9999					1000 h	2504314
							500 h	2504313
					50 h			2504312
							2000 h	2504316
3518	H176	1502 - 2488			50 h		2410428	
						500 h	2410429	
						1000 h	2410432	
						2000 h	2410434	
		2489 - 9999			50 h			2504312
							500 h	2504313

Due to possible technical changes, always refer to the information in the instruction manual.

# MAINTENANCE PARTS

MAINTENANCE PACKAGES								
Series code	Serial code	Series range	Version	Cabin	First service	Replacement interval	Part no.	
3518	H176	2489 - 9999				1000 h	2504314	
						2000 h	2504316	
3520	H176	1502 - 2488			50 h		2410428	
						500 h	2410429	
						1000 h	2410432	
						2000 h	2410434	
			2489 - 9999			50 h		2504312
						500 h	2504313	
						1000 h	2504314	
						2000 h	2504316	
3625	H177	59 - 186			50 h		2410435	
						1000 h	2410438	
						2000 h	2410439	
						500 h	2410437	
			187 - 9999				2000 h	2504336
						1000 h	2504335	
						50 h	2504332	
						500 h	2504334	
HD 8	H199	221 - 2090			50 h		2410350	
						500 h; 1000 h	2410360	
						250 h	2410355	
						2000 h	2410369	
			2091 - 9999				2000 h	2410372
						500 h; 1000 h	2410364	
						50 h	2410352	
HD 10C	H199	221 - 2090			50 h	2410350		





MAINTENANCE PACKAGES								
Series code	Serial code	Series range	Version	Cabin	First service	Replacement interval	Part no.	
HD 10C	H199	221 - 2090				500 h; 1000 h	2410360	
						250 h	2410355	
						2000 h	2410369	
		2091 - 9999					2000 h	2410372
							500 h; 1000 h	2410364
						50 h		2410352
HD 8	H263	1 - 9999				500 h	2928995	
					50 h		2410352	
						1000 h	2410364	
						2000 h	2410372	
HD 10C	H263	1 - 9999				1000 h	2410364	
						2000 h	2410372	
						500 h	2928995	
					50 h		2410352	
HD 10	H230	4323 - 9999				500 h; 1000 h	2410380	
					50 h		2410483	
						2000 h	2410386	
	H262	1 - 9999				2000 h	2410386	
						500 h; 1000 h	2410380	
					50 h		2410483	
HD 10i	H251	1 - 9999				2000 h	2839360	
					50 h		2839355	
						1000 h	2839358	
						500 h	2839356	
HD 12	H230	4323 - 9999				500 h; 1000 h	2410380	
					50 h		2410483	

Due to possible technical changes, always refer to the information in the instruction manual.

# MAINTENANCE PARTS

MAINTENANCE PACKAGES							
Series code	Serial code	Series range	Version	Cabin	First service	Replacement interval	Part no.
HD 12	H230	4323 - 9999				2000 h	2410386
	H262	1 - 9999				500 h; 1000 h	2410380
					50 h		2410483
						2000 h	2410386
HD 12i	H251	1 - 9999				500 h	2839356
					50 h		2839355
						1000 h	2839358
						2000 h	2839360
HD 13	H201	170 - 3546		without operator's cabin		500 h; 1000 h	2410456
				with operator's cabin		500 h; 1000 h	2504443
				without operator's cabin; with operator's cabin	50 h		2410485
				without operator's cabin; with operator's cabin		250 h	2410464
				without operator's cabin		2000 h	2410394
				with operator's cabin		2000 h	2410392
		3547 - 9999		with operator's cabin		500 h; 1000 h	2593837
				without operator's cabin; with operator's cabin		250 h	2410464
				without operator's cabin; with operator's cabin	50 h		2593827
				without operator's cabin		2000 h	2593840
				with operator's cabin		2000 h	2593839
				without operator's cabin		500 h; 1000 h	2593838
HD 13i	H231	1 - 9999		without operator's cabin; with operator's cabin	50 h		2504358



MAINTENANCE PACKAGES							
Series code	Serial code	Series range	Version	Cabin	First service	Replacement interval	Part no.
HD 13i	H231	1 - 9999		with operator's cabin		500 h	2504359
				with operator's cabin		1000 h	2504360
				without operator's cabin		2000 h	2504669
				without operator's cabin		500 h	2504662
				without operator's cabin		1000 h	2504667
				with operator's cabin		2000 h	2504361
	H265	1 - 9999		with operator's cabin		500 h	2504359
				without operator's cabin		1000 h	2504667
				with operator's cabin		2000 h	2504361
				with operator's cabin		1000 h	2504360
				without operator's cabin		2000 h	2504669
				without operator's cabin		500 h	2504662
				without operator's cabin; with operator's cabin	50 h		2504358
	H285	1 - 9999		without operator's cabin		1000 h	2929004
				with operator's cabin		1000 h	2929006
				with operator's cabin		500 h	2929001
				without operator's cabin; with operator's cabin	50 h		2928997
				without operator's cabin		2000 h	2929021
				without operator's cabin		500 h	2928999
				with operator's cabin		2000 h	2929024
	HD 14	H201	170 - 3546		with operator's cabin		2000 h
				with operator's cabin		500 h; 1000 h	2504443
				without operator's cabin; with operator's cabin	50 h		2410485

Due to possible technical changes, always refer to the information in the instruction manual.

# MAINTENANCE PARTS

MAINTENANCE PACKAGES							
Series code	Serial code	Series range	Version	Cabin	First service	Replacement interval	Part no.
HD 14	H201	170 - 3546		without operator's cabin; with operator's cabin		250 h	2410464
				without operator's cabin		500 h; 1000 h	2410456
				without operator's cabin		2000 h	2410394
		3547 - 9999		without operator's cabin; with operator's cabin		250 h	2410464
				without operator's cabin		2000 h	2593840
				with operator's cabin		2000 h	2593839
				without operator's cabin		500 h; 1000 h	2593838
				with operator's cabin		500 h; 1000 h	2593837
				without operator's cabin; with operator's cabin	50 h		2593827
HD 14i	H231	1 - 9999		without operator's cabin; with operator's cabin	50 h		2504358
				with operator's cabin		500 h	2504359
				with operator's cabin		1000 h	2504360
				without operator's cabin		2000 h	2504669
				without operator's cabin		500 h	2504662
				without operator's cabin		1000 h	2504667
				with operator's cabin		2000 h	2504361
	H265	1 - 9999		without operator's cabin		2000 h	2504669
				without operator's cabin		1000 h	2504667
				with operator's cabin		2000 h	2504361
				with operator's cabin		1000 h	2504360
				without operator's cabin; with operator's cabin	50 h		2504358



MAINTENANCE PACKAGES								
Series code	Serial code	Series range	Version	Cabin	First service	Replacement interval	Part no.	
HD 14i	H265	1 - 9999		without operator's cabin		500 h	2504662	
				with operator's cabin		500 h	2504359	
	H285	1 - 9999		without operator's cabin; with operator's cabin	50 h			2928997
				without operator's cabin		1000 h		2929004
				without operator's cabin		500 h		2928999
				with operator's cabin		500 h		2929001
				with operator's cabin		2000 h		2929024
				without operator's cabin		2000 h		2929021
				with operator's cabin		1000 h		2929006
HD 14 TT	H208	1 - 157		with operator's cabin		2000 h	2410411	
				without operator's cabin		2000 h	2410413	
				with operator's cabin		500 h; 1000 h	2410458	
				without operator's cabin; with operator's cabin	50 h		2410489	
				without operator's cabin; with operator's cabin		250 h	2410492	
				without operator's cabin		500 h; 1000 h	2504443	
		158 - 9999		without operator's cabin; with operator's cabin		250 h		2410492
				without operator's cabin; with operator's cabin	50 h			2593827
				with operator's cabin		500 h; 1000 h		2593837
				without operator's cabin		500 h; 1000 h		2593838
				with operator's cabin		2000 h		2593843
				without operator's cabin		2000 h		2593844

Due to possible technical changes, always refer to the information in the instruction manual.

# MAINTENANCE PARTS

MAINTENANCE PACKAGES							
Series code	Serial code	Series range	Version	Cabin	First service	Replacement interval	Part no.
HD+ 70i	H186	1 - 9999	Machine without unsplit vibratory drum			1000 h	2839398
			Machine with two unsplit vibratory drums			2000 h	2410354
						500 h	2410353
			Machine with one unsplit vibratory drum			2000 h	2410356
			Machine with one unsplit vibratory drum			1000 h	2839394
			Machine with two unsplit vibratory drums			1000 h	2839390
			Machine without unsplit vibratory drum			2000 h	2410359
	H272	1 - 9999	Machine without unsplit vibratory drum			2000 h	2410359
			Machine with two unsplit vibratory drums			2000 h	2410354
						500 h	2410353
			Machine with one unsplit vibratory drum			1000 h	2839394
			Machine without unsplit vibratory drum			1000 h	2839398
			Machine with two unsplit vibratory drums			1000 h	2839390
			Machine with one unsplit vibratory drum			2000 h	2410356



MAINTENANCE PACKAGES							
Series code	Serial code	Series range	Version	Cabin	First service	Replacement interval	Part no.
HD+ 80i	H186	1 - 9999	Machine without unsplit vibratory drum			2000 h	2410359
			Machine with one unsplit vibratory drum			2000 h	2410356
						500 h	2410353
			Machine with two unsplit vibratory drums			1000 h	2839390
			Machine with two unsplit vibratory drums			2000 h	2410354
			Machine without unsplit vibratory drum			1000 h	2839398
			Machine with one unsplit vibratory drum			1000 h	2839394
	H272	1 - 9999	Machine with one unsplit vibratory drum			2000 h	2410356
			Machine without unsplit vibratory drum			1000 h	2839398
			Machine with two unsplit vibratory drums			1000 h	2839390
			Machine without unsplit vibratory drum			2000 h	2410359
			Machine with one unsplit vibratory drum			1000 h	2839394
			Machine with two unsplit vibratory drums			2000 h	2410354
						500 h	2410353

Due to possible technical changes, always refer to the information in the instruction manual.

# MAINTENANCE PARTS

MAINTENANCE PACKAGES							
Series code	Serial code	Series range	Version	Cabin	First service	Replacement interval	Part no.
HD+ 90	H185	1 - 9999	Machine with one unsplit vibratory drum			2000 h	2410366
			Machine without unsplit vibratory drum			2000 h	2410367
			Machine with two unsplit vibratory drums			2000 h	2410363
						500 h; 1000 h	2410362
HD+ 90i	H209	1 - 9999	Machine without unsplit vibratory drum			2000 h	2410377
			Machine with one unsplit vibratory drum			2000 h	2410375
			Machine with two unsplit vibratory drums			2000 h	2410371
			Machine with one unsplit vibratory drum			2000 h	2410374
						500 h; 1000 h	2410370
HD+ 90	H258	1 - 228	Machine with one unsplit vibratory drum			2000 h	2410366
			Machine with two unsplit vibratory drums			2000 h	2410363
						500 h; 1000 h	2410362
		229 - 9999	Machine without unsplit vibratory drum			2000 h	2410367
						500 h	3102839
			Machine with one unsplit vibratory drum			2000 h	3102846





MAINTENANCE PACKAGES								
Series code	Serial code	Series range	Version	Cabin	First service	Replacement interval	Part no.	
HD+ 90	H258	229 - 9999	Machine with two unsplit vibratory drums			2000 h	3102844	
			Machine with one unsplit vibratory drum			2000 h	3102845	
			Machine without unsplit vibratory drum			1000 h	3102842	
			Machine with two unsplit vibratory drums			1000 h	3102840	
			Machine with one unsplit vibratory drum			1000 h	3102841	
HD+ 90i	H242	1 - 9999				500 h; 1000 h	2531738	
			Machine without unsplit vibratory drum			2000 h	2531743	
			Machine with one unsplit vibratory drum			2000 h	2531741	
			Machine with two unsplit vibratory drums			2000 h	2531740	
	H241	1 - 9999				50 h		2651359
							500 h	2651361
			Machine without unsplit vibratory drum			2000 h	2651370	
			Machine with two unsplit vibratory drums			2000 h	2651366	
			Machine with one unsplit vibratory drum			2000 h	2651367	
							1000 h	2651363

Due to possible technical changes, always refer to the information in the instruction manual.

# MAINTENANCE PARTS

MAINTENANCE PACKAGES							
Series code	Serial code	Series range	Version	Cabin	First service	Replacement interval	Part no.
HD+ 90i PH	H276	1 - 9999			50 h		2651359
						1000 h	2651363
			Machine with one unsplit vibratory drum			2000 h	2651367
			Machine without unsplit vibratory drum			2000 h	2651370
						500 h	2651361
			Machine with two unsplit vibratory drums			2000 h	2651366
HD+ 110	H185	1 - 9999	Machine without unsplit vibratory drum			2000 h	2410367
			Machine with one unsplit vibratory drum			2000 h	2410366
			Machine with two unsplit vibratory drums			2000 h	2410363
						500 h; 1000 h	2410362
	H258	1 - 228	Machine with two unsplit vibratory drums			2000 h	2410363
			Machine without unsplit vibratory drum			2000 h	2410367
						500 h; 1000 h	2410362
		229 - 9999	Machine with one unsplit vibratory drum			2000 h	2410366
			Machine with two unsplit vibratory drums			1000 h	3102840
						500 h	3102839



MAINTENANCE PACKAGES							
Series code	Serial code	Series range	Version	Cabin	First service	Replacement interval	Part no.
HD+ 110	H258	229 - 9999	Machine without unsplit vibratory drum			1000 h	3102842
			Machine with one unsplit vibratory drum			2000 h	3102845
			Machine with two unsplit vibratory drums			2000 h	3102844
			Machine with one unsplit vibratory drum			2000 h	3102846
			Machine with one unsplit vibratory drum			1000 h	3102841
HD+ 110i	H209	1 - 9999				500 h; 1000 h	2410370
			Machine with one unsplit vibratory drum			2000 h	2410375
			Machine with one unsplit vibratory drum			2000 h	2410374
			Machine with two unsplit vibratory drums			2000 h	2410371
	H242	1 - 9999				500 h; 1000 h	2531738
			Machine with one unsplit vibratory drum			2000 h	2531741
Machine with two unsplit vibratory drums					2000 h	2531740	
HD+ 120	H184	54 - 9999				500 h; 1000 h	2410381
			Machine with one unsplit vibratory drum			2000 h	2410385

# MAINTENANCE PARTS

MAINTENANCE PACKAGES								
Series code	Serial code	Series range	Version	Cabin	First service	Replacement interval	Part no.	
HD+ 120	H184	54 - 9999	Machine with two unsplit vibratory drums			2000 h	2410383	
HD+ 120i	H207	1 - 9999				500 h; 1000 h	2410388	
			Machine with one unsplit vibratory drum			2000 h	2410391	
			Machine with two unsplit vibratory drums			2000 h	2410389	
	H243	1 - 9999	Machine with two unsplit vibratory drums				1000 h	3102853
			Machine with two unsplit vibratory drums				2000 h	2591907
			Machine with one unsplit vibratory drum				2000 h	2591905
							500 h	2591903
							500 h	3035129
			Machine with one unsplit vibratory drum				1000 h	3035131
	H274	11 - 9999	Machine with one unsplit vibratory drum				2000 h	3035136
			Machine with two unsplit vibratory drums				2000 h	3035133
			Machine with two unsplit vibratory drums				1000 h	3153209
							500 h; 1000 h	2410381
	HD+ 140	H184	54 - 9999	Machine with two unsplit vibratory drums			2000 h	2410387
								500 h; 1000 h



MAINTENANCE PACKAGES								
Series code	Serial code	Series range	Version	Cabin	First service	Replacement interval	Part no.	
HD+ 140	H184	54 - 9999	Machine with one unsplit vibratory drum			2000 h	2410385	
HD+ 140i	H207	1 - 9999				500 h; 1000 h	2410388	
			Machine with two unsplit vibratory drums			2000 h	2410393	
			Machine with one unsplit vibratory drum			2000 h	2410391	
	H243	1 - 9999	Machine with two unsplit vibratory drums				1000 h	3102853
			Machine with two unsplit vibratory drums				2000 h	2591908
			Machine with one unsplit vibratory drum				2000 h	2591905
							500 h	2591903
	H274	11 - 9999	Machine with one unsplit vibratory drum				2000 h	3035135
			Machine with two unsplit vibratory drums				2000 h	3035136
			Machine with one unsplit vibratory drum				1000 h	3035131
							500 h	3035129
			Machine with two unsplit vibratory drums				1000 h	3153207
	HD 70	H187	875 - 1502	Machine with two unsplit vibratory drums			1000 h	2410431

# MAINTENANCE PARTS

MAINTENANCE PACKAGES									
Series code	Serial code	Series range	Version	Cabin	First service	Replacement interval	Part no.		
HD 70	H187	875 - 1502	Machine with two unsplit vibratory drums			2000 h	2410415		
						50 h	2839361		
						500 h	2410460		
		1503 - 9999	Machine with two unsplit vibratory drums			1000 h	2839366		
						50 h	2839363		
						500 h	2839364		
			Machine with two unsplit vibratory drums			2000 h	2839370		
		1503				50 h	2839363		
		HD 75	H187	875 - 1502	Machine without unsplit vibratory drum			1000 h	2410450
					Machine with one unsplit vibratory drum			1000 h	2410433
Machine without unsplit vibratory drum						2000 h	2410425		
Machine with one unsplit vibratory drum						2000 h	2410417		
						50 h	2839361		
						500 h	2410460		
1503 - 9999	Machine with one unsplit vibratory drum					2000 h	2839371		
						500 h	2839364		
	Machine without unsplit vibratory drum					2000 h	2839374		



MAINTENANCE PACKAGES							
Series code	Serial code	Series range	Version	Cabin	First service	Replacement interval	Part no.
HD 75	H187	1503 - 9999	Machine without unsplit vibratory drum			1000 h	2839369
			Machine with one unsplit vibratory drum			1000 h	2839367
HD 90	H181	1889 - 3437	Machine with one unsplit vibratory drum			1000 h	2410344
			Machine with one unsplit vibratory drum			2000 h	2410347
			Machine with two unsplit vibratory drums			2000 h	2410427
			Machine with two unsplit vibratory drums			1000 h	2410452
						500 h	2410462
					50 h		2410490
		Machine without unsplit vibratory drum			1000 h	2504511	
		Machine without unsplit vibratory drum			2000 h	2504512	
		3438 - 9999	Machine with two unsplit vibratory drums			2000 h	2839385
			Machine with one unsplit vibratory drum			2000 h	2839387
					50 h		2839375
			Machine with one unsplit vibratory drum			1000 h	2839380

# MAINTENANCE PARTS

MAINTENANCE PACKAGES							
Series code	Serial code	Series range	Version	Cabin	First service	Replacement interval	Part no.
HD 90	H181	3438 - 9999	Machine without unsplit vibratory drum			2000 h	2839388
			Machine with two unsplit vibratory drums			1000 h	2839379
			Machine without unsplit vibratory drum			1000 h	2839381
						500 h	2839378
HD 110	H181	1889 - 3437	Machine with two unsplit vibratory drums			2000 h	2410427
			Machine with two unsplit vibratory drums			1000 h	2410452
						500 h	2410462
					50 h		2410490
		3438 - 9999	Machine with two unsplit vibratory drums			2000 h	2839385
					50 h		2839375
						500 h	2839378
			Machine with two unsplit vibratory drums			1000 h	2839379
DV 65	H197	40 - 9999				2000 h	2410342
						500 h; 1000 h	2410341
DV 70	H191	115 - 9999				2000 h	2410342
						500 h; 1000 h	2410341
DV 85	H198	50 - 9999				2000 h	2410346
						500 h; 1000 h	2410345
DV 90	H192	120 - 9999				2000 h	2410346





MAINTENANCE PACKAGES								
Series code	Serial code	Series range	Version	Cabin	First service	Replacement interval	Part no.	
DV 90	H192	120 - 9999				500 h; 1000 h	2410345	
DV+ 70i	H225	1 - 321				2000 h	2503861	
						1000 h	2503859	
						500 h	2503857	
	H225	1 - 9999			50 h		2503846	
						500 h	2839328	
						2000 h	2839342	
	H225	322 - 9999					1000 h	2839339
					50 h		2839348	
						2000 h	2839354	
	H277	1 - 9999					1000 h	2839352
						500 h	2839349	
				50 h		2503863		
					2000 h	2503867		
DV+ 90i	H226	1 - 9999				500 h; 1000 h	2503865	
						2000 h	2591899	
						500 h; 1000 h	2591896	
	H246	1 - 9999				2000 h	2928994	
						500 h; 1000 h	2928993	
						2000 h	2410461	
H278	1 - 9999				50 h	2410466		
					2000 h	2410466		
					1000 h	2410465		
					500 h	2410463		
HW 90	H123	1024 - 9999					2651378	
					50 h	2651383		
						1000 h	2651381	
HP 280	H249	1 - 9999						

Due to possible technical changes, always refer to the information in the instruction manual.

# MAINTENANCE PARTS

MAINTENANCE PACKAGES							
Series code	Serial code	Series range	Version	Cabin	First service	Replacement interval	Part no.
HP 280	H249	1 - 9999				500 h	2651379
HP 240	H283	1 - 27				2000 h	2651383
					50 h		2651378
						1000 h	2651381
						500 h	2651379
		28 - 9999				2000 h	3102859
						500 h	3102857
				1000 h	3102858		
				50 h		3102855	
HP 280i	H271	1 - 9999				500 h	2651374
					150 h		2651372
						2000 h	2651377
						1000 h	2651376
HP 240i	H282	1 - 9999			50 h		2651372
						1000 h	2651376
						2000 h	2651377
						500 h	2651374
GRW 280i	H212	1 - 9999			50 h		2410475
						2000 h	2410478
						1000 h	2410477
						500 h	2410476
	H244	1 - 9999				500 h	2651374
					50 h		2651372
						2000 h	2651377
						1000 h	2651376
GRW 180i	H228	1 - 9999			50 h		2410475



MAINTENANCE PACKAGES							
Series code	Serial code	Series range	Version	Cabin	First service	Replacement interval	Part no.
GRW 180i	H228	1 - 9999				2000 h	2504376
						1000 h	2410477
						500 h	2410476
GRW 280	H195	1 - 9999			50 h		2410540
						2000 h	2410543
						1000 h	2410542
						500 h	2410541
	H229	1 - 9999			50 h		2410471
						2000 h	2410474
						1000 h	2410473
						500 h	2410472
GRW 10	H190	1 - 9999			50 h		2410467
						500 h	2410468
						250 h	2504495
						2000 h	2410470
						1000 h	2410469
GRW 15	H190	1 - 9999			50 h		2410467
						500 h	2410468
						250 h	2504495
						2000 h	2410470
						1000 h	2410469
GRW 18	H190	1 - 9999			50 h		2410467
						500 h	2410468
						250 h	2504495
						2000 h	2410470
						1000 h	2410469

Due to possible technical changes, always refer to the information in the instruction manual.

# MAINTENANCE PARTS

MAINTENANCE PACKAGES							
Series code	Serial code	Series range	Version	Cabin	First service	Replacement interval	Part no.
GRW 21	H190	1 - 9999			50 h		2410467
						500 h	2410468
						250 h	2504495
						2000 h	2410470
						1000 h	2410469
GRW 24	H190	1 - 9999			50 h		2410467
						500 h	2410468
						250 h	2504495
						2000 h	2410470
						1000 h	2410469
HC 100i	H252	1 - 9999		without air-conditioning system		2000 h	3102824
				with air-conditioning system		2000 h	3102825
					50 h		3102819
						500 h	3102820
						1000 h	3102821
HC 110i	H252	1 - 9999		with air-conditioning system		2000 h	3102825
				without air-conditioning system		2000 h	3102824
					50 h		3102819
						500 h	3102820
						1000 h	3102821
HC 120i	H252	1 - 9999		without air-conditioning system		2000 h	3102824
				with air-conditioning system		2000 h	3102825
					50 h		3102819
						500 h	3102820
						1000 h	3102821
HC 130i	H254	1 - 9999			50 h		3102826



MAINTENANCE PACKAGES								
Series code	Serial code	Series range	Version	Cabin	First service	Replacement interval	Part no.	
HC 130i	H254	1 - 9999		with air-conditioning system		2000 h	3102832	
						1000 h	3102828	
						500 h	3102827	
				without air-conditioning system		2000 h	3102830	
HC 140i	H254	1 - 9999		with air-conditioning system		2000 h	3102832	
						1000 h	3102828	
					50 h		3102826	
						500 h	3102827	
				without air-conditioning system		2000 h	3102830	
HC 160i	H254	1 - 9999		without air-conditioning system		2000 h	3102830	
				with air-conditioning system		2000 h	3102832	
					50 h		3102826	
						1000 h	3102828	
						500 h	3102827	
HC 130	H255	1 - 9999				1000 h	3102812	
					50 h		3102804	
						500 h	3102811	
						2000 h	3102813	
HD+ 110i	H273	1 - 9999				500 h	3102847	
				Machine with one unsplit vibratory drum			2000 h	3102851
				Machine with one unsplit vibratory drum			1000 h	3102849
				Machine with two unsplit vibratory drums			2000 h	3102850

# MAINTENANCE PARTS

MAINTENANCE PACKAGES							
Series code	Serial code	Series range	Version	Cabin	First service	Replacement interval	Part no.
HD+ 110i	H273	1 - 9999	Machine with two unsplit vibratory drums			1000 h	3102848
			Machine with one unsplit vibratory drum			2000 h	3102852
HD+ 90i	H273	1 - 9999				500 h	3102847
			Machine with one unsplit vibratory drum			2000 h	3102852
			Machine with two unsplit vibratory drums			1000 h	3102848
			Machine with one unsplit vibratory drum			1000 h	3102849
			Machine with two unsplit vibratory drums			2000 h	3102850
			Machine with one unsplit vibratory drum			2000 h	3102851
HC 50i	H287	1 - 9999			50 h		3102814
						2000 h	3102818
						1000 h	3102817
						500 h	3102815
HC 70i	H287	1 - 9999				2000 h	3102818
					50 h		3102814
						1000 h	3102817
						500 h	3102815
HX 70i	H297	1 - 9999				2000 h	2839354
					50 h		2839348
						1000 h	2839352



MAINTENANCE PACKAGES							
Series code	Serial code	Series range	Version	Cabin	First service	Replacement interval	Part no.
HX 70i	H297	1 - 9999				500 h	2839349
HX 90i	H299	1 - 9999				500 h; 1000 h	2928993
						2000 h	2928994
HD+ 110i	H303	1 - 9999				500 h	3102847
			Machine with one unsplit vibratory drum			2000 h	3102851
			Machine with one unsplit vibratory drum			1000 h	3102849
			Machine with two unsplit vibratory drums			2000 h	3102850
			Machine with two unsplit vibratory drums			1000 h	3102848
			Machine with one unsplit vibratory drum			2000 h	3102852
HD+ 90i	H303	1 - 9999				500 h	3102847
			Machine with one unsplit vibratory drum			2000 h	3102851
			Machine with two unsplit vibratory drums			1000 h	3102848
			Machine with two unsplit vibratory drums			2000 h	3102850
			Machine with one unsplit vibratory drum			1000 h	3102849
			Machine with one unsplit vibratory drum			2000 h	3102852

# MAINTENANCE PARTS

MAINTENANCE PACKAGES							
Series code	Serial code	Series range	Version	Cabin	First service	Replacement interval	Part no.
HD+ 120i	H304	1 - 9999	Machine with two unsplit vibratory drums			2000 h	3035133
			Machine with one unsplit vibratory drum			2000 h	3035136
			Machine with two unsplit vibratory drums			1000 h	3153209
			Machine with one unsplit vibratory drum			1000 h	3035131
						500 h	3035129
HD+ 140i	H304	1 - 9999				500 h	3035129
			Machine with one unsplit vibratory drum			1000 h	3035131
			Machine with one unsplit vibratory drum			2000 h	3035135
			Machine with two unsplit vibratory drums			2000 h	3035136
			Machine with two unsplit vibratory drums			1000 h	3153207





## LUBRICANTS

Filling or lubricating your machine with a lubricant which is specifically matched to your application is critical for the service life of the operational parts in combustion engines, hydraulic components, gear units and bearings.

WIRTGEN GROUP lubricants meet these requirements perfectly and are optimised for your WIRTGEN GROUP machine.

The best choice for ensuring the effectiveness of your machine and reducing maintenance costs long-term!



> Read more online for WIRTGEN



> Read more online for VÖGELE



> Read more online for HAMM



> Read more online for KLEEMANN

GEAR OILS			
Part	Properties	Container	Part no.
Gear oil 85W-90	Mineral oil-based axle gear oil for WIRTGEN drive systems.  Do not use for WIRTGEN milling drum gearboxes (except 2500 SM, 4200 SM), HAMM vibratory bearings and drum drives or VÖGELE pump splitter gearboxes and drive systems.	5 l	2065030
		20 l	2065031
		208 l	2065032
High-performance gear oil PGLP 150	Exclusive fully synthetic gear oil tailored to high-performance use in WIRTGEN milling drum gearboxes. The high wettability of the lubricant ensures that the oil adheres well to gears and thus offers excellent wear protection. Do not use for HAMM vibratory bearings and drum drives.	5 l	2173019
		20 l	199752
		208 l	2120829
High-performance gear oil PGLP 220	Exclusive fully synthetic gear oil designed for high-performance use in WIRTGEN milling drum gearboxes as well as KLEEMANN conveyor and bevel gearboxes. The high wettability of the lubricant ensures that the oil adheres well to gears and thus offers excellent wear protection.  Do not use for HAMM vibratory bearings and drum drives.	5 l	2170074
		20 l	2065033
		208 l	2065034
High-performance gear oil PGLP 460	Exclusive fully synthetic gear oil tailored to high-performance use in WIRTGEN hot recyclers and in S-Pack binding agent metering units. The high wettability of the lubricant ensures that the oil adheres well to gears and thus offers excellent wear protection. Do not use for HAMM vibratory bearings and drum drives.	5 l	2461524
		20 l	2120830
Multi gear oil VG 150	Mineral oil-based industrial gear oil for KLEEMANN cone crushers. The EP (extreme pressure) additives provide exceptional wear protection. Recommended for use in KLEEMANN MCO 9 EVO and MCO 11 PRO cone crushers.	20 l	2483280
		208 l	2483281



# MAINTENANCE PARTS

GEAR OILS			
Part	Properties	Container	Part no.
Special gear oil	Special fully synthetic multigrade gear oil for VÖGELE pump splitter gearboxes and drive systems, HAMM vibratory bearings as well as KLEEMANN travel drives.  It has excellent cold-start behaviour and offers exceptional wear protection (for example in bearings, gear wheels) and is therefore particularly suitable for demanding applications.	5 l	1238051
		20 l	2065037
		208 l	2065038
Special gear oil for roller drum drives	Special fully synthetic multigrade gear oil for HAMM roller drum drives.  It has excellent cold-start behaviour and offers exceptional wear protection (for example in bearings, gear wheels) and is therefore particularly suitable for demanding applications.	5 l	2571293
		20 l	2571294
		208 l	2571300

HYDRAULIC OILS			
Part	Properties	Container	Part no.
Clutch fluid HLP 32	Hydraulic oil for use in KLEEMANN clutches Suitable for low temperatures (subpolar zone).	5 l	2268030
		20 l	2268032
Hydraulic Oil HVLP 46	Multigrade hydraulic oil  Suitable for moderate temperatures.	20 l	2065028
		208 l	2065029
		1000 l IBC	2118571
Hydraulic oil HVLP 68	Multigrade hydraulic oil suitable for high temperatures (subtropics, tropics).	20 l	2118574
		208 l	2570591

COOLANTS			
Part	Properties	Container	Part no.
Antifreezing Compound WG30	Coolants for protection against corrosion, overheating and frost (not suitable for use in 09WR (WR 200i) or KLEEMANN machines).	5 l	2173022
		20 l	2173023
		208 l	2173024
Antifreezing Compound WG40	Coolants to protect against corrosion, overheating and frost for Mercedes Benz diesel engines installed in 09WR (WR 200i).	20 l	2555507
Antifreezing Compound WG48	Coolant for KLEEMANN machines to protect against corrosion, overheating and frost.	20 l	2535933



ENGINE OILS			
Part	Properties	Container	Part no.
Engine oil low SAPS 10W-30	Semi-synthetic 'Low SAPS' engine oil (low sulphated ash, sulphur and phosphorus content) with Fuel Economy technology. Its low sulphated ash content ensures that burnt oil components do not prematurely clog the exhaust aftertreatment system's particulate filters (DPF).	5 l	2210320
		20 l	2210322
		208 l	2210323
		1000 l IBC	2118570
Engine oil low SAPS 10W-40	Synthetic low-viscosity engine oil with a comprehensive performance spectrum  Fuel savings of up to 1% compared to a 15W-40 are possible.  For use in markets in which low-sulphur fuel is used (e.g. Europe).  Suitable for engines with exhaust gas aftertreatment (EU Stage 3b/ US EPA Tier 4i exhaust emission standard and above).	5 l	2346869
		20 l	2346870
		208 l	2346871
Engine oil low SAPS 15W-40	Mineral oil-based engine oil with higher quality base oil  Meets the viscosity requirements of all WIRTGEN GROUP machines with Cummins engines.  For use in markets in which low-sulphur fuel is used (e.g. Europe).  Suitable for engines with exhaust gas aftertreatment (EU Stage 3b/ US EPA Tier 4i exhaust emission standard and above).	5 l	2573349
		20 l	2573350
		208 l	2573351
		1000 l IBC	2637453
Engine oil 10W-40	Synthetic low-viscosity engine oil for the longest oil change intervals  For use in markets in which fuel with a higher sulphur content is used (e.g. India, China, Africa, South America).  Suitable for engines without exhaust aftertreatment (up to and including EU Stage 3a/US EPA Tier 3 exhaust emission standards).	5 l	2112355
		20 l	2112354
		208 l	2219171
		1000 l IBC	2118569
Engine oil 15W-40	Mineral oil-based multigrade engine oil  For use in markets where fuel with a higher sulphur content is used (for example India, China, Africa, South America).  Suitable for engines without exhaust aftertreatment (up to and including EU Stage 3a/US EPA Tier 3 exhaust emission standards).	5 l	2065020
		20 l	2065025
		208 l	2065026
		1000 l IBC	2118572

# MAINTENANCE PARTS

GREASE			
Part	Properties	Container	Part no.
Cone Moly grease	High viscosity lithium complex grease for lubricating KLEEMANN cone crushers. Molybdenum disulphide (MoS <sub>2</sub> ) grease. For heavy-duty, slow-turning bearings and bolts. Not suitable for ball bearings and polished surfaces. Operating temperature from -20 °C to +150 °C.	400 g	2342967
Drive bearing grease	Special high-performance grease for use in HAMM bearings. Extremely pressure- and water-resistant.	1 kg	1227114
Drum bearing grease	Exclusive grease for the lubrication of HAMM drum bearings. Extremely temperature- and pressure-resistant.	1 kg	1205757
Friction and roller bearing grease	High-performance polyurea grease with extreme pressure resistance and excellent wear protection. For the lubrication of VÖGELE roller bearings and sliding bearings that are subject to high thermal loads as well as BENNINGHOVEN applications. Wide operating temperature range from -25 °C to +180 °C (multigrade grease).	18 kg	2027868
High-performance grease	Mineral oil-based lithium complex grease with excellent wear protection. For use on couplings and WIRTGEN remixer, for example. Wide operating temperature range from -20 °C to +150 °C (multigrade grease).	400 g	47259
KLEEMANN high-performance grease	Grease for KLEEMANN screen bearings.	380 g	M10021195
Multipurpose Moly grease	Mineral oil-based grease for lubricating high-load or shock-loaded bearings in damp, unfavourable conditions. Suitable for lubrication points with mixed friction, rough surfaces and as assembly grease (for example joint pins, wheel bearings). Not suitable for ball bearings and polished surfaces.  Operating temperature from -25 °C to +120 °C.	400 g	2065035

OTHER LUBRICANTS			
Part	Properties	Container	Part no.
AdBlue®/DEF	32.5% high-purity urea solution according to DIN 70070 / ISO 22241.  AdBlue® is a registered trademark of the Association of the Automotive Industry (Verband der Automobilindustrie e. V.; VDA)	10 l	2434706
		210 l	2090870
Asphalt anti-stick	The perfect solution for pneumatic tyre and combination rollers from HAMM – prevents bitumen sticking to the rubber tyres. The emulsion is based on a non-toxic solution and is therefore quickly biodegradable.	5 l	2559307
		20 l	2559309
Silicone transformer liquid	DOW transformer oil can be used for the magnetic separator on KLEEMANN machines.	20 l	2346389



BIOLOGICAL HYDRAULIC OIL			
Part	Properties	Container	Part no.
Bio Hydraulic Oil HVLP 46	Biodegradable multigrade hydraulic oil	20 l	2118575
	Suitable for moderate temperatures.	208 l	2270558

Original HAMM

# WATER SYSTEM



Original HAMM parts for sprinkling systems ensure that water is reliably sprayed onto the drums of the asphalt rollers. The HAMM sprinkling system for asphalt machines is optimised for use on the toughest surfaces and is designed to be extremely

water-efficient. Depending on the machine type, it is possible to order and replace the individual components of the system. The complete sprinkling system has been designed for maximum reliability.



> Read more online

## SPRINKLING SYSTEM PARTS

You are sure to be on the safe side with genuine HAMM sprinkling system parts from our range - reliable filtration as well as high-quality pumps, spray nozzles, seals and couplings guarantee trouble-free operation on hot asphalt.



SPRINKLING SYSTEM PARTS							
Series code	Serial code	Series range	Part	Package includes	Version	Position	Part no.
HD 8	H199	1 - 9999	Water filter O-Ring				2035816
							2035815
			Spray nozzle				1232762



SPRINKLING SYSTEM PARTS							
Series code	Serial code	Series range	Part	Package includes	Version	Position	Part no.
HD 10C	H199	1 - 9999	Water filter O-Ring				2035815
							2035816
			Spray nozzle				1232762
HD 8	H263	1 - 9999	Water filter O-Ring				2035815
							2035816
			Spray nozzle				1232762
HD 9	H263	1 - 9999	Water filter O-Ring				2035816
							2035815
			Spray nozzle				1232762
HD 10C	H263	1 - 9999	Water filter O-Ring				2035815
							2035816
			Spray nozzle				1232762
HD 10	H200, H230, H262	1 - 9999	Water filter O-Ring				2035816
							2035815
			Spray nozzle				1232762
HD 10i	H251	1 - 9999	Water filter O-Ring				2035815
							2035816
			Spray nozzle				1232762
HD 12	H200	1 - 9999	Water filter O-Ring				2035815
							2035816
			Spray nozzle				1232762
	H230	1 - 9999	Water filter O-Ring				2035816
							2035815
			Spray nozzle				1232762
H262	1 - 9999	Water filter O-Ring				2035815	
						2035816	

# WATER SYSTEM

SPRINKLING SYSTEM PARTS								
Series code	Serial code	Series range	Part	Package includes	Version	Position	Part no.	
HD 12	H262	1 - 9999	Spray nozzle				1232762	
HD 12i	H251	1 - 9999	Water filter O-Ring				2035816	
							2035815	
			Spray nozzle				1232762	
HD 13	H201	1 - 9999	Drain cover				2031438	
			Water filter O-Ring				2035815	
							2035816	
			Spray nozzle				1232762	
HD 13i	H231	1 - 9999	Drain cover				2031438	
			Water filter O-Ring				2035816	
							2035815	
			Spray nozzle				1232762	
	H265	1 - 9999	1 - 9999	Drain cover				2031438
				Water filter O-Ring				2035815
								2035816
				Spray nozzle				1232762
	H285	1 - 9999	1 - 9999	Drain cover				2031438
				Water filter O-Ring				2035816
								2035815
				Spray nozzle				1232762
HD 14	H201	1 - 9999	Drain cover				2031438	
			Water filter O-Ring				2035816	
							2035815	
			Spray nozzle				1232762	
HD 14i	H231	1 - 9999	Drain cover				2031438	
			Water filter O-Ring				2035816	





SPRINKLING SYSTEM PARTS								
Series code	Serial code	Series range	Part	Package includes	Version	Position	Part no.	
HD 14i	H231	1 - 9999	Water filter O-Ring				2035815	
			Spray nozzle				1232762	
	H265	1 - 9999	Drain cover					2031438
			Water filter O-Ring					2035815
								2035816
				Spray nozzle				1232762
	H285	1 - 9999	Drain cover					2031438
			Water filter O-Ring					2035816
								2035815
				Spray nozzle				1232762
	HD 14 TT	H208	1 - 9999	Drain cover				2031438
				Water filter O-Ring				
								2035815
			Spray nozzle				1232762	
HD 30	H247	1 - 9999	Water filter O-Ring				2035816	
							2035815	
			Spray nozzle				1232762	
HD 35	H247	1 - 9999	Water filter O-Ring				2035815	
							2035816	
			Spray nozzle				1232762	
HD+ 70i	H186	1 - 9999	Adapter for hose coupling				2029231	
			Nozzle holder					1232770
			Water filter O-Ring					2035815
								2035816
			Hose coupling					2031621
			Complete hose coupling	Quick coupling with 1/2" spray pipe connection			2035493	

# WATER SYSTEM

SPRINKLING SYSTEM PARTS							
Series code	Serial code	Series range	Part	Package includes	Version	Position	Part no.
HD+ 70i	H186	1 - 9999	Screen filter				1212281
			Spray nozzle				1232762
			Complete spray nozzle assembly	Nozzle assembly pre-assembled with screen filter, nozzle and union nut			2027825
			Union nut				1212273
	H272	1 - 9999	Adapter for hose coupling				2029231
			Nozzle holder				1232770
			Water filter O-Ring				2035816
							2035815
			Hose coupling				2031621
			Complete hose coupling	Quick coupling with 1/2 " spray pipe connection			2035493
			Screen filter				1212281
			Spray nozzle				1232762
			Complete spray nozzle assembly	Nozzle assembly pre-assembled with screen filter, nozzle and union nut			2027825
			Union nut				1212273
HD+ 80i	H186	1 - 9999	Adapter for hose coupling				2029231
			Nozzle holder				1232770
			Water filter O-Ring				2035815
							2035816
			Hose coupling				2031621
			Complete hose coupling	Quick coupling with 1/2 " spray pipe connection			2035493
			Screen filter				1212281
			Spray nozzle				1232762
			Complete spray nozzle assembly	Nozzle assembly pre-assembled with screen filter, nozzle and union nut			2027825



SPRINKLING SYSTEM PARTS							
Series code	Serial code	Series range	Part	Package includes	Version	Position	Part no.
HD+ 80i	H186	1 - 9999	Union nut				1212273
	H272	1 - 9999	Adapter for hose coupling				2029231
			Nozzle holder				1232770
			Water filter O-Ring				2035816
							2035815
			Hose coupling				2031621
			Complete hose coupling	Quick coupling with 1/2 " spray pipe connection			2035493
			Screen filter				1212281
			Spray nozzle				1232762
			Complete spray nozzle assembly	Nozzle assembly pre-assembled with screen filter, nozzle and union nut			2027825
			Union nut				1212273
HD+ 90	H185	1 - 9999	Adapter for hose coupling				2029231
			Nozzle holder				1232770
			Water filter O-Ring				2035815
							2035816
			Hose coupling				2031621
			Complete hose coupling	Quick coupling with 1/2 " spray pipe connection			2035493
			Screen filter				1212281
			Spray nozzle				1232762
			Complete spray nozzle assembly	Nozzle assembly pre-assembled with screen filter, nozzle and union nut			2027825
			Union nut				1212273
HD+ 90i	H209	1 - 9999	Adapter for hose coupling				2029231
			Nozzle holder				1232770
			Water filter O-Ring				2035815

# WATER SYSTEM

SPRINKLING SYSTEM PARTS							
Series code	Serial code	Series range	Part	Package includes	Version	Position	Part no.
HD+ 90i	H209	1 - 9999	Water filter O-Ring				2035816
			Hose coupling				2031621
			Complete hose coupling	Quick coupling with 1/2" spray pipe connection			2035493
			Screen filter				1212281
			Spray nozzle				1232762
			Complete spray nozzle assembly	Nozzle assembly pre-assembled with screen filter, nozzle and union nut			2027825
			Union nut				1212273
HD+ 90	H258	1 - 9999	Adapter for hose coupling				2029231
			Nozzle holder				1232770
			Water filter O-Ring				2035815
							2035816
			Hose coupling				2031621
			Complete hose coupling	Quick coupling with 1/2" spray pipe connection			2035493
			Screen filter				1212281
			Spray nozzle				1232762
			Complete spray nozzle assembly	Nozzle assembly pre-assembled with screen filter, nozzle and union nut			2027825
Union nut				1212273			
HD+ 90i	H242	1 - 9999	Adapter for hose coupling				2029231
			Nozzle holder				1232770
			Water filter O-Ring				2035815
							2035816
			Hose coupling				2031621
			Complete hose coupling	Quick coupling with 1/2" spray pipe connection			2035493
			Screen filter				1212281



SPRINKLING SYSTEM PARTS							
Series code	Serial code	Series range	Part	Package includes	Version	Position	Part no.
HD+ 90i	H242	1 - 9999	Spray nozzle				1232762
			Complete spray nozzle assembly	Nozzle assembly pre-assembled with screen filter, nozzle and union nut			2027825
			Union nut				1212273
HD+ 90i PH	H241, H276	1 - 9999	Adapter for hose coupling				2029231
			Nozzle holder				1232770
			Water filter O-Ring				2035815
							2035816
			Hose coupling				2031621
			Complete hose coupling	Quick coupling with 1/2 " spray pipe connection			2035493
			Screen filter				1212281
			Spray nozzle				1232762
			Complete spray nozzle assembly	Nozzle assembly pre-assembled with screen filter, nozzle and union nut			2027825
Union nut				1212273			
HD+ 110	H185, H258	1 - 9999	Adapter for hose coupling				2029231
			Nozzle holder				1232770
			Water filter O-Ring				2035815
							2035816
			Hose coupling				2031621
			Complete hose coupling	Quick coupling with 1/2 " spray pipe connection			2035493
			Screen filter				1212281
			Spray nozzle				1232762
			Complete spray nozzle assembly	Nozzle assembly pre-assembled with screen filter, nozzle and union nut			2027825
Union nut				1212273			

# WATER SYSTEM

SPRINKLING SYSTEM PARTS								
Series code	Serial code	Series range	Part	Package includes	Version	Position	Part no.	
HD+ 110i	H209, H242	1 - 9999	Adapter for hose coupling				2029231	
			Nozzle holder				1232770	
			Water filter O-Ring				2035815	
							2035816	
			Hose coupling				2031621	
			Complete hose coupling	Quick coupling with 1/2 " spray pipe connection			2035493	
			Screen filter				1212281	
			Spray nozzle				1232762	
			Complete spray nozzle assembly	Nozzle assembly pre-assembled with screen filter, nozzle and union nut			2027825	
Union nut				1212273				
HD+ 120	H184	1 - 9999	Adapter for hose coupling				2029231	
			Nozzle holder				1232770	
			Water filter O-Ring				2035816	
							2035815	
			Hose coupling				2031621	
			Complete hose coupling	Quick coupling with 1/2 " spray pipe connection			2035493	
			Screen filter				1212281	
			Spray nozzle				1232762	
			Complete spray nozzle assembly	Nozzle assembly pre-assembled with screen filter, nozzle and union nut			2027825	
	Union nut				1212273			
	H259	1 - 9999	Adapter for hose coupling					2029231
			Nozzle holder					1232770
			Water filter O-Ring					2035815
							2035816	



SPRINKLING SYSTEM PARTS							
Series code	Serial code	Series range	Part	Package includes	Version	Position	Part no.
HD+ 120	H259	1 - 9999	Hose coupling				2031621
			Complete hose coupling	Quick coupling with 1/2 " spray pipe connection			2035493
			Screen filter				1212281
			Spray nozzle				1232762
			Complete spray nozzle assembly	Nozzle assembly pre-assembled with screen filter, nozzle and union nut			2027825
			Union nut				1212273
HD+ 120i	H207	1 - 9999	Adapter for hose coupling				2029231
			Nozzle holder				1232770
			Water filter O-Ring				2035815
							2035816
			Hose coupling				2031621
			Complete hose coupling	Quick coupling with 1/2 " spray pipe connection			2035493
			Screen filter				1212281
			Spray nozzle				1232762
	Complete spray nozzle assembly	Nozzle assembly pre-assembled with screen filter, nozzle and union nut			2027825		
	Union nut				1212273		
	H243, H274	1 - 9999	Adapter for hose coupling				2029231
			Nozzle holder				1232770
			Water filter O-Ring				2035816
							2035815
			Hose coupling				2031621
			Complete hose coupling	Quick coupling with 1/2 " spray pipe connection			2035493
Screen filter						1212281	
Spray nozzle						1232762	

# WATER SYSTEM

SPRINKLING SYSTEM PARTS							
Series code	Serial code	Series range	Part	Package includes	Version	Position	Part no.
HD+ 120i	H243, H274	1 - 9999	Complete spray nozzle assembly	Nozzle assembly pre-assembled with screen filter, nozzle and union nut			2027825
			Union nut				1212273
HD+ 140	H184, H259	1 - 9999	Adapter for hose coupling				2029231
			Nozzle holder				1232770
			Water filter O-Ring				2035815
							2035816
			Hose coupling				2031621
			Complete hose coupling	Quick coupling with 1/2" spray pipe connection			2035493
			Screen filter				1212281
			Spray nozzle				1232762
			Complete spray nozzle assembly	Nozzle assembly pre-assembled with screen filter, nozzle and union nut			2027825
Union nut				1212273			
HD+ 140i	H207, H243	1 - 9999	Adapter for hose coupling				2029231
			Nozzle holder				1232770
			Water filter O-Ring				2035815
							2035816
			Hose coupling				2031621
			Complete hose coupling	Quick coupling with 1/2" spray pipe connection			2035493
			Screen filter				1212281
			Spray nozzle				1232762
			Complete spray nozzle assembly	Nozzle assembly pre-assembled with screen filter, nozzle and union nut			2027825
	Union nut				1212273		
	H274	1 - 9999	Adapter for hose coupling				2029231





SPRINKLING SYSTEM PARTS							
Series code	Serial code	Series range	Part	Package includes	Version	Position	Part no.
HD+ 140i	H274	1 - 9999	Nozzle holder				1232770
			Water filter O-Ring				2035816
							2035815
			Hose coupling				2031621
			Complete hose coupling	Quick coupling with 1/2" spray pipe connection			2035493
			Screen filter				1212281
			Spray nozzle				1232762
			Complete spray nozzle assembly	Nozzle assembly pre-assembled with screen filter, nozzle and union nut			2027825
Union nut				1212273			
DV 65	H197	1 - 9999	Adapter for hose coupling				2029231
			Nozzle holder				1232770
			Replacement glass				878685
			Filter element				386596
			Felt ring				392731
			O-Ring for replacement glass				392758
			Hose coupling				2031621
			Complete hose coupling	Quick coupling with 1/2" spray pipe connection			2035493
			Screen filter				1212281
							2028603
			Spray nozzle				1232762
							2028605
			Complete spray nozzle assembly	Nozzle assembly pre-assembled with screen filter, nozzle and union nut	Standard		2027825
Union nut			Additive sprinkling	1212273			
				390313			

# WATER SYSTEM

SPRINKLING SYSTEM PARTS							
Series code	Serial code	Series range	Part	Package includes	Version	Position	Part no.
DV 65	H197	1 - 9999	Complete water nozzle	Nozzle assembly pre-assembled with screen filter, nozzle and union nut	Oscillation		2027844
DV 70	H191	1 - 9999	Adapter for hose coupling				2029231
			Nozzle holder				1232770
			Replacement glass				878685
			Filter element				386596
			Felt ring				392731
			O-Ring for replacement glass				392758
			Hose coupling				2031621
			Complete hose coupling	Quick coupling with 1/2" spray pipe connection			2035493
			Screen filter				2028603
							1212281
			Spray nozzle				1232762
							2028605
			Complete spray nozzle assembly	Nozzle assembly pre-assembled with screen filter, nozzle and union nut	Standard		2027825
			Union nut				390313
		Additive sprinkling		1212273			
Complete water nozzle	Nozzle assembly pre-assembled with screen filter, nozzle and union nut	Oscillation		2027844			
DV 85	H198	1 - 9999	Adapter for hose coupling				2029231
			Nozzle holder				1232770
			Replacement glass				878685
			Filter element				386596
			Felt ring				392731
			O-Ring for replacement glass				392758



SPRINKLING SYSTEM PARTS							
Series code	Serial code	Series range	Part	Package includes	Version	Position	Part no.
DV 85	H198	1 - 9999	Hose coupling				2031621
			Complete hose coupling	Quick coupling with 1/2" spray pipe connection			2035493
			Screen filter				2028603
							1212281
			Spray nozzle				1232762
							2028605
			Complete spray nozzle assembly	Nozzle assembly pre-assembled with screen filter, nozzle and union nut	Standard		2027825
			Union nut				390313
		Additive sprinkling		1212273			
Complete water nozzle	Nozzle assembly pre-assembled with screen filter, nozzle and union nut	Oscillation		2027844			
DV 90	H192	1 - 9999	Adapter for hose coupling				2029231
			Nozzle holder				1232770
			Replacement glass				878685
			Filter element				386596
			Felt ring				392731
			O-Ring for replacement glass				392758
			Hose coupling				2031621
			Complete hose coupling	Quick coupling with 1/2" spray pipe connection			2035493
			Screen filter				1212281
							2028603
			Spray nozzle				1232762
							2028605
Complete spray nozzle assembly	Nozzle assembly pre-assembled with screen filter, nozzle and union nut	Standard		2027825			

# WATER SYSTEM

SPRINKLING SYSTEM PARTS							
Series code	Serial code	Series range	Part	Package includes	Version	Position	Part no.
DV 90	H192	1 - 9999	Union nut				390313
						Additive sprinkling	1212273
			Complete water nozzle	Nozzle assembly pre-assembled with screen filter, nozzle and union nut	Oscillation		2027844
DV+ 70i	H225	1 - 9999	Bayonet cap				2026016
			Nozzle holder				1232770
			Water filter O-Ring				2035816
							2035815
			Hose connector				2025162
			Screen filter				1212281
			Spray nozzle				1232762
			Union nut				1212273
DV+ 90i	H226, H246	1 - 9999	Bayonet cap				2026016
			Nozzle holder				1232770
			Water filter O-Ring				2035816
							2035815
			Hose connector				2025162
			Screen filter				1212281
			Spray nozzle				1232762
			Union nut				1212273
HW 90	H123	522 - 1034	Seal ring				293717
			Replacement glass				293598
			Filter element				280283
			Screen filter				1212281
			Spray nozzle				1212257
		1035 - 9999	Replacement glass				878685



SPRINKLING SYSTEM PARTS							
Series code	Serial code	Series range	Part	Package includes	Version	Position	Part no.
HW 90	H123	1035 - 9999	Filter element				386596
			Felt ring				392731
			O-Ring for replacement glass				392758
			Screen filter				1212281
			Spray nozzle				1212257
			Union nut				390313
HP 280	H249	1 - 9999	Adapter for hose coupling				2029231
			Nozzle holder				1232770
			Water filter O-Ring				2035816
							2035815
			Hose coupling				2031621
			Complete hose coupling	Quick coupling with 1/2" spray pipe connection			2035493
			Screen filter				1212281
			Spray nozzle				1232762
Union nut				1212273			
HP 240	H283	1 - 9999	Adapter for hose coupling				2029231
			Nozzle holder				1232770
			Water filter O-Ring				2035815
							2035816
			Hose coupling				2031621
			Complete hose coupling	Quick coupling with 1/2" spray pipe connection			2035493
			Screen filter				1212281
			Spray nozzle				1232762
Union nut				1212273			
HP 280i	H271	1 - 9999	Adapter for hose coupling				2029231
			Nozzle holder				1232770

# WATER SYSTEM

SPRINKLING SYSTEM PARTS							
Series code	Serial code	Series range	Part	Package includes	Version	Position	Part no.
HP 280i	H271	1 - 9999	Water filter O-Ring				2035816
							2035815
			Hose coupling				2031621
			Complete hose coupling	Quick coupling with 1/2 " spray pipe connection			2035493
			Screen filter				1212281
			Spray nozzle				1232762
			Union nut				1212273
HP 240i	H282	1 - 9999	Adapter for hose coupling				2029231
			Nozzle holder				1232770
			Water filter O-Ring				2035815
							2035816
			Hose coupling				2031621
			Complete hose coupling	Quick coupling with 1/2 " spray pipe connection			2035493
			Screen filter				1212281
			Spray nozzle				1232762
Union nut				1212273			
GRW 280i	H212, H244	1 - 9999	Adapter for hose coupling				2029231
			Nozzle holder				1232770
			Water filter O-Ring				2035816
							2035815
			Hose coupling				2031621
			Complete hose coupling	Quick coupling with 1/2 " spray pipe connection			2035493
			Screen filter				1212281
			Spray nozzle				1232762
Union nut				1212273			
GRW 180i	H228	1 - 9999	Adapter for hose coupling				2029231



SPRINKLING SYSTEM PARTS							
Series code	Serial code	Series range	Part	Package includes	Version	Position	Part no.
GRW 180i	H228	1 - 9999	Nozzle holder				1232770
			Water filter O-Ring				2035816
							2035815
			Hose coupling				2031621
			Complete hose coupling	Quick coupling with 1/2" spray pipe connection			2035493
			Screen filter				1212281
			Spray nozzle				1232762
Union nut				1212273			
GRW 280	H195, H229	1 - 9999	Adapter for hose coupling				2029231
			Nozzle holder				1232770
			Water filter O-Ring				2035816
							2035815
			Hose coupling				2031621
			Complete hose coupling	Quick coupling with 1/2" spray pipe connection			2035493
			Screen filter				1212281
			Spray nozzle				1232762
Union nut				1212273			
GRW 10	H178, H190	1 - 9999	Replacement glass				878685
			Filter element				386596
			Felt ring				392731
			Spray nozzle				2045333
			Union nut				390313
GRW 15	H178, H190	1 - 9999	Replacement glass				878685
			Filter element				386596
			Felt ring				392731
			Spray nozzle				2045333

# WATER SYSTEM

SPRINKLING SYSTEM PARTS							
Series code	Serial code	Series range	Part	Package includes	Version	Position	Part no.
GRW 15	H178, H190	1 - 9999	Union nut				390313
GRW 18	H178, H190	1 - 9999	Replacement glass				878685
			Filter element				386596
			Felt ring				392731
			Spray nozzle				2045333
			Union nut				390313
GRW 21	H178, H190	1 - 9999	Replacement glass				878685
			Filter element				386596
			Felt ring				392731
			Spray nozzle				2045333
			Union nut				390313
GRW 24	H178, H190	1 - 9999	Replacement glass				878685
			Filter element				386596
			Felt ring				392731
			Spray nozzle				2045333
			Union nut				390313





## WATER FILTERS

Optimally sized filter systems protect the sprinkling system from impurities and thus ensure that the water nozzles function perfectly.



WATER FILTERS				
Series code	Serial code	Series range	Package includes	Part no.
HD 8	H199	1 - 9999		2033909
HD 10C	H199	1 - 9999		2033909
HD 8	H263	1 - 9999		2033909
HD 9	H263	1 - 9999		2033909
HD 10C	H263	1 - 9999		2033909
HD 10	H200, H230, H262	1 - 9999		2033909
HD 10i	H251	1 - 9999		2033909
HD 12	H200, H230, H262	1 - 9999		2033909
HD 12i	H251	1 - 9999		2033909
HD 13	H201	1 - 9999		2033909
HD 13i	H231, H265, H285	1 - 9999		2033909
HD 14	H201	1 - 9999		2033909
HD 14i	H231, H265, H285	1 - 9999		2033909
HD 14 TT	H208	1 - 9999		2033909
HD 30	H247	1 - 9999		2033909
HD 35	H247	1 - 9999		2033909
HD+ 70i	H186, H272	1 - 9999		2033909
HD+ 80i	H186, H272	1 - 9999		2033909
HD+ 90	H185	1 - 9999		2033909
HD+ 90i	H209	1 - 9999		2033909

# WATER SYSTEM

WATER FILTERS				
Series code	Serial code	Series range	Package includes	Part no.
HD+ 90	H258	1 - 9999		2033909
HD+ 90i	H242	1 - 9999		2033909
HD+ 90i PH	H241, H276	1 - 9999		2033909
HD+ 110	H185, H258	1 - 9999		2033909
HD+ 110i	H209, H242	1 - 9999		2033909
HD+ 120	H184, H259	1 - 9999		2033909
HD+ 120i	H207, H243, H274	1 - 9999		2033909
HD+ 140	H184, H259	1 - 9999		2033909
HD+ 140i	H207, H243, H274	1 - 9999		2033909
HD 70	H187	1 - 9999	Filter housing with filter element and pressure relief valve (pre-assembled)	813249
HD 75	H187	1 - 9999	Filter housing with filter element and pressure relief valve (pre-assembled)	813249
HD 90	H174, H181	1 - 9999	Filter housing with filter element and pressure relief valve (pre-assembled)	813249
HD 110	H174, H181	1 - 9999	Filter housing with filter element and pressure relief valve (pre-assembled)	813249
HD 120	H182	1 - 9999	Filter housing with filter element and pressure relief valve (pre-assembled)	813249
HD 130	H182	1 - 9999	Filter housing with filter element and pressure relief valve (pre-assembled)	813249
DV 65	H197	1 - 9999	Filter housing with filter element and pressure relief valve (pre-assembled)	813249
DV 70	H191	1 - 9999	Filter housing with filter element and pressure relief valve (pre-assembled)	813249
DV 85	H198	1 - 9999	Filter housing with filter element and pressure relief valve (pre-assembled)	813249
DV 90	H192	1 - 9999	Filter housing with filter element and pressure relief valve (pre-assembled)	813249
DV+ 70i	H225, H277	1 - 9999		2033909
DV+ 90i	H226, H246, H278	1 - 9999		2033909
HD 150 TT	H183, H193	1 - 9999	Filter housing with filter element and pressure relief valve (pre-assembled)	813249
HW 90	H123	522 - 1034	Filter housing with filter element and pressure relief valve (pre-assembled)	274097
		1035 - 9999	Filter housing with filter element and pressure relief valve (pre-assembled)	813249
HP 280	H249	1 - 9999		2033909
HP 240	H283	1 - 9999		2033909



## WATER FILTERS

Series code	Serial code	Series range	Package includes	Part no.
HP 280i	H271	1 - 9999		2033909
HP 240i	H282	1 - 9999		2033909
GRW 280i	H212, H244	1 - 9999		2033909
GRW 180i	H228	1 - 9999		2033909
GRW 280	H195, H229	1 - 9999		2033909
GRW 10	H178, H190	1 - 9999	Filter housing with filter element and pressure relief valve (pre-assembled)	813249
GRW 15	H178, H190	1 - 9999	Filter housing with filter element and pressure relief valve (pre-assembled)	813249
GRW 18	H178, H190	1 - 9999	Filter housing with filter element and pressure relief valve (pre-assembled)	813249
GRW 21	H178, H190	1 - 9999	Filter housing with filter element and pressure relief valve (pre-assembled)	813249
GRW 24	H178, H190	1 - 9999	Filter housing with filter element and pressure relief valve (pre-assembled)	813249

## WATER PUMPS

The genuine HAMM water pump electrically maintains the sprinkling pressure of the water system.



## WATER PUMPS

Series code	Serial code	Series range	Part no.
HD 8	H199	1 - 9999	2335548
HD 10C	H199	1 - 9999	2335548
HD 8	H263	1 - 9999	2335548
HD 9	H263	1 - 9999	2335548
HD 10C	H263	1 - 9999	2335548
HD 10	H200, H230, H262	1 - 9999	2335548
HD 10i	H251	1 - 9999	2335548

Original HAMM

# WATER SYSTEM

WATER PUMPS			
Series code	Serial code	Series range	Part no.
HD 12	H200, H230, H262	1 - 9999	2335548
HD 12i	H251	1 - 9999	2335548
HD 13	H201	1 - 9999	2335548
HD 13i	H231, H265, H285	1 - 9999	2335548
HD 14	H201	1 - 9999	2335548
HD 14i	H231, H265, H285	1 - 9999	2335548
HD 14 TT	H208	1 - 9999	2335548
HD 30	H247	1 - 9999	2335548
HD 35	H247	1 - 9999	2335548
HD+ 70i	H186, H272	1 - 9999	2335548
HD+ 80i	H186, H272	1 - 9999	2335548
HD+ 90	H185	1 - 9999	2335548
HD+ 90i	H209	1 - 9999	2335548
HD+ 90	H258	1 - 9999	2335548
HD+ 90i	H242	1 - 9999	2335548
HD+ 90i PH	H241, H276	1 - 9999	2335548
HD+ 110	H185, H258	1 - 9999	2335548
HD+ 110i	H209, H242	1 - 9999	2335548
HD+ 120	H184	1 - 858	2335548
		859 - 9999	2245726
	H259	1 - 9999	2245726
HD+ 120i	H207, H243, H274	1 - 9999	2245726
HD+ 140	H184	1 - 858	2335548
		859 - 9999	2245726
	H259	1 - 9999	2245726
HD+ 140i	H207, H243, H274	1 - 9999	2245726
DV 65	H197	1 - 9999	2335548



WATER PUMPS			
Series code	Serial code	Series range	Part no.
DV 70	H191	1 - 9999	2335548
DV 85	H198	1 - 9999	2335548
DV 90	H192	1 - 9999	2335548
DV+ 70i	H225	1 - 9999	2335548
DV+ 90i	H226, H246	1 - 9999	2335548
HW 90	H123	1 - 9999	2335548
HP 280	H249	1 - 9999	2335548
HP 240	H283	1 - 9999	2335548
HP 280i	H271	1 - 9999	2335548
HP 240i	H282	1 - 9999	2335548
GRW 280i	H212, H244	1 - 9999	2335548
GRW 180i	H228	1 - 9999	2335548
GRW 280	H195, H229	1 - 9999	2335548

# Original HAMM SCRAPER



In daily construction site operations, original HAMM scrapers guarantee the best paving and surface quality thanks to clean drum surfaces.

The scrapers prevent dust and asphalt from

adhering to the drum and tires.

The scraper materials optimized by HAMM are wear-resistant with minimal operating costs.



> Read more online

## SCRAPER

The wear-resistant scrapers safely and effectively clean drums and smooth tires.



SCRAPER							
Series code	Serial code	Series range	Type	Width	Version	Position	Part no.
H 5i	H222, H270	1 - 9999	for smooth drums	1366 mm			2395899
H 7i	H222, H270	1 - 9999	for smooth drums	1676 mm			2394659
H 10i	H266, H284	1 - 9999	for smooth drums	2130 mm			2161611



SCRAPER							
Series code	Serial code	Series range	Type	Width	Version	Position	Part no.
H 11i	H211, H235, H266, H284	1 - 9999	for smooth drums	2130 mm			2161611
H 11ix	H210	1 - 9999	for smooth drums	2130 mm			2161611
H 12i	H235, H266, H284	1 - 9999	for smooth drums	2130 mm			2161611
H 13i	H211, H234, H267	1 - 9999	for smooth drums	2130 mm			2161611
H 13ix	H210	1 - 9999	for smooth drums	2130 mm			2161611
H 13i VIO	H267	1 - 9999	for smooth drums	2130 mm			2161611
H 13i C	H267	1 - 9999	for smooth drums	2130 mm			2161611
H 14i	H267	1 - 9999	for smooth drums	2130 mm			2161611
H 16i	H211, H234, H267	1 - 9999	for smooth drums	2130 mm			2161611
H 18i	H202, H233, H268	1 - 9999	for smooth drums	2130 mm			2161611
H 20i	H202, H233, H268	1 - 9999	for smooth drums	2130 mm			2161611
H 25i	H202, H233, H268	1 - 9999	for smooth drums	2130 mm			2161611
HC 170i	H256	1 - 9999	for smooth drums	2130 mm			2647682
HC 200i	H256	1 - 9999	for smooth drums	2130 mm			2647682
HC 250i	H256	1 - 9999	for smooth drums	2130 mm			2647682
3205	H188	1 - 9999	for smooth drums	1390 mm			468207
3307	H189	1 - 9999	for smooth drums	1700 mm			492280
3410	H179, H206	1 - 9999	for smooth drums	2130 mm			1499327
3411	H179, H206	1 - 9999	for smooth drums	2130 mm			1499327
3412	H180, H214	1 - 9999	for smooth drums	2130 mm			1499327
3414	H180, H214	1 - 9999	for smooth drums	2130 mm			1499327
3516	H176, H215	1 - 9999	for smooth drums	2130 mm			1499327
3518	H176, H215	1 - 9999	for smooth drums	2210 mm			1499351
3520	H176, H215	1 - 9999	for smooth drums	2210 mm			1499351
3625	H177	1 - 9999	for smooth drums	2210 mm			1499351
318	H239	1 - 9999	for smooth drums	2210 mm			1499351

Original HAMM  
**SCRAPER**

SCRAPER							
Series code	Serial code	Series range	Type	Width	Version	Position	Part no.
320	H239	1 - 9999	for smooth drums	2210 mm			1499351
322	H239	1 - 9999	for smooth drums	2210 mm			1499351
325	H239	1 - 9999	for smooth drums	2210 mm			1499351
HD 8	H199	1 - 9999	for smooth drums	800 mm			2033739
HD 10C	H199	1 - 9999	for smooth drums	1000 mm			2031269
			for tyres		PVC		2091348
HD 8	H263	1 - 9999	for smooth drums	800 mm			2033739
HD 9	H263	1 - 9999	for smooth drums	900 mm			2905811
HD 10C	H263	1 - 9999	for tyres		PVC		2091348
			for smooth drums	1000 mm			2031269
HD 10	H200, H262	1 - 945	for tyres		PVC		2085393
		946 - 9999	for tyres		PVC		2091348
HD 10i	H251	1 - 9999	for tyres		PVC		2091348
			for smooth drums	1000 mm			2031269
HD 12	H200	1 - 945	for tyres		PVC		2085390
		946 - 9999	for tyres		PVC		2091348
	H262	1 - 945	for tyres		PVC		2085390
		1 - 9999	for smooth drums	1200 mm			2069570
		946 - 9999	for tyres		PVC		2091348
HD 12i	H251	1 - 9999	for tyres		PVC		2091348
			for smooth drums	1200 mm			2069570
HD 13	H201	1 - 219	for tyres		PVC		2076350
		1 - 9999	for smooth drums	1300 mm			2047124
		220 - 9999	for tyres		PVC		2187115
HD 13i	H231	1 - 9999	for tyres		PVC		2187115
			for smooth drums	1300 mm			2047124





SCRAPER							
Series code	Serial code	Series range	Type	Width	Version	Position	Part no.
HD 13i	H265, H285	1 - 9999	for smooth drums	1300 mm			2047124
			for tyres		PVC		2187115
HD 14	H201	1 - 219	for tyres		PVC		2076350
		1 - 9999	for smooth drums	1380 mm			2034672
		220 - 9999	for tyres		PVC		2187115
HD 14i	H231	1 - 9999	for tyres		PVC		2187115
			for smooth drums	1380 mm			2034672
	H265, H285	1 - 9999	for smooth drums	1380 mm			2034672
			for tyres		PVC		2187115
HD 14 TT	H208	1 - 10	for tyres		PVC		2076350
		11 - 9999	for tyres		PVC		2187115
HD 30	H247	1 - 9999	for tyres		PVC		2091348
			for smooth drums	1000 mm			2031269
HD 35	H247	1 - 9999	for smooth drums	1200 mm			2069570
			for tyres		PVC		2091348
HD+ 70i	H186	1 - 9999	for smooth drums	1500 mm			2256981
			for tyres		PVC		1406248
	H272	1 - 9999	for tyres		PVC		1406248
			for smooth drums	1500 mm			2256981
HD+ 80i	H186	1 - 9999	for tyres		PVC		1406248
			for smooth drums	1680 mm			2129161
	H272	1 - 9999	for smooth drums	1680 mm			2129161
			for tyres		PVC		1406248
HD+ 90	H185	1 - 9999	for tyres		PVC		1406248
			for smooth drums	1680 mm			2129161
HD+ 90i	H209	1 - 9999	for smooth drums	1680 mm			2129161

Original HAMM  
**SCRAPER**

SCRAPER							
Series code	Serial code	Series range	Type	Width	Version	Position	Part no.
HD+ 90i	H209	1 - 9999	for tyres		PVC		1406248
HD+ 90	H258	1 - 9999	for tyres		PVC		1406248
			for smooth drums	1680 mm			2129161
HD+ 90i	H242	1 - 9999	for tyres		PVC		1406248
			for smooth drums	1680 mm			2129161
HD+ 90i PH	H241	1 - 9999	for smooth drums	1680 mm			2129161
			for tyres		PVC		1406248
	H276	1 - 9999	for tyres		PVC		1406248
			for smooth drums	1680 mm			2129161
HD+ 110	H185, H258	1 - 9999	for tyres		PVC		1406248
			for smooth drums	1680 mm			2129161
HD+ 110i	H209	1 - 9999	for tyres		PVC		1406248
			for smooth drums	1680 mm			2129161
	H242	1 - 9999	for smooth drums	1680 mm			2129161
			for tyres		PVC		1406248
HD+ 120	H184	1 - 9999	for smooth drums	1980 mm			2056544
	H259	1 - 9999	for smooth drums	1980 mm			2148763
HD+ 120i	H207, H243, H274	1 - 9999	for smooth drums	1980 mm			2148763
HD+ 140	H184	1 - 9999	for smooth drums	2140 mm			2092340
	H259	1 - 9999	for smooth drums	2140 mm			2148766
HD+ 140i	H207, H243, H274	1 - 9999	for smooth drums	2140 mm			2148766
HD 70	H187	1 - 9999	for smooth drums	1500 mm			1466763
			for tyres		PVC		1406248
HD 75	H187	1 - 9999	for smooth drums	1680 mm			1461796
			for tyres		PVC		1406248
HD 90	H174, H181	1 - 9999	for smooth drums	1680 mm			1461796



SCRAPER							
Series code	Serial code	Series range	Type	Width	Version	Position	Part no.
HD 90	H174, H181	1 - 9999	for tyres		PVC		1406248
HD 110	H174, H181	1 - 9999	for smooth drums	1680 mm			1461796
			for tyres		PVC		1406248
HD 120	H182	1 - 9999	for smooth drums	1980 mm			1504185
HD 130	H182	1 - 9999	for smooth drums	2140 mm			1473638
DV 65	H197	1 - 9999	for smooth drums	1520 mm			1503987
			for tyres		PVC		1406248
DV 70	H191	1 - 9999	for smooth drums	1520 mm			1503987
			for tyres		PVC		1406248
DV 85	H198	1 - 9999	for smooth drums	1700 mm			407976
			for tyres		PVC		1406248
DV 90	H192	1 - 9999	for smooth drums	1700 mm			407976
			for tyres		PVC		1406248
DV+ 70i	H225, H277	1 - 9999	for smooth drums	1500 mm			2256981
			for tyres		PVC		2171169
DV+ 90i	H226, H246	1 - 9999	for tyres		PVC		2171169
			for smooth drums	1680 mm			2129161
	H278	1 - 9999	for smooth drums	1680 mm			2129161
			for tyres		PVC		2171169
HD 150 TT	H183, H193	1 - 9999	for tyres		PVC		1406248
HW 90	H123	1 - 9999	for smooth drums	650 mm		rear	422851
			for smooth drums	550 mm		rear	557374
			for smooth drums	1120 mm		front	557048
			for smooth drums	610 mm		rear	434795
HP 280	H249	1 - 9999	for tyres		PVC		1406248
			for tyres		PVC brush with fine insert		2545857

Original HAMM  
**SCRAPER**

SCRAPER							
Series code	Serial code	Series range	Type	Width	Version	Position	Part no.
HP 280	H249	1 - 9999	for tyres		PVC brush		2545856
HP 240	H283	1 - 9999	for tyres		PVC		1406248
			for tyres		PVC brush		2545856
			for tyres		PVC brush with fine insert		2545857
HP 280i	H271	1 - 9999	for tyres		PVC		1406248
			for tyres		PVC brush with fine insert		2545857
			for tyres		PVC brush		2545856
HP 240i	H282	1 - 9999	for tyres		PVC brush		2545856
			for tyres		PVC brush with fine insert		2545857
			for tyres		PVC		1406248
GRW 280i	H212	1 - 9999	for tyres		Wooden brush		2295331
			for tyres		PVC		1406248
	H244	1 - 9999	for tyres		PVC		1406248
			for tyres		PVC brush with fine insert		2545857
			for tyres		PVC brush		2545856
GRW 180i	H228	1 - 9999	for tyres		Wooden brush		2295331
			for tyres		PVC		1406248
GRW 280	H195	1 - 9999	for tyres		Wooden brush		2295331
			for tyres		PVC		2171169
	H229	1 - 45	for tyres		PVC		2171169
		1 - 9999	for tyres		Wooden brush		2295331
		46 - 9999	for tyres		PVC		1406248
GRW 10	H178, H190	1 - 9999	for tyres		Wooden brush		2295331
			for tyres		PVC		1406248
GRW 15	H178, H190	1 - 9999	for tyres		Wooden brush		2295331
			for tyres		PVC		1406248



SCRAPER							
Series code	Serial code	Series range	Type	Width	Version	Position	Part no.
GRW 18	H178, H190	1 - 9999	for tyres		Wooden brush		2295331
			for tyres		PVC		1406248

Original HAMM

## RUBBER BUFFERS



In daily construction site use, genuine HAMM rubber buffers prevent the powerful compaction forces generated by the vibratory and oscillating drums from transmitting harmful vibrations to the roller.

Depending on the roller type, the rubber buffers are positioned either between the drum and cam or between the cam and bracket sheet.

Genuine HAMM rubber buffers ensure that the torque from the travel drive is reliably transmitted even under the toughest construction site conditions.

They provide maximum roller operator comfort with minimal maintenance costs.



> Read more online

### RUBBER BUFFERS

The rubber buffers prevent harmful vibrations from being transmitted to the roller.



RUBBER BUFFERS			
Series code	Serial code	Type	Part no.
H 5i	H222, H270	for drums	1487116
H 7i	H222, H270	for drums	1487116



RUBBER BUFFERS			
Series code	Serial code	Type	Part no.
H 10i	H235, H266, H284	for drums	1487116
H 11i	H211, H235, H266, H284	for drums	1487116
H 11ix	H210	for drums	1487116
H 12i	H235, H266, H284	for drums	1487116
H 13i	H211, H234, H267	for drums	1524771
H 13ix	H210	for drums	1524771
H 14i	H234, H267	for drums	1524771
H 16i	H211, H234, H267	for drums	1524771
H 18i	H202, H233, H268	for drums	1524771
H 20i	H202, H233, H268	for drums	1524771
H 25i	H202, H233, H268	for drums	1524771
H 25i VC	H238	for drums	1524771
3205	H188	for drums	1487116
3307	H189	for drums	1487116
3410	H179, H217, H221	for drums	1487116
3411	H179, H217, H221	for drums	1487116
3412	H180, H214	for drums	1524771
3414	H180, H214	for drums	1524771
3516	H176, H215	for drums	1524771
3518	H176, H215	for drums	1524771
3520	H176, H215	for drums	1524771
3625	H177	for drums	1524771
318	H239	for drums	1524771
320	H239	for drums	1524771
322	H239	for drums	1524771
325	H239	for drums	1524771
HD 8	H199	for drums	2029281

Original HAMM

# RUBBER BUFFERS

RUBBER BUFFERS			
Series code	Serial code	Type	Part no.
HD 10C	H199	for drums	2029281
HD 8	H263	for drums	2029281
HD 9	H263	for drums	2029281
HD 10C	H263	for drums	2029281
HD 10	H262	for drums	2029281
HD 10i	H251	for drums	2029281
HD 12	H262	for drums	2029281
HD 12i	H251	for drums	2029281
HD 13	H201	for drums	1487116
HD 13i	H231, H265, H285	for drums	1487116
HD 14	H201	for drums	1487116
HD 14i	H231, H265, H285	for drums	1487116
HD 30	H247	for drums	2029281
HD 35	H247	for drums	2029281
HD+ 70i	H186, H272	for drums	1487116
HD+ 80i	H186, H272	for drums	1487116
HD+ 90	H185	for drums	1487116
HD+ 90i	H209	for drums	1487116
HD+ 90	H258	for drums	1487116
HD+ 90i	H242	for drums	1487116
HD+ 90i PH	H241, H276	for drums	1487116
HD+ 110	H185, H258	for drums	1487116
HD+ 110i	H209, H242	for drums	1487116
HD+ 120	H184, H259	for drums	1524771
HD+ 120i	H207, H243, H274	for drums	1524771
HD+ 140	H184, H259	for drums	1524771
HD+ 140i	H207, H243, H274	for drums	1524771





RUBBER BUFFERS			
Series code	Serial code	Type	Part no.
HD 70	H187	for drums	354082
HD 75	H187	for drums	354082
HD 90	H174, H181	for drums	354082
HD 110	H174, H181	for drums	354082
HD 120	H182	for drums	354082
HD 130	H182	for drums	354082
DV 65	H197	for drums	1487116
DV 70	H191	for drums	1487116
DV 85	H198	for drums	1487116
DV 90	H192	for drums	1487116
DV+ 70i	H225, H277	for drums	1487116
DV+ 90i	H226, H246, H278	for drums	1487116

Original HAMM

# UNDERCARRIAGE WHEEL DRIVE



Today, HAMM soil compactors achieve maximum gradeability in the most difficult terrain. At the same time, the tyres on the soil compactors are subjected to extreme stress. Genuine HAMM tyres are optimised for all conditions, guaranteeing reliable traction and the best possible handling.

The design of the tyres and rims as well as the rubber compound used are specially designed to meet the requirements of asphalt construction. The compaction effect varies depending on the air pressure of the tyres.



> Read more online

## EARTHWORKS TYRES

HAMM earthworks tyres are available with different treads depending on the machine type and location of operation. For example, earthworks tyres with tractor tread are suitable for loamy and soft soils. On particularly stony soils, on the other hand, we recommend tyres with diamond tread.



EARTHWORKS TYRES			
Series code	Serial code	Version	Part no.
H 5i	H222	Diamond tread	2388996
		Tractor tread	364193
H 7i	H222	Diamond tread	2213630
		Tractor tread	355127



EARTHWORKS TYRES			
Series code	Serial code	Version	Part no.
H 11i	H211, H235	Tractor tread	342009
		Diamond tread	387851
H 11ix	H210	Tractor tread	342009
		Diamond tread	387851
H 12i	H235	Diamond tread	387851
		Tractor tread	342009
H 13i	H211, H234	Diamond tread	387851
		Tractor tread	342009
H 13ix	H210	Diamond tread	387851
		Tractor tread	342009
H 16i	H211, H234	Diamond tread	387851
		Tractor tread	342009
H 18i	H202, H233	Diamond tread	387851
		Tractor tread	342009
H 20i	H202, H233	Diamond tread	387851
		Tractor tread	342009
H 25i	H202	Diamond tread	387851
		Tractor tread	2129836
	H233	Tractor tread	2129836
3205	H188	Tractor tread	364193
		Diamond tread	2030936
3307	H189	Tractor tread	355127
		Diamond tread	2213630
3410	H179, H206, H217	Diamond tread	387851
		Tractor tread	342009
3411	H179, H206, H217	Diamond tread	387851
		Tractor tread	342009

# UNDERCARRIAGE WHEEL DRIVE

EARTHWORKS TYRES			
Series code	Serial code	Version	Part no.
3411	H221	Tractor tread	7024906
		Diamond tread	7021312
3412	H180, H214	Diamond tread	387851
		Tractor tread	342009
3414	H180, H214	Diamond tread	387851
		Tractor tread	342009
3516	H176, H215	Diamond tread	387851
		Tractor tread	342009
3518	H176, H215	Diamond tread	387851
		Tractor tread	342009
3520	H176, H215	Diamond tread	387851
		Tractor tread	342009
3625	H177	Tractor tread	2129836
318	H239	Diamond tread	387851
		Tractor tread	342009
320	H239	Diamond tread	387851
		Tractor tread	342009
322	H239	Diamond tread	387851
		Tractor tread	342009
325	H239	Diamond tread	387851
		Tractor tread	342009



## ROCK TYRES

HAMM rock tyres offer excellent traction and are characterised by their high resistance to damage. The tyres' diamond tread is particularly suitable for stony soils.



ROCK TYRES			
Series code	Serial code	Version	Part no.
H 11i	H211, H235	Option	1289926
		Standard	2071620
H 11ix	H210	Standard	2071620
		Option	1289926
H 12i	H235	Option	1289926
		Standard	2071620
H 13i	H211, H234	Option	1289926
		Standard	2071620
H 13ix	H210	Option	1289926
		Standard	2071620
H 16i	H211, H234	Option	1289926
		Standard	2071620
H 18i	H202, H233	Option	1232975
		Standard	2068866
H 20i	H202, H233	Option	1232975
		Standard	2068866
H 25i	H202, H233	Option	1232975
		Standard	2068866
H 25i VC	H238	Option	1232975
		Standard	2068866
3410	H179, H206, H217, H269	Option	1289926

Original HAMM

# UNDERCARRIAGE WHEEL DRIVE

ROCK TYRES			
Series code	Serial code	Version	Part no.
3410	H179, H206, H217, H269	Standard	2071620
3411	H179, H206, H217, H269	Option	1289926
		Standard	2071620
3412	H180, H214	Option	1289926
		Standard	2071620
3414	H180, H214	Option	1289926
		Standard	2071620
3516	H176, H215	Option	1289926
		Standard	2071620
3518	H176	Option	1232975
		Standard	2068866
3520	H176	Option	1232975
		Standard	2068866
3625	H177	Option	1232975
		Standard	2068866

## SMOOTH TYRES

Smooth tyres for asphalt construction deliver the best compaction results.



SMOOTH TYRES				
Series code	Serial code	Series range	Version	Part no.
HD 10C	H199	1 - 5316		1270745
		5317 - 9999		2604638



SMOOTH TYRES				
Series code	Serial code	Series range	Version	Part no.
HD 10	H200	1 - 9999		1270745
	H262	1 - 276		1270745
		277 - 9999		2604638
HD 10i	H251	1 - 9999		2604638
HD 12	H200	1 - 945		2080808
		946 - 2812		1270745
		2813 - 9999		2080808
	H230	1 - 1509		2080808
		1510 - 9999		2604640
	H262	1 - 348		2080808
349 - 9999			2604640	
HD 12i	H251	1 - 9999		2604640
HD 13	H201	1 - 9999		2172109
HD 13i	H231	1 - 9999		2172109
HD 14	H201	1 - 9999		2172109
HD 14i	H231	1 - 9999		2172109
HD 14 TT	H208	1 - 9999		2172109
HD 30	H247	1 - 9999		2604638
HD 35	H247	1 - 9999		2604640
HD+ 70i	H186	1 - 9999	Dunlop	1209353
			Michelin	329096
HD+ 80i	H186	1 - 9999	Michelin	329096
			Dunlop	1209353
HD+ 90	H185	1 - 9999	Michelin	329096
			Dunlop	1209353
HD+ 90i	H209	1 - 9999	Dunlop	1209353

Original HAMM

# UNDERCARRIAGE WHEEL DRIVE

SMOOTH TYRES				
Series code	Serial code	Series range	Version	Part no.
HD+ 90i	H209	1 - 9999	Michelin	329096
HD+ 90	H258	1 - 9999	Dunlop	1209353
			Michelin	329096
HD+ 90i	H242	1 - 9999	Dunlop	1209353
			Michelin	329096
HD+ 90i PH	H241	1 - 9999	Michelin	329096
			Dunlop	1209353
HD+ 110	H185	1 - 9999	Dunlop	1209353
			Michelin	329096
	H258	1 - 9999	Michelin	329096
			Dunlop	1209353
HD+ 110i	H209	1 - 9999	Michelin	329096
			Dunlop	1209353
	H242	1 - 9999	Dunlop	1209353
			Michelin	329096
HD 70	H187	1 - 9999	Michelin	329096
			Dunlop	1209353
HD 75	H187	1 - 9999	Dunlop	1209353
			Michelin	329096
HD 90	H174	1 - 9999	Dunlop	1209353
			Michelin	329096
	H181	1 - 9999	Michelin	329096
			Dunlop	1209353
HD 110	H174	1 - 9999	Michelin	329096
			Dunlop	1209353
	H181	1 - 9999	Dunlop	1209353





SMOOTH TYRES				
Series code	Serial code	Series range	Version	Part no.
HD 110	H181	1 - 9999	Michelin	329096
DV 65	H197	1 - 9999	Michelin	329096
			Dunlop	1209353
DV 70	H191	1 - 9999	Michelin	329096
			Dunlop	1209353
DV 85	H198	1 - 9999	Michelin	329096
			Dunlop	1209353
DV 90	H192	1 - 9999	Michelin	329096
			Dunlop	1209353
DV+ 70i	H225	1 - 9999	Michelin	329096
			Dunlop	1209353
DV+ 90i	H226, H246	1 - 9999	Michelin	329096
			Dunlop	1209353
HD 150 TT	H183, H193	1 - 9999	Dunlop	1209353
			Michelin	329096
			HAMM	2301739
HP 280	H249	1 - 9999	Dunlop	1209353
			Michelin	329096
			HAMM	2301739
HP 280i	H271	1 - 9999	Dunlop	1209353
			Michelin	329096
			HAMM	2301739
GRW 280i	H212, H244	1 - 9999	Dunlop	1209353
			Michelin	329096
			HAMM	2301739
GRW 180i	H228	1 - 9999	Dunlop	1209353

# UNDERCARRIAGE WHEEL DRIVE

SMOOTH TYRES				
Series code	Serial code	Series range	Version	Part no.
GRW 180i	H228	1 - 9999	Michelin	329096
			HAMM	2301739
GRW 280	H195, H229	1 - 9999	Dunlop	1209353
			Michelin	329096
			HAMM	2301739
GRW 10	H178, H190	1 - 9999	Dunlop	1209353
			Michelin	329096
			HAMM	2301739
GRW 15	H178, H190	1 - 9999	Dunlop	1209353
			Michelin	329096
			HAMM	2301739
GRW 18	H178, H190	1 - 9999	Dunlop	1209353
			Michelin	329096
			HAMM	2301739
GRW 21	H178, H190	1 - 9999	Dunlop	1209353
			Michelin	329096
			HAMM	2301739
GRW 24	H178, H190	1 - 9999	Dunlop	1209353
			Michelin	329096
			HAMM	2301739



# WINDSCREEN CLEANING



The genuine HAMM windscreen wiper system is perfectly tailored to the modern cabin concepts of HAMM rollers. Thanks to their high-performance design, the windscreen wipers ensure the operator has the best all-round visibility even in the most adverse weather conditions. The genuine HAMM

windscreen wiper system is both extremely reliable and low-maintenance. The rubber parts used for the wipers are optimised for use on construction sites of all kinds. In addition to the wiper motor, wiper arms, wiper blades and nozzles are also available.



> Read more online

## NOZZLES

Nozzles from HAMM are ideally sized and calibrated to efficiently clean the windscreen.



NOZZLES			
Series code	Serial code	Position	Part no.
H 10i	H235, H266, H284	rear	2292460
H 11i	H211	front; rear	2292460
	H235, H266, H284	rear	2292460
H 11ix	H210	front; rear	2292460



# WINDSCREEN CLEANING

NOZZLES			
Series code	Serial code	Position	Part no.
H 12i	H235, H266, H284	rear	2292460
H 13i	H211	front; rear	2292460
	H234, H267	rear	2292460
H 13ix	H210	front; rear	2292460
H 14i	H234, H267	rear	2292460
H 16i	H211	front; rear	2292460
	H234, H267	rear	2292460
H 18i	H202	front; rear	2292460
	H233, H268	rear	2292460
H 20i	H202	front; rear	2292460
	H233, H268	rear	2292460
H 25i	H202	front; rear	2292460
	H233, H268	rear	2292460
H 25i VC	H238	front; rear	2292460
HD 13	H201	front; rear	2314336
HD 13i	H231, H265, H285	front; rear	2314336
HD 14	H201	front; rear	2314336
HD 14i	H231, H265, H285	front; rear	2314336



## WIPER ARMS

Wiper arms made of metal, combined with wiper blades and their rubber profile, are designed for universal use.



WIPER ARMS				
Series code	Serial code	Series range	Position	Part no.
H 5i	H222	1 - 9999	rear	2465082
			front	2464968
	H270	1 - 9999	front	2464968
			rear	2465082
H 7i	H222	1 - 9999	front	2464968
			rear	2465082
	H270	1 - 9999	rear	2465082
			front	2464968
H 10i	H235, H266	1 - 9999	rear	2294906
			front	2606813
	H284	1 - 9999	front	2606813
			rear	2294906
H 11i	H211	1 - 9999	rear	2294906
			front	2187241
	H235	1 - 9999	rear	2294906
			front	2606813
	H266	1 - 9999	front	2606813
			rear	2294906
	H284	1 - 9999	rear	2294906
			front	2606813



Original HAMM

# WINDSCREEN CLEANING

WIPER ARMS				
Series code	Serial code	Series range	Position	Part no.
H 11ix	H210	1 - 9999	rear	2294906
			front	2187241
H 12i	H235	1 - 9999	front	2606813
			rear	2294906
	H266	1 - 9999	rear	2294906
			front	2606813
	H284	1 - 9999	front	2606813
			rear	2294906
H 13i	H211	1 - 9999	front	2187241
			rear	2294906
	H234	1 - 9999	rear	2294906
			front	2606813
	H267	1 - 9999	front	2606813
			rear	2294906
H 13ix	H210	1 - 9999	rear	2294906
			front	2187241
H 14i	H234	1 - 9999	rear	2294906
			front	2606813
	H267	1 - 9999	front	2606813
			rear	2294906
H 16i	H211	1 - 9999	front	2187241
			rear	2294906
	H234	1 - 9999	front	2606813
			rear	2294906
	H267	1 - 9999	rear	2294906
			front	2606813



WIPER ARMS				
Series code	Serial code	Series range	Position	Part no.
H 18i	H202	1 - 9999	rear	2294906
			front	2187241
	H233	1 - 9999	rear	2294906
			front	2606813
	H268	1 - 9999	front	2606813
			rear	2294906
H 20i	H202	1 - 9999	front	2187241
			rear	2294906
	H233, H268	1 - 9999	rear	2294906
			front	2606813
H 25i	H202	1 - 9999	rear	2294906
			front	2187241
	H233	1 - 9999	front	2606813
			rear	2294906
	H268	1 - 9999	rear	2294906
			front	2606813
H 25i VC	H238	1 - 9999	front	2187241
			rear	2294906
3410	H179	1 - 1224	front	1272152
			rear	2073692
	H206	1 - 9999	rear	2073692
			front	2187241
	H217	1 - 9999	front	2187241
			rear	2073692
3411	H179	1 - 1224	rear	2073692
			front	1272152

# WINDSCREEN CLEANING

WIPER ARMS				
Series code	Serial code	Series range	Position	Part no.
3411	H206, H217	1 - 9999	rear	2073692
			front	2187241
3412	H180	1 - 1365	front	1272152
		1 - 9999	rear	2073692
		1366 - 9999	front	2187241
	H214	1 - 9999	rear	2073692
front			2187241	
3414	H180	1 - 1365	front	1272152
		1 - 9999	rear	2073692
		1366 - 9999	front	2187241
	H214	1 - 9999	rear	2073692
front			2187241	
HD 13	H201	1 - 9999	front	2315165
			rear	2314580
HD 13i	H231, H265, H285	1 - 9999	front	2315165
			rear	2314580
HD 14	H201	1 - 9999	rear	2314580
			front	2315165
HD 14i	H231, H265, H285	1 - 9999	rear	2314580
			front	2315165
HD+ 70i	H186	1 - 9999	rear left	2135308
			rear right	2135313
			front	2135317
	H272	1 - 9999	front	2135317
			rear left	2135308
			rear right	2135313





WIPER ARMS				
Series code	Serial code	Series range	Position	Part no.
HD+ 80i	H186, H272	1 - 9999	rear left	2135308
			rear right	2135313
			front	2135317
HD+ 90	H185	1 - 9999	rear left	2135308
			rear right	2135313
			front	2135317
HD+ 90i	H209	1 - 9999	front	2135317
			rear right	2135313
			rear left	2135308
HD+ 90	H258	1 - 9999	rear left	2135308
			rear right	2135313
			front	2135317
HD+ 90i	H242	1 - 9999	rear left	2135308
			rear right	2135313
			front	2135317
HD+ 90i PH	H241	1 - 9999	rear left	2135308
			rear right	2135313
			front	2135317
HD+ 110	H185	1 - 9999	rear left	2135308
			rear right	2135313
			front	2135317
	H258	1 - 9999	front	2135317
			rear right	2135313
			rear left	2135308
HD+ 110i	H209	1 - 9999	rear left	2135308
			rear right	2135313

# WINDSCREEN CLEANING

WIPER ARMS				
Series code	Serial code	Series range	Position	Part no.
HD+ 110i	H209	1 - 9999	front	2135317
	H242	1 - 9999	front	2135317
			rear left	2135308
			rear right	2135313
HD+ 120	H184	1 - 9999	front	2135321
			rear left	2135308
			rear right	2135313
	H259	1 - 9999	rear left	2135308
			rear right	2135313
			front	2135321
HD+ 120i	H207, H243	1 - 9999	rear left	2135308
			rear right	2135313
			front	2135321
	H274	1 - 9999	rear left	2135308
			front	2135321
			rear right	2135313
HD+ 140	H184	1 - 9999	rear right	2135313
			front	2135321
			rear left	2135308
	H259	1 - 9999	front	2135321
			rear right	2135313
			rear left	2135308
HD+ 140i	H207	1 - 9999	front	2135321
			rear left	2135308
			rear right	2135313
	H243	1 - 9999	rear left	2135308



WIPER ARMS				
Series code	Serial code	Series range	Position	Part no.
HD+ 140i	H243	1 - 9999	rear right	2135313
			front	2135321
	H274	1 - 9999	rear left	2135308
			front	2135321
			rear right	2135313
HD 70	H187	1 - 9999	front	1249371
			rear	1249150
HD 75	H187	1 - 9999	front	1249371
			rear	1249150
HD 90	H174	1 - 9999	front	1249371
			rear	1249150
	H181	1 - 9999	rear	1249150
			front	1249371
HD 110	H174	1 - 9999	rear	1249150
			front	1249371
	H181	1 - 9999	front	1249371
			rear	1249150
HD 120	H182	1 - 9999	rear	1249150
			front	1249371
HD 130	H182	1 - 9999	front	1249371
			rear	1249150
DV 65	H197	1 - 9999	front; rear	2035371
DV 70	H191	1 - 9999	front; rear	2035371
DV 85	H198	1 - 9999	front; rear	2035371
DV 90	H192	1 - 9999	front; rear	2035371
DV+ 70i	H225, H277	1 - 9999	front left; rear right	2473406

# WINDSCREEN CLEANING

WIPER ARMS				
Series code	Serial code	Series range	Position	Part no.
DV+ 70i	H225, H277	1 - 9999	front right; rear left	2470398
DV+ 90i	H226, H246, H278	1 - 9999	front right; rear left	2470338
			front left; rear right	2470336
HD 150 TT	H183	1 - 9999	rear	1249150
			front	1249371
	H193	1 - 9999	front	1249371
			rear	1249150
HW 90	H123	1 - 9999	front	2501726
			rear	207683
HP 280	H249	1 - 9999	front left	2641690
			rear	2641693
			front right	2641687
HP 240	H283	1 - 9999	rear	2641693
			front left	2641690
			front right	2641687
HP 280i	H271	1 - 9999	front right	2641687
			front left	2641690
			rear	2641693
HP 240i	H282	1 - 9999	front right	2641687
			front left	2641690
			rear	2641693
GRW 280i	H212	1 - 9999	rear left	2162358
			rear right	2162363
			front	2264973
	H244	1 - 9999	front left	2641690
			front right	2641687



WIPER ARMS				
Series code	Serial code	Series range	Position	Part no.
GRW 280i	H244	1 - 9999	rear	2641693
GRW 180i	H228	1 - 9999	rear left	2162358
			front	2264973
			rear right	2162363
GRW 280	H195	1 - 238	front	2135321
		1 - 9999	rear left	2162358
			rear right	2162363
	H229	239 - 9999	front	2264973
		1 - 9999	front	2264973
			rear right	2162363
GRW 10	H178	1 - 9999	front; rear	2501726
	H190	1 - 9999	front; rear	2501726
GRW 15	H178	1 - 9999	front; rear	2501726
	H190	1 - 9999	front; rear	2501726
GRW 18	H178	1 - 9999	front; rear	2501726
	H190	1 - 9999	front; rear	2501726

Original HAMM

# WINDSCREEN CLEANING

## WIPER BLADES

The wiper blades can be fitted quickly and easily.



WIPER BLADES				
Series code	Serial code	Series range	Position	Part no.
H 5i	H222, H270	1 - 9999	front	2464970
			rear	2465084
H 7i	H222, H270	1 - 9999	rear	2465084
			front	2464970
H 10i	H235, H266, H284	1 - 9999	rear	2073691
			front	2606816
H 11i	H211	1 - 9999	front	2294908
			rear	2073691
	H235	1 - 9999	rear	2073691
			front	2606816
	H266, H284	1 - 9999	front	2606816
			rear	2073691
H 11ix	H210	1 - 9999	front	2294908
			rear	2073691
H 12i	H235, H266, H284	1 - 9999	rear	2073691
			front	2606816
H 13i	H211	1 - 9999	front	2294908
			rear	2073691
	H234	1 - 9999	front	2606816
			rear	2073691



WIPER BLADES				
Series code	Serial code	Series range	Position	Part no.
H 13i	H267	1 - 9999	rear	2073691
			front	2606816
H 13ix	H210	1 - 9999	rear	2073691
			front	2294908
H 14i	H234, H267	1 - 9999	rear	2073691
			front	2606816
H 16i	H211	1 - 9999	front	2294908
			rear	2073691
	H234, H267	1 - 9999	front	2606816
			rear	2073691
H 18i	H202	1 - 9999	rear	2073691
			front	2294908
	H233, H268	1 - 9999	rear	2073691
			front	2606816
H 20i	H202	1 - 9999	rear	2073691
			front	2294908
	H233, H268	1 - 9999	rear	2073691
			front	2606816
H 25i	H202	1 - 9999	rear	2073691
			front	2294908
	H233	1 - 9999	front	2606816
			rear	2073691
	H268	1 - 9999	rear	2073691
			front	2606816
H 25i VC	H238	1 - 9999	front	2294908
			rear	2073691

Original HAMM

# WINDSCREEN CLEANING

WIPER BLADES				
Series code	Serial code	Series range	Position	Part no.
3516	H176	1 - 9999	rear	2073691
			front	1272187
	H215	1 - 9999	front	1272187
			rear	2073691
3518	H176, H215	1 - 9999	front	1272187
			rear	2073691
3520	H176	1 - 9999	rear	2073691
			front	1272187
	H215	1 - 9999	front	1272187
			rear	2073691
3625	H177	1 - 9999	front	1272187
			rear	2073691
HD 13	H201	1 - 9999	rear	2314360
			front	1249169
HD 13i	H231, H265, H285	1 - 9999	front	1249169
			rear	2314360
HD 14	H201	1 - 9999	rear	2314360
			front	1249169
HD 14i	H231, H265	1 - 9999	front	1249169
			rear	2314360
	H285	1 - 9999	rear	2314360
			front	1249169
HD+ 70i	H186	1 - 9999	front	2135320
			rear	2135311
	H272	1 - 9999	rear	2135311
			front	2135320





WIPER BLADES				
Series code	Serial code	Series range	Position	Part no.
HD+ 80i	H186	1 - 9999	rear	2135311
			front	2135320
	H272	1 - 9999	front	2135320
			rear	2135311
HD+ 90	H185	1 - 9999	rear	2135311
			front	2135320
HD+ 90i	H209	1 - 9999	rear	2135311
			front	2135320
HD+ 90	H258	1 - 9999	front	2135320
			rear	2135311
HD+ 90i	H242	1 - 9999	front	2135320
			rear	2135311
HD+ 90i PH	H241, H276	1 - 9999	rear	2135311
			front	2135320
HD+ 110	H185	1 - 9999	front	2135320
			rear	2135311
	H258	1 - 9999	rear	2135311
			front	2135320
HD+ 110i	H209, H242	1 - 9999	rear	2135311
			front	2135320
HD+ 120	H184	1 - 9999	rear	2135311
			front	2135320
	H259	1 - 9999	front	2135320
			rear	2135311
HD+ 120i	H207	1 - 9999	rear	2135311
			front	2135320

# WINDSCREEN CLEANING

WIPER BLADES				
Series code	Serial code	Series range	Position	Part no.
HD+ 120i	H243	1 - 9999	front	2135320
			rear	2135311
	H274	1 - 9999	rear	2135311
			front	2135320
HD+ 140	H184, H259	1 - 9999	rear	2135311
			front	2135320
HD+ 140i	H207, H243	1 - 9999	rear	2135311
			front	2135320
	H274	1 - 9999	front	2135320
			rear	2135311
HD 70	H187	1 - 9999	front	1249398
			rear	1249169
HD 75	H187	1 - 9999	rear	1249169
			front	1249398
HD 90	H174	1 - 9999	front	1249398
			rear	1249169
	H181	1 - 9999	rear	1249169
			front	1249398
HD 110	H174	1 - 9999	front	1249398
			rear	1249169
	H181	1 - 9999	rear	1249169
			front	1249398
HD 120	H182	1 - 9999	front	1249398
			rear	1249169
HD 130	H182	1 - 9999	rear	1249169
			front	1249398



WIPER BLADES				
Series code	Serial code	Series range	Position	Part no.
DV 65	H197	1 - 9999	front; rear	2035372
DV 70	H191	1 - 9999	front; rear	2035372
DV 85	H198	1 - 9999	front; rear	2035372
DV 90	H192	1 - 9999	front; rear	2035372
DV+ 70i	H225, H277	1 - 9999	front right; rear left	2471086
			front left; rear right	1249169
DV+ 90i	H226, H246, H278	1 - 9999	front; rear	2471086
HD 150 TT	H183, H193	1 - 9999	front	1249398
			rear	1249169
HW 90	H123	1 - 9999	rear	224901
			front	385999
HP 280	H249	1 - 9999	rear	2135311
			front	2641686
HP 240	H283	1 - 9999	rear	2135311
			front	2641686
HP 280i	H271	1 - 9999	rear	2135311
			front	2641686
HP 240i	H282	1 - 9999	front	2641686
			rear	2135311
GRW 280i	H212	1 - 9999	front	2264972
			rear	2162361
	H244	1 - 9999	rear	2135311
			front	2641686
GRW 180i	H228	1 - 9999	rear	2162361
			front	2264972
GRW 280	H195	1 - 238	rear	2162361

Original HAMM

# WINDSCREEN CLEANING

WIPER BLADES				
Series code	Serial code	Series range	Position	Part no.
GRW 280	H195	1 - 238	front	2135320
		239 - 9999	front	2264972
			rear	2264975
	H229	1 - 9999	rear	2162361
			front	2264972
GRW 10	H178, H190	1 - 9999	front; rear	385999
GRW 15	H178, H190	1 - 9999	front; rear	385999
GRW 18	H178, H190	1 - 9999	front; rear	385999

## WIPER MOTORS

The high-performance wiper motor reliably controls the wiper arms even in heavy rain.



WIPER MOTORS				
Series code	Serial code	Series range	Position	Part no.
H 5i	H222, H270	1 - 9999	front	2464966
			rear	2465074
H 7i	H222	1 - 9999	rear	2465074
			front	2464966
	H270	1 - 9999	front	2464966
			rear	2465074
H 10i	H235, H266, H284	1 - 9999	rear	2294905
			front	2606817



WIPER MOTORS				
Series code	Serial code	Series range	Position	Part no.
H 11i	H211	1 - 9999	front	2294910
			rear	2294905
	H235	1 - 9999	rear	2294905
			front	2606817
	H266	1 - 9999	front	2606817
			rear	2294905
	H284	1 - 9999	rear	2294905
			front	2606817
H 11ix	H210	1 - 9999	rear	2294905
			front	2294910
H 12i	H235	1 - 9999	rear	2294905
			front	2606817
	H266	1 - 9999	front	2606817
			rear	2294905
	H284	1 - 9999	rear	2294905
			front	2606817
H 13i	H211	1 - 9999	front	2294910
			rear	2294905
	H234	1 - 9999	front	2606817
			rear	2294905
	H267	1 - 9999	rear	2294905
			front	2606817
H 13ix	H210	1 - 9999	rear	2294905
			front	2294910
H 14i	H234, H267	1 - 9999	rear	2294905
			front	2606817

# WINDSCREEN CLEANING

WIPER MOTORS				
Series code	Serial code	Series range	Position	Part no.
H 16i	H211	1 - 9999	front	2294910
			rear	2294905
	H234	1 - 9999	front	2606817
			rear	2294905
	H267	1 - 9999	rear	2294905
			front	2606817
H 18i	H202	1 - 9999	rear	2294905
			front	2294910
	H233	1 - 9999	rear	2294905
			front	2606817
	H268	1 - 9999	front	2606817
			rear	2294905
H 20i	H202	1 - 9999	rear	2294905
			front	2294910
	H233	1 - 9999	front	2606817
			rear	2294905
	H268	1 - 9999	rear	2294905
			front	2606817
H 25i	H202	1 - 9999	rear	2294905
			front	2294910
	H233, H268	1 - 9999	front	2606817
			rear	2294905
H 25i VC	H238	1 - 9999	rear	2294905
			front	2294910
3205	H188	1 - 52	front	1270036
			rear	1270044



WIPER MOTORS				
Series code	Serial code	Series range	Position	Part no.
3205	H188	53 - 9999	rear	2187516
			front	2187419
3307	H189	1 - 246	front	1270036
			rear	1270044
		247 - 9999	rear	2187516
			front	2187419
3410	H179	1225 - 9999	rear	2187516
			front	2187419
3411	H179	1225 - 9999	front	2187419
			rear	2187516
HD 13	H201	1 - 9999	front; rear	2243012
HD 13i	H231, H265, H285	1 - 9999	front; rear	2243012
HD 14	H201	1 - 9999	front; rear	2243012
HD 14i	H231, H265, H285	1 - 9999	front; rear	2243012
HD+ 70i	H186	1 - 9999	front	2135318
			rear right	2132778
			rear left	2132774
	H272	1 - 9999	front	2135318
			rear left	2132774
			rear right	2132778
HD+ 80i	H186	1 - 9999	rear left	2132774
			rear right	2132778
			front	2135318
	H272	1 - 9999	rear right	2132778
			front	2135318
			rear left	2132774

Original HAMM

# WINDSCREEN CLEANING

WIPER MOTORS				
Series code	Serial code	Series range	Position	Part no.
HD+ 90	H185	1 - 9999	rear left	2132774
			rear right	2132778
			front	2135318
HD+ 90i	H209	1 - 9999	front	2135318
			rear right	2132778
			rear left	2132774
HD+ 90	H258	1 - 9999	front	2135318
			rear right	2132778
			rear left	2132774
HD+ 90i	H242	1 - 9999	front	2135318
			rear right	2132778
			rear left	2132774
HD+ 90i PH	H241	1 - 9999	rear right	2132778
			rear left	2132774
			front	2135318
	H276	1 - 9999	rear left	2132774
			front	2135318
			rear right	2132778
HD+ 110	H185	1 - 9999	front	2135318
			rear right	2132778
			rear left	2132774
	H258	1 - 9999	rear left	2132774
			rear right	2132778
			front	2135318
HD+ 110i	H209	1 - 9999	rear left	2132774
			rear right	2132778





WIPER MOTORS				
Series code	Serial code	Series range	Position	Part no.
HD+ 110i	H209	1 - 9999	front	2135318
	H242	1 - 9999	rear left	2132774
			front	2135318
			rear right	2132778
HD+ 120	H184, H259	1 - 9999	rear left	2132774
			rear right	2132778
			front	2132775
HD+ 120i	H207, H243	1 - 9999	rear left	2132774
			rear right	2132778
			front	2132775
	H274	1 - 9999	rear right	2132778
			rear left	2132774
			front	2132775
HD+ 140	H184, H259	1 - 9999	rear left	2132774
			rear right	2132778
			front	2132775
HD+ 140i	H207, H243	1 - 9999	rear left	2132774
			rear right	2132778
			front	2132775
	H274	1 - 9999	front	2132775
			rear right	2132778
			rear left	2132774
HD 70	H187	1 - 9999	front	1247484
			rear	1247476
HD 75	H187	1 - 9999	front	1247484
			rear	1247476

Original HAMM

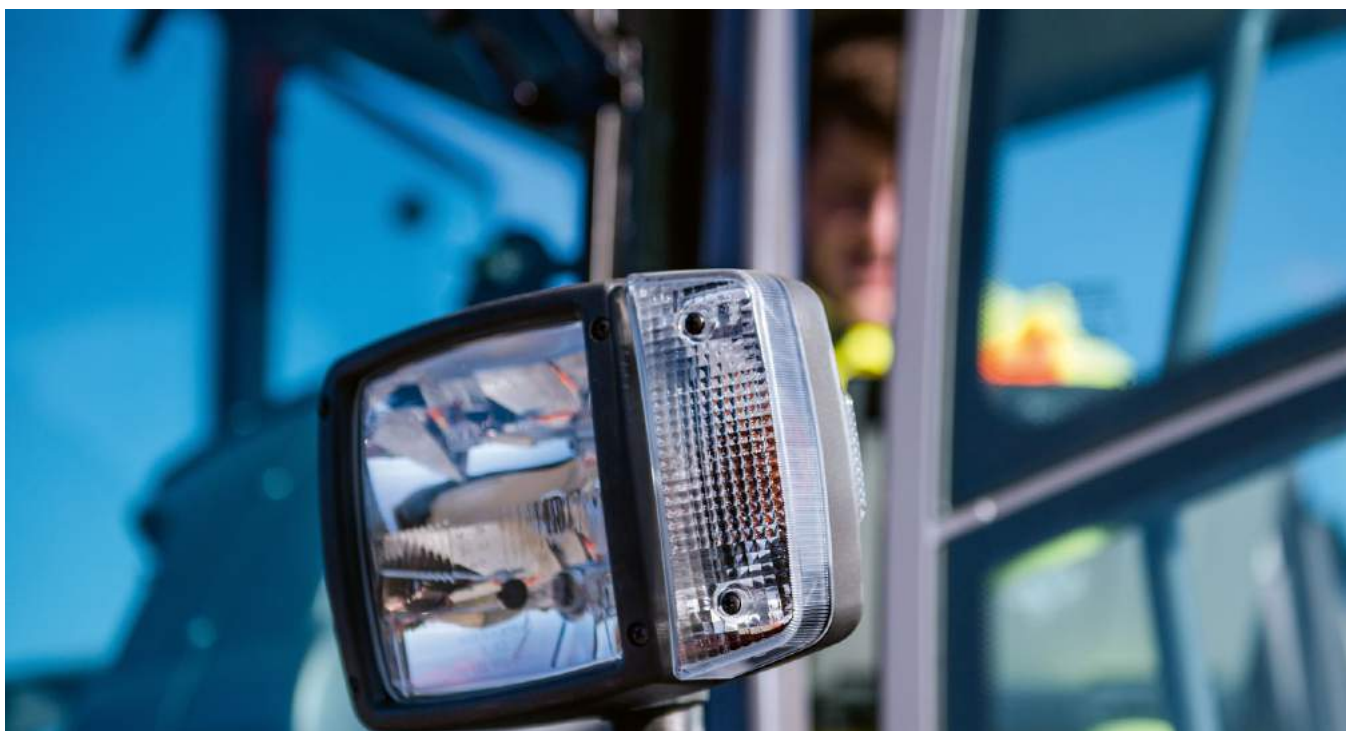
# WINDSCREEN CLEANING

WIPER MOTORS				
Series code	Serial code	Series range	Position	Part no.
HD 90	H174, H181	1 - 9999	front	1247484
			rear	1247476
HD 110	H174, H181	1 - 9999	front	1247484
			rear	1247476
HD 120	H182	1 - 9999	front	1247484
			rear	1247476
HD 130	H182	1 - 9999	front	1247484
			rear	1247476
DV 65	H197	1 - 9999	front; rear	2034533
DV 70	H191	1 - 9999	front; rear	2034533
DV 85	H198	1 - 9999	front; rear	2034533
DV 90	H192	1 - 9999	front; rear	2034533
DV+ 70i	H225, H277	1 - 9999	front; rear	2471084
DV+ 90i	H226, H246, H278	1 - 9999	front; rear	2471084
HD 150 TT	H183, H193	1 - 9999	front	1247484
			rear	1247476
HW 90	H123	1 - 9999	rear	534250
			front	356956
HP 280	H249	1 - 9999	rear	2641694
			front	2641692
HP 240	H283	1 - 9999	front	2641692
			rear	2641694
HP 280i	H271	1 - 9999	rear	2641694
			front	2641692
HP 240i	H282	1 - 9999	rear	2641694
			front	2641692



WIPER MOTORS				
Series code	Serial code	Series range	Position	Part no.
GRW 280i	H212	1 - 9999	rear right	2162359
			front	2264974
			rear left	2162364
	H244	1 - 9999	rear	2641694
			front	2641692
	GRW 180i	H228	1 - 9999	front
rear right				2162359
rear left				2162364
GRW 280	H195	1 - 238	front	2132775
		1 - 9999	rear right	2162359
			rear left	2162364
	239 - 9999	front	2264974	
	H229	1 - 9999	rear right	2162359
			front	2264974
rear left			2162364	
GRW 10	H178, H190	1 - 9999	front; rear	356956
GRW 15	H178, H190	1 - 9999	front; rear	356956
GRW 18	H178, H190	1 - 9999	front; rear	356956

# Original HAMM LIGHTING



The genuine HAMM lighting system makes it possible to safely operate our rollers on construction sites at night. The robust design of the headlights enables them to be used safely even under the toughest construction site

conditions. Lighting components are made of weatherproof and temperature-resistant material. In addition to the usual headlights and tail lights, HAMM also offers indicator lights, position lights and the corresponding bulbs.



> Read more online

## DRUM LIGHTING

HAMM drum lights specifically illuminate the entire working area.



DRUM LIGHTING				
Series code	Serial code	Version	Position	Part no.
HD+ 70i	H186, H272	LED	front; rear	2339317
HD+ 80i	H186, H272	LED	front; rear	2339317
HD+ 90	H185	LED	front; rear	2339317
HD+ 90i	H209	LED	front; rear	2339317



DRUM LIGHTING				
Series code	Serial code	Version	Position	Part no.
HD+ 90i	H209	Halogen	front; rear	330647
HD+ 90	H258	LED	front; rear	2339317
HD+ 90i	H242	LED	front; rear	2339317
		Halogen	front; rear	330647
	H241	LED	front; rear	2339317
HD+ 90i PH	H241, H276	LED	front; rear	2339317
HD+ 110	H185, H258	LED	front; rear	2339317
HD+ 110i	H209, H242	Halogen	front; rear	330647
		LED	front; rear	2339317
HD+ 110i PH	H241	LED	front; rear	2339317
HD+ 120	H184	LED	front; rear	2339317
	H259	LED	front; rear	2339317
		Halogen	front; rear	330647
HD+ 120i	H207	Halogen	front; rear	330647
		LED	front; rear	2339317
	H243, H274	LED	front; rear	2339317
		Halogen	front; rear	330647
HD+ 140	H184	LED	front; rear	2339317
	H259	Halogen	front; rear	330647
		LED	front; rear	2339317
HD+ 140i	H207, H243	Halogen	front; rear	330647
		LED	front; rear	2339317
	H274	LED	front; rear	2339317
		Halogen	front; rear	330647
DV 65	H197	Halogen	front; rear	330647
DV 70	H191	Halogen	front; rear	330647
DV 85	H198	Halogen	front; rear	330647

# Original HAMM LIGHTING

DRUM LIGHTING				
Series code	Serial code	Version	Position	Part no.
DV 90	H192	Halogen	front; rear	330647
DV+ 70i	H225, H277	LED	front; rear	2339317
		Halogen	front; rear	330647
DV+ 90i	H226, H246, H278	LED	front; rear	2339317
		Halogen	front; rear	330647

## POSITION LIGHTS

HAMM's practical position lights ensure that the machine's outline is always visible, even in complete darkness.



POSITION LIGHTS				
Series code	Serial code	Position	Part no.	
3410	H179, H206, H217	front right	2029266	
		front left	2029166	
	H221	front left	2029166	
		front right	2029266	
3411	H179	front right	2029266	
		front left	2029166	
	H206	front left	2029166	
		front right	2029266	
	H217	front right	2029266	
		front left	2029166	
	H221	front left	2029166	
		front right	2029266	
3412	H180	front left	2029166	



POSITION LIGHTS			
Series code	Serial code	Position	Part no.
3412	H180	front right	2029266
	H214	front right	2029266
		front left	2029166
3414	H180	front right	2029266
		front left	2029166
	H214	front left	2029166
		front right	2029266
3516	H176, H215	front left	2029166
		front right	2029266
3518	H176, H215	front right	2029266
		front left	2029166
3520	H176, H215	front left	2029166
		front right	2029266
3625	H177	front right	2029266
		front left	2029166
318	H239	front	2444119
320	H239	front	2444119
322	H239	front	2444119
325	H239	front	2444119
GRW 10	H178, H190	front left	2029166
		front right	2029266
GRW 15	H178, H190	front left	2029166
		front right	2029266
GRW 18	H178	front right	2029266
		front left	2029166
	H190	front left	2029166
		front right	2029266

# Original HAMM LIGHTING

POSITION LIGHTS			
Series code	Serial code	Position	Part no.
GRW 21	H178, H190	front left	2029166
		front right	2029266
GRW 24	H178, H190	front left	2029166
		front right	2029266

## INDICATOR LIGHTS

HAMM indicator lights are used to clearly and reliably indicate changes of direction.



INDICATOR LIGHTS				
Series code	Serial code	Series range	Position	Part no.
3205	H188	1 - 9999	rear	311685
3307	H189	1 - 9999	rear	311685
3410	H179, H206, H217, H221	1 - 9999	rear	311685
3411	H179, H206, H217, H221	1 - 9999	rear	311685
3412	H180, H214	1 - 9999	rear	311685
3414	H180, H214	1 - 9999	rear	311685
3516	H176, H215	1 - 9999	rear	311685
3518	H176, H215	1 - 9999	rear	311685
3520	H176, H215	1 - 9999	rear	311685
3625	H177	1 - 9999	rear	311685
318	H239	1 - 9999	rear	2374208
320	H239	1 - 9999	rear	2374208
322	H239	1 - 9999	rear	2374208





INDICATOR LIGHTS				
Series code	Serial code	Series range	Position	Part no.
325	H239	1 - 9999	rear	2374208
HD 8	H199	1 - 9999	front	2030858
HD 10C	H199	1 - 9999	front	2030858
HD 8	H263	1 - 9999	front	2030858
HD 9	H263	1 - 9999	front	2030858
HD 10C	H263	1 - 9999	front	2030858
HD 10	H262	1 - 9999	front	2030858
HD 10i	H251	1 - 9999	front	2030858
HD 12	H262	1 - 9999	front	2030858
HD 12i	H251	1 - 9999	front	2030858
HD 13	H201	1 - 9999	front	2030858
HD 13i	H231, H265, H285	1 - 9999	front	2030858
HD 14	H201	1 - 9999	front	2030858
HD 14i	H231, H265, H285	1 - 9999	front	2030858
HD 14 TT	H208	1 - 9999	front	2030858
HD 30	H247	1 - 9999	front	2030858
HD 35	H247	1 - 9999	front	2030858
HD+ 70i	H186, H272	1 - 9999	front	2142234
HD+ 80i	H186, H272	1 - 9999	front	2142234
HD+ 90	H185	1 - 9999	front	2142234
HD+ 90i	H209	1 - 9999	front	2142234
HD+ 90	H258	1 - 9999	front	2142234
HD+ 90i	H242	1 - 9999	front	2142234
HD+ 90i PH	H241, H276	1 - 9999	front	2142234
HD+ 110	H185, H258	1 - 9999	front	2142234
HD+ 110i	H209, H242	1 - 9999	front	2142234



Original HAMM  
**LIGHTING**

INDICATOR LIGHTS				
Series code	Serial code	Series range	Position	Part no.
HD+ 120	H184	1 - 243	front left	2066214
			front right	2066215
		244 - 9999	front	2142234
	H259	1 - 9999	front	2142234
HD+ 120i	H207, H243, H274	1 - 9999	front	2142234
HD+ 140	H184	1 - 243	front left	2066214
			front right	2066215
		244 - 9999	front	2142234
	H259	1 - 9999	front	2142234
HD+ 140i	H207, H243, H274	1 - 9999	front	2142234
HD 70	H187	1 - 9999	front; rear	311685
HD 75	H187	1 - 9999	front; rear	311685
HD 90	H174, H181	1 - 9999	front; rear	311685
HD 110	H174, H181	1 - 9999	front; rear	311685
HD 120	H182	1 - 9999	front; rear	311685
HD 130	H182	1 - 9999	front; rear	311685
DV 65	H197	1 - 9999	front; rear	311685
DV 70	H191	1 - 9999	front; rear	311685
DV 85	H198	1 - 9999	front; rear	311685
DV 90	H192	1 - 9999	front; rear	311685
DV+ 70i	H225, H277	1 - 9999	front	2142234
DV+ 90i	H226, H246, H278	1 - 9999	front	2142234
HD 150 TT	H183, H193	1 - 9999	front; rear	311685
HW 90	H123	1 - 9999	front	230375
HP 280	H249	1 - 9999	front	2142251
HP 240	H283	1 - 9999	front	2142251



### INDICATOR LIGHTS

Series code	Serial code	Series range	Position	Part no.
HP 280i	H271	1 - 9999	front	2142251
HP 240i	H282	1 - 9999	front	2142251
GRW 280i	H212, H244	1 - 9999	front	2142251
GRW 180i	H228	1 - 9999	front	2142251
GRW 280	H195, H229	1 - 9999	front	2142251

### REVERSING LIGHTS

HAMM's reversing lights not only benefit the driver by illuminating the area, they also signal to others that the machine is reversing.



### REVERSING LIGHTS

Series code	Serial code	Series range	Position	Part no.
H 5i	H222, H270	1 - 9999	rear	2030859
H 7i	H222, H270	1 - 9999	rear	2030859
H 10i	H266, H284	1 - 9999	rear	2030859
H 11i	H211, H235, H266, H284	1 - 9999	rear	2030859
H 11ix	H210	1 - 9999	rear	2030859
H 12i	H235, H266, H284	1 - 9999	rear	2030859
H 13i	H211, H234, H267	1 - 9999	rear	2030859
H 13ix	H210	1 - 9999	rear	2030859
H 13i VIO	H267	1 - 9999	rear	2030859
H 13i C	H267	1 - 9999	rear	2030859
H 14i	H267	1 - 9999	rear	2030859

Original HAMM  
**LIGHTING**

REVERSING LIGHTS				
Series code	Serial code	Series range	Position	Part no.
H 16i	H211, H234, H267	1 - 9999	rear	2030859
H 18i	H202, H233, H268	1 - 9999	rear	2030859
H 20i	H202, H233, H268	1 - 9999	rear	2030859
H 25i	H202, H233, H268	1 - 9999	rear	2030859
H 25i VC	H238	1 - 9999	rear	2030859
3205	H188	1 - 9999	rear	398225
3307	H189	1 - 9999	rear	398225
3410	H179, H206, H217, H221	1 - 9999	rear	398225
3411	H179, H206, H217, H221	1 - 9999	rear	398225
3412	H180, H214	1 - 9999	rear	398225
3414	H180, H214	1 - 9999	rear	398225
3516	H176, H215	1 - 9999	rear	398225
3518	H176, H215	1 - 9999	rear	398225
3520	H176, H215	1 - 9999	rear	398225
3625	H177	1 - 9999	rear	398225
318	H239	1 - 9999	rear	2374269
			rear	398225
320	H239	1 - 9999	rear	2374269
			rear	398225
322	H239	1 - 9999	rear	2374269
			rear	398225
325	H239	1 - 9999	rear	2374269
			rear	398225
HD 8	H199	1 - 9999	rear	2030859
			rear	398225
HD 10C	H199	1 - 9999	rear	2030859



REVERSING LIGHTS				
Series code	Serial code	Series range	Position	Part no.
HD 10C	H199	1 - 9999	rear	398225
HD 8	H263	1 - 9999	rear	2030859
			rear	398225
HD 10C	H263	1 - 9999	rear	2030859
			rear	398225
HD 10	H262	1 - 9999	rear	398225
			rear	2030859
HD 10i	H251	1 - 9999	rear	398225
			rear	2030859
HD 12	H262	1 - 9999	rear	2030859
			rear	398225
HD 12i	H251	1 - 9999	rear	2030859
			rear	398225
HD 13	H201	1 - 9999	rear	398225
			rear	2030859
HD 13i	H231, H265	1 - 9999	rear	398225
			rear	2030859
HD 14	H201	1 - 9999	rear	2030859
			rear	398225
HD 14i	H231, H285	1 - 9999	rear	2030859
			rear	398225
HD 14 TT	H208	1 - 9999	rear	2030859
			rear	398225
HD 30	H247	1 - 9999	rear	2030859
			rear	398225
HD 35	H247	1 - 9999	rear	398225

Original HAMM  
**LIGHTING**

REVERSING LIGHTS				
Series code	Serial code	Series range	Position	Part no.
HD 35	H247	1 - 9999	rear	2030859
HD+ 70i	H186, H272	1 - 9999	rear	2025134
HD+ 80i	H186, H272	1 - 9999	rear	2025134
HD+ 90	H185	1 - 9999	rear	2025134
HD+ 90i	H209	1 - 9999	rear	2025134
HD+ 90	H258	1 - 9999	rear	2025134
HD+ 90i	H242	1 - 9999	rear	2025134
HD+ 90i PH	H241, H276	1 - 9999	rear	2025134
HD+ 110	H185, H258	1 - 9999	rear	2025134
HD+ 110i	H209, H242	1 - 9999	rear	2025134
HD+ 120	H184	1 - 243	rear	2025134
		244 - 9999	rear	2025134
	H259	1 - 9999	rear	2025134
HD+ 120i	H207, H243, H274	1 - 9999	rear	2025134
HD+ 140	H184	1 - 243	rear	2025134
		244 - 9999	rear	2025134
	H259	1 - 9999	rear	2025134
HD+ 140i	H207, H243, H274	1 - 9999	rear	2025134
HD 70	H187	1 - 9999	rear	398225
HD 75	H187	1 - 9999	rear	398225
HD 90	H174, H181	1 - 9999	rear	398225
HD 110	H174, H181	1 - 9999	rear	398225
HD 120	H182	1 - 9999	rear	398225
HD 130	H182	1 - 9999	rear	398225
DV 65	H197	1 - 9999	rear	2025134
DV 70	H191	1 - 9999	rear	2025134



REVERSING LIGHTS				
Series code	Serial code	Series range	Position	Part no.
DV 85	H198	1 - 9999	rear	2025134
DV 90	H192	1 - 9999	rear	2025134
DV+ 70i	H225, H277	1 - 9999	rear	2025134
DV+ 90i	H226, H246, H278	1 - 9999	rear	2025134
HD 150 TT	H183, H193	1 - 9999	rear	398225
HW 90	H123	1 - 9999	rear	221074
			rear	230286
HP 280	H249	1 - 9999	rear	2025134
			rear	2030859
HP 240	H283	1 - 9999	rear	2025134
			rear	2030859
HP 280i	H271	1 - 9999	rear	2025134
			rear	2030859
HP 240i	H282	1 - 9999	rear	2030859
			rear	2025134
GRW 280i	H212, H244	1 - 9999	rear	2030859
			rear	2025134
GRW 180i	H228	1 - 9999	rear	2030859
			rear	2025134
GRW 280	H195, H229	1 - 9999	rear	2030859
			rear	2025134
GRW 10	H178, H190	1 - 9999	rear	221074
			rear	230286
GRW 15	H178	1 - 9999	rear	230286
			rear	221074
	H190	1 - 9999	rear	221074

# Original HAMM LIGHTING

REVERSING LIGHTS				
Series code	Serial code	Series range	Position	Part no.
GRW 15	H190	1 - 9999	rear	230286
GRW 18	H178	1 - 9999	rear	230286
			rear	221074
	H190	1 - 9999	rear	221074
			rear	230286
GRW 21	H178	1 - 9999	rear	230286
			rear	221074
	H190	1 - 9999	rear	221074
			rear	230286
GRW 24	H178	1 - 9999	rear	230286
			rear	221074
	H190	1 - 9999	rear	221074
			rear	230286

## HEADLIGHTS

The headlights are characterised by their vibration resistance and long service life.



HEADLIGHTS					
Series code	Serial code	Series range	Position	Version	Part no.
H 5i	H222, H270	1 - 9999	front right		2173317
			front left		2173316
H 7i	H222, H270	1 - 9999	front right		2173317





HEADLIGHTS					
Series code	Serial code	Series range	Position	Version	Part no.
H 7i	H222, H270	1 - 9999	front left		2173316
H 10i	H266, H284	1 - 9999	front right		2173317
			front left		2173316
H 11i	H211, H235, H266, H284	1 - 9999	front right		2173317
			front left		2173316
H 11ix	H210	1 - 9999	front right		2173317
			front left		2173316
H 12i	H235	1 - 9999	front right		2173317
			front left		2173316
	H266, H284	1 - 9999	front left		2173316
			front right		2173317
H 13i	H211, H234, H267	1 - 9999	front right		2173317
			front left		2173316
H 13ix	H210	1 - 9999	front right		2173317
			front left		2173316
H 13i VIO	H267	1 - 9999	front right		2173317
			front left		2173316
H 13i C	H267	1 - 9999	front left		2173316
			front right		2173317
H 14i	H267	1 - 9999	front left		2173316
			front right		2173317
H 16i	H211, H234	1 - 9999	front right		2173317
			front left		2173316
	H267	1 - 9999	front left		2173316
			front right		2173317
H 18i	H202, H233, H268	1 - 9999	front right		2173317

Original HAMM  
**LIGHTING**

HEADLIGHTS					
Series code	Serial code	Series range	Position	Version	Part no.
H 18i	H202, H233, H268	1 - 9999	front left		2173316
H 20i	H202	1 - 9999	front right		2173317
			front left		2173316
	H233	1 - 9999	front left		2173316
			front right		2173317
	H268	1 - 9999	front right		2173317
			front left		2173316
H 25i	H202, H233, H268	1 - 9999	front right		2173317
			front left		2173316
H 25i VC	H238	1 - 9999	front right		2173317
			front left		2173316
HC 170i	H256	1 - 9999	front right		2852813
			front left		2852810
HC 200i	H256	1 - 9999	front right		2852813
			front left		2852810
HC 250i	H256	1 - 9999	front right		2852813
			front left		2852810
HC 250i VC	H256	1 - 9999	front right		2852813
			front left		2852810
3205	H188	1 - 9999	front left		1266985
			front; rear	Operator's cabin	1272209
			front right		1266993
3307	H189	1 - 9999	front left		1266985
			front right		1266993
			front; rear	Operator's cabin	1272209
3410	H179	1 - 9999	front right		1266993



HEADLIGHTS					
Series code	Serial code	Series range	Position	Version	Part no.
3410	H179	1 - 9999	front left		1266985
			front; rear	Operator's cabin	1272209
	H206	1 - 9999	front left		1266985
			front right		1266993
			front; rear	Operator's cabin	1272209
	H217	1 - 9999	front right		1266993
			front left		1266985
			front; rear	Operator's cabin	1272209
	H221	1 - 9999	front left		1266985
			front right		1266993
			front; rear	Operator's cabin	1272209
	3411	H179, H206, H217	1 - 9999	front left	
front right					1266993
front; rear				Operator's cabin	1272209
H221		1 - 9999	front right		1266993
			front left		1266985
			front; rear	Operator's cabin	1272209
3412	H180	1 - 9999	front left		1266985
			front right		1266993
			front; rear	Operator's cabin	1272209
	H214	1 - 9999	front right		1266993
			front left		1266985
			front; rear	Operator's cabin	1272209
3414	H180, H214	1 - 9999	front left		1266985
			front right		1266993
			front; rear	Operator's cabin	1272209

Original HAMM  
**LIGHTING**

HEADLIGHTS					
Series code	Serial code	Series range	Position	Version	Part no.
3516	H176	1 - 9999	front left		1266985
			front right		1266993
			front; rear	Operator's cabin	1272209
	H215	1 - 9999	front right		1266993
			front; rear	Operator's cabin	1272209
			front left		1266985
3518	H176, H215	1 - 9999	front left		1266985
			front right		1266993
			front; rear	Operator's cabin	1272209
3520	H176, H215	1 - 9999	front left		1266985
			front right		1266993
			front; rear	Operator's cabin	1272209
3625	H177	1 - 9999	front left		1266985
			front right		1266993
			front; rear	Operator's cabin	1272209
318	H239	1 - 9999	front right		2370741
			front left		2370740
320	H239	1 - 9999	front right		2370741
			front left		2370740
322	H239	1 - 9999	front right		2370741
			front left		2370740
325	H239	1 - 9999	front left		2370740
			front right		2370741
HD 8	H199	1 - 9999	front		2030857
HD 10C	H199	1 - 9999	front		2030857
HD 8	H263	1 - 9999	front		2030857



HEADLIGHTS					
Series code	Serial code	Series range	Position	Version	Part no.
HD 9	H263	1 - 9999	front		2030857
HD 10C	H263	1 - 9999	front		2030857
HD 10	H262	1 - 9999	front		2030857
HD 10i	H251	1 - 9999	front		2030857
HD 12	H262	1 - 9999	front		2030857
HD 12i	H251	1 - 9999	front		2030857
HD 13	H201	1 - 9999	front		2030857
HD 13i	H231, H265, H285	1 - 9999	front		2030857
HD 14	H201	1 - 9999	front		2030857
HD 14i	H231, H265, H285	1 - 9999	front		2030857
HD 14 TT	H208	1 - 9999	front		2030857
HD 30	H247	1 - 9999	front		2030857
HD 35	H247	1 - 9999	front		2030857
HD+ 70i	H186, H272	1 - 9999	front; rear		2030857
HD+ 80i	H186, H272	1 - 9999	front; rear		2030857
HD+ 90	H185	1 - 9999	front; rear		2030857
HD+ 90i	H209	1 - 9999	front; rear		2030857
HD+ 90	H258	1 - 9999	front; rear		2030857
HD+ 90i	H242	1 - 9999	front; rear		2030857
HD+ 90i PH	H241, H276	1 - 9999	front; rear		2030857
HD+ 110	H185, H258	1 - 9999	front; rear		2030857
HD+ 110i	H209, H242	1 - 9999	front; rear		2030857
HD+ 120	H184	1 - 243	front		2065584
			rear		2060918
		244 - 9999	front; rear		2030857
	H259	1 - 9999	front; rear		2030857

Original HAMM  
**LIGHTING**

HEADLIGHTS					
Series code	Serial code	Series range	Position	Version	Part no.
HD+ 120i	H207, H243, H274	1 - 9999	front; rear		2030857
HD+ 140	H184	1 - 243	front		2065584
			rear		2060918
		244 - 9999	front; rear		2030857
	H259	1 - 9999	front; rear		2030857
HD+ 140i	H207, H243, H274	1 - 9999	front; rear		2030857
HD 70	H187	1 - 9999	front		388483
			front; rear	Operator's cabin	385077
			rear		385085
HD 75	H187	1 - 9999	front; rear	Operator's cabin	385077
			front		388483
			rear		385085
HD 90	H174, H181	1 - 9999	front; rear	Operator's cabin	385077
			front		388483
			rear		385085
HD 110	H174, H181	1 - 9999	front; rear	Operator's cabin	385077
			front		388483
			rear		385085
HD 120	H182	1 - 9999	front; rear	Operator's cabin	385077
			front		388483
			rear		385085
HD 130	H182	1 - 9999	front; rear	Operator's cabin	385077
			front		388483
			rear		385085
DV 65	H197	1 - 9999	front; rear	Operator's cabin	2035376
			front		388483



HEADLIGHTS					
Series code	Serial code	Series range	Position	Version	Part no.
DV 65	H197	1 - 9999	rear		385085
DV 70	H191	1 - 9999	front; rear	Operator's cabin	2035376
			front		388483
			rear		385085
DV 85	H198	1 - 9999	front; rear	Operator's cabin	2035376
			front		388483
			rear		385085
DV 90	H192	1 - 9999	front; rear	Operator's cabin	2035376
			front		388483
			rear		385085
DV+ 70i	H225, H277	1 - 9999	front; rear		2030857
DV+ 90i	H226, H246, H278	1 - 9999	front; rear		2030857
HD 150 TT	H183, H193	1 - 9999	front; rear	Operator's cabin	385077
			front		388483
			rear		385085
HW 90	H123	1 - 9999	front		346349
			rear		207500
HP 280	H249	1 - 9999	front		2030857
HP 240	H283	1 - 9999	front		2030857
HP 280i	H271	1 - 9999	front		2030857
HP 240i	H282	1 - 9999	front		2030857
GRW 280i	H212, H244	1 - 9999	front		2030857
GRW 180i	H228	1 - 9999	front		2030857
GRW 280	H195, H229	1 - 9999	front		2030857
GRW 10	H178, H190	1 - 9999	front; rear		311987
GRW 15	H178, H190	1 - 9999	front; rear		311987

# Original HAMM LIGHTING

HEADLIGHTS					
Series code	Serial code	Series range	Position	Version	Part no.
GRW 18	H178, H190	1 - 9999	front; rear		311987
GRW 21	H178, H190	1 - 9999	front; rear		311987
GRW 24	H178, H190	1 - 9999	front; rear		311987

## TAIL LIGHTS

HAMM tail lights increase safety on the construction site by improving the visibility of the rollers.



TAIL LIGHTS					
Series code	Serial code	Series range	Position	Version	Part no.
H 5i	H222, H270	1 - 9999	rear		2030860
H 7i	H222, H270	1 - 9999	rear		2030860
H 10i	H266, H284	1 - 9999	rear		2030860
H 11i	H211, H235, H266, H284	1 - 9999	rear		2030860
H 11ix	H210	1 - 9999	rear		2030860
H 12i	H235, H266, H284	1 - 9999	rear		2030860
H 13i	H211, H234, H267	1 - 9999	rear		2030860
H 13ix	H210	1 - 9999	rear		2030860
H 13i VIO	H267	1 - 9999	rear		2030860
H 13i C	H267	1 - 9999	rear		2030860
H 14i	H267	1 - 9999	rear		2030860
H 16i	H211, H234, H267	1 - 9999	rear		2030860
H 18i	H202, H233, H268	1 - 9999	rear		2030860





TAIL LIGHTS				
Series code	Serial code	Series range	Position	Part no.
H 20i	H202, H233, H268	1 - 9999	rear	2030860
H 25i	H202, H233, H268	1 - 9999	rear	2030860
H 25i VC	H238	1 - 9999	rear	2030860
HC 170i	H256	1 - 9999	rear	2643872
HC 200i	H256	1 - 9999	rear	2643872
HC 250i	H256	1 - 9999	rear	2643872
HC 250i VC	H256	1 - 9999	rear	2643872
3205	H188	1 - 9999	rear	330639
3307	H189	1 - 9999	rear	330639
3410	H179, H206, H217, H221	1 - 9999	rear	330639
3411	H179, H206, H217, H221	1 - 9999	rear	330639
3412	H180, H214	1 - 9999	rear	330639
3414	H180, H214	1 - 9999	rear	330639
3516	H176, H215	1 - 9999	rear	330639
3518	H176, H215	1 - 9999	rear	330639
3520	H176, H215	1 - 9999	rear	330639
3625	H177	1 - 9999	rear	330639
HD 8	H199	1 - 9999	rear	2030860
HD 10C	H199	1 - 9999	rear	2030860
HD 8	H263	1 - 9999	rear	2030860
HD 9	H263	1 - 9999	rear	2030860
HD 10C	H263	1 - 9999	rear	2030860
HD 10	H262	1 - 9999	rear	2030860
HD 10i	H251	1 - 9999	rear	2030860
HD 12	H262	1 - 9999	rear	2030860
HD 12i	H251	1 - 9999	rear	2030860

Original HAMM  
**LIGHTING**

TAIL LIGHTS				
Series code	Serial code	Series range	Position	Part no.
HD 13	H201	1 - 9999	rear	2030860
HD 13i	H231, H265, H285	1 - 9999	rear	2030860
HD 14	H201	1 - 9999	rear	2030860
HD 14i	H231, H265, H285	1 - 9999	rear	2030860
HD 14 TT	H208	1 - 9999	rear	2030860
HD 30	H247	1 - 9999	rear	2030860
HD 35	H247	1 - 9999	rear	2030860
HD+ 70i	H186, H272	1 - 9999	rear	2030860
HD+ 80i	H186, H272	1 - 9999	rear	2030860
HD+ 90	H185	1 - 9999	rear	2030860
HD+ 90i	H209	1 - 9999	rear	2030860
HD+ 90	H258	1 - 9999	rear	2030860
HD+ 90i	H242	1 - 9999	rear	2030860
HD+ 90i PH	H241, H276	1 - 9999	rear	2030860
HD+ 110	H185, H258	1 - 9999	rear	2030860
HD+ 110i	H209, H242	1 - 9999	rear	2030860
HD+ 120	H184	1 - 243	rear left	2060712
			rear right	2060713
		244 - 9999	rear	2030860
	H259	1 - 9999	rear	2030860
HD+ 120i	H207, H243, H274	1 - 9999	rear	2030860
HD+ 140	H184	1 - 243	rear left	2060712
			rear right	2060713
		244 - 9999	rear	2030860
	H259	1 - 9999	rear	2030860
HD+ 140i	H207, H243, H274	1 - 9999	rear	2030860



TAIL LIGHTS				
Series code	Serial code	Series range	Position	Part no.
HD 70	H187	1 - 9999	rear	330639
HD 75	H187	1 - 9999	rear	330639
HD 90	H174, H181	1 - 9999	rear	330639
HD 110	H174, H181	1 - 9999	rear	330639
HD 120	H182	1 - 9999	rear	330639
HD 130	H182	1 - 9999	rear	330639
DV 65	H197	1 - 9999	rear	330639
DV 70	H191	1 - 9999	rear	330639
DV 85	H198	1 - 9999	rear	330639
DV 90	H192	1 - 9999	rear	330639
DV+ 70i	H225, H277	1 - 9999	rear	2030860
DV+ 90i	H226, H246, H278	1 - 9999	rear	2030860
HD 150 TT	H183, H193	1 - 9999	rear	330639
HP 280	H249	1 - 9999	rear	2030860
HP 240	H283	1 - 9999	rear	2030860
HP 280i	H271	1 - 9999	rear	2030860
HP 240i	H282	1 - 9999	rear	2030860
GRW 280i	H212, H244	1 - 9999	rear	2030860
GRW 180i	H228	1 - 9999	rear	2030860
GRW 280	H195, H229	1 - 9999	rear	2030860

Original HAMM  
**TELEMATICS**



WITOS, the telematics system from the WIRTGEN GROUP, offers an optimised package of solutions to increase your productivity on the job site. The intelligent WITOS FleetView telematics system from the WIRTGEN GROUP supports fleet and service management for machines from WIRTGEN, VÖGELE, HAMM and KLEEMANN. Thanks to the

system-supported processing, transmission, visualisation and evaluation of machine and position data, fleet and service management becomes even more efficient during day-to-day operations. With WITOS FleetView, you can keep track of your fleet of machines at all times.



> Read more online

**WITOS FLEETVIEW**

WITOS FleetView fleet management gives you a permanent overview of the condition of your machines.

WITOS FleetView is not available in all countries and for all model series - please contact your local sales and service company if you have any questions.



WITOS FLEETVIEW					
Series code	Serial code	Series range	Part	Package includes	Part no.
H 5i	H222, H270	10 - 9999	WITOS FleetView retrofit kit	incl. cable set	2408617
H 7i	H222, H270	10 - 9999	WITOS FleetView retrofit kit	incl. cable set	2408617



WITOS FLEETVIEW					
Series code	Serial code	Series range	Part	Package includes	Part no.
H 10i	H235, H266, H284	10 - 9999	WITOS FleetView retrofit kit	incl. cable set	2384218
H 11i	H211	10 - 88	WITOS FleetView retrofit kit	incl. cable set	2356998
		89 - 9999	WITOS FleetView retrofit kit	incl. cable set	2355425
	H235, H266, H284	10 - 9999	WITOS FleetView retrofit kit	incl. cable set	2384218
H 11ix	H210	10 - 9999	WITOS FleetView retrofit kit	incl. cable set	2355425
H 12i	H235, H266, H284	10 - 9999	WITOS FleetView retrofit kit	incl. cable set	2384218
H 13i	H211	10 - 88	WITOS FleetView retrofit kit	incl. cable set	2356998
		89 - 9999	WITOS FleetView retrofit kit	incl. cable set	2355425
	H234, H267	10 - 9999	WITOS FleetView retrofit kit	incl. cable set	2384218
H 13ix	H210	10 - 9999	WITOS FleetView retrofit kit	incl. cable set	2355425
H 14i	H234, H267	10 - 9999	WITOS FleetView retrofit kit	incl. cable set	2384218
H 16i	H211	10 - 88	WITOS FleetView retrofit kit	incl. cable set	2356998
		89 - 9999	WITOS FleetView retrofit kit	incl. cable set	2355425
	H234, H267	10 - 9999	WITOS FleetView retrofit kit	incl. cable set	2384218
H 18i	H202	10 - 47	WITOS FleetView retrofit kit	incl. cable set	2356998
		48 - 9999	WITOS FleetView retrofit kit	incl. cable set	2355425
	H233	10 - 9999	WITOS FleetView retrofit kit	incl. cable set	2384218
H 20i	H202	10 - 47	WITOS FleetView retrofit kit	incl. cable set	2356998
		48 - 9999	WITOS FleetView retrofit kit	incl. cable set	2355425
	H233	10 - 9999	WITOS FleetView retrofit kit	incl. cable set	2384218
H 25i	H202	10 - 47	WITOS FleetView retrofit kit	incl. cable set	2356998
		48 - 9999	WITOS FleetView retrofit kit	incl. cable set	2355425
	H233	10 - 9999	WITOS FleetView retrofit kit	incl. cable set	2384218
H 25i VC	H238	10 - 9999	WITOS FleetView retrofit kit	incl. cable set	2355425
3410	H179, H206, H217	10 - 9999	WITOS FleetView retrofit kit	incl. cable set	2480523
	H221	10 - 9999	WITOS FleetView retrofit kit	incl. cable set	2590606

Original HAMM  
**TELEMATICS**

WITOS FLEETVIEW					
Series code	Serial code	Series range	Part	Package includes	Part no.
3410	H269	10 - 9999	WITOS FleetView retrofit kit	incl. cable set	2480523
3411	H179, H206, H217	10 - 9999	WITOS FleetView retrofit kit	incl. cable set	2480523
	H221	10 - 9999	WITOS FleetView retrofit kit	incl. cable set	2590606
	H269	10 - 9999	WITOS FleetView retrofit kit	incl. cable set	2480523
3412	H180, H214	10 - 9999	WITOS FleetView retrofit kit	incl. cable set	2480523
3414	H180, H214	10 - 9999	WITOS FleetView retrofit kit	incl. cable set	2480523
3516	H176, H215	10 - 9999	WITOS FleetView retrofit kit	incl. cable set	2480523
3518	H176, H215	10 - 9999	WITOS FleetView retrofit kit	incl. cable set	2480523
3520	H176, H215	10 - 9999	WITOS FleetView retrofit kit	incl. cable set	2480523
3625	H177	10 - 9999	WITOS FleetView retrofit kit	incl. cable set	2480523
HD 8	H199	10 - 9999	WITOS FleetView retrofit kit	incl. cable set	2480633
HD 10C	H199	10 - 9999	WITOS FleetView retrofit kit	incl. cable set	2480633
HD 8	H263	10 - 9999	WITOS FleetView retrofit kit	incl. cable set	2480633
HD 9	H263	10 - 9999	WITOS FleetView retrofit kit	incl. cable set	2480633
HD 10C	H263	10 - 9999	WITOS FleetView retrofit kit	incl. cable set	2480633
HD 10	H200, H230, H262	10 - 9999	WITOS FleetView retrofit kit	incl. cable set	2480632
HD 10i	H251	10 - 9999	WITOS FleetView retrofit kit	incl. cable set	2558581
HD 12	H200, H230, H262	10 - 9999	WITOS FleetView retrofit kit	incl. cable set	2480632
HD 12i	H251	10 - 9999	WITOS FleetView retrofit kit	incl. cable set	2558581
HD 13	H201	10 - 9999	WITOS FleetView retrofit kit	incl. cable set	2467085
HD 13i	H231, H265, H285	10 - 9999	WITOS FleetView retrofit kit	incl. cable set	2490841
HD 14	H201	10 - 9999	WITOS FleetView retrofit kit	incl. cable set	2467085
HD 14i	H231, H265, H285	10 - 9999	WITOS FleetView retrofit kit	incl. cable set	2490841
HD 14 TT	H208	10 - 9999	WITOS FleetView retrofit kit	incl. cable set	2467085
HD+ 70i	H186	10 - 191	WITOS FleetView retrofit kit	incl. cable set	2426598
		192 - 9999	WITOS FleetView retrofit kit	incl. cable set	2545527



WITOS FLEETVIEW					
Series code	Serial code	Series range	Part	Package includes	Part no.
HD+ 70i	H272	10 - 9999	WITOS FleetView retrofit kit	incl. cable set	2545527
HD+ 80i	H186	10 - 191	WITOS FleetView retrofit kit	incl. cable set	2426598
		192 - 9999	WITOS FleetView retrofit kit	incl. cable set	2545527
	H272	10 - 9999	WITOS FleetView retrofit kit	incl. cable set	2545527
HD+ 90	H185	10 - 9999	WITOS FleetView retrofit kit	incl. cable set	2467062
HD+ 90i	H209	10 - 257	WITOS FleetView retrofit kit	incl. cable set	2426598
		258 - 9999	WITOS FleetView retrofit kit	incl. cable set	2545527
HD+ 90	H258	10 - 9999	WITOS FleetView retrofit kit	incl. cable set	2617372
HD+ 90i	H242	10 - 9999	WITOS FleetView retrofit kit	incl. cable set	2545521
HD+ 90i PH	H241, H276	10 - 9999	WITOS FleetView retrofit kit	incl. cable set	2545521
HD+ 110	H185	10 - 9999	WITOS FleetView retrofit kit	incl. cable set	2467062
	H258	10 - 9999	WITOS FleetView retrofit kit	incl. cable set	2617372
HD+ 110i	H209	10 - 257	WITOS FleetView retrofit kit	incl. cable set	2426598
		258 - 9999	WITOS FleetView retrofit kit	incl. cable set	2545527
	H242	10 - 9999	WITOS FleetView retrofit kit	incl. cable set	2545521
HD+ 120	H184	10 - 9999	WITOS FleetView retrofit kit	incl. cable set	2467062
	H259	10 - 9999	WITOS FleetView retrofit kit	incl. cable set	2617372
HD+ 120i	H207	10 - 181	WITOS FleetView retrofit kit	incl. cable set	2426598
		182 - 9999	WITOS FleetView retrofit kit	incl. cable set	2545527
	H243, H274	10 - 9999	WITOS FleetView retrofit kit	incl. cable set	2545521
HD+ 140	H184	10 - 9999	WITOS FleetView retrofit kit	incl. cable set	2467062
	H259	10 - 9999	WITOS FleetView retrofit kit	incl. cable set	2617372
HD+ 140i	H207	10 - 181	WITOS FleetView retrofit kit	incl. cable set	2426598
		182 - 9999	WITOS FleetView retrofit kit	incl. cable set	2545527
	H243, H274	10 - 9999	WITOS FleetView retrofit kit	incl. cable set	2545521
HD 70	H187	10 - 9999	WITOS FleetView retrofit kit	incl. cable set	2572866

Original HAMM  
**TELEMATICS**

WITOS FLEETVIEW					
Series code	Serial code	Series range	Part	Package includes	Part no.
HD 75	H187	10 - 9999	WITOS FleetView retrofit kit	incl. cable set	2572866
HD 90	H181	10 - 9999	WITOS FleetView retrofit kit	incl. cable set	2572866
HD 110	H181	10 - 9999	WITOS FleetView retrofit kit	incl. cable set	2572866
DV 65	H197	10 - 9999	WITOS FleetView retrofit kit	incl. cable set	2467052
DV 70	H191	10 - 9999	WITOS FleetView retrofit kit	incl. cable set	2467052
DV 85	H198	10 - 9999	WITOS FleetView retrofit kit	incl. cable set	2467052
DV 90	H192	10 - 9999	WITOS FleetView retrofit kit	incl. cable set	2467052
DV+ 70i	H225, H277	10 - 9999	WITOS FleetView retrofit kit	incl. cable set	2409686
DV+ 90i	H226, H246, H278	10 - 9999	WITOS FleetView retrofit kit	incl. cable set	2409686
HP 280	H249	10 - 9999	WITOS FleetView retrofit kit	incl. cable set	2612135
HP 240	H283	10 - 9999	WITOS FleetView retrofit kit	incl. cable set	2560728
HP 280i	H271	10 - 9999	WITOS FleetView retrofit kit	incl. cable set	2560728
HP 240i	H282	10 - 9999	WITOS FleetView retrofit kit	incl. cable set	2560728
GRW 280i	H212	10 - 9999	WITOS FleetView retrofit kit	incl. cable set	2527574
	H244	10 - 9999	WITOS FleetView retrofit kit	incl. cable set	2560728
GRW 180i	H228	10 - 9999	WITOS FleetView retrofit kit	incl. cable set	2345897
GRW 280	H195, H229	10 - 9999	WITOS FleetView retrofit kit	incl. cable set	2527574
GRW 10	H190	10 - 9999	WITOS FleetView retrofit kit	incl. cable set	2623657
GRW 15	H190	10 - 9999	WITOS FleetView retrofit kit	incl. cable set	2623657
GRW 18	H190	10 - 9999	WITOS FleetView retrofit kit	incl. cable set	2623657
GRW 21	H190	10 - 9999	WITOS FleetView retrofit kit	incl. cable set	2623657
GRW 24	H190	10 - 9999	WITOS FleetView retrofit kit	incl. cable set	2623657





# EMERGENCY KITS



Small faults in electronic or electrical systems can severely disrupt day-to-day operations on the construction site. With our genuine HAMM service set, you have all the necessary sensors, relays, switches, fuses as well as control parts available on site. Thanks to our emergency kits, you can easily

bring the machine back into operation without an extended period of down time. The large variety of parts effectively supports your service and maintenance staff. Genuine HAMM service sets are an essential addition to any workshop or workshop trolley.



> Read more online

## EMERGENCY KITS

HAMM emergency kits provide rapid assistance in the repair of electronic components.

EMERGENCY KITS			
Series code	Serial code	Version	Part no.
3205	H188	Elektronik system/Hammtronic	2117311
		Standard electronic system	2117310
3307	H189	Standard electronic system	2117310
		Elektronik system/Hammtronic	2117311
3410	H179	Standard electronic system	2117310
		Elektronik system/Hammtronic	2117311
3411	H179	Standard electronic system	2117310

# EMERGENCY KITS

EMERGENCY KITS			
Series code	Serial code	Version	Part no.
3411	H179	Elektronic system/Hammtronic	2117311
3412	H180	Elektronic system/Hammtronic	2117311
		Standard electronic system	2117310
3414	H180	Elektronic system/Hammtronic	2117311
		Standard electronic system	2117310
3516	H176	Standard electronic system	2117310
		Elektronic system/Hammtronic	2117311
3518	H176	Standard electronic system	2117310
		Elektronic system/Hammtronic	2117311
3520	H176	Standard electronic system	2117310
		Elektronic system/Hammtronic	2117311
3625	H177	Standard electronic system	2117310
		Elektronic system/Hammtronic	2117311
HD 70	H187	Electronic system, split drum (ASC)	2117313
		Standard electronic system	2117312
HD 75	H187	Electronic system, split drum (ASC)	2117313
		Standard electronic system	2117312
HD 90	H181	Standard electronic system	2117312
		Electronic system, split drum (ASC)	2117313
HD 110	H181	Standard electronic system	2117312
		Electronic system, split drum (ASC)	2117313
HD 120	H182	Standard electronic system	2117312
		Electronic system, split drum (ASC)	2117313
HD 130	H182	Electronic system, split drum (ASC)	2117313
		Standard electronic system	2117312
DV 65	H197	Electronic system	2035744
DV 70	H191	Electronic system	2035744



EMERGENCY KITS			
Series code	Serial code	Version	Part no.
DV 85	H198	Electronic system	2035744
DV 90	H192	Electronic system	2035744
HD 150 TT	H193	Standard electronic system	2117312

Original HAMM  
**TOOLS**



Nothing is more important than the reliability of your machine. Whether in the workshop or directly on the construction site - with HAMM's special tools, repairs and maintenance become a pleasure

to carry out. Sophisticated technology and ease of use are the hallmarks of these many small helpers in day-to-day construction site operations.



> Read more online

**OTHER TOOLS**

Special tools for specific applications help you to adjust and monitor your machine's functions.

OTHER TOOLS					
Series code	Serial code	Series range	Part	Description	Part no.
H 5i	H222, H270	1 - 9999	Frequency and amplitude meter	This special tool can be used to measure vibratory drums' vibration frequency and amplitude.	2277444
H 7i	H222, H270	1 - 9999	Frequency and amplitude meter	This special tool can be used to measure vibratory drums' vibration frequency and amplitude.	2277444
			Frequency meter	The frequency meter is used to test and adjust oscillating and VIO drum belt tension.	2256382
H 10i	H235, H266, H284	1 - 9999	Frequency and amplitude meter	This special tool can be used to measure vibratory drums' vibration frequency and amplitude.	2277444
H 11i	H211, H235, H266, H284	1 - 9999	Frequency and amplitude meter	This special tool can be used to measure vibratory drums' vibration frequency and amplitude.	2277444
H 12i	H235, H266, H284	1 - 9999	Frequency and amplitude meter	This special tool can be used to measure vibratory drums' vibration frequency and amplitude.	2277444
H 13i	H234, H267	1 - 9999	Frequency and amplitude meter	This special tool can be used to measure vibratory drums' vibration frequency and amplitude.	2277444



OTHER TOOLS					
Series code	Serial code	Series range	Part	Description	Part no.
H 13i VIO	H234, H267	1 - 9999	Frequency meter	The frequency meter is used to test and adjust oscillating and VIO drum belt tension.	2256382
H 14i	H234, H267	1 - 9999	Frequency and amplitude meter	This special tool can be used to measure vibratory drums' vibration frequency and amplitude.	2277444
H 16i	H234, H267	1 - 9999	Frequency and amplitude meter	This special tool can be used to measure vibratory drums' vibration frequency and amplitude.	2277444
H 18i	H202, H233, H268	1 - 9999	Frequency and amplitude meter	This special tool can be used to measure vibratory drums' vibration frequency and amplitude.	2277444
H 20i	H233, H268	1 - 9999	Frequency and amplitude meter	This special tool can be used to measure vibratory drums' vibration frequency and amplitude.	2277444
H 25i	H233, H268	1 - 9999	Frequency and amplitude meter	This special tool can be used to measure vibratory drums' vibration frequency and amplitude.	2277444
H 25i VC	H238	1 - 9999	Frequency and amplitude meter	This special tool can be used to measure vibratory drums' vibration frequency and amplitude.	2277444
3205	H188	1 - 9999	Frequency and amplitude meter	This special tool can be used to measure vibratory drums' vibration frequency and amplitude.	2277444
3307	H189	1 - 9999	Frequency and amplitude meter	This special tool can be used to measure vibratory drums' vibration frequency and amplitude.	2277444
			Frequency meter	The frequency meter is used to test and adjust oscillating and VIO drum belt tension.	2256382
3410	H179, H206, H217, H269	1 - 9999	Frequency and amplitude meter	This special tool can be used to measure vibratory drums' vibration frequency and amplitude.	2277444
3411	H179, H206, H217, H221, H269	1 - 9999	Frequency and amplitude meter	This special tool can be used to measure vibratory drums' vibration frequency and amplitude.	2277444
3412	H180, H214	1 - 9999	Frequency and amplitude meter	This special tool can be used to measure vibratory drums' vibration frequency and amplitude.	2277444
			Frequency meter	The frequency meter is used to test and adjust oscillating and VIO drum belt tension.	2256382
3414	H180, H214	1 - 9999	Frequency and amplitude meter	This special tool can be used to measure vibratory drums' vibration frequency and amplitude.	2277444
			Frequency meter	The frequency meter is used to test and adjust oscillating and VIO drum belt tension.	2256382
3516	H176, H215	1 - 9999	Frequency and amplitude meter	This special tool can be used to measure vibratory drums' vibration frequency and amplitude.	2277444
3518	H176	1 - 9999	Frequency and amplitude meter	This special tool can be used to measure vibratory drums' vibration frequency and amplitude.	2277444
3520	H176	1 - 9999	Frequency and amplitude meter	This special tool can be used to measure vibratory drums' vibration frequency and amplitude.	2277444
3625	H177	1 - 9999	Frequency and amplitude meter	This special tool can be used to measure vibratory drums' vibration frequency and amplitude.	2277444
318	H239	1 - 9999	Frequency and amplitude meter	This special tool can be used to measure vibratory drums' vibration frequency and amplitude.	2277444
320	H239	1 - 9999	Frequency and amplitude meter	This special tool can be used to measure vibratory drums' vibration frequency and amplitude.	2277444
322	H239	1 - 9999	Frequency and amplitude meter	This special tool can be used to measure vibratory drums' vibration frequency and amplitude.	2277444
325	H239	1 - 9999	Frequency and amplitude meter	This special tool can be used to measure vibratory drums' vibration frequency and amplitude.	2277444
HD 8	H199	1 - 9999	Frequency and amplitude meter	This special tool can be used to measure vibratory drums' vibration frequency and amplitude.	2277444

# Original HAMM TOOLS

OTHER TOOLS					
Series code	Serial code	Series range	Part	Description	Part no.
HD 10C	H199	1 - 9999	Frequency and amplitude meter	This special tool can be used to measure vibratory drums' vibration frequency and amplitude.	2277444
HD 8	H263	1 - 9999	Frequency and amplitude meter	This special tool can be used to measure vibratory drums' vibration frequency and amplitude.	2277444
HD 9	H263	1 - 9999	Frequency and amplitude meter	This special tool can be used to measure vibratory drums' vibration frequency and amplitude.	2277444
HD 10C	H263	1 - 9999	Frequency and amplitude meter	This special tool can be used to measure vibratory drums' vibration frequency and amplitude.	2277444
HD 10	H230, H262	1 - 9999	Frequency and amplitude meter	This special tool can be used to measure vibratory drums' vibration frequency and amplitude.	2277444
			Frequency meter	The frequency meter is used to test and adjust oscillating and VIO drum belt tension.	2256382
HD 10i	H251	1 - 9999	Frequency and amplitude meter	This special tool can be used to measure vibratory drums' vibration frequency and amplitude.	2277444
			Frequency meter	The frequency meter is used to test and adjust oscillating and VIO drum belt tension.	2256382
HD 12	H230, H262	1 - 9999	Frequency and amplitude meter	This special tool can be used to measure vibratory drums' vibration frequency and amplitude.	2277444
			Frequency meter	The frequency meter is used to test and adjust oscillating and VIO drum belt tension.	2256382
HD 12i	H251	1 - 9999	Frequency and amplitude meter	This special tool can be used to measure vibratory drums' vibration frequency and amplitude.	2277444
			Frequency meter	The frequency meter is used to test and adjust oscillating and VIO drum belt tension.	2256382
HD 13	H201	1 - 9999	Frequency and amplitude meter	This special tool can be used to measure vibratory drums' vibration frequency and amplitude.	2277444
			Frequency meter	The frequency meter is used to test and adjust oscillating and VIO drum belt tension.	2256382
HD 13i	H231, H265, H285	1 - 9999	Frequency and amplitude meter	This special tool can be used to measure vibratory drums' vibration frequency and amplitude.	2277444
			Frequency meter	The frequency meter is used to test and adjust oscillating and VIO drum belt tension.	2256382
HD 14	H201	1 - 9999	Frequency and amplitude meter	This special tool can be used to measure vibratory drums' vibration frequency and amplitude.	2277444
			Frequency meter	The frequency meter is used to test and adjust oscillating and VIO drum belt tension.	2256382
HD 14i	H231, H265, H285	1 - 9999	Frequency and amplitude meter	This special tool can be used to measure vibratory drums' vibration frequency and amplitude.	2277444
			Frequency meter	The frequency meter is used to test and adjust oscillating and VIO drum belt tension.	2256382
HD 30	H247	1 - 9999	Frequency and amplitude meter	This special tool can be used to measure vibratory drums' vibration frequency and amplitude.	2277444
			Frequency meter	The frequency meter is used to test and adjust oscillating and VIO drum belt tension.	2256382
HD 35	H247	1 - 9999	Frequency and amplitude meter	This special tool can be used to measure vibratory drums' vibration frequency and amplitude.	2277444
			Frequency meter	The frequency meter is used to test and adjust oscillating and VIO drum belt tension.	2256382
HD+ 70i	H186	1 - 9999	Frequency and amplitude meter	This special tool can be used to measure vibratory drums' vibration frequency and amplitude.	2277444
			Frequency meter	The frequency meter is used to test and adjust oscillating and VIO drum belt tension.	2256382



OTHER TOOLS						
Series code	Serial code	Series range	Part	Description	Part no.	
HD+ 70i	H186	10 - 9999	Oscillating drum adjustment tool	This tool is used to adjust the oscillation drum after a belt change or repair.	2532355	
	H272	1 - 9999	Oscillating drum adjustment tool	This tool is used to adjust the oscillation drum after a belt change or repair.	2532355	
			Frequency and amplitude meter	This special tool can be used to measure vibratory drums' vibration frequency and amplitude.	2277444	
			Frequency meter	The frequency meter is used to test and adjust oscillating and VIO drum belt tension.	2256382	
HD+ 80i	H186	1 - 9999	Frequency and amplitude meter	This special tool can be used to measure vibratory drums' vibration frequency and amplitude.	2277444	
			Frequency meter	The frequency meter is used to test and adjust oscillating and VIO drum belt tension.	2256382	
	H272	1 - 9999	10 - 9999	Oscillating drum adjustment tool	This tool is used to adjust the oscillation drum after a belt change or repair.	2532355
			1 - 9999	Oscillating drum adjustment tool	This tool is used to adjust the oscillation drum after a belt change or repair.	2532355
				Frequency and amplitude meter	This special tool can be used to measure vibratory drums' vibration frequency and amplitude.	2277444
				Frequency meter	The frequency meter is used to test and adjust oscillating and VIO drum belt tension.	2256382
HD+ 90	H185	1 - 9999	Frequency and amplitude meter	This special tool can be used to measure vibratory drums' vibration frequency and amplitude.	2277444	
			Frequency meter	The frequency meter is used to test and adjust oscillating and VIO drum belt tension.	2256382	
		10 - 9999	Oscillating drum adjustment tool	This tool is used to adjust the oscillation drum after a belt change or repair.	2532355	
HD+ 90i	H209	1 - 9999	Frequency and amplitude meter	This special tool can be used to measure vibratory drums' vibration frequency and amplitude.	2277444	
			Frequency meter	The frequency meter is used to test and adjust oscillating and VIO drum belt tension.	2256382	
HD+ 90	H258	1 - 9999	Frequency and amplitude meter	This special tool can be used to measure vibratory drums' vibration frequency and amplitude.	2277444	
			Frequency meter	The frequency meter is used to test and adjust oscillating and VIO drum belt tension.	2256382	
		10 - 9999	Oscillating drum adjustment tool	This tool is used to adjust the oscillation drum after a belt change or repair.	2532355	
HD+ 90i	H242	1 - 9999	Frequency and amplitude meter	This special tool can be used to measure vibratory drums' vibration frequency and amplitude.	2277444	
			Frequency meter	The frequency meter is used to test and adjust oscillating and VIO drum belt tension.	2256382	
		10 - 9999	Oscillating drum adjustment tool	This tool is used to adjust the oscillation drum after a belt change or repair.	2532355	
HD+ 90i PH	H241	1 - 9999	Frequency and amplitude meter	This special tool can be used to measure vibratory drums' vibration frequency and amplitude.	2277444	
			Frequency meter	The frequency meter is used to test and adjust oscillating and VIO drum belt tension.	2256382	
		10 - 9999	Oscillating drum adjustment tool	This tool is used to adjust the oscillation drum after a belt change or repair.	2532355	
	H276	1 - 9999	Oscillating drum adjustment tool	This tool is used to adjust the oscillation drum after a belt change or repair.	2532355	
			Frequency and amplitude meter	This special tool can be used to measure vibratory drums' vibration frequency and amplitude.	2277444	



# Original HAMM TOOLS

OTHER TOOLS						
Series code	Serial code	Series range	Part	Description	Part no.	
HD+ 90i PH	H276	1 - 9999	Frequency meter	The frequency meter is used to test and adjust oscillating and VIO drum belt tension.	2256382	
HD+ 110	H185	10 - 9999	Oscillating drum adjustment tool	This tool is used to adjust the oscillation drum after a belt change or repair.	2532355	
	H258	1 - 9999	Frequency and amplitude meter	This special tool can be used to measure vibratory drums' vibration frequency and amplitude.	2277444	
			Frequency meter	The frequency meter is used to test and adjust oscillating and VIO drum belt tension.	2256382	
		10 - 9999	Oscillating drum adjustment tool	This tool is used to adjust the oscillation drum after a belt change or repair.	2532355	
HD+ 110i	H209	1 - 9999	Frequency and amplitude meter	This special tool can be used to measure vibratory drums' vibration frequency and amplitude.	2277444	
			Frequency meter	The frequency meter is used to test and adjust oscillating and VIO drum belt tension.	2256382	
	H242	1 - 9999	Frequency and amplitude meter	This special tool can be used to measure vibratory drums' vibration frequency and amplitude.	2277444	
			Frequency meter	The frequency meter is used to test and adjust oscillating and VIO drum belt tension.	2256382	
		10 - 9999	Oscillating drum adjustment tool	This tool is used to adjust the oscillation drum after a belt change or repair.	2532355	
HD+ 120	H184, H259	1 - 9999	Frequency and amplitude meter	This special tool can be used to measure vibratory drums' vibration frequency and amplitude.	2277444	
			Frequency meter	The frequency meter is used to test and adjust oscillating and VIO drum belt tension.	2256382	
			10 - 9999	Oscillating drum adjustment tool	This tool is used to adjust the oscillation drum after a belt change or repair.	2247253
HD+ 120i	H207, H243	1 - 9999	Frequency and amplitude meter	This special tool can be used to measure vibratory drums' vibration frequency and amplitude.	2277444	
			Frequency meter	The frequency meter is used to test and adjust oscillating and VIO drum belt tension.	2256382	
				10 - 9999	Oscillating drum adjustment tool	This tool is used to adjust the oscillation drum after a belt change or repair.
	H274	1 - 9999	Oscillating drum adjustment tool	This tool is used to adjust the oscillation drum after a belt change or repair.	2247253	
			Frequency and amplitude meter	This special tool can be used to measure vibratory drums' vibration frequency and amplitude.	2277444	
			Frequency meter	The frequency meter is used to test and adjust oscillating and VIO drum belt tension.	2256382	
HD+ 140	H184	10 - 9999	Oscillating drum adjustment tool	This tool is used to adjust the oscillation drum after a belt change or repair.	2247253	
	H259	1 - 9999	Frequency and amplitude meter	This special tool can be used to measure vibratory drums' vibration frequency and amplitude.	2277444	
			Frequency meter	The frequency meter is used to test and adjust oscillating and VIO drum belt tension.	2256382	
		10 - 9999	Oscillating drum adjustment tool	This tool is used to adjust the oscillation drum after a belt change or repair.	2247253	
HD+ 140i	H207, H243	1 - 9999	Frequency and amplitude meter	This special tool can be used to measure vibratory drums' vibration frequency and amplitude.	2277444	
			Frequency meter	The frequency meter is used to test and adjust oscillating and VIO drum belt tension.	2256382	
				10 - 9999	Oscillating drum adjustment tool	This tool is used to adjust the oscillation drum after a belt change or repair.





OTHER TOOLS					
Series code	Serial code	Series range	Part	Description	Part no.
HD+ 140i	H274	1 - 9999	Oscillating drum adjustment tool	This tool is used to adjust the oscillation drum after a belt change or repair.	2247253
			Frequency and amplitude meter	This special tool can be used to measure vibratory drums' vibration frequency and amplitude.	2277444
			Frequency meter	The frequency meter is used to test and adjust oscillating and VIO drum belt tension.	2256382
HD 70	H187	1 - 9999	Frequency and amplitude meter	This special tool can be used to measure vibratory drums' vibration frequency and amplitude.	2277444
			Frequency meter	The frequency meter is used to test and adjust oscillating and VIO drum belt tension.	2256382
HD 75	H187	1 - 9999	Frequency and amplitude meter	This special tool can be used to measure vibratory drums' vibration frequency and amplitude.	2277444
			Frequency meter	The frequency meter is used to test and adjust oscillating and VIO drum belt tension.	2256382
HD 90	H174, H181	1 - 9999	Frequency and amplitude meter	This special tool can be used to measure vibratory drums' vibration frequency and amplitude.	2277444
			Frequency meter	The frequency meter is used to test and adjust oscillating and VIO drum belt tension.	2256382
HD 110	H174, H181	1 - 9999	Frequency and amplitude meter	This special tool can be used to measure vibratory drums' vibration frequency and amplitude.	2277444
			Frequency meter	The frequency meter is used to test and adjust oscillating and VIO drum belt tension.	2256382
HD 120	H275, H182	1 - 9999	Frequency and amplitude meter	This special tool can be used to measure vibratory drums' vibration frequency and amplitude.	2277444
			Frequency meter	The frequency meter is used to test and adjust oscillating and VIO drum belt tension.	2256382
		10 - 9999	Oscillating drum adjustment tool	This tool is used to adjust the oscillation drum after a belt change or repair.	2247253
HD 130	H275	1 - 9999	Frequency and amplitude meter	This special tool can be used to measure vibratory drums' vibration frequency and amplitude.	2277444
			Frequency meter	The frequency meter is used to test and adjust oscillating and VIO drum belt tension.	2256382
		10 - 9999	Oscillating drum adjustment tool	This tool is used to adjust the oscillation drum after a belt change or repair.	2247253
	H182	10 - 9999	Oscillating drum adjustment tool	This tool is used to adjust the oscillation drum after a belt change or repair.	2247253
DV 65	H197	1 - 9999	Frequency and amplitude meter	This special tool can be used to measure vibratory drums' vibration frequency and amplitude.	2277444
			Frequency meter	The frequency meter is used to test and adjust oscillating and VIO drum belt tension.	2256382
DV 70	H191	1 - 9999	Frequency and amplitude meter	This special tool can be used to measure vibratory drums' vibration frequency and amplitude.	2277444
			Frequency meter	The frequency meter is used to test and adjust oscillating and VIO drum belt tension.	2256382
DV 85	H198	1 - 9999	Frequency and amplitude meter	This special tool can be used to measure vibratory drums' vibration frequency and amplitude.	2277444
			Frequency meter	The frequency meter is used to test and adjust oscillating and VIO drum belt tension.	2256382
DV 90	H192	1 - 9999	Frequency and amplitude meter	This special tool can be used to measure vibratory drums' vibration frequency and amplitude.	2277444
			Frequency meter	The frequency meter is used to test and adjust oscillating and VIO drum belt tension.	2256382

# Original HAMM TOOLS

OTHER TOOLS					
Series code	Serial code	Series range	Part	Description	Part no.
DV+ 70i	H225	1 - 9999	Frequency and amplitude meter	This special tool can be used to measure vibratory drums' vibration frequency and amplitude.	2277444
			Frequency meter	The frequency meter is used to test and adjust oscillating and VIO drum belt tension.	2256382
		10 - 9999	Oscillating drum adjustment tool	This tool is used to adjust the oscillation drum after a belt change or repair.	2532355
DV+ 90i	H226, H246	1 - 9999	Frequency and amplitude meter	This special tool can be used to measure vibratory drums' vibration frequency and amplitude.	2277444
			Frequency meter	The frequency meter is used to test and adjust oscillating and VIO drum belt tension.	2256382
		10 - 9999	Oscillating drum adjustment tool	This tool is used to adjust the oscillation drum after a belt change or repair.	2532355

## SPRINKLING SYSTEM TOOLS

These kits, which are specially equipped according to machine type, are an essential addition to any roller with a drum or tyre sprinkling system and make it possible to carry out minor repairs to the water system in no time at all.



SPRINKLING SYSTEM TOOLS				
Series code	Serial code	Part		Part no.
HD 8	H199	Sprinkling system driver kit		2047906
HD 10C	H199	Sprinkling system driver kit		2047906
HD 8	H263	Sprinkling system driver kit		2047906
HD 9	H263	Sprinkling system driver kit		2047906
HD 10C	H263	Sprinkling system driver kit		2047906
HD 10	H200, H262	Sprinkling system driver kit		2047906
HD 10i	H251	Sprinkling system driver kit		2047906
HD 12	H200, H262	Sprinkling system driver kit		2047906
HD 12i	H251	Sprinkling system driver kit		2047906
HD 13	H201	Sprinkling system driver kit		2047906
HD 13i	H231, H265, H285	Sprinkling system driver kit		2047906



SPRINKLING SYSTEM TOOLS			
Series code	Serial code	Part	Part no.
HD 14	H201	Sprinkling system driver kit	2047906
HD 14i	H231, H265, H285	Sprinkling system driver kit	2047906
HD 30	H247	Sprinkling system driver kit	2047906
HD 35	H247	Sprinkling system driver kit	2047906
HD+ 70i	H186, H272	Sprinkling system driver kit	2117320
HD+ 80i	H186, H272	Sprinkling system driver kit	2117320
HD+ 90	H185	Sprinkling system driver kit	2117320
HD+ 90i	H209	Sprinkling system driver kit	2117320
HD+ 90	H258	Sprinkling system driver kit	2117320
HD+ 90i	H242	Sprinkling system driver kit	2117320
HD+ 90i PH	H241, H276	Sprinkling system driver kit	2117320
HD+ 110	H185, H258	Sprinkling system driver kit	2117320
HD+ 110i	H209, H242	Sprinkling system driver kit	2117320
HD+ 120	H184, H259	Sprinkling system driver kit	2117320
HD+ 120i	H207, H243, H274	Sprinkling system driver kit	2117320
HD+ 140	H184, H259	Sprinkling system driver kit	2117320
HD+ 140i	H207, H243, H274	Sprinkling system driver kit	2117320
HD 70	H187	Sprinkling system driver kit	2047933
		Service package for sprinkling systems	2039034
HD 75	H187	Sprinkling system driver kit	2047933
		Service package for sprinkling systems	2039034
HD 90	H181	Sprinkling system driver kit	2047933
		Service package for sprinkling systems	2039034
HD 110	H181	Sprinkling system driver kit	2047933
		Service package for sprinkling systems	2039034
HD 120	H182	Sprinkling system driver kit	2047933
		Service package for sprinkling systems	2039034

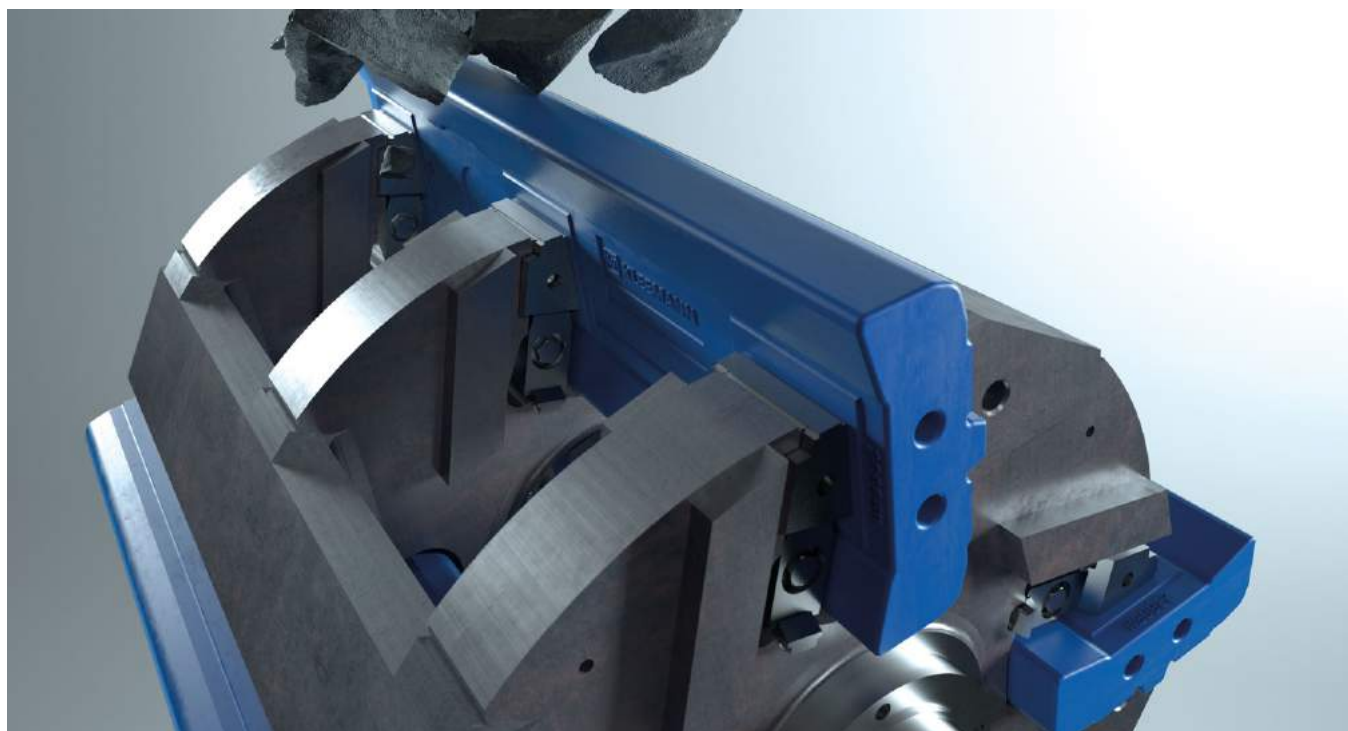
Original HAMM  
**TOOLS**

SPRINKLING SYSTEM TOOLS			
Series code	Serial code	Part	Part no.
HD 130	H182	Sprinkling system driver kit	2047933
		Service package for sprinkling systems	2039034
DV 65	H197	Sprinkling system driver kit	2047936
		Service package for sprinkling systems	2032389
DV 70	H191	Sprinkling system driver kit	2047936
		Service package for sprinkling systems	2032389
DV 85	H198	Sprinkling system driver kit	2047936
		Service package for sprinkling systems	2032389
DV 90	H192	Sprinkling system driver kit	2047936
		Service package for sprinkling systems	2032389
DV+ 70i	H225	Sprinkling system driver kit	2573896
DV+ 90i	H226, H246, H278	Sprinkling system driver kit	2573896
HD 150 TT	H193	Sprinkling system driver kit	2047944
		Service package for sprinkling systems	2039034
HP 280	H249	Sprinkling system driver kit	2196411
HP 240	H283	Sprinkling system driver kit	2196411
HP 280i	H271	Sprinkling system driver kit	2196411
HP 240i	H282	Sprinkling system driver kit	2196411
GRW 280i	H212, H244	Sprinkling system driver kit	2196411
GRW 180i	H228	Sprinkling system driver kit	2196411
GRW 280	H195, H229	Sprinkling system driver kit	2196411



Original KLEEMANN

# CRUSHING TOOLS FOR IMPACT CRUSHERS



KLEEMANN impact crushers can be used for a wide range of applications. From traditional natural stone processing to the recycling of residual construction materials and mining applications, the focus is primarily on two

objectives: increasing service life and reducing operating costs. The crushing tools are subject to varying degrees of wear depending on various influencing factors.



> Read more online

## IMPACT BARS

KLEEMANN only uses impact bars made of extremely wear-resistant material. The precise design of the plug connection ensures that it can be changed quickly during assembly.



IMPACT BARS				
Series code	Serial code	Series range	Position	Part no.
MR 100 R	K012	1 - 9999	rear	F10293604
			front	F10293614
MR 100 Z	K013	1 - 9999	rear	F10293604



IMPACT BARS				
Series code	Serial code	Series range	Position	Part no.
MR 100 Z	K013	1 - 9999	front	F10293614
MR 110 R EVO	K016	1 - 9999	front; rear	F20010151
MR 110 Z EVO	K017	1 - 9999	front; rear	F20010151
MR 110 EVO2	K018	1 - 9999	front; rear	F20010151
MR 110 i EVO2	K019	1 - 9999	front; rear	F20010151
MR 122i PRO	K031	1 - 9999	front; rear	F10501494
MR 122 PRO	K062	1 - 9999	front; rear	F10501494
MR 130 R	K023	1 - 199	front; rear	F10534824
MR 130 R EVO	K023	200 - 9999	front; rear	F10534824
MR 130 Z	K024	1 - 299	front; rear	F10534824
MR 130 Z EVO	K024	301 - 9999	front; rear	F10534824
MR 130 EVO2	K077	1 - 9999	front; rear	F10534824
MR 130i EVO2	K078	1 - 9999	front; rear	F10534824
MR 130 PRO	K124	1 - 9999	front; rear	F10534824
MR 130i PRO	K125	1 - 9999	front; rear	F10534824
MR 150 PRO	K063	1 - 9999	front; rear	F10365564
MR 170 PRO	K033	1 - 9999	front; rear	F10292013

# CRUSHING TOOLS FOR IMPACT CRUSHERS

## IMPACT PLATES

Thick-walled impact plates made of KLEEMANN Resistant Steel protect the lower impact wings against premature wear.



IMPACT PLATES					
Series code	Serial code	Series range	Part	Version	Part no.
MR 100 R	K012	33 - 9999	Upper impact plate Mn	Manganese steel	F10108612
			Lower impact plate Mn	Manganese steel	F10362772
MR 100 Z	K013	1 - 9999	Upper impact plate Mn	Manganese steel	F10108612
			Lower impact plate Mn	Manganese steel	F10362772
MR 110 R EVO	K016	1 - 9999	Set of impact plates M	Martensitic steel	2277483
			Set of MC impact plates	Martensitic steel with ceramic insert	2634218
			Set of impact plates Mn	Manganese steel	2274596
MR 110 Z EVO	K017	1 - 9999	Set of impact plates M	Martensitic steel	2277483
			Set of MC impact plates	Martensitic steel with ceramic insert	2634218
			Set of impact plates Mn	Manganese steel	2274596
MR 110 EVO2	K018	1 - 9999	Set of impact plates M	Martensitic steel	2277483
			Set of MC impact plates	Martensitic steel with ceramic insert	2634218
			Set of impact plates Mn	Manganese steel	2274596
MR 110 i EVO2	K019	1 - 9999	Set of impact plates M	Martensitic steel	2277483
			Set of MC impact plates	Martensitic steel with ceramic insert	2634218
			Set of impact plates Mn	Manganese steel	2274596
MR 122i PRO	K031	1 - 9999	Set of impact plates M	Martensitic steel	2535411
			Set of impact plates Mn	Manganese steel	2274599
MR 122 PRO	K062	1 - 9999	Set of impact plates M	Martensitic steel	2535411
			Set of impact plates Mn	Manganese steel	2274599





IMPACT PLATES					
Series code	Serial code	Series range	Part	Version	Part no.
MR 130 R	K023	1 - 199	Set of impact plates M	Martensitic steel	2277481
			Set of impact plates Mn	Manganese steel	2274600
MR 130 R EVO	K023	200 - 9999	Set of impact plates M	Martensitic steel	2277486
			Set of MC impact plates	Martensitic steel with ceramic insert	2634235
			Set of impact plates Mn	Manganese steel	2274601
MR 130 Z	K024	1 - 299	Set of impact plates M	Martensitic steel	2277481
			Set of impact plates Mn	Manganese steel	2274600
MR 130 Z EVO	K024	301 - 9999	Set of impact plates M	Martensitic steel	2277486
			Set of MC impact plates	Martensitic steel with ceramic insert	2634235
			Set of impact plates Mn	Manganese steel	2274601
MR 130 EVO2	K077	1 - 9999	Set of impact plates M	Martensitic steel	2277486
			Set of MC impact plates	Martensitic steel with ceramic insert	2634235
			Set of impact plates Mn	Manganese steel	2274601
MR 130i EVO2	K078	1 - 9999	Set of impact plates M	Martensitic steel	2277486
			Set of MC impact plates	Martensitic steel with ceramic insert	2634235
			Set of impact plates Mn	Manganese steel	2274601
MR 130 PRO	K124	1 - 9999	Set of impact plates M	Martensitic steel	2277486
			Set of MC impact plates	Martensitic steel with ceramic insert	2634235
			Set of impact plates Mn	Manganese steel	2274601
MR 130i PRO	K125	1 - 9999	Set of impact plates M	Martensitic steel	2277486
			Set of MC impact plates	Martensitic steel with ceramic insert	2634235
			Set of impact plates Mn	Manganese steel	2274601
MR 150 PRO	K063	1 - 9999	Impact plate	Reinforced manganese steel	F10001912
				Manganese steel	F10366263
MR 170 PRO	K033	1 - 9999	Impact plate	Reinforced manganese steel	F10001912
				Manganese steel, toothed	F10001892

# CRUSHING TOOLS FOR IMPACT CRUSHERS

## IMPACT WINGS

To manufacture the impact wings, KLEEMANN only uses hard manganese steel with excellent work hardening for maximum wear resistance. The impact wings stand out for their long service life due to the thick-walled wear layer and optimum crushing results due to their special design.



IMPACT WINGS				
Series code	Serial code	Series range	Position	Part no.
MR 100 R	K012	1 - 9999	upper	F10322171
			lower	F10322161
MR 100 Z	K013	1 - 9999	lower	F10322161
			upper	F10322171
MR 110 R EVO	K016	1 - 9999	upper	F20009826
			lower	F20009852
MR 110 Z EVO	K017	1 - 9999	upper	F20009826
			lower	F20009852
MR 110 EVO2	K018	1 - 9999	upper	F20009826
			lower	F20009852
MR 110 i EVO2	K019	1 - 9999	upper	F20009826
			lower	F20009852
MR 122i PRO	K031	1 - 9999	lower	F10501511
			lower	F10501501
MR 122 PRO	K062	1 - 9999	upper	F10501501
			lower	F10501511
MR 130 R	K023	1 - 199	upper	F10329091
			lower	F10483791
MR 130 R EVO	K023	200 - 9999	upper	F20011752
			lower	F20011758



IMPACT WINGS				
Series code	Serial code	Series range	Position	Part no.
MR 130 Z	K024	1 - 299	upper	F10329091
			lower	F10483791
MR 130 Z EVO	K024	301 - 9999	lower	F20011758
			upper	F20011752
MR 130 EVO2	K077	1 - 9999	upper	F20011752
			lower	F20011758
MR 130i EVO2	K078	1 - 9999	lower	F20011758
			upper	F20011752
MR 130 PRO	K124	1 - 9999	lower	F20011758
			upper	F20011752
MR 130i PRO	K125	1 - 9999	lower	F20011758
			upper	F20011752
MR 150 PRO	K063	1 - 9999	rear	F10365491
			front	F10363331
MR 170 PRO	K033	1 - 9999	front	2262174
			rear	2262238

# CRUSHING TOOLS FOR IMPACT CRUSHERS

## BLOW BARS

Achieving an outstanding crushing result with low wear costs is significantly influenced by the choice of the right blow bars. Genuine KLEEMANN blow bars offer more than just the right dimensions - the materials used, alloying elements and the entire casting process all play an important role in creating a reliable crushing tool.



BLOW BARS												
Series code	Serial code	Series range	Part	Version	Application	Maximum feed size	Maximum feed size from	Maximum feed size up to	Material with non-crushable content	Rotor	Package includes	Part no.
MR 100 R	K012	1 - 9999	Set of X-TRON. MC+ blow bars	Martensitic ceramic (higher ceramic insert)	Building rubble, mixed; Reinforced concrete; Natural stone, medium-hard; Natural stone, hard; Asphalt; Gravel	0 - 500	0	500	Yes	for 4-piece rotor high/low	2 pcs.	3044526



BLOW BARS												
Series code	Serial code	Series range	Part	Version	Application	Maximum feed size	Maximum feed size from	Maximum feed size up to	Material with non-crushable content	Rotor	Package includes	Part no.
MR 100 R	K012	1 - 9999	Set of Mart-Xtra blow bars		Building rubble, mixed; Reinforced concrete; Natural stone, medium-hard; Natural stone, hard; Asphalt; Gravel	0 - 500	0	500	Yes	for 4-piece rotor high/low	2 pcs.	2592676
					Building rubble, mixed; Reinforced concrete; Natural stone, medium-hard; Natural stone, hard; Asphalt; Gravel	0 - 700	0	700	Yes	for 4-piece rotor	4 pcs.	2604985



# CRUSHING TOOLS FOR IMPACT CRUSHERS

BLOW BARS												
Series code	Serial code	Series range	Part	Version	Application	Maximum feed size	Maximum feed size from	Maximum feed size up to	Material with non-crushable content	Rotor	Package includes	Part no.
MR 100 R	K012	1 - 9999	Set of X-TRON.CC blow bars	Chrome steel - ceramic	Building rubble, mixed; Natural stone, medium-hard; Natural stone, hard; Asphalt; Gravel	0 - 300	0	300	No	for 4-piece rotor	4 pcs.	2605024
				Chrome steel - ceramic	Building rubble, mixed; Natural stone, medium-hard; Natural stone, hard; Asphalt; Gravel	0 - 300	0	300	No	for 4-piece rotor high/low	2 pcs.	2592680



BLOW BARS												
Series code	Serial code	Series range	Part	Version	Application	Maximum feed size	Maximum feed size from	Maximum feed size up to	Material with non-crushable content	Rotor	Package includes	Part no.
MR 100 R	K012	1 - 9999	Set of X-TRO-N.M blow bars	Martensitic steel	Soft natural stone; Building rubble, mixed; Natural stone, medium-hard	0 - 700	0	700	Yes	for 4-piece rotor high/low	2 pcs.	2592669
				Martensitic steel	Soft natural stone; Building rubble, mixed	0 - 700	0	700	Yes	for 4-piece rotor	4 pcs.	2605001
			Set of X-TRO-N.Mn blow bars	Manganese steel	Soft natural stone	0 - 700	0	700	Yes	for 4-piece rotor	4 pcs.	2604990

# CRUSHING TOOLS FOR IMPACT CRUSHERS

BLOW BARS												
Series code	Serial code	Series range	Part	Version	Application	Maximum feed size	Maximum feed size from	Maximum feed size up to	Material with non-crushable content	Rotor	Package includes	Part no.
MR 100 R	K012	33 - 9999	Set of X-TRON. MC+ blow bars	Martensitic ceramic (higher ceramic insert)	Building rubble, mixed; Reinforced concrete; Natural stone, medium-hard; Natural stone, hard; Asphalt; Gravel	0 - 500	0	500	Yes	for 4-piece rotor high/low	4 pcs.	3004916
			Set of Mart-Xtra blow bars	Martensitic ceramic (higher ceramic insert)	Building rubble, mixed; Reinforced concrete; Natural stone, medium-hard; Natural stone, hard; Asphalt; Gravel	0 - 700	0	700	Yes	for 4-piece rotor	4 pcs.	2604985





BLOW BARS												
Series code	Serial code	Series range	Part	Version	Application	Maximum feed size	Maximum feed size from	Maximum feed size up to	Material with non-crushable content	Rotor	Package includes	Part no.
MR 100 R	K012	33 - 9999	Set of X-TRO-N.Mn blow bars	Manganese steel	Soft natural stone	0 - 700	0	700	Yes	for 4-piece rotor high/low	2 pcs.	2592653
MR 100 Z	K013	1 - 9999	Set of X-TRO-N.MC+ blow bars	Martensitic ceramic (higher ceramic insert)	Building rubble, mixed; Reinforced concrete; Natural stone, medium-hard; Natural stone, hard; Asphalt; Gravel	0 - 500	0	500	Yes	for 4-piece rotor high/low	2 pcs.	3044526

# CRUSHING TOOLS FOR IMPACT CRUSHERS

BLOW BARS												
Series code	Serial code	Series range	Part	Version	Application	Maximum feed size	Maximum feed size from	Maximum feed size up to	Material with non-crushable content	Rotor	Package includes	Part no.
MR 100 Z	K013	1 - 9999	Set of X-TRON. MC+ blow bars	Martensitic ceramic (higher ceramic insert)	Building rubble, mixed; Reinforced concrete; Natural stone, medium-hard; Natural stone, hard; Asphalt; Gravel	0 - 500	0	500	Yes	for 4-piece rotor high/low	4 pcs.	3004916
			Set of Mart-Xtra blow bars	Martensitic ceramic (higher ceramic insert)	Building rubble, mixed; Reinforced concrete; Natural stone, medium-hard; Natural stone, hard; Asphalt; Gravel	0 - 500	0	500	Yes	for 4-piece rotor high/low	2 pcs.	2592676



BLOW BARS												
Series code	Serial code	Series range	Part	Version	Application	Maximum feed size	Maximum feed size from	Maximum feed size up to	Material with non-crushable content	Rotor	Package includes	Part no.
MR 100 Z	K013	1 - 9999	Set of Mart-Xtra blow bars	Martensitic ceramic (higher ceramic insert)	Building rubble, mixed; Reinforced concrete; Natural stone, medium-hard; Natural stone, hard; Asphalt; Gravel	0 - 700	0	700	Yes	for 4-piece rotor	4 pcs.	2604985
			Set of X-TRO-N.CC blow bars	Chrome steel - ceramic	Building rubble, mixed; Natural stone, medium-hard; Natural stone, hard; Asphalt; Gravel	0 - 300	0	300	No	for 4-piece rotor	4 pcs.	2605024

# CRUSHING TOOLS FOR IMPACT CRUSHERS

BLOW BARS												
Series code	Serial code	Series range	Part	Version	Application	Maximum feed size	Maximum feed size from	Maximum feed size up to	Material with non-crushable content	Rotor	Package includes	Part no.
MR 100 Z	K013	1 - 9999	Set of X-TRO-N.CC blow bars	Chrome steel - ceramic	Building rubble, mixed; Natural stone, medium-hard; Natural stone, hard; Asphalt; Gravel	0 - 300	0	300	No	for 4-piece rotor high/low	2 pcs.	2592680
				Martensitic steel	Soft natural stone; Building rubble, mixed	0 - 700	0	700	Yes	for 4-piece rotor	4 pcs.	2605001
			Set of X-TRO-N.M blow bars	Martensitic steel	Soft natural stone; Building rubble, mixed; Natural stone, medium-hard	0 - 700	0	700	Yes	for 4-piece rotor high/low	2 pcs.	2592669



BLOW BARS												
Series code	Serial code	Series range	Part	Version	Application	Maximum feed size	Maximum feed size from	Maximum feed size up to	Material with non-crushable content	Rotor	Package includes	Part no.
MR 100 Z	K013	1 - 9999	Set of X-TRO-N.Mn blow bars	Manganese steel	Soft natural stone	0 - 700	0	700	Yes	for 4-piece rotor	4 pcs.	2604990
				Manganese steel	Soft natural stone	0 - 700	0	700	Yes	for 4-piece rotor high/low	2 pcs.	2592653
MR 110 R EVO	K016	1 - 9999	Set of CHROMXPERT blow bars	Chrome steel - ceramic	Building rubble, mixed; Natural stone, medium-hard; Natural stone, hard; Asphalt; Gravel	0 - 300	0	300	No	for 4-piece rotor	4 pcs.	2604423
				Chrome steel - ceramic	Building rubble, mixed; Natural stone, medium-hard; Natural stone, hard; Asphalt; Gravel	0 - 300	0	300	No	for 4-piece rotor high/low	2 pcs.	2592825

# CRUSHING TOOLS FOR IMPACT CRUSHERS

BLOW BARS												
Series code	Serial code	Series range	Part	Version	Application	Maximum feed size	Maximum feed size from	Maximum feed size up to	Material with non-crushable content	Rotor	Package includes	Part no.
MR 110 REVO	K016	1 - 9999	Set of CHR-OMX-PERT blow bars	Chrome steel - ceramic	Building rubble, mixed; Natural stone, medium-hard; Natural stone, hard; Asphalt; Gravel	0 - 300	0	300	No	for 3-piece rotor	3 pcs.	2592827
			Set of C-TRO-N.C blow bars	Chrome steel	Building rubble, mixed; Natural stone, medium-hard; Reinforced concrete; Natural stone, hard; Asphalt	0 - 400	0	400	No	for 3-piece rotor	3 pcs.	2592807



BLOW BARS												
Series code	Serial code	Series range	Part	Version	Application	Maximum feed size	Maximum feed size from	Maximum feed size up to	Material with non-crushable content	Rotor	Package includes	Part no.
MR 110 R EVO	K016	1 - 9999	Set of C-TRO-N.C blow bars	Chrome steel	Building rubble, mixed; Natural stone, medium-hard; Reinforced concrete; Natural stone, hard; Asphalt	0 - 400	0	400	No	for 4-piece rotor	4 pcs.	2604419
				Chrome steel	Building rubble, mixed; Natural stone, medium-hard; Reinforced concrete; Natural stone, hard; Asphalt	0 - 400	0	400	No	for 4-piece rotor high/low	2 pcs.	2592804



# CRUSHING TOOLS FOR IMPACT CRUSHERS

BLOW BARS												
Series code	Serial code	Series range	Part	Version	Application	Maximum feed size	Maximum feed size from	Maximum feed size up to	Material with non-crushable content	Rotor	Package includes	Part no.
MR 110 R EVO	K016	1 - 9999	Set of C-TRO-N.CC blow bars	Chrome steel - ceramic	Building rubble, mixed; Natural stone, medium-hard; Natural stone, hard; Asphalt; Gravel	0 - 300	0	300	No	for 4-piece rotor	4 pcs.	2604415
				Chrome steel - ceramic	Building rubble, mixed; Natural stone, medium-hard; Natural stone, hard; Asphalt; Gravel	0 - 300	0	300	No	for 4-piece rotor high/low	2 pcs.	2592813





BLOW BARS												
Series code	Serial code	Series range	Part	Version	Application	Maximum feed size	Maximum feed size from	Maximum feed size up to	Material with non-crushable content	Rotor	Package includes	Part no.
MR 110 R EVO	K016	1 - 9999	Set of C-TRO-N.CC blow bars	Chrome steel - ceramic	Building rubble, mixed; Natural stone, medium-hard; Natural stone, hard; Asphalt; Gravel	0 - 300	0	300	No	for 3-piece rotor	3 pcs.	2592817
						0 - 700	0	700	Yes	for 4-piece rotor high/low	2 pcs.	2592778
			Set of C-TRO-N.M blow bars	Martensitic steel	Soft natural stone; Building rubble, mixed	0 - 700	0	700	Yes	for 4-piece rotor	4 pcs.	2604463
						0 - 700	0	700	Yes	for 3-piece rotor	3 pcs.	2592786

# CRUSHING TOOLS FOR IMPACT CRUSHERS

BLOW BARS												
Series code	Serial code	Series range	Part	Version	Application	Maximum feed size	Maximum feed size from	Maximum feed size up to	Material with non-crushable content	Rotor	Package includes	Part no.
MR 110 REVO	K016	1 - 9999	Set of C-TRON. MC+ blow bars	Martensitic ceramic (higher ceramic insert)	Building rubble, mixed; Reinforced concrete; Natural stone, medium-hard; Natural stone, hard; Asphalt; Gravel	0 - 500	0	500	Yes	for 3-piece rotor	3 pcs.	2593773
				Martensitic ceramic (higher ceramic insert)	Building rubble, mixed; Reinforced concrete; Natural stone, medium-hard; Natural stone, hard; Asphalt; Gravel	0 - 500	0	500	Yes	for 4-piece rotor high/low	2 pcs.	2593767



BLOW BARS												
Series code	Serial code	Series range	Part	Version	Application	Maximum feed size	Maximum feed size from	Maximum feed size up to	Material with non-crushable content	Rotor	Package includes	Part no.
MR 110 R EVO	K016	1 - 9999	Set of C-TRO-N. MC+ blow bars	Martensitic ceramic (higher ceramic insert)	Building rubble, mixed; Reinforced concrete; Natural stone, medium-hard; Natural stone, hard; Asphalt; Gravel	0 - 500	0	500	Yes	for 4-piece rotor	4 pcs.	2642126
			Set of C-TRO-N.Mn blow bars	Manganese steel	Soft natural stone	0 - 700	0	700	Yes	for 4-piece rotor high/low	2 pcs.	2592682
				Manganese steel	Soft natural stone	0 - 700	0	700	Yes	for 3-piece rotor	3 pcs.	2592766
				Manganese steel	Soft natural stone	0 - 700	0	700	Yes	for 4-piece rotor	4 pcs.	2604514



# CRUSHING TOOLS FOR IMPACT CRUSHERS

BLOW BARS												
Series code	Serial code	Series range	Part	Version	Application	Maximum feed size	Maximum feed size from	Maximum feed size up to	Material with non-crushable content	Rotor	Package includes	Part no.
MR 110 R EVO	K016	1 - 9999	Set of Mart-Xtra blow bars	Martensitic ceramic (higher ceramic insert)	Building rubble, mixed; Reinforced concrete; Natural stone, medium-hard; Natural stone, hard; Asphalt; Gravel	0 - 500	0	500	Yes	for 4-piece rotor high/low	2 pcs.	2592791
				Martensitic ceramic (higher ceramic insert)	Building rubble, mixed; Reinforced concrete; Natural stone, medium-hard; Natural stone, hard; Asphalt; Gravel	0 - 500	0	500	Yes	for 3-piece rotor	3 pcs.	2592795



BLOW BARS												
Series code	Serial code	Series range	Part	Version	Application	Maximum feed size	Maximum feed size from	Maximum feed size up to	Material with non-crushable content	Rotor	Package includes	Part no.
MR 110 R EVO	K016	1 - 9999	Set of Mart-Xtra blow bars	Martensitic ceramic (higher ceramic insert)	Building rubble, mixed; Reinforced concrete; Natural stone, medium-hard; Natural stone, hard; Asphalt; Gravel	0 - 700	0	700	Yes	for 4-piece rotor	4 pcs.	2604420
MR 110 Z EVO	K017	1 - 9999	Set of CHR-OMXPERT blow bars	Chrome steel - ceramic	Building rubble, mixed; Natural stone, medium-hard; Natural stone, hard; Asphalt; Gravel	0 - 300	0	300	No	for 3-piece rotor	3 pcs.	2592827

# CRUSHING TOOLS FOR IMPACT CRUSHERS

BLOW BARS												
Series code	Serial code	Series range	Part	Version	Application	Maximum feed size	Maximum feed size from	Maximum feed size up to	Material with non-crushable content	Rotor	Package includes	Part no.
MR 110 Z EVO	K017	1 - 9999	Set of CHROMPERT blow bars	Chrome steel - ceramic	Building rubble, mixed; Natural stone, medium-hard; Natural stone, hard; Asphalt; Gravel	0 - 300	0	300	No	for 4-piece rotor high/low	2 pcs.	2592825
				Chrome steel - ceramic	Building rubble, mixed; Natural stone, medium-hard; Natural stone, hard; Asphalt; Gravel	0 - 300	0	300	No	for 4-piece rotor	4 pcs.	2604423



BLOW BARS												
Series code	Serial code	Series range	Part	Version	Application	Maximum feed size	Maximum feed size from	Maximum feed size up to	Material with non-crushable content	Rotor	Package includes	Part no.
MR 110 Z EVO	K017	1 - 9999	Set of C-TRO-N.C blow bars	Chrome steel	Building rubble, mixed; Natural stone, medium-hard; Reinforced concrete; Natural stone, hard; Asphalt	0 - 400	0	400	No	for 4-piece rotor	4 pcs.	2604419
				Chrome steel	Building rubble, mixed; Natural stone, medium-hard; Reinforced concrete; Natural stone, hard; Asphalt	0 - 400	0	400	No	for 4-piece rotor high/low	2 pcs.	2592804

# CRUSHING TOOLS FOR IMPACT CRUSHERS

BLOW BARS												
Series code	Serial code	Series range	Part	Version	Application	Maximum feed size	Maximum feed size from	Maximum feed size up to	Material with non-crushable content	Rotor	Package includes	Part no.
MR 110 Z EVO	K017	1 - 9999	Set of C-TRO-N.C blow bars	Chrome steel	Building rubble, mixed; Natural stone, medium-hard; Reinforced concrete; Natural stone, hard; Asphalt	0 - 400	0	400	No	for 3-piece rotor	3 pcs.	2592807
			Set of C-TRO-N.CC blow bars	Chrome steel - ceramic	Building rubble, mixed; Natural stone, medium-hard; Natural stone, hard; Asphalt; Gravel	0 - 300	0	300	No	for 4-piece rotor	4 pcs.	2604415





BLOW BARS												
Series code	Serial code	Series range	Part	Version	Application	Maximum feed size	Maximum feed size from	Maximum feed size up to	Material with non-crushable content	Rotor	Package includes	Part no.
MR 110 Z EVO	K017	1 - 9999	Set of C-TRO-N.CC blow bars	Chrome steel - ceramic	Building rubble, mixed; Natural stone, medium-hard; Natural stone, hard; Asphalt; Gravel	0 - 300	0	300	No	for 3-piece rotor	3 pcs.	2592817
				Chrome steel - ceramic	Building rubble, mixed; Natural stone, medium-hard; Natural stone, hard; Asphalt; Gravel	0 - 300	0	300	No	for 4-piece rotor high/low	2 pcs.	2592813
			Set of C-TRO-N.M blow bars	Martensitic steel	Soft natural stone; Building rubble, mixed	0 - 700	0	700	Yes	for 4-piece rotor	4 pcs.	2604463



# CRUSHING TOOLS FOR IMPACT CRUSHERS

BLOW BARS												
Series code	Serial code	Series range	Part	Version	Application	Maximum feed size	Maximum feed size from	Maximum feed size up to	Material with non-crushable content	Rotor	Package includes	Part no.
MR 110 Z EVO	K017	1 - 9999	Set of C-TRO-N.M blow bars	Martensitic steel	Soft natural stone; Building rubble, mixed	0 - 700	0	700	Yes	for 3-piece rotor	3 pcs.	2592786
				Martensitic steel	Soft natural stone; Building rubble, mixed	0 - 700	0	700	Yes	for 4-piece rotor high/low	2 pcs.	2592778
			Set of C-TRO-N.MC+ blow bars	Martensitic ceramic (higher ceramic insert)	Building rubble, mixed; Reinforced concrete; Natural stone, medium-hard; Natural stone, hard; Asphalt; Gravel	0 - 500	0	500	Yes	for 3-piece rotor	3 pcs.	2593773



BLOW BARS												
Series code	Serial code	Series range	Part	Version	Application	Maximum feed size	Maximum feed size from	Maximum feed size up to	Material with non-crushable content	Rotor	Package includes	Part no.
MR 110 Z EVO	K017	1 - 9999	Set of C-TRON. MC+ blow bars	Martensitic ceramic (higher ceramic insert)	Building rubble, mixed; Reinforced concrete; Natural stone, medium-hard; Natural stone, hard; Asphalt; Gravel	0 - 500	0	500	Yes	for 4-piece rotor	4 pcs.	2642126
				Martensitic ceramic (higher ceramic insert)	Building rubble, mixed; Reinforced concrete; Natural stone, medium-hard; Natural stone, hard; Asphalt; Gravel	0 - 500	0	500	Yes	for 4-piece rotor high/low	2 pcs.	2593767



# CRUSHING TOOLS FOR IMPACT CRUSHERS

BLOW BARS												
Series code	Serial code	Series range	Part	Version	Application	Maximum feed size	Maximum feed size from	Maximum feed size up to	Material with non-crushable content	Rotor	Package includes	Part no.
MR 110 Z EVO	K017	1 - 9999	Set of C-TRO-N.Mn blow bars	Manganese steel	Soft natural stone	0 - 700	0	700	Yes	for 4-piece rotor high/low	2 pcs.	2592682
				Manganese steel	Soft natural stone	0 - 700	0	700	Yes	for 3-piece rotor	3 pcs.	2592766
				Manganese steel	Soft natural stone	0 - 700	0	700	Yes	for 4-piece rotor	4 pcs.	2604514
			Set of Mart-Xtra blow bars	Martensitic ceramic (higher ceramic insert)	Building rubble, mixed; Reinforced concrete; Natural stone, medium-hard; Natural stone, hard; Asphalt; Gravel	0 - 700	0	700	Yes	for 4-piece rotor	4 pcs.	2604420



BLOW BARS												
Series code	Serial code	Series range	Part	Version	Application	Maximum feed size	Maximum feed size from	Maximum feed size up to	Material with non-crushable content	Rotor	Package includes	Part no.
MR 110 Z EVO	K017	1 - 9999	Set of Mart-Xtra blow bars		Martensitic ceramic (higher ceramic insert)	0 - 500	0	500	Yes	for 3-piece rotor	3 pcs.	2592795
					Martensitic ceramic (higher ceramic insert)	0 - 500	0	500	Yes	for 4-piece rotor high/low	2 pcs.	2592791



# CRUSHING TOOLS FOR IMPACT CRUSHERS

BLOW BARS												
Series code	Serial code	Series range	Part	Version	Application	Maximum feed size	Maximum feed size from	Maximum feed size up to	Material with non-crushable content	Rotor	Package includes	Part no.
MR 110 EVO2	K018	1 - 9999	Set of CHROMPERT blow bars	Chrome steel - ceramic	Building rubble, mixed; Natural stone, medium-hard; Natural stone, hard; Asphalt; Gravel	0 - 300	0	300	No	for 4-piece rotor	4 pcs.	2604423
				Chrome steel - ceramic	Building rubble, mixed; Natural stone, medium-hard; Natural stone, hard; Asphalt; Gravel	0 - 300	0	300	No	for 4-piece rotor high/low	2 pcs.	2592825



BLOW BARS												
Series code	Serial code	Series range	Part	Version	Application	Maximum feed size	Maximum feed size from	Maximum feed size up to	Material with non-crushable content	Rotor	Package includes	Part no.
MR 110 EVO2	K018	1 - 9999	Set of CHR-OMX-PERT blow bars	Chrome steel - ceramic	Building rubble, mixed; Natural stone, medium-hard; Natural stone, hard; Asphalt; Gravel	0 - 300	0	300	No	for 3-piece rotor	3 pcs.	2592827
			Set of C-TRO-N.C blow bars	Chrome steel	Building rubble, mixed; Natural stone, medium-hard; Reinforced concrete; Natural stone, hard; Asphalt	0 - 400	0	400	No	for 3-piece rotor	3 pcs.	2592807



# CRUSHING TOOLS FOR IMPACT CRUSHERS

BLOW BARS												
Series code	Serial code	Series range	Part	Version	Application	Maximum feed size	Maximum feed size from	Maximum feed size up to	Material with non-crushable content	Rotor	Package includes	Part no.
MR 110 EVO2	K018	1 - 9999	Set of C-TRO-N.C blow bars	Chrome steel	Building rubble, mixed; Natural stone, medium-hard; Reinforced concrete; Natural stone, hard; Asphalt	0 - 400	0	400	No	for 4-piece rotor	4 pcs.	2604419
				Chrome steel	Building rubble, mixed; Natural stone, medium-hard; Reinforced concrete; Natural stone, hard; Asphalt	0 - 400	0	400	No	for 4-piece rotor high/low	2 pcs.	2592804





BLOW BARS												
Series code	Serial code	Series range	Part	Version	Application	Maximum feed size	Maximum feed size from	Maximum feed size up to	Material with non-crushable content	Rotor	Package includes	Part no.
MR 110 EVO2	K018	1 - 9999	Set of C-TRO-N.CC blow bars	Chrome steel - ceramic	Building rubble, mixed; Natural stone, medium-hard; Natural stone, hard; Asphalt; Gravel	0 - 300	0	300	No	for 4-piece rotor	4 pcs.	2604415
				Chrome steel - ceramic	Building rubble, mixed; Natural stone, medium-hard; Natural stone, hard; Asphalt; Gravel	0 - 300	0	300	No	for 4-piece rotor high/low	2 pcs.	2592813

# CRUSHING TOOLS FOR IMPACT CRUSHERS

BLOW BARS												
Series code	Serial code	Series range	Part	Version	Application	Maximum feed size	Maximum feed size from	Maximum feed size up to	Material with non-crushable content	Rotor	Package includes	Part no.
MR 110 EVO2	K018	1 - 9999	Set of C-TRO-N.CC blow bars	Chrome steel - ceramic	Building rubble, mixed; Natural stone, medium-hard; Natural stone, hard; Asphalt; Gravel	0 - 300	0	300	No	for 3-piece rotor	3 pcs.	2592817
						Set of C-TRO-N.M blow bars	Martensitic steel	Soft natural stone; Building rubble, mixed	0 - 700	0	700	Yes
			Martensitic steel	Soft natural stone; Building rubble, mixed	0 - 700				0	700	Yes	for 4-piece rotor
					Martensitic steel	Soft natural stone; Building rubble, mixed	0 - 700	0	700	Yes	for 3-piece rotor	3 pcs.



BLOW BARS												
Series code	Serial code	Series range	Part	Version	Application	Maximum feed size	Maximum feed size from	Maximum feed size up to	Material with non-crushable content	Rotor	Package includes	Part no.
MR 110 EVO2	K018	1 - 9999	Set of C-TRON. MC+ blow bars		Martensitic ceramic (higher ceramic insert)	0 - 500	0	500	Yes	for 3-piece rotor	3 pcs.	2593773
					Martensitic ceramic (higher ceramic insert)	0 - 500	0	500	Yes	for 4-piece rotor high/low	2 pcs.	2593767

# CRUSHING TOOLS FOR IMPACT CRUSHERS

BLOW BARS												
Series code	Serial code	Series range	Part	Version	Application	Maximum feed size	Maximum feed size from	Maximum feed size up to	Material with non-crushable content	Rotor	Package includes	Part no.
MR 110 EVO2	K018	1 - 9999	Set of C-TRON.MC+ blow bars	Martensitic ceramic (higher ceramic insert)	Building rubble, mixed; Reinforced concrete; Natural stone, medium-hard; Natural stone, hard; Asphalt; Gravel	0 - 500	0	500	Yes	for 4-piece rotor	4 pcs.	2642126
			Set of C-TRON.Mn blow bars	Manganese steel	Soft natural stone	0 - 700	0	700	Yes	for 4-piece rotor high/low	2 pcs.	2592682
				Manganese steel	Soft natural stone	0 - 700	0	700	Yes	for 3-piece rotor	3 pcs.	2592766
				Manganese steel	Soft natural stone	0 - 700	0	700	Yes	for 4-piece rotor	4 pcs.	2604514



BLOW BARS												
Series code	Serial code	Series range	Part	Version	Application	Maximum feed size	Maximum feed size from	Maximum feed size up to	Material with non-crushable content	Rotor	Package includes	Part no.
MR 110 EVO2	K018	1 - 9999	Set of Mart-Xtra blow bars		Building rubble, mixed; Reinforced concrete; Natural stone, medium-hard; Natural stone, hard; Asphalt; Gravel	0 - 500	0	500	Yes	for 4-piece rotor high/low	2 pcs.	2592791
					Building rubble, mixed; Reinforced concrete; Natural stone, medium-hard; Natural stone, hard; Asphalt; Gravel	0 - 500	0	500	Yes	for 3-piece rotor	3 pcs.	2592795



# CRUSHING TOOLS FOR IMPACT CRUSHERS

BLOW BARS												
Series code	Serial code	Series range	Part	Version	Application	Maximum feed size	Maximum feed size from	Maximum feed size up to	Material with non-crushable content	Rotor	Package includes	Part no.
MR 110 EVO2	K018	1 - 9999	Set of Mart-Xtra blow bars	Martensitic ceramic (higher ceramic insert)	Building rubble, mixed; Reinforced concrete; Natural stone, medium-hard; Natural stone, hard; Asphalt; Gravel	0 - 700	0	700	Yes	for 4-piece rotor	4 pcs.	2604420
MR 110 i EVO2	K019	1 - 9999	Set of CHR-OMX-PERT blow bars	Chrome steel - ceramic	Building rubble, mixed; Natural stone, medium-hard; Natural stone, hard; Asphalt; Gravel	0 - 300	0	300	No	for 4-piece rotor	4 pcs.	2604423



BLOW BARS												
Series code	Serial code	Series range	Part	Version	Application	Maximum feed size	Maximum feed size from	Maximum feed size up to	Material with non-crushable content	Rotor	Package includes	Part no.
MR 110 i EVO2	K019	1 - 9999	Set of CHROMPERT blow bars	Chrome steel - ceramic	Building rubble, mixed; Natural stone, medium-hard; Natural stone, hard; Asphalt; Gravel	0 - 300	0	300	No	for 4-piece rotor high/low	2 pcs.	2592825
				Chrome steel - ceramic	Building rubble, mixed; Natural stone, medium-hard; Natural stone, hard; Asphalt; Gravel	0 - 300	0	300	No	for 3-piece rotor	3 pcs.	2592827

# CRUSHING TOOLS FOR IMPACT CRUSHERS

BLOW BARS												
Series code	Serial code	Series range	Part	Version	Application	Maximum feed size	Maximum feed size from	Maximum feed size up to	Material with non-crushable content	Rotor	Package includes	Part no.
MR 110 iEVO2	K019	1 - 9999	Set of C-TRO-N.C blow bars	Chrome steel	Building rubble, mixed; Natural stone, medium-hard; Reinforced concrete; Natural stone, hard; Asphalt	0 - 400	0	400	No	for 3-piece rotor	3 pcs.	2592807
				Chrome steel	Building rubble, mixed; Natural stone, medium-hard; Reinforced concrete; Natural stone, hard; Asphalt	0 - 400	0	400	No	for 4-piece rotor	4 pcs.	2604419





BLOW BARS												
Series code	Serial code	Series range	Part	Version	Application	Maximum feed size	Maximum feed size from	Maximum feed size up to	Material with non-crushable content	Rotor	Package includes	Part no.
MR 110 i EVO2	K019	1 - 9999	Set of C-TRO-N.C blow bars	Chrome steel	Building rubble, mixed; Natural stone, medium-hard; Reinforced concrete; Natural stone, hard; Asphalt	0 - 400	0	400	No	for 4-piece rotor high/low	2 pcs.	2592804
			Set of C-TRO-N.CC blow bars	Chrome steel - ceramic	Building rubble, mixed; Natural stone, medium-hard; Natural stone, hard; Asphalt; Gravel	0 - 300	0	300	No	for 4-piece rotor	4 pcs.	2604415

# CRUSHING TOOLS FOR IMPACT CRUSHERS

BLOW BARS												
Series code	Serial code	Series range	Part	Version	Application	Maximum feed size	Maximum feed size from	Maximum feed size up to	Material with non-crushable content	Rotor	Package includes	Part no.
MR 110 i EVO2	K019	1 - 9999	Set of C-TRO-N.CC blow bars	Chrome steel - ceramic	Building rubble, mixed; Natural stone, medium-hard; Natural stone, hard; Asphalt; Gravel	0 - 300	0	300	No	for 4-piece rotor high/low	2 pcs.	2592813
				Chrome steel - ceramic	Building rubble, mixed; Natural stone, medium-hard; Natural stone, hard; Asphalt; Gravel	0 - 300	0	300	No	for 3-piece rotor	3 pcs.	2592817
			Set of C-TRO-N.M blow bars	Martensitic steel	Soft natural stone; Building rubble, mixed	0 - 700	0	700	Yes	for 4-piece rotor high/low	2 pcs.	2592778



BLOW BARS												
Series code	Serial code	Series range	Part	Version	Application	Maximum feed size	Maximum feed size from	Maximum feed size up to	Material with non-crushable content	Rotor	Package includes	Part no.
MR 110 i EVO2	K019	1 - 9999	Set of C-TRO-N.M blow bars	Martensitic steel	Soft natural stone; Building rubble, mixed	0 - 700	0	700	Yes	for 4-piece rotor	4 pcs.	2604463
				Martensitic steel	Soft natural stone; Building rubble, mixed	0 - 700	0	700	Yes	for 3-piece rotor	3 pcs.	2592786
			Set of C-TRO-N.MC+ blow bars	Martensitic ceramic (higher ceramic insert)	Building rubble, mixed; Reinforced concrete; Natural stone, medium-hard; Natural stone, hard; Asphalt; Gravel	0 - 500	0	500	Yes	for 3-piece rotor	3 pcs.	2593773

# CRUSHING TOOLS FOR IMPACT CRUSHERS

BLOW BARS												
Series code	Serial code	Series range	Part	Version	Application	Maximum feed size	Maximum feed size from	Maximum feed size up to	Material with non-crushable content	Rotor	Package includes	Part no.
MR 110 i EVO2	K019	1 - 9999	Set of C-TRON. MC+ blow bars		Building rubble, mixed; Reinforced concrete; Natural stone, medium-hard; Natural stone, hard; Asphalt; Gravel	0 - 500	0	500	Yes	for 4-piece rotor high/low	2 pcs.	2593767
					Building rubble, mixed; Reinforced concrete; Natural stone, medium-hard; Natural stone, hard; Asphalt; Gravel	0 - 500	0	500	Yes	for 4-piece rotor	4 pcs.	2642126



BLOW BARS												
Series code	Serial code	Series range	Part	Version	Application	Maximum feed size	Maximum feed size from	Maximum feed size up to	Material with non-crushable content	Rotor	Package includes	Part no.
MR 110 i EVO2	K019	1 - 9999	Set of C-TRO-N.Mn blow bars	Manganese steel	Soft natural stone	0 - 700	0	700	Yes	for 4-piece rotor high/low	2 pcs.	2592682
				Manganese steel	Soft natural stone	0 - 700	0	700	Yes	for 3-piece rotor	3 pcs.	2592766
				Manganese steel	Soft natural stone	0 - 700	0	700	Yes	for 4-piece rotor	4 pcs.	2604514
			Set of Mart-Xtra blow bars	Martensitic ceramic (higher ceramic insert)	Building rubble, mixed; Reinforced concrete; Natural stone, medium-hard; Natural stone, hard; Asphalt; Gravel	0 - 500	0	500	Yes	for 4-piece rotor high/low	2 pcs.	2592791

## CRUSHING TOOLS FOR IMPACT CRUSHERS

BLOW BARS												
Series code	Serial code	Series range	Part	Version	Application	Maximum feed size	Maximum feed size from	Maximum feed size up to	Material with non-crushable content	Rotor	Package includes	Part no.
MR 110 i EVO2	K019	1 - 9999	Set of Mart-Xtra blow bars		Building rubble, mixed; Reinforced concrete; Natural stone, medium-hard; Natural stone, hard; Asphalt; Gravel	0 - 500	0	500	Yes	for 3-piece rotor	3 pcs.	2592795
					Building rubble, mixed; Reinforced concrete; Natural stone, medium-hard; Natural stone, hard; Asphalt; Gravel	0 - 700	0	700	Yes	for 4-piece rotor	4 pcs.	2604420



BLOW BARS												
Series code	Serial code	Series range	Part	Version	Application	Maximum feed size	Maximum feed size from	Maximum feed size up to	Material with non-crushable content	Rotor	Package includes	Part no.
MR 122i PRO	K031	1 - 9999	Set of CHROMPERT blow bars	Chrome steel - ceramic	Building rubble, mixed; Natural stone, medium-hard; Natural stone, hard; Asphalt; Gravel	0 - 300	0	300	No	for 4-piece rotor high/low	2 pcs.	2593910
				Chrome steel - ceramic	Building rubble, mixed; Natural stone, medium-hard; Natural stone, hard; Asphalt; Gravel	0 - 300	0	300	No	for 4-piece rotor	4 pcs.	2632169

# CRUSHING TOOLS FOR IMPACT CRUSHERS

BLOW BARS													
Series code	Serial code	Series range	Part	Version	Application	Maximum feed size	Maximum feed size from	Maximum feed size up to	Material with non-crushable content	Rotor	Package includes	Part no.	
MR 122i PRO	K031	1 - 9999	Set of Mart-Xtra blow bars		Martensitic ceramic (higher ceramic insert)	Building rubble, mixed; Reinforced concrete; Natural stone, medium-hard; Natural stone, hard; Asphalt; Gravel	0 - 500	0	500	Yes	for 4-piece rotor high/low	2 pcs.	2592865
					Martensitic ceramic (higher ceramic insert)	Building rubble, mixed; Reinforced concrete; Natural stone, medium-hard; Natural stone, hard; Asphalt; Gravel	0 - 700	0	700	Yes	for 4-piece rotor	4 pcs.	2604431





BLOW BARS												
Series code	Serial code	Series range	Part	Version	Application	Maximum feed size	Maximum feed size from	Maximum feed size up to	Material with non-crushable content	Rotor	Package includes	Part no.
MR 122i PRO	K031	1 - 9999	Set of X-TRO-N.M blow bars	Martensitic steel	Soft natural stone; Building rubble, mixed	0 - 700	0	700	Yes	for 4-piece rotor	4 pcs.	2604437
				Martensitic steel	Soft natural stone; Building rubble, mixed	0 - 700	0	700	Yes	for 4-piece rotor high/low	2 pcs.	2592848
			Set of X-TRO-N.MC+ blow bars	Martensitic ceramic (higher ceramic insert)	Building rubble, mixed; Reinforced concrete; Natural stone, medium-hard; Natural stone, hard; Asphalt; Gravel	0 - 500	0	500	Yes	for 4-piece rotor high/low	2 pcs.	2593900



# CRUSHING TOOLS FOR IMPACT CRUSHERS

BLOW BARS													
Series code	Serial code	Series range	Part	Version	Application	Maximum feed size	Maximum feed size from	Maximum feed size up to	Material with non-crushable content	Rotor	Package includes	Part no.	
MR 122i PRO	K031	1 - 9999	Set of X-TRON.MC+ blow bars		Martensitic ceramic (higher ceramic insert)	0 - 500	0	500	Yes	for 4-piece rotor	4 pcs.	2642135	
												Build- ing rubble, mixed; Rein- forced con- crete; Natural stone, me- dium-hard; Natural stone, hard; As- phalt; Gravel	
			Set of X-TRON.Mn blow bars		Manganese steel	Soft natural stone	0 - 700	0	700	Yes	for 4-piece rotor	4 pcs.	2604434
					Manganese steel	Soft natural stone	0 - 700	0	700	Yes	for 4-piece rotor high/low	2 pcs.	2592844



BLOW BARS												
Series code	Serial code	Series range	Part	Version	Application	Maximum feed size	Maximum feed size from	Maximum feed size up to	Material with non-crushable content	Rotor	Package includes	Part no.
MR 122 PRO	K062	1 - 9999	Set of CHROMPERT blow bars	Chrome steel - ceramic	Building rubble, mixed; Natural stone, medium-hard; Natural stone, hard; Asphalt; Gravel	0 - 300	0	300	No	for 4-piece rotor	4 pcs.	2632169
				Chrome steel - ceramic	Building rubble, mixed; Natural stone, medium-hard; Natural stone, hard; Asphalt; Gravel	0 - 300	0	300	No	for 4-piece rotor high/low	2 pcs.	2593910

# CRUSHING TOOLS FOR IMPACT CRUSHERS

BLOW BARS												
Series code	Serial code	Series range	Part	Version	Application	Maximum feed size	Maximum feed size from	Maximum feed size up to	Material with non-crushable content	Rotor	Package includes	Part no.
MR 122 PRO	K062	1 - 9999	Set of Mart-Xtra blow bars	Martensitic ceramic (higher ceramic insert)	Building rubble, mixed; Reinforced concrete; Natural stone, medium-hard; Natural stone, hard; Asphalt; Gravel	0 - 700	0	700	Yes	for 4-piece rotor	4 pcs.	2604431
				Martensitic ceramic (higher ceramic insert)	Building rubble, mixed; Reinforced concrete; Natural stone, medium-hard; Natural stone, hard; Asphalt; Gravel	0 - 500	0	500	Yes	for 4-piece rotor high/low	2 pcs.	2592865



BLOW BARS												
Series code	Serial code	Series range	Part	Version	Application	Maximum feed size	Maximum feed size from	Maximum feed size up to	Material with non-crushable content	Rotor	Package includes	Part no.
MR 122 PRO	K062	1 - 9999	Set of X-TRO-N.M blow bars	Martensitic steel	Soft natural stone; Building rubble, mixed	0 - 700	0	700	Yes	for 4-piece rotor	4 pcs.	2604437
				Martensitic steel	Soft natural stone; Building rubble, mixed	0 - 700	0	700	Yes	for 4-piece rotor high/low	2 pcs.	2592848
			Set of X-TRO-N.MC+ blow bars	Martensitic ceramic (higher ceramic insert)	Building rubble, mixed; Reinforced concrete; Natural stone, medium-hard; Natural stone, hard; Asphalt; Gravel	0 - 500	0	500	Yes	for 4-piece rotor	4 pcs.	2642135

# CRUSHING TOOLS FOR IMPACT CRUSHERS

BLOW BARS												
Series code	Serial code	Series range	Part	Version	Application	Maximum feed size	Maximum feed size from	Maximum feed size up to	Material with non-crushable content	Rotor	Package includes	Part no.
MR 122 PRO	K062	1 - 9999	Set of X-TRON.MC+ blow bars	Martensitic ceramic (higher ceramic insert)	Building rubble, mixed; Reinforced concrete; Natural stone, medium-hard; Natural stone, hard; Asphalt; Gravel	0 - 500	0	500	Yes	for 4-piece rotor high/low	2 pcs.	2593900
						Set of X-TRON.Mn blow bars	Manganese steel	Soft natural stone	0 - 700	0	700	Yes
			Set of X-TRON.Mn blow bars	Manganese steel	Soft natural stone	0 - 700	0	700	Yes	for 4-piece rotor	4 pcs.	2604434



BLOW BARS												
Series code	Serial code	Series range	Part	Version	Application	Maximum feed size	Maximum feed size from	Maximum feed size up to	Material with non-crushable content	Rotor	Package includes	Part no.
MR 130 R	K023	1 - 199	Set of CHROMPERT blow bars	Chrome steel - ceramic	Building rubble, mixed; Natural stone, medium-hard; Natural stone, hard; Asphalt; Gravel	0 - 300	0	300	No	for 4-piece rotor	4 pcs.	2604457
				Chrome steel - ceramic	Building rubble, mixed; Natural stone, medium-hard; Natural stone, hard; Asphalt; Gravel	0 - 300	0	300	No	for 4-piece rotor high/low	2 pcs.	2592989

# CRUSHING TOOLS FOR IMPACT CRUSHERS

BLOW BARS												
Series code	Serial code	Series range	Part	Version	Application	Maximum feed size	Maximum feed size from	Maximum feed size up to	Material with non-crushable content	Rotor	Package includes	Part no.
MR 130 R	K023	1 - 199	Set of CHR-OMX-PERT blow bars	Chrome steel - ceramic	Building rubble, mixed; Natural stone, medium-hard; Natural stone, hard; Asphalt; Gravel	0 - 300	0	300	No	for 3-piece rotor	3 pcs.	2592991
			Set of Mart-Xtra blow bars	Martensitic ceramic (higher ceramic insert)	Building rubble, mixed; Reinforced concrete; Natural stone, medium-hard; Natural stone, hard; Asphalt; Gravel	0 - 500	0	500	Yes	for 3-piece rotor	3 pcs.	2592937





BLOW BARS												
Series code	Serial code	Series range	Part	Version	Application	Maximum feed size	Maximum feed size from	Maximum feed size up to	Material with non-crushable content	Rotor	Package includes	Part no.
MR 130 R	K023	1 - 199	Set of Mart-Xtra blow bars		Building rubble, mixed; Reinforced concrete; Natural stone, medium-hard; Natural stone, hard; Asphalt; Gravel	0 - 500	0	500	Yes	for 4-piece rotor high/low	2 pcs.	2592936
					Building rubble, mixed; Reinforced concrete; Natural stone, medium-hard; Natural stone, hard; Asphalt; Gravel	0 - 700	0	700	Yes	for 4-piece rotor	4 pcs.	2605041



# CRUSHING TOOLS FOR IMPACT CRUSHERS

BLOW BARS												
Series code	Serial code	Series range	Part	Version	Application	Maximum feed size	Maximum feed size from	Maximum feed size up to	Material with non-crushable content	Rotor	Package includes	Part no.
MR 130 R	K023	1 - 199	Set of S-TRO-N.C blow bars	Chrome steel	Building rubble, mixed; Natural stone, medium-hard; Reinforced concrete; Natural stone, hard; Asphalt	0 - 400	0	400	No	for 4-piece rotor high/low	2 pcs.	2592941
				Chrome steel	Building rubble, mixed; Natural stone, medium-hard; Reinforced concrete; Natural stone, hard; Asphalt	0 - 400	0	400	No	for 3-piece rotor	3 pcs.	2592948



BLOW BARS												
Series code	Serial code	Series range	Part	Version	Application	Maximum feed size	Maximum feed size from	Maximum feed size up to	Material with non-crushable content	Rotor	Package includes	Part no.
MR 130 R	K023	1 - 199	Set of S-TRO-N.C blow bars	Chrome steel	Building rubble, mixed; Natural stone, medium-hard; Reinforced concrete; Natural stone, hard; Asphalt	0 - 400	0	400	No	for 4-piece rotor	4 pcs.	2604350
			Set of S-TRO-N.CC blow bars	Chrome steel - ceramic	Building rubble, mixed; Natural stone, medium-hard; Natural stone, hard; Asphalt; Gravel	0 - 300	0	300	No	for 4-piece rotor	4 pcs.	2605037

# CRUSHING TOOLS FOR IMPACT CRUSHERS

BLOW BARS												
Series code	Serial code	Series range	Part	Version	Application	Maximum feed size	Maximum feed size from	Maximum feed size up to	Material with non-crushable content	Rotor	Package includes	Part no.
MR 130 R	K023	1 - 199	Set of S-TRO-N.CC blow bars	Chrome steel - ceramic	Building rubble, mixed; Natural stone, medium-hard; Natural stone, hard; Asphalt; Gravel	0 - 300	0	300	No	for 4-piece rotor high/low	2 pcs.	2592949
				Chrome steel - ceramic	Building rubble, mixed; Natural stone, medium-hard; Natural stone, hard; Asphalt; Gravel	0 - 300	0	300	No	for 3-piece rotor	3 pcs.	2592988
			Set of S-TRO-N.M blow bars	Martensitic steel	Soft natural stone; Building rubble, mixed	0 - 700	0	700	Yes	for 4-piece rotor	4 pcs.	2604445



BLOW BARS												
Series code	Serial code	Series range	Part	Version	Application	Maximum feed size	Maximum feed size from	Maximum feed size up to	Material with non-crushable content	Rotor	Package includes	Part no.
MR 130 R	K023	1 - 199	Set of S-TRO-N.M blow bars	Martensitic steel	Soft natural stone; Building rubble, mixed	0 - 700	0	700	Yes	for 4-piece rotor high/low	2 pcs.	2592897
				Martensitic steel	Soft natural stone; Building rubble, mixed	0 - 700	0	700	Yes	for 3-piece rotor	3 pcs.	2592906
			Set of S-TRO-N.MC+ blow bars	Martensitic ceramic (higher ceramic insert)	Building rubble, mixed; Reinforced concrete; Natural stone, medium-hard; Natural stone, hard; Asphalt; Gravel	0 - 500	0	500	Yes	for 4-piece rotor high/low	2 pcs.	2886637

# CRUSHING TOOLS FOR IMPACT CRUSHERS

BLOW BARS												
Series code	Serial code	Series range	Part	Version	Application	Maximum feed size	Maximum feed size from	Maximum feed size up to	Material with non-crushable content	Rotor	Package includes	Part no.
MR 130 R	K023	1 - 199	Set of S-TRO-N.Mn blow bars	Manganese steel	Soft natural stone	0 - 700	0	700	Yes	for 4-piece rotor	4 pcs.	2604447
				Manganese steel	Soft natural stone	0 - 700	0	700	Yes	for 4-piece rotor high/low	2 pcs.	2592876
				Manganese steel	Soft natural stone	0 - 700	0	700	Yes	for 3-piece rotor	3 pcs.	2592884
MR 130 R EVO	K023	200 - 9999	Set of CHROMPERT blow bars	Chrome steel - ceramic	Building rubble, mixed; Natural stone, medium-hard; Natural stone, hard; Asphalt; Gravel	0 - 300	0	300	No	for 4-piece rotor	4 pcs.	2604430



BLOW BARS												
Series code	Serial code	Series range	Part	Version	Application	Maximum feed size	Maximum feed size from	Maximum feed size up to	Material with non-crushable content	Rotor	Package includes	Part no.
MR 130 R EVO	K023	200 - 9999	Set of CHR-OMX-PERT blow bars	Chrome steel - ceramic	Building rubble, mixed; Natural stone, medium-hard; Natural stone, hard; Asphalt; Gravel	0 - 300	0	300	No	for 4-piece rotor high/low	2 pcs.	2593030
			Set of C-TRO-N.C blow bars	Chrome steel	Building rubble, mixed; Natural stone, medium-hard; Reinforced concrete; Natural stone, hard; Asphalt	0 - 400	0	400	No	for 4-piece rotor	4 pcs.	2604366



# CRUSHING TOOLS FOR IMPACT CRUSHERS

BLOW BARS												
Series code	Serial code	Series range	Part	Version	Application	Maximum feed size	Maximum feed size from	Maximum feed size up to	Material with non-crushable content	Rotor	Package includes	Part no.
MR 130 R EVO	K023	200 - 9999	Set of C-TRO-N.C blow bars	Chrome steel	Building rubble, mixed; Natural stone, medium-hard; Reinforced concrete; Natural stone, hard; Asphalt	0 - 400	0	400	No	for 4-piece rotor high/low	2 pcs.	2593023
			Set of C-TRO-N.CC blow bars	Chrome steel - ceramic	Building rubble, mixed; Natural stone, medium-hard; Natural stone, hard; Asphalt; Gravel	0 - 300	0	300	No	for 4-piece rotor high/low	2 pcs.	2593029





BLOW BARS												
Series code	Serial code	Series range	Part	Version	Application	Maximum feed size	Maximum feed size from	Maximum feed size up to	Material with non-crushable content	Rotor	Package includes	Part no.
MR 130 R EVO	K023	200 - 9999	Set of C-TRO-N.CC blow bars	Chrome steel - ceramic	Building rubble, mixed; Natural stone, medium-hard; Natural stone, hard; Asphalt; Gravel	0 - 300	0	300	No	for 4-piece rotor	4 pcs.	2604356
			Set of C-TRO-N.M blow bars	Martensitic steel	Soft natural stone; Building rubble, mixed	0 - 700	0	700	Yes	for 4-piece rotor high/low	2 pcs.	2593014
				Martensitic steel	Soft natural stone; Building rubble, mixed	0 - 700	0	700	Yes	for 4-piece rotor	4 pcs.	2604466

# CRUSHING TOOLS FOR IMPACT CRUSHERS

BLOW BARS												
Series code	Serial code	Series range	Part	Version	Application	Maximum feed size	Maximum feed size from	Maximum feed size up to	Material with non-crushable content	Rotor	Package includes	Part no.
MR 130 R EVO	K023	200 - 9999	Set of C-TRON. MC+ blow bars	Martensitic ceramic (higher ceramic insert)	Building rubble, mixed; Reinforced concrete; Natural stone, medium-hard; Natural stone, hard; Asphalt; Gravel	0 - 500	0	500	Yes	for 4-piece rotor	4 pcs.	2642118
				Martensitic ceramic (higher ceramic insert)	Building rubble, mixed; Reinforced concrete; Natural stone, medium-hard; Natural stone, hard; Asphalt; Gravel	0 - 700	0	700	Yes	for 4-piece rotor high/low	2 pcs.	2593945



BLOW BARS												
Series code	Serial code	Series range	Part	Version	Application	Maximum feed size	Maximum feed size from	Maximum feed size up to	Material with non-crushable content	Rotor	Package includes	Part no.
MR 130 R EVO	K023	200 - 9999	Set of C-TRO-N.Mn blow bars	Manganese steel	Soft natural stone	0 - 700	0	700	Yes	for 4-piece rotor high/low	2 pcs.	2593010
				Manganese steel	Soft natural stone	0 - 700	0	700	Yes	for 4-piece rotor	4 pcs.	2604522
			Set of Mart-Xtra blow bars	Martensitic ceramic (higher ceramic insert)	Building rubble, mixed; Reinforced concrete; Natural stone, medium-hard; Natural stone, hard; Asphalt; Gravel	0 - 500	0	500	Yes	for 4-piece rotor high/low	2 pcs.	2593021



# CRUSHING TOOLS FOR IMPACT CRUSHERS

BLOW BARS												
Series code	Serial code	Series range	Part	Version	Application	Maximum feed size	Maximum feed size from	Maximum feed size up to	Material with non-crushable content	Rotor	Package includes	Part no.
MR 130 R EVO	K023	200 - 9999	Set of Mart-Xtra blow bars	Martensitic ceramic (higher ceramic insert)	Building rubble, mixed; Reinforced concrete; Natural stone, medium-hard; Natural stone, hard; Asphalt; Gravel	0 - 700	0	700	Yes	for 4-piece rotor	4 pcs.	2604428
MR 130 Z	K024	1 - 299	Set of CHROMXPERT blow bars	Chrome steel - ceramic	Building rubble, mixed; Natural stone, medium-hard; Natural stone, hard; Asphalt; Gravel	0 - 300	0	300	No	for 4-piece rotor	4 pcs.	2604457



BLOW BARS												
Series code	Serial code	Series range	Part	Version	Application	Maximum feed size	Maximum feed size from	Maximum feed size up to	Material with non-crushable content	Rotor	Package includes	Part no.
MR 130 Z	K024	1 - 299	Set of CHROMPERT blow bars	Chrome steel - ceramic	Building rubble, mixed; Natural stone, medium-hard; Natural stone, hard; Asphalt; Gravel	0 - 300	0	300	No	for 4-piece rotor high/low	2 pcs.	2592989
				Chrome steel - ceramic	Building rubble, mixed; Natural stone, medium-hard; Natural stone, hard; Asphalt; Gravel	0 - 300	0	300	No	for 3-piece rotor	3 pcs.	2592991

# CRUSHING TOOLS FOR IMPACT CRUSHERS

BLOW BARS												
Series code	Serial code	Series range	Part	Version	Application	Maximum feed size	Maximum feed size from	Maximum feed size up to	Material with non-crushable content	Rotor	Package includes	Part no.
MR 130 Z	K024	1 - 299	Set of Mart-Xtra blow bars		Building rubble, mixed; Reinforced concrete; Natural stone, medium-hard; Natural stone, hard; Asphalt; Gravel	0 - 700	0	700	Yes	for 4-piece rotor	4 pcs.	2605041
					Building rubble, mixed; Reinforced concrete; Natural stone, medium-hard; Natural stone, hard; Asphalt; Gravel	0 - 500	0	500	Yes	for 3-piece rotor	3 pcs.	2592937



BLOW BARS												
Series code	Serial code	Series range	Part	Version	Application	Maximum feed size	Maximum feed size from	Maximum feed size up to	Material with non-crushable content	Rotor	Package includes	Part no.
MR 130 Z	K024	1 - 299	Set of Mart-Xtra blow bars	Martensitic ceramic (higher ceramic insert)	Building rubble, mixed; Reinforced concrete; Natural stone, medium-hard; Natural stone, hard; Asphalt; Gravel	0 - 500	0	500	Yes	for 4-piece rotor high/low	2 pcs.	2592936
			Set of S-TRO-N.C blow bars	Chrome steel	Building rubble, mixed; Natural stone, medium-hard; Reinforced concrete; Natural stone, hard; Asphalt	0 - 400	0	400	No	for 4-piece rotor high/low	2 pcs.	2592941

# CRUSHING TOOLS FOR IMPACT CRUSHERS

BLOW BARS												
Series code	Serial code	Series range	Part	Version	Application	Maximum feed size	Maximum feed size from	Maximum feed size up to	Material with non-crushable content	Rotor	Package includes	Part no.
MR 130 Z	K024	1 - 299	Set of S-TRO-N.C blow bars	Chrome steel	Building rubble, mixed; Natural stone, medium-hard; Reinforced concrete; Natural stone, hard; Asphalt	0 - 400	0	400	No	for 3-piece rotor	3 pcs.	2592948
				Chrome steel	Building rubble, mixed; Natural stone, medium-hard; Reinforced concrete; Natural stone, hard; Asphalt	0 - 400	0	400	No	for 4-piece rotor	4 pcs.	2604350





BLOW BARS												
Series code	Serial code	Series range	Part	Version	Application	Maximum feed size	Maximum feed size from	Maximum feed size up to	Material with non-crushable content	Rotor	Package includes	Part no.
MR 130 Z	K024	1 - 299	Set of S-TRO-N.CC blow bars	Chrome steel - ceramic	Building rubble, mixed; Natural stone, medium-hard; Natural stone, hard; Asphalt; Gravel	0 - 300	0	300	No	for 4-piece rotor high/low	2 pcs.	2592949
				Chrome steel - ceramic	Building rubble, mixed; Natural stone, medium-hard; Natural stone, hard; Asphalt; Gravel	0 - 300	0	300	No	for 4-piece rotor	4 pcs.	2605037

# CRUSHING TOOLS FOR IMPACT CRUSHERS

BLOW BARS												
Series code	Serial code	Series range	Part	Version	Application	Maximum feed size	Maximum feed size from	Maximum feed size up to	Material with non-crushable content	Rotor	Package includes	Part no.
MR 130 Z	K024	1 - 299	Set of S-TRO-N.CC blow bars	Chrome steel - ceramic	Building rubble, mixed; Natural stone, medium-hard; Natural stone, hard; Asphalt; Gravel	0 - 300	0	300	No	for 3-piece rotor	3 pcs.	2592988
					Soft natural stone; Building rubble, mixed	0 - 700	0	700	Yes	for 4-piece rotor	4 pcs.	2604445
			Set of S-TRO-N.M blow bars	Martensitic steel	Soft natural stone; Building rubble, mixed	0 - 700	0	700	Yes	for 4-piece rotor high/low	2 pcs.	2592897
					Soft natural stone; Building rubble, mixed	0 - 700	0	700	Yes	for 3-piece rotor	3 pcs.	2592906



BLOW BARS													
Series code	Serial code	Series range	Part	Version	Application	Maximum feed size	Maximum feed size from	Maximum feed size up to	Material with non-crushable content	Rotor	Package includes	Part no.	
MR 130 Z	K024	1 - 299	Set of S-TRON.MC+ blow bars		Martensitic ceramic (higher ceramic insert)	Building rubble, mixed; Reinforced concrete; Natural stone, medium-hard; Natural stone, hard; Asphalt; Gravel	0 - 500	0	500	Yes	for 4-piece rotor high/low	2 pcs.	2886637
				Manganese steel	Soft natural stone	0 - 700	0	700	Yes	for 4-piece rotor high/low	2 pcs.	2592876	

# CRUSHING TOOLS FOR IMPACT CRUSHERS

BLOW BARS												
Series code	Serial code	Series range	Part	Version	Application	Maximum feed size	Maximum feed size from	Maximum feed size up to	Material with non-crushable content	Rotor	Package includes	Part no.
MR 130 Z EVO	K024	301 - 9999	Set of CHROMPERT blow bars	Chrome steel - ceramic	Building rubble, mixed; Natural stone, medium-hard; Natural stone, hard; Asphalt; Gravel	0 - 300	0	300	No	for 4-piece rotor	4 pcs.	2604430
				Chrome steel - ceramic	Building rubble, mixed; Natural stone, medium-hard; Natural stone, hard; Asphalt; Gravel	0 - 300	0	300	No	for 4-piece rotor high/low	2 pcs.	2593030



BLOW BARS												
Series code	Serial code	Series range	Part	Version	Application	Maximum feed size	Maximum feed size from	Maximum feed size up to	Material with non-crushable content	Rotor	Package includes	Part no.
MR 130 Z EVO	K024	301 - 9999	Set of C-TRO-N.C blow bars	Chrome steel	Building rubble, mixed; Natural stone, medium-hard; Reinforced concrete; Natural stone, hard; Asphalt	0 - 400	0	400	No	for 4-piece rotor	4 pcs.	2604366
				Chrome steel	Building rubble, mixed; Natural stone, medium-hard; Reinforced concrete; Natural stone, hard; Asphalt	0 - 400	0	400	No	for 4-piece rotor high/low	2 pcs.	2593023

# CRUSHING TOOLS FOR IMPACT CRUSHERS

BLOW BARS												
Series code	Serial code	Series range	Part	Version	Application	Maximum feed size	Maximum feed size from	Maximum feed size up to	Material with non-crushable content	Rotor	Package includes	Part no.
MR 130 Z EVO	K024	301 - 9999	Set of C-TRO-N.CC blow bars	Chrome steel - ceramic	Building rubble, mixed; Natural stone, medium-hard; Natural stone, hard; Asphalt; Gravel	0 - 300	0	300	No	for 4-piece rotor high/low	2 pcs.	2593029
				Chrome steel - ceramic	Building rubble, mixed; Natural stone, medium-hard; Natural stone, hard; Asphalt; Gravel	0 - 300	0	300	No	for 4-piece rotor	4 pcs.	2604356
			Set of C-TRO-N.M blow bars	Martensitic steel	Soft natural stone; Building rubble, mixed	0 - 700	0	700	Yes	for 4-piece rotor high/low	2 pcs.	2593014



BLOW BARS												
Series code	Serial code	Series range	Part	Version	Application	Maximum feed size	Maximum feed size from	Maximum feed size up to	Material with non-crushable content	Rotor	Package includes	Part no.
MR 130 Z EVO	K024	301 - 9999	Set of C-TRO-N.M blow bars	Martensitic steel	Soft natural stone; Building rubble, mixed	0 - 700	0	700	Yes	for 4-piece rotor	4 pcs.	2604466
			Set of C-TRO-N.MC+ blow bars	Martensitic ceramic (higher ceramic insert)	Building rubble, mixed; Reinforced concrete; Natural stone, medium-hard; Natural stone, hard; Asphalt; Gravel	0 - 500	0	500	Yes	for 4-piece rotor	4 pcs.	2642118



## CRUSHING TOOLS FOR IMPACT CRUSHERS

BLOW BARS												
Series code	Serial code	Series range	Part	Version	Application	Maximum feed size	Maximum feed size from	Maximum feed size up to	Material with non-crushable content	Rotor	Package includes	Part no.
MR 130 Z EVO	K024	301 - 9999	Set of C-TRO-N. MC+ blow bars	Martensitic ceramic (higher ceramic insert)	Building rubble, mixed; Reinforced concrete; Natural stone, medium-hard; Natural stone, hard; Asphalt; Gravel	0 - 700	0	700	Yes	for 4-piece rotor high/low	2 pcs.	2593945
						Set of C-TRO-N.Mn blow bars	Manganese steel	Soft natural stone	0 - 700	0	700	Yes
			Set of C-TRO-N.Mn blow bars	Manganese steel	Soft natural stone	0 - 700	0	700	Yes	for 4-piece rotor	4 pcs.	2604522





BLOW BARS												
Series code	Serial code	Series range	Part	Version	Application	Maximum feed size	Maximum feed size from	Maximum feed size up to	Material with non-crushable content	Rotor	Package includes	Part no.
MR 130 Z EVO	K024	301 - 9999	Set of Mart-Xtra blow bars		Martensitic ceramic (higher ceramic insert)	0 - 500	0	500	Yes	for 4-piece rotor high/low	2 pcs.	2593021
					Martensitic ceramic (higher ceramic insert)	0 - 700	0	700	Yes	for 4-piece rotor	4 pcs.	2604428



# CRUSHING TOOLS FOR IMPACT CRUSHERS

BLOW BARS												
Series code	Serial code	Series range	Part	Version	Application	Maximum feed size	Maximum feed size from	Maximum feed size up to	Material with non-crushable content	Rotor	Package includes	Part no.
MR 130 EVO2	K077	1 - 9999	Set of CHROMPERT blow bars	Chrome steel - ceramic	Building rubble, mixed; Natural stone, medium-hard; Natural stone, hard; Asphalt; Gravel	0 - 300	0	300	No	for 4-piece rotor	4 pcs.	2604430
				Chrome steel - ceramic	Building rubble, mixed; Natural stone, medium-hard; Natural stone, hard; Asphalt; Gravel	0 - 300	0	300	No	for 4-piece rotor high/low	2 pcs.	2593030



BLOW BARS												
Series code	Serial code	Series range	Part	Version	Application	Maximum feed size	Maximum feed size from	Maximum feed size up to	Material with non-crushable content	Rotor	Package includes	Part no.
MR 130 EVO2	K077	1 - 9999	Set of C-TRO-N.C blow bars	Chrome steel	Building rubble, mixed; Natural stone, medium-hard; Reinforced concrete; Natural stone, hard; Asphalt	0 - 400	0	400	No	for 4-piece rotor	4 pcs.	2604366
				Chrome steel	Building rubble, mixed; Natural stone, medium-hard; Reinforced concrete; Natural stone, hard; Asphalt	0 - 400	0	400	No	for 4-piece rotor high/low	2 pcs.	2593023

# CRUSHING TOOLS FOR IMPACT CRUSHERS

BLOW BARS												
Series code	Serial code	Series range	Part	Version	Application	Maximum feed size	Maximum feed size from	Maximum feed size up to	Material with non-crushable content	Rotor	Package includes	Part no.
MR 130 EVO2	K077	1 - 9999	Set of C-TRO-N.CC blow bars	Chrome steel - ceramic	Building rubble, mixed; Natural stone, medium-hard; Natural stone, hard; Asphalt; Gravel	0 - 300	0	300	No	for 4-piece rotor	4 pcs.	2604356
				Chrome steel - ceramic	Building rubble, mixed; Natural stone, medium-hard; Natural stone, hard; Asphalt; Gravel	0 - 300	0	300	No	for 4-piece rotor high/low	2 pcs.	2593029
			Set of C-TRO-N.M blow bars	Martensitic steel	Soft natural stone; Building rubble, mixed	0 - 700	0	700	Yes	for 4-piece rotor high/low	2 pcs.	2593014



BLOW BARS												
Series code	Serial code	Series range	Part	Version	Application	Maximum feed size	Maximum feed size from	Maximum feed size up to	Material with non-crushable content	Rotor	Package includes	Part no.
MR 130 EVO2	K077	1 - 9999	Set of C-TRO-N.M blow bars	Martensitic steel	Soft natural stone; Building rubble, mixed	0 - 700	0	700	Yes	for 4-piece rotor	4 pcs.	2604466
			Set of C-TRO-N.MC+ blow bars	Martensitic ceramic (higher ceramic insert)	Building rubble, mixed; Reinforced concrete; Natural stone, medium-hard; Natural stone, hard; Asphalt; Gravel	0 - 500	0	500	Yes	for 4-piece rotor	4 pcs.	2642118



# CRUSHING TOOLS FOR IMPACT CRUSHERS

BLOW BARS												
Series code	Serial code	Series range	Part	Version	Application	Maximum feed size	Maximum feed size from	Maximum feed size up to	Material with non-crushable content	Rotor	Package includes	Part no.
MR 130 EVO2	K077	1 - 9999	Set of C-TRO-N. MC+ blow bars	Martensitic ceramic (higher ceramic insert)	Building rubble, mixed; Reinforced concrete; Natural stone, medium-hard; Natural stone, hard; Asphalt; Gravel	0 - 700	0	700	Yes	for 4-piece rotor high/low	2 pcs.	2593945
						Set of C-TRO-N.Mn blow bars	Manganese steel	Soft natural stone	0 - 700	0	700	Yes
			Set of C-TRO-N.Mn blow bars	Manganese steel	Soft natural stone	0 - 700	0	700	Yes	for 4-piece rotor	4 pcs.	2604522



BLOW BARS												
Series code	Serial code	Series range	Part	Version	Application	Maximum feed size	Maximum feed size from	Maximum feed size up to	Material with non-crushable content	Rotor	Package includes	Part no.
MR 130 EVO2	K077	1 - 9999	Set of Mart-Xtra blow bars		Building rubble, mixed; Reinforced concrete; Natural stone, medium-hard; Natural stone, hard; Asphalt; Gravel	0 - 500	0	500	Yes	for 4-piece rotor high/low	2 pcs.	2593021
					Building rubble, mixed; Reinforced concrete; Natural stone, medium-hard; Natural stone, hard; Asphalt; Gravel	0 - 700	0	700	Yes	for 4-piece rotor	4 pcs.	2604428



# CRUSHING TOOLS FOR IMPACT CRUSHERS

BLOW BARS												
Series code	Serial code	Series range	Part	Version	Application	Maximum feed size	Maximum feed size from	Maximum feed size up to	Material with non-crushable content	Rotor	Package includes	Part no.
MR 130i EVO2	K078	1 - 9999	Set of CHROMPERT blow bars	Chrome steel - ceramic	Building rubble, mixed; Natural stone, medium-hard; Natural stone, hard; Asphalt; Gravel	0 - 300	0	300	No	for 4-piece rotor high/low	2 pcs.	2593030
				Chrome steel - ceramic	Building rubble, mixed; Natural stone, medium-hard; Natural stone, hard; Asphalt; Gravel	0 - 300	0	300	No	for 4-piece rotor	4 pcs.	2604430





BLOW BARS												
Series code	Serial code	Series range	Part	Version	Application	Maximum feed size	Maximum feed size from	Maximum feed size up to	Material with non-crushable content	Rotor	Package includes	Part no.
MR 130i EVO2	K078	1 - 9999	Set of C-TRO-N.C blow bars	Chrome steel	Building rubble, mixed; Natural stone, medium-hard; Reinforced concrete; Natural stone, hard; Asphalt	0 - 400	0	400	No	for 4-piece rotor high/low	2 pcs.	2593023
				Chrome steel	Building rubble, mixed; Natural stone, medium-hard; Reinforced concrete; Natural stone, hard; Asphalt	0 - 400	0	400	No	for 4-piece rotor	4 pcs.	2604366

# CRUSHING TOOLS FOR IMPACT CRUSHERS

BLOW BARS												
Series code	Serial code	Series range	Part	Version	Application	Maximum feed size	Maximum feed size from	Maximum feed size up to	Material with non-crushable content	Rotor	Package includes	Part no.
MR 130i EVO2	K078	1 - 9999	Set of C-TRO-N.CC blow bars	Chrome steel - ceramic	Building rubble, mixed; Natural stone, medium-hard; Natural stone, hard; Asphalt; Gravel	0 - 300	0	300	No	for 4-piece rotor high/low	2 pcs.	2593029
				Chrome steel - ceramic	Building rubble, mixed; Natural stone, medium-hard; Natural stone, hard; Asphalt; Gravel	0 - 300	0	300	No	for 4-piece rotor	4 pcs.	2604356
			Set of C-TRO-N.M blow bars	Martensitic steel	Soft natural stone; Building rubble, mixed	0 - 700	0	700	Yes	for 4-piece rotor high/low	2 pcs.	2593014



BLOW BARS												
Series code	Serial code	Series range	Part	Version	Application	Maximum feed size	Maximum feed size from	Maximum feed size up to	Material with non-crushable content	Rotor	Package includes	Part no.
MR 130i EVO2	K078	1 - 9999	Set of C-TRO-N.M blow bars	Martensitic steel	Soft natural stone; Building rubble, mixed	0 - 700	0	700	Yes	for 4-piece rotor	4 pcs.	2604466
			Set of C-TRO-N.MC+ blow bars	Martensitic ceramic (higher ceramic insert)	Building rubble, mixed; Reinforced concrete; Natural stone, medium-hard; Natural stone, hard; Asphalt; Gravel	0 - 500	0	500	Yes	for 4-piece rotor	4 pcs.	2642118



## CRUSHING TOOLS FOR IMPACT CRUSHERS

BLOW BARS												
Series code	Serial code	Series range	Part	Version	Application	Maximum feed size	Maximum feed size from	Maximum feed size up to	Material with non-crushable content	Rotor	Package includes	Part no.
MR 130i EVO2	K078	1 - 9999	Set of C-TRO-N. MC+ blow bars	Martensitic ceramic (higher ceramic insert)	Building rubble, mixed; Reinforced concrete; Natural stone, medium-hard; Natural stone, hard; Asphalt; Gravel	0 - 700	0	700	Yes	for 4-piece rotor high/low	2 pcs.	2593945
						Set of C-TRO-N.Mn blow bars	Manganese steel	Soft natural stone	0 - 700	0	700	Yes
			Set of C-TRO-N.Mn blow bars	Manganese steel	Soft natural stone	0 - 700	0	700	Yes	for 4-piece rotor	4 pcs.	2604522



BLOW BARS												
Series code	Serial code	Series range	Part	Version	Application	Maximum feed size	Maximum feed size from	Maximum feed size up to	Material with non-crushable content	Rotor	Package includes	Part no.
MR 130i EVO2	K078	1 - 9999	Set of Mart-Xtra blow bars		Build- ing rubble, mixed; Rein- forced con- crete; Natu- ral stone, me- dium- hard; Natu- ral stone, hard; As- phalt; Gravel	0 - 500	0	500	Yes	for 4- piece rotor high/ low	2 pcs.	2593021
					Build- ing rubble, mixed; Rein- forced con- crete; Natu- ral stone, me- dium- hard; Natu- ral stone, hard; As- phalt; Gravel	0 - 700	0	700	Yes	for 4- piece rotor	4 pcs.	2604428



# CRUSHING TOOLS FOR IMPACT CRUSHERS

BLOW BARS												
Series code	Serial code	Series range	Part	Version	Application	Maximum feed size	Maximum feed size from	Maximum feed size up to	Material with non-crushable content	Rotor	Package includes	Part no.
MR 130 PRO	K124	1 - 9999	Set of CHROMPERT blow bars	Chrome steel - ceramic	Building rubble, mixed; Natural stone, medium-hard; Natural stone, hard; Asphalt; Gravel	0 - 300	0	300	No	for 4-piece rotor	4 pcs.	2604430
				Chrome steel - ceramic	Building rubble, mixed; Natural stone, medium-hard; Natural stone, hard; Asphalt; Gravel	0 - 300	0	300	No	for 4-piece rotor high/low	2 pcs.	2593030



BLOW BARS												
Series code	Serial code	Series range	Part	Version	Application	Maximum feed size	Maximum feed size from	Maximum feed size up to	Material with non-crushable content	Rotor	Package includes	Part no.
MR 130 PRO	K124	1 - 9999	Set of C-TRO-N.C blow bars	Chrome steel	Building rubble, mixed; Natural stone, medium-hard; Reinforced concrete; Natural stone, hard; Asphalt	0 - 400	0	400	No	for 4-piece rotor	4 pcs.	2604366
				Chrome steel	Building rubble, mixed; Natural stone, medium-hard; Reinforced concrete; Natural stone, hard; Asphalt	0 - 400	0	400	No	for 4-piece rotor high/low	2 pcs.	2593023

# CRUSHING TOOLS FOR IMPACT CRUSHERS

BLOW BARS												
Series code	Serial code	Series range	Part	Version	Application	Maximum feed size	Maximum feed size from	Maximum feed size up to	Material with non-crushable content	Rotor	Package includes	Part no.
MR 130 PRO	K124	1 - 9999	Set of C-TRO-N.CC blow bars	Chrome steel - ceramic	Building rubble, mixed; Natural stone, medium-hard; Natural stone, hard; Asphalt; Gravel	0 - 300	0	300	No	for 4-piece rotor high/low	2 pcs.	2593029
				Chrome steel - ceramic	Building rubble, mixed; Natural stone, medium-hard; Natural stone, hard; Asphalt; Gravel	0 - 300	0	300	No	for 4-piece rotor	4 pcs.	2604356
			Set of C-TRO-N.M blow bars	Martensitic steel	Soft natural stone; Building rubble, mixed	0 - 700	0	700	Yes	for 4-piece rotor	4 pcs.	2604466





BLOW BARS												
Series code	Serial code	Series range	Part	Version	Application	Maximum feed size	Maximum feed size from	Maximum feed size up to	Material with non-crushable content	Rotor	Package includes	Part no.
MR 130 PRO	K124	1 - 9999	Set of C-TRO-N.M blow bars	Martensitic steel	Soft natural stone; Building rubble, mixed	0 - 700	0	700	Yes	for 4-piece rotor high/low	2 pcs.	2593014
			Set of C-TRO-N.MC+ blow bars	Martensitic ceramic (higher ceramic insert)	Building rubble, mixed; Reinforced concrete; Natural stone, medium-hard; Natural stone, hard; Asphalt; Gravel	0 - 500	0	500	Yes	for 4-piece rotor	4 pcs.	2642118



# CRUSHING TOOLS FOR IMPACT CRUSHERS

BLOW BARS												
Series code	Serial code	Series range	Part	Version	Application	Maximum feed size	Maximum feed size from	Maximum feed size up to	Material with non-crushable content	Rotor	Package includes	Part no.
MR 130 PRO	K124	1 - 9999	Set of C-TRO-N. MC+ blow bars	Martensitic ceramic (higher ceramic insert)	Building rubble, mixed; Reinforced concrete; Natural stone, medium-hard; Natural stone, hard; Asphalt; Gravel	0 - 700	0	700	Yes	for 4-piece rotor high/low	2 pcs.	2593945
												2593010
			Set of C-TRO-N.Mn blow bars	Manganese steel	Soft natural stone	0 - 700	0	700	Yes	for 4-piece rotor high/low	2 pcs.	2593010
				Manganese steel	Soft natural stone	0 - 700	0	700	Yes	for 4-piece rotor	4 pcs.	2604522



BLOW BARS												
Series code	Serial code	Series range	Part	Version	Application	Maximum feed size	Maximum feed size from	Maximum feed size up to	Material with non-crushable content	Rotor	Package includes	Part no.
MR 130 PRO	K124	1 - 9999	Set of Mart-Xtra blow bars		Building rubble, mixed; Reinforced concrete; Natural stone, medium-hard; Natural stone, hard; Asphalt; Gravel	0 - 500	0	500	Yes	for 4-piece rotor high/low	2 pcs.	2593021
					Building rubble, mixed; Reinforced concrete; Natural stone, medium-hard; Natural stone, hard; Asphalt; Gravel	0 - 700	0	700	Yes	for 4-piece rotor	4 pcs.	2604428



# CRUSHING TOOLS FOR IMPACT CRUSHERS

BLOW BARS												
Series code	Serial code	Series range	Part	Version	Application	Maximum feed size	Maximum feed size from	Maximum feed size up to	Material with non-crushable content	Rotor	Package includes	Part no.
MR 130i PRO	K125	1 - 9999	Set of CHROMPERT blow bars	Chrome steel - ceramic	Building rubble, mixed; Natural stone, medium-hard; Natural stone, hard; Asphalt; Gravel	0 - 300	0	300	No	for 4-piece rotor high/low	2 pcs.	2593030
				Chrome steel - ceramic	Building rubble, mixed; Natural stone, medium-hard; Natural stone, hard; Asphalt; Gravel	0 - 300	0	300	No	for 4-piece rotor	4 pcs.	2604430



BLOW BARS												
Series code	Serial code	Series range	Part	Version	Application	Maximum feed size	Maximum feed size from	Maximum feed size up to	Material with non-crushable content	Rotor	Package includes	Part no.
MR 130i PRO	K125	1 - 9999	Set of C-TRO-N.C blow bars	Chrome steel	Building rubble, mixed; Natural stone, medium-hard; Reinforced concrete; Natural stone, hard; Asphalt	0 - 400	0	400	No	for 4-piece rotor high/low	2 pcs.	2593023
				Chrome steel	Building rubble, mixed; Natural stone, medium-hard; Reinforced concrete; Natural stone, hard; Asphalt	0 - 400	0	400	No	for 4-piece rotor	4 pcs.	2604366



# CRUSHING TOOLS FOR IMPACT CRUSHERS

BLOW BARS												
Series code	Serial code	Series range	Part	Version	Application	Maximum feed size	Maximum feed size from	Maximum feed size up to	Material with non-crushable content	Rotor	Package includes	Part no.
MR 130i PRO	K125	1 - 9999	Set of C-TRO-N.CC blow bars	Chrome steel - ceramic	Building rubble, mixed; Natural stone, medium-hard; Natural stone, hard; Asphalt; Gravel	0 - 300	0	300	No	for 4-piece rotor high/low	2 pcs.	2593029
				Chrome steel - ceramic	Building rubble, mixed; Natural stone, medium-hard; Natural stone, hard; Asphalt; Gravel	0 - 300	0	300	No	for 4-piece rotor	4 pcs.	2604356
			Set of C-TRO-N.M blow bars	Martensitic steel	Soft natural stone; Building rubble, mixed	0 - 700	0	700	Yes	for 4-piece rotor high/low	2 pcs.	2593014



BLOW BARS												
Series code	Serial code	Series range	Part	Version	Application	Maximum feed size	Maximum feed size from	Maximum feed size up to	Material with non-crushable content	Rotor	Package includes	Part no.
MR 130i PRO	K125	1 - 9999	Set of C-TRO-N.M blow bars	Martensitic steel	Soft natural stone; Building rubble, mixed	0 - 700	0	700	Yes	for 4-piece rotor	4 pcs.	2604466
			Set of C-TRO-N.MC+ blow bars	Martensitic ceramic (higher ceramic insert)	Building rubble, mixed; Reinforced concrete; Natural stone, medium-hard; Natural stone, hard; Asphalt; Gravel	0 - 500	0	500	Yes	for 4-piece rotor	4 pcs.	2642118

## CRUSHING TOOLS FOR IMPACT CRUSHERS

BLOW BARS												
Series code	Serial code	Series range	Part	Version	Application	Maximum feed size	Maximum feed size from	Maximum feed size up to	Material with non-crushable content	Rotor	Package includes	Part no.
MR 130i PRO	K125	1 - 9999	Set of C-TRO-N. MC+ blow bars	Martensitic ceramic (higher ceramic insert)	Building rubble, mixed; Reinforced concrete; Natural stone, medium-hard; Natural stone, hard; Asphalt; Gravel	0 - 700	0	700	Yes	for 4-piece rotor high/low	2 pcs.	2593945
						Set of C-TRO-N.Mn blow bars	Manganese steel	Soft natural stone	0 - 700	0	700	Yes
			Set of C-TRO-N.Mn blow bars	Manganese steel	Soft natural stone	0 - 700	0	700	Yes	for 4-piece rotor	4 pcs.	2604522





BLOW BARS												
Series code	Serial code	Series range	Part	Version	Application	Maximum feed size	Maximum feed size from	Maximum feed size up to	Material with non-crushable content	Rotor	Package includes	Part no.
MR 130i PRO	K125	1 - 9999	Set of Mart-Xtra blow bars		Build- ing rubble, mixed; Rein- forced con- crete; Natu- ral stone, me- dium- hard; Natu- ral stone, hard; As- phalt; Gravel	0 - 500	0	500	Yes	for 4- piece rotor high/ low	2 pcs.	2593021
					Build- ing rubble, mixed; Rein- forced con- crete; Natu- ral stone, me- dium- hard; Natu- ral stone, hard; As- phalt; Gravel	0 - 700	0	700	Yes	for 4- piece rotor	4 pcs.	2604428



# CRUSHING TOOLS FOR IMPACT CRUSHERS

BLOW BARS												
Series code	Serial code	Series range	Part	Version	Application	Maximum feed size	Maximum feed size from	Maximum feed size up to	Material with non-crushable content	Rotor	Package includes	Part no.
MR 150 PRO	K063	1 - 9999	Set of X-TRON. MC+ blow bars	Martensitic ceramic (higher ceramic insert)	Building rubble, mixed; Reinforced concrete; Natural stone, medium-hard; Natural stone, hard; Asphalt; Gravel	0 - 500	0	500	Yes	for 4-piece rotor high/low	2 pcs.	2593052
			Set of Mart-Xtra blow bars	Martensitic ceramic (higher ceramic insert)	Building rubble, mixed; Reinforced concrete; Natural stone, medium-hard; Natural stone, hard; Asphalt; Gravel	0 - 700	0	700	Yes	for 4-piece rotor high/low	2 pcs.	2727228



BLOW BARS												
Series code	Serial code	Series range	Part	Version	Application	Maximum feed size	Maximum feed size from	Maximum feed size up to	Material with non-crushable content	Rotor	Package includes	Part no.
MR 150 PRO	K063	1 - 9999	Set of X-TRO-N.M blow bars	Martensitic steel	Soft natural stone; Building rubble, mixed	0 - 700	0	700	Yes	for 4-piece rotor high/low	2 pcs.	2593051
				Martensitic steel	Soft natural stone; Building rubble, mixed	0 - 700	0	700	Yes	for 4-piece rotor	4 pcs.	2605006
			Set of X-TRO-N.MC+ blow bars	Martensitic ceramic (higher ceramic insert)	Building rubble, mixed; Reinforced concrete; Natural stone, medium-hard; Natural stone, hard; Asphalt; Gravel	0 - 500	0	500	Yes	for 4-piece rotor	4 pcs.	2605007



# CRUSHING TOOLS FOR IMPACT CRUSHERS

BLOW BARS												
Series code	Serial code	Series range	Part	Version	Application	Maximum feed size	Maximum feed size from	Maximum feed size up to	Material with non-crushable content	Rotor	Package includes	Part no.
MR 150 PRO	K063	1 - 9999	Set of X-TRO-N.Mn blow bars	Manganese steel	Soft natural stone	0 - 700	0	700	Yes	for 4-piece rotor	4 pcs.	2604991
				Manganese steel	Soft natural stone	0 - 700	0	700	Yes	for 4-piece rotor high/low	2 pcs.	2593049
MR 170 PRO	K033	1 - 9999	Set of X-TRO-N.MC+ blow bars	Martensitic ceramic (higher ceramic insert)	Building rubble, mixed; Reinforced concrete; Natural stone, medium-hard; Natural stone, hard; Asphalt; Gravel	0 - 500	0	500	Yes	for 4-piece rotor high/low	2 pcs.	2594166



BLOW BARS												
Series code	Serial code	Series range	Part	Version	Application	Maximum feed size	Maximum feed size from	Maximum feed size up to	Material with non-crushable content	Rotor	Package includes	Part no.
MR 170 PRO	K033	1 - 9999	Set of Mart-Xtra blow bars	Martensitic ceramic (higher ceramic insert)	Building rubble, mixed; Reinforced concrete; Natural stone, medium-hard; Natural stone, hard; Asphalt; Gravel	0 - 700	0	700	Yes	for 4-piece rotor high/low	2 pcs.	2636633
			Martensitic steel	Soft natural stone; Building rubble, mixed	0 - 700	0	700	Yes	for 4-piece rotor high/low	2 pcs.	2594150	

# CRUSHING TOOLS FOR IMPACT CRUSHERS

BLOW BARS																
Series code	Serial code	Series range	Part	Version	Application	Maximum feed size	Maximum feed size from	Maximum feed size up to	Material with non-crushable content	Rotor	Package includes	Part no.				
MR 170 PRO	K033	1 - 9999	Set of X-TRON.MC+ blow bars		Martensitic ceramic (higher ceramic insert)	Building rubble, mixed; Reinforced concrete; Natural stone, medium-hard; Natural stone, hard; Asphalt; Gravel	0 - 500	0	500	Yes	for 4-piece rotor	4 pcs.	2636635			
							Set of X-TRON.Mn blow bars	Manganese steel	Soft natural stone	0 - 700	0	700	Yes	for 4-piece rotor	4 pcs.	2636638
										Manganese steel	Soft natural stone	0 - 700	0	700	Yes	for 4-piece rotor high/low

# CRUSHING TOOLS FOR JAW CRUSHERS



Crushing tools from KLEEMANN are made of special hard manganese steel which guarantees a long service life. The shape of the crusher is optimised for the lowest possible wear. A flattened transition from the prescreen and/or the feeding chute into the crushing chamber allows the material to be tipped into the crushing chamber

without any obstacles. Thanks to the wide, raised, movable crusher jaw, the material cannot rest on top and less congestion occurs. The generously sized material tunnel, easily accessible from the side, additionally prevents blockages. The result is exceptional throughput and outstanding reliability.



> Read more online

# CRUSHING TOOLS FOR JAW CRUSHERS

## CRUSHER JAWS

Selecting the right crushing tools has a significant impact on achieving a satisfactory crushing result with low wear costs, and the quality of the steel has a considerable influence on the service life. Crushing tools from KLEEMANN are made of special hard manganese steel which guarantees a long service life.



CRUSHER JAWS									
Series code	Serial code	Series range	Shape	Version	Type	Applica- tion/ab- rasive- ness [g/t]	Applica- tion Type	Applica- tion/com- pressive strength	Part no.
MC 100 R	K001	1 - 9999	RT (regu- lar-teeth)	RT-BITE 18	Fix	Medium (<600 g/t)	Universal; Recycling; Natural stone	<200 MPa	2419030
			RT (regu- lar-teeth)	RT-BITE 20	Fix	Medium (>600 g/t)	Universal; Recycling; Natural stone	>200 MPa	2419045
			RT (regu- lar-teeth)	RT-BITE 20	Loose	Medium (>600 g/t)	Universal; Recycling; Natural stone	>200 MPa	2419008
			RT (regu- lar-teeth)	RT-BITE 18	Loose	Medium (<600 g/t)	Universal; Recycling; Natural stone	<200 MPa	2418998
			RT (regu- lar-teeth)	RT-BITE 18	SET	Medium (<600 g/t)	Universal; Recycling; Natural stone	<200 MPa	2966845
MC 100 EVO	K002	1 - 9999	ST (sharp- teeth)	ST-BITE 18	Loose	Soft; Me- dium (<400 g/t)	Lime- stone; Sand- stone; Re- cycling	<150 MPa	2337527
			ST (sharp- teeth)	ST-BITE 18	Fix	Soft; Me- dium (<400 g/t)	Lime- stone; Sand- stone; Re- cycling	<150 MPa	2337542
			RT (regu- lar-teeth)	RT-BITE 18	SET	Medium (<600 g/t)	Universal; Recycling; Natural stone	<200 MPa	2966845
			RT (regu- lar-teeth)	RT-BITE 20	Loose	Medium (>600 g/t)	Universal; Recycling; Natural stone	>200 MPa	2419231





CRUSHER JAWS									
Series code	Serial code	Series range	Shape	Version	Type	Applica- tion/ab- rasive- ness [g/t]	Applica- tion Type	Applica- tion/com- pressive strength	Part no.
MC 100 EVO	K002	1 - 9999	RT (regu- lar-teeth)	RT-BITE 18	Fix	Medium (<600 g/t)	Universal; Recycling; Natural stone	<200 MPa	2419243
			RT (regu- lar-teeth)	RT-BITE 20	Fix	Medium (>600 g/t)	Universal; Recycling; Natural stone	>200 MPa	2419248
			RT (regu- lar-teeth)	RT-BITE 18	Loose	Medium (<600 g/t)	Universal; Recycling; Natural stone	<200 MPa	2419223
MC 100i EVO	K011	1 - 9999	ST (sharp- teeth)	ST-BITE 18	Fix	Soft; Me- dium (<400 g/t)	Lime- stone; Sand- stone; Re- cycling	<150 MPa	2337542
			ST (sharp- teeth)	ST-BITE 18	Loose	Soft; Me- dium (<400 g/t)	Lime- stone; Sand- stone; Re- cycling	<150 MPa	2337527
			RT (regu- lar-teeth)	RT-BITE 20	Fix	Medium (>600 g/t)	Universal; Recycling; Natural stone	>200 MPa	2419248
			RT (regu- lar-teeth)	RT-BITE 18	Fix	Medium (<600 g/t)	Universal; Recycling; Natural stone	<200 MPa	2419243
			RT (regu- lar-teeth)	RT-BITE 20	Loose	Medium (>600 g/t)	Universal; Recycling; Natural stone	>200 MPa	2419231
			RT (regu- lar-teeth)	RT-BITE 18	Loose	Medium (<600 g/t)	Universal; Recycling; Natural stone	<200 MPa	2419223
MC 110 R EVO	K005	1 - 9999	RT (regu- lar-teeth)	RT-BITE 24	Fix	Hard (<1000 g/ t); Medium (>800 g/t)	Universal; Recycling; Natural stone	>250 MPa	2795133
			FT (flat- teeth)	FT-BITE 24	Loose	Hard (>1000 g/ t)	Natural stone	>250 MPa	2850432
			RT (regu- lar-teeth)	RT-BITE 20	Loose	Medium (>600 g/t)	Universal; Recycling; Natural stone	>200 MPa	2419251

# CRUSHING TOOLS FOR JAW CRUSHERS

CRUSHER JAWS									
Series code	Serial code	Series range	Shape	Version	Type	Application/abrasiveness [g/t]	Application Type	Application/compressive strength	Part no.
MC 110 R EVO	K005	1 - 9999	RT (regular-teeth)	RT-BITE 18	Fix	Medium (<600 g/t)	Universal; Recycling; Natural stone	<200 MPa	2419252
			RT (regular-teeth)	RT-BITE 20	Fix	Medium (>600 g/t)	Universal; Recycling; Natural stone	>200 MPa	2419253
			FT (flat-teeth)	FT-BITE 18	Loose	Hard (<1000 g/t); Medium (>800 g/t)	Natural stone	<200 MPa	2576471
			FT (flat-teeth)	FT-BITE 18	Fix	Hard (<1000 g/t); Medium (>800 g/t)	Natural stone	<200 MPa	2576472
			FT (flat-teeth)	FT-BITE 24	Fix	Hard (>1000 g/t)	Natural stone	>250 MPa	2850433
			MT (mix-teeth)	MT-BITE 18	Loose	Hard (>1000 g/t)	Natural stone	>200 MPa	2628287
			ST (sharp-teeth)	ST-BITE 18	Fix	Soft; Medium (<400 g/t)	Limestone; Sandstone; Recycling	<150 MPa	2305306
			ST (sharp-teeth)	ST-BITE 18	Loose	Soft; Medium (<400 g/t)	Limestone; Sandstone; Recycling	<150 MPa	2305309
			WT (wavy-teeth)	WT-BITE 18	Fix	Soft; Medium (<600 g/t)	Recycling - cohesive, sticky material	<200 MPa	2660159
			RT (regular-teeth)	RT-BITE 24	Loose	Hard (<1000 g/t); Medium (>800 g/t)	Universal; Recycling; Natural stone	>250 MPa	2795114
			WT (wavy-teeth)	WT-BITE 18	Loose	Soft; Medium (<600 g/t)	Recycling - cohesive, sticky material	<200 MPa	2660158
			RT (regular-teeth)	RT-BITE 18	Loose	Medium (<600 g/t)	Universal; Recycling; Natural stone	<200 MPa	2419250



CRUSHER JAWS									
Series code	Serial code	Series range	Shape	Version	Type	Applica- tion/ab- rasive- ness [g/t]	Applica- tion Type	Applica- tion/com- pressive strength	Part no.
MC 110 Ri EVO	K014	1 - 9999	RT (regu- lar-teeth)	RT-BITE 24	Fix	Hard (<1000 g/ t); Medium (>800 g/t)	Universal; Recycling; Natural stone	>250 MPa	2795133
			ST (sharp- teeth)	ST-BITE 18	Fix	Soft; Me- dium (<400 g/t)	Lime- stone; Sand- stone; Re- cycling	<150 MPa	2305306
			FT (flat- teeth)	FT-BITE 24	Loose	Hard (>1000 g/ t)	Natural stone	>250 MPa	2850432
			RT (regu- lar-teeth)	RT-BITE 24	Loose	Hard (<1000 g/ t); Medium (>800 g/t)	Universal; Recycling; Natural stone	>250 MPa	2795114
			MT (mix- teeth)	MT-BITE 18	Loose	Hard (>1000 g/ t)	Natural stone	>200 MPa	2628287
			ST (sharp- teeth)	ST-BITE 18	Loose	Soft; Me- dium (<400 g/t)	Lime- stone; Sand- stone; Re- cycling	<150 MPa	2305309
			FT (flat- teeth)	FT-BITE 18	Fix	Hard (<1000 g/ t); Medium (>800 g/t)	Natural stone	<200 MPa	2576472
			FT (flat- teeth)	FT-BITE 18	Loose	Hard (<1000 g/ t); Medium (>800 g/t)	Natural stone	<200 MPa	2576471
			RT (regu- lar-teeth)	RT-BITE 20	Fix	Medium (>600 g/t)	Universal; Recycling; Natural stone	>200 MPa	2419253
			RT (regu- lar-teeth)	RT-BITE 18	Fix	Medium (<600 g/t)	Universal; Recycling; Natural stone	<200 MPa	2419252
			RT (regu- lar-teeth)	RT-BITE 20	Loose	Medium (>600 g/t)	Universal; Recycling; Natural stone	>200 MPa	2419251
			RT (regu- lar-teeth)	RT-BITE 18	Loose	Medium (<600 g/t)	Universal; Recycling; Natural stone	<200 MPa	2419250

# CRUSHING TOOLS FOR JAW CRUSHERS

CRUSHER JAWS									
Series code	Serial code	Series range	Shape	Version	Type	Application/abrasiveness [g/t]	Application Type	Application/compressive strength	Part no.
MC 110 Ri EVO	K014	1 - 9999	WT (wavy-teeth)	WT-BITE 18	Fix	Soft; Medium (<600 g/t)	Recycling - cohesive, sticky material	<200 MPa	2660159
			FT (flat-teeth)	FT-BITE 24	Fix	Hard (>1000 g/t)	Natural stone	>250 MPa	2850433
			WT (wavy-teeth)	WT-BITE 18	Loose	Soft; Medium (<600 g/t)	Recycling - cohesive, sticky material	<200 MPa	2660158
			RT (regular-teeth)	RT-BITE 18	SET	Medium (<600 g/t)	Universal; Recycling; Natural stone	<200 MPa	2966846
MC 110 Z	K004	1 - 9999	RT (regular-teeth)	RT-BITE 18	Loose	Medium (<600 g/t)	Universal; Recycling; Natural stone	<200 MPa	2292019
			RT (regular-teeth)	RT-BITE 20	Fix	Medium (>600 g/t)	Universal; Recycling; Natural stone	>200 MPa	2412228
			RT (regular-teeth)	RT-BITE 20	Loose	Medium (>600 g/t)	Universal; Recycling; Natural stone	>200 MPa	2412269
			RT (regular-teeth)	RT-BITE 18	Fix	Medium (<600 g/t)	Universal; Recycling; Natural stone	<200 MPa	2292016
			RT (regular-teeth)	RT-BITE 18	SET	Medium (<600 g/t)	Universal; Recycling; Natural stone	<200 MPa	2966846
MC 110 Z EVO	K006	1 - 9999	RT (regular-teeth)	RT-BITE 18	Loose	Medium (<600 g/t)	Universal; Recycling; Natural stone	<200 MPa	2419250
			WT (wavy-teeth)	WT-BITE 18	Loose	Soft; Medium (<600 g/t)	Recycling - cohesive, sticky material	<200 MPa	2660158
			RT (regular-teeth)	RT-BITE 18	Fix	Medium (<600 g/t)	Universal; Recycling; Natural stone	<200 MPa	2419252
			RT (regular-teeth)	RT-BITE 20	Fix	Medium (>600 g/t)	Universal; Recycling; Natural stone	>200 MPa	2419253



CRUSHER JAWS									
Series code	Serial code	Series range	Shape	Version	Type	Application/abrasiveness [g/t]	Application Type	Application/compressive strength	Part no.
MC 110 Z EVO	K006	1 - 9999	FT (flat-teeth)	FT-BITE 18	Loose	Hard (<1000 g/t); Medium (>800 g/t)	Natural stone	<200 MPa	2576471
			FT (flat-teeth)	FT-BITE 18	Fix	Hard (<1000 g/t); Medium (>800 g/t)	Natural stone	<200 MPa	2576472
			RT (regular-teeth)	RT-BITE 24	Fix	Hard (<1000 g/t); Medium (>800 g/t)	Universal; Recycling; Natural stone	>250 MPa	2795133
			RT (regular-teeth)	RT-BITE 24	Loose	Hard (<1000 g/t); Medium (>800 g/t)	Universal; Recycling; Natural stone	>250 MPa	2795114
			FT (flat-teeth)	FT-BITE 24	Loose	Hard (>1000 g/t)	Natural stone	>250 MPa	2850432
			FT (flat-teeth)	FT-BITE 24	Fix	Hard (>1000 g/t)	Natural stone	>250 MPa	2850433
			MT (mix-teeth)	MT-BITE 18	Loose	Hard (>1000 g/t)	Natural stone	>200 MPa	2628287
			ST (sharp-teeth)	ST-BITE 18	Fix	Soft; Medium (<400 g/t)	Limestone; Sandstone; Recycling	<150 MPa	2305306
			ST (sharp-teeth)	ST-BITE 18	Loose	Soft; Medium (<400 g/t)	Limestone; Sandstone; Recycling	<150 MPa	2305309
			WT (wavy-teeth)	WT-BITE 18	Fix	Soft; Medium (<600 g/t)	Recycling - cohesive, sticky material	<200 MPa	2660159
			RT (regular-teeth)	RT-BITE 20	Loose	Medium (>600 g/t)	Universal; Recycling; Natural stone	>200 MPa	2419251
MC 110 R	K003	1 - 9999	RT (regular-teeth)	RT-BITE 18	Fix	Medium (<600 g/t)	Universal; Recycling; Natural stone	<200 MPa	2292016

# CRUSHING TOOLS FOR JAW CRUSHERS

CRUSHER JAWS									
Series code	Serial code	Series range	Shape	Version	Type	Applica- tion/ab- rasive- ness [g/t]	Applica- tion Type	Applica- tion/com- pressive strength	Part no.
MC 110 R	K003	1 - 9999	RT (regu- lar-teeth)	RT-BITE 18	Loose	Medium (<600 g/t)	Universal; Recycling; Natural stone	<200 MPa	2292019
			RT (regu- lar-teeth)	RT-BITE 20	Fix	Medium (>600 g/t)	Universal; Recycling; Natural stone	>200 MPa	2412228
			RT (regu- lar-teeth)	RT-BITE 20	Loose	Medium (>600 g/t)	Universal; Recycling; Natural stone	>200 MPa	2412269
MC 110 Zi EVO	K015	1 - 9999	RT (regu- lar-teeth)	RT-BITE 18	Loose	Medium (<600 g/t)	Universal; Recycling; Natural stone	<200 MPa	2419250
			FT (flat- teeth)	FT-BITE 18	Fix	Hard (<1000 g/ t); Medium (>800 g/t)	Natural stone	<200 MPa	2576472
			ST (sharp- teeth)	ST-BITE 18	Loose	Soft; Me- dium (<400 g/t)	Lime- stone; Sand- stone; Re- cycling	<150 MPa	2305309
			MT (mix- teeth)	MT-BITE 18	Loose	Hard (>1000 g/ t)	Natural stone	>200 MPa	2628287
			RT (regu- lar-teeth)	RT-BITE 24	Loose	Hard (<1000 g/ t); Medium (>800 g/t)	Universal; Recycling; Natural stone	>250 MPa	2795114
			FT (flat- teeth)	FT-BITE 24	Loose	Hard (>1000 g/ t)	Natural stone	>250 MPa	2850432
			ST (sharp- teeth)	ST-BITE 18	Fix	Soft; Me- dium (<400 g/t)	Lime- stone; Sand- stone; Re- cycling	<150 MPa	2305306
			FT (flat- teeth)	FT-BITE 24	Fix	Hard (>1000 g/ t)	Natural stone	>250 MPa	2850433
			RT (regu- lar-teeth)	RT-BITE 24	Fix	Hard (<1000 g/ t); Medium (>800 g/t)	Universal; Recycling; Natural stone	>250 MPa	2795133



CRUSHER JAWS									
Series code	Serial code	Series range	Shape	Version	Type	Application/abrasiveness [g/t]	Application Type	Application/compressive strength	Part no.
MC 110 Zi EVO	K015	1 - 9999	WT (wavy-teeth)	WT-BITE 18	Loose	Soft; Medium (<600 g/t)	Recycling - cohesive, sticky material	<200 MPa	2660158
			WT (wavy-teeth)	WT-BITE 18	Fix	Soft; Medium (<600 g/t)	Recycling - cohesive, sticky material	<200 MPa	2660159
			RT (regular-teeth)	RT-BITE 18	SET	Medium (<600 g/t)	Universal; Recycling; Natural stone	<200 MPa	2966846
			RT (regular-teeth)	RT-BITE 18	Fix	Medium (<600 g/t)	Universal; Recycling; Natural stone	<200 MPa	2419252
			RT (regular-teeth)	RT-BITE 20	Fix	Medium (>600 g/t)	Universal; Recycling; Natural stone	>200 MPa	2419253
			FT (flat-teeth)	FT-BITE 18	Loose	Hard (<1000 g/t); Medium (>800 g/t)	Natural stone	<200 MPa	2576471
			RT (regular-teeth)	RT-BITE 20	Loose	Medium (>600 g/t)	Universal; Recycling; Natural stone	>200 MPa	2419251
MC 120 Z	K007	1 - 9999	RT (regular-teeth)	RT-BITE 18	SET	Medium (<600 g/t)	Universal; Recycling; Natural stone	<200 MPa	2966847
			RT (regular-teeth)	RT-BITE 20	Fix	Medium (>600 g/t)	Universal; Recycling; Natural stone	>200 MPa	2412366
			RT (regular-teeth)	RT-BITE 18	Fix	Medium (<600 g/t)	Universal; Recycling; Natural stone	<200 MPa	2292013
			RT (regular-teeth)	RT-BITE 20	Loose	Medium (>600 g/t)	Universal; Recycling; Natural stone	>200 MPa	2412356
			RT (regular-teeth)	RT-BITE 18	Loose	Medium (<600 g/t)	Universal; Recycling; Natural stone	<200 MPa	2292007
MC 120 PRO	K034	25 - 9999	RT (regular-teeth)	RT-BITE 18	SET	Medium (<600 g/t)	Universal; Recycling; Natural stone	<200 MPa	2966847

# CRUSHING TOOLS FOR JAW CRUSHERS

CRUSHER JAWS									
Series code	Serial code	Series range	Shape	Version	Type	Application/abrasiveness [g/t]	Application Type	Application/compressive strength	Part no.
MC 120 PRO	K034	25 - 9999	RT (regular-teeth)	RT-BITE 18	Loose	Medium (<600 g/t)	Universal; Recycling; Natural stone	<200 MPa	2457875
			FT (flat-teeth)	FT-BITE 18	Loose	Hard (<1000 g/t); Medium (>800 g/t)	Natural stone	<200 MPa	2457878
			RT (regular-teeth)	RT-BITE 18	Fix	Medium (<600 g/t)	Universal; Recycling; Natural stone	<200 MPa	2457892
			FT (flat-teeth)	FT-BITE 20	Fix	Hard (<1000 g/t)	Natural stone	>200 MPa	2570194
			RT (regular-teeth)	RT-BITE 20	Loose	Medium (>600 g/t)	Universal; Recycling; Natural stone	>200 MPa	2570190
			FT (flat-teeth)	FT-BITE 20	Loose	Hard (<1000 g/t)	Natural stone	>200 MPa	2570191
			RT (regular-teeth)	RT-BITE 20	Fix	Medium (>600 g/t)	Universal; Recycling; Natural stone	>200 MPa	2570192
			FT (flat-teeth)	FT-BITE 18	Fix	Hard (<1000 g/t); Medium (>800 g/t)	Natural stone	<200 MPa	2457909
MC 120 i PRO	K035	3 - 9999	RT (regular-teeth)	RT-BITE 18	SET	Medium (<600 g/t)	Universal; Recycling; Natural stone	<200 MPa	2966847
			RT (regular-teeth)	RT-BITE 18	Loose	Medium (<600 g/t)	Universal; Recycling; Natural stone	<200 MPa	2457875
			FT (flat-teeth)	FT-BITE 18	Loose	Hard (<1000 g/t); Medium (>800 g/t)	Natural stone	<200 MPa	2457878
			RT (regular-teeth)	RT-BITE 18	Fix	Medium (<600 g/t)	Universal; Recycling; Natural stone	<200 MPa	2457892
			FT (flat-teeth)	FT-BITE 20	Fix	Hard (<1000 g/t)	Natural stone	>200 MPa	2570194





CRUSHER JAWS									
Series code	Serial code	Series range	Shape	Version	Type	Applica- tion/ab- rasive- ness [g/t]	Applica- tion Type	Applica- tion/com- pressive strength	Part no.
MC 120 i PRO	K035	3 - 9999	RT (regu- lar-teeth)	RT-BITE 20	Loose	Medium (>600 g/t)	Universal; Recycling; Natural stone	>200 MPa	2570190
			FT (flat- teeth)	FT-BITE 20	Loose	Hard (<1000 g/ t)	Natural stone	>200 MPa	2570191
			RT (regu- lar-teeth)	RT-BITE 20	Fix	Medium (>600 g/t)	Universal; Recycling; Natural stone	>200 MPa	2570192
			FT (flat- teeth)	FT-BITE 18	Fix	Hard (<1000 g/ t); Medium (>800 g/t)	Natural stone	<200 MPa	2457909
MC 110 EVO2	K116	1 - 9999	ST (sharp- teeth)	ST-BITE 18	Loose	Soft; Me- dium (<400 g/t)	Lime- stone; Sand- stone; Re- cycling	<150 MPa	2305309
			WT (wavy- teeth)	WT-BITE 18	Fix	Soft; Me- dium (<600 g/t)	Recycling - cohesive, sticky ma- terial	<200 MPa	2660159
			RT (regu- lar-teeth)	RT-BITE 20	Loose	Medium (>600 g/t)	Universal; Recycling; Natural stone	>200 MPa	2419251
			RT (regu- lar-teeth)	RT-BITE 18	Loose	Medium (<600 g/t)	Universal; Recycling; Natural stone	<200 MPa	2419250
			FT (flat- teeth)	FT-BITE 18	Loose	Hard (<1000 g/ t); Medium (>800 g/t)	Natural stone	<200 MPa	2576471
			MT (mix- teeth)	MT-BITE 18	Loose	Hard (>1000 g/ t)	Natural stone	>200 MPa	2628287
			RT (regu- lar-teeth)	RT-BITE 24	Loose	Hard (<1000 g/ t); Medium (>800 g/t)	Universal; Recycling; Natural stone	>250 MPa	2795114
			FT (flat- teeth)	FT-BITE 24	Loose	Hard (>1000 g/ t)	Natural stone	>250 MPa	2850432

# CRUSHING TOOLS FOR JAW CRUSHERS

CRUSHER JAWS									
Series code	Serial code	Series range	Shape	Version	Type	Applica- tion/ab- rasive- ness [g/t]	Applica- tion Type	Applica- tion/com- pressive strength	Part no.
MC 110 EVO2	K116	1 - 9999	ST (sharp-teeth)	ST-BITE 18	Fix	Soft; Me- dium (<400 g/t)	Lime- stone; Sand- stone; Re- cycling	<150 MPa	2305306
			RT (regu- lar-teeth)	RT-BITE 18	Fix	Medium (<600 g/t)	Universal; Recycling; Natural stone	<200 MPa	2419252
			RT (regu- lar-teeth)	RT-BITE 20	Fix	Medium (>600 g/t)	Universal; Recycling; Natural stone	>200 MPa	2419253
			FT (flat- teeth)	FT-BITE 18	Fix	Hard (<1000 g/ t); Medium (>800 g/t)	Natural stone	<200 MPa	2576472
			RT (regu- lar-teeth)	RT-BITE 24	Fix	Hard (<1000 g/ t); Medium (>800 g/t)	Universal; Recycling; Natural stone	>250 MPa	2795133
			FT (flat- teeth)	FT-BITE 24	Fix	Hard (>1000 g/ t)	Natural stone	>250 MPa	2850433
			WT (wavy- teeth)	WT-BITE 18	Loose	Soft; Me- dium (<600 g/t)	Recycling - cohesive, sticky ma- terial	<200 MPa	2660158
			RT (regu- lar-teeth)	RT-BITE 18	SET	Medium (<600 g/t)	Universal; Recycling; Natural stone	<200 MPa	2967885
MC110i EVO2	K117	1 - 9999	ST (sharp-teeth)	ST-BITE 18	Loose	Soft; Me- dium (<400 g/t)	Lime- stone; Sand- stone; Re- cycling	<150 MPa	2305309
			RT (regu- lar-teeth)	RT-BITE 18	Loose	Medium (<600 g/t)	Universal; Recycling; Natural stone	<200 MPa	2419250
			RT (regu- lar-teeth)	RT-BITE 20	Loose	Medium (>600 g/t)	Universal; Recycling; Natural stone	>200 MPa	2419251
			FT (flat- teeth)	FT-BITE 18	Loose	Hard (<1000 g/ t); Medium (>800 g/t)	Natural stone	<200 MPa	2576471



CRUSHER JAWS									
Series code	Serial code	Series range	Shape	Version	Type	Applica- tion/ab- rasive- ness [g/t]	Applica- tion Type	Applica- tion/com- pressive strength	Part no.
MC110i EVO2	K117	1 - 9999	MT (mix- teeth)	MT-BITE 18	Loose	Hard (>1000 g/ t)	Natural stone	>200 MPa	2628287
			RT (regu- lar-teeth)	RT-BITE 24	Loose	Hard (<1000 g/ t); Medium (>800 g/t)	Universal; Recycling; Natural stone	>250 MPa	2795114
			FT (flat- teeth)	FT-BITE 24	Loose	Hard (>1000 g/ t)	Natural stone	>250 MPa	2850432
			ST (sharp- teeth)	ST-BITE 18	Fix	Soft; Me- dium (<400 g/t)	Lime- stone; Sand- stone; Re- cycling	<150 MPa	2305306
			RT (regu- lar-teeth)	RT-BITE 18	Fix	Medium (<600 g/t)	Universal; Recycling; Natural stone	<200 MPa	2419252
			RT (regu- lar-teeth)	RT-BITE 20	Fix	Medium (>600 g/t)	Universal; Recycling; Natural stone	>200 MPa	2419253
			FT (flat- teeth)	FT-BITE 18	Fix	Hard (<1000 g/ t); Medium (>800 g/t)	Natural stone	<200 MPa	2576472
			RT (regu- lar-teeth)	RT-BITE 24	Fix	Hard (<1000 g/ t); Medium (>800 g/t)	Universal; Recycling; Natural stone	>250 MPa	2795133
			FT (flat- teeth)	FT-BITE 24	Fix	Hard (>1000 g/ t)	Natural stone	>250 MPa	2850433
			WT (wavy- teeth)	WT-BITE 18	Loose	Soft; Me- dium (<600 g/t)	Recycling - cohesive, sticky ma- terial	<200 MPa	2660158
			WT (wavy- teeth)	WT-BITE 18	Fix	Soft; Me- dium (<600 g/t)	Recycling - cohesive, sticky ma- terial	<200 MPa	2660159
			RT (regu- lar-teeth)	RT-BITE 18	SET	Medium (<600 g/t)	Universal; Recycling; Natural stone	<200 MPa	2967885

# CRUSHING TOOLS FOR JAW CRUSHERS

## CHEEK PLATES

Genuine KLEEMANN cheek plates are located to the right and left of the crushing jaws. They are made of highly wear-resistant steel to protect the crusher housing. The practical design of the cheek plates allows them to be mounted without bolts, thus saving valuable disassembly and assembly time.



CHEEK PLATES					
Series code	Serial code	Series range	Version	Position	Part no.
MC 100 R	K001	1 - 9999	KRS 40	right	F10350983
			KRS 50	left	2314602
			KRS 50	right	2314596
			KRS 40	left	F10350993
MC 100 EVO	K002	1 - 9999	KRS 40	left; right	2282528
			KRS HW	left; right	2462899
			KRS 50	left; right	2383215
MC 100i EVO	K011	1 - 9999	KRS 40	left; right	2282528
			KRS HW	left; right	2462899
			KRS 50	left; right	2383215
MC 110 R EVO	K005	1 - 9999	KRS 40	upper right	2242111
			KRS 40	upper left	2242112
			KRS 40	lower right	2242115
			KRS 40	lower left	2242120
			KRS 50	upper right	2355332
			KRS HW	upper right	2463084
			KRS 50	lower right	2355334
			KRS 50	lower left	2355337
			KRS HW	lower left	2462960
			KRS HW	upper left	2462971



CHEEK PLATES					
Series code	Serial code	Series range	Version	Position	Part no.
MC 110 R EVO	K005	1 - 9999	KRS HW	lower right	2463069
			KRS 50	upper left	2355333
MC 110 Ri EVO	K014	1 - 9999	KRS 40	upper right	2242111
			KRS 40	upper left	2242112
			KRS 40	lower right	2242115
			KRS 40	lower left	2242120
			KRS 50	upper right	2355332
			KRS HW	upper right	2463084
			KRS 50	lower right	2355334
			KRS 50	lower left	2355337
			KRS HW	lower left	2462960
			KRS HW	upper left	2462971
			KRS HW	lower right	2463069
MC 110 Z	K004	1 - 9999	KRS 40	upper right	F10377263
			KRS 40	upper left	F10377273
			KRS 40	lower right	F10377283
			KRS 50	lower left	2243840
			KRS 50	upper right	2243817
			KRS 50	lower right	2243821
			KRS 50	upper left	2243829
			KRS 40	lower left	F10377293
MC 110 Z EVO	K006	1 - 9999	KRS 40	upper right	2242111
			KRS 40	upper left	2242112
			KRS 40	lower right	2242115
			KRS 40	lower left	2242120

# CRUSHING TOOLS FOR JAW CRUSHERS

CHEEK PLATES					
Series code	Serial code	Series range	Version	Position	Part no.
MC 110 Z EVO	K006	1 - 9999	KRS 50	upper right	2355332
			KRS HW	upper right	2463084
			KRS 50	lower right	2355334
			KRS 50	lower left	2355337
			KRS HW	lower left	2462960
			KRS HW	upper left	2462971
			KRS HW	lower right	2463069
			KRS 50	upper left	2355333
MC 110 R	K003	1 - 9999	KRS 50	lower left	2243840
			KRS 40	upper right	F10377263
			KRS 40	upper left	F10377273
			KRS 50	upper left	2243829
			KRS 40	lower left	F10377293
			KRS 50	upper right	2243817
			KRS 50	lower right	2243821
			KRS 40	lower right	F10377283
MC 110 Zi EVO	K015	1 - 9999	KRS 50	upper right	2355332
			KRS 50	upper left	2355333
			KRS 50	lower right	2355334
			KRS 50	lower left	2355337
			KRS HW	lower left	2462960
			KRS 40	lower left	2242120
			KRS HW	lower right	2463069
			KRS HW	upper right	2463084
			KRS 40	upper right	2242111
			KRS 40	upper left	2242112



CHEEK PLATES					
Series code	Serial code	Series range	Version	Position	Part no.
MC 110 Zi EVO	K015	1 - 9999	KRS 40	lower right	2242115
			KRS HW	upper left	2462971
MC 120 Z	K007	1 - 9999	KRS 50	lower right	2314590
			KRS 40	upper right	F20002091
			KRS 40	lower right	F20002092
			KRS 50	lower left	2314587
			KRS 40	lower left	F20002094
			KRS 50	upper left	2314575
			KRS 50	upper right	2314582
			KRS 40	upper left	F20002093
MC 120 PRO	K034	1 - 24	KRS 40	upper left	2483369
			KRS 40	upper right	2483370
			KRS 40	lower left	2483371
			KRS 40	lower right	2483372
			KRS 50	upper left	2629507
			KRS 50	upper right	2629509
			KRS 50	lower left	2629512
			KRS 50	lower right	2629513
		25 - 9999	KRS 50	lower right	2641274
			KRS 50	lower left	2641271
			KRS 50	upper right	2641270
			KRS 50	upper left	2641268
			KRS 40	lower left	2641259
			KRS 40	lower right	2641257
			KRS 40	upper left	2641256
KRS 40	upper right	2641255			

# CRUSHING TOOLS FOR JAW CRUSHERS

CHEEK PLATES					
Series code	Serial code	Series range	Version	Position	Part no.
MC 120 i PRO	K035	1 - 2	KRS 50	lower left	2629512
			KRS 50	lower right	2629513
			KRS 50	upper right	2629509
			KRS 50	upper left	2629507
			KRS 40	lower right	2483372
			KRS 40	lower left	2483371
			KRS 40	upper right	2483370
			KRS 40	upper left	2483369
		3 - 9999	KRS 50	lower left	2641271
			KRS 40	lower right	2641257
			KRS 40	upper left	2641256
			KRS 40	upper right	2641255
			KRS 50	lower right	2641274
			KRS 40	lower left	2641259
KRS 50	upper right		2641270		
KRS 50	upper left		2641268		
MC 125 PRO	K008	1 - 9999	KRS 50	lower left; lower right	2369903
			KRS 50	upper left; upper right	2369899
			KRS 40	lower left; lower right	F10109111
			KRS 40	upper left; upper right	F10109101
MC 110 EVO2	K116	1 - 9999	KRS HW	upper right	2968274
			KRS HW	upper left	2968284
			KRS HW	lower left	2968280
			KRS HW	lower right	2968282
			KRS 50	upper left	2932939
			KRS 50	upper right	2932929





CHEEK PLATES					
Series code	Serial code	Series range	Version	Position	Part no.
MC 110 EVO2	K116	1 - 9999	KRS 50	lower left	2932936
			KRS 50	lower right	2932937
			KRS 40	upper left	2679487
			KRS 40	upper right	2679359
			KRS 40	lower left	2679488
			KRS 40	lower right	2679463
MC110i EVO2	K117	1 - 9999	KRS 40	lower right	2679463
			KRS 40	lower left	2679488
			KRS 40	upper right	2679359
			KRS 40	upper left	2679487
			KRS 50	lower right	2932937
			KRS HW	upper left	2968284
			KRS 50	upper right	2932929
			KRS 50	upper left	2932939
			KRS HW	lower right	2968282
			KRS HW	lower left	2968280
			KRS HW	upper right	2968274
			KRS 50	lower left	2932936

Original KLEEMANN

## CRUSHING TOOLS FOR CONE CRUSHERS



The KX series of cone crushers are typically used as secondary and tertiary crushers. In this case, the material entering the crusher is crushed between the rigid crushing shell and the moving crushing cone.

To achieve consistently high performance and a

long service life, the entire wear surface of the crushing tool must be used.

This can only be achieved if the crushing tools are selected to match the size of the material entering the crusher and the desired final product.



> Read more online



## CRUSHING SHELLS AND CRUSHING CONES

The crushing tools must achieve an optimum crushing result and a long service life, even at a high degree of utilisation. This is why different crushing tool combinations, material thicknesses and manganese steel qualities are available from KLEEMANN for varying application conditions.



CRUSHING SHELLS AND CRUSHING CONES											
Series code	Serial code	Part	Type	Crushing tool type	Application	Version	Manganese version Content	Tool type	Minimum gap width	Feed opening	Part no.
MCO 9 EVO	K072	crushing cone	with anti-spin; without anti-spin	Standard	Fine; Medium; Coarse	S-CONE 18	18.2 MnCr	KX200; KX250	16 mm - 45 mm	116 mm - 199 mm	2295672
			with anti-spin; without anti-spin	Short Head	Fine; Medium; Coarse	SH-CONE 20	20.3 MnCr	KX200; KX250	10 mm - 25 mm	71 mm - 142 mm	2599925
			with anti-spin; without anti-spin	Short Head	Fine; Medium; Coarse	SH-CONE 18	18.2 MnCr	KX200; KX250	10 mm - 25 mm	71 mm - 142 mm	2295676
			with anti-spin; without anti-spin	Standard	Fine; Medium; Coarse	S-CONE 20	20.3 MnCr	KX200; KX250	16 mm - 45 mm	116 mm - 199 mm	2450546
		crushing shell	with anti-spin; without anti-spin	Standard	Coarse	S-CONE C 20	20.3 MnCr	KX200; KX250	25 mm - 45 mm	179 mm - 199 mm	2450548
			with anti-spin; without anti-spin	Short Head	Coarse	SH-CONE C 20	20.3 MnCr	KX200; KX250	13 mm - 25 mm	130 mm - 142 mm	2599957

# CRUSHING TOOLS FOR CONE CRUSHERS

CRUSHING SHELLS AND CRUSHING CONES											
Series code	Serial code	Part	Type	Crushing tool type	Application	Version	Manganese version Content	Tool type	Minimum gap width	Feed opening	Part no.
MCO 9 EVO	K072	crushing shell	with anti-spin; without anti-spin	Standard	Medium	S-CONE M 18	18.2 MnCr	KX200; KX250	19 mm - 38 mm	138 mm - 157 mm	2295649
			with anti-spin; without anti-spin	Standard	Coarse	S-CONE C 18	18.2 MnCr	KX200; KX250	25 mm - 45 mm	179 mm - 199 mm	2295646
			with anti-spin; without anti-spin	Standard	Fine	S-CONE F 20	20.3 MnCr	KX200; KX250	16 mm - 32 mm	116 mm - 131 mm	2450551
			with anti-spin; without anti-spin	Standard	Medium	S-CONE M 20	20.3 MnCr	KX200; KX250	19 mm - 38 mm	138 mm - 157 mm	2450550
			with anti-spin; without anti-spin	Short Head	Fine	SH-CONE F 20	20.3 MnCr	KX200; KX250	10 mm - 19 mm	71 mm - 80 mm	2599960
			with anti-spin; without anti-spin	Short Head	Medium	SH-CONE M 18	18.2 MnCr	KX200; KX250	10 mm - 22 mm	99 mm - 111 mm	2369191
			with anti-spin; without anti-spin	Short Head	Fine	SH-CONE F 18	18.2 MnCr	KX200; KX250	10 mm - 19 mm	71 mm - 80 mm	2369178
			with anti-spin; without anti-spin	Standard	Fine	S-CONE F 18	18.2 MnCr	KX200; KX250	16 mm - 32 mm	116 mm - 131 mm	2295652



CRUSHING SHELLS AND CRUSHING CONES											
Series code	Serial code	Part	Type	Crushing tool type	Application	Version	Manganese version Content	Tool type	Minimum gap width	Feed opening	Part no.
MCO 9 EVO	K072	crushing shell	with anti-spin; without anti-spin	Short Head	Medium	SH-CONE M 20	20.3 MnCr	KX200; KX250	10 mm - 22 mm	99 mm - 111 mm	2599959
		Crushing tools SET for cone crushers	with anti-spin	Short Head	Coarse	SH-CONE C 18	18.2 MnCr	KX200; KX250	13 mm - 25 mm	130 mm - 142 mm	2402522
			with anti-spin	Standard	Coarse	S-CONE C 18	18.2 MnCr	KX200; KX250	25 mm - 45 mm	179 mm - 199 mm	2402518
			with anti-spin	Standard	Medium	S-CONE M 18	18.2 MnCr	KX200; KX250	19 mm - 38 mm	138 mm - 157 mm	2402519
			with anti-spin	Standard	Fine	S-CONE F 18	18.2 MnCr	KX200; KX250	16 mm - 32 mm	116 mm - 131 mm	2402521
			with anti-spin	Short Head	Fine	SH-CONE F 20	20.3 MnCr	KX200; KX250	10 mm - 19 mm	71 mm - 80 mm	2615704
			with anti-spin	Short Head	Medium	SH-CONE M 18	18.2 MnCr	KX200; KX250	10 mm - 22 mm	99 mm - 111 mm	2402523
			with anti-spin	Short Head	Fine	SH-CONE F 18	18.2 MnCr	KX200; KX250	10 mm - 19 mm	71 mm - 80 mm	2402524
			without anti-spin	Standard	Coarse	S-CONE C 18	18.2 MnCr	KX200; KX250	25 mm - 45 mm	179 mm - 199 mm	2615623
			without anti-spin	Standard	Medium	S-CONE M 18	18.2 MnCr	KX200; KX250	19 mm - 38 mm	138 mm - 157 mm	2615624
			without anti-spin	Standard	Fine	S-CONE F 18	18.2 MnCr	KX200; KX250	16 mm - 32 mm	116 mm - 131 mm	2615625
			without anti-spin	Short Head	Coarse	SH-CONE C 18	18.2 MnCr	KX200; KX250	13 mm - 25 mm	130 mm - 142 mm	2615626

# CRUSHING TOOLS FOR CONE CRUSHERS

CRUSHING SHELLS AND CRUSHING CONES											
Series code	Serial code	Part	Type	Crush- ing tool type	Ap- plica- tion	Ver- sion	Man- ganes- e ver- sion Con- tent	Tool type	Min- imum gap width	Feed open- ing	Part no.
MCO 9 EVO	K072	Crush- ing tools SET for cone crush- ers	without anti- spin	Short Head	Me- dium	SH- CONE M 18	18.2 MnCr	KX200; KX250	10 mm - 22 mm	99 mm - 111 mm	2615628
			without anti- spin	Short Head	Fine	SH- CONE F 18	18.2 MnCr	KX200; KX250	10 mm - 19 mm	71 mm - 80 mm	2615629
			without anti- spin	Stand- ard	Coarse	S- CONE C 20	20.3 MnCr	KX200; KX250	25 mm - 45 mm	179 mm - 199 mm	2615649
			without anti- spin	Stand- ard	Me- dium	S- CONE M 20	20.3 MnCr	KX200; KX250	19 mm - 38 mm	138 mm - 157 mm	2615650
			without anti- spin	Stand- ard	Fine	S- CONE F 20	20.3 MnCr	KX200; KX250	16 mm - 32 mm	116 mm - 131 mm	2615651
			without anti- spin	Short Head	Coarse	SH- CONE C 20	20.3 MnCr	KX200; KX250	13 mm - 25 mm	130 mm - 142 mm	2615652
			without anti- spin	Short Head	Me- dium	SH- CONE M 20	20.3 MnCr	KX200; KX250	10 mm - 22 mm	99 mm - 111 mm	2615653
			without anti- spin	Short Head	Fine	SH- CONE F 20	20.3 MnCr	KX200; KX250	10 mm - 19 mm	71 mm - 80 mm	2615654
			with anti- spin	Stand- ard	Coarse	S- CONE C 20	20.3 MnCr	KX200; KX250	25 mm - 45 mm	179 mm - 199 mm	2615695
			with anti- spin	Stand- ard	Me- dium	S- CONE M 20	20.3 MnCr	KX200; KX250	19 mm - 38 mm	138 mm - 157 mm	2615697
			with anti- spin	Stand- ard	Fine	S- CONE F 20	20.3 MnCr	KX200; KX250	16 mm - 32 mm	116 mm - 131 mm	2615699
			with anti- spin	Short Head	Coarse	SH- CONE C 20	20.3 MnCr	KX200; KX250	13 mm - 25 mm	130 mm - 142 mm	2615700



CRUSHING SHELLS AND CRUSHING CONES											
Series code	Serial code	Part	Type	Crush- ing tool type	Ap- plica- tion	Ver- sion	Man- gane- se ver- sion Con- tent	Tool type	Min- imum gap width	Feed open- ing	Part no.
MCO 9 EVO	K072	Crush- ing tools SET for cone crush- ers	with anti- spin	Short Head	Me- dium	SH- CONE M 20	20.3 MnCr	KX200; KX250	10 mm - 22 mm	99 mm - 111 mm	2615701
		crush- ing shell	with anti- spin; without anti- spin	Short Head	Coarse	SH- CONE C 18	18.2 MnCr	KX200; KX250	13 mm - 25 mm	130 mm - 142 mm	2369180
MCO 9i EVO	K073	crush- ing cone	with anti- spin; without anti- spin	Short Head	Fine; Me- dium; Coarse	SH- CONE 18	18.2 MnCr	KX200; KX250	10 mm - 25 mm	71 mm - 142 mm	2295676
			with anti- spin; without anti- spin	Stand- ard	Fine; Me- dium; Coarse	S- CONE 20	20.3 MnCr	KX200; KX250	16 mm - 45 mm	116 mm - 199 mm	2450546
			with anti- spin; without anti- spin	Short Head	Fine; Me- dium; Coarse	SH- CONE 20	20.3 MnCr	KX200; KX250	10 mm - 25 mm	71 mm - 142 mm	2599925
		with anti- spin; without anti- spin	Stand- ard	Fine; Me- dium; Coarse	S- CONE 18	18.2 MnCr	KX200; KX250	16 mm - 45 mm	116 mm - 199 mm	2295672	
		crush- ing shell	with anti- spin; without anti- spin	Short Head	Coarse	SH- CONE C 20	20.3 MnCr	KX200; KX250	13 mm - 25 mm	130 mm - 142 mm	2599957
			with anti- spin; without anti- spin	Short Head	Me- dium	SH- CONE M 18	18.2 MnCr	KX200; KX250	10 mm - 22 mm	99 mm - 111 mm	2369191

# CRUSHING TOOLS FOR CONE CRUSHERS

CRUSHING SHELLS AND CRUSHING CONES											
Series code	Serial code	Part	Type	Crushing tool type	Application	Version	Manganese version Content	Tool type	Minimum gap width	Feed opening	Part no.
MCO 9i EVO	K073	crushing shell	with anti-spin; without anti-spin	Short Head	Medium	SH-CONE M 20	20.3 MnCr	KX200; KX250	10 mm - 22 mm	99 mm - 111 mm	2599959
			with anti-spin; without anti-spin	Short Head	Fine	SH-CONE F 20	20.3 MnCr	KX200; KX250	10 mm - 19 mm	71 mm - 80 mm	2599960
			with anti-spin; without anti-spin	Short Head	Coarse	SH-CONE C 18	18.2 MnCr	KX200; KX250	13 mm - 25 mm	130 mm - 142 mm	2369180
			with anti-spin; without anti-spin	Short Head	Fine	SH-CONE F 18	18.2 MnCr	KX200; KX250	10 mm - 19 mm	71 mm - 80 mm	2369178
			with anti-spin; without anti-spin	Standard	Coarse	S-CONE C 20	20.3 MnCr	KX200; KX250	25 mm - 45 mm	179 mm - 199 mm	2450548
			with anti-spin; without anti-spin	Standard	Medium	S-CONE M 20	20.3 MnCr	KX200; KX250	19 mm - 38 mm	138 mm - 157 mm	2450550
			with anti-spin; without anti-spin	Standard	Fine	S-CONE F 20	20.3 MnCr	KX200; KX250	16 mm - 32 mm	116 mm - 131 mm	2450551
			with anti-spin; without anti-spin	Standard	Coarse	S-CONE C 18	18.2 MnCr	KX200; KX250	25 mm - 45 mm	179 mm - 199 mm	2295646





CRUSHING SHELLS AND CRUSHING CONES											
Series code	Serial code	Part	Type	Crushing tool type	Application	Version	Manganese version Content	Tool type	Minimum gap width	Feed opening	Part no.
MCO 9i EVO	K073	crushing shell	with anti-spin; without anti-spin	Standard	Medium	S-CONE M 18	18.2 MnCr	KX200; KX250	19 mm - 38 mm	138 mm - 157 mm	2295649
			with anti-spin; without anti-spin	Standard	Fine	S-CONE F 18	18.2 MnCr	KX200; KX250	16 mm - 32 mm	116 mm - 131 mm	2295652
		Crushing tools SET for cone crushers	without anti-spin	Standard	Medium	S-CONE M 18	18.2 MnCr	KX200; KX250	19 mm - 38 mm	138 mm - 157 mm	2615624
			with anti-spin	Standard	Medium	S-CONE M 18	18.2 MnCr	KX200; KX250	19 mm - 38 mm	138 mm - 157 mm	2402519
			without anti-spin	Short Head	Coarse	SH-CONE C 18	18.2 MnCr	KX200; KX250	13 mm - 25 mm	130 mm - 142 mm	2615626
			without anti-spin	Short Head	Medium	SH-CONE M 18	18.2 MnCr	KX200; KX250	10 mm - 22 mm	99 mm - 111 mm	2615628
			without anti-spin	Short Head	Fine	SH-CONE F 18	18.2 MnCr	KX200; KX250	10 mm - 19 mm	71 mm - 80 mm	2615629
			without anti-spin	Standard	Coarse	S-CONE C 20	20.3 MnCr	KX200; KX250	25 mm - 45 mm	179 mm - 199 mm	2615649
			without anti-spin	Standard	Medium	S-CONE M 20	20.3 MnCr	KX200; KX250	19 mm - 38 mm	138 mm - 157 mm	2615650
			without anti-spin	Standard	Fine	S-CONE F 20	20.3 MnCr	KX200; KX250	16 mm - 32 mm	116 mm - 131 mm	2615651
without anti-spin	Short Head	Coarse	SH-CONE C 20	20.3 MnCr	KX200; KX250	13 mm - 25 mm	130 mm - 142 mm	2615652			

# CRUSHING TOOLS FOR CONE CRUSHERS

CRUSHING SHELLS AND CRUSHING CONES											
Series code	Serial code	Part	Type	Crushing tool type	Application	Version	Manganese version Content	Tool type	Minimum gap width	Feed opening	Part no.
MCO 9i EVO	K073	Crushing tools SET for cone crushers	without anti-spin	Short Head	Medium	SH-CONE M 20	20.3 MnCr	KX200; KX250	10 mm - 22 mm	99 mm - 111 mm	2615653
			without anti-spin	Short Head	Fine	SH-CONE F 20	20.3 MnCr	KX200; KX250	10 mm - 19 mm	71 mm - 80 mm	2615654
			with anti-spin	Standard	Coarse	S-CONE C 20	20.3 MnCr	KX200; KX250	25 mm - 45 mm	179 mm - 199 mm	2615695
			with anti-spin	Standard	Medium	S-CONE M 20	20.3 MnCr	KX200; KX250	19 mm - 38 mm	138 mm - 157 mm	2615697
			with anti-spin	Standard	Fine	S-CONE F 20	20.3 MnCr	KX200; KX250	16 mm - 32 mm	116 mm - 131 mm	2615699
			with anti-spin	Short Head	Coarse	SH-CONE C 20	20.3 MnCr	KX200; KX250	13 mm - 25 mm	130 mm - 142 mm	2615700
			with anti-spin	Short Head	Medium	SH-CONE M 20	20.3 MnCr	KX200; KX250	10 mm - 22 mm	99 mm - 111 mm	2615701
			with anti-spin	Short Head	Fine	SH-CONE F 20	20.3 MnCr	KX200; KX250	10 mm - 19 mm	71 mm - 80 mm	2615704
			with anti-spin	Standard	Coarse	S-CONE C 18	18.2 MnCr	KX200; KX250	25 mm - 45 mm	179 mm - 199 mm	2402518
			without anti-spin	Standard	Coarse	S-CONE C 18	18.2 MnCr	KX200; KX250	25 mm - 45 mm	179 mm - 199 mm	2615623
			with anti-spin	Short Head	Fine	SH-CONE F 18	18.2 MnCr	KX200; KX250	10 mm - 19 mm	71 mm - 80 mm	2402524
			with anti-spin	Short Head	Medium	SH-CONE M 18	18.2 MnCr	KX200; KX250	10 mm - 22 mm	99 mm - 111 mm	2402523



CRUSHING SHELLS AND CRUSHING CONES											
Series code	Serial code	Part	Type	Crush- ing tool type	Ap- plica- tion	Ver- sion	Man- gane- se ver- sion Con- tent	Tool type	Min- imum gap width	Feed open- ing	Part no.
MCO 9i EVO	K073	Crush- ing tools SET for cone crush- ers	with anti- spin	Short Head	Coarse	SH- CONE C 18	18.2 MnCr	KX200; KX250	13 mm - 25 mm	130 mm - 142 mm	2402522
			with anti- spin	Stand- ard	Fine	S- CONE F 18	18.2 MnCr	KX200; KX250	16 mm - 32 mm	116 mm - 131 mm	2402521
			without anti- spin	Stand- ard	Fine	S- CONE F 18	18.2 MnCr	KX200; KX250	16 mm - 32 mm	116 mm - 131 mm	2615625
MCO 9 S EVO	K074	crush- ing cone	with anti- spin; without anti- spin	Short Head	Fine; Me- dium; Coarse	SH- CONE 18	18.2 MnCr	KX200; KX250	10 mm - 25 mm	71 mm - 142 mm	2295676
			with anti- spin; without anti- spin	Stand- ard	Fine; Me- dium; Coarse	S- CONE 18	18.2 MnCr	KX200; KX250	16 mm - 45 mm	116 mm - 199 mm	2295672
			with anti- spin; without anti- spin	Stand- ard	Fine; Me- dium; Coarse	S- CONE 20	20.3 MnCr	KX200; KX250	16 mm - 45 mm	116 mm - 199 mm	2450546
			with anti- spin; without anti- spin	Short Head	Fine; Me- dium; Coarse	SH- CONE 20	20.3 MnCr	KX200; KX250	10 mm - 25 mm	71 mm - 142 mm	2599925
		crush- ing shell	with anti- spin; without anti- spin	Stand- ard	Fine	S- CONE F 18	18.2 MnCr	KX200; KX250	16 mm - 32 mm	116 mm - 131 mm	2295652
			with anti- spin; without anti- spin	Stand- ard	Coarse	S- CONE C 20	20.3 MnCr	KX200; KX250	25 mm - 45 mm	179 mm - 199 mm	2450548

# CRUSHING TOOLS FOR CONE CRUSHERS

CRUSHING SHELLS AND CRUSHING CONES											
Series code	Serial code	Part	Type	Crushing tool type	Application	Version	Manganese version Content	Tool type	Minimum gap width	Feed opening	Part no.
MCO 9 S EVO	K074	crushing shell	with anti-spin; without anti-spin	Standard	Medium	S-CONE M 20	20.3 MnCr	KX200; KX250	19 mm - 38 mm	138 mm - 157 mm	2450550
			with anti-spin; without anti-spin	Standard	Fine	S-CONE F 20	20.3 MnCr	KX200; KX250	16 mm - 32 mm	116 mm - 131 mm	2450551
			with anti-spin; without anti-spin	Standard	Coarse	S-CONE C 18	18.2 MnCr	KX200; KX250	25 mm - 45 mm	179 mm - 199 mm	2295646
			with anti-spin; without anti-spin	Standard	Medium	S-CONE M 18	18.2 MnCr	KX200; KX250	19 mm - 38 mm	138 mm - 157 mm	2295649
			with anti-spin; without anti-spin	Short Head	Medium	SH-CONE M 18	18.2 MnCr	KX200; KX250	10 mm - 22 mm	99 mm - 111 mm	2369191
			with anti-spin; without anti-spin	Short Head	Coarse	SH-CONE C 18	18.2 MnCr	KX200; KX250	13 mm - 25 mm	130 mm - 142 mm	2369180
			with anti-spin; without anti-spin	Short Head	Fine	SH-CONE F 20	20.3 MnCr	KX200; KX250	10 mm - 19 mm	71 mm - 80 mm	2599960
			with anti-spin; without anti-spin	Short Head	Medium	SH-CONE M 20	20.3 MnCr	KX200; KX250	10 mm - 22 mm	99 mm - 111 mm	2599959



CRUSHING SHELLS AND CRUSHING CONES											
Series code	Serial code	Part	Type	Crush- ing tool type	Ap- plica- tion	Ver- sion	Man- gan- ese ver- sion Con- tent	Tool type	Min- imum gap width	Feed open- ing	Part no.
MCO 9 S EVO	K074	crush- ing shell	with anti-spin; without anti-spin	Short Head	Fine	SH-CONE F 18	18.2 MnCr	KX200; KX250	10 mm - 19 mm	71 mm - 80 mm	2369178
			with anti-spin; without anti-spin	Short Head	Coarse	SH-CONE C 20	20.3 MnCr	KX200; KX250	13 mm - 25 mm	130 mm - 142 mm	2599957
		Crush- ing tools SET for cone crush- ers	without anti-spin	Short Head	Me- dium	SH-CONE M 20	20.3 MnCr	KX200; KX250	10 mm - 22 mm	99 mm - 111 mm	2615653
			without anti-spin	Short Head	Fine	SH-CONE F 20	20.3 MnCr	KX200; KX250	10 mm - 19 mm	71 mm - 80 mm	2615654
			with anti-spin	Stand- ard	Coarse	S-CONE C 20	20.3 MnCr	KX200; KX250	25 mm - 45 mm	179 mm - 199 mm	2615695
			with anti-spin	Stand- ard	Me- dium	S-CONE M 20	20.3 MnCr	KX200; KX250	19 mm - 38 mm	138 mm - 157 mm	2615697
			with anti-spin	Stand- ard	Fine	S-CONE F 20	20.3 MnCr	KX200; KX250	16 mm - 32 mm	116 mm - 131 mm	2615699
			with anti-spin	Short Head	Coarse	SH-CONE C 20	20.3 MnCr	KX200; KX250	13 mm - 25 mm	130 mm - 142 mm	2615700
			with anti-spin	Short Head	Me- dium	SH-CONE M 20	20.3 MnCr	KX200; KX250	10 mm - 22 mm	99 mm - 111 mm	2615701
			without anti-spin	Short Head	Coarse	SH-CONE C 20	20.3 MnCr	KX200; KX250	13 mm - 25 mm	130 mm - 142 mm	2615652
without anti-spin	Stand- ard	Fine	S-CONE F 20	20.3 MnCr	KX200; KX250	16 mm - 32 mm	116 mm - 131 mm	2615651			

# CRUSHING TOOLS FOR CONE CRUSHERS

CRUSHING SHELLS AND CRUSHING CONES											
Series code	Serial code	Part	Type	Crush- ing tool type	Ap- plica- tion	Ver- sion	Man- gane- se ver- sion Con- tent	Tool type	Min- imum gap width	Feed open- ing	Part no.
MCO 9 S EVO	K074	Crush- ing tools SET for cone crush- ers	without anti- spin	Stand- ard	Me- dium	S- CONE M 20	20.3 MnCr	KX200; KX250	19 mm - 38 mm	138 mm - 157 mm	2615650
			without anti- spin	Stand- ard	Coarse	S- CONE C 20	20.3 MnCr	KX200; KX250	25 mm - 45 mm	179 mm - 199 mm	2615649
			without anti- spin	Short Head	Fine	SH- CONE F 18	18.2 MnCr	KX200; KX250	10 mm - 19 mm	71 mm - 80 mm	2615629
			without anti- spin	Short Head	Me- dium	SH- CONE M 18	18.2 MnCr	KX200; KX250	10 mm - 22 mm	99 mm - 111 mm	2615628
			without anti- spin	Short Head	Coarse	SH- CONE C 18	18.2 MnCr	KX200; KX250	13 mm - 25 mm	130 mm - 142 mm	2615626
			without anti- spin	Stand- ard	Fine	S- CONE F 18	18.2 MnCr	KX200; KX250	16 mm - 32 mm	116 mm - 131 mm	2615625
			without anti- spin	Stand- ard	Me- dium	S- CONE M 18	18.2 MnCr	KX200; KX250	19 mm - 38 mm	138 mm - 157 mm	2615624
			without anti- spin	Stand- ard	Coarse	S- CONE C 18	18.2 MnCr	KX200; KX250	25 mm - 45 mm	179 mm - 199 mm	2615623
			with anti- spin	Short Head	Fine	SH- CONE F 18	18.2 MnCr	KX200; KX250	10 mm - 19 mm	71 mm - 80 mm	2402524
			with anti- spin	Short Head	Me- dium	SH- CONE M 18	18.2 MnCr	KX200; KX250	10 mm - 22 mm	99 mm - 111 mm	2402523
			with anti- spin	Short Head	Fine	SH- CONE F 20	20.3 MnCr	KX200; KX250	10 mm - 19 mm	71 mm - 80 mm	2615704
			with anti- spin	Stand- ard	Fine	S- CONE F 18	18.2 MnCr	KX200; KX250	16 mm - 32 mm	116 mm - 131 mm	2402521



CRUSHING SHELLS AND CRUSHING CONES											
Series code	Serial code	Part	Type	Crushing tool type	Application	Version	Manganese version Content	Tool type	Minimum gap width	Feed opening	Part no.
MCO 9 S EVO	K074	Crushing tools SET for cone crushers	with anti-spin	Standard	Medium	S-CONE M 18	18.2 MnCr	KX200; KX250	19 mm - 38 mm	138 mm - 157 mm	2402519
			with anti-spin	Standard	Coarse	S-CONE C 18	18.2 MnCr	KX200; KX250	25 mm - 45 mm	179 mm - 199 mm	2402518
			with anti-spin	Short Head	Coarse	SH-CONE C 18	18.2 MnCr	KX200; KX250	13 mm - 25 mm	130 mm - 142 mm	2402522
MCO 9 Si EVO	K075	crushing cone	with anti-spin; without anti-spin	Standard	Fine; Medium; Coarse	S-CONE 20	20.3 MnCr	KX200; KX250	16 mm - 45 mm	116 mm - 199 mm	2450546
			with anti-spin; without anti-spin	Standard	Fine; Medium; Coarse	S-CONE 18	18.2 MnCr	KX200; KX250	16 mm - 45 mm	116 mm - 199 mm	2295672
			with anti-spin; without anti-spin	Short Head	Fine; Medium; Coarse	SH-CONE 20	20.3 MnCr	KX200; KX250	10 mm - 25 mm	71 mm - 142 mm	2599925
		with anti-spin; without anti-spin	Short Head	Fine; Medium; Coarse	SH-CONE 18	18.2 MnCr	KX200; KX250	10 mm - 25 mm	71 mm - 142 mm	2295676	
		with anti-spin; without anti-spin	Short Head	Fine	SH-CONE F 18	18.2 MnCr	KX200; KX250	10 mm - 19 mm	71 mm - 80 mm	2369178	
		with anti-spin; without anti-spin	Standard	Coarse	S-CONE C 18	18.2 MnCr	KX200; KX250	25 mm - 45 mm	179 mm - 199 mm	2295646	
		crushing shell									



# CRUSHING TOOLS FOR CONE CRUSHERS

CRUSHING SHELLS AND CRUSHING CONES											
Series code	Serial code	Part	Type	Crushing tool type	Application	Version	Manganese version Content	Tool type	Minimum gap width	Feed opening	Part no.
MCO 9 Si EVO	K075	crushing shell	with anti-spin; without anti-spin	Short Head	Medium	SH-CONE M 20	20.3 MnCr	KX200; KX250	10 mm - 22 mm	99 mm - 111 mm	2599959
			with anti-spin; without anti-spin	Short Head	Fine	SH-CONE F 20	20.3 MnCr	KX200; KX250	10 mm - 19 mm	71 mm - 80 mm	2599960
			with anti-spin; without anti-spin	Standard	Coarse	S-CONE C 20	20.3 MnCr	KX200; KX250	25 mm - 45 mm	179 mm - 199 mm	2450548
			with anti-spin; without anti-spin	Standard	Medium	S-CONE M 20	20.3 MnCr	KX200; KX250	19 mm - 38 mm	138 mm - 157 mm	2450550
			with anti-spin; without anti-spin	Standard	Fine	S-CONE F 20	20.3 MnCr	KX200; KX250	16 mm - 32 mm	116 mm - 131 mm	2450551
			with anti-spin; without anti-spin	Short Head	Medium	SH-CONE M 18	18.2 MnCr	KX200; KX250	10 mm - 22 mm	99 mm - 111 mm	2369191
			with anti-spin; without anti-spin	Standard	Fine	S-CONE F 18	18.2 MnCr	KX200; KX250	16 mm - 32 mm	116 mm - 131 mm	2295652
			with anti-spin; without anti-spin	Short Head	Coarse	SH-CONE C 18	18.2 MnCr	KX200; KX250	13 mm - 25 mm	130 mm - 142 mm	2369180





CRUSHING SHELLS AND CRUSHING CONES											
Series code	Serial code	Part	Type	Crushing tool type	Application	Version	Manganese version Content	Tool type	Minimum gap width	Feed opening	Part no.
MCO 9 Si EVO	K075	crushing shell	with anti-spin;	Standard	Medium	S-CONE M 18	18.2 MnCr	KX200; KX250	19 mm - 38 mm	138 mm - 157 mm	2295649
			without anti-spin	Short Head	Coarse	SH-CONE C 20	20.3 MnCr	KX200; KX250	13 mm - 25 mm	130 mm - 142 mm	2599957
		Crushing tools SET for cone crushers	with anti-spin	Short Head	Medium	SH-CONE M 18	18.2 MnCr	KX200; KX250	10 mm - 22 mm	99 mm - 111 mm	2402523
			with anti-spin	Short Head	Fine	SH-CONE F 18	18.2 MnCr	KX200; KX250	10 mm - 19 mm	71 mm - 80 mm	2402524
			without anti-spin	Standard	Coarse	S-CONE C 18	18.2 MnCr	KX200; KX250	25 mm - 45 mm	179 mm - 199 mm	2615623
			without anti-spin	Standard	Medium	S-CONE M 18	18.2 MnCr	KX200; KX250	19 mm - 38 mm	138 mm - 157 mm	2615624
			without anti-spin	Standard	Fine	S-CONE F 18	18.2 MnCr	KX200; KX250	16 mm - 32 mm	116 mm - 131 mm	2615625
			without anti-spin	Short Head	Coarse	SH-CONE C 18	18.2 MnCr	KX200; KX250	13 mm - 25 mm	130 mm - 142 mm	2615626
			without anti-spin	Short Head	Medium	SH-CONE M 18	18.2 MnCr	KX200; KX250	10 mm - 22 mm	99 mm - 111 mm	2615628
			with anti-spin	Short Head	Coarse	SH-CONE C 18	18.2 MnCr	KX200; KX250	13 mm - 25 mm	130 mm - 142 mm	2402522
with anti-spin	Standard	Fine	S-CONE F 18	18.2 MnCr	KX200; KX250	16 mm - 32 mm	116 mm - 131 mm	2402521			

# CRUSHING TOOLS FOR CONE CRUSHERS

CRUSHING SHELLS AND CRUSHING CONES											
Series code	Serial code	Part	Type	Crush- ing tool type	Ap- plica- tion	Ver- sion	Man- gane- se ver- sion Con- tent	Tool type	Min- imum gap width	Feed open- ing	Part no.
MCO 9 Si EVO	K075	Crush- ing tools SET for cone crush- ers	with anti- spin	Stand- ard	Me- dium	S- CONE M 18	18.2 MnCr	KX200; KX250	19 mm - 38 mm	138 mm - 157 mm	2402519
			with anti- spin	Stand- ard	Coarse	S- CONE C 18	18.2 MnCr	KX200; KX250	25 mm - 45 mm	179 mm - 199 mm	2402518
			with anti- spin	Short Head	Fine	SH- CONE F 20	20.3 MnCr	KX200; KX250	10 mm - 19 mm	71 mm - 80 mm	2615704
			without anti- spin	Short Head	Fine	SH- CONE F 18	18.2 MnCr	KX200; KX250	10 mm - 19 mm	71 mm - 80 mm	2615629
			with anti- spin	Short Head	Coarse	SH- CONE C 20	20.3 MnCr	KX200; KX250	13 mm - 25 mm	130 mm - 142 mm	2615700
			with anti- spin	Stand- ard	Fine	S- CONE F 20	20.3 MnCr	KX200; KX250	16 mm - 32 mm	116 mm - 131 mm	2615699
			with anti- spin	Stand- ard	Me- dium	S- CONE M 20	20.3 MnCr	KX200; KX250	19 mm - 38 mm	138 mm - 157 mm	2615697
			with anti- spin	Stand- ard	Coarse	S- CONE C 20	20.3 MnCr	KX200; KX250	25 mm - 45 mm	179 mm - 199 mm	2615695
			without anti- spin	Short Head	Fine	SH- CONE F 20	20.3 MnCr	KX200; KX250	10 mm - 19 mm	71 mm - 80 mm	2615654
			without anti- spin	Short Head	Me- dium	SH- CONE M 20	20.3 MnCr	KX200; KX250	10 mm - 22 mm	99 mm - 111 mm	2615653
			without anti- spin	Short Head	Coarse	SH- CONE C 20	20.3 MnCr	KX200; KX250	13 mm - 25 mm	130 mm - 142 mm	2615652
			without anti- spin	Stand- ard	Fine	S- CONE F 20	20.3 MnCr	KX200; KX250	16 mm - 32 mm	116 mm - 131 mm	2615651



CRUSHING SHELLS AND CRUSHING CONES											
Series code	Serial code	Part	Type	Crushing tool type	Application	Version	Manganese version Content	Tool type	Minimum gap width	Feed opening	Part no.
MCO 9 Si EVO	K075	Crushing tools SET for cone crushers	without anti-spin	Standard	Coarse	S-CONE C 20	20.3 MnCr	KX200; KX250	25 mm - 45 mm	179 mm - 199 mm	2615649
			without anti-spin	Standard	Medium	S-CONE M 20	20.3 MnCr	KX200; KX250	19 mm - 38 mm	138 mm - 157 mm	2615650
			with anti-spin	Short Head	Medium	SH-CONE M 20	20.3 MnCr	KX200; KX250	10 mm - 22 mm	99 mm - 111 mm	2615701
MCO 90 EVO2	K120	crushing cone	with anti-spin; without anti-spin	Standard	Fine; Medium; Coarse	S-CONE 18	18.2 MnCr	KX200; KX250	16 mm - 45 mm	116 mm - 199 mm	2295672
			with anti-spin; without anti-spin	Short Head	Fine; Medium; Coarse	SH-CONE 18	18.2 MnCr	KX200; KX250	10 mm - 25 mm	71 mm - 142 mm	2295676
			with anti-spin; without anti-spin	Standard	Fine; Medium; Coarse	S-CONE 20	20.3 MnCr	KX200; KX250	16 mm - 45 mm	116 mm - 199 mm	2450546
		crushing shell	with anti-spin; without anti-spin	Short Head	Fine; Medium; Coarse	SH-CONE 20	20.3 MnCr	KX200; KX250	10 mm - 25 mm	71 mm - 142 mm	2599925
			with anti-spin; without anti-spin	Short Head	Medium	SH-CONE M 20	20.3 MnCr	KX200; KX250	10 mm - 22 mm	99 mm - 111 mm	2599959
			with anti-spin; without anti-spin	Short Head	Coarse	SH-CONE C 20	20.3 MnCr	KX200; KX250	13 mm - 25 mm	130 mm - 142 mm	2599957



# CRUSHING TOOLS FOR CONE CRUSHERS

CRUSHING SHELLS AND CRUSHING CONES											
Series code	Serial code	Part	Type	Crushing tool type	Application	Version	Manganese version Content	Tool type	Minimum gap width	Feed opening	Part no.
MCO 90 EVO2	K120	crushing shell	with anti-spin; without anti-spin	Standard	Fine	S-CONE F 20	20.3 MnCr	KX200; KX250	16 mm - 32 mm	116 mm - 131 mm	2450551
			with anti-spin; without anti-spin	Standard	Medium	S-CONE M 20	20.3 MnCr	KX200; KX250	19 mm - 38 mm	138 mm - 157 mm	2450550
			with anti-spin; without anti-spin	Standard	Coarse	S-CONE C 20	20.3 MnCr	KX200; KX250	25 mm - 45 mm	179 mm - 199 mm	2450548
			with anti-spin; without anti-spin	Short Head	Medium	SH-CONE M 18	18.2 MnCr	KX200; KX250	10 mm - 22 mm	99 mm - 111 mm	2369191
			with anti-spin; without anti-spin	Short Head	Coarse	SH-CONE C 18	18.2 MnCr	KX200; KX250	13 mm - 25 mm	130 mm - 142 mm	2369180
			with anti-spin; without anti-spin	Short Head	Fine	SH-CONE F 20	20.3 MnCr	KX200; KX250	10 mm - 19 mm	71 mm - 80 mm	2599960
			with anti-spin; without anti-spin	Standard	Coarse	S-CONE C 18	18.2 MnCr	KX200; KX250	25 mm - 45 mm	179 mm - 199 mm	2295646
			with anti-spin; without anti-spin	Short Head	Fine	SH-CONE F 18	18.2 MnCr	KX200; KX250	10 mm - 19 mm	71 mm - 80 mm	2369178



CRUSHING SHELLS AND CRUSHING CONES											
Series code	Serial code	Part	Type	Crushing tool type	Application	Version	Manganese version Content	Tool type	Minimum gap width	Feed opening	Part no.
MCO 90 EVO2	K120	crushing shell	with anti-spin; without anti-spin	Standard	Fine	S-CONE F 18	18.2 MnCr	KX200; KX250	16 mm - 32 mm	116 mm - 131 mm	2295652
			with anti-spin; without anti-spin	Standard	Medium	S-CONE M 18	18.2 MnCr	KX200; KX250	19 mm - 38 mm	138 mm - 157 mm	2295649
		Crushing tools SET for cone crushers	without anti-spin	Short Head	Medium	SH-CONE M 20	20.3 MnCr	KX200; KX250	10 mm - 22 mm	99 mm - 111 mm	2615653
			without anti-spin	Short Head	Fine	SH-CONE F 20	20.3 MnCr	KX200; KX250	10 mm - 19 mm	71 mm - 80 mm	2615654
			with anti-spin	Standard	Coarse	S-CONE C 20	20.3 MnCr	KX200; KX250	25 mm - 45 mm	179 mm - 199 mm	2615695
			with anti-spin	Standard	Medium	S-CONE M 20	20.3 MnCr	KX200; KX250	19 mm - 38 mm	138 mm - 157 mm	2615697
			with anti-spin	Standard	Fine	S-CONE F 20	20.3 MnCr	KX200; KX250	16 mm - 32 mm	116 mm - 131 mm	2615699
			with anti-spin	Short Head	Coarse	SH-CONE C 20	20.3 MnCr	KX200; KX250	13 mm - 25 mm	130 mm - 142 mm	2615700
			with anti-spin	Short Head	Medium	SH-CONE M 20	20.3 MnCr	KX200; KX250	10 mm - 22 mm	99 mm - 111 mm	2615701
			without anti-spin	Short Head	Coarse	SH-CONE C 20	20.3 MnCr	KX200; KX250	13 mm - 25 mm	130 mm - 142 mm	2615652
without anti-spin	Standard	Fine	S-CONE F 20	20.3 MnCr	KX200; KX250	16 mm - 32 mm	116 mm - 131 mm	2615651			

# CRUSHING TOOLS FOR CONE CRUSHERS

CRUSHING SHELLS AND CRUSHING CONES											
Series code	Serial code	Part	Type	Crush- ing tool type	Ap- plica- tion	Ver- sion	Man- gane- se ver- sion Con- tent	Tool type	Min- imum gap width	Feed open- ing	Part no.
MCO 90 EVO2	K120	Crush- ing tools SET for cone crush- ers	without anti- spin	Stand- ard	Me- dium	S- CONE M 20	20.3 MnCr	KX200; KX250	19 mm - 38 mm	138 mm - 157 mm	2615650
			without anti- spin	Stand- ard	Coarse	S- CONE C 20	20.3 MnCr	KX200; KX250	25 mm - 45 mm	179 mm - 199 mm	2615649
			without anti- spin	Short Head	Fine	SH- CONE F 18	18.2 MnCr	KX200; KX250	10 mm - 19 mm	71 mm - 80 mm	2615629
			without anti- spin	Short Head	Me- dium	SH- CONE M 18	18.2 MnCr	KX200; KX250	10 mm - 22 mm	99 mm - 111 mm	2615628
			without anti- spin	Short Head	Coarse	SH- CONE C 18	18.2 MnCr	KX200; KX250	13 mm - 25 mm	130 mm - 142 mm	2615626
			without anti- spin	Stand- ard	Fine	S- CONE F 18	18.2 MnCr	KX200; KX250	16 mm - 32 mm	116 mm - 131 mm	2615625
			without anti- spin	Stand- ard	Me- dium	S- CONE M 18	18.2 MnCr	KX200; KX250	19 mm - 38 mm	138 mm - 157 mm	2615624
			without anti- spin	Stand- ard	Coarse	S- CONE C 18	18.2 MnCr	KX200; KX250	25 mm - 45 mm	179 mm - 199 mm	2615623
			with anti- spin	Short Head	Fine	SH- CONE F 18	18.2 MnCr	KX200; KX250	10 mm - 19 mm	71 mm - 80 mm	2402524
			with anti- spin	Short Head	Me- dium	SH- CONE M 18	18.2 MnCr	KX200; KX250	10 mm - 22 mm	99 mm - 111 mm	2402523
			with anti- spin	Short Head	Fine	SH- CONE F 20	20.3 MnCr	KX200; KX250	10 mm - 19 mm	71 mm - 80 mm	2615704
			with anti- spin	Stand- ard	Fine	S- CONE F 18	18.2 MnCr	KX200; KX250	16 mm - 32 mm	116 mm - 131 mm	2402521



CRUSHING SHELLS AND CRUSHING CONES											
Series code	Serial code	Part	Type	Crushing tool type	Application	Version	Manganese version Content	Tool type	Minimum gap width	Feed opening	Part no.
MCO 90 EVO2	K120	Crushing tools SET for cone crushers	with anti-spin	Standard	Medium	S-CONE M 18	18.2 MnCr	KX200; KX250	19 mm - 38 mm	138 mm - 157 mm	2402519
			with anti-spin	Standard	Coarse	S-CONE C 18	18.2 MnCr	KX200; KX250	25 mm - 45 mm	179 mm - 199 mm	2402518
			with anti-spin	Short Head	Coarse	SH-CONE C 18	18.2 MnCr	KX200; KX250	13 mm - 25 mm	130 mm - 142 mm	2402522
MCO 90i EVO2	K121	crushing cone	with anti-spin; without anti-spin	Standard	Fine; Medium; Coarse	S-CONE 20	20.3 MnCr	KX200; KX250	16 mm - 45 mm	116 mm - 199 mm	2450546
			with anti-spin; without anti-spin	Short Head	Fine; Medium; Coarse	SH-CONE 18	18.2 MnCr	KX200; KX250	10 mm - 25 mm	71 mm - 142 mm	2295676
			with anti-spin; without anti-spin	Standard	Fine; Medium; Coarse	S-CONE 18	18.2 MnCr	KX200; KX250	16 mm - 45 mm	116 mm - 199 mm	2295672
		with anti-spin; without anti-spin	Short Head	Fine; Medium; Coarse	SH-CONE 20	20.3 MnCr	KX200; KX250	10 mm - 25 mm	71 mm - 142 mm	2599925	
		crushing shell	with anti-spin; without anti-spin	Short Head	Coarse	SH-CONE C 18	18.2 MnCr	KX200; KX250	13 mm - 25 mm	130 mm - 142 mm	2369180
			with anti-spin; without anti-spin	Short Head	Medium	SH-CONE M 18	18.2 MnCr	KX200; KX250	10 mm - 22 mm	99 mm - 111 mm	2369191

# CRUSHING TOOLS FOR CONE CRUSHERS

CRUSHING SHELLS AND CRUSHING CONES											
Series code	Serial code	Part	Type	Crushing tool type	Application	Version	Manganese version Content	Tool type	Minimum gap width	Feed opening	Part no.
MCO 90i EVO2	K121	crushing shell	with anti-spin; without anti-spin	Standard	Coarse	S-CONE C 20	20.3 MnCr	KX200; KX250	25 mm - 45 mm	179 mm - 199 mm	2450548
			with anti-spin; without anti-spin	Standard	Medium	S-CONE M 20	20.3 MnCr	KX200; KX250	19 mm - 38 mm	138 mm - 157 mm	2450550
			with anti-spin; without anti-spin	Standard	Fine	S-CONE F 20	20.3 MnCr	KX200; KX250	16 mm - 32 mm	116 mm - 131 mm	2450551
			with anti-spin; without anti-spin	Short Head	Coarse	SH-CONE C 20	20.3 MnCr	KX200; KX250	13 mm - 25 mm	130 mm - 142 mm	2599957
			with anti-spin; without anti-spin	Short Head	Medium	SH-CONE M 20	20.3 MnCr	KX200; KX250	10 mm - 22 mm	99 mm - 111 mm	2599959
			with anti-spin; without anti-spin	Short Head	Fine	SH-CONE F 20	20.3 MnCr	KX200; KX250	10 mm - 19 mm	71 mm - 80 mm	2599960
			with anti-spin; without anti-spin	Standard	Fine	S-CONE F 18	18.2 MnCr	KX200; KX250	16 mm - 32 mm	116 mm - 131 mm	2295652
			with anti-spin; without anti-spin	Standard	Medium	S-CONE M 18	18.2 MnCr	KX200; KX250	19 mm - 38 mm	138 mm - 157 mm	2295649





CRUSHING SHELLS AND CRUSHING CONES											
Series code	Serial code	Part	Type	Crush- ing tool type	Ap- plica- tion	Ver- sion	Man- gan- ese ver- sion Con- tent	Tool type	Min- imum gap width	Feed open- ing	Part no.
MCO 90i EVO2	K121	crush- ing shell	with anti-spin; without anti-spin	Stand- ard	Coarse	S- CONE C 18	18.2 MnCr	KX200; KX250	25 mm - 45 mm	179 mm - 199 mm	2295646
			with anti-spin; without anti-spin	Short Head	Fine	SH- CONE F 18	18.2 MnCr	KX200; KX250	10 mm - 19 mm	71 mm - 80 mm	2369178
		Crush- ing tools SET for cone crush- ers	with anti-spin	Stand- ard	Coarse	S- CONE C 18	18.2 MnCr	KX200; KX250	25 mm - 45 mm	179 mm - 199 mm	2402518
			with anti-spin	Stand- ard	Fine	S- CONE F 18	18.2 MnCr	KX200; KX250	16 mm - 32 mm	116 mm - 131 mm	2402521
			with anti-spin	Short Head	Coarse	SH- CONE C 18	18.2 MnCr	KX200; KX250	13 mm - 25 mm	130 mm - 142 mm	2402522
			with anti-spin	Short Head	Me- dium	SH- CONE M 18	18.2 MnCr	KX200; KX250	10 mm - 22 mm	99 mm - 111 mm	2402523
			with anti-spin	Short Head	Fine	SH- CONE F 18	18.2 MnCr	KX200; KX250	10 mm - 19 mm	71 mm - 80 mm	2402524
			without anti-spin	Stand- ard	Coarse	S- CONE C 18	18.2 MnCr	KX200; KX250	25 mm - 45 mm	179 mm - 199 mm	2615623
			without anti-spin	Stand- ard	Me- dium	S- CONE M 18	18.2 MnCr	KX200; KX250	19 mm - 38 mm	138 mm - 157 mm	2615624
			without anti-spin	Stand- ard	Fine	S- CONE F 18	18.2 MnCr	KX200; KX250	16 mm - 32 mm	116 mm - 131 mm	2615625
without anti-spin	Short Head	Coarse	SH- CONE C 18	18.2 MnCr	KX200; KX250	13 mm - 25 mm	130 mm - 142 mm	2615626			



# CRUSHING TOOLS FOR CONE CRUSHERS

CRUSHING SHELLS AND CRUSHING CONES											
Series code	Serial code	Part	Type	Crushing tool type	Application	Version	Manganese version Content	Tool type	Minimum gap width	Feed opening	Part no.
MCO 90i EVO2	K121	Crushing tools SET for cone crushers	without anti-spin	Short Head	Medium	SH-CONE M 18	18.2 MnCr	KX200; KX250	10 mm - 22 mm	99 mm - 111 mm	2615628
			without anti-spin	Short Head	Fine	SH-CONE F 18	18.2 MnCr	KX200; KX250	10 mm - 19 mm	71 mm - 80 mm	2615629
			without anti-spin	Standard	Coarse	S-CONE C 20	20.3 MnCr	KX200; KX250	25 mm - 45 mm	179 mm - 199 mm	2615649
			without anti-spin	Standard	Medium	S-CONE M 20	20.3 MnCr	KX200; KX250	19 mm - 38 mm	138 mm - 157 mm	2615650
			without anti-spin	Standard	Fine	S-CONE F 20	20.3 MnCr	KX200; KX250	16 mm - 32 mm	116 mm - 131 mm	2615651
			without anti-spin	Short Head	Coarse	SH-CONE C 20	20.3 MnCr	KX200; KX250	13 mm - 25 mm	130 mm - 142 mm	2615652
			without anti-spin	Short Head	Medium	SH-CONE M 20	20.3 MnCr	KX200; KX250	10 mm - 22 mm	99 mm - 111 mm	2615653
			without anti-spin	Short Head	Fine	SH-CONE F 20	20.3 MnCr	KX200; KX250	10 mm - 19 mm	71 mm - 80 mm	2615654
			with anti-spin	Standard	Coarse	S-CONE C 20	20.3 MnCr	KX200; KX250	25 mm - 45 mm	179 mm - 199 mm	2615695
			with anti-spin	Standard	Medium	S-CONE M 20	20.3 MnCr	KX200; KX250	19 mm - 38 mm	138 mm - 157 mm	2615697
			with anti-spin	Standard	Fine	S-CONE F 20	20.3 MnCr	KX200; KX250	16 mm - 32 mm	116 mm - 131 mm	2615699
			with anti-spin	Short Head	Coarse	SH-CONE C 20	20.3 MnCr	KX200; KX250	13 mm - 25 mm	130 mm - 142 mm	2615700



CRUSHING SHELLS AND CRUSHING CONES											
Series code	Serial code	Part	Type	Crushing tool type	Application	Version	Manganese version Content	Tool type	Minimum gap width	Feed opening	Part no.
MCO 90i EVO2	K121	Crushing tools SET for cone crushers	with anti-spin	Short Head	Medium	SH-CONE M 20	20.3 MnCr	KX200; KX250	10 mm - 22 mm	99 mm - 111 mm	2615701
			with anti-spin	Short Head	Fine	SH-CONE F 20	20.3 MnCr	KX200; KX250	10 mm - 19 mm	71 mm - 80 mm	2615704
			with anti-spin	Standard	Medium	S-CONE M 18	18.2 MnCr	KX200; KX250	19 mm - 38 mm	138 mm - 157 mm	2402519
MCO 11	K038	crushing cone	with anti-spin	Standard	Fine; Medium; Coarse	S-CONE 18	18.2 MnCr	KX300	16 mm - 45 mm	131 mm - 240 mm	2272901
			with anti-spin	Short Head	Fine; Medium; Coarse	SH-CONE 18	18.2 MnCr	KX300	10 mm - 25 mm	52 mm - 114 mm	2272900
		crushing shell	with anti-spin; without anti-spin	Standard	Medium	S-CONE M 18	18.2 MnCr	KX300	19 mm - 38 mm	173 mm - 190 mm	2272893
			with anti-spin	Short Head	Coarse	SH-CONE C 18	18.2 MnCr	KX300	13 mm - 25 mm	102 mm - 114 mm	2272897
			with anti-spin; without anti-spin	Standard	Coarse	S-CONE C 18	18.2 MnCr	KX300	25 mm - 45 mm	220 mm - 240 mm	2272894
			with anti-spin	Short Head	Fine	SH-CONE F 18	18.2 MnCr	KX300	10 mm - 19 mm	52 mm - 62 mm	2272889
			with anti-spin	Short Head	Medium	SH-CONE M 18	18.2 MnCr	KX300	10 mm - 22 mm	81 mm - 93 mm	2272890
			with anti-spin	Standard	Fine	S-CONE F 18	18.2 MnCr	KX300	16 mm - 32 mm	131 mm - 147 mm	2272891

# CRUSHING TOOLS FOR CONE CRUSHERS

CRUSHING SHELLS AND CRUSHING CONES											
Series code	Serial code	Part	Type	Crush- ing tool type	Ap- plica- tion	Ver- sion	Man- gane- se ver- sion Con- tent	Tool type	Min- imum gap width	Feed open- ing	Part no.
MCO 11	K038	Crush- ing tools SET for cone crush- ers	with anti- spin	Short Head	Fine	SH- CONE F 18	18.2 MnCr	KX300	10 mm - 19 mm	52 mm - 62 mm	2402538
			with anti- spin	Stand- ard	Fine	S- CONE F 18	18.2 MnCr	KX300	16 mm - 32 mm	131 mm - 147 mm	2402535
			with anti- spin	Stand- ard	Me- dium	S- CONE M 18	18.2 MnCr	KX300	19 mm - 38 mm	173 mm - 190 mm	2402534
			with anti- spin	Stand- ard	Coarse	S- CONE C 18	18.2 MnCr	KX300	25 mm - 45 mm	220 mm - 240 mm	2402532
			with anti- spin	Short Head	Me- dium	SH- CONE M 18	18.2 MnCr	KX300	10 mm - 22 mm	81 mm - 93 mm	2402537
			with anti- spin	Short Head	Coarse	SH- CONE C 18	18.2 MnCr	KX300	13 mm - 25 mm	102 mm - 114 mm	2402536
MCO 11 SX	K041	crush- ing cone	with anti- spin	Short Head	Fine; Me- dium; Coarse	SH- CONE 18	18.2 MnCr	KX300	10 mm - 25 mm	52 mm - 114 mm	2272900
			with anti- spin	Stand- ard	Fine; Me- dium; Coarse	S- CONE 18	18.2 MnCr	KX300	16 mm - 45 mm	131 mm - 240 mm	2272901
		crush- ing shell	with anti- spin	Short Head	Me- dium	SH- CONE M 18	18.2 MnCr	KX300	10 mm - 22 mm	81 mm - 93 mm	2272890
			with anti- spin	Short Head	Coarse	SH- CONE C 18	18.2 MnCr	KX300	13 mm - 25 mm	102 mm - 114 mm	2272897
			with anti- spin	Short Head	Fine	SH- CONE F 18	18.2 MnCr	KX300	10 mm - 19 mm	52 mm - 62 mm	2272889
			with anti- spin; without anti- spin	Stand- ard	Coarse	S- CONE C 18	18.2 MnCr	KX300	25 mm - 45 mm	220 mm - 240 mm	2272894



CRUSHING SHELLS AND CRUSHING CONES											
Series code	Serial code	Part	Type	Crushing tool type	Application	Version	Manganese version Content	Tool type	Minimum gap width	Feed opening	Part no.
MCO 11 SX	K041	crushing shell	with anti-spin	Standard	Fine	S-CONE F 18	18.2 MnCr	KX300	16 mm - 32 mm	131 mm - 147 mm	2272891
			with anti-spin; without anti-spin	Standard	Medium	S-CONE M 18	18.2 MnCr	KX300	19 mm - 38 mm	173 mm - 190 mm	2272893
		Crushing tools SET for cone crushers	with anti-spin	Standard	Coarse	S-CONE C 18	18.2 MnCr	KX300	25 mm - 45 mm	220 mm - 240 mm	2402532
			with anti-spin	Standard	Medium	S-CONE M 18	18.2 MnCr	KX300	19 mm - 38 mm	173 mm - 190 mm	2402534
			with anti-spin	Short Head	Medium	SH-CONE M 18	18.2 MnCr	KX300	10 mm - 22 mm	81 mm - 93 mm	2402537
			with anti-spin	Short Head	Coarse	SH-CONE C 18	18.2 MnCr	KX300	13 mm - 25 mm	102 mm - 114 mm	2402536
			with anti-spin	Standard	Fine	S-CONE F 18	18.2 MnCr	KX300	16 mm - 32 mm	131 mm - 147 mm	2402535
			with anti-spin	Short Head	Fine	SH-CONE F 18	18.2 MnCr	KX300	10 mm - 19 mm	52 mm - 62 mm	2402538
MCO 110 PRO	K110	crushing cone	without anti-spin	Short Head	Fine; Medium; Coarse	SH-CONE 20	20.3 MnCr	KX350	10 mm - 25 mm	52 mm - 114 mm	2566560
			without anti-spin	Short Head	Fine; Medium; Coarse	SH-CONE 18	18.2 MnCr	KX350	10 mm - 25 mm	52 mm - 114 mm	2462298
			without anti-spin; without anti-spin	Standard	Fine; Medium; Coarse	S-CONE 18	18.2 MnCr	KX350	16 mm - 45 mm	131 mm - 240 mm	2461750

# CRUSHING TOOLS FOR CONE CRUSHERS

CRUSHING SHELLS AND CRUSHING CONES											
Series code	Serial code	Part	Type	Crush- ing tool type	Ap- plica- tion	Ver- sion	Man- gane- se ver- sion Con- tent	Tool type	Min- imum gap width	Feed open- ing	Part no.
MCO 110 PRO	K110	crush- ing cone	without anti- spin	Stand- ard	Fine; Me- dium; Coarse	S- CONE 20	20.3 MnCr	KX350	16 mm - 45 mm	131 mm - 240 mm	2566558
		crush- ing shell	without anti- spin	Stand- ard	Fine	S- CONE F 20	20.3 MnCr	KX350	16 mm - 32 mm	131 mm - 147 mm	2566553
			without anti- spin	Stand- ard	Me- dium	S- CONE M 20	20.3 MnCr	KX350	19 mm - 38 mm	173 mm - 190 mm	2566480
			without anti- spin	Stand- ard	Coarse	S- CONE C 20	20.3 MnCr	KX350	25 mm - 45 mm	220 mm - 240 mm	2566446
			without anti- spin	Short Head	Fine	SH- CONE F 18	18.2 MnCr	KX350	10 mm - 19 mm	52 mm - 62 mm	2487609
			without anti- spin	Short Head	Me- dium	SH- CONE M 18	18.2 MnCr	KX350	10 mm - 22 mm	81 mm - 93 mm	2487664
			without anti- spin	Short Head	Coarse	SH- CONE C 18	18.2 MnCr	KX350	13 mm - 25 mm	102 mm - 114 mm	2462422
			without anti- spin	Stand- ard	Coarse	S- CONE C 18	18.2 MnCr	KX350	25 mm - 45 mm	220 mm - 240 mm	2461748
			without anti- spin	Stand- ard	Me- dium	S- CONE M 18	18.2 MnCr	KX350	19 mm - 38 mm	173 mm - 190 mm	2462360
			without anti- spin	Stand- ard	Fine	S- CONE F 18	18.2 MnCr	KX350	16 mm - 32 mm	131 mm - 147 mm	2487691
			without anti- spin	Short Head	Fine	SH- CONE F 20	20.3 MnCr	KX350	10 mm - 19 mm	52 mm - 62 mm	2566556
			without anti- spin	Short Head	Coarse	SH- CONE C 20	20.3 MnCr	KX350	13 mm - 25 mm	102 mm - 114 mm	2566554



CRUSHING SHELLS AND CRUSHING CONES											
Series code	Serial code	Part	Type	Crushing tool type	Application	Version	Manganese version Content	Tool type	Minimum gap width	Feed opening	Part no.
MCO 110 PRO	K110	crushing shell	without anti-spin	Short Head	Medium	SH-CONE M 20	20.3 MnCr	KX350	10 mm - 22 mm	81 mm - 93 mm	2566555
			without anti-spin	Standard	Coarse	S-CONE C 18	18.2 MnCr	KX350	25 mm - 45 mm	220 mm - 240 mm	2531630
			without anti-spin	Standard	Medium	S-CONE M 18	18.2 MnCr	KX350	19 mm - 38 mm	173 mm - 190 mm	2531635
			without anti-spin	Standard	Fine	S-CONE F 18	18.2 MnCr	KX350	16 mm - 32 mm	131 mm - 147 mm	2531636
			without anti-spin	Short Head	Coarse	SH-CONE C 18	18.2 MnCr	KX350	13 mm - 25 mm	102 mm - 114 mm	2531637
			without anti-spin	Short Head	Medium	SH-CONE M 18	18.2 MnCr	KX350	10 mm - 22 mm	81 mm - 93 mm	2531639
			without anti-spin	Standard	Coarse	S-CONE C 20	20.3 MnCr	KX350	25 mm - 45 mm	220 mm - 240 mm	2572391
			without anti-spin	Short Head	Fine	SH-CONE F 20	20.3 MnCr	KX350	10 mm - 19 mm	52 mm - 62 mm	2572385
			without anti-spin	Short Head	Medium	SH-CONE M 20	20.3 MnCr	KX350	10 mm - 22 mm	81 mm - 93 mm	2572386
			without anti-spin	Short Head	Coarse	SH-CONE C 20	20.3 MnCr	KX350	13 mm - 25 mm	102 mm - 114 mm	2572388
			without anti-spin	Standard	Medium	S-CONE M 20	20.3 MnCr	KX350	19 mm - 38 mm	173 mm - 190 mm	2572390
			without anti-spin	Standard	Fine	S-CONE F 20	20.3 MnCr	KX350	16 mm - 32 mm	131 mm - 147 mm	2572389

# CRUSHING TOOLS FOR CONE CRUSHERS

CRUSHING SHELLS AND CRUSHING CONES											
Series code	Serial code	Part	Type	Crushing tool type	Application	Version	Manganese version Content	Tool type	Minimum gap width	Feed opening	Part no.
MCO 110 PRO	K110	Crushing tools SET for cone crushers	without anti-spin	Short Head	Fine	SH-CONE F 18	18.2 MnCr	KX350	10 mm - 19 mm	52 mm - 62 mm	2531640
MCO 110i PRO	K111	crushing cone	without anti-spin	Short Head	Fine; Medium; Coarse	SH-CONE 18	18.2 MnCr	KX350	10 mm - 25 mm	52 mm - 114 mm	2462298
			without anti-spin	Short Head	Fine; Medium; Coarse	SH-CONE 20	20.3 MnCr	KX350	10 mm - 25 mm	52 mm - 114 mm	2566560
			without anti-spin; without anti-spin	Standard	Fine; Medium; Coarse	S-CONE 18	18.2 MnCr	KX350	16 mm - 45 mm	131 mm - 240 mm	2461750
			without anti-spin	Standard	Fine; Medium; Coarse	S-CONE 20	20.3 MnCr	KX350	16 mm - 45 mm	131 mm - 240 mm	2566558
		crushing shell	without anti-spin	Short Head	Medium	SH-CONE M 18	18.2 MnCr	KX350	10 mm - 22 mm	81 mm - 93 mm	2487664
			without anti-spin	Short Head	Coarse	SH-CONE C 18	18.2 MnCr	KX350	13 mm - 25 mm	102 mm - 114 mm	2462422
			without anti-spin	Standard	Fine	S-CONE F 20	20.3 MnCr	KX350	16 mm - 32 mm	131 mm - 147 mm	2566553
			without anti-spin	Standard	Medium	S-CONE M 20	20.3 MnCr	KX350	19 mm - 38 mm	173 mm - 190 mm	2566480
			without anti-spin	Standard	Coarse	S-CONE C 20	20.3 MnCr	KX350	25 mm - 45 mm	220 mm - 240 mm	2566446
			without anti-spin	Short Head	Fine	SH-CONE F 20	20.3 MnCr	KX350	10 mm - 19 mm	52 mm - 62 mm	2566556





CRUSHING SHELLS AND CRUSHING CONES											
Series code	Serial code	Part	Type	Crushing tool type	Application	Version	Manganese version Content	Tool type	Minimum gap width	Feed opening	Part no.
MCO 110i PRO	K111	crushing shell	without anti-spin	Short Head	Medium	SH-CONE M 20	20.3 MnCr	KX350	10 mm - 22 mm	81 mm - 93 mm	2566555
			without anti-spin	Short Head	Coarse	SH-CONE C 20	20.3 MnCr	KX350	13 mm - 25 mm	102 mm - 114 mm	2566554
			without anti-spin	Short Head	Fine	SH-CONE F 18	18.2 MnCr	KX350	10 mm - 19 mm	52 mm - 62 mm	2487609
			without anti-spin	Standard	Coarse	S-CONE C 18	18.2 MnCr	KX350	25 mm - 45 mm	220 mm - 240 mm	2461748
			without anti-spin	Standard	Medium	S-CONE M 18	18.2 MnCr	KX350	19 mm - 38 mm	173 mm - 190 mm	2462360
			without anti-spin	Standard	Fine	S-CONE F 18	18.2 MnCr	KX350	16 mm - 32 mm	131 mm - 147 mm	2487691
		Crushing tools SET for cone crushers	without anti-spin	Standard	Coarse	S-CONE C 18	18.2 MnCr	KX350	25 mm - 45 mm	220 mm - 240 mm	2531630
			without anti-spin	Standard	Medium	S-CONE M 18	18.2 MnCr	KX350	19 mm - 38 mm	173 mm - 190 mm	2531635
			without anti-spin	Standard	Fine	S-CONE F 18	18.2 MnCr	KX350	16 mm - 32 mm	131 mm - 147 mm	2531636
			without anti-spin	Short Head	Coarse	SH-CONE C 18	18.2 MnCr	KX350	13 mm - 25 mm	102 mm - 114 mm	2531637
			without anti-spin	Short Head	Medium	SH-CONE M 18	18.2 MnCr	KX350	10 mm - 22 mm	81 mm - 93 mm	2531639
			without anti-spin	Standard	Coarse	S-CONE C 20	20.3 MnCr	KX350	25 mm - 45 mm	220 mm - 240 mm	2572391

# CRUSHING TOOLS FOR CONE CRUSHERS

CRUSHING SHELLS AND CRUSHING CONES											
Series code	Serial code	Part	Type	Crushing tool type	Application	Version	Manganese version Content	Tool type	Minimum gap width	Feed opening	Part no.
MCO 110i PRO	K111	Crushing tools SET for cone crushers	without anti-spin	Short Head	Fine	SH-CONE F 20	20.3 MnCr	KX350	10 mm - 19 mm	52 mm - 62 mm	2572385
			without anti-spin	Short Head	Medium	SH-CONE M 20	20.3 MnCr	KX350	10 mm - 22 mm	81 mm - 93 mm	2572386
			without anti-spin	Short Head	Coarse	SH-CONE C 20	20.3 MnCr	KX350	13 mm - 25 mm	102 mm - 114 mm	2572388
			without anti-spin	Standard	Fine	S-CONE F 20	20.3 MnCr	KX350	16 mm - 32 mm	131 mm - 147 mm	2572389
			without anti-spin	Standard	Medium	S-CONE M 20	20.3 MnCr	KX350	19 mm - 38 mm	173 mm - 190 mm	2572390
			without anti-spin	Short Head	Fine	SH-CONE F 18	18.2 MnCr	KX350	10 mm - 19 mm	52 mm - 62 mm	2531640
MCO 110S PRO	K064	crushing cone	with anti-spin	Standard	Fine; Medium; Coarse	S-CONE 18	18.2 MnCr	KX300	16 mm - 45 mm	131 mm - 240 mm	2272901
			with anti-spin	Short Head	Fine; Medium; Coarse	SH-CONE 18	18.2 MnCr	KX300	10 mm - 25 mm	52 mm - 114 mm	2272900
		crushing shell	with anti-spin	Short Head	Coarse	SH-CONE C 18	18.2 MnCr	KX300	13 mm - 25 mm	102 mm - 114 mm	2272897
			with anti-spin	Standard	Fine	S-CONE F 18	18.2 MnCr	KX300	16 mm - 32 mm	131 mm - 147 mm	2272891
			with anti-spin	Short Head	Medium	SH-CONE M 18	18.2 MnCr	KX300	10 mm - 22 mm	81 mm - 93 mm	2272890
			with anti-spin	Short Head	Fine	SH-CONE F 18	18.2 MnCr	KX300	10 mm - 19 mm	52 mm - 62 mm	2272889



CRUSHING SHELLS AND CRUSHING CONES													
Series code	Serial code	Part	Type	Crushing tool type	Application	Version	Manganese version Content	Tool type	Minimum gap width	Feed opening	Part no.		
MCO 110S PRO	K064	crushing shell	with anti-spin; without anti-spin	Standard	Medium	S-CONE M 18	18.2 MnCr	KX300	19 mm - 38 mm	173 mm - 190 mm	2272893		
			with anti-spin; without anti-spin	Standard	Coarse	S-CONE C 18	18.2 MnCr	KX300	25 mm - 45 mm	220 mm - 240 mm	2272894		
		Crushing tools SET for cone crushers	with anti-spin	Standard	Coarse	S-CONE C 18	18.2 MnCr	KX300	25 mm - 45 mm	220 mm - 240 mm	2402532		
			with anti-spin	Standard	Medium	S-CONE M 18	18.2 MnCr	KX300	19 mm - 38 mm	173 mm - 190 mm	2402534		
			with anti-spin	Short Head	Medium	SH-CONE M 18	18.2 MnCr	KX300	10 mm - 22 mm	81 mm - 93 mm	2402537		
			with anti-spin	Short Head	Coarse	SH-CONE C 18	18.2 MnCr	KX300	13 mm - 25 mm	102 mm - 114 mm	2402536		
			with anti-spin	Standard	Fine	S-CONE F 18	18.2 MnCr	KX300	16 mm - 32 mm	131 mm - 147 mm	2402535		
			with anti-spin	Short Head	Fine	SH-CONE F 18	18.2 MnCr	KX300	10 mm - 19 mm	52 mm - 62 mm	2402538		
		MCO 130 PRO	K042	crushing cone	with anti-spin	Standard	Fine; Medium; Coarse	S-CONE 18	18.2 MnCr	KX400	16 mm - 32 mm	152 mm - 329 mm	2269083
					with anti-spin	Short Head	Fine; Medium; Coarse	SH-CONE 18	18.2 MnCr	KX400	10 mm - 25 mm	62 mm - 132 mm	2268993
without anti-spin	Short Head				Fine; Medium; Coarse	SH-CONE 20	20.3 MnCr	KX400	10 mm - 25 mm	62 mm - 132 mm	2359122		

# CRUSHING TOOLS FOR CONE CRUSHERS

CRUSHING SHELLS AND CRUSHING CONES											
Series code	Serial code	Part	Type	Crush- ing tool type	Ap- plica- tion	Ver- sion	Man- gane- se ver- sion Con- tent	Tool type	Min- imum gap width	Feed open- ing	Part no.
MCO 130 PRO	K042	crush- ing cone	without anti- spin	Stand- ard	Fine; Me- dium; Coarse	S- CONE 20	20.3 MnCr	KX400	16 mm - 32 mm	152 mm - 329 mm	2359123
		crush- ing shell	with anti- spin	Stand- ard	Coarse	S- CONE C 18	18.2 MnCr	KX400	25 mm - 45 mm	320 mm - 329 mm	2268981
			without anti- spin	Stand- ard	Fine	S- CONE F 20	20.3 MnCr	KX400	16 mm - 32 mm	152 mm - 169 mm	2359127
			without anti- spin	Stand- ard	Me- dium	S- CONE M 20	20.3 MnCr	KX400	22 mm - 45 mm	228 mm - 251 mm	2359126
			without anti- spin	Stand- ard	Coarse	S- CONE C 20	20.3 MnCr	KX400	25 mm - 45 mm	320 mm - 329 mm	2359124
			with anti- spin; without anti- spin	Stand- ard	Me- dium	S- CONE M 18	18.2 MnCr	KX400	22 mm - 45 mm	228 mm - 251 mm	2268979
			with anti- spin; without anti- spin	Stand- ard	Fine	S- CONE F 18	18.2 MnCr	KX400	16 mm - 32 mm	152 mm - 169 mm	2268977
			without anti- spin	Stand- ard	Coarse	S- CONE C 18	18.2 MnCr	KX400	25 mm - 45 mm	320 mm - 329 mm	M10022297
			without anti- spin	Short Head	Fine	SH- CONE F 20	20.3 MnCr	KX400	10 mm - 19 mm	62 mm - 73 mm	2359130
			with anti- spin	Short Head	Coarse	SH- CONE C 18	18.2 MnCr	KX400	13 mm - 25 mm	119 mm - 132 mm	2268971
			without anti- spin	Short Head	Me- dium	SH- CONE M 20	20.3 MnCr	KX350	10 mm - 22 mm	81 mm - 93 mm	2566555



CRUSHING SHELLS AND CRUSHING CONES											
Series code	Serial code	Part	Type	Crushing tool type	Application	Version	Manganese version Content	Tool type	Minimum gap width	Feed opening	Part no.
MCO 130 PRO	K042	crushing shell	without anti-spin	Short Head	Coarse	SH-CONE C 20	20.3 MnCr	KX350	13 mm - 25 mm	102 mm - 114 mm	2566554
			with anti-spin	Short Head	Medium	SH-CONE M 18	18.2 MnCr	KX400	10 mm - 22 mm	74 mm - 87 mm	2268968
			with anti-spin	Short Head	Fine	SH-CONE F 18	18.2 MnCr	KX400	10 mm - 19 mm	62 mm - 73 mm	2268967
		Crushing tools SET for cone crushers	without anti-spin	Standard	Medium	S-CONE M 20	20.3 MnCr	KX350	19 mm - 38 mm	173 mm - 190 mm	2572390
			without anti-spin	Standard	Fine	S-CONE F 20	20.3 MnCr	KX350	16 mm - 32 mm	131 mm - 147 mm	2572389
			without anti-spin	Short Head	Medium	SH-CONE M 20	20.3 MnCr	KX350	10 mm - 22 mm	81 mm - 93 mm	2572386
			without anti-spin	Short Head	Fine	SH-CONE F 20	20.3 MnCr	KX350	10 mm - 19 mm	52 mm - 62 mm	2572385
			with anti-spin	Short Head	Coarse	SH-CONE C 18	18.2 MnCr	KX400	13 mm - 25 mm	119 mm - 132 mm	2402580
			with anti-spin	Short Head	Fine	SH-CONE F 18	18.2 MnCr	KX400	10 mm - 19 mm	62 mm - 73 mm	2402582
			with anti-spin	Standard	Coarse	S-CONE C 18	18.2 MnCr	KX400	25 mm - 45 mm	320 mm - 329 mm	2402576
			without anti-spin	Standard	Coarse	S-CONE C 20	20.3 MnCr	KX350	25 mm - 45 mm	220 mm - 240 mm	2572391
			without anti-spin	Short Head	Coarse	SH-CONE C 20	20.3 MnCr	KX350	13 mm - 25 mm	102 mm - 114 mm	2572388

# CRUSHING TOOLS FOR CONE CRUSHERS

CRUSHING SHELLS AND CRUSHING CONES											
Series code	Serial code	Part	Type	Crushing tool type	Application	Version	Manganese version Content	Tool type	Minimum gap width	Feed opening	Part no.
MCO 130 PRO	K042	Crushing tools SET for cone crushers	with anti-spin	Standard	Fine	S-CONE F 18	18.2 MnCr	KX400	16 mm - 32 mm	152 mm - 169 mm	2402579
			with anti-spin	Standard	Medium	S-CONE M 18	18.2 MnCr	KX400	22 mm - 45 mm	228 mm - 251 mm	2402577
			with anti-spin	Short Head	Medium	SH-CONE M 18	18.2 MnCr	KX400	10 mm - 22 mm	74 mm - 87 mm	2402581
MCO 130S	K044	crushing cone	with anti-spin	Short Head	Fine; Medium; Coarse	SH-CONE 18	18.2 MnCr	KX400	10 mm - 25 mm	62 mm - 132 mm	2268993
			without anti-spin	Standard	Fine; Medium; Coarse	S-CONE 20	20.3 MnCr	KX400	16 mm - 32 mm	152 mm - 329 mm	2359123
			without anti-spin	Short Head	Fine; Medium; Coarse	SH-CONE 20	20.3 MnCr	KX400	10 mm - 25 mm	62 mm - 132 mm	2359122
			with anti-spin	Standard	Fine; Medium; Coarse	S-CONE 18	18.2 MnCr	KX400	16 mm - 32 mm	152 mm - 329 mm	2269083
		without anti-spin	Standard	Coarse	S-CONE C 18	18.2 MnCr	KX400	25 mm - 45 mm	320 mm - 329 mm	M10022297	
		without anti-spin	Short Head	Fine	SH-CONE F 20	20.3 MnCr	KX400	10 mm - 19 mm	62 mm - 73 mm	2359130	
		with anti-spin; without anti-spin	Standard	Fine	S-CONE F 18	18.2 MnCr	KX400	16 mm - 32 mm	152 mm - 169 mm	2268977	
		with anti-spin	Short Head	Coarse	SH-CONE C 18	18.2 MnCr	KX400	13 mm - 25 mm	119 mm - 132 mm	2268971	
		with anti-spin	Short Head	Medium	SH-CONE M 18	18.2 MnCr	KX400	10 mm - 22 mm	74 mm - 87 mm	2268968	



CRUSHING SHELLS AND CRUSHING CONES											
Series code	Serial code	Part	Type	Crushing tool type	Application	Version	Manganese version Content	Tool type	Minimum gap width	Feed opening	Part no.
MCO 130S	K044	crushing shell	with anti-spin	Short Head	Fine	SH-CONE F 18	18.2 MnCr	KX400	10 mm - 19 mm	62 mm - 73 mm	2268967
			with anti-spin	Standard	Coarse	S-CONE C 18	18.2 MnCr	KX400	25 mm - 45 mm	320 mm - 329 mm	2268981
			with anti-spin; without anti-spin	Standard	Medium	S-CONE M 18	18.2 MnCr	KX400	22 mm - 45 mm	228 mm - 251 mm	2268979
			without anti-spin	Short Head	Medium	SH-CONE M 20	20.3 MnCr	KX350	10 mm - 22 mm	81 mm - 93 mm	2566555
			without anti-spin	Short Head	Coarse	SH-CONE C 20	20.3 MnCr	KX350	13 mm - 25 mm	102 mm - 114 mm	2566554
			without anti-spin	Standard	Coarse	S-CONE C 20	20.3 MnCr	KX400	25 mm - 45 mm	320 mm - 329 mm	2359124
			without anti-spin	Standard	Medium	S-CONE M 20	20.3 MnCr	KX400	22 mm - 45 mm	228 mm - 251 mm	2359126
			without anti-spin	Standard	Fine	S-CONE F 20	20.3 MnCr	KX400	16 mm - 32 mm	152 mm - 169 mm	2359127
		Crushing tools SET for cone crushers	with anti-spin	Standard	Fine	S-CONE F 18	18.2 MnCr	KX400	16 mm - 32 mm	152 mm - 169 mm	2402579
			with anti-spin	Short Head	Medium	SH-CONE M 18	18.2 MnCr	KX400	10 mm - 22 mm	74 mm - 87 mm	2402581
			with anti-spin	Short Head	Fine	SH-CONE F 18	18.2 MnCr	KX400	10 mm - 19 mm	62 mm - 73 mm	2402582
			without anti-spin	Standard	Coarse	S-CONE C 20	20.3 MnCr	KX350	25 mm - 45 mm	220 mm - 240 mm	2572391

# CRUSHING TOOLS FOR CONE CRUSHERS

CRUSHING SHELLS AND CRUSHING CONES											
Series code	Serial code	Part	Type	Crushing tool type	Application	Version	Manganese version Content	Tool type	Minimum gap width	Feed opening	Part no.
MCO 130S	K044	Crushing tools SET for cone crushers	without anti-spin	Standard	Medium	S-CONE M 20	20.3 MnCr	KX350	19 mm - 38 mm	173 mm - 190 mm	2572390
			with anti-spin	Short Head	Coarse	SH-CONE C 18	18.2 MnCr	KX400	13 mm - 25 mm	119 mm - 132 mm	2402580
			with anti-spin	Standard	Medium	S-CONE M 18	18.2 MnCr	KX400	22 mm - 45 mm	228 mm - 251 mm	2402577
			without anti-spin	Short Head	Fine	SH-CONE F 20	20.3 MnCr	KX350	10 mm - 19 mm	52 mm - 62 mm	2572385
			without anti-spin	Short Head	Medium	SH-CONE M 20	20.3 MnCr	KX350	10 mm - 22 mm	81 mm - 93 mm	2572386
			without anti-spin	Short Head	Coarse	SH-CONE C 20	20.3 MnCr	KX350	13 mm - 25 mm	102 mm - 114 mm	2572388
			with anti-spin	Standard	Coarse	S-CONE C 18	18.2 MnCr	KX400	25 mm - 45 mm	320 mm - 329 mm	2402576
			without anti-spin	Standard	Fine	S-CONE F 20	20.3 MnCr	KX350	16 mm - 32 mm	131 mm - 147 mm	2572389





# ABRASION LINING



To protect the crusher inlet from damage, the housing is completely covered with extremely wear-resistant genuine KLEEMANN plates.

KLEEMANN Resistance Steel (KRS) is available in three quality levels. KRS 40 plates, which can withstand a hardness of up to 430 HV and exhibit excellent impact resistance, are particularly suitable for materials with very a low level of abrasiveness, such as limestone, or for recycling building rubble and concrete. For rock with a

medium degree of abrasiveness and recycling operations,

KRS 50 is suitable for materials with a hardness of up to 530 HV.

KRS HW plates, designed for materials with a high level of abrasiveness, have a significantly longer service life. These plates, which have a wear layer that is 10 mm thick, can withstand hardnesses of up to 740 HV.



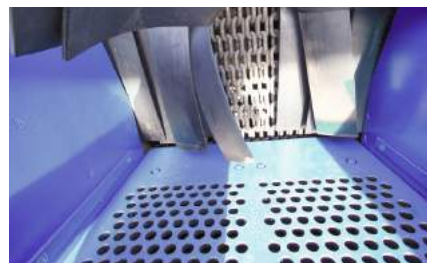
> Read more online

Original KLEEMANN

# ABRASION LINING

## RUBBER CURTAIN

Genuine KLEEMANN fibre-reinforced rubber curtains are attached to the crusher inlet to prevent material and dust from escaping.



RUBBER CURTAIN					
Series code	Serial code	Series range	Position	Requirement	Part no.
MR 100 R	K012	1 - 9999	for crusher inlet	9 pc.	F10579704
MR 100 Z	K013	10 - 9999	for crusher inlet	9 pc.	F10579704
MR 110 R EVO	K016	1 - 9999	for crusher inlet	10 pc.	F10473414
MR 110 Z EVO	K017	3 - 9999	for crusher inlet	10 pc.	F10473414
MR 110 EVO2	K018	1 - 9999	for crusher inlet	10 pc.	F10473414
MR 110 i EVO2	K019	1 - 9999	for crusher inlet	10 pc.	F10473414
MR 122i PRO	K031	1 - 9999	for crusher inlet	14 pc.	F10503364
MR 122 PRO	K062	66 - 9999	for crusher inlet	14 pc.	F10503364
MR 130 R	K023	1 - 199	for crusher inlet	14 pc.	F10473414
MR 130 R EVO	K023	200 - 9999	for crusher inlet	13 pc.	F20011339
MR 130 Z	K024	70 - 299	for crusher inlet	14 pc.	F10473414
MR 130 Z EVO	K024	301 - 9999	for crusher inlet	13 pc.	F20011339
MR 130 EVO2	K077	1 - 9999	for crusher inlet	13 pc.	F20011339
MR 130i EVO2	K078	1 - 9999	for crusher inlet	13 pc.	F20011339
MR 130 PRO	K124	1 - 9999	for crusher inlet	13 pc.	F20011339
MR 130i PRO	K125	1 - 9999	for crusher inlet	13 pc.	F20011339



## CHAIN CURTAIN

Genuine KLEEMANN chain curtains are particularly wear-resistant and, in combination with rubber curtains, ensure that neither material nor dust can escape from the crusher housing.



CHAIN CURTAIN					
Series code	Serial code	Series range	Position	Requirement	Part no.
MR 100 R	K012	33 - 9999	for crusher inlet	18 pc.	F10331504
MR 100 Z	K013	10 - 9999	for crusher inlet	18 pc.	F10331504
MR 110 R EVO	K016	1 - 9999	for crusher inlet	18 pc.	F10473404
MR 110 Z EVO	K017	3 - 9999	for crusher inlet	18 pc.	F10473404
MR 110 EVO2	K018	1 - 9999	for crusher inlet	18 pc.	F10473404
MR 110 i EVO2	K019	1 - 9999	for crusher inlet	18 pc.	F10473404
MR 122i PRO	K031	1 - 9999	for crusher inlet	16 pc.	F20000489
			for crusher inlet	20 pc.	F20002132
MR 122 PRO	K062	66 - 9999	for crusher inlet	16 pc.	F20000489
			for crusher inlet	20 pc.	F20002132
MR 130 R	K023	1 - 199	for crusher inlet	21 pc.	F10473404
MR 130 R EVO	K023	200 - 9999	for crusher inlet	21 pc.	F20002132
MR 130 Z	K024	70 - 299	for crusher inlet	21 pc.	F10473404
MR 130 Z EVO	K024	301 - 9999	for crusher inlet	21 pc.	F20002132
MR 130 EVO2	K077	1 - 9999	for crusher inlet	21 pc.	F20002132
MR 130i EVO2	K078	1 - 9999	for crusher inlet	21 pc.	F20002132
MR 130 PRO	K124	1 - 9999	for crusher inlet	21 pc.	F20002132
MR 130i PRO	K125	1 - 9999	for crusher inlet	21 pc.	F20002132

# ABRASION LINING

## WEAR PLATES

Genuine KLEEMANN wear plates protect the high-quality crusher housing from damage.



WEAR PLATES						
Series code	Serial code	Series range	Version	Profile	Position	Part no.
MC 110 R EVO	K005	1 - 9999	KRS 40	special variant	for vibrating feeder / side	2416791
			KRS 40	special variant	for bypass	2249270
			KRS 40	special variant	for vibrating feeder / side	2261429
			KRS 40	special variant	for vibrating feeder / rear wall	2261635
			KRS 40	special variant	for vibrating feeder / side	2261570
			KRS 40	special variant	for crusher outlet	2294380
			KRS 40	special variant	for crusher outlet	2294387
			KRS 40	special variant	for vibrating feeder / side	2261547
		KRS 40	special variant	for vibrating feeder / side	2261598	
		102 - 9999	KRS 40	special variant	for vibrating feeder / side	2416801
		106 - 9999	KRS 40	special variant	for vibrating feeder / side	2248262
			KRS 40	special variant	for vibrating feeder / base	2298079
			KRS 40	special variant	for vibrating feeder / base	2298078
			KRS 40	special variant	for vibrating feeder / rear wall	2298075
			KRS 40	special variant	for vibrating feeder / side	2416814
			KRS 40	special variant	for vibrating feeder / side	2416834
MC 110 Ri EVO	K014	1 - 9999	KRS 40	special variant	for bypass	2249270
			KRS 40	special variant	for vibrating feeder / side	2416791
			KRS 40	special variant	for crusher outlet	2294380
			KRS 40	special variant	for crusher outlet	2294387



WEAR PLATES								
Series code	Serial code	Series range	Version	Profile	Position	Part no.		
MC 110 Ri EVO	K014	1 - 9999	KRS 40	special variant	for vibrating feeder / side	2261547		
			KRS 40	special variant	for vibrating feeder / side	2261598		
			KRS 40	special variant	for vibrating feeder / side	2261429		
			KRS 40	special variant	for vibrating feeder / side	2261570		
			KRS 40	special variant	for vibrating feeder / rear wall	2261635		
		102 - 9999	KRS 40	special variant	for vibrating feeder / side	2416801		
		106 - 9999	KRS 40	special variant	for vibrating feeder / side	2416834		
			KRS 40	special variant	for vibrating feeder / side	2248262		
			KRS 40	special variant	for vibrating feeder / side	2416814		
			KRS 40	special variant	for vibrating feeder / rear wall	2298075		
			KRS 40	special variant	for vibrating feeder / base	2298079		
			KRS 40	special variant	for vibrating feeder / base	2298078		
		MC 110 Z EVO	K006	1 - 9999	KRS 40	special variant	for bypass	2249270
					KRS 40	special variant	for vibrating feeder / base	2293310
KRS 40	special variant				for vibrating feeder / rear wall	2293311		
KRS 40	special variant				for vibrating feeder / side	2248262		
KRS 40	special variant				for vibrating feeder / side	2252886		
KRS 40	special variant				for crusher outlet	2294380		
KRS 40	special variant				for vibrating feeder / base	2293307		
KRS 40	special variant				for vibrating feeder / side	2252882		
KRS 40	special variant				for crusher outlet	2294387		
KRS 40	special variant				for vibrating feeder / side	2252851		
KRS 40	special variant				for vibrating feeder / side	2252846		
KRS 40	special variant				for vibrating feeder / side	2252908		
169 - 9999	KRS 40			special variant	for vibrating feeder / side	2410809		
	KRS 40			special variant	for vibrating feeder / side	2410806		

# ABRASION LINING

WEAR PLATES						
Series code	Serial code	Series range	Version	Profile	Position	Part no.
MC 110 Zi EVO	K015	1 - 9999	KRS 40	special variant	for bypass	2249270
			KRS 40	special variant	for vibrating feeder / base	2293307
			KRS 40	special variant	for vibrating feeder / base	2293310
			KRS 40	special variant	for vibrating feeder / rear wall	2293311
			KRS 40	special variant	for vibrating feeder / side	2248262
			KRS 40	special variant	for crusher outlet	2294380
			KRS 40	special variant	for vibrating feeder / side	2252886
			KRS 40	special variant	for vibrating feeder / side	2252882
			KRS 40	special variant	for crusher outlet	2294387
			KRS 40	special variant	for vibrating feeder / side	2252851
			KRS 40	special variant	for vibrating feeder / side	2252846
		KRS 40	special variant	for vibrating feeder / side	2252908	
				169 - 9999	KRS 40	special variant
		KRS 40	special variant		for vibrating feeder / side	2410806
MC 110 EVO2	K116	1 - 9999	KRS 40	miscellaneous	for feed hopper	2998570
			KRS 40	rectangular	for vibrating feeder / right	2656632
			KRS 40	rectangular	for vibrating feeder / left	2656634
			KRS 40	rectangular	for vibrating feeder / rear wall	2656628
			KRS 40	rectangular	for vibrating feeder / base	2656626
			KRS 60	square	for deflector plate	3061770
			KRS 40	square	for deflector plate	F20009533
			KRS 40	rectangular	for deflector plate	2820851
			KRS 40	rectangular	for deflector plate	F20009534
			KRS 40	rectangular	for deflector plate	2820877
			KRS 40	rectangular	for vibrating feeder / left	2656629
			KRS 40	rectangular	for vibrating feeder / base	2656627



WEAR PLATES						
Series code	Serial code	Series range	Version	Profile	Position	Part no.
MC110i EVO2	K117	1 - 9999	KRS 40	miscellaneous	for feed hopper	2998570
			KRS 40	rectangular	for deflector plate	F20009534
			KRS 40	rectangular	for deflector plate	2820877
			KRS 40	rectangular	for vibrating feeder / left	2656629
			KRS 40	rectangular	for vibrating feeder / left	2656634
			KRS 60	square	for deflector plate	3061770
			KRS 40	rectangular	for vibrating feeder / rear wall	2656628
			KRS 40	rectangular	for vibrating feeder / base	2656626
			KRS 40	rectangular	for vibrating feeder / base	2656627
			KRS 40	square	for deflector plate	F20009533
			KRS 40	rectangular	for deflector plate	2820851
			KRS 40	rectangular	for vibrating feeder / right	2656632
MCO 9 EVO	K072	1 - 9999	KRS 40	special variant	for crusher mainframe	2337098
			KRS 40	special variant	for crusher mainframe	2337101
			KRS 40	special variant	for crusher mainframe	2335067
			KRS 40	special variant	for crusher mainframe	2335068
			KRS 40	special variant	for crusher mainframe	2335070
			KRS 40	special variant	for crusher mainframe	2337095
			KRS 40	special variant	for crusher counter-shaft	2587003
			KRS 40	special variant	for crusher mainframe	2524298
			KRS 40	special variant	for crusher cam	2740871
		61 - 9999	KRS 40	special variant	for crusher outlet	2449555
			KRS 40	special variant	for crusher outlet	2449556
			KRS 40	special variant	for crusher outlet	2449554
		MCO 9i EVO	K073	1 - 9999	KRS 40	special variant
KRS 40	special variant				for crusher mainframe	2337101

# ABRASION LINING

WEAR PLATES						
Series code	Serial code	Series range	Version	Profile	Position	Part no.
MCO 9i EVO	K073	1 - 9999	KRS 40	special variant	for crusher outlet	2449554
			KRS 40	special variant	for crusher outlet	2449556
			KRS 40	special variant	for crusher outlet	2449555
			KRS 40	special variant	for crusher mainframe	2335067
			KRS 40	special variant	for crusher mainframe	2335068
			KRS 40	special variant	for crusher mainframe	2335070
			KRS 40	special variant	for crusher mainframe	2337095
			KRS 40	special variant	for crusher counter-shaft	2587003
			KRS 40	special variant	for crusher cam	2740871
			KRS 40	special variant	for crusher mainframe	2524298
MCO 9 S EVO	K074	1 - 9999	KRS 40	special variant	for crusher mainframe	2337098
			KRS 40	special variant	for crusher mainframe	2337101
			KRS 40	special variant	for crusher outlet	2449554
			KRS 40	special variant	for crusher outlet	2449556
			KRS 40	special variant	for crusher outlet	2449555
			KRS 40	special variant	for crusher mainframe	2335067
			KRS 40	special variant	for crusher mainframe	2335068
			KRS 40	special variant	for crusher mainframe	2335070
			KRS 40	special variant	for crusher mainframe	2337095
			KRS 40	special variant	for crusher counter-shaft	2587003
			KRS 40	special variant	for crusher cam	2740871
			KRS 40	special variant	for crusher mainframe	2524298
			MCO 9 Si EVO	K075	1 - 9999	KRS 40
KRS 40	special variant	for crusher mainframe				2337101
KRS 40	special variant	for crusher outlet				2449554
KRS 40	special variant	for crusher outlet				2449556





WEAR PLATES						
Series code	Serial code	Series range	Version	Profile	Position	Part no.
MCO 9 Si EVO	K075	1 - 9999	KRS 40	special variant	for crusher outlet	2449555
			KRS 40	special variant	for crusher mainframe	2335067
			KRS 40	special variant	for crusher mainframe	2335068
			KRS 40	special variant	for crusher mainframe	2335070
			KRS 40	special variant	for crusher mainframe	2337095
			KRS 40	special variant	for crusher counter-shaft	2587003
			KRS 40	special variant	for crusher cam	2740871
			KRS 40	special variant	for crusher mainframe	2524298
MCO 90 EVO2	K120	1 - 9999	KRS 40	special variant	for crusher mainframe	2337101
			KRS 40	special variant	for crusher mainframe	2335067
			KRS 40	special variant	for crusher mainframe	2335068
			KRS 40	special variant	for crusher mainframe	2335070
			KRS 40	special variant	for crusher outlet	2786938
			KRS 40	special variant	for crusher counter-shaft	2587003
			KRS 40	special variant	for crusher mainframe	2524298
			KRS 40	special variant	for crusher cam	2740871
		2 - 9999	KRS 40	special variant	for crusher outlet	2786937
		15 - 9999	KRS 40	special variant	for ejector chute	2972359
			KRS 40	special variant	for ejector chute	2972292
			KRS 40	special variant	for ejector chute	2972467
		MCO 90i EVO2	K121	1 - 9999	KRS 40	special variant
KRS 40	special variant				for crusher mainframe	2335067
KRS 40	special variant				for crusher mainframe	2335068
KRS 40	special variant				for crusher mainframe	2335070
KRS 40	special variant				for crusher outlet	2786938
KRS 40	special variant				for crusher counter-shaft	2587003

# ABRASION LINING

WEAR PLATES						
Series code	Serial code	Series range	Version	Profile	Position	Part no.
MCO 90i EVO2	K121	1 - 9999	KRS 40	special variant	for crusher mainframe	2524298
			KRS 40	special variant	for crusher cam	2740871
		2 - 9999	KRS 40	special variant	for crusher outlet	2786937
		15 - 9999	KRS 40	special variant	for ejector chute	2972359
			KRS 40	special variant	for ejector chute	2972292
			KRS 40	special variant	for ejector chute	2972467
MR 100 R	K012	33 - 9999	KRS 40	miscellaneous	for crusher housing	F60000008
			KRS 40	miscellaneous	for crusher housing	F10617779
MR 110 R EVO	K016	1 - 9999	KRS 40	miscellaneous	for screen casing	2998908
			KRS 40	miscellaneous	for feed hopper	2998570
			KRS 60	miscellaneous	for crusher housing	WX3182093
			KRS 40	miscellaneous	for crusher housing	F60000018
			KRS 60	miscellaneous	for crusher housing / zone with limited accessibility	WX3182095
			KRS 40	special variant	for crusher housing	F20009716
			KRS 40	special variant	for crusher housing	F20009180
			KRS 40	special variant	for crusher housing	F20009125
			KRS 40	special variant	for crusher housing	F20009127
			KRS 40	special variant	for crusher housing	F20009132
			KRS 40	special variant	for crusher housing	F20009130
			KRS 40	special variant	for crusher housing	F20009129
			KRS 40	special variant	for crusher housing	F20009128
			KRS 40	special variant	for crusher housing	F20012149
			KRS 40	special variant	for crusher housing	F20012148
			KRS 40	special variant	for crusher housing	F20012147
			KRS 40	special variant	for crusher housing	F20012146



WEAR PLATES						
Series code	Serial code	Series range	Version	Profile	Position	Part no.
MR 110 R EVO	K016	1 - 9999	KRS 40	special variant	for crusher housing	F20009134
			KRS 40	special variant	for crusher housing	F20012145
			KRS 60	special variant	for crusher housing / zone with limited accessibility	WX3181843
			KRS 60	square	for crusher housing	3061770
			KRS 60	rectangular	for crusher housing	3061760
			KRS 40	rectangular	for vibrating feeder / base	F20004949
			KRS 40	rectangular	for vibrating feeder / base	F20004948
			KRS 40	rectangular	for vibrating feeder / rear wall	F20004950
			KRS 40	special variant	for vibrating feeder side wall	F20004951
			KRS 40	special variant	for vibrating feeder side wall	F20004952
			KRS 40	rectangular	for vibrating feeder side wall	F20004953
			KRS 40	special variant	for vibrating feeder side wall	F20015096
			KRS 40	special variant	for vibrating feeder side wall	F20015097
			KRS 40	special variant	for ejector chute	2200299
			KRS 40	special variant	for ejector chute	2194658
			KRS 40	special variant	for ejector chute	2194655
			KRS 40	special variant	for ejector chute	2194653
			KRS 40	special variant	for lower crusher housing	F20009151
			KRS 40	special variant	for lower crusher housing	F20009152
			KRS 60	special variant	for crusher housing / zone with limited accessibility	WX3181836
			KRS 60	triangular	for crusher housing	WX3181833
KRS 60	special variant	for crusher housing / zone with limited accessibility	WX3181840			

# ABRASION LINING

WEAR PLATES								
Series code	Serial code	Series range	Version	Profile	Position	Part no.		
MR 110 R EVO	K016	1 - 9999	KRS 60	special variant	for crusher housing / zone with limited accessibility	WX3181977		
			KRS 60	special variant	for crusher housing / zone with limited accessibility	WX3181972		
			KRS 60	special variant	for crusher housing / zone with limited accessibility	WX3181845		
			KRS 40	special variant	for crusher housing	F20013112		
			KRS 40	special variant	for crusher housing	F20009140		
			KRS 40	special variant	for crusher housing	F20009644		
			KRS 50	triangular	for crusher housing	2462226		
			KRS 40	special variant	for crusher housing	F20009645		
			KRS 40	special variant	for lower crusher housing	F20009153		
			KRS 40	square	for crusher housing	F20009533		
			KRS 40	rectangular	for crusher housing	F20009534		
			KRS 40	triangular	for crusher housing	F20009535		
			KRS HW	square	for crusher housing	2234056		
			KRS HW	rectangular	for crusher housing	2234057		
			KRS HW	triangular	for crusher housing	2245882		
			KRS 50	square	for crusher housing	2389211		
			KRS 50	rectangular	for crusher housing	2389216		
					7 - 9999	KRS 40	rectangular	for vibrating extractor / base
		MR 110 Z EVO	K017	1 - 9999	KRS 60	miscellaneous	for crusher housing	WX3182093
KRS 40	miscellaneous				for crusher housing	F60000018		
KRS 60	miscellaneous				for crusher housing / zone with limited accessibility	WX3182095		
KRS 40	special variant				for crusher housing	F20013112		



WEAR PLATES						
Series code	Serial code	Series range	Version	Profile	Position	Part no.
MR 110 Z EVO	K017	1 - 9999	KRS 40	special variant	for crusher housing	F20009716
			KRS 40	special variant	for crusher housing	F20009645
			KRS 40	special variant	for crusher housing	F20009180
			KRS 40	special variant	for crusher housing	F20009125
			KRS 40	special variant	for crusher housing	F20009127
			KRS 40	special variant	for crusher housing	F20009132
			KRS 40	special variant	for crusher housing	F20009130
			KRS 40	special variant	for crusher housing	F20009129
			KRS 40	special variant	for crusher housing	F20009128
			KRS 40	special variant	for crusher housing	F20012149
			KRS 40	special variant	for crusher housing	F20012148
			KRS 40	special variant	for crusher housing	F20012147
			KRS 40	special variant	for crusher housing	F20012146
			KRS 40	special variant	for crusher housing	F20009134
			KRS 40	special variant	for crusher housing	F20012145
			KRS 40	special variant	for crusher housing	F20009151
			KRS 40	special variant	for crusher housing	F20009152
			KRS 40	special variant	for crusher housing	F20009153
			KRS 60	special variant	for crusher housing / zone with limited accessibility	WX3181845
			KRS 60	special variant	for crusher housing / zone with limited accessibility	WX3181843
			KRS 60	special variant	for crusher housing / zone with limited accessibility	WX3181836
			KRS 40	special variant	for crusher housing	F20009140
			KRS 40	special variant	for crusher housing	F20009644

# ABRASION LINING

WEAR PLATES						
Series code	Serial code	Series range	Version	Profile	Position	Part no.
MR 110 Z EVO	K017	1 - 9999	KRS 60	rectangular	for crusher housing	3061760
			KRS 60	square	for crusher housing	3061770
			KRS 60	special variant	for crusher housing / zone with limited accessibility	WX3181972
			KRS 60	special variant	for crusher housing / zone with limited accessibility	WX3181977
			KRS 60	special variant	for crusher housing / zone with limited accessibility	WX3181840
			KRS 60	triangular	for crusher housing	WX3181833
		3 - 9999	KRS 40	miscellaneous	for screen casing	2998908
			KRS 40	miscellaneous	for feed hopper	2998570
			KRS 40	square	for crusher housing	F20009533
			KRS 40	rectangular	for crusher housing	F20009534
			KRS 40	triangular	for crusher housing	F20009535
			KRS 50	square	for crusher housing	2389211
			KRS HW	triangular	for crusher housing	2245882
			KRS HW	rectangular	for crusher housing	2234057
			KRS 50	triangular	for crusher housing	2462226
			KRS 50	rectangular	for crusher housing	2389216
			KRS HW	square	for crusher housing	2234056
			MR 110 EVO2	K018	1 - 9999	KRS 40
KRS 60	miscellaneous	for crusher housing				WX3182093
KRS 60	miscellaneous	for crusher housing / zone with limited accessibility				WX3182095
KRS 40	special variant	for crusher housing				F20013112
KRS 40	special variant	for crusher housing				F20009645



WEAR PLATES						
Series code	Serial code	Series range	Version	Profile	Position	Part no.
MR 110 EVO2	K018	1 - 9999	KRS 40	special variant	for crusher housing	F20009180
			KRS 40	special variant	for crusher housing	F20009125
			KRS 40	special variant	for crusher housing	F20009127
			KRS 40	special variant	for crusher housing	F20009132
			KRS 40	special variant	for crusher housing	F20009130
			KRS 40	special variant	for crusher housing	F20009129
			KRS 40	special variant	for crusher housing	F20009128
			KRS 40	special variant	for crusher housing	F20009134
			KRS 40	special variant	for crusher housing	F20009151
			KRS 40	special variant	for crusher housing	F20009152
			KRS 40	special variant	for crusher housing	F20009153
			KRS 40	special variant	for crusher housing	2318722
			KRS 40	special variant	for crusher housing	2318724
			KRS 40	special variant	for crusher housing	2318727
			KRS 40	special variant	for crusher housing	2318728
			KRS 50	triangular	for crusher housing	2462226
			KRS 40	special variant	for crusher housing	2286538
			KRS 60	special variant	for crusher housing / zone with limited accessibility	WX3181845
			KRS 60	special variant	for crusher housing / zone with limited accessibility	WX3181843
			KRS 60	special variant	for crusher housing / zone with limited accessibility	WX3181836
			KRS 60	triangular	for crusher housing	WX3181833
KRS 60	special variant	for crusher housing / zone with limited accessibility	WX3181840			

# ABRASION LINING

WEAR PLATES								
Series code	Serial code	Series range	Version	Profile	Position	Part no.		
MR 110 EVO2	K018	1 - 9999	KRS 60	special variant	for crusher housing / zone with limited accessibility	WX3181977		
			KRS 60	special variant	for crusher housing / zone with limited accessibility	WX3181972		
			KRS 60	rectangular	for crusher housing	3061760		
			KRS 60	square	for crusher housing	3061770		
			KRS 40	special variant	for crusher housing	2286495		
			KRS 40	special variant	for crusher housing	2318729		
			KRS 50	rectangular	for crusher housing	2389216		
			KRS 40	square	for crusher housing	F20009533		
			KRS 40	rectangular	for crusher housing	F20009534		
			KRS 40	triangular	for crusher housing	F20009535		
			KRS HW	square	for crusher housing	2234056		
			KRS HW	rectangular	for crusher housing	2234057		
			KRS HW	triangular	for crusher housing	2245882		
			KRS 50	square	for crusher housing	2389211		
				1 - 99999	KRS 40	miscellaneous	for feed hopper	2998570
					KRS 40	miscellaneous	for screen casing	2998908
MR 110 i EVO2	K019	1 - 9999	KRS 40	miscellaneous	for crusher housing	2966884		
			KRS 60	miscellaneous	for crusher housing / zone with limited accessibility	WX3182095		
			KRS 60	miscellaneous	for crusher housing	WX3182093		
			KRS 40	special variant	for crusher housing	F20009645		
			KRS 60	square	for crusher housing	3061770		
			KRS 60	rectangular	for crusher housing	3061760		
			KRS 40	special variant	for crusher housing	F20013112		





WEAR PLATES						
Series code	Serial code	Series range	Version	Profile	Position	Part no.
MR 110 i EVO2	K019	1 - 9999	KRS 40	special variant	for crusher housing	F20009180
			KRS 40	special variant	for crusher housing	F20009125
			KRS 40	special variant	for crusher housing	F20009127
			KRS 40	special variant	for crusher housing	F20009132
			KRS 40	special variant	for crusher housing	F20009130
			KRS 40	special variant	for crusher housing	F20009129
			KRS 40	special variant	for crusher housing	F20009128
			KRS 40	special variant	for crusher housing	F20009134
			KRS 40	special variant	for crusher housing	F20009151
			KRS 40	special variant	for crusher housing	F20009152
			KRS 40	special variant	for crusher housing	F20009153
			KRS 40	special variant	for crusher housing	2318722
			KRS 40	special variant	for crusher housing	2318724
			KRS 40	special variant	for crusher housing	2318727
			KRS 40	special variant	for crusher housing	2318728
			KRS 40	special variant	for crusher housing	2318729
			KRS 40	special variant	for crusher housing	2286538
			KRS 40	special variant	for crusher housing	2286495
			KRS 60	special variant	for crusher housing / zone with limited accessibility	WX3181843
			KRS 60	special variant	for crusher housing / zone with limited accessibility	WX3181836
			KRS HW	rectangular	for crusher housing	2234057
			KRS HW	triangular	for crusher housing	2245882
			KRS 50	square	for crusher housing	2389211
KRS 50	rectangular	for crusher housing	2389216			

# ABRASION LINING

WEAR PLATES								
Series code	Serial code	Series range	Version	Profile	Position	Part no.		
MR 110 i EVO2	K019	1 - 9999	KRS 50	triangular	for crusher housing	2462226		
			KRS 60	triangular	for crusher housing	WX3181833		
			KRS 60	special variant	for crusher housing / zone with limited accessibility	WX3181840		
			KRS 60	special variant	for crusher housing / zone with limited accessibility	WX3181977		
			KRS 60	special variant	for crusher housing / zone with limited accessibility	WX3181972		
			KRS 60	special variant	for crusher housing / zone with limited accessibility	WX3181845		
			KRS 40	square	for crusher housing	F20009533		
			KRS 40	rectangular	for crusher housing	F20009534		
			KRS 40	triangular	for crusher housing	F20009535		
			KRS HW	square	for crusher housing	2234056		
				1 - 99999	KRS 40	miscellaneous	for screen casing	2998908
					KRS 40	miscellaneous	for feed hopper	2998570
MR 122i PRO	K031	1 - 9999	KRS HW	square	for crusher housing	F20004066		
			KRS 40	rectangular	for crusher housing	F10366244		
			KRS 40	square	for crusher housing	F10366234		
			KRS 40	special variant	for crusher housing	F10366294		
			KRS HW	rectangular	for crusher housing	2521336		
			KRS 40	square	for crusher housing	F10366464		
			KRS 40	rectangular	for crusher housing	F10366474		
			KRS 40	rectangular	for crusher housing	F10308644		
			KRS 40	rectangular	for crusher housing	F10366364		
			KRS 40	special variant	for crusher housing	F10366304		



WEAR PLATES						
Series code	Serial code	Series range	Version	Profile	Position	Part no.
MR 122i PRO	K031	1 - 9999	KRS 40	square	for crusher housing	F10366284
			KRS 40	triangular	for crusher housing	F10308624
			KRS 40	square	for crusher housing	F10308664
			KRS 40	square	for crusher housing	F10331224
MR 122 PRO	K062	66 - 9999	KRS HW	square	for crusher housing	F20004066
			KRS 40	square	for crusher housing	F10366234
			KRS 40	rectangular	for crusher housing	F10366244
			KRS 40	special variant	for crusher housing	F10366294
			KRS HW	rectangular	for crusher housing	2521336
			KRS 40	rectangular	for crusher housing	F10366474
			KRS 40	rectangular	for crusher housing	F10308644
			KRS 40	square	for crusher housing	F10308664
			KRS 40	square	for crusher housing	F10331224
			KRS 40	special variant	for crusher housing	F10366304
			KRS 40	square	for crusher housing	F10366284
			KRS 40	triangular	for crusher housing	F10308624
			KRS 40	rectangular	for crusher housing	F10366364
			KRS 40	square	for crusher housing	F10366464
MR 130 R	K023	1 - 199	KRS 40	square	for crusher housing	F20009533
			KRS 40	rectangular	for crusher housing	F20009534
			KRS 40	triangular	for crusher housing	F20009535
			KRS HW	square	for crusher housing	2234056
			KRS 50	triangular	for crusher housing	2462226
			KRS HW	triangular	for crusher housing	2245882
			KRS 50	square	for crusher housing	2389211
			KRS 50	rectangular	for crusher housing	2389216

# ABRASION LINING

WEAR PLATES						
Series code	Serial code	Series range	Version	Profile	Position	Part no.
MR 130 R	K023	1 - 199	KRS HW	rectangular	for crusher housing	2234057
MR 130 R EVO	K023	200 - 9999	KRS 40	miscellaneous	for feed hopper	2998502
			KRS 40	miscellaneous	for screen casing	2998866
			KRS 40	miscellaneous	for crusher housing	F60000017
			KRS 40	miscellaneous	for rotor area	F20011929
			KRS 40	rectangular	for lower crusher housing	F20011162
			KRS 40	rectangular	for lower crusher housing	F20011160
			KRS 40	special variant	for crusher housing	F20009716
			KRS 40	special variant	for crusher housing	F20011405
			KRS 40	rectangular	for lower crusher housing	F20011161
			KRS HW	rectangular	for lower crusher housing	2797999
			KRS HW	rectangular	for lower crusher housing	2798000
			KRS HW	rectangular	for lower crusher housing	2797998
			KRS 50	rectangular	for crusher housing	2389216
			KRS 50	triangular	for crusher housing	2462226
			KRS 50	square	for crusher housing	2389211
			KRS HW	triangular	for crusher housing	2245882
			KRS HW	rectangular	for crusher housing	2234057
			KRS 40	square	for crusher housing	F20009533
			KRS 40	rectangular	for crusher housing	F20009534
			KRS 40	triangular	for crusher housing	F20009535
KRS HW	square	for crusher housing	2234056			
KRS 40	special variant	for crusher housing	F20011422			
KRS 40	special variant	for crusher housing	F20011421			
KRS 40	special variant	for crusher housing	F20011406			
KRS 40	special variant	for crusher housing	F20011407			



WEAR PLATES						
Series code	Serial code	Series range	Version	Profile	Position	Part no.
MR 130 R EVO	K023	200 - 9999	KRS 40	special variant	for crusher housing	F20011420
MR 130 Z	K024	1 - 299	KRS 40	square	for crusher housing	F20009533
			KRS 40	rectangular	for crusher housing	F20009534
			KRS 40	triangular	for crusher housing	F20009535
			KRS HW	square	for crusher housing	2234056
			KRS 50	triangular	for crusher housing	2462226
			KRS HW	triangular	for crusher housing	2245882
			KRS 50	square	for crusher housing	2389211
			KRS 50	rectangular	for crusher housing	2389216
			KRS HW	rectangular	for crusher housing	2234057
MR 130 Z EVO	K024	301 - 9999	KRS 40	miscellaneous	for feed hopper	2998502
			KRS 40	miscellaneous	for screen casing	2998866
			KRS 40	miscellaneous	for crusher housing	F60000017
			KRS 40	miscellaneous	for rotor area	F20011929
			KRS 40	rectangular	for lower crusher housing	F20011162
			KRS 40	rectangular	for lower crusher housing	F20011160
			KRS 40	special variant	for crusher housing	F20009716
			KRS 40	special variant	for crusher housing	F20011405
			KRS 40	rectangular	for lower crusher housing	F20011161
			KRS HW	rectangular	for lower crusher housing	2797999
			KRS HW	rectangular	for lower crusher housing	2798000
			KRS HW	rectangular	for lower crusher housing	2797998
			KRS 50	rectangular	for crusher housing	2389216
			KRS 50	triangular	for crusher housing	2462226
			KRS 50	square	for crusher housing	2389211
			KRS HW	triangular	for crusher housing	2245882

# ABRASION LINING

WEAR PLATES						
Series code	Serial code	Series range	Version	Profile	Position	Part no.
MR 130 Z EVO	K024	301 - 9999	KRS HW	rectangular	for crusher housing	2234057
			KRS 40	square	for crusher housing	F20009533
			KRS 40	rectangular	for crusher housing	F20009534
			KRS 40	triangular	for crusher housing	F20009535
			KRS HW	square	for crusher housing	2234056
			KRS 40	special variant	for crusher housing	F20011422
			KRS 40	special variant	for crusher housing	F20011421
			KRS 40	special variant	for crusher housing	F20011406
			KRS 40	special variant	for crusher housing	F20011407
			KRS 40	special variant	for crusher housing	F20011420
MR 130 EVO2	K077	1 - 9999	Gummi	miscellaneous	for vibrating extractor	2954464
			Gummi	miscellaneous	for vibrating extractor	3053502
			KRS 40	miscellaneous	for crusher housing	2966884
			KRS HW	miscellaneous	for crusher housing	2966885
			KRS 60	miscellaneous	for crusher housing	WX3182093
			KRS 60	miscellaneous	for crusher housing / zone with limited accessibility	WX3182097
			KRS 40	miscellaneous	for oversize grain conveyor ejector chute	2460743
			KRS 40	rectangular	for vibrating extractor	2288303
			KRS 40	rectangular	for oversize grain conveyor ejector chute	2460315
			KRS HW	rectangular	for oversize grain conveyor ejector chute	2651456
			KRS 40	special variant	for oversize grain conveyor ejector chute	2460427
			KRS HW	special variant	for oversize grain conveyor ejector chute	2651459
			KRS 40	special variant	for oversize grain conveyor ejector chute	2460712
			KRS HW	special variant	for oversize grain conveyor ejector chute	2651461
KRS 40	special variant	for oversize grain conveyor ejector chute	2460479			



WEAR PLATES						
Series code	Serial code	Series range	Version	Profile	Position	Part no.
MR 130 EVO2	K077	1 - 9999	KRS HW	special variant	for oversize grain conveyor ejector chute	2651462
			KRS 40	special variant	for oversize grain conveyor ejector chute	2460739
			KRS HW	special variant	for oversize grain conveyor ejector chute	2651464
			KRS 40	special variant	for screen casing	2261435
			KRS 40	rectangular	for vibrating extractor	2288301
			KRS 40	rectangular	for vibrating feeder / left	F20008616
			KRS 40	rectangular	for vibrating feeder / side	F20008612
			KRS 40	rectangular	for vibrating feeder / side	F20008613
			KRS 40	rectangular	for vibrating feeder / rear wall	F20010855
			KRS 40	rectangular	for vibrating feeder / base	F20010854
			KRS 40	special variant	for feed hopper	2998444
			KRS 40	special variant	for feed hopper	2998471
			KRS 60	special variant	for crusher housing / zone with limited accessibility	WX3181990
			KRS 60	special variant	for crusher housing / zone with limited accessibility	WX3182092
			KRS 60	special variant	for crusher housing / zone with limited accessibility	WX3182091
			KRS 60	special variant	for crusher housing / zone with limited accessibility	WX3181998
			KRS 60	triangular	for crusher housing	WX3181833
			KRS 40	special variant	for screen casing	F20011469
			KRS HW	rectangular	for lower crusher housing	2798000
			KRS HW	rectangular	for lower crusher housing	2797999
KRS 40	rectangular	for lower crusher housing	F20011161			
KRS 40	rectangular	for lower crusher housing	F20011162			

# ABRASION LINING

WEAR PLATES						
Series code	Serial code	Series range	Version	Profile	Position	Part no.
MR 130 EVO2	K077	1 - 9999	KRS 40	rectangular	for lower crusher housing	F20011160
			KRS HW	rectangular	for lower crusher housing	2797998
			KRS 60	square	for crusher housing	3061770
			KRS 60	rectangular	for crusher housing	3061760
			KRS 40	square	for crusher housing	F20009533
			KRS 40	rectangular	for crusher housing	F20009534
			KRS 40	triangular	for crusher housing	F20009535
			KRS HW	square	for crusher housing	2234056
			KRS HW	rectangular	for crusher housing	2234057
			KRS HW	triangular	for crusher housing	2245882
			KRS 50	square	for crusher housing	2389211
			KRS 50	rectangular	for crusher housing	2389216
			KRS 50	triangular	for crusher housing	2462226
		1 - 99999	KRS 40	miscellaneous	for screen casing	2998866
			KRS 40	miscellaneous	for feed hopper	2998502
		4 - 9999	KRS 40	special variant	for screen casing	2353118
		236 - 9999	KRS 40	special variant	for screen casing	2647926
			KRS 40	special variant	for screen casing	2647908
			KRS 40	special variant	for screen casing	2647790
		MR 130i EVO2	K078	1 - 9999	Gummi	miscellaneous
KRS 40	miscellaneous				for feed hopper	2998502
Gummi	miscellaneous				for vibrating extractor	3053502
KRS 40	miscellaneous				for oversize grain conveyor ejector chute	2460743
KRS HW	miscellaneous				for crusher housing	2966885
KRS 40	miscellaneous				for crusher housing	2966884
KRS 60	miscellaneous				for crusher housing	WX3182093





WEAR PLATES						
Series code	Serial code	Series range	Version	Profile	Position	Part no.
MR 130i EVO2	K078	1 - 9999	KRS 60	miscellaneous	for crusher housing / zone with limited accessibility	WX3182097
			KRS 40	miscellaneous	for screen casing	2998866
			KRS HW	rectangular	for lower crusher housing	2797999
			KRS 40	rectangular	for lower crusher housing	F20011161
			KRS 40	rectangular	for lower crusher housing	F20011162
			KRS 40	rectangular	for lower crusher housing	F20011160
			KRS HW	rectangular	for lower crusher housing	2797998
			KRS 60	square	for crusher housing	3061770
			KRS 60	rectangular	for crusher housing	3061760
			KRS 40	special variant	for feed hopper	2998444
			KRS 40	special variant	for feed hopper	2998471
			KRS 40	rectangular	for vibrating feeder / base	F20010854
			KRS 40	rectangular	for vibrating feeder / rear wall	F20010855
			KRS 40	rectangular	for vibrating feeder / side	F20008613
			KRS 40	rectangular	for vibrating feeder / side	F20008612
			KRS 40	rectangular	for vibrating feeder / left	F20008616
			KRS 40	rectangular	for vibrating extractor	2288301
			KRS 40	rectangular	for vibrating extractor	2288303
			KRS HW	rectangular	for lower crusher housing	2798000
			KRS 40	special variant	for screen casing	F20011469
			KRS 40	special variant	for screen casing	2261435
			KRS HW	special variant	for oversize grain conveyor ejector chute	2651464
			KRS HW	special variant	for oversize grain conveyor ejector chute	2651462
			KRS 40	special variant	for oversize grain conveyor ejector chute	2460479
			KRS HW	special variant	for oversize grain conveyor ejector chute	2651461

# ABRASION LINING

WEAR PLATES						
Series code	Serial code	Series range	Version	Profile	Position	Part no.
MR 130i EVO2	K078	1 - 9999	KRS 40	special variant	for oversize grain conveyor ejector chute	2460712
			KRS 40	special variant	for oversize grain conveyor ejector chute	2460739
			KRS HW	special variant	for oversize grain conveyor ejector chute	2651459
			KRS 60	special variant	for crusher housing / zone with limited accessibility	WX3181990
			KRS 60	special variant	for crusher housing / zone with limited accessibility	WX3182092
			KRS 60	special variant	for crusher housing / zone with limited accessibility	WX3182091
			KRS 40	rectangular	for oversize grain conveyor ejector chute	2460315
			KRS HW	rectangular	for oversize grain conveyor ejector chute	2651456
			KRS 40	special variant	for oversize grain conveyor ejector chute	2460427
			KRS 60	triangular	for crusher housing	WX3181833
			KRS 40	square	for crusher housing	F20009533
			KRS 40	rectangular	for crusher housing	F20009534
			KRS 40	triangular	for crusher housing	F20009535
			KRS HW	square	for crusher housing	2234056
			KRS HW	rectangular	for crusher housing	2234057
			KRS HW	triangular	for crusher housing	2245882
			KRS 50	square	for crusher housing	2389211
			KRS 50	rectangular	for crusher housing	2389216
			KRS 50	triangular	for crusher housing	2462226
		KRS 60	special variant	for crusher housing / zone with limited accessibility	WX3181998	
		4 - 9999	KRS 40	special variant	for screen casing	2353118
		236 - 9999	KRS 40	special variant	for screen casing	2647926



WEAR PLATES						
Series code	Serial code	Series range	Version	Profile	Position	Part no.
MR 130i EVO2	K078	236 - 9999	KRS 40	special variant	for screen casing	2647908
			KRS 40	special variant	for screen casing	2647790
MR 130 PRO	K124	1 - 9999	Gummi	miscellaneous	for vibrating extractor	2954464
			KRS 40	miscellaneous	for crusher housing	2966884
			KRS 60	miscellaneous	for crusher housing	WX3182093
			Gummi	miscellaneous	for vibrating extractor	3053502
			KRS HW	miscellaneous	for crusher housing	2966885
			KRS 40	miscellaneous	for oversize grain conveyor ejector chute	2460743
			KRS 60	miscellaneous	for crusher housing / zone with limited accessibility	WX3182097
			KRS 40	special variant	for feed hopper	2998444
			KRS 40	special variant	for feed hopper	2998471
			KRS 40	rectangular	for vibrating feeder / base	F20010854
			KRS 40	rectangular	for vibrating feeder / rear wall	F20010855
			KRS 40	rectangular	for vibrating feeder / side	F20008613
			KRS 40	rectangular	for vibrating feeder / side	F20008612
			KRS 40	rectangular	for vibrating feeder / left	F20008616
			KRS 40	rectangular	for vibrating extractor	2288301
			KRS 40	rectangular	for vibrating extractor	2288303
			KRS 40	rectangular	for oversize grain conveyor ejector chute	2460315
			KRS HW	rectangular	for oversize grain conveyor ejector chute	2651456
			KRS 40	special variant	for oversize grain conveyor ejector chute	2460427
			KRS HW	special variant	for oversize grain conveyor ejector chute	2651459
KRS 40	special variant	for oversize grain conveyor ejector chute	2460712			
KRS HW	special variant	for oversize grain conveyor ejector chute	2651461			
KRS 40	special variant	for oversize grain conveyor ejector chute	2460479			

# ABRASION LINING

WEAR PLATES						
Series code	Serial code	Series range	Version	Profile	Position	Part no.
MR 130 PRO	K124	1 - 9999	KRS HW	special variant	for oversize grain conveyor ejector chute	2651462
			KRS 40	special variant	for oversize grain conveyor ejector chute	2460739
			KRS HW	special variant	for oversize grain conveyor ejector chute	2651464
			KRS 60	rectangular	for crusher housing	3061760
			KRS 60	square	for crusher housing	3061770
			KRS 40	rectangular	for crusher housing	F20009534
			KRS 40	square	for crusher housing	F20009533
			KRS 50	triangular	for crusher housing	2462226
			KRS 50	rectangular	for crusher housing	2389216
			KRS 40	triangular	for crusher housing	F20009535
			KRS 50	square	for crusher housing	2389211
			KRS 60	special variant	for crusher housing / zone with limited accessibility	WX3181990
			KRS 60	special variant	for crusher housing / zone with limited accessibility	WX3182092
			KRS 60	special variant	for crusher housing / zone with limited accessibility	WX3182091
			KRS 60	special variant	for crusher housing / zone with limited accessibility	WX3181998
			KRS 60	triangular	for crusher housing	WX3181833
			KRS 40	special variant	for screen casing	2261435
			KRS 40	special variant	for screen casing	F20011469
			KRS HW	rectangular	for lower crusher housing	2798000
			KRS HW	rectangular	for lower crusher housing	2797999
			KRS 40	rectangular	for lower crusher housing	F20011161
			KRS 40	rectangular	for lower crusher housing	F20011162



WEAR PLATES								
Series code	Serial code	Series range	Version	Profile	Position	Part no.		
MR 130 PRO	K124	1 - 9999	KRS 40	rectangular	for lower crusher housing	F20011160		
			KRS HW	rectangular	for lower crusher housing	2797998		
			KRS HW	square	for crusher housing	2234056		
			KRS HW	rectangular	for crusher housing	2234057		
			KRS HW	triangular	for crusher housing	2245882		
		1 - 99999	KRS 40	miscellaneous	for feed hopper	2998502		
			KRS 40	miscellaneous	for screen casing	2998866		
		4 - 9999	KRS 40	special variant	for screen casing	2353118		
		236 - 9999	KRS 40	special variant	for screen casing	2647790		
			KRS 40	special variant	for screen casing	2647908		
			KRS 40	special variant	for screen casing	2647926		
		MR 130i PRO	K125	1 - 9999	Gummi	miscellaneous	for vibrating extractor	2954464
					KRS 40	miscellaneous	for crusher housing	2966884
KRS HW	miscellaneous				for crusher housing	2966885		
KRS 60	miscellaneous				for crusher housing	WX3182093		
KRS 40	miscellaneous				for oversize grain conveyor ejector chute	2460743		
Gummi	miscellaneous				for vibrating extractor	3053502		
KRS 40	miscellaneous				for screen casing	2998866		
KRS 60	miscellaneous				for crusher housing / zone with limited accessibility	WX3182097		
KRS 40	miscellaneous				for feed hopper	2998502		
KRS HW	rectangular				for oversize grain conveyor ejector chute	2651456		
KRS 40	special variant				for oversize grain conveyor ejector chute	2460427		
KRS HW	special variant				for oversize grain conveyor ejector chute	2651459		
KRS 40	special variant				for oversize grain conveyor ejector chute	2460712		
KRS HW	special variant				for oversize grain conveyor ejector chute	2651461		

# ABRASION LINING

WEAR PLATES						
Series code	Serial code	Series range	Version	Profile	Position	Part no.
MR 130i PRO	K125	1 - 9999	KRS 40	special variant	for oversize grain conveyor ejector chute	2460479
			KRS HW	special variant	for oversize grain conveyor ejector chute	2651462
			KRS 40	special variant	for oversize grain conveyor ejector chute	2460739
			KRS HW	special variant	for oversize grain conveyor ejector chute	2651464
			KRS 40	special variant	for screen casing	2261435
			KRS 40	rectangular	for oversize grain conveyor ejector chute	2460315
			KRS 40	rectangular	for vibrating extractor	2288303
			KRS 40	rectangular	for vibrating extractor	2288301
			KRS 40	rectangular	for vibrating feeder / left	F20008616
			KRS 40	rectangular	for vibrating feeder / side	F20008612
			KRS 40	rectangular	for vibrating feeder / side	F20008613
			KRS 40	rectangular	for vibrating feeder / rear wall	F20010855
			KRS 40	rectangular	for vibrating feeder / base	F20010854
			KRS 40	special variant	for feed hopper	2998471
			KRS 40	special variant	for feed hopper	2998444
			KRS 60	special variant	for crusher housing / zone with limited accessibility	WX3181990
			KRS 60	special variant	for crusher housing / zone with limited accessibility	WX3182092
			KRS 60	special variant	for crusher housing / zone with limited accessibility	WX3182091
			KRS 40	special variant	for screen casing	F20011469
			KRS HW	rectangular	for lower crusher housing	2798000
			KRS HW	rectangular	for lower crusher housing	2797999
			KRS 40	rectangular	for lower crusher housing	F20011161
			KRS 40	rectangular	for lower crusher housing	F20011162



WEAR PLATES						
Series code	Serial code	Series range	Version	Profile	Position	Part no.
MR 130i PRO	K125	1 - 9999	KRS 40	rectangular	for lower crusher housing	F20011160
			KRS HW	rectangular	for lower crusher housing	2797998
			KRS HW	square	for crusher housing	2234056
			KRS HW	rectangular	for crusher housing	2234057
			KRS HW	triangular	for crusher housing	2245882
			KRS 50	square	for crusher housing	2389211
			KRS 50	rectangular	for crusher housing	2389216
			KRS 50	triangular	for crusher housing	2462226
			KRS 40	square	for crusher housing	F20009533
			KRS 40	rectangular	for crusher housing	F20009534
			KRS 40	triangular	for crusher housing	F20009535
			KRS 60	square	for crusher housing	3061770
			KRS 60	rectangular	for crusher housing	3061760
			KRS 60	triangular	for crusher housing	WX3181833
			KRS 60	special variant	for crusher housing / zone with limited accessibility	WX3181998
		4 - 9999	KRS 40	special variant	for screen casing	2353118
		236 - 9999	KRS 40	special variant	for screen casing	2647926
			KRS 40	special variant	for screen casing	2647908
			KRS 40	special variant	for screen casing	2647790

Original KLEEMANN

# CRUSHER OVERLOAD PROTECTION



KLEEMANN pressure plates are used as crusher overload protection to prevent damage to the crushing chamber.

An overload can be caused by unbreakable materials such as pieces of steel. The pressure plate is designed to break at a specified pressure

due to its material properties. This opens up the crushing chamber, removing the load from the crusher and thus protecting it from damage. Thanks to their special shape and the fact that they are made of special steel, genuine KLEEMANN pressure plates are specially designed for the forces exerted in the crusher.



> Read more online

## PRESSURE PLATES

Pressure plates from KLEEMANN are used to protect the crusher from materials that cannot be processed, e.g. pieces of steel.



PRESSURE PLATES				
Series code	Serial code	Series range	Pressure resistance	Part no.
MC 100 R	K001	1 - 9999		F10351413
MC 100 EVO	K002	1 - 9999		2542240





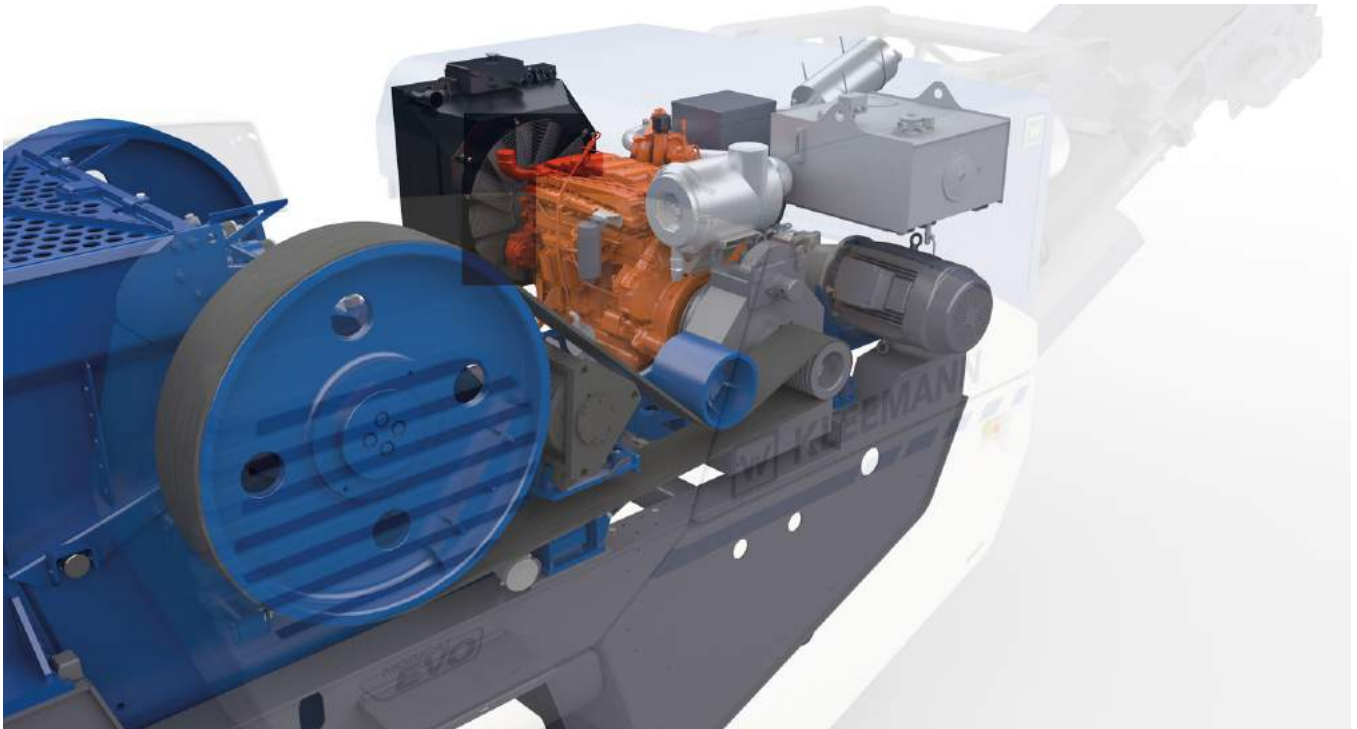
PRESSURE PLATES				
Series code	Serial code	Series range	Pressure resistance	Part no.
MC 100i EVO	K011	1 - 9999		2542240
MC 110 R EVO	K005	1 - 9999		2426262
MC 110 Ri EVO	K014	1 - 9999		2426262
MC 110 Z	K004	1 - 9999		F10377373
MC 110 Z EVO	K006	1 - 9999		2426262
MC 110 R	K003	1 - 9999		F10377373
MC 110 Zi EVO	K015	1 - 9999		2426262
MC 120 Z	K007	1 - 9999		2235531
MC 120 PRO	K034	1 - 9999		2558961
MC 120 i PRO	K035	1 - 9999		2558961
MC 125 PRO	K008	1 - 9999		F10264034
MC 110 EVO2	K116	1 - 9999		2426262
MC110i EVO2	K117	1 - 9999		2426262
MR 110 R EVO	K016	1 - 9999	250 bar	F20013771
			300 bar	F20013774
			350 bar	2228860
MR 110 Z EVO	K017	1 - 9999	250 bar	F20013771
			300 bar	F20013774
			350 bar	2228860
MR 110 EVO2	K018	1 - 9999	350 bar	2228860
			300 bar	F20013774
			250 bar	F20013771
MR 110 i EVO2	K019	1 - 9999	250 bar	F20013771
			300 bar	F20013774
			350 bar	2228860
MR 130 R EVO	K023	200 - 9999	350 bar	2228860

**CRUSHER OVERLOAD PROTECTION**

PRESSURE PLATES				
Series code	Serial code	Series range	Pressure resistance	Part no.
MR 130 R EVO	K023	200 - 9999	300 bar	F20013774
			250 bar	F20013771
MR 130 Z EVO	K024	301 - 9999	250 bar	F20013771
			300 bar	F20013774
			350 bar	2228860
MR 130 EVO2	K077	1 - 9999	250 bar	F20013771
			300 bar	F20013774
			350 bar	2228860
MR 130i EVO2	K078	1 - 9999	350 bar	2228860
			300 bar	F20013774
			250 bar	F20013771



# CRUSHER DRIVE



The high-performance, narrow V-belts for crusher drives are specially designed for large and heavy-duty drives. The low-stretch material features high tensile strength and also boasts extremely high abrasion and wear resistance. Unlike common V-

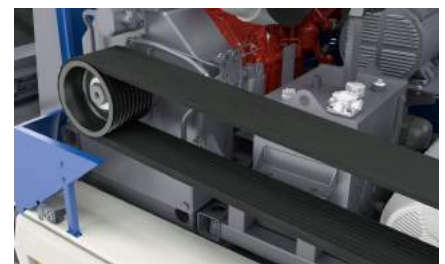
belts, the heavy-duty V-belts come in a tapered shape that creates a raised profile. This ensures that it also meets the high demands of the crusher drive and runs smoothly.



> Read more online

## NARROW BELTS

Genuine high-performance, narrow belts from KLEEMANN for crusher drives are specially designed for large and heavy-duty drives.



NARROW BELTS					
Series code	Serial code	Series range	Package content	Requirement	Part no.
MC 100 R	K001	1 - 9999		8 pc.	M00211423
MC 100 EVO	K002	1 - 9999		8 pc.	2337123
MC 100i EVO	K011	1 - 9999		8 pc.	2337123

**CRUSHER DRIVE**

NARROW BELTS					
Series code	Serial code	Series range	Package content	Requirement	Part no.
MC 110 R EVO	K005	1 - 9999		10 pc.	2290313
MC 110 Ri EVO	K014	1 - 9999		10 pc.	2290313
MC 110 Z	K004	1 - 9999		10 pc.	M00211423
MC 110 Z EVO	K006	1 - 9999		10 pc.	2290313
MC 110 R	K003	1 - 9999		10 pc.	M00211423
MC 110 Zi EVO	K015	1 - 9999		10 pc.	2290313
MC 120 Z	K007	1 - 9999		10 pc.	M10002720
MC 120 PRO	K034	1 - 9999		12 pc.	2466925
MC 120 i PRO	K035	1 - 9999		12 pc.	2466925
MC 125 PRO	K008	1 - 9999		10 pc.	M00211050
MR 100 Z	K013	1 - 9999		6 pc.	M10015185
MR 110 R EVO	K016	1 - 9999		8 pc.	2227289
MR 110 Z EVO	K017	1 - 9999		8 pc.	2227289
MR 110 EVO2	K018	1 - 9999	8 pc.	1 set	2404710
MR 110 i EVO2	K019	1 - 9999	8 pc.	1 set	2404710
MR 122 PRO	K062	1 - 9999		10 pc.	M10001690
MR 130 R	K023	1 - 199		10 pc.	M00211032
MR 130 R EVO	K023	200 - 9999		10 pc.	M00211041
MR 130 Z	K024	1 - 299		10 pc.	M00211032
MR 130 Z EVO	K024	301 - 9999		10 pc.	M00211041
MR 130 EVO2	K077	1 - 9999	10 pc.	1 set	2404713
MR 130i EVO2	K078	1 - 9999	10 pc.	1 set	2404713



# CONVEYOR UNIT



Among other factors, a plant's crushing capacity is also determined by the conveying capacity of the individual KLEEMANN conveying systems.

For many years, KLEEMANN has relied on three- or

multi-layer conveyor belts that can handle whatever demands are placed on them in quarries and gravel pits. In order for the conveyor to be operated on the conveyor, the two ends must be spliced so that it forms an endless loop.



> Read more online

## SCRAPER STRIPS

Genuine KLEEMANN scraper strips offer the protection required to ensure that the belts have a long service life.



SCRAPER STRIPS						
Series code	Serial code	Series range	Version	Conveyor type	Requirement	Part no.
MC 100 R	K001	1 - 9999	Flat scraper blade holder	Side discharge conveyor	1 pc.	F10362904
		35 - 9999	Wedge scraper strip	Crusher discharge conveyor	2 pc.	F20002398
			Wedge scraper strip	Side discharge conveyor	2 pc.	F20002473

# CONVEYOR UNIT

SCRAPER STRIPS							
Series code	Serial code	Series range	Version	Conveyor type	Requirement	Part no.	
MC 100 R	K001	35 - 9999	Flat scraper blade holder	Crusher discharge conveyor	1 pc.	F10362984	
MC 100 EVO	K002	1 - 9999	Front scraper strip	Crusher discharge conveyor	1 pc.	2277175	
			Wedge scraper strip	Crusher discharge conveyor	2 pc.	F20002406	
			Wedge scraper strip	Side discharge conveyor	2 pc.	F20002473	
		19 - 128	Front scraper strip	Crusher discharge conveyor	1 pc.	2220753	
		62 - 9999	Flat scraper blade holder				2478676
		66 - 9999	Front scraper strip	Crusher discharge conveyor	1 pc.	2225849	
MC 100i EVO	K011	1 - 9999	Wedge scraper strip	Side discharge conveyor	2 pc.	F20002473	
			Front scraper strip	Crusher discharge conveyor	1 pc.	2277175	
			Wedge scraper strip	Crusher discharge conveyor	2 pc.	F20002406	
		3 - 35	Front scraper strip	Crusher discharge conveyor	1 pc.	2220753	
		8 - 9999	Front scraper strip	Crusher discharge conveyor	1 pc.	2225849	
		11 - 9999	Flat scraper blade holder				2478676
MC 110 R EVO	K005	1 - 9999	Wedge scraper strip	Crusher discharge conveyor	2 pc.	F20002403	
			Wedge scraper strip			F20002399	
			Front scraper strip	Crusher discharge conveyor	1 pc.	2220753	
			Wedge scraper strip	Side discharge conveyor	2 pc.	F20002473	
		115 - 9999	Front scraper strip	Crusher discharge conveyor	1 pc.	2225849	
MC 110 Ri EVO	K014	1 - 9999	Wedge scraper strip	Crusher discharge conveyor	2 pc.	F20002403	
			Wedge scraper strip			F20002399	
			Front scraper strip	Crusher discharge conveyor	1 pc.	2220753	
			Wedge scraper strip	Side discharge conveyor	2 pc.	F20002473	
		20 - 9999	Front scraper strip	Crusher discharge conveyor	1 pc.	2225849	
MC 110 Z	K004	13 - 9999	Flat scraper blade holder	Side discharge conveyor	1 pc.	F10362934	
			Flat scraper blade holder	Crusher discharge conveyor; Fine grain conveyor	1 pc.	F10362994	
			Wedge scraper strip	Crusher discharge conveyor	2 pc.	F20002398	



SCRAPER STRIPS						
Series code	Serial code	Series range	Version	Conveyor type	Requirement	Part no.
MC 110 Z	K004	13 - 9999	Wedge scraper strip	Side discharge conveyor	2 pc.	F20002410
		200 - 9999	Wedge scraper strip	Fine grain conveyor	2 pc.	F20002422
MC 110 Z EVO	K006	1 - 9999	Wedge scraper strip	Crusher discharge conveyor	2 pc.	F20002403
			Wedge scraper strip			F20002399
			Front scraper strip	Crusher discharge conveyor	1 pc.	2220753
			Wedge scraper strip	Side discharge conveyor	2 pc.	F20002473
		216 - 9999	Front scraper strip	Crusher discharge conveyor	1 pc.	2225849
MC 110 R	K003	35 - 9999	Wedge scraper strip	Crusher discharge conveyor	2 pc.	F20002398
		200 - 9999	Flat scraper blade holder	Crusher discharge conveyor; Fine grain conveyor	1 pc.	F10362994
			Wedge scraper strip	Fine grain conveyor	2 pc.	F20002422
			Wedge scraper strip	Side discharge conveyor	2 pc.	F20002410
			Flat scraper blade holder	Side discharge conveyor	1 pc.	F10362934
MC 110 Zi EVO	K015	1 - 9999	Wedge scraper strip	Crusher discharge conveyor	2 pc.	F20002403
			Wedge scraper strip			F20002399
			Front scraper strip	Crusher discharge conveyor	1 pc.	2220753
			Wedge scraper strip	Side discharge conveyor	2 pc.	F20002473
		37 - 9999	Front scraper strip	Crusher discharge conveyor	1 pc.	2225849
MC 120 Z	K007	53 - 211	Wedge scraper strip	Crusher discharge conveyor	2 pc.	F20002406
			Wedge scraper strip			M10001229
		53 - 9999	Flat scraper blade holder	Side discharge conveyor	1 pc.	F10362934
			Flat scraper blade holder	Crusher discharge conveyor	1 pc.	F10363034
		212 - 9999	Wedge scraper strip	Side discharge conveyor	2 pc.	F20002410
			Wedge scraper strip	Crusher discharge conveyor	2 pc.	F20002833
	Wedge scraper strip			F20002834		
MC 120 PRO	K034	1 - 23	Flat scraper blade holder			2632197
		1 - 9999	Flat scraper blade holder			2501693

# CONVEYOR UNIT

SCRAPER STRIPS							
Series code	Serial code	Series range	Version	Conveyor type	Requirement	Part no.	
MC 120 PRO	K034	1 - 9999	Wedge scraper strip	Crusher discharge conveyor; Crusher discharge conveyor, foldable	2 pc.	F20002398	
			Front scraper strip	Crusher discharge conveyor, foldable	1 pc.	2528534	
			Front scraper strip	Crusher discharge conveyor	1 pc.	2560064	
			Wedge scraper strip	Side discharge conveyor	2 pc.	2473631	
		24 - 9999	Flat scraper blade holder				2632197
		40 - 9999	Front scraper strip				2646221
MC 120 i PRO	K035	1 - 4	Flat scraper blade holder			2632197	
		1 - 9999	Flat scraper blade holder			2501693	
			Front scraper strip	Crusher discharge conveyor, foldable	1 pc.	2528534	
			Front scraper strip	Crusher discharge conveyor	1 pc.	2560064	
			Wedge scraper strip	Crusher discharge conveyor; Crusher discharge conveyor, foldable	2 pc.	F20002398	
			Wedge scraper strip	Side discharge conveyor	2 pc.	2473631	
		4 - 9999	Front scraper strip			2646221	
		5 - 9999	Flat scraper blade holder			2632197	
MC 125 PRO	K008	200 - 9999	Wedge scraper strip	Side discharge conveyor	2 pc.	F20002398	
MC 110 EVO2	K116	1 - 9999	Flat scraper blade holder			2501693	
			Front scraper strip	Crusher discharge conveyor	1 pc.	2220753	
			Wedge scraper strip			2826324	
			Wedge scraper strip			2683525	
			Front scraper strip	Crusher discharge conveyor	1 pc.	2225849	
MC110i EVO2	K117	1 - 9999	Flat scraper blade holder			2501693	
			Front scraper strip	Crusher discharge conveyor	1 pc.	2220753	
			Wedge scraper strip			2826324	
			Wedge scraper strip			2683525	





SCRAPER STRIPS						
Series code	Serial code	Series range	Version	Conveyor type	Requirement	Part no.
MC110i EVO2	K117	1 - 9999	Front scraper strip	Crusher discharge conveyor	1 pc.	2225849
MCO 9 EVO	K072	1 - 97	Wedge scraper strip			F20002399
			Wedge scraper strip	Feeding conveyor	2 pc.	F20002403
		1 - 9999	Front scraper strip	Feeding conveyor	1 pc.	2220753
			Flat scraper blade holder	Main discharge conveyor, coarse grain	1 pc.	F10362934
			Front scraper strip	Crusher discharge conveyor	1 pc.	2277175
			Wedge scraper strip	Crusher discharge conveyor	2 pc.	F20002406
			Wedge scraper strip	Main discharge conveyor, coarse grain	2 pc.	F20002410
			Wedge scraper strip			2608496
		98 - 9999	Flat scraper blade holder			2501693
			Wedge scraper strip			F20002399
MCO 9i EVO	K073	1 - 14	Wedge scraper strip			F20002399
			Wedge scraper strip	Feeding conveyor	2 pc.	F20002403
		1 - 9999	Front scraper strip	Feeding conveyor	1 pc.	2220753
			Flat scraper blade holder	Main discharge conveyor, coarse grain	1 pc.	F10362934
			Front scraper strip	Crusher discharge conveyor	1 pc.	2277175
			Wedge scraper strip	Crusher discharge conveyor	2 pc.	F20002406
			Wedge scraper strip	Main discharge conveyor, coarse grain	2 pc.	F20002410
			Wedge scraper strip			2608496
		15 - 9999	Flat scraper blade holder			2501693
			Wedge scraper strip			F20002399
MCO 9 S EVO	K074	1 - 47	Wedge scraper strip			F20002399
			Front scraper strip	Feeding conveyor; Fine grain conveyor	1 pc.	2220753
		1 - 9999	Wedge scraper strip	Feeding conveyor; Fine grain conveyor	2 pc.	F20002403
			Wedge scraper strip	Return conveyor	2 pc.	F20009370
			Wedge scraper strip	Crusher discharge conveyor	2 pc.	F20002406
			Front scraper strip	Crusher discharge conveyor	1 pc.	2277175
			Flat scraper blade holder	Transfer belt	1 pc.	2349467

# CONVEYOR UNIT

SCRAPER STRIPS						
Series code	Serial code	Series range	Version	Conveyor type	Requirement	Part no.
MCO 9 S EVO	K074	48 - 9999	Wedge scraper strip			2608496
			Flat scraper blade holder			2501693
MCO 9 Si EVO	K075	1 - 11	Wedge scraper strip			F20002399
		1 - 9999	Wedge scraper strip	Crusher discharge conveyor	2 pc.	F20002406
			Front scraper strip	Crusher discharge conveyor	1 pc.	2277175
			Wedge scraper strip	Feeding conveyor; Fine grain conveyor	2 pc.	F20002403
			Flat scraper blade holder	Transfer belt	1 pc.	2349467
			Wedge scraper strip	Return conveyor	2 pc.	F20009370
			Front scraper strip	Feeding conveyor; Fine grain conveyor	1 pc.	2220753
		12 - 9999	Wedge scraper strip			2608496
			Flat scraper blade holder			2501693
		MCO 90 EVO2	K120	1 - 10	Wedge scraper strip	
1 - 9999	Flat scraper blade holder					2501693
	Flat scraper blade holder					2790232
	Flat scraper blade holder			Side discharge conveyor	1 pc.	F10362934
	Wedge scraper strip					F20002406
	Wedge scraper strip			Side discharge conveyor	2 pc.	F20002410
	Front scraper strip			Crusher discharge conveyor	1 pc.	2220753
	Wedge scraper strip					2794429
	Front scraper strip			Crusher discharge conveyor	1 pc.	2277175
	Wedge scraper strip					2868300
	Wedge scraper strip					2891292
	Flat scraper blade holder					2934625
11 - 9999	Wedge scraper strip					F20002399
	Wedge scraper strip			Crusher discharge conveyor	2 pc.	F20002403
MCO 90i EVO2	K121			1 - 24	Wedge scraper strip	



SCRAPER STRIPS						
Series code	Serial code	Series range	Version	Conveyor type	Requirement	Part no.
MCO 90i EVO2	K121	1 - 9999	Wedge scraper strip			2868300
			Wedge scraper strip			2794429
			Wedge scraper strip			F20002406
			Wedge scraper strip	Side discharge conveyor	2 pc.	F20002410
			Front scraper strip	Crusher discharge conveyor	1 pc.	2220753
			Front scraper strip	Crusher discharge conveyor	1 pc.	2277175
			Flat scraper blade holder			2501693
			Wedge scraper strip			2891292
			Flat scraper blade holder			2934625
			Flat scraper blade holder	Side discharge conveyor	1 pc.	F10362934
		Flat scraper blade holder			2790232	
				25 - 9999	Wedge scraper strip	
		Wedge scraper strip	Crusher discharge conveyor		2 pc.	F20002403
MCO 110 PRO	K110	1 - 9999	Flat scraper blade holder			2501693
			Wedge scraper strip			F20002399
			Wedge scraper strip	Side discharge conveyor	2 pc.	F20002410
			Wedge scraper strip	Feeding conveyor	2 pc.	F20002398
			Wedge scraper strip	Crusher discharge conveyor	2 pc.	F20002403
			Front scraper strip	Crusher discharge conveyor	1 pc.	2220753
			Flat scraper blade holder	Side discharge conveyor	1 pc.	F10362934
MCO 110i PRO	K111	1 - 9999	Flat scraper blade holder			2501693
			Wedge scraper strip			F20002399
			Wedge scraper strip	Side discharge conveyor	2 pc.	F20002410
			Wedge scraper strip	Feeding conveyor	2 pc.	F20002398
			Wedge scraper strip	Crusher discharge conveyor	2 pc.	F20002403
			Front scraper strip	Crusher discharge conveyor	1 pc.	2220753

# CONVEYOR UNIT

SCRAPER STRIPS						
Series code	Serial code	Series range	Version	Conveyor type	Requirement	Part no.
MCO 110i PRO	K111	1 - 9999	Flat scraper blade holder	Side discharge conveyor	1 pc.	F10362934
MR 100 R	K012	10 - 9999	Flat scraper blade holder	Side discharge conveyor	1 pc.	F10362934
			Wedge scraper strip	Return conveyor	2 pc.	F20002473
		33 - 9999	Flat scraper blade holder	Fine grain conveyor	1 pc.	F10362994
			Wedge scraper strip	Crusher discharge conveyor	2 pc.	F20002398
			Wedge scraper strip	Fine grain conveyor	2 pc.	F20002422
			Wedge scraper strip			M10001229
			Flat scraper blade holder			F10415013
		Flat scraper blade holder			F10362904	
		Flat scraper blade holder	Crusher discharge conveyor	1 pc.	F10362964	
MR 100 Z	K013	10 - 9999	Flat scraper blade holder			F10415013
			Flat scraper blade holder	Side discharge conveyor	1 pc.	F10362934
			Flat scraper blade holder	Crusher discharge conveyor	1 pc.	F10362964
			Wedge scraper strip	Return conveyor	2 pc.	F20002473
			Wedge scraper strip	Crusher discharge conveyor	2 pc.	F20002398
			Wedge scraper strip	Side discharge conveyor	2 pc.	F20002410
			Wedge scraper strip	Fine grain conveyor	2 pc.	F20002422
			Flat scraper blade holder	Fine grain conveyor	1 pc.	F10362994
MR 110 R EVO	K016	1 - 9999	Flat scraper blade holder			F10563444
			Flat scraper blade holder	Side discharge conveyor	1 pc.	F10362934
			Wedge scraper strip	Return conveyor	2 pc.	F20009370
			Wedge scraper strip	Crusher discharge conveyor; Fine grain conveyor (secondary screening unit)	2 pc.	F20002398
			Wedge scraper strip	Side discharge conveyor	2 pc.	F20002410
			Flat scraper blade holder	Crusher discharge conveyor; Fine grain conveyor (secondary screening unit)	1 pc.	F10362994



SCRAPER STRIPS							
Series code	Serial code	Series range	Version	Conveyor type	Requirement	Part no.	
MR 110 Z EVO	K017	3 - 9999	Flat scraper blade holder			F10563444	
			Flat scraper blade holder	Side discharge conveyor	1 pc.	F10362934	
			Wedge scraper strip	Return conveyor	2 pc.	F20009370	
			Wedge scraper strip	Crusher discharge conveyor; Fine grain conveyor (secondary screening unit)	2 pc.	F20002398	
			Wedge scraper strip	Side discharge conveyor	2 pc.	F20002410	
			Flat scraper blade holder	Crusher discharge conveyor; Fine grain conveyor (secondary screening unit)	1 pc.	F10362994	
MR 110 EVO2	K018	1 - 199	Flat scraper blade holder			2632197	
		1 - 9999	Wedge scraper strip				F20002399
			Wedge scraper strip				2473631
			Flat scraper blade holder	Side discharge conveyor	1 pc.	F10362934	
			Wedge scraper strip	Fine grain conveyor (secondary screening unit)	2 pc.	F20002403	
			Flat scraper blade holder	Transfer belt	1 pc.	2349467	
			Wedge scraper strip	Crusher discharge conveyor	2 pc.	F20002398	
			Wedge scraper strip	Side discharge conveyor	2 pc.	F20002410	
			Wedge scraper strip	Return conveyor	2 pc.	F20009370	
			Front scraper strip	Crusher discharge conveyor	1 pc.	2200439	
			Front scraper strip	Fine grain conveyor (secondary screening unit)	1 pc.	2220753	
		200 - 9999	Flat scraper blade holder				2632197
MR 110 i EVO2	K019	1 - 63	Flat scraper blade holder			2632197	
		1 - 9999	Wedge scraper strip				F20002399
			Wedge scraper strip				2473631
			Wedge scraper strip	Crusher discharge conveyor	2 pc.	F20002398	
			Flat scraper blade holder	Side discharge conveyor	1 pc.	F10362934	
			Flat scraper blade holder	Transfer belt	1 pc.	2349467	

# CONVEYOR UNIT

SCRAPER STRIPS						
Series code	Serial code	Series range	Version	Conveyor type	Requirement	Part no.
MR 110 i EVO2	K019	1 - 9999	Wedge scraper strip	Fine grain conveyor (secondary screening unit)	2 pc.	F20002403
			Wedge scraper strip	Side discharge conveyor	2 pc.	F20002410
			Wedge scraper strip	Return conveyor	2 pc.	F20009370
			Front scraper strip	Crusher discharge conveyor	1 pc.	2200439
			Front scraper strip	Fine grain conveyor (secondary screening unit)	1 pc.	2220753
		64 - 9999	Flat scraper blade holder			2632197
MR 122i PRO	K031	1 - 9999	Wedge scraper strip	Side discharge conveyor	2 pc.	F20002410
			Flat scraper blade holder	Crusher discharge conveyor	1 pc.	F10363034
			Wedge scraper strip			M10001229
			Wedge scraper strip			F20002834
			Wedge scraper strip			F20002833
MR 122 PRO	K062	66 - 202	Wedge scraper strip			F20002406
		66 - 9999	Flat scraper blade holder	Side discharge conveyor	1 pc.	F10362934
			Flat scraper blade holder	Crusher discharge conveyor	1 pc.	F10363034
			Wedge scraper strip	Crusher discharge conveyor	2 pc.	F20002833
		203 - 9999	Wedge scraper strip	Side discharge conveyor	2 pc.	F20002410
			Wedge scraper strip			M10001229
			Wedge scraper strip			F20002834
MR 130 Z	K024	70 - 299	Wedge scraper strip			F20002473
			Wedge scraper strip			F20002834
			Flat scraper blade holder			F10363024
			Wedge scraper strip			F20002833
		70 - 9999	Wedge scraper strip			F20002411
		301 - 9999	Flat scraper blade holder			F10563444
MR 130 Z EVO	K024	70 - 299	Wedge scraper strip	Side discharge conveyor	2 pc.	F20002410



SCRAPER STRIPS							
Series code	Serial code	Series range	Version	Conveyor type	Requirement	Part no.	
MR 130 Z EVO	K024	70 - 9999	Flat scraper blade holder	Crusher discharge conveyor; Fine grain conveyor (secondary screening unit)	1 pc.	F10363034	
			Wedge scraper strip	Crusher discharge conveyor; Fine grain conveyor (secondary screening unit)	2 pc.	F20002413	
			Flat scraper blade holder	Side discharge conveyor	1 pc.	F10362934	
		301 - 9999	Wedge scraper strip	Return conveyor	2 pc.	F20009370	
MR 130 EVO2	K077	1 - 246	Flat scraper blade holder			2632197	
		1 - 9999	Wedge scraper strip				F20002411
			Wedge scraper strip				2366893
			Wedge scraper strip				2473631
			Flat scraper blade holder	Side discharge conveyor	1 pc.	F10362934	
			Front scraper strip	Crusher discharge conveyor	1 pc.	2296878	
			Flat scraper blade holder	Transfer belt	1 pc.	2349467	
			Wedge scraper strip	Side discharge conveyor	2 pc.	F20002410	
			Wedge scraper strip	Crusher discharge conveyor	2 pc.	F20002413	
			Wedge scraper strip	Fine grain conveyor (secondary screening unit)	2 pc.	F20002422	
			Wedge scraper strip	Return conveyor	2 pc.	F20009370	
		Front scraper strip	Fine grain conveyor (secondary screening unit)	1 pc.	2200439		
		247 - 9999	Flat scraper blade holder				2632197
360 - 9999	Front scraper strip				2798866		
MR 130i EVO2	K078	1 - 62	Flat scraper blade holder			2632197	
		1 - 9999	Wedge scraper strip			2473631	
			Wedge scraper strip			F20002411	
			Wedge scraper strip			2366893	
			Flat scraper blade holder	Side discharge conveyor	1 pc.	F10362934	
Front scraper strip	Crusher discharge conveyor	1 pc.	2296878				

# CONVEYOR UNIT

SCRAPER STRIPS						
Series code	Serial code	Series range	Version	Conveyor type	Requirement	Part no.
MR 130i EVO2	K078	1 - 9999	Flat scraper blade holder	Transfer belt	1 pc.	2349467
			Wedge scraper strip	Side discharge conveyor	2 pc.	F20002410
			Wedge scraper strip	Crusher discharge conveyor	2 pc.	F20002413
			Wedge scraper strip	Fine grain conveyor (secondary screening unit)	2 pc.	F20002422
			Wedge scraper strip	Return conveyor	2 pc.	F20009370
			Front scraper strip	Fine grain conveyor (secondary screening unit)	1 pc.	2200439
		63 - 9999	Flat scraper blade holder			
102 - 9999	Front scraper strip				2798866	
MSS 352 EVO	K067	200 - 9999	Flat scraper blade holder			M10023642
			Flat scraper blade holder			2804951
			Wedge scraper strip			M10025010
			Flat scraper blade holder			M10025009
MSS 502 EVO	K066	200 - 9999	Wedge scraper strip	Rubber scraper		2431789
			Flat scraper blade holder			M10023642
			Flat scraper blade holder			M10022523
			Flat scraper blade holder			2804951
			Flat scraper blade holder			2597846
			Wedge scraper strip			2639196
			Wedge scraper strip			2523373
MS 14 Z	K068	200 - 9999	Flat scraper blade holder			M10022523
			Flat scraper blade holder			2804951
			Flat scraper blade holder			2597846
MS 15 Z-AD	K047	200 - 9999	Wedge scraper strip			2470306
			Wedge scraper strip			M10020098
			Flat scraper blade holder			M10022524
			Wedge scraper strip	Rubber scraper	1 pc.	2296723





SCRAPER STRIPS						
Series code	Serial code	Series range	Version	Conveyor type	Requirement	Part no.
MS 15 Z-AD	K047	200 - 9999	Flat scraper blade holder			M10022523
			Flat scraper blade holder			M10023642
MS 16 Z	K048	200 - 9999	Flat scraper blade holder			M10023642
			Wedge scraper strip			M10020098
			Flat scraper blade holder			2804951
			Wedge scraper strip			M10020345
			Wedge scraper strip			M10020199
MS 16 D	K049	200 - 9999	Flat scraper blade holder			M10023642
			Wedge scraper strip			2226198
			Flat scraper blade holder			2297384
			Flat scraper blade holder			2804951
			Wedge scraper strip			M10020199
			Wedge scraper strip			M10020345
			Wedge scraper strip			2598044
			Wedge scraper strip			M10020098
MS 19 Z	K054	200 - 9999	Flat scraper blade holder			M10023642
			Wedge scraper strip			M10020098
			Flat scraper blade holder			2804951
			Wedge scraper strip			M10020346
			Wedge scraper strip			M10020199
MS 19 D	K055	200 - 9999	Flat scraper blade holder			M10023642
			Wedge scraper strip			2226198
			Flat scraper blade holder			2297384
			Flat scraper blade holder			2804951
			Wedge scraper strip			M10020199
			Wedge scraper strip			M10020346

# CONVEYOR UNIT

SCRAPER STRIPS						
Series code	Serial code	Series range	Version	Conveyor type	Requirement	Part no.
MS 19 D	K055	200 - 9999	Wedge scraper strip			2598044
			Wedge scraper strip			M10020098
MSS 1102 PRO	K076	1 - 9999	Wedge scraper strip	Rubber scraper	1 pc.	2296736
			Flat scraper blade holder			2324869
			Wedge scraper strip			2343941
			Wedge scraper strip			2343946
			Flat scraper blade holder			2804951
			Wedge scraper strip			2358798
			Flat scraper blade holder			M10022523
			Flat scraper blade holder			M10022524
MSS 802 EVO	K082	10 - 9999	Flat scraper blade holder			2501693
			Wedge scraper strip			2699803
			Wedge scraper strip			2789837
			Flat scraper blade holder			2723333
			Wedge scraper strip			2724448
			Wedge scraper strip			2703199
MSC 702 EVO	K083	10 - 9999	Front scraper strip	Feeding conveyor; Main discharge conveyor, fine grain	1 pc.	2200439
			Flat scraper blade holder	Funnel discharge conveyor	1 pc.	2361541
			Wedge scraper strip	Main discharge conveyor, coarse grain; Side discharge conveyor, medium grain	2 pc.	2444218
			Wedge scraper strip	Funnel discharge conveyor	2 pc.	2411345
			Wedge scraper strip	Feeding conveyor; Main discharge conveyor, fine grain	2 pc.	2403854
MSC 703 EVO	K084	10 - 9999	Front scraper strip	Feeding conveyor; Main discharge conveyor, fine grain	1 pc.	2200439
			Flat scraper blade holder	Funnel discharge conveyor	1 pc.	2361541
			Wedge scraper strip	Main discharge conveyor, coarse grain	2 pc.	2361550



SCRAPER STRIPS						
Series code	Serial code	Series range	Version	Conveyor type	Requirement	Part no.
MSC 703 EVO	K084	10 - 9999	Wedge scraper strip	Side discharge conveyor, medium grain, left; Side discharge conveyor, medium grain, right	2 pc.	2444218
			Wedge scraper strip	Funnel discharge conveyor	2 pc.	2411345
			Flat scraper blade holder	Upper deck transfer conveyor	1 pc.	2435630
			Wedge scraper strip	Feeding conveyor; Main discharge conveyor, fine grain	2 pc.	2403854
MSC 952 EVO	K085	10 - 9999	Front scraper strip	Feeding conveyor; Main discharge conveyor, fine grain	1 pc.	2200439
			Flat scraper blade holder	Funnel discharge conveyor	1 pc.	2361541
			Wedge scraper strip	Side discharge conveyor, coarse grain, left; Side discharge conveyor, medium grain, right	2 pc.	2458446
			Wedge scraper strip	Funnel discharge conveyor	2 pc.	2411345
			Wedge scraper strip	Feeding conveyor; Main discharge conveyor, fine grain	2 pc.	2403854
MSC 953 EVO	K086	10 - 9999	Front scraper strip	Feeding conveyor; Main discharge conveyor, fine grain	1 pc.	2200439
			Flat scraper blade holder	Funnel discharge conveyor	1 pc.	2361541
			Wedge scraper strip	Main discharge conveyor, coarse grain	2 pc.	2361550
			Wedge scraper strip	Side discharge conveyor, medium grain, left; Side discharge conveyor, medium grain, right	2 pc.	2458446
			Wedge scraper strip	Funnel discharge conveyor	2 pc.	2411345
			Flat scraper blade holder	Upper deck transfer conveyor	1 pc.	2435630
			Wedge scraper strip	Feeding conveyor; Main discharge conveyor, fine grain	2 pc.	2403854
MSS 802i EVO	K102	10 - 9999	Flat scraper blade holder			2501693
			Wedge scraper strip			2699803
			Wedge scraper strip			2789837
			Flat scraper blade holder			2723333
			Wedge scraper strip			2724448
			Wedge scraper strip			2703199
MSC 702i EVO	K103	10 - 9999	Front scraper strip	Feeding conveyor; Main discharge conveyor, fine grain	1 pc.	2200439

# CONVEYOR UNIT

SCRAPER STRIPS						
Series code	Serial code	Series range	Version	Conveyor type	Requirement	Part no.
MSC 702i EVO	K103	10 - 9999	Flat scraper blade holder	Funnel discharge conveyor	1 pc.	2361541
			Wedge scraper strip	Main discharge conveyor, coarse grain; Side discharge conveyor, medium grain	2 pc.	2444218
			Wedge scraper strip	Funnel discharge conveyor	2 pc.	2411345
			Wedge scraper strip	Feeding conveyor; Main discharge conveyor, fine grain	2 pc.	2403854
MSC 703i EVO	K104	10 - 9999	Wedge scraper strip	Feeding conveyor; Main discharge conveyor, fine grain	2 pc.	2403854
			Front scraper strip	Feeding conveyor; Main discharge conveyor, fine grain	1 pc.	2200439
			Flat scraper blade holder	Funnel discharge conveyor	1 pc.	2361541
			Wedge scraper strip	Side discharge conveyor, medium grain, left; Side discharge conveyor, medium grain, right	2 pc.	2444218
			Wedge scraper strip	Funnel discharge conveyor	2 pc.	2411345
			Flat scraper blade holder	Upper deck transfer conveyor	1 pc.	2435630
			Wedge scraper strip	Main discharge conveyor, coarse grain	2 pc.	2361550
MSC 952i EVO	K105	10 - 9999	Front scraper strip	Feeding conveyor; Main discharge conveyor, fine grain	1 pc.	2200439
			Flat scraper blade holder	Funnel discharge conveyor	1 pc.	2361541
			Wedge scraper strip	Side discharge conveyor, coarse grain, left; Side discharge conveyor, medium grain, right	2 pc.	2458446
			Wedge scraper strip	Funnel discharge conveyor	2 pc.	2411345
			Wedge scraper strip	Feeding conveyor; Main discharge conveyor, fine grain	2 pc.	2403854
MSC 953i EVO	K106	10 - 9999	Flat scraper blade holder	Funnel discharge conveyor	1 pc.	2361541
			Wedge scraper strip	Main discharge conveyor, coarse grain	2 pc.	2361550
			Wedge scraper strip	Feeding conveyor; Main discharge conveyor, fine grain	2 pc.	2403854
			Front scraper strip	Feeding conveyor; Main discharge conveyor, fine grain	1 pc.	2200439
			Flat scraper blade holder	Upper deck transfer conveyor	1 pc.	2435630
			Wedge scraper strip	Side discharge conveyor, medium grain, left; Side discharge conveyor, medium grain, right	2 pc.	2458446



SCRAPER STRIPS						
Series code	Serial code	Series range	Version	Conveyor type	Requirement	Part no.
MSC 953i EVO	K106	10 - 9999	Wedge scraper strip	Funnel discharge conveyor	2 pc.	2411345
MSC 1202 PRO	K129	1 - 9999	Flat scraper blade holder			M10022524
			Wedge scraper strip			2343941
			Flat scraper blade holder			2804951
			Flat scraper blade holder			2860609
			Wedge scraper strip			M10020098
			Wedge scraper strip			2846752
MSC 1203 PRO	K130	1 - 9999	Flat scraper blade holder			M10022524
			Wedge scraper strip			2343941
			Flat scraper blade holder			2804951
			Flat scraper blade holder			2860609
			Wedge scraper strip			M10020098
			Wedge scraper strip			2846752
MBT24	K127	1 - 9999	Flat scraper blade holder			2798035
			Wedge scraper strip			2360658
MBW15	K126	1 - 9999	Wedge scraper strip			2846752
			Flat scraper blade holder			M10022523
MBT20	K128	1 - 9999	Flat scraper blade holder			2798035
			Wedge scraper strip			2360658

# Original KLEEMANN CONVEYOR UNIT

## CONVEYOR BELTS

KLEEMANN offers both conveyor belts that are already spliced end-to-end and open belts by the metre (intended for on-site vulcanisation).



CONVEYOR BELTS												
Series code	Serial code	Series range	Version	Variant	Conveyor belt type	Belt conveyor	Belt conveyor type	Belt conveyor side	Conveyor type	Conveyor length	Part no.	
MC 100 R	K001	35 - 9999	Open	Standard	Cleated belt	Electromagnetic separator	Standard		Electromagnetic separator	5.11 m	M10019955	
			Endless	Standard	Cleated belt	Electromagnetic separator	Standard		Electromagnetic separator	5.11 m	M10023314	
			ZIP CLIP	Standard	Cleated belt	Electromagnetic separator	Standard		Electromagnetic separator	5.11 m	2915582	
			ZIP CLIP	Standard	Cleated belt	Permanent magnetic separator	Standard		Permanent magnetic separator	4.715 m	2915584	
			Endless	Standard	Cleated belt	Permanent magnetic separator	Standard		Permanent magnetic separator	4.715 m	M10019176	
			Endless	Standard	Smooth	Pre-screen conveyor	Short		Side discharge conveyor	9 m	F20017275	



CONVEYOR BELTS												
Series code	Serial code	Series range	Version	Variant	Conveyor belt type	Belt conveyor	Belt conveyor type	Belt conveyor side	Conveyor type	Conveyor length	Part no.	
MC 100 R	K001	35 - 9999	Endless	Standard	Smooth	Crusher discharge conveyor	Complete		Crusher discharge conveyor	21.3 m	F20018220	
			Endless	Standard	Smooth	Crusher discharge conveyor	Folding		Crusher discharge conveyor	23.2 m	F20018394	
			Open	Standard	Cleated belt	Permanent magnetic separator	Standard		Permanent magnetic separator	4.715 m	2212014	
MC 100 EVO	K002	1 - 61	ZIP CLIP	Standard	Smooth	Crusher discharge conveyor	Complete		Crusher discharge conveyor	18.3 m	2850225	
			Endless	Standard	Smooth	Crusher discharge conveyor	Folding		Crusher discharge conveyor	21.4 m	2527277	
			Endless	Standard	Smooth	Crusher discharge conveyor	Complete		Crusher discharge conveyor	18.3 m	2527273	
			ZIP CLIP	Standard	Smooth	Crusher discharge conveyor	Folding		Crusher discharge conveyor	21.4 m	2902869	
		1 - 9999	Endless	Standard	Cleated belt	Electromagnetic separator	Standard		Electromagnetic separator	4.51 m	2323184	

# CONVEYOR UNIT

CONVEYOR BELTS											
Series code	Serial code	Series range	Version	Variant	Conveyor belt type	Belt conveyor	Belt conveyor type	Belt conveyor side	Conveyor type	Conveyor length	Part no.
MC 100 EVO	K002	1 - 9999	ZIP CLIP	Heavy duty	Cleated belt	Electromagnetic separator	Standard		Electromagnetic separator	4.51 m	2915543
			ZIP CLIP	Standard	Cleated belt	Electromagnetic separator	Standard		Electromagnetic separator	4.51 m	2915578
			ZIP CLIP	Standard	Cleated belt	Permanent magnetic separator	Standard		Permanent magnetic separator	4.715 m	2915584
			Open	Standard	Smooth	Pre-screen conveyor	Folding	Left/right	Pre-screen conveyor	11.75 m	2346890
			Open	Standard	Smooth	Pre-screen conveyor	Short	Left/right	Pre-screen conveyor	7.2 m	2346889
			Open	Standard	Cleated belt	Electromagnetic separator	Standard		Electromagnetic separator	4.51 m	2621694
			Open	Heavy duty	Cleated belt	Electromagnetic separator	Standard		Electromagnetic separator	4.51 m	2621696
			Endless	Standard	Smooth	Pre-screen conveyor	Folding	Left/right	Side discharge conveyor	10.75 m	2262332
			Endless	Standard	Smooth	Pre-screen conveyor	Short	Left/right	Side discharge conveyor	6.15 m	2226095





CONVEYOR BELTS											
Series code	Serial code	Series range	Version	Vari-ant	Con-veyor belt type	Belt con-veyor	Belt con-veyor type	Belt con-veyor side	Con-veyor type	Con-veyor length	Part no.
MC 100 EVO	K002	1 - 9999	ZIP CLIP	Stand-ard	Smoot-h	Pre-screen con-veyor	Short	Left/right	Pre-screen con-veyor	6.15 m	2902875
			ZIP CLIP	Stand-ard	Smoot-h	Pre-screen con-veyor	Fold-ing	Left/right	Pre-screen con-veyor	10.75 m	2902876
			Open	Stand-ard	Cleat-ed belt	Per-man-ent mag-net separ-ator	Stand-ard		Per-man-ent mag-net separ-ator	4.715 m	2212014
			End-less	Stand-ard	Cleat-ed belt	Per-man-ent mag-net separ-ator	Stand-ard		Per-man-ent mag-net separ-ator	4.715 m	M10019176
		62 - 9999	End-less	Stand-ard	Smoot-h	Crush-er dis-charge con-veyor	Com-plete		Crush-er dis-charge con-veyor	18.3 m	2551871
			ZIP CLIP	Stand-ard	Smoot-h	Crush-er dis-charge con-veyor	Com-plete		Crush-er dis-charge con-veyor	18.3 m	2850226
			End-less	Stand-ard	Smoot-h	Crush-er dis-charge con-veyor	Fold-ing		Crush-er dis-charge con-veyor	21.3 m	2552957
			ZIP CLIP	Stand-ard	Smoot-h	Crush-er dis-charge con-veyor	Fold-ing		Crush-er dis-charge con-veyor	21.3 m	2863348

# CONVEYOR UNIT

CONVEYOR BELTS											
Series code	Serial code	Series range	Version	Variant	Conveyor belt type	Belt conveyor	Belt conveyor type	Belt conveyor side	Conveyor type	Conveyor length	Part no.
MC 100i EVO	K011	1 - 10	Endless	Standard	Smooth	Crusher discharge conveyor	Complete		Crusher discharge conveyor	18.3 m	2527273
			ZIP CLIP	Standard	Smooth	Crusher discharge conveyor	Folding		Crusher discharge conveyor	21.4 m	2902869
			Endless	Standard	Smooth	Crusher discharge conveyor	Folding		Crusher discharge conveyor	21.4 m	2527277
			ZIP CLIP	Standard	Smooth	Crusher discharge conveyor	Complete		Crusher discharge conveyor	18.3 m	2850225
		1 - 9999	Open	Heavy duty	Cleated belt	Electromagnetic separator	Standard		Electromagnetic separator	4.51 m	2621696
			Open	Standard	Cleated belt	Electromagnetic separator	Standard		Electromagnetic separator	4.51 m	2621694
			Endless	Standard	Cleated belt	Electromagnetic separator	Standard		Electromagnetic separator	4.51 m	2323184
			Open	Standard	Smooth	Pre-screen conveyor	Short	Left/right	Pre-screen conveyor	7.2 m	2346889
			Open	Standard	Smooth	Pre-screen conveyor	Folding	Left/right	Pre-screen conveyor	11.75 m	2346890



CONVEYOR BELTS												
Series code	Serial code	Series range	Version	Variant	Conveyor belt type	Belt conveyor	Belt conveyor type	Belt conveyor side	Conveyor type	Conveyor length	Part no.	
MC 100i EVO	K011	1 - 9999	Endless	Standard	Smooth	Pre-screen conveyor	Folding	Left/right	Side discharge conveyor	10.75 m	2262332	
			Endless	Standard	Smooth	Pre-screen conveyor	Short	Left/right	Side discharge conveyor	6.15 m	2226095	
			Endless	Standard	Cleated belt	Permanent magnetic separator	Standard			Permanent magnetic separator	4.715 m	M10019176
			ZIP CLIP	Heavy duty	Cleated belt	Electromagnetic separator	Standard			Electromagnetic separator	4.51 m	2915543
			ZIP CLIP	Standard	Cleated belt	Electromagnetic separator	Standard			Electromagnetic separator	4.51 m	2915578
			ZIP CLIP	Standard	Cleated belt	Permanent magnetic separator	Standard			Permanent magnetic separator	4.715 m	2915584
			ZIP CLIP	Standard	Smooth	Pre-screen conveyor	Short	Left/right		Pre-screen conveyor	6.15 m	2902875
			ZIP CLIP	Standard	Smooth	Pre-screen conveyor	Folding	Left/right		Pre-screen conveyor	10.75 m	2902876

## CONVEYOR UNIT

CONVEYOR BELTS											
Series code	Serial code	Series range	Version	Variant	Conveyor belt type	Belt conveyor	Belt conveyor type	Belt conveyor side	Conveyor type	Conveyor length	Part no.
MC 100i EVO	K011	1 - 9999	Open	Standard	Cleated belt	Permanent magnetic separator	Standard		Permanent magnetic separator	4.715 m	2212014
			ZIP CLIP	Standard	Smooth	Crusher discharge conveyor	Folding		Crusher discharge conveyor	21.3 m	2863348
		11 - 9999	Endless	Standard	Smooth	Crusher discharge conveyor	Folding		Crusher discharge conveyor	21.3 m	2552957
			ZIP CLIP	Standard	Smooth	Crusher discharge conveyor	Complete		Crusher discharge conveyor	18.3 m	2850226
			Open	Standard	Smooth	Crusher discharge conveyor	Folding		Crusher discharge conveyor	22.8 m	2943959
			Endless	Standard	Smooth	Crusher discharge conveyor	Complete		Crusher discharge conveyor	18.3 m	2551871
MC 110 R EVO	K005	1 - 9999	Open	Standard	Cleated belt	Electromagnetic separator	Standard		Electromagnetic separator	4.51 m	2621694
			Open	Standard	Smooth	Pre-screen conveyor	Short	Left/right	Pre-screen conveyor	7.2 m	2346889
			Open	Standard	Smooth	Pre-screen conveyor	Folding	Left/right	Pre-screen conveyor	11.75 m	2346890



CONVEYOR BELTS											
Series code	Serial code	Series range	Version	Variant	Conveyor belt type	Belt conveyor	Belt conveyor type	Belt conveyor side	Conveyor type	Conveyor length	Part no.
MC 110 R EVO	K005	1 - 9999	Endless	Standard	Smooth	Crusher discharge conveyor	Complete		Crusher discharge conveyor	19.4 m	2343610
			Endless	Standard	Cleated belt	Electromagnetic separator	Standard		Electromagnetic separator	4.51 m	2323184
			ZIP CLIP	Standard	Cleated belt	Electromagnetic separator	Standard		Electromagnetic separator	4.51 m	2915578
			Open	Standard	Smooth	Crusher discharge conveyor	Complete		Crusher discharge conveyor	20.9 m	2410877
			Open	Standard	Smooth	Crusher discharge conveyor	Folding		Crusher discharge conveyor	23.9 m	2410888
			ZIP CLIP	Heavy duty	Cleated belt	Electromagnetic separator	Standard		Electromagnetic separator	4.51 m	2915543
			ZIP CLIP	Standard	Cleated belt	Permanent magnet separator	Standard		Permanent magnetic separator	4.715 m	2915584
			ZIP CLIP	Standard	Smooth	Pre-screen conveyor	Short	Left/right	Pre-screen conveyor	6.15 m	2902875
			ZIP CLIP	Standard	Smooth	Pre-screen conveyor	Folding	Left/right	Pre-screen conveyor	10.75 m	2902876

# CONVEYOR UNIT

CONVEYOR BELTS											
Series code	Serial code	Series range	Version	Variant	Conveyor belt type	Belt conveyor	Belt conveyor type	Belt conveyor side	Conveyor type	Conveyor length	Part no.
MC 110 R EVO	K005	1 - 9999	Open	Standard	Cleated belt	Permanent magnetic separator	Standard		Permanent magnetic separator	4.715 m	2212014
			ZIP CLIP	Standard	Smooth	Crusher discharge conveyor	Complete		Crusher discharge conveyor	19.4 m	2850229
			Endless	Standard	Smooth	Crusher discharge conveyor	Folding		Crusher discharge conveyor	22.4 m	2343611
			ZIP CLIP	Standard	Smooth	Crusher discharge conveyor	Folding		Crusher discharge conveyor	22.4 m	2853280
			Endless	Standard	Cleated belt	Permanent magnetic separator	Standard		Permanent magnetic separator	4.715 m	M10019176
			Endless	Standard	Smooth	Pre-screen conveyor	Short	Left/right	Side discharge conveyor	6.15 m	2226095
			Endless	Standard	Smooth	Pre-screen conveyor	Folding	Left/right	Side discharge conveyor	10.75 m	2262332
			Open	Heavy duty	Cleated belt	Electromagnetic separator	Standard		Electromagnetic separator	4.51 m	2621696



CONVEYOR BELTS												
Series code	Serial code	Series range	Version	Variant	Conveyor belt type	Belt conveyor	Belt conveyor type	Belt conveyor side	Conveyor type	Conveyor length	Part no.	
MC 110 Ri EVO	K014	1 - 9999	Open	Standard	Smooth	Pre-screen conveyor	Short	Left/right	Pre-screen conveyor	7.2 m	2346889	
			Endless	Standard	Smooth	Crusher discharge conveyor	Complete		Crusher discharge conveyor	19.4 m	2343610	
			Endless	Standard	Cleated belt	Electromagnetic separator	Standard			Electromagnetic separator	4.51 m	2323184
			Open	Standard	Cleated belt	Permanent magnetic separator	Standard			Permanent magnetic separator	4.715 m	2212014
			Open	Standard	Cleated belt	Electromagnetic separator	Standard			Electromagnetic separator	4.51 m	2621694
			Open	Heavy duty	Cleated belt	Electromagnetic separator	Standard			Electromagnetic separator	4.51 m	2621696
			Open	Standard	Smooth	Crusher discharge conveyor	Complete			Crusher discharge conveyor	20.9 m	2410877
			Open	Standard	Smooth	Crusher discharge conveyor	Folding			Crusher discharge conveyor	23.9 m	2410888

# CONVEYOR UNIT

CONVEYOR BELTS											
Series code	Serial code	Series range	Version	Variant	Conveyor belt type	Belt conveyor	Belt conveyor type	Belt conveyor side	Conveyor type	Conveyor length	Part no.
MC 110 Ri EVO	K014	1 - 9999	ZIP CLIP	Heavy duty	Cleated belt	Electromagnetic separator	Standard		Electromagnetic separator	4.51 m	2915543
			ZIP CLIP	Standard	Cleated belt	Electromagnetic separator	Standard		Electromagnetic separator	4.51 m	2915578
			ZIP CLIP	Standard	Cleated belt	Permanent magnetic separator	Standard		Permanent magnetic separator	4.715 m	2915584
			ZIP CLIP	Standard	Smooth	Pre-screen conveyor	Short	Left/right	Pre-screen conveyor	6.15 m	2902875
			ZIP CLIP	Standard	Smooth	Pre-screen conveyor	Folding	Left/right	Pre-screen conveyor	10.75 m	2902876
			ZIP CLIP	Standard	Smooth	Crusher discharge conveyor	Complete		Crusher discharge conveyor	19.4 m	2850229
			Endless	Standard	Smooth	Crusher discharge conveyor	Folding		Crusher discharge conveyor	22.4 m	2343611
			ZIP CLIP	Standard	Smooth	Crusher discharge conveyor	Folding		Crusher discharge conveyor	22.4 m	2853280





CONVEYOR BELTS												
Series code	Serial code	Series range	Version	Variant	Conveyor belt type	Belt conveyor	Belt conveyor type	Belt conveyor side	Conveyor type	Conveyor length	Part no.	
MC 110 Ri EVO	K014	1 - 9999	Endless	Standard	Cleated belt	Permanent magnet separator	Standard		Permanent magnetic separator	4.715 m	M10019176	
			Endless	Standard	Smooth	Pre-screen conveyor	Short	Left/right	Side discharge conveyor	6.15 m	2226095	
			Endless	Standard	Smooth	Pre-screen conveyor	Folding	Left/right	Side discharge conveyor	10.75 m	2262332	
			Open	Standard	Smooth	Pre-screen conveyor	Folding	Left/right	Pre-screen conveyor	11.75 m	2346890	
MC 110 Z	K004	200 - 9999	Open	Standard	Smooth	Pre-screen conveyor	Short		Pre-screen conveyor	9.9 m	2252553	
			Open	Standard	Smooth	Crusher discharge conveyor	Complete		Crusher discharge conveyor	21.9 m	2252890	
			Open	Standard	Smooth	Crusher discharge conveyor	Folding		Crusher discharge conveyor	23.5 m	2252897	
			Open	Standard	Cleated belt	Over-size grain conveyor	Standard		Over-size grain conveyor	13.9 m	2252904	
			Endless	Standard	Cleated belt	Over-size grain conveyor	Standard		Over-size grain conveyor	12.9 m	F20009761	

# CONVEYOR UNIT

CONVEYOR BELTS											
Series code	Serial code	Series range	Version	Variant	Conveyor belt type	Belt conveyor	Belt conveyor type	Belt conveyor side	Conveyor type	Conveyor length	Part no.
MC 110 Z	K004	200 - 9999	Open	Standard	Cleated belt	Electromagnetic separator	Standard		Electromagnetic separator	5.71 m	M20000485
			ZIP CLIP	Standard	Cleated belt	Permanent magnetic separator	Standard		Permanent magnetic separator	4.715 m	2915584
			ZIP CLIP	Standard	Cleated belt	Electromagnetic separator	Standard		Electromagnetic separator	5.71 m	2915592
			ZIP CLIP	Standard	Smooth	Pre-screen conveyor	Short		Pre-screen conveyor	8.9 m	2902871
			ZIP CLIP	Standard	Smooth	Crusher discharge conveyor	Folding		Crusher discharge conveyor	22 m	2902872
			ZIP CLIP	Standard	Smooth	Fine grain conveyor	Standard		Fine grain conveyor	11.6 m	2902880
			ZIP CLIP	Standard	Cleated belt	Over-size grain conveyor	Standard		Over-size grain conveyor	12.9 m	2902881
			Open	Standard	Cleated belt	Permanent magnetic separator	Standard		Permanent magnetic separator	4.715 m	2212014



CONVEYOR BELTS													
Series code	Serial code	Series range	Version	Variant	Conveyor belt type	Belt conveyor	Belt conveyor type	Belt conveyor side	Conveyor type	Conveyor length	Part no.		
MC 110 Z	K004	200 - 9999	ZIP CLIP	Standard	Smooth	Crusher discharge conveyor	Complete			Crusher discharge conveyor	20.4 m	2850227	
			ZIP CLIP	Standard	Smooth	Pre-screen conveyor	Long			Pre-screen conveyor	12.9 m	2849100	
			Endless	Standard	Cleated belt	Electromagnetic separator	Standard				Electromagnetic separator	5.71 m	2540777
			Endless	Standard	Cleated belt	Permanent magnetic separator	Standard				Permanent magnetic separator	4.715 m	M10019176
			Endless	Standard	Smooth	Pre-screen conveyor	Long				Side discharge conveyor	12.9 m	F20009762
			Endless	Standard	Smooth	Pre-screen conveyor	Short				Side discharge conveyor	8.9 m	F20011025
			Endless	Standard	Smooth	Crusher discharge conveyor	Complete				Crusher discharge conveyor	20.4 m	F20016923
			Endless	Standard	Smooth	Fine grain conveyor	Standard				Fine grain conveyor (secondary screening unit)	11.6 m	F20017395

# CONVEYOR UNIT

CONVEYOR BELTS												
Series code	Serial code	Series range	Version	Variant	Conveyor belt type	Belt conveyor	Belt conveyor type	Belt conveyor side	Conveyor type	Conveyor length	Part no.	
MC 110 Z	K004	200 - 9999	Endless	Standard	Smooth	Crusher discharge conveyor	Folding		Crusher discharge conveyor	22 m	F20017438	
			Open	Standard	Smooth	Fine grain conveyor	Standard		Fine grain conveyor	13.1 m	2252898	
			Open	Standard	Smooth	Pre-screen conveyor	Long		Pre-screen conveyor	13.9 m	2252545	
MC 110 ZEVO	K006	1 - 9999	Open	Standard	Smooth	Pre-screen conveyor	Folding	Left/right	Pre-screen conveyor	11.75 m	2346890	
			Endless	Standard	Smooth	Crusher discharge conveyor	Complete		Crusher discharge conveyor	19.4 m	2343610	
			Endless	Standard	Cleated belt	Electromagnetic separator	Standard		Electromagnetic separator	4.51 m	2323184	
			Open	Standard	Cleated belt	Electromagnetic separator	Standard		Electromagnetic separator	4.51 m	2621694	
			Open	Heavy duty	Cleated belt	Electromagnetic separator	Standard		Electromagnetic separator	4.51 m	2621696	
			Open	Standard	Smooth	Pre-screen conveyor	Short	Left/right	Pre-screen conveyor	7.2 m	2346889	
			Open	Standard	Smooth	Crusher discharge conveyor	Complete		Crusher discharge conveyor	20.9 m	2410877	



CONVEYOR BELTS												
Series code	Serial code	Series range	Version	Variant	Conveyor belt type	Belt conveyor	Belt conveyor type	Belt conveyor side	Conveyor type	Conveyor length	Part no.	
MC 110 Z EVO	K006	1 - 9999	Open	Standard	Smooth	Crusher discharge conveyor	Folding		Crusher discharge conveyor	23.9 m	2410888	
			ZIP CLIP	Heavy duty	Cleated belt	Electromagnetic separator	Standard		Electromagnetic separator	4.51 m	2915543	
			ZIP CLIP	Standard	Cleated belt	Electromagnetic separator	Standard		Electromagnetic separator	4.51 m	2915578	
			ZIP CLIP	Standard	Cleated belt	Permanent magnetic separator	Standard		Permanent magnetic separator	4.715 m	2915584	
			ZIP CLIP	Standard	Smooth	Pre-screen conveyor	Short	Left/right	Pre-screen conveyor	6.15 m	2902875	
			ZIP CLIP	Standard	Smooth	Pre-screen conveyor	Folding	Left/right	Pre-screen conveyor	10.75 m	2902876	
			Open	Standard	Cleated belt	Permanent magnetic separator	Standard		Permanent magnetic separator	4.715 m	2212014	
			ZIP CLIP	Standard	Smooth	Crusher discharge conveyor	Complete		Crusher discharge conveyor	19.4 m	2850229	

# CONVEYOR UNIT

CONVEYOR BELTS												
Series code	Serial code	Series range	Version	Variant	Conveyor belt type	Belt conveyor	Belt conveyor type	Belt conveyor side	Conveyor type	Conveyor length	Part no.	
MC 110 Z EVO	K006	1 - 9999	Endless	Standard	Smooth	Crusher discharge conveyor	Folding		Crusher discharge conveyor	22.4 m	2343611	
			ZIP CLIP	Standard	Smooth	Crusher discharge conveyor	Folding		Crusher discharge conveyor	22.4 m	2853280	
			Endless	Standard	Cleated belt	Permanent magnet separator	Standard		Permanent magnetic separator	4.715 m	M10019176	
			Endless	Standard	Smooth	Pre-screen conveyor	Short	Left/right	Side discharge conveyor	6.15 m	2226095	
			Endless	Standard	Smooth	Pre-screen conveyor	Folding	Left/right	Side discharge conveyor	10.75 m	2262332	
MC 110 R	K003	200 - 9999	Open	Standard	Smooth	Crusher discharge conveyor	Complete		Crusher discharge conveyor	21.9 m	2252890	
			Open	Standard	Smooth	Crusher discharge conveyor	Folding		Crusher discharge conveyor	23.5 m	2252897	
			Open	Standard	Cleated belt	Electromagnetic separator	Standard		Electromagnetic separator	5.71 m	M20000485	



CONVEYOR BELTS											
Series code	Serial code	Series range	Version	Variant	Conveyor belt type	Belt conveyor	Belt conveyor type	Belt conveyor side	Conveyor type	Conveyor length	Part no.
MC 110 R	K003	200 - 9999	ZIP CLIP	Standard	Cleated belt	Permanent magnetic separator	Standard		Permanent magnetic separator	4.715 m	2915584
			ZIP CLIP	Standard	Cleated belt	Electromagnetic separator	Standard		Electromagnetic separator	5.71 m	2915592
			ZIP CLIP	Standard	Smooth	Pre-screen conveyor	Short		Pre-screen conveyor	8.9 m	2902871
			ZIP CLIP	Standard	Smooth	Crusher discharge conveyor	Folding		Crusher discharge conveyor	22 m	2902872
			Open	Standard	Cleated belt	Permanent magnetic separator	Standard		Permanent magnetic separator	4.715 m	2212014
			ZIP CLIP	Standard	Smooth	Crusher discharge conveyor	Complete		Crusher discharge conveyor	20.4 m	2850227
			ZIP CLIP	Standard	Smooth	Pre-screen conveyor	Long		Pre-screen conveyor	12.9 m	2849100
			Endless	Standard	Cleated belt	Electromagnetic separator	Standard		Electromagnetic separator	5.71 m	2540777

## CONVEYOR UNIT

CONVEYOR BELTS											
Series code	Serial code	Series range	Version	Variant	Conveyor belt type	Belt conveyor	Belt conveyor type	Belt conveyor side	Conveyor type	Conveyor length	Part no.
MC 110 R	K003	200 - 9999	Endless	Standard	Cleated belt	Permanent magnet separator	Standard		Permanent magnetic separator	4.715 m	M10019176
			Endless	Standard	Smooth	Pre-screen conveyor	Long		Side discharge conveyor	12.9 m	F20009762
			Endless	Standard	Smooth	Pre-screen conveyor	Short		Side discharge conveyor	8.9 m	F20011025
			Endless	Standard	Smooth	Crusher discharge conveyor	Complete		Crusher discharge conveyor	20.4 m	F20016923
			Endless	Standard	Smooth	Fine grain conveyor	Standard		Fine grain conveyor (secondary screening unit)	11.6 m	F20017395
			Endless	Standard	Smooth	Crusher discharge conveyor	Folding		Crusher discharge conveyor	22 m	F20017438
			Open	Standard	Smooth	Pre-screen conveyor	Long		Pre-screen conveyor	13.9 m	2252545
			Open	Standard	Smooth	Pre-screen conveyor	Short		Pre-screen conveyor	9.9 m	2252553





CONVEYOR BELTS												
Series code	Serial code	Series range	Version	Variant	Conveyor belt type	Belt conveyor	Belt conveyor type	Belt conveyor side	Conveyor type	Conveyor length	Part no.	
MC 110 Zi EVO	K015	1 - 9999	Open	Standard	Smooth	Pre-screen conveyor	Short	Left/right	Pre-screen conveyor	7.2 m	2346889	
			Endless	Standard	Smooth	Crusher discharge conveyor	Complete		Crusher discharge conveyor	19.4 m	2343610	
			Endless	Standard	Cleated belt	Electromagnetic separator	Standard			Electromagnetic separator	4.51 m	2323184
			Open	Standard	Cleated belt	Electromagnetic separator	Standard			Electromagnetic separator	4.51 m	2621694
			Open	Heavy duty	Cleated belt	Electromagnetic separator	Standard			Electromagnetic separator	4.51 m	2621696
			Open	Standard	Cleated belt	Permanent magnetic separator	Standard			Permanent magnetic separator	4.715 m	2212014
			Open	Standard	Smooth	Crusher discharge conveyor	Complete			Crusher discharge conveyor	20.9 m	2410877
			Open	Standard	Smooth	Crusher discharge conveyor	Folding			Crusher discharge conveyor	23.9 m	2410888

# CONVEYOR UNIT

CONVEYOR BELTS											
Series code	Serial code	Series range	Version	Variant	Conveyor belt type	Belt conveyor	Belt conveyor type	Belt conveyor side	Conveyor type	Conveyor length	Part no.
MC 110 Zi EVO	K015	1 - 9999	ZIP CLIP	Heavy duty	Cleated belt	Electromagnetic separator	Standard		Electromagnetic separator	4.51 m	2915543
			ZIP CLIP	Standard	Cleated belt	Electromagnetic separator	Standard		Electromagnetic separator	4.51 m	2915578
			ZIP CLIP	Standard	Cleated belt	Permanent magnetic separator	Standard		Permanent magnetic separator	4.715 m	2915584
			ZIP CLIP	Standard	Smooth	Pre-screen conveyor	Short	Left/right	Pre-screen conveyor	6.15 m	2902875
			ZIP CLIP	Standard	Smooth	Pre-screen conveyor	Folding	Left/right	Pre-screen conveyor	10.75 m	2902876
			ZIP CLIP	Standard	Smooth	Crusher discharge conveyor	Complete		Crusher discharge conveyor	19.4 m	2850229
			Endless	Standard	Smooth	Crusher discharge conveyor	Folding		Crusher discharge conveyor	22.4 m	2343611
			ZIP CLIP	Standard	Smooth	Crusher discharge conveyor	Folding		Crusher discharge conveyor	22.4 m	2853280



CONVEYOR BELTS												
Series code	Serial code	Series range	Version	Variant	Conveyor belt type	Belt conveyor	Belt conveyor type	Belt conveyor side	Conveyor type	Conveyor length	Part no.	
MC 110 Zi EVO	K015	1 - 9999	Endless	Standard	Cleated belt	Permanent magnetic separator	Standard		Permanent magnetic separator	4.715 m	M10019176	
			Endless	Standard	Smooth	Pre-screen conveyor	Short	Left/right	Side discharge conveyor	6.15 m	2226095	
			Endless	Standard	Smooth	Pre-screen conveyor	Folding	Left/right	Side discharge conveyor	10.75 m	2262332	
			Open	Standard	Smooth	Pre-screen conveyor	Folding	Left/right	Pre-screen conveyor	11.75 m	2346890	
MC 120 Z	K007	53 - 211	Open	Standard	Smooth	Pre-screen conveyor	Long		Pre-screen conveyor	14 m	2252942	
			ZIP CLIP	Standard	Smooth	Pre-screen conveyor	Long		Pre-screen conveyor	12.96 m	2902873	
		53 - 9999	Open	Heavy duty	Cleated belt	Electromagnetic separator	Standard		Electromagnetic separator	5.91 m	2616308	
			Open	Standard	Smooth	Crusher discharge conveyor	Complete		Crusher discharge conveyor	22.5 m	2252938	
			Open	Standard	Smooth	Crusher discharge conveyor	Folding		Crusher discharge conveyor	22.5 m	2252939	

# CONVEYOR UNIT

CONVEYOR BELTS											
Series code	Serial code	Series range	Version	Variant	Conveyor belt type	Belt conveyor	Belt conveyor type	Belt conveyor side	Conveyor type	Conveyor length	Part no.
MC 120 Z	K007	53 - 9999	Endless	Standard	Cleated belt	Permanent magnetic separator	Standard		Permanent magnetic separator		2452708
			Open	Standard	Cleated belt	Permanent magnetic separator	Standard		Permanent magnetic separator	5.28 m	2452717
			ZIP CLIP	Standard	Cleated belt	Electromagnetic separator	Standard		Electromagnetic separator	5.91 m	2915595
			Open	Standard	Cleated belt	Electromagnetic separator	Standard		Electromagnetic separator	5.91 m	2616303
			Endless	Standard	Cleated belt	Electromagnetic separator	Standard		Electromagnetic separator	5.91 m	2203936
			ZIP CLIP	Standard	Smooth	Crusher discharge conveyor	Folding		Crusher discharge conveyor	24 m	2906256
			Endless	Standard	Smooth	Crusher discharge conveyor	Folding		Crusher discharge conveyor	24 m	F20018504
			ZIP CLIP	Standard	Smooth	Crusher discharge conveyor	Complete		Crusher discharge conveyor	21 m	2850180



CONVEYOR BELTS											
Series code	Serial code	Series range	Version	Variant	Conveyor belt type	Belt conveyor	Belt conveyor type	Belt conveyor side	Conveyor type	Conveyor length	Part no.
MC 120 Z	K007	53 - 9999	Endless	Standard	Smooth	Pre-screen conveyor	Long		Side discharge conveyor	12.9 m	F20009762
			Endless	Standard	Smooth	Crusher discharge conveyor	Complete		Crusher discharge conveyor	21 m	F20014924
			Endless	Standard	Smooth	Pre-screen conveyor	Long		Side discharge conveyor	13 m	F20015453
		212 - 9999	ZIP CLIP	Standard	Smooth	Pre-screen conveyor	Long		Pre-screen conveyor	12.9 m	2849100
			Open	Standard	Smooth	Pre-screen conveyor	Long		Pre-screen conveyor	13.9 m	2252545
MC 120 PRO	K034	1 - 9999	ZIP CLIP	Standard	Cleated belt	Electromagnetic separator	Standard		Electromagnetic separator	5.11 m	2910184
			Endless	Standard	Cleated belt	Permanent magnetic separator	Standard		Permanent magnetic separator	5.315 m	2701888
			Open	Standard	Cleated belt	Permanent magnetic separator	Standard		Permanent magnetic separator	5.315 m	M10015357

# CONVEYOR UNIT

CONVEYOR BELTS											
Series code	Serial code	Series range	Version	Variant	Conveyor belt type	Belt conveyor	Belt conveyor type	Belt conveyor side	Conveyor type	Conveyor length	Part no.
MC 120 PRO	K034	1 - 9999	ZIP CLIP	Heavy duty	Cleated belt	Electromagnetic separator	Standard		Electromagnetic separator	5.11 m	2915598
			ZIP CLIP	Heavy duty	Cleated belt	Permanent magnetic separator	Standard		Permanent magnetic separator	5.315 m	2915601
			Open	Heavy duty	Cleated belt	Electromagnetic separator	Standard		Electromagnetic separator	5.11 m	2361793
			ZIP CLIP	Standard	Smooth	Crusher discharge conveyor	with vibrating chute		Crusher discharge conveyor	25.3 m	2863215
			ZIP CLIP	Standard	Smooth	Crusher discharge conveyor	with vibrating chute		Crusher discharge conveyor	22.2 m	2863253
			ZIP CLIP	Standard	Smooth	Pre-screen conveyor	Folding	Left/right	Pre-screen conveyor	14.1 m	2863266
			ZIP CLIP	Standard	Smooth	Crusher discharge conveyor	without vibrating chute		Crusher discharge conveyor	28.7 m	2863268
			ZIP CLIP	Standard	Smooth	Crusher discharge conveyor	without vibrating chute		Crusher discharge conveyor	25.5 m	2863270



CONVEYOR BELTS											
Series code	Serial code	Series range	Version	Variant	Conveyor belt type	Belt conveyor	Belt conveyor type	Belt conveyor side	Conveyor type	Conveyor length	Part no.
MC 120 PRO	K034	1 - 9999	Open	Standard	Smooth	Crusher discharge conveyor	with vibrating chute		Crusher discharge conveyor	26.8 m	2681380
			Open	Standard	Smooth	Crusher discharge conveyor	with vibrating chute		Crusher discharge conveyor	23.7 m	2681387
			Open	Standard	Smooth	Crusher discharge conveyor	without vibrating chute		Crusher discharge conveyor	30.2 m	2681389
			Open	Standard	Smooth	Crusher discharge conveyor	without vibrating chute		Crusher discharge conveyor	27 m	2681391
			Open	Heavy duty	Cleated belt	Permanent magnet separator	Standard		Permanent magnetic separator	5.315 m	2210673
			Endless	Standard	Smooth	Crusher discharge conveyor	without vibrating chute		Crusher discharge conveyor, without chute	28.7 m	2538354
			Endless	Standard	Cleated belt	Electromagnetic separator	Standard		Electromagnetic separator	5.11 m	2540481

## CONVEYOR UNIT

CONVEYOR BELTS											
Series code	Serial code	Series range	Version	Variant	Conveyor belt type	Belt conveyor	Belt conveyor type	Belt conveyor side	Conveyor type	Conveyor length	Part no.
MC 120 PRO	K034	1 - 9999	Endless	Standard	Smooth	Crusher discharge conveyor	with vibrating chute		Crusher discharge conveyor with chute	22.2 m	2560616
			Endless	Standard	Smooth	Pre-screen conveyor	Folding	Left/right	Side discharge conveyor	14.1 m	2582476
			Endless	Standard	Smooth	Crusher discharge conveyor	without vibrating chute		Crusher discharge conveyor, without chute	25.5 m	2608905
			Endless	Standard	Smooth	Crusher discharge conveyor	with vibrating chute		Crusher discharge conveyor with chute	25.3 m	2617389
			Endless	Standard	Smooth	Pre-screen conveyor	Long	Left/right	Pre-screen conveyor	14.1 m	2647994
MC 120 i PRO	K035	1 - 9999	ZIP CLIP	Standard	Cleated belt	Electromagnetic separator	Standard		Electromagnetic separator	5.11 m	2910184
			Endless	Standard	Cleated belt	Permanent magnet separator	Standard		Permanent magnetic separator	5.315 m	2701888





CONVEYOR BELTS											
Series code	Serial code	Series range	Version	Variant	Conveyor belt type	Belt conveyor	Belt conveyor type	Belt conveyor side	Conveyor type	Conveyor length	Part no.
MC 120 i PRO	K035	1 - 9999	Open	Standard	Cleated belt	Permanent magnetic separator	Standard		Permanent magnetic separator	5.315 m	M10015357
			ZIP CLIP	Heavy duty	Cleated belt	Electromagnetic separator	Standard		Electromagnetic separator	5.11 m	2915598
			ZIP CLIP	Heavy duty	Cleated belt	Permanent magnetic separator	Standard		Permanent magnetic separator	5.315 m	2915601
			Open	Heavy duty	Cleated belt	Electromagnetic separator	Standard		Electromagnetic separator	5.11 m	2361793
			Open	Heavy duty	Cleated belt	Permanent magnetic separator	Standard		Permanent magnetic separator	5.315 m	2210673
			ZIP CLIP	Standard	Smooth	Crusher discharge conveyor	with vibrating chute		Crusher discharge conveyor	25.3 m	2863215
			ZIP CLIP	Standard	Smooth	Crusher discharge conveyor	with vibrating chute		Crusher discharge conveyor	22.2 m	2863253
			ZIP CLIP	Standard	Smooth	Pre-screen conveyor	Folding	Left/right	Pre-screen conveyor	14.1 m	2863266

## CONVEYOR UNIT

CONVEYOR BELTS											
Series code	Serial code	Series range	Version	Variant	Conveyor belt type	Belt conveyor	Belt conveyor type	Belt conveyor side	Conveyor type	Conveyor length	Part no.
MC 120 i PRO	K035	1 - 9999	ZIP CLIP	Standard	Smooth	Crusher discharge conveyor	without vibrating chute		Crusher discharge conveyor	28.7 m	2863268
			ZIP CLIP	Standard	Smooth	Crusher discharge conveyor	without vibrating chute		Crusher discharge conveyor	25.5 m	2863270
			Open	Standard	Smooth	Crusher discharge conveyor	with vibrating chute		Crusher discharge conveyor	26.8 m	2681380
			Open	Standard	Smooth	Crusher discharge conveyor	with vibrating chute		Crusher discharge conveyor	23.7 m	2681387
			Open	Standard	Smooth	Crusher discharge conveyor	without vibrating chute		Crusher discharge conveyor	30.2 m	2681389
			Open	Standard	Smooth	Crusher discharge conveyor	without vibrating chute		Crusher discharge conveyor	27 m	2681391
			Endless	Standard	Smooth	Crusher discharge conveyor	without vibrating chute		Crusher discharge conveyor, without chute	28.7 m	2538354
			Endless	Standard	Cleated belt	Electromagnetic separator	Standard		Electromagnetic separator	5.11 m	2540481



CONVEYOR BELTS											
Series code	Serial code	Series range	Version	Variant	Conveyor belt type	Belt conveyor	Belt conveyor type	Belt conveyor side	Conveyor type	Conveyor length	Part no.
MC 120 i PRO	K035	1 - 9999	Endless	Standard	Smooth	Crusher discharge conveyor	with vibrating chute		Crusher discharge conveyor with chute	22.2 m	2560616
			Endless	Standard	Smooth	Pre-screen conveyor	Folding	Left/right	Side discharge conveyor	14.1 m	2582476
			Endless	Standard	Smooth	Crusher discharge conveyor	without vibrating chute		Crusher discharge conveyor, without chute	25.5 m	2608905
			Endless	Standard	Smooth	Crusher discharge conveyor	with vibrating chute		Crusher discharge conveyor with chute	25.3 m	2617389
			Endless	Standard	Smooth	Pre-screen conveyor	Long	Left/right	Pre-screen conveyor	14.1 m	2647994
MC 125 PRO	K008	5 - 9999	Endless	Standard	Cleated belt	Electromagnetic separator	Standard		Electromagnetic separator	5.71 m	2540777
MC 110 EVO2	K116	1 - 9999	Open	Standard	Cleated belt	Electromagnetic separator	Standard		Electromagnetic separator	4.51 m	2621694
			Endless	Standard	Smooth	Crusher discharge conveyor	Complete		Crusher discharge conveyor	20.05 m	2757762

## CONVEYOR UNIT

CONVEYOR BELTS											
Series code	Serial code	Series range	Version	Variant	Conveyor belt type	Belt conveyor	Belt conveyor type	Belt conveyor side	Conveyor type	Conveyor length	Part no.
MC 110 EVO2	K116	1 - 9999	ZIP CLIP	Heavy duty	Cleated belt	Permanent magnetic separator	Standard		Permanent magnetic separator	4.78 m	2972591
			ZIP CLIP	Standard	Cleated belt	Permanent magnetic separator	Standard		Permanent magnetic separator	4.78 m	2972601
			ZIP CLIP	Standard	Smooth - TOUGHFLEX EPP	Crusher discharge conveyor	Folding		Crusher discharge conveyor	23.05 m	2978496
			ZIP CLIP	Heavy duty	Smooth - TOUGHFLEX EPP	Crusher discharge conveyor	Complete		Crusher discharge conveyor	20.05 m	2978498
			ZIP CLIP	Standard	Smooth	Crusher discharge conveyor	Folding		Crusher discharge conveyor	23.05 m	2915418
			ZIP CLIP	Standard	Smooth	Crusher discharge conveyor	Complete		Crusher discharge conveyor	20.05 m	2915437
			ZIP CLIP	Heavy duty	Cleated belt	Electromagnetic separator	Standard		Electromagnetic separator	4.51 m	2915543
			ZIP CLIP	Standard	Cleated belt	Electromagnetic separator	Standard		Electromagnetic separator	4.51 m	2915578



CONVEYOR BELTS											
Series code	Serial code	Series range	Version	Variant	Conveyor belt type	Belt conveyor	Belt conveyor type	Belt conveyor side	Conveyor type	Conveyor length	Part no.
MC 110 EVO2	K116	1 - 9999	Open	Standard	Smooth	Pre-screen conveyor	Short	Left/right	Pre-screen conveyor	7.2 m	2346889
			Open	Standard	Smooth	Pre-screen conveyor	Folding	Left/right	Pre-screen conveyor	11.75 m	2346890
			Endless	Standard	Cleated belt	Electromagnetic separator	Standard		Electromagnetic separator	4.51 m	2323184
			Endless	Standard	Cleated belt	Permanent magnetic separator	Standard		Permanent magnetic separator	4.78 m	2896379
			ZIP CLIP	Standard	Smooth	Pre-screen conveyor	Short	Left/right	Pre-screen conveyor	6.15 m	2902875
			ZIP CLIP	Standard	Smooth	Pre-screen conveyor	Folding	Left/right	Pre-screen conveyor	10.75 m	2902876
			Endless	Standard	Smooth	Crusher discharge conveyor	Folding		Crusher discharge conveyor	23.05 m	2814449
			Endless	Standard	Smooth	Pre-screen conveyor	Short	Left/right	Side discharge conveyor	6.15 m	2226095
			Endless	Standard	Smooth	Pre-screen conveyor	Folding	Left/right	Side discharge conveyor	10.75 m	2262332

# CONVEYOR UNIT

CONVEYOR BELTS												
Series code	Serial code	Series range	Version	Variant	Conveyor belt type	Belt conveyor	Belt conveyor type	Belt conveyor side	Conveyor type	Conveyor length	Part no.	
MC 110 EVO2	K116	1 - 9999	Open	Standard	Smooth	Crusher discharge conveyor	Folding		Crusher discharge conveyor	24.5 m	2814831	
			Open	Standard	Smooth	Crusher discharge conveyor	Complete		Crusher discharge conveyor	21.5 m	2828480	
			Endless	Heavy duty	Smooth - TOUGHFLEX EPP	Crusher discharge conveyor	Folding		Crusher discharge conveyor	23.05 m	2845542	
			Endless	Heavy duty	Smooth - TOUGHFLEX EPP	Crusher discharge conveyor	Complete		Crusher discharge conveyor	20.05 m	2845553	
			Open	Heavy duty	Cleated belt	Electromagnetic separator	Standard		Electromagnetic separator	4.51 m	2621696	
MC110i EVO2	K117	1 - 9999	Open	Standard	Cleated belt	Electromagnetic separator	Standard		Electromagnetic separator	4.51 m	2621694	
			Endless	Heavy duty	Smooth - TOUGHFLEX EPP	Crusher discharge conveyor	Complete		Crusher discharge conveyor	20.05 m	2845553	
			ZIP CLIP	Heavy duty	Cleated belt	Permanent magnet separator	Standard		Permanent magnetic separator	4.78 m	2972591	



CONVEYOR BELTS											
Series code	Serial code	Series range	Version	Variant	Conveyor belt type	Belt conveyor	Belt conveyor type	Belt conveyor side	Conveyor type	Conveyor length	Part no.
MC110i EVO2	K117	1 - 9999	ZIP CLIP	Standard	Cleated belt	Permanent magnetic separator	Standard		Permanent magnetic separator	4.78 m	2972601
			ZIP CLIP	Standard	Smooth - TOUGHFLEX EPP	Crusher discharge conveyor	Folding		Crusher discharge conveyor	23.05 m	2978496
			ZIP CLIP	Heavy duty	Smooth - TOUGHFLEX EPP	Crusher discharge conveyor	Complete		Crusher discharge conveyor	20.05 m	2978498
			ZIP CLIP	Standard	Smooth	Crusher discharge conveyor	Folding		Crusher discharge conveyor	23.05 m	2915418
			ZIP CLIP	Standard	Smooth	Crusher discharge conveyor	Complete		Crusher discharge conveyor	20.05 m	2915437
			ZIP CLIP	Heavy duty	Cleated belt	Electromagnetic separator	Standard		Electromagnetic separator	4.51 m	2915543
			ZIP CLIP	Standard	Cleated belt	Electromagnetic separator	Standard		Electromagnetic separator	4.51 m	2915578
			Open	Standard	Smooth	Pre-screen conveyor	Short	Left/right	Pre-screen conveyor	7.2 m	2346889
			Open	Standard	Smooth	Pre-screen conveyor	Folding	Left/right	Pre-screen conveyor	11.75 m	2346890

## CONVEYOR UNIT

CONVEYOR BELTS											
Series code	Serial code	Series range	Version	Variant	Conveyor belt type	Belt conveyor	Belt conveyor type	Belt conveyor side	Conveyor type	Conveyor length	Part no.
MC110i EVO2	K117	1 - 9999	Endless	Standard	Cleated belt	Electromagnetic separator	Standard		Electromagnetic separator	4.51 m	2323184
			Endless	Standard	Cleated belt	Permanent magnetic separator	Standard		Permanent magnetic separator	4.78 m	2896379
			ZIP CLIP	Standard	Smooth	Pre-screen conveyor	Short	Left/right	Pre-screen conveyor	6.15 m	2902875
			ZIP CLIP	Standard	Smooth	Pre-screen conveyor	Folding	Left/right	Pre-screen conveyor	10.75 m	2902876
			Endless	Standard	Smooth	Crusher discharge conveyor	Complete		Crusher discharge conveyor	20.05 m	2757762
			Endless	Standard	Smooth	Pre-screen conveyor	Short	Left/right	Side discharge conveyor	6.15 m	2226095
			Endless	Standard	Smooth	Pre-screen conveyor	Folding	Left/right	Side discharge conveyor	10.75 m	2262332
			Endless	Standard	Smooth	Crusher discharge conveyor	Folding		Crusher discharge conveyor	23.05 m	2814449
			Open	Standard	Smooth	Crusher discharge conveyor	Folding		Crusher discharge conveyor	24.5 m	2814831





CONVEYOR BELTS												
Series code	Serial code	Series range	Version	Variant	Conveyor belt type	Belt conveyor	Belt conveyor type	Belt conveyor side	Conveyor type	Conveyor length	Part no.	
MC110i EVO2	K117	1 - 9999	Open	Standard	Smooth	Crusher discharge conveyor	Complete		Crusher discharge conveyor	21.5 m	2828480	
			Endless	Heavy duty	Smooth - TOUGHFLEX EPP	Crusher discharge conveyor	Folding		Crusher discharge conveyor	23.05 m	2845542	
			Open	Heavy duty	Cleated belt	Electromagnetic separator	Standard		Electromagnetic separator	4.51 m	2621696	
MCO 9 EVO	K072	1 - 9999	Open	Standard	Smooth	Pre-screen conveyor	Long		Over-size grain conveyor	13.9 m	2252545	
			Open	Standard	Smooth	Feeding conveyor	Standard		Feeding conveyor	15.1 m	2516454	
			Open	Standard	Smooth	Crusher discharge conveyor	Complete		Crusher discharge conveyor	19.6 m	2392077	
			Open	Standard	Smooth	Crusher discharge conveyor	Folding		Crusher discharge conveyor	22.8 m	2392099	
			ZIP CLIP	Standard	Smooth	Crusher discharge conveyor	Complete		Crusher discharge conveyor	18.6 m	2863333	
			Endless	Standard	Smooth	Feeding conveyor	Standard		Feeding conveyor	13.6 m	2454068	

## CONVEYOR UNIT

CONVEYOR BELTS											
Series code	Serial code	Series range	Version	Variant	Conveyor belt type	Belt conveyor	Belt conveyor type	Belt conveyor side	Conveyor type	Conveyor length	Part no.
MCO 9 EVO	K072	1 - 9999	ZIP CLIP	Standard	Smooth	Pre-screen conveyor	Long		Over-size grain conveyor	12.9 m	2849100
			Endless	Standard	Smooth	Pre-screen conveyor	Long		Main discharge conveyor, coarse grain	12.9 m	F20009762
			Endless	Standard	Smooth	Crusher discharge conveyor	Complete		Crusher discharge conveyor	18.6 m	2307107
			Endless	Standard	Smooth	Crusher discharge conveyor	Folding		Crusher discharge conveyor	21.8 m	2336946
			ZIP CLIP	Standard	Smooth	Crusher discharge conveyor	Folding		Crusher discharge conveyor	21.8 m	2863342
MCO 9i EVO	K073	1 - 9999	Open	Standard	Smooth	Pre-screen conveyor	Long		Over-size grain conveyor	13.9 m	2252545
			Open	Standard	Smooth	Crusher discharge conveyor	Folding		Crusher discharge conveyor	22.8 m	2392099
			Open	Standard	Smooth	Feeding conveyor	Standard		Feeding conveyor	15.1 m	2516454



CONVEYOR BELTS											
Series code	Serial code	Series range	Version	Variant	Conveyor belt type	Belt conveyor	Belt conveyor type	Belt conveyor side	Conveyor type	Conveyor length	Part no.
MCO 9i EVO	K073	1 - 9999	Open	Standard	Smooth	Crusher discharge conveyor	Complete		Crusher discharge conveyor	19.6 m	2392077
			ZIP CLIP	Standard	Smooth	Crusher discharge conveyor	Folding		Crusher discharge conveyor	21.8 m	2863342
			Endless	Standard	Smooth	Feeding conveyor	Standard		Feeding conveyor	13.6 m	2454068
			ZIP CLIP	Standard	Smooth	Pre-screen conveyor	Long		Over-size grain conveyor	12.9 m	2849100
			Endless	Standard	Smooth	Pre-screen conveyor	Long		Main discharge conveyor, coarse grain	12.9 m	F20009762
			Endless	Standard	Smooth	Crusher discharge conveyor	Complete		Crusher discharge conveyor	18.6 m	2307107
			Endless	Standard	Smooth	Crusher discharge conveyor	Folding		Crusher discharge conveyor	21.8 m	2336946
			ZIP CLIP	Standard	Smooth	Crusher discharge conveyor	Complete		Crusher discharge conveyor	18.6 m	2863333
MCO 9 S EVO	K074	1 - 9999	Open	Standard	Smooth	Transfer conveyor	Standard		Transfer belt	4.8 m	2252542

# CONVEYOR UNIT

CONVEYOR BELTS											
Series code	Serial code	Series range	Version	Variant	Conveyor belt type	Belt conveyor	Belt conveyor type	Belt conveyor side	Conveyor type	Conveyor length	Part no.
MCO 9 S EVO	K074	1 - 9999	Open	Standard	Smooth	Crusher discharge conveyor	Complete		Crusher discharge conveyor	19.6 m	2392109
			Open	Standard	Smooth	Feeding conveyor	Standard		Feeding conveyor	15.1 m	2516454
			Open	Standard	Smooth	Fine grain conveyor	Standard		Fine grain conveyor	15.5 m	2322379
			Open	Standard	Cleated belt	Return conveyor	Standard		Return conveyor	21.7 m	2377877
			ZIP CLIP	Standard	Smooth	Fine grain conveyor	Standard		Fine grain conveyor	14.5 m	2902935
			Endless	Standard	Smooth	Feeding conveyor	Standard		Feeding conveyor	13.6 m	2454068
			ZIP CLIP	Standard	Smooth	Crusher discharge conveyor	Complete		Crusher discharge conveyor	19.6 m	2863276
			ZIP CLIP	Standard	Smooth	Transfer conveyor	Standard		Transfer belt	3.8 m	2849098
			Endless	Standard	Smooth	Transfer conveyor	Standard		Transfer belt	3.8 m	F20014794
			Endless	Standard	Cleated belt	Return conveyor	Standard		Return conveyor	20.3 m	2305085
Endless	Standard	Smooth	Fine grain conveyor	Standard		Fine grain conveyor	14.5 m	2322377			



CONVEYOR BELTS												
Series code	Serial code	Series range	Version	Variant	Conveyor belt type	Belt conveyor	Belt conveyor type	Belt conveyor side	Conveyor type	Conveyor length	Part no.	
MCO 9 S EVO	K074	1 - 9999	Endless	Standard	Smooth	Crusher discharge conveyor	Complete		Crusher discharge conveyor	19.6 m	2339948	
			ZIP CLIP	Standard	Cleated belt	Return conveyor	Standard		Return conveyor	20.3 m	2850173	
MCO 9 Si EVO	K075	1 - 9999	Open	Standard	Smooth	Transfer conveyor	Standard		Transfer belt	4.8 m	2252542	
			Open	Standard	Smooth	Crusher discharge conveyor	Complete		Crusher discharge conveyor	19.6 m	2392109	
			Open	Standard	Smooth	Feeding conveyor	Standard		Feeding conveyor	15.1 m	2516454	
			Open	Standard	Smooth	Fine grain conveyor	Standard		Fine grain conveyor	15.5 m	2322379	
			Open	Standard	Cleated belt	Return conveyor	Standard		Return conveyor	21.7 m	2377877	
			ZIP CLIP	Standard	Smooth	Fine grain conveyor	Standard		Fine grain conveyor	14.5 m	2902935	
			Endless	Standard	Smooth	Feeding conveyor	Standard		Feeding conveyor	13.6 m	2454068	
			ZIP CLIP	Standard	Smooth	Crusher discharge conveyor	Complete		Crusher discharge conveyor	19.6 m	2863276	
			ZIP CLIP	Standard	Smooth	Transfer conveyor	Standard		Transfer belt	3.8 m	2849098	

# CONVEYOR UNIT

CONVEYOR BELTS											
Series code	Serial code	Series range	Version	Variant	Conveyor belt type	Belt conveyor	Belt conveyor type	Belt conveyor side	Conveyor type	Conveyor length	Part no.
MCO 9 Si EVO	K075	1 - 9999	Endless	Standard	Smooth	Transfer conveyor	Standard		Transfer belt	3.8 m	F20014794
			Endless	Standard	Cleated belt	Return conveyor	Standard		Return conveyor	20.3 m	2305085
			Endless	Standard	Smooth	Fine grain conveyor	Standard		Fine grain conveyor	14.5 m	2322377
			Endless	Standard	Smooth	Crusher discharge conveyor	Complete		Crusher discharge conveyor	19.6 m	2339948
			ZIP CLIP	Standard	Cleated belt	Return conveyor	Standard		Return conveyor	20.3 m	2850173
MCO 90 EVO2	K120	1 - 9999	Open	Standard	Smooth	Transfer conveyor	Standard		Transfer belt	4.8 m	2252542
			Endless	Standard	Smooth	Transfer conveyor	Standard		Transfer belt	3.8 m	F20014794
			ZIP CLIP	Standard	Smooth	Fine grain conveyor	Standard		Fine grain conveyor	14.9 m	2978505
			ZIP CLIP	Standard	Smooth	Crusher discharge conveyor	Complete		Crusher discharge conveyor	19 m	2978509
			ZIP CLIP	Standard	Smooth	Crusher discharge conveyor	Folding		Crusher discharge conveyor	21.7 m	2978539
			Open	Standard	Cleated belt	Return conveyor	Standard		Return conveyor	19.8 m	2945886



CONVEYOR BELTS											
Series code	Serial code	Series range	Version	Variant	Conveyor belt type	Belt conveyor	Belt conveyor type	Belt conveyor side	Conveyor type	Conveyor length	Part no.
MCO 90 EVO2	K120	1 - 9999	ZIP CLIP	Standard	Cleated belt	Return conveyor	Standard		Return conveyor	18.85 m	2849127
			Endless	Standard	Smooth	Fine grain conveyor	Standard		Fine grain conveyor	14.9 m	2874731
			Open	Standard	Smooth	Fine grain conveyor	Standard		Fine grain conveyor	16.4 m	2874736
			Endless	Standard	Smooth	Feeding conveyor	Standard		Feeding conveyor	12.6 m	2762177
			Open	Standard	Smooth	Feeding conveyor	Standard		Feeding conveyor	14.1 m	2762220
			Open	Standard	Smooth	Crusher discharge conveyor	Complete		Crusher discharge conveyor	20 m	2789802
			Endless	Standard	Smooth	Crusher discharge conveyor	Complete		Crusher discharge conveyor	19 m	2821995
			Endless	Standard	Smooth	Crusher discharge conveyor	Folding		Crusher discharge conveyor	21.7 m	2844215
			ZIP CLIP	Standard	Smooth	Transfer conveyor	Standard		Transfer belt	3.8 m	2849098
			ZIP CLIP	Standard	Smooth	Pre-screen conveyor	Long		Over-size grain conveyor	12.9 m	2849100

## CONVEYOR UNIT

CONVEYOR BELTS											
Series code	Serial code	Series range	Version	Variant	Conveyor belt type	Belt conveyor	Belt conveyor type	Belt conveyor side	Conveyor type	Conveyor length	Part no.
MCO 90 EVO2	K120	1 - 9999	Open	Standard	Smooth	Crusher discharge conveyor	Folding		Crusher discharge conveyor	22.7 m	2850674
			Endless	Standard	Smooth	Pre-screen conveyor	Long		Main discharge conveyor, coarse grain	12.9 m	F20009762
			Open	Standard	Smooth	Pre-screen conveyor	Long		Over-size grain conveyor	13.9 m	2252545
MCO 90i EVO2	K121	1 - 9999	Open	Standard	Smooth	Transfer conveyor	Standard		Transfer belt	4.8 m	2252542
			Endless	Standard	Smooth	Transfer conveyor	Standard		Transfer belt	3.8 m	F20014794
			ZIP CLIP	Standard	Smooth	Fine grain conveyor	Standard		Fine grain conveyor	14.9 m	2978505
			ZIP CLIP	Standard	Smooth	Crusher discharge conveyor	Complete		Crusher discharge conveyor	19 m	2978509
			ZIP CLIP	Standard	Smooth	Crusher discharge conveyor	Folding		Crusher discharge conveyor	21.7 m	2978539
			Open	Standard	Cleated belt	Return conveyor	Standard		Return conveyor	19.8 m	2945886
			Endless	Standard	Smooth	Fine grain conveyor	Standard		Fine grain conveyor	14.9 m	2874731





CONVEYOR BELTS											
Series code	Serial code	Series range	Version	Variant	Conveyor belt type	Belt conveyor	Belt conveyor type	Belt conveyor side	Conveyor type	Conveyor length	Part no.
MCO 90i EVO2	K121	1 - 9999	Open	Standard	Smooth	Fine grain conveyor	Standard		Fine grain conveyor	16.4 m	2874736
			ZIP CLIP	Standard	Cleated belt	Return conveyor	Standard		Return conveyor	18.85 m	2849127
			Endless	Standard	Smooth	Feeding conveyor	Standard		Feeding conveyor	12.6 m	2762177
			Open	Standard	Smooth	Feeding conveyor	Standard		Feeding conveyor	14.1 m	2762220
			Open	Standard	Smooth	Crusher discharge conveyor	Complete		Crusher discharge conveyor	20 m	2789802
			Endless	Standard	Smooth	Crusher discharge conveyor	Complete		Crusher discharge conveyor	19 m	2821995
			Endless	Standard	Smooth	Crusher discharge conveyor	Folding		Crusher discharge conveyor	21.7 m	2844215
			ZIP CLIP	Standard	Smooth	Transfer conveyor	Standard		Transfer belt	3.8 m	2849098
			ZIP CLIP	Standard	Smooth	Pre-screen conveyor	Long		Over-size grain conveyor	12.9 m	2849100
			Open	Standard	Smooth	Crusher discharge conveyor	Folding		Crusher discharge conveyor	22.7 m	2850674

## CONVEYOR UNIT

CONVEYOR BELTS											
Series code	Serial code	Series range	Version	Variant	Conveyor belt type	Belt conveyor	Belt conveyor type	Belt conveyor side	Conveyor type	Conveyor length	Part no.
MCO 90i EVO2	K121	1 - 9999	Endless	Standard	Smooth	Pre-screen conveyor	Long		Main discharge conveyor, coarse grain	12.9 m	F20009762
			Open	Standard	Smooth	Pre-screen conveyor	Long		Over-size grain conveyor	13.9 m	2252545
MCO 110 PRO	K110	1 - 5	Open	Standard	Smooth	Crusher discharge conveyor	Complete		Crusher discharge conveyor	20.9 m	2410877
			ZIP CLIP	Standard	Smooth	Crusher discharge conveyor	Folding		Crusher discharge conveyor	22.4 m	2853280
			ZIP CLIP	Standard	Smooth	Crusher discharge conveyor	Complete		Crusher discharge conveyor	19.4 m	2850229
			Endless	Standard	Smooth	Crusher discharge conveyor	Complete		Crusher discharge conveyor	19.4 m	2343610
			Open	Standard	Smooth	Crusher discharge conveyor	Folding		Crusher discharge conveyor	23.9 m	2410888
		1 - 9999	Open	Standard	Smooth	Over-size grain conveyor	Standard		Over-size grain conveyor	17.95 m	2445564



CONVEYOR BELTS											
Series code	Serial code	Series range	Version	Variant	Conveyor belt type	Belt conveyor	Belt conveyor type	Belt conveyor side	Conveyor type	Conveyor length	Part no.
MCO 110 PRO	K110	1 - 9999	Endless	Standard	Smooth	Over-size grain conveyor	Standard		Over-size grain conveyor	16.95 m	2445498
			ZIP CLIP	Standard	Smooth	Over-size grain conveyor	Standard		Over-size grain conveyor	16.95 m	2906267
			Open	Standard	Smooth	Feeding conveyor	Standard		Feeding conveyor	17.4 m	2568886
			Endless	Standard	Smooth	Feeding conveyor	Standard		Feeding conveyor	15.9 m	2435251
			Endless	Standard	Smooth	Crusher discharge conveyor	Folding		Crusher discharge conveyor	22.4 m	2343611
		6 - 9999	ZIP CLIP	Standard	Smooth	Crusher discharge conveyor	Folding		Crusher discharge conveyor	22.4 m	2853280
			ZIP CLIP	Standard	Smooth	Crusher discharge conveyor	Complete		Crusher discharge conveyor	20.9 m	2863288
			Open	Standard	Smooth	Crusher discharge conveyor	Complete		Crusher discharge conveyor	20.9 m	2410877
			Open	Standard	Smooth	Crusher discharge conveyor	Folding		Crusher discharge conveyor	23.9 m	2410888

## CONVEYOR UNIT

CONVEYOR BELTS											
Series code	Serial code	Series range	Version	Variant	Conveyor belt type	Belt conveyor	Belt conveyor type	Belt conveyor side	Conveyor type	Conveyor length	Part no.
MCO 110 PRO	K110	6 - 9999	Endless	Standard	Smooth	Crusher discharge conveyor	Complete		Crusher discharge conveyor	19.3 m	2503871
MCO 110i PRO	K111	1 - 2	Endless	Standard	Smooth	Crusher discharge conveyor	Complete		Crusher discharge conveyor	19.4 m	2343610
			Open	Standard	Smooth	Crusher discharge conveyor	Complete		Crusher discharge conveyor	20.9 m	2410877
			ZIP CLIP	Standard	Smooth	Crusher discharge conveyor	Complete		Crusher discharge conveyor	19.4 m	2850229
			Open	Standard	Smooth	Crusher discharge conveyor	Folding		Crusher discharge conveyor	23.9 m	2410888
		1 - 9999	Open	Standard	Smooth	Over-size grain conveyor	Standard		Over-size grain conveyor	17.95 m	2445564
			Endless	Standard	Smooth	Over-size grain conveyor	Standard		Over-size grain conveyor	16.95 m	2445498
			Endless	Standard	Smooth	Feeding conveyor	Standard		Feeding conveyor	15.9 m	2435251
			ZIP CLIP	Standard	Smooth	Over-size grain conveyor	Standard		Over-size grain conveyor	16.95 m	2906267



CONVEYOR BELTS											
Series code	Serial code	Series range	Version	Variant	Conveyor belt type	Belt conveyor	Belt conveyor type	Belt conveyor side	Conveyor type	Conveyor length	Part no.
MCO 110i PRO	K111	1 - 9999	Open	Standard	Smooth	Feeding conveyor	Standard		Feeding conveyor	17.4 m	2568886
			Endless	Standard	Smooth	Crusher discharge conveyor	Folding		Crusher discharge conveyor	22.4 m	2343611
		3 - 9999	Open	Standard	Smooth	Crusher discharge conveyor	Complete		Crusher discharge conveyor	20.9 m	2410877
			ZIP CLIP	Standard	Smooth	Crusher discharge conveyor	Folding		Crusher discharge conveyor	22.4 m	2853280
			ZIP CLIP	Standard	Smooth	Crusher discharge conveyor	Complete		Crusher discharge conveyor	20.9 m	2863288
			Open	Standard	Smooth	Crusher discharge conveyor	Folding		Crusher discharge conveyor	23.9 m	2410888
			Endless	Standard	Smooth	Crusher discharge conveyor	Complete		Crusher discharge conveyor	19.3 m	2503871
MR 100 R	K012	33 - 9999	Endless	Standard	Smooth	Transfer conveyor	Standard		Transfer belt	4.36 m	2221210
			Open	Standard	Smooth	Fine grain conveyor	Standard		Fine grain conveyor	13.1 m	2252898

## CONVEYOR UNIT

CONVEYOR BELTS											
Series code	Serial code	Series range	Version	Variant	Conveyor belt type	Belt conveyor	Belt conveyor type	Belt conveyor side	Conveyor type	Conveyor length	Part no.
MR 100 R	K012	33 - 9999	Open	Standard	Cleated belt	Electromagnetic separator	Standard		Electromagnetic separator	5.11 m	M10019955
			Endless	Standard	Cleated belt	Electromagnetic separator	Standard		Electromagnetic separator	5.11 m	M10023314
			Endless	Standard	Cleated belt	Permanent magnetic separator	Standard		Permanent magnetic separator	4.715 m	M10019176
			ZIP CLIP	Standard	Cleated belt	Permanent magnetic separator	Standard		Permanent magnetic separator	4.715 m	2915584
			ZIP CLIP	Standard	Smooth	Fine grain conveyor	Standard		Fine grain conveyor	11.6 m	2902880
			Open	Standard	Cleated belt	Permanent magnetic separator	Standard		Permanent magnetic separator	4.715 m	2212014
			Endless	Standard	Smooth	Fine grain conveyor	Standard		Fine grain conveyor	11.6 m	F20017395
			ZIP CLIP	Standard	Cleated belt	Electromagnetic separator	Standard		Electromagnetic separator	5.11 m	2915582



CONVEYOR BELTS											
Series code	Serial code	Series range	Version	Variant	Conveyor belt type	Belt conveyor	Belt conveyor type	Belt conveyor side	Conveyor type	Conveyor length	Part no.
MR 100 Z	K013	1 - 9999	Endless	Standard	Smooth	Transfer conveyor	Standard		Transfer belt	4.36 m	2221210
			Open	Standard	Smooth	Fine grain conveyor	Standard		Fine grain conveyor	13.1 m	2252898
			Open	Standard	Cleated belt	Electromagnetic separator	Standard		Electromagnetic separator	5.11 m	M10019955
			Endless	Standard	Cleated belt	Electromagnetic separator	Standard		Electromagnetic separator	5.11 m	M10023314
			Endless	Standard	Cleated belt	Permanent magnetic separator	Standard		Permanent magnetic separator	4.715 m	M10019176
			ZIP CLIP	Standard	Cleated belt	Permanent magnetic separator	Standard		Permanent magnetic separator	4.715 m	2915584
			ZIP CLIP	Standard	Smooth	Fine grain conveyor	Standard		Fine grain conveyor	11.6 m	2902880
			Open	Standard	Cleated belt	Permanent magnetic separator	Standard		Permanent magnetic separator	4.715 m	2212014
			Endless	Standard	Smooth	Fine grain conveyor	Standard		Fine grain conveyor	11.6 m	F20017395

## CONVEYOR UNIT

CONVEYOR BELTS											
Series code	Serial code	Series range	Version	Variant	Conveyor belt type	Belt conveyor	Belt conveyor type	Belt conveyor side	Conveyor type	Conveyor length	Part no.
MR 100 Z	K013	1 - 9999	ZIP CLIP	Standard	Cleated belt	Electromagnetic separator	Standard		Electromagnetic separator	5.11 m	2915582
MR 110 R EVO	K016	1 - 9999	Open	Standard	Cleated belt	Electromagnetic separator	Standard		Electromagnetic separator	5.71 m	M20000485
			Endless	Standard	Cleated belt	Electromagnetic separator	Standard		Electromagnetic separator	5.71 m	2540777
			Open	Standard	Smooth	Fine grain conveyor	Standard		Fine grain conveyor	16.1 m	2252213
			Open	Standard	Cleated belt	Return conveyor	Standard		Return conveyor	18.8 m	2252529
			Open	Standard	Smooth	Transfer conveyor	Standard		Transfer belt	4.8 m	2252542
			Open	Standard	Smooth	Pre-screen conveyor	Long		Pre-screen conveyor	13.9 m	2252545
			Open	Standard	Smooth	Pre-screen conveyor	Short		Pre-screen conveyor	9.9 m	2252553
			Open	Standard	Cleated belt	Permanent magnetic separator	Standard		Permanent magnetic separator	4.715 m	2212014





CONVEYOR BELTS											
Series code	Serial code	Series range	Version	Variant	Conveyor belt type	Belt conveyor	Belt conveyor type	Belt conveyor side	Conveyor type	Conveyor length	Part no.
MR 110 R EVO	K016	1 - 9999	ZIP CLIP	Standard	Cleated belt	Permanent magnetic separator	Standard		Permanent magnetic separator	4.715 m	2915584
			ZIP CLIP	Standard	Cleated belt	Electromagnetic separator	Standard		Electromagnetic separator	5.71 m	2915592
			ZIP CLIP	Standard	Smooth	Fine grain conveyor	Standard		Fine grain conveyor	14.6 m	2902882
			ZIP CLIP	Standard	Smooth	Crusher discharge conveyor	Complete		Crusher discharge conveyor	19.7 m	2849066
			ZIP CLIP	Standard	Smooth	Transfer conveyor	Standard		Transfer belt	3.8 m	2849098
			ZIP CLIP	Standard	Smooth	Pre-screen conveyor	Long		Pre-screen conveyor	12.9 m	2849100
			ZIP CLIP	Standard	Cleated belt	Return conveyor	Standard		Return conveyor	17.8 m	2849102
			Endless	Standard	Smooth	Pre-screen conveyor	Long		Side discharge conveyor	12.9 m	F20009762
			Endless	Standard	Smooth	Pre-screen conveyor	Short		Side discharge conveyor	8.9 m	F20011025



# CONVEYOR UNIT

CONVEYOR BELTS											
Series code	Serial code	Series range	Version	Variant	Conveyor belt type	Belt conveyor	Belt conveyor type	Belt conveyor side	Conveyor type	Conveyor length	Part no.
MR 110 R EVO	K016	1 - 9999	Endless	Standard	Smooth	Crusher discharge conveyor	Complete		Crusher discharge conveyor	19.7 m	F20012192
			Endless	Standard	Smooth	Fine grain conveyor	Standard		Fine grain conveyor (secondary screening unit)	14.6 m	F20012551
			Endless	Standard	Smooth	Transfer conveyor	Standard		Transfer conveyor	3.8 m	F20014794
			Endless	Standard	Cleated belt	Permanent magnet separator	Standard		Permanent magnetic separator	4.715 m	M10019176
			Endless	Standard	Cleated belt	Return conveyor	Standard		Return conveyor	17.8 m	2223573
		3 - 9999	ZIP CLIP	Standard	Smooth	Pre-screen conveyor	Short		Pre-screen conveyor	8.9 m	2902871
MR 110 Z EVO	K017	3 - 9999	Endless	Standard	Smooth	Pre-screen conveyor	Long		Side discharge conveyor	12.9 m	F20009762
			Endless	Standard	Smooth	Pre-screen conveyor	Short		Side discharge conveyor	8.9 m	F20011025



CONVEYOR BELTS													
Series code	Serial code	Series range	Version	Vari-ant	Con-veyor belt type	Belt con-veyor	Belt con-veyor type	Belt con-veyor side	Con-veyor type	Con-veyor length	Part no.		
MR 110 Z EVO	K017	3 - 9999	End-less	Stand-ard	Smoot-h	Crush-er dis-charge con-veyor	Com-plete			Crush-er dis-charge con-veyor	19.7 m	F20012192	
			End-less	Stand-ard	Smoot-h	Fine grain con-veyor	Stand-ard			Fine grain con-veyor (sec-ondary screen-ing unit)	14.6 m	F20012551	
			End-less	Stand-ard	Smoot-h	Trans-fer con-veyor	Stand-ard				Trans-fer con-veyor	3.8 m	F20014794
			End-less	Stand-ard	Cleat-ed belt	Per-man-ent mag-net separ-ator	Stand-ard				Per-man-ent mag-netic separ-ator	4.715 m	M10019176
			End-less	Stand-ard	Cleat-ed belt	Return con-veyor	Stand-ard				Return con-veyor	17.8 m	2223573
			End-less	Stand-ard	Cleat-ed belt	Elec-tro-mag-netic separ-ator	Stand-ard				Elec-tro-mag-netic separ-ator	5.71 m	2540777
			ZIP CLIP	Stand-ard	Smoot-h	Crush-er dis-charge con-veyor	Com-plete				Crush-er dis-charge con-veyor	19.7 m	2849066
			ZIP CLIP	Stand-ard	Smoot-h	Trans-fer con-veyor	Stand-ard				Trans-fer belt	3.8 m	2849098
			ZIP CLIP	Stand-ard	Smoot-h	Pre-screen con-veyor	Long				Pre-screen con-veyor	12.9 m	2849100

# CONVEYOR UNIT

CONVEYOR BELTS											
Series code	Serial code	Series range	Version	Variant	Conveyor belt type	Belt conveyor	Belt conveyor type	Belt conveyor side	Conveyor type	Conveyor length	Part no.
MR 110 Z EVO	K017	3 - 9999	ZIP CLIP	Standard	Cleated belt	Return conveyor	Standard		Return conveyor	17.8 m	2849102
			ZIP CLIP	Standard	Smooth	Pre-screen conveyor	Short		Pre-screen conveyor	8.9 m	2902871
			ZIP CLIP	Standard	Smooth	Fine grain conveyor	Standard		Fine grain conveyor	14.6 m	2902882
			ZIP CLIP	Standard	Cleated belt	Permanent magnetic separator	Standard		Permanent magnetic separator	4.715 m	2915584
			ZIP CLIP	Standard	Cleated belt	Electromagnetic separator	Standard		Electromagnetic separator	5.71 m	2915592
			Open	Standard	Cleated belt	Electromagnetic separator	Standard		Electromagnetic separator	5.71 m	M20000485
			Open	Standard	Cleated belt	Permanent magnetic separator	Standard		Permanent magnetic separator	4.715 m	2212014
			Open	Standard	Smooth	Fine grain conveyor	Standard		Fine grain conveyor	16.1 m	2252213
			Open	Standard	Cleated belt	Return conveyor	Standard		Transfer belt	18.8 m	2252529
			Open	Standard	Smooth	Transfer conveyor	Standard		Transfer belt	4.8 m	2252542



CONVEYOR BELTS											
Series code	Serial code	Series range	Version	Variant	Conveyor belt type	Belt conveyor	Belt conveyor type	Belt conveyor side	Conveyor type	Conveyor length	Part no.
MR 110 Z EVO	K017	3 - 9999	Open	Standard	Smooth	Pre-screen conveyor	Long		Pre-screen conveyor	13.9 m	2252545
			Open	Standard	Smooth	Pre-screen conveyor	Short		Pre-screen conveyor	9.9 m	2252553
MR 110 EVO2	K018	1 - 9999	Open	Heavy duty	Smooth	Crusher discharge conveyor	Complete		Crusher discharge conveyor	21.1 m	2358905
			Open	Heavy duty	Cleated belt	Permanent magnetic separator	Standard		Permanent magnetic separator	5.315 m	2210673
			ZIP CLIP	Standard	Cleated belt	Electromagnetic separator	Standard		Electromagnetic separator	5.11 m	2910184
			Endless	Standard	Smooth	Pre-screen conveyor	Folding	Left/right	Pre-screen conveyor	12.4 m	2596212
			Open	Standard	Smooth	Transfer conveyor	Standard		Transfer belt	4.8 m	2252542
			Open	Standard	Smooth	Pre-screen conveyor	Long		Pre-screen conveyor	13.9 m	2252545
			Open	Standard	Smooth	Pre-screen conveyor	Short		Pre-screen conveyor	9.9 m	2252553
			Open	Standard	Cleated belt	Permanent magnetic separator	Standard		Permanent magnetic separator	5.315 m	M10015357

# CONVEYOR UNIT

CONVEYOR BELTS											
Series code	Serial code	Series range	Version	Variant	Conveyor belt type	Belt conveyor	Belt conveyor type	Belt conveyor side	Conveyor type	Conveyor length	Part no.
MR 110 EVO2	K018	1 - 9999	ZIP CLIP	Heavy duty	Cleated belt	Permanent magnetic separator	Standard		Permanent magnetic separator	5.315 m	2915601
			ZIP CLIP	Standard	Cleated belt	Permanent magnetic separator	Standard		Permanent magnetic separator	5.315 m	2946342
			Open	Heavy duty	Cleated belt	Electromagnetic separator	Standard		Electromagnetic separator	5.11 m	2361793
			Open	Standard	Cleated belt	Return conveyor	Standard		Return conveyor	19.9 m	2377900
			Endless	Standard	Smooth	Crusher discharge conveyor	Folding		Crusher discharge conveyor	22.9 m	2383550
			ZIP CLIP	Standard	Smooth	Crusher discharge conveyor	Folding		Crusher discharge conveyor	22.9 m	2902932
			ZIP CLIP	Standard	Smooth	Fine grain conveyor	Standard		Fine grain conveyor	14.5 m	2902935
			ZIP CLIP	Heavy duty	Cleated belt	Electromagnetic separator	Standard		Electromagnetic separator	5.11 m	2915598
			ZIP CLIP	Standard	Smooth	Pre-screen conveyor	Folding	Left/right	Pre-screen conveyor	12.4 m	2863250



CONVEYOR BELTS											
Series code	Serial code	Series range	Version	Variant	Conveyor belt type	Belt conveyor	Belt conveyor type	Belt conveyor side	Conveyor type	Conveyor length	Part no.
MR 110 EVO2	K018	1 - 9999	Endless	Standard	Cleated belt	Electromagnetic separator	Standard		Electromagnetic separator	5.11 m	2540481
			ZIP CLIP	Standard	Smooth	Transfer conveyor	Standard		Transfer belt	3.8 m	2849098
			ZIP CLIP	Standard	Smooth	Pre-screen conveyor	Long		Pre-screen conveyor	12.9 m	2849100
			ZIP CLIP	Standard	Smooth	Crusher discharge conveyor	Complete		Crusher discharge conveyor	19.6 m	2849104
			ZIP CLIP	Standard	Cleated belt	Return conveyor	Standard		Return conveyor	18.85 m	2849127
			ZIP CLIP	Standard	Smooth	Pre-screen conveyor	Short		Pre-screen conveyor	8.9 m	2902871
			Endless	Standard	Smooth	Pre-screen conveyor	Long		Side discharge conveyor	12.9 m	F20009762
			Endless	Standard	Smooth	Pre-screen conveyor	Short		Side discharge conveyor	8.9 m	F20011025
			Endless	Standard	Smooth	Transfer conveyor	Standard		Transfer conveyor	3.8 m	F20014794

# CONVEYOR UNIT

CONVEYOR BELTS											
Series code	Serial code	Series range	Version	Variant	Conveyor belt type	Belt conveyor	Belt conveyor type	Belt conveyor side	Conveyor type	Conveyor length	Part no.
MR 110 EVO2	K018	1 - 9999	Endless	Standard	Smooth	Fine grain conveyor	Standard		Fine grain conveyor (secondary screening unit)	14.5 m	2322377
			Endless	Standard	Cleated belt	Return conveyor	Standard		Return conveyor	18.85 m	2336219
			Endless	Standard	Smooth	Crusher discharge conveyor	Complete		Crusher discharge conveyor	19.6 m	2358281
			Endless	Standard	Cleated belt	Permanent magnetic separator	Standard		Permanent magnetic separator	5.315 m	2701888
			Open	Standard	Smooth	Fine grain conveyor	Standard		Fine grain conveyor	15.5 m	2322379
MR 110 i EVO2	K019	1 - 9999	Open	Heavy duty	Smooth	Crusher discharge conveyor	Complete		Crusher discharge conveyor	21.1 m	2358905
			Endless	Standard	Cleated belt	Permanent magnetic separator	Standard		Permanent magnetic separator	5.315 m	2701888
			ZIP CLIP	Standard	Cleated belt	Electromagnetic separator	Standard		Electromagnetic separator	5.11 m	2910184





CONVEYOR BELTS											
Series code	Serial code	Series range	Version	Variant	Conveyor belt type	Belt conveyor	Belt conveyor type	Belt conveyor side	Conveyor type	Conveyor length	Part no.
MR 110 i EVO2	K019	1 - 9999	Endless	Standard	Smooth	Pre-screen conveyor	Folding	Left/right	Pre-screen conveyor	12.4 m	2596212
			Open	Standard	Smooth	Transfer conveyor	Standard		Transfer belt	4.8 m	2252542
			Open	Standard	Smooth	Pre-screen conveyor	Long		Pre-screen conveyor	13.9 m	2252545
			Open	Standard	Smooth	Pre-screen conveyor	Short		Pre-screen conveyor	9.9 m	2252553
			Open	Standard	Cleated belt	Permanent magnetic separator	Standard		Permanent magnetic separator	5.315 m	M10015357
			ZIP CLIP	Heavy duty	Cleated belt	Permanent magnetic separator	Standard		Permanent magnetic separator	5.315 m	2915601
			ZIP CLIP	Standard	Cleated belt	Permanent magnetic separator	Standard		Permanent magnetic separator	5.315 m	2946342
			Open	Heavy duty	Cleated belt	Electromagnetic separator	Standard		Electromagnetic separator	5.11 m	2361793
			Open	Standard	Cleated belt	Return conveyor	Standard		Return conveyor	19.9 m	2377900

# CONVEYOR UNIT

CONVEYOR BELTS											
Series code	Serial code	Series range	Version	Variant	Conveyor belt type	Belt conveyor	Belt conveyor type	Belt conveyor side	Conveyor type	Conveyor length	Part no.
MR 110 i EVO2	K019	1 - 9999	Endless	Standard	Smooth	Crusher discharge conveyor	Folding		Crusher discharge conveyor	22.9 m	2383550
			ZIP CLIP	Standard	Smooth	Crusher discharge conveyor	Folding		Crusher discharge conveyor	22.9 m	2902932
			ZIP CLIP	Standard	Smooth	Fine grain conveyor	Standard		Fine grain conveyor	14.5 m	2902935
			ZIP CLIP	Heavy duty	Cleated belt	Electromagnetic separator	Standard		Electromagnetic separator	5.11 m	2915598
			ZIP CLIP	Standard	Smooth	Pre-screen conveyor	Folding	Left/right	Pre-screen conveyor	12.4 m	2863250
			Endless	Standard	Cleated belt	Electromagnetic separator	Standard		Electromagnetic separator	5.11 m	2540481
			ZIP CLIP	Standard	Smooth	Transfer conveyor	Standard		Transfer belt	3.8 m	2849098
			ZIP CLIP	Standard	Smooth	Pre-screen conveyor	Long		Pre-screen conveyor	12.9 m	2849100
			ZIP CLIP	Standard	Smooth	Crusher discharge conveyor	Complete		Crusher discharge conveyor	19.6 m	2849104
			ZIP CLIP	Standard	Cleated belt	Return conveyor	Standard		Return conveyor	18.85 m	2849127



CONVEYOR BELTS											
Series code	Serial code	Series range	Version	Variant	Conveyor belt type	Belt conveyor	Belt conveyor type	Belt conveyor side	Conveyor type	Conveyor length	Part no.
MR 110 i EVO2	K019	1 - 9999	ZIP CLIP	Standard	Smooth	Pre-screen conveyor	Short		Pre-screen conveyor	8.9 m	2902871
			Endless	Standard	Smooth	Pre-screen conveyor	Long		Side discharge conveyor	12.9 m	F20009762
			Endless	Standard	Smooth	Pre-screen conveyor	Short		Side discharge conveyor	8.9 m	F20011025
			Endless	Standard	Smooth	Transfer conveyor	Standard		Transfer conveyor	3.8 m	F20014794
			Endless	Standard	Smooth	Fine grain conveyor	Standard		Fine grain conveyor (secondary screening unit)	14.5 m	2322377
			Endless	Standard	Cleated belt	Return conveyor	Standard		Return conveyor	18.85 m	2336219
			Endless	Standard	Smooth	Crusher discharge conveyor	Complete		Crusher discharge conveyor	19.6 m	2358281
			Open	Heavy duty	Cleated belt	Permanent magnet separator	Standard		Permanent magnetic separator	5.315 m	2210673
			Open	Standard	Smooth	Fine grain conveyor	Standard		Fine grain conveyor	15.5 m	2322379

## CONVEYOR UNIT

CONVEYOR BELTS												
Series code	Serial code	Series range	Version	Variant	Conveyor belt type	Belt conveyor	Belt conveyor type	Belt conveyor side	Conveyor type	Conveyor length	Part no.	
MR 122i PRO	K031	1 - 9999	Open	Standard	Smooth	Crusher discharge conveyor	Complete			Crusher discharge conveyor	22.5 m	2252938
			Open	Standard	Smooth	Crusher discharge conveyor	Folding			Crusher discharge conveyor	22.5 m	2252939
			ZIP CLIP	Standard	Smooth	Crusher discharge conveyor	Folding			Crusher discharge conveyor	24 m	2906256
			Open	Standard	Cleated belt	Electromagnetic separator	Standard			Electromagnetic separator	5.91 m	2616303
			Open	Heavy duty	Cleated belt	Electromagnetic separator	Standard			Electromagnetic separator	5.91 m	2616308
			Endless	Standard	Cleated belt	Permanent magnet separator	Standard			Permanent magnet separator		2452708
			Endless	Standard	Smooth	Crusher discharge conveyor	Folding			Crusher discharge conveyor	24 m	F20018504
			Open	Standard	Smooth	Pre-screen conveyor	Long			Pre-screen conveyor	14 m	2252942



CONVEYOR BELTS											
Series code	Serial code	Series range	Version	Variant	Conveyor belt type	Belt conveyor	Belt conveyor type	Belt conveyor side	Conveyor type	Conveyor length	Part no.
MR 122i PRO	K031	1 - 9999	ZIP CLIP	Standard	Smooth	Crusher discharge conveyor	Complete		Crusher discharge conveyor	21 m	2850180
			ZIP CLIP	Standard	Cleated belt	Electromagnetic separator	Standard		Electromagnetic separator	5.91 m	2915595
			Endless	Standard	Cleated belt	Electromagnetic separator	Standard		Electromagnetic separator	5.91 m	2203936
			ZIP CLIP	Standard	Smooth	Pre-screen conveyor	Long		Pre-screen conveyor	12.96 m	2902873
			Endless	Standard	Smooth	Pre-screen conveyor	Long		Side discharge conveyor	13 m	F20015453
			Open	Standard	Cleated belt	Permanent magnetic separator	Standard		Permanent magnetic separator	5.28 m	2452717
MR 122 PRO	K062	66 - 202	Open	Standard	Smooth	Pre-screen conveyor	Long		Pre-screen conveyor	14 m	2252942
			Endless	Standard	Smooth	Pre-screen conveyor	Long		Side discharge conveyor	13 m	F20015453
			ZIP CLIP	Standard	Smooth	Pre-screen conveyor	Long		Pre-screen conveyor	12.96 m	2902873

# CONVEYOR UNIT

CONVEYOR BELTS											
Series code	Serial code	Series range	Version	Variant	Conveyor belt type	Belt conveyor	Belt conveyor type	Belt conveyor side	Conveyor type	Conveyor length	Part no.
MR 122 PRO	K062	66 - 9999	Open	Standard	Cleated belt	Electromagnetic separator	Standard		Electromagnetic separator	5.91 m	2616303
			Open	Heavy duty	Cleated belt	Electromagnetic separator	Standard		Electromagnetic separator	5.91 m	2616308
			Endless	Standard	Cleated belt	Permanent magnetic separator	Standard		Permanent magnetic separator		2452708
			Open	Standard	Cleated belt	Permanent magnetic separator	Standard		Permanent magnetic separator	5.28 m	2452717
			ZIP CLIP	Standard	Smooth	Crusher discharge conveyor	Complete		Crusher discharge conveyor	21 m	2850180
			ZIP CLIP	Standard	Cleated belt	Electromagnetic separator	Standard		Electromagnetic separator	5.91 m	2915595
			ZIP CLIP	Standard	Smooth	Crusher discharge conveyor	Folding		Crusher discharge conveyor	24 m	2906256
			Endless	Standard	Cleated belt	Electromagnetic separator	Standard		Electromagnetic separator	5.91 m	2203936



CONVEYOR BELTS												
Series code	Serial code	Series range	Version	Variant	Conveyor belt type	Belt conveyor	Belt conveyor type	Belt conveyor side	Conveyor type	Conveyor length	Part no.	
MR 122 PRO	K062	66 - 9999	Open	Standard	Smooth	Crusher discharge conveyor	Complete		Crusher discharge conveyor	22.5 m	2252938	
			Open	Standard	Smooth	Crusher discharge conveyor	Folding		Crusher discharge conveyor	22.5 m	2252939	
			Endless	Standard	Smooth	Crusher discharge conveyor	Folding		Crusher discharge conveyor	24 m	F20018504	
			Endless	Standard	Smooth	Crusher discharge conveyor	Complete		Crusher discharge conveyor	21 m	F20014924	
		203 - 9999	Endless	Standard	Smooth	Pre-screen conveyor	Long		Side discharge conveyor	12.9 m	F20009762	
			Open	Standard	Smooth	Pre-screen conveyor	Long		Pre-screen conveyor	13.9 m	2252545	
			ZIP CLIP	Standard	Smooth	Pre-screen conveyor	Long		Pre-screen conveyor	12.9 m	2849100	
MR 130 R EVO	K023	200 - 9999	Open	Standard	Cleated belt	Return conveyor	Standard		Return conveyor	19.8 m	2252582	
			Endless	Standard	Cleated belt	Permanent magnetic separator	Standard		Permanent magnetic separator	5.315 m	2701888	



## CONVEYOR UNIT

CONVEYOR BELTS											
Series code	Serial code	Series range	Version	Variant	Conveyor belt type	Belt conveyor	Belt conveyor type	Belt conveyor side	Conveyor type	Conveyor length	Part no.
MR 130 R EVO	K023	200 - 9999	Open	Standard	Smooth	Fine grain conveyor	Folding		Fine grain conveyor	18.8 m	2252602
			Open	Standard	Cleated belt	Permanent magnetic separator	Standard		Permanent magnetic separator	4.715 m	2212014
			Open	Standard	Smooth	Pre-screen conveyor	Long		Pre-screen conveyor	13.9 m	2252545
			Open	Standard	Smooth	Pre-screen conveyor	Short		Pre-screen conveyor	9.9 m	2252553
			Open	Standard	Smooth	Crusher discharge conveyor	Complete		Crusher discharge conveyor	22 m	2252560
			Open	Standard	Smooth	Crusher discharge conveyor	Folding		Crusher discharge conveyor	24.6 m	2252562
			Open	Standard	Smooth	Fine grain conveyor	Standard		Fine grain conveyor	16.8 m	2252576
			Open	Standard	Cleated belt	Electromagnetic separator	Standard		Electromagnetic separator	5.71 m	M20000485
			ZIP CLIP	Standard	Cleated belt	Return conveyor	Standard		Return conveyor	18.8 m	2850162
			ZIP CLIP	Standard	Smooth	Crusher discharge conveyor	Folding		Crusher discharge conveyor	23.1 m	2902949





CONVEYOR BELTS													
Series code	Serial code	Series range	Version	Variant	Conveyor belt type	Belt conveyor	Belt conveyor type	Belt conveyor side	Conveyor type	Conveyor length	Part no.		
MR 130 R EVO	K023	200 - 9999	ZIP CLIP	Standard	Smooth	Fine grain conveyor	Standard			Fine grain conveyor	15.3 m	2906254	
			ZIP CLIP	Standard	Smooth	Crusher discharge conveyor	Complete			Crusher discharge conveyor	20.5 m	2849129	
			ZIP CLIP	Standard	Smooth	Transfer conveyor	Standard				Transfer belt	4.2 m	2849132
			ZIP CLIP	Standard	Cleated belt	Permanent magnetic separator	Standard				Permanent magnetic separator	4.715 m	2915584
			ZIP CLIP	Standard	Cleated belt	Electromagnetic separator	Standard				Electromagnetic separator	5.71 m	2915592
			ZIP CLIP	Standard	Smooth	Pre-screen conveyor	Long				Pre-screen conveyor	12.9 m	2849100
			ZIP CLIP	Standard	Smooth	Pre-screen conveyor	Short				Pre-screen conveyor	8.9 m	2902871
			Endless	Standard	Cleated belt	Electromagnetic separator	Standard				Electromagnetic separator	5.71 m	2540777
			Endless	Standard	Cleated belt	Permanent magnetic separator	Standard				Permanent magnetic separator	4.715 m	M10019176



## CONVEYOR UNIT

CONVEYOR BELTS											
Series code	Serial code	Series range	Version	Variant	Conveyor belt type	Belt conveyor	Belt conveyor type	Belt conveyor side	Conveyor type	Conveyor length	Part no.
MR 130 R EVO	K023	200 - 9999	Endless	Standard	Smooth	Pre-screen conveyor	Long		Side discharge conveyor	12.9 m	F20009762
			Endless	Standard	Smooth	Pre-screen conveyor	Short		Side discharge conveyor	8.9 m	F20011025
			Endless	Standard	Smooth	Crusher discharge conveyor	Complete		Crusher discharge conveyor	20.5 m	F20011462
			Endless	Standard	Smooth	Fine grain conveyor	Standard		Fine grain conveyor (secondary screening unit)	15.3 m	F20011977
			Endless	Standard	Smooth	Fine grain conveyor	Folding		Fine grain conveyor (secondary screening unit)	17.3 m	F20014597
			Endless	Standard	Smooth	Transfer conveyor	Standard		Transfer conveyor	4.2 m	F20014607
			Endless	Standard	Smooth	Crusher discharge conveyor	Folding		Crusher discharge conveyor	23.1 m	F20014740
			Endless	Standard	Cleated belt	Return conveyor	Standard		Return conveyor	18.8 m	2223564



CONVEYOR BELTS											
Series code	Serial code	Series range	Version	Variant	Conveyor belt type	Belt conveyor	Belt conveyor type	Belt conveyor side	Conveyor type	Conveyor length	Part no.
MR 130 R EVO	K023	200 - 9999	Open	Standard	Smooth	Transfer conveyor	Standard		Transfer belt	5.2 m	2252590
MR 130 Z EVO	K024	70 - 299	ZIP CLIP	Standard	Cleated belt	Permanent magnetic separator	Standard		Permanent magnetic separator	5.315 m	2946342
			Open	Heavy duty	Cleated belt	Permanent magnetic separator	Standard		Permanent magnetic separator	5.315 m	2210673
			ZIP CLIP	Standard	Cleated belt	Electromagnetic separator	Standard		Electromagnetic separator	5.71 m	2915592
			Open	Standard	Cleated belt	Permanent magnetic separator	Standard		Permanent magnetic separator	5.315 m	M10015357
			Open	Standard	Cleated belt	Electromagnetic separator	Standard		Electromagnetic separator	5.71 m	M20000485
			ZIP CLIP	Heavy duty	Cleated belt	Permanent magnetic separator	Standard		Permanent magnetic separator	5.315 m	2915601
											Return conveyor

# CONVEYOR UNIT

CONVEYOR BELTS											
Series code	Serial code	Series range	Version	Variant	Conveyor belt type	Belt conveyor	Belt conveyor type	Belt conveyor side	Conveyor type	Conveyor length	Part no.
MR 130 Z EVO	K024	70 - 300	Endless	Standard	Cleated belt	Permanent magnetic separator	Standard		Permanent magnetic separator	5.315 m	2701888
		70 - 9999	Endless	Standard	Cleated belt	Electromagnetic separator	Standard		Electromagnetic separator	5.71 m	2540777
		301 - 9999	Open	Standard	Smooth	Fine grain conveyor	Standard		Fine grain conveyor	16.8 m	2252576
			Open	Standard	Cleated belt	Return conveyor	Standard		Return conveyor	19.8 m	2252582
			Open	Standard	Smooth	Transfer conveyor	Standard		Transfer belt	5.2 m	2252590
			Open	Standard	Smooth	Fine grain conveyor	Folding		Fine grain conveyor	18.8 m	2252602
			Open	Standard	Cleated belt	Permanent magnetic separator	Standard		Permanent magnetic separator	4.715 m	2212014
			Open	Standard	Smooth	Pre-screen conveyor	Long		Pre-screen conveyor	13.9 m	2252545
			Open	Standard	Smooth	Pre-screen conveyor	Short		Pre-screen conveyor	9.9 m	2252553
			Open	Standard	Smooth	Crusher discharge conveyor	Complete		Crusher discharge conveyor	22 m	2252560



CONVEYOR BELTS												
Series code	Serial code	Series range	Version	Variant	Conveyor belt type	Belt conveyor	Belt conveyor type	Belt conveyor side	Conveyor type	Conveyor length	Part no.	
MR 130 Z EVO	K024	301 - 9999	Open	Standard	Smooth	Crusher discharge conveyor	Folding		Crusher discharge conveyor	24.6 m	2252562	
			Open	Standard	Cleated belt	Electromagnetic separator	Standard		Electromagnetic separator	5.71 m	M20000485	
			ZIP CLIP	Standard	Smooth	Crusher discharge conveyor	Folding		Crusher discharge conveyor	23.1 m	2902949	
			ZIP CLIP	Standard	Smooth	Fine grain conveyor	Standard		Fine grain conveyor	15.3 m	2906254	
			ZIP CLIP	Standard	Smooth	Crusher discharge conveyor	Complete		Crusher discharge conveyor	20.5 m	2849129	
			ZIP CLIP	Standard	Smooth	Transfer conveyor	Standard		Transfer belt	4.2 m	2849132	
			ZIP CLIP	Standard	Cleated belt	Return conveyor	Standard		Return conveyor	18.8 m	2850162	
			ZIP CLIP	Standard	Cleated belt	Permanent magnetic separator	Standard		Permanent magnetic separator	4.715 m	2915584	
			ZIP CLIP	Standard	Cleated belt	Electromagnetic separator	Standard		Electromagnetic separator	5.71 m	2915592	

# CONVEYOR UNIT

CONVEYOR BELTS											
Series code	Serial code	Series range	Version	Variant	Conveyor belt type	Belt conveyor	Belt conveyor type	Belt conveyor side	Conveyor type	Conveyor length	Part no.
MR 130 Z EVO	K024	301 - 9999	ZIP CLIP	Standard	Smooth	Pre-screen conveyor	Long		Pre-screen conveyor	12.9 m	2849100
			ZIP CLIP	Standard	Smooth	Pre-screen conveyor	Short		Pre-screen conveyor	8.9 m	2902871
			Endless	Standard	Smooth	Crusher discharge conveyor	Folding		Crusher discharge conveyor	23.1 m	F20014740
			Endless	Standard	Cleated belt	Permanent magnet separator	Standard		Permanent magnetic separator	4.715 m	M10019176
			Endless	Standard	Smooth	Pre-screen conveyor	Long		Side discharge conveyor	12.9 m	F20009762
			Endless	Standard	Smooth	Pre-screen conveyor	Short		Side discharge conveyor	8.9 m	F20011025
			Endless	Standard	Smooth	Crusher discharge conveyor	Complete		Crusher discharge conveyor	20.5 m	F20011462
			Endless	Standard	Smooth	Fine grain conveyor	Standard		Fine grain conveyor (secondary screening unit)	15.3 m	F20011977



CONVEYOR BELTS											
Series code	Serial code	Series range	Version	Variant	Conveyor belt type	Belt conveyor	Belt conveyor type	Belt conveyor side	Conveyor type	Conveyor length	Part no.
MR 130 Z EVO	K024	301 - 9999	Endless	Standard	Smooth	Fine grain conveyor	Folding		Fine grain conveyor (secondary screening unit)	17.3 m	F20014597
			Endless	Standard	Smooth	Transfer conveyor	Standard		Transfer conveyor	4.2 m	F20014607
			Endless	Standard	Cleated belt	Return conveyor	Standard		Return conveyor	18.8 m	2223564
MR 130 EVO2	K077	1 - 9999	Open	Standard	Smooth	Transfer conveyor	Standard		Transfer belt	5.2 m	2252590
			Endless	Standard	Cleated belt	Permanent magnetic separator	Standard		Permanent magnetic separator	5.315 m	2701888
			ZIP CLIP	Standard	Smooth	Fine grain conveyor	Standard		Fine grain conveyor	14.7 m	2906264
			ZIP CLIP	Standard	Cleated belt	Electromagnetic separator	Standard		Electromagnetic separator	5.11 m	2910184
			Endless	Standard	Smooth	Pre-screen conveyor	Folding	Left/right	Pre-screen conveyor	12.4 m	2596212
			Open	Standard	Smooth	Pre-screen conveyor	Long		Pre-screen conveyor	13.9 m	2252545
			Open	Standard	Smooth	Pre-screen conveyor	Short		Pre-screen conveyor	9.9 m	2252553

# CONVEYOR UNIT

CONVEYOR BELTS											
Series code	Serial code	Series range	Version	Variant	Conveyor belt type	Belt conveyor	Belt conveyor type	Belt conveyor side	Conveyor type	Conveyor length	Part no.
MR 130 EVO2	K077	1 - 9999	ZIP CLIP	Standard	Smooth - EPP HEAVY DUTY VERSION	Crusher discharge conveyor	Complete		Crusher discharge conveyor	20.4 m	3030366
			Open	Standard	Cleated belt	Permanent magnetic separator	Standard		Permanent magnetic separator	5.315 m	M10015357
			ZIP CLIP	Heavy duty	Cleated belt	Permanent magnetic separator	Standard		Permanent magnetic separator	5.315 m	2915601
			ZIP CLIP	Standard	Cleated belt	Permanent magnetic separator	Standard		Permanent magnetic separator	5.315 m	2946342
			Open	Standard	Smooth	Crusher discharge conveyor	Complete		Crusher discharge conveyor	21.9 m	2358894
			Open	Heavy duty	Cleated belt	Electromagnetic separator	Standard		Electromagnetic separator	5.11 m	2361793
			Endless	Standard	Cleated belt	Return conveyor	650 m		Return conveyor	20.3 m	2367237
			Open	Standard	Smooth	Crusher discharge conveyor	Folding		Crusher discharge conveyor	25.1 m	2377874





CONVEYOR BELTS											
Series code	Serial code	Series range	Version	Variant	Conveyor belt type	Belt conveyor	Belt conveyor type	Belt conveyor side	Conveyor type	Conveyor length	Part no.
MR 130 EVO2	K077	1 - 9999	Open	Standard	Cleated belt	Return conveyor	Standard		Return conveyor	21.7 m	2377877
			Open	Standard	Smooth	Fine grain conveyor	Standard		Fine grain conveyor	16.2 m	2377897
			Open	Heavy duty	Cleated belt	Permanent magnetic separator	Standard		Permanent magnetic separator	5.315 m	2210673
			ZIP CLIP	Standard	Smooth	Transfer conveyor	Standard		Transfer belt	4.2 m	2849132
			ZIP CLIP	Standard	Smooth	Crusher discharge conveyor	Complete		Crusher discharge conveyor	20.4 m	2850168
			ZIP CLIP	Standard	Cleated belt	Return conveyor	Standard		Return conveyor	20.3 m	2850173
			ZIP CLIP	Heavy duty	Cleated belt	Electromagnetic separator	Standard		Electromagnetic separator	5.11 m	2915598
			ZIP CLIP	Standard	Smooth	Pre-screen conveyor	Folding	Left/right	Pre-screen conveyor	12.4 m	2863250
			ZIP CLIP	Standard	Cleated belt	Return conveyor	650 m-m		Return conveyor	20.3 m	2863258
			ZIP CLIP	Standard	Smooth	Pre-screen conveyor	Long		Pre-screen conveyor	12.9 m	2849100
ZIP CLIP	Standard	Smooth	Pre-screen conveyor	Short		Pre-screen conveyor	8.9 m	2902871			

# CONVEYOR UNIT

CONVEYOR BELTS											
Series code	Serial code	Series range	Version	Variant	Conveyor belt type	Belt conveyor	Belt conveyor type	Belt conveyor side	Conveyor type	Conveyor length	Part no.
MR 130 EVO2	K077	1 - 9999	Endless	Standard	Cleated belt	Electromagnetic separator	Standard		Electromagnetic separator	5.11 m	2540481
			Endless	Standard	Smooth	Pre-screen conveyor	Long		Side discharge conveyor	12.9 m	F20009762
			Endless	Standard	Smooth	Pre-screen conveyor	Short		Side discharge conveyor	8.9 m	F20011025
			Endless	Standard	Smooth	Transfer conveyor	Standard		Transfer conveyor	4.2 m	F20014607
			Endless	Standard	Smooth	Fine grain conveyor	Standard		Fine grain conveyor (secondary screening unit)	14.7 m	2305013
			Endless	Standard	Cleated belt	Return conveyor	Standard		Return conveyor	20.3 m	2305085
			Endless	Standard	Smooth	Crusher discharge conveyor	Folding		Crusher discharge conveyor	23.6 m	2351696
			Endless	Standard	Smooth	Crusher discharge conveyor	Complete		Crusher discharge conveyor	20.4 m	2358152



CONVEYOR BELTS												
Series code	Serial code	Series range	Version	Variant	Conveyor belt type	Belt conveyor	Belt conveyor type	Belt conveyor side	Conveyor type	Conveyor length	Part no.	
MR 130 EVO2	K077	1 - 9999	ZIP CLIP	Standard	Smooth	Crusher discharge conveyor	Folding		Crusher discharge conveyor	23.6 m	2906259	
MR 130i EVO2	K078	1 - 9999	Open	Standard	Smooth	Transfer conveyor	Standard		Transfer belt	5.2 m	2252590	
			Endless	Standard	Cleated belt	Permanent magnet separator	Standard		Permanent magnetic separator	5.315 m	2701888	
			ZIP CLIP	Standard	Smooth	Fine grain conveyor	Standard		Fine grain conveyor	14.7 m	2906264	
			Endless	Standard	Smooth	Pre-screen conveyor	Folding	Left/right	Pre-screen conveyor	12.4 m	2596212	
			Open	Standard	Smooth	Pre-screen conveyor	Long		Pre-screen conveyor	13.9 m	2252545	
			Open	Standard	Smooth	Pre-screen conveyor	Short		Pre-screen conveyor	9.9 m	2252553	
			ZIP CLIP	Standard	Smooth - EPP HEAVY DUTY VERSION	Crusher discharge conveyor	Complete		Crusher discharge conveyor	20.4 m	3030366	
			Open	Standard	Cleated belt	Permanent magnet separator	Standard		Permanent magnetic separator	5.315 m	M10015357	

# CONVEYOR UNIT

CONVEYOR BELTS											
Series code	Serial code	Series range	Version	Variant	Conveyor belt type	Belt conveyor	Belt conveyor type	Belt conveyor side	Conveyor type	Conveyor length	Part no.
MR 130i EVO2	K078	1 - 9999	ZIP CLIP	Heavy duty	Cleated belt	Permanent magnetic separator	Standard		Permanent magnetic separator	5.315 m	2915601
			ZIP CLIP	Standard	Cleated belt	Permanent magnetic separator	Standard		Permanent magnetic separator	5.315 m	2946342
			Open	Standard	Smooth	Crusher discharge conveyor	Complete		Crusher discharge conveyor	21.9 m	2358894
			Open	Heavy duty	Cleated belt	Electromagnetic separator	Standard		Electromagnetic separator	5.11 m	2361793
			Endless	Standard	Cleated belt	Return conveyor	650 m		Return conveyor	20.3 m	2367237
			Open	Standard	Smooth	Crusher discharge conveyor	Folding		Crusher discharge conveyor	25.1 m	2377874
			Open	Standard	Cleated belt	Return conveyor	Standard		Return conveyor	21.7 m	2377877
			Open	Standard	Smooth	Fine grain conveyor	Standard		Fine grain conveyor	16.2 m	2377897



CONVEYOR BELTS												
Series code	Serial code	Series range	Version	Variant	Conveyor belt type	Belt conveyor	Belt conveyor type	Belt conveyor side	Conveyor type	Conveyor length	Part no.	
MR 130i EVO2	K078	1 - 9999	Open	Heavy duty	Cleated belt	Permanent magnetic separator	Standard		Permanent magnetic separator	5.315 m	2210673	
			ZIP CLIP	Standard	Smooth	Transfer conveyor	Standard		Transfer belt	4.2 m	2849132	
			ZIP CLIP	Standard	Smooth	Crusher discharge conveyor	Complete		Crusher discharge conveyor	20.4 m	2850168	
			ZIP CLIP	Standard	Cleated belt	Return conveyor	Standard		Return conveyor	20.3 m	2850173	
			ZIP CLIP	Standard	Cleated belt	Electromagnetic separator	Standard		Electromagnetic separator	5.11 m	2910184	
			ZIP CLIP	Heavy duty	Cleated belt	Electromagnetic separator	Standard		Electromagnetic separator	5.11 m	2915598	
			ZIP CLIP	Standard	Smooth	Pre-screen conveyor	Folding	Left/right	Pre-screen conveyor	12.4 m	2863250	
			ZIP CLIP	Standard	Cleated belt	Return conveyor	650 m-m		Return conveyor	20.3 m	2863258	
			ZIP CLIP	Standard	Smooth	Pre-screen conveyor	Long		Pre-screen conveyor	12.9 m	2849100	
			ZIP CLIP	Standard	Smooth	Pre-screen conveyor	Short		Pre-screen conveyor	8.9 m	2902871	

## CONVEYOR UNIT

CONVEYOR BELTS											
Series code	Serial code	Series range	Version	Variant	Conveyor belt type	Belt conveyor	Belt conveyor type	Belt conveyor side	Conveyor type	Conveyor length	Part no.
MR 130i EVO2	K078	1 - 9999	Endless	Standard	Cleated belt	Electromagnetic separator	Standard		Electromagnetic separator	5.11 m	2540481
			Endless	Standard	Smooth	Pre-screen conveyor	Long		Side discharge conveyor	12.9 m	F20009762
			Endless	Standard	Smooth	Pre-screen conveyor	Short		Side discharge conveyor	8.9 m	F20011025
			Endless	Standard	Smooth	Transfer conveyor	Standard		Transfer conveyor	4.2 m	F20014607
			Endless	Standard	Smooth	Fine grain conveyor	Standard		Fine grain conveyor (secondary screening unit)	14.7 m	2305013
			Endless	Standard	Cleated belt	Return conveyor	Standard		Return conveyor	20.3 m	2305085
			Endless	Standard	Smooth	Crusher discharge conveyor	Folding		Crusher discharge conveyor	23.6 m	2351696
			Endless	Standard	Smooth	Crusher discharge conveyor	Complete		Crusher discharge conveyor	20.4 m	2358152



CONVEYOR BELTS												
Series code	Serial code	Series range	Version	Variant	Conveyor belt type	Belt conveyor	Belt conveyor type	Belt conveyor side	Conveyor type	Conveyor length	Part no.	
MR 130i EVO2	K078	1 - 9999	ZIP CLIP	Standard	Smooth	Crusher discharge conveyor	Folding		Crusher discharge conveyor	23.6 m	2906259	
MSS 352 EVO	K067	1 - 9999	ZIP CLIP	Standard	Smooth	Hopper discharge conveyor	Standard		Funnel discharge conveyor	7.35 m	3009107	
			ZIP CLIP	Standard	Smooth	Fine grain conveyor	Standard		Fine grain conveyor	5.07 m	3009110	
			ZIP CLIP	Standard	Smooth	Side discharge conveyor	Fines		Side discharge conveyor	14.76 m	3009113	
			ZIP CLIP	Standard	Cleated belt	Main discharge conveyor	Standard		Main discharge conveyor	10.13 m	3009117	
			Endless	Standard	Cleated belt	Main discharge conveyor	Standard		Main discharge conveyor, coarse grain	10.125 m	2345639	
			Open	Standard	Cleated belt	Main discharge conveyor	Standard		Main discharge conveyor	11.125 m	2960268	
			Endless	Standard	Smooth	Hopper discharge conveyor	Standard		Feeding conveyor	7.348 m	2345636	

# CONVEYOR UNIT

CONVEYOR BELTS											
Series code	Serial code	Series range	Version	Variant	Conveyor belt type	Belt conveyor	Belt conveyor type	Belt conveyor side	Conveyor type	Conveyor length	Part no.
MSS 352 EVO	K067	1 - 9999	Endless	Standard	Smooth	Fine grain conveyor	Standard		Collecting conveyor, fine grain	5.074 m	2345637
			Endless	Standard	Cleated belt	Side discharge conveyor	Fines		Side discharge conveyor, medium grain; Side discharge conveyor, fine grain	14.757 m	2345638
			ZIP CLIP	Standard	Cleated belt	Side discharge conveyor	Fines		Side discharge conveyor	14.76 m	3013181
MSS 502 EVO	K066	1 - 9999	ZIP CLIP	Standard	Smooth	Hopper discharge conveyor	Standard		Funnel discharge conveyor	8.87 m	3009106
			ZIP CLIP	Standard	Smooth	Fine grain conveyor	Standard		Fine grain conveyor	7.2 m	3009109
			ZIP CLIP	Standard	Smooth	Side discharge conveyor	Fines		Side discharge conveyor	14.21 m	3009111
			ZIP CLIP	Standard	Smooth	Side discharge conveyor	Medium fractions		Side discharge conveyor	15.17 m	3009115





CONVEYOR BELTS											
Series code	Serial code	Series range	Version	Variant	Conveyor belt type	Belt conveyor	Belt conveyor type	Belt conveyor side	Conveyor type	Conveyor length	Part no.
MSS 502 EVO	K066	1 - 9999	ZIP CLIP	Standard	Cleated belt	Main discharge conveyor	Standard		Main discharge conveyor	10.17 m	3009116
			Endless	Standard	Smooth	Side discharge conveyor	Medium fractions		Side discharge conveyor, medium grain	15.174 m	2345643
			Endless	Standard	Cleated belt	Main discharge conveyor	Standard		Main discharge conveyor, coarse grain	10.169 m	2323721
			Endless	Standard	Smooth	Hopper discharge conveyor	Standard		Feeding conveyor	8.868 m	2345640
			Endless	Standard	Smooth	Fine grain conveyor	Standard		Collecting conveyor, fine grain	7.199 m	2345641
			Endless	Standard	Smooth	Side discharge conveyor	Fines		Side discharge conveyor, fine grain	14.214 m	2345642
			Open	Standard	Cleated belt	Main discharge conveyor	Standard		Main discharge conveyor	10.129 m	2719164

## CONVEYOR UNIT

CONVEYOR BELTS											
Series code	Serial code	Series range	Version	Variant	Conveyor belt type	Belt conveyor	Belt conveyor type	Belt conveyor side	Conveyor type	Conveyor length	Part no.
MS 14 Z	K068	1 - 9999	Endless	Standard	Smooth	Hopper discharge conveyor	Standard		Funnel discharge conveyor	7.36 m	2345644
			Endless	Standard	Smooth	Main discharge conveyor	Standard		Main discharge conveyor, fine grain	10.477 m	2345647
			Endless	Standard	Cleated belt	Side discharge conveyor	Standard	Left	Main discharge conveyor, coarse grain; Side discharge conveyor, medium grain	16.444 m	2345646
			Endless	Standard	Cleated belt	Feeding conveyor	Standard		Feeding conveyor	16.554 m	2345645
MS 15 Z-AD	K047	1 - 9999	ZIP CLIP	Standard	Cleated belt	Side discharge conveyor	Fines		Side discharge conveyor	16.11 m	3060491
			ZIP CLIP	Standard	Cleated belt	Side discharge conveyor	Medium fractions		Side discharge conveyor	15.17 m	3060496
			ZIP CLIP	Standard	Smooth	Side discharge conveyor	Fines		Side discharge conveyor	16.11 m	2983210



CONVEYOR BELTS												
Series code	Serial code	Series range	Version	Variant	Conveyor belt type	Belt conveyor	Belt conveyor type	Belt conveyor side	Conveyor type	Conveyor length	Part no.	
MS 15 Z-AD	K047	1 - 9999	ZIP CLIP	Standard	Smooth	Fine grain conveyor	Standard			Fine grain conveyor	9.77 m	2992037
			ZIP CLIP	Standard	Smooth	Side discharge conveyor	Medium fractions			Side discharge conveyor	15.17 m	2992040
			Endless	Standard	Smooth	Side discharge conveyor	Medium fractions			Side discharge conveyor, medium grain	15.174 m	2476924
			ZIP CLIP	Standard	Smooth	Hopper discharge conveyor	Short			Funnel discharge conveyor	10.05 m	2850280
			Endless	Standard	Smooth	Hopper discharge conveyor	Short			Feeding conveyor	10.048 m	2232586
			Endless	Standard	Cleated belt	Main discharge conveyor	Standard			Main discharge conveyor, coarse grain	11.829 m	2274517
			Endless	Standard	Smooth	Fine grain conveyor	Standard			Collecting conveyor, fine grain	16.113 m	2274524
			Endless	Standard	Smooth	Side discharge conveyor	Fines			Side discharge conveyor, fine grain	16.113 m	2287592

## CONVEYOR UNIT

CONVEYOR BELTS											
Series code	Serial code	Series range	Version	Variant	Conveyor belt type	Belt conveyor	Belt conveyor type	Belt conveyor side	Conveyor type	Conveyor length	Part no.
MS 15 Z-AD	K047	1 - 9999	ZIP CLIP	Standard	Cleated belt	Main discharge conveyor	Standard		Main discharge conveyor	11.829 m	2850276
MS 16 Z	K048	1 - 9999	ZIP CLIP	Standard	Smooth	Feeding conveyor	Standard		Feeding conveyor	20.019 m	2983064
			Endless	Standard	Cleated belt	Feeding conveyor	Standard		Chevron feeding conveyor	20.019 m	2287601
			ZIP CLIP	Standard	Smooth	Hopper discharge conveyor	Long		Funnel discharge conveyor	9.9 m	2983152
			ZIP CLIP	Standard	Smooth	Main discharge conveyor	Standard		Main discharge conveyor	13.39 m	2983204
			ZIP CLIP	Standard	Cleated belt	Side discharge conveyor	Standard	Left	Side discharge conveyor	18.98 m	2992026
			ZIP CLIP	Standard	Smooth	Hopper discharge conveyor	Short		Funnel discharge conveyor	8.1 m	2850235
			Endless	Standard	Smooth	Hopper discharge conveyor	Short		Funnel discharge conveyor	8.068 m	M10020070
			Endless	Standard	Smooth	Hopper discharge conveyor	Long		Funnel discharge conveyor	9.898 m	M10020071



CONVEYOR BELTS											
Series code	Serial code	Series range	Version	Variant	Conveyor belt type	Belt conveyor	Belt conveyor type	Belt conveyor side	Conveyor type	Conveyor length	Part no.
MS 16 Z	K048	1 - 9999	Endless	Standard	Smooth	Feeding conveyor	Standard		Feeding conveyor	20.019 m	M10020212
			Endless	Standard	Cleated belt	Side discharge conveyor	Standard	Left	Side discharge conveyor, medium grain, left; Side discharge conveyor, medium grain, right	18.979 m	M10023645
			Endless	Standard	Smooth	Main discharge conveyor	Standard		Main discharge conveyor, fine grain	13.389 m	M10023646
			Endless	Standard	Cleated belt	Over-size grain conveyor	500 m-m		Main discharge conveyor, coarse grain	17.719 m	2222752
			Endless	Standard	Smooth	Transfer conveyor	Standard		Transfer belt	4.17 m	2286400
			Endless	Standard	Cleated belt	Over-size grain conveyor	650 m-m		Main discharge conveyor, coarse grain	17.719 m	2287591



## CONVEYOR UNIT

CONVEYOR BELTS											
Series code	Serial code	Series range	Version	Variant	Conveyor belt type	Belt conveyor	Belt conveyor type	Belt conveyor side	Conveyor type	Conveyor length	Part no.
MS 16 Z	K048	1 - 9999	ZIP CLIP	Standard	Cleated belt	Feeding conveyor	Standard		Feeding conveyor	20.019 m	2983147
MS 16 D	K049	1 - 9999	ZIP CLIP	Standard	Smooth	Feeding conveyor	Standard		Feeding conveyor	20.019 m	2983064
			Endless	Standard	Cleated belt	Over-size grain conveyor	650 m-m		Main discharge conveyor, coarse grain	17.719 m	2287591
			ZIP CLIP	Standard	Smooth	Hopper discharge conveyor	Long		Funnel discharge conveyor	9.9 m	2983152
			ZIP CLIP	Standard	Smooth	Main discharge conveyor	Standard		Main discharge conveyor	13.39 m	2983204
			ZIP CLIP	Standard	Cleated belt	Over-size grain conveyor	650 m-m		Over-size grain conveyor	17.72 m	2992022
			ZIP CLIP	Standard	Cleated belt	Side discharge conveyor	Standard	Left	Side discharge conveyor	18.98 m	2992026
			ZIP CLIP	Standard	Cleated belt	Over-size grain conveyor	500 m-m		Over-size grain conveyor	17.72 m	2992034
			ZIP CLIP	Standard	Smooth	Transfer conveyor	Standard		Transfer belt	4.17 m	2850170



CONVEYOR BELTS											
Series code	Serial code	Series range	Version	Variant	Conveyor belt type	Belt conveyor	Belt conveyor type	Belt conveyor side	Conveyor type	Conveyor length	Part no.
MS 16 D	K049	1 - 9999	ZIP CLIP	Standard	Smooth	Hopper discharge conveyor	Short		Funnel discharge conveyor	8.1 m	2850235
			Endless	Standard	Cleated belt	Feeding conveyor	Standard		Chevron feeding conveyor	20.019 m	2287601
			Endless	Standard	Smooth	Hopper discharge conveyor	Short		Funnel discharge conveyor	8.068 m	M10020070
			Endless	Standard	Smooth	Hopper discharge conveyor	Long		Funnel discharge conveyor	9.898 m	M10020071
			Endless	Standard	Smooth	Feeding conveyor	Standard		Feeding conveyor	20.019 m	M10020212
			Endless	Standard	Cleated belt	Side discharge conveyor	Standard	Left	Side discharge conveyor, medium grain, left; Side discharge conveyor, medium grain, right	18.979 m	M10023645

## CONVEYOR UNIT

CONVEYOR BELTS											
Series code	Serial code	Series range	Version	Variant	Conveyor belt type	Belt conveyor	Belt conveyor type	Belt conveyor side	Conveyor type	Conveyor length	Part no.
MS 16 D	K049	1 - 9999	Endless	Standard	Smooth	Main discharge conveyor	Standard		Main discharge conveyor, fine grain	13.389 m	M10023646
			Endless	Standard	Cleated belt	Over-size grain conveyor	500 m-m		Main discharge conveyor, coarse grain	17.719 m	2222752
			Endless	Standard	Smooth	Transfer conveyor	Standard		Transfer belt	4.17 m	2286400
			ZIP CLIP	Standard	Cleated belt	Feeding conveyor	Standard		Feeding conveyor	20.019 m	2983147
MS 19 Z	K054	1 - 9999	ZIP CLIP	Standard	Smooth	Feeding conveyor	Standard		Feeding conveyor	24.419 m	2983071
			Endless	Standard	Smooth	Main discharge conveyor	Standard		Main discharge conveyor, fine grain	16.879 m	2287587
			ZIP CLIP	Standard	Cleated belt	Feeding conveyor	Standard		Feeding conveyor	24.419 m	2983142
			ZIP CLIP	Standard	Smooth	Hopper discharge conveyor	Long		Funnel discharge conveyor	9.9 m	2983152
			ZIP CLIP	Standard	Smooth	Hopper discharge conveyor	Short		Funnel discharge conveyor	8.1 m	2850235





CONVEYOR BELTS												
Series code	Serial code	Series range	Version	Variant	Conveyor belt type	Belt conveyor	Belt conveyor type	Belt conveyor side	Conveyor type	Conveyor length	Part no.	
MS 19 Z	K054	1 - 9999	Endless	Standard	Cleated belt	Over-size grain conveyor	650 m-m			Main discharge conveyor, coarse grain	17.719 m	2287591
			Endless	Standard	Smooth	Hopper discharge conveyor	Long			Funnel discharge conveyor	9.898 m	M10020071
			ZIP CLIP	Standard	Cleated belt	Side discharge conveyor	Standard	Left		Side discharge conveyor	21.379 m	2850271
			Endless	Standard	Smooth	Hopper discharge conveyor	Short			Funnel discharge conveyor	8.068 m	M10020070
			Endless	Standard	Smooth	Feeding conveyor	Standard			Feeding conveyor	24.419 m	M10020213
			Endless	Standard	Cleated belt	Over-size grain conveyor	500 m-m			Side discharge conveyor, medium grain	17.719 m	2222752
			Endless	Standard	Cleated belt	Side discharge conveyor	Standard	Left		Main discharge conveyor, coarse grain	21.379 m	2228594
			Endless	Standard	Smooth	Transfer conveyor	Standard			Transfer belt	4.17 m	2286400



## CONVEYOR UNIT

CONVEYOR BELTS											
Series code	Serial code	Series range	Version	Variant	Conveyor belt type	Belt conveyor	Belt conveyor type	Belt conveyor side	Conveyor type	Conveyor length	Part no.
MS 19 Z	K054	1 - 9999	Endless	Standard	Cleated belt	Feeding conveyor	Standard		Chevron feeding conveyor	24.419 m	2287582
			ZIP CLIP	Standard	Smooth	Main discharge conveyor	Standard		Main discharge conveyor	16.879 m	2983076
MS 19 D	K055	1 - 9999	ZIP CLIP	Standard	Cleated belt	Over-size grain conveyor	650 m-m		Over-size grain conveyor	17.72 m	2992022
			Endless	Standard	Smooth	Main discharge conveyor	Standard		Main discharge conveyor, fine grain	16.879 m	2287587
			ZIP CLIP	Standard	Smooth	Feeding conveyor	Standard		Feeding conveyor	24.419 m	2983071
			ZIP CLIP	Standard	Smooth	Main discharge conveyor	Standard		Main discharge conveyor	16.879 m	2983076
			ZIP CLIP	Standard	Cleated belt	Feeding conveyor	Standard		Feeding conveyor	24.419 m	2983142
			ZIP CLIP	Standard	Smooth	Hopper discharge conveyor	Long		Funnel discharge conveyor	9.9 m	2983152
			ZIP CLIP	Standard	Cleated belt	Over-size grain conveyor	650 m-m		Over-size grain conveyor	17.85 m	2992020



CONVEYOR BELTS													
Series code	Serial code	Series range	Version	Variant	Conveyor belt type	Belt conveyor	Belt conveyor type	Belt conveyor side	Conveyor type	Conveyor length	Part no.		
MS 19 D	K055	1 - 9999	ZIP CLIP	Standard	Cleated belt	Over-size grain conveyor	500 m-m			Over-size grain conveyor	17.72 m	2992034	
			ZIP CLIP	Standard	Smooth	Transfer conveyor	Standard			Transfer belt	4.17 m	2850170	
			ZIP CLIP	Standard	Smooth	Hopper discharge conveyor	Short				Funnel discharge conveyor	8.1 m	2850235
			Endless	Standard	Cleated belt	Over-size grain conveyor	650 m-m				Main discharge conveyor, coarse grain	17.719 m	2287591
			ZIP CLIP	Standard	Cleated belt	Side discharge conveyor	Standard	Left			Side discharge conveyor	21.379 m	2850271
			Endless	Standard	Smooth	Hopper discharge conveyor	Short				Funnel discharge conveyor	8.068 m	M10020070
			Endless	Standard	Smooth	Hopper discharge conveyor	Long				Funnel discharge conveyor	9.898 m	M10020071
			Endless	Standard	Smooth	Feeding conveyor	Standard				Feeding conveyor	24.419 m	M10020213

## CONVEYOR UNIT

CONVEYOR BELTS											
Series code	Serial code	Series range	Version	Variant	Conveyor belt type	Belt conveyor	Belt conveyor type	Belt conveyor side	Conveyor type	Conveyor length	Part no.
MS 19 D	K055	1 - 9999	Endless	Standard	Cleated belt	Over-size grain conveyor	500 m-m		Side discharge conveyor, medium grain	17.719 m	2222752
			Endless	Standard	Cleated belt	Side discharge conveyor	Standard	Left	Main discharge conveyor, coarse grain	21.379 m	2228594
			Endless	Standard	Smooth	Transfer conveyor	Standard		Transfer belt	4.17 m	2286400
			Endless	Standard	Cleated belt	Feeding conveyor	Standard		Chevron feeding conveyor	24.419 m	2287582
			Endless	Standard	Cleated belt	Over-size grain conveyor	650 m-m		Over-size grain conveyor	17.849 m	M10024194
MSS 1102 PRO	K076	1 - 9999	Endless	Standard	Smooth	Hopper discharge conveyor	Short		Feeding conveyor	10.648 m	2338017
			Endless	Standard	Smooth	Fine grain conveyor	Standard		Collecting conveyor, fine grain	11.909 m	2345649
			Endless	Standard	Cleated belt	Main discharge conveyor	Standard		Main discharge conveyor, coarse grain	11.849 m	2345653



CONVEYOR BELTS											
Series code	Serial code	Series range	Version	Variant	Conveyor belt type	Belt conveyor	Belt conveyor type	Belt conveyor side	Conveyor type	Conveyor length	Part no.
MSS 1102 PRO	K076	1 - 9999	Endless	Standard	Smooth	Side discharge conveyor	Medium fractions		Side discharge conveyor, medium grain	17.25 m	2345651
			Endless	Standard	Smooth	Side discharge conveyor	Fines		Side discharge conveyor, fine grain	16.634 m	2345650
MSS 802 EVO	K082	1 - 9999	Endless	Standard	Cleated belt	Side discharge conveyor	Medium fractions		Side discharge conveyor	18.4 m	2670262
			Endless	Standard	Cleated belt	Side discharge conveyor	Medium fractions		Side discharge conveyor	16.4 m	2746448
			Endless	Standard	Smooth	Side discharge conveyor	Fines		Side discharge conveyor	18.4 m	2670360
			ZIP CLIP	Standard	Smooth	Fine grain conveyor	Standard		Fine grain conveyor	9.63 m	2924073
			ZIP CLIP	Standard	Smooth	Side discharge conveyor	Fines		Side discharge conveyor	16.4 m	2924080
			ZIP CLIP	Standard	Smooth	Side discharge conveyor	Fines		Side discharge conveyor	18.4 m	2924082



## CONVEYOR UNIT

CONVEYOR BELTS											
Series code	Serial code	Series range	Version	Variant	Conveyor belt type	Belt conveyor	Belt conveyor type	Belt conveyor side	Conveyor type	Conveyor length	Part no.
MSS 802 EVO	K082	1 - 9999	Endless	Standard	Smooth	Fine grain conveyor	Standard		Fine grain conveyor	9.63 m	2670353
			Endless	Standard	Smooth	Side discharge conveyor	Fines		Side discharge conveyor	16.4 m	2746248
			Open	Standard	Smooth	Fine grain conveyor	Standard		Fine grain conveyor	11.13 m	2893634
			Open	Standard	Smooth	Side discharge conveyor	Fines		Side discharge conveyor	17.4 m	2893608
			Open	Standard	Cleated belt	Side discharge conveyor	Medium fractions		Side discharge conveyor	17.4 m	2893605
			Open	Standard	Smooth	Hopper discharge conveyor	Standard		Funnel discharge conveyor	11.52 m	2893599
			ZIP CLIP	Standard	Cleated belt	Side discharge conveyor	Medium fractions		Side discharge conveyor	16.4 m	2924088
			ZIP CLIP	Standard	Cleated belt	Side discharge conveyor	Medium fractions		Side discharge conveyor	18.4 m	2924091
			ZIP CLIP	Standard	Smooth	Hopper discharge conveyor	Standard		Funnel discharge conveyor	10.02 m	2924093



CONVEYOR BELTS											
Series code	Serial code	Series range	Version	Variant	Conveyor belt type	Belt conveyor	Belt conveyor type	Belt conveyor side	Conveyor type	Conveyor length	Part no.
MSS 802 EVO	K082	1 - 9999	Endless	Standard	Smooth	Hopper discharge conveyor	Standard		Funnel discharge conveyor	10.02 m	2724468
			Open	Standard	Cleated belt	Side discharge conveyor	Medium fractions		Side discharge conveyor	19.4 m	2893229
			Open	Standard	Smooth	Side discharge conveyor	Fines		Side discharge conveyor	19.4 m	2893561
		10 - 9999	Open	Standard	Cleated belt	Main discharge conveyor	Standard		Main discharge conveyor	14.5 m	2893616
			Open	Standard	Cleated belt	Main discharge conveyor	Standard		Main discharge conveyor	17.5 m	2893591
			Endless	Standard	Cleated belt	Main discharge conveyor	Standard		Main discharge conveyor	15.99 m	2670376
			Endless	Standard	Cleated belt	Main discharge conveyor	Standard		Main discharge conveyor	13.03 m	2738993
			ZIP CLIP	Standard	Cleated belt	Main discharge conveyor	Standard		Main discharge conveyor	15.99 m	2924086

## CONVEYOR UNIT

CONVEYOR BELTS											
Series code	Serial code	Series range	Version	Variant	Conveyor belt type	Belt conveyor	Belt conveyor type	Belt conveyor side	Conveyor type	Conveyor length	Part no.
MSS 802 EVO	K082	10 - 9999	ZIP CLIP	Standard	Cleated belt	Main discharge conveyor	Standard		Main discharge conveyor	13.03 m	2924084
MSC 702 EVO	K083	1 - 9999	Open	Standard	Smooth	Main discharge conveyor	Standard		Main discharge conveyor	15.1 m	2457434
			Open	Standard	Cleated belt	Feeding conveyor	Standard		Feeding conveyor	23 m	2552302
			ZIP CLIP	Standard	Smooth	Feeding conveyor	Standard		Feeding conveyor	21.5 m	2850264
			ZIP CLIP	Standard	Smooth	Hopper discharge conveyor	Short		Funnel discharge conveyor	8.1 m	2850235
			ZIP CLIP	Standard	Smooth	Hopper discharge conveyor	Long		Funnel discharge conveyor	9.7 m	2946345
			ZIP CLIP	Standard	Smooth	Main discharge conveyor	Standard		Main discharge conveyor	14.1 m	2946344
			Open	Standard	Smooth	Hopper discharge conveyor	Long		Funnel discharge conveyor	11.2 m	2572097
			Open	Standard	Cleated belt	Side discharge conveyor	Standard	Left	Side discharge conveyor	22.2 m	2608531





CONVEYOR BELTS											
Series code	Serial code	Series range	Version	Variant	Conveyor belt type	Belt conveyor	Belt conveyor type	Belt conveyor side	Conveyor type	Conveyor length	Part no.
MSC 702 EVO	K083	1 - 9999	Endless	Standard	Cleated belt	Feeding conveyor	Standard		Feeding conveyor	21.5 m	2409572
			Open	Standard	Smooth	Hopper discharge conveyor	Short		Funnel discharge conveyor	9.6 m	2428492
			Open	Standard	Smooth	Feeding conveyor	Standard		Feeding conveyor	23 m	2448650
			ZIP CLIP	Standard	Cleated belt	Feeding conveyor	Standard		Feeding conveyor	21.5 m	2946346
			ZIP CLIP	Standard	Cleated belt	Side discharge conveyor	Standard	Left	Side discharge conveyor	21.2 m	2946347
		10 - 9999	Endless	Standard	Smooth	Hopper discharge conveyor	Long		Funnel discharge conveyor	9.7 m	2354663
			Endless	Standard	Smooth	Main discharge conveyor	Standard		Main discharge conveyor, fine grain	14.1 m	2365692
			Endless	Standard	Smooth	Hopper discharge conveyor	Short		Funnel discharge conveyor	8.1 m	2365474

# CONVEYOR UNIT

CONVEYOR BELTS											
Series code	Serial code	Series range	Version	Variant	Conveyor belt type	Belt conveyor	Belt conveyor type	Belt conveyor side	Conveyor type	Conveyor length	Part no.
MSC 702 EVO	K083	10 - 9999	Endless	Standard	Cleated belt	Side discharge conveyor	Standard	Left	Side discharge conveyor, coarse to medium grain	21.2 m	2364608
			Endless	Standard	Smooth	Feeding conveyor	Standard		Feeding conveyor	21.5 m	2366596
MSC 703 EVO	K084	1 - 9999	Open	Standard	Smooth	Main discharge conveyor	Standard		Main discharge conveyor	15.1 m	2457434
			Open	Standard	Cleated belt	Feeding conveyor	Standard		Feeding conveyor	23 m	2552302
			ZIP CLIP	Standard	Smooth	Feeding conveyor	Standard		Feeding conveyor	21.5 m	2850264
			Endless	Standard	Cleated belt	Side discharge conveyor	Standard	Left	Side discharge conveyor, coarse to medium grain	21.2 m	2364608
			ZIP CLIP	Standard	Cleated belt	Over-size grain conveyor	Standard		Over-size grain conveyor	18.6 m	2850249
			ZIP CLIP	Standard	Smooth	Hopper discharge conveyor	Short		Funnel discharge conveyor	8.1 m	2850235



CONVEYOR BELTS											
Series code	Serial code	Series range	Version	Variant	Conveyor belt type	Belt conveyor	Belt conveyor type	Belt conveyor side	Conveyor type	Conveyor length	Part no.
MSC 703 EVO	K084	1 - 9999	ZIP CLIP	Standard	Smooth	Transfer conveyor	Standard		Transfer belt	4.25 m	2850230
			Endless	Standard	Cleated belt	Feeding conveyor	Standard		Feeding conveyor	21.5 m	2409572
			Open	Standard	Cleated belt	Over-size grain conveyor	Standard		Over-size grain conveyor	19.6 m	2565195
			Open	Standard	Smooth	Hopper discharge conveyor	Long		Funnel discharge conveyor	11.2 m	2572097
			Open	Standard	Cleated belt	Side discharge conveyor	Standard	Left	Side discharge conveyor	22.2 m	2608531
			Open	Standard	Smooth	Hopper discharge conveyor	Short		Funnel discharge conveyor	9.6 m	2428492
			Open	Standard	Smooth	Transfer conveyor	Standard		Transfer belt	5.25 m	2428782
			Open	Standard	Smooth	Feeding conveyor	Standard		Feeding conveyor	23 m	2448650
			ZIP CLIP	Standard	Cleated belt	Feeding conveyor	Standard		Feeding conveyor	21.5 m	2946346
			ZIP CLIP	Standard	Cleated belt	Side discharge conveyor	Standard	Left	Side discharge conveyor	21.2 m	2946347

## CONVEYOR UNIT

CONVEYOR BELTS											
Series code	Serial code	Series range	Version	Variant	Conveyor belt type	Belt conveyor	Belt conveyor type	Belt conveyor side	Conveyor type	Conveyor length	Part no.
MSC 703 EVO	K084	1 - 9999	ZIP CLIP	Standard	Smooth	Main discharge conveyor	Standard		Main discharge conveyor	14.1 m	2946344
			ZIP CLIP	Standard	Smooth	Hopper discharge conveyor	Long		Funnel discharge conveyor	9.7 m	2946345
		10 - 9999	Endless	Standard	Smooth	Hopper discharge conveyor	Long		Funnel discharge conveyor	9.7 m	2354663
			Endless	Standard	Cleated belt	Side discharge conveyor	Standard	Left	Side discharge conveyor, medium grain	21.2 m	2347436
			Endless	Standard	Smooth	Main discharge conveyor	Standard		Main discharge conveyor, fine grain	14.1 m	2365692
			Endless	Standard	Smooth	Hopper discharge conveyor	Short		Funnel discharge conveyor	8.1 m	2365474
			Endless	Standard	Cleated belt	Over-size grain conveyor	Standard		Main discharge conveyor, coarse grain	18.6 m	2355976



CONVEYOR BELTS											
Series code	Serial code	Series range	Version	Variant	Conveyor belt type	Belt conveyor	Belt conveyor type	Belt conveyor side	Conveyor type	Conveyor length	Part no.
MSC 703 EVO	K084	10 - 9999	Endless	Standard	Smooth	Transfer conveyor	Standard		Upper deck transfer conveyor	4.25 m	2355971
			Endless	Standard	Smooth	Feeding conveyor	Standard		Feeding conveyor	21.5 m	2366596
MSC 952 EVO	K085	1 - 9999	Open	Standard	Smooth	Hopper discharge conveyor	Long		Funnel discharge conveyor	11.2 m	2572097
			Open	Standard	Cleated belt	Feeding conveyor	Standard		Feeding conveyor	26.4 m	2608692
			ZIP CLIP	Standard	Smooth	Feeding conveyor	Standard		Feeding conveyor	24.9 m	2850262
			ZIP CLIP	Standard	Smooth	Hopper discharge conveyor	Short		Funnel discharge conveyor	8.1 m	2850235
			ZIP CLIP	Standard	Cleated belt	Side discharge conveyor	Standard	Left	Side discharge conveyor	21.2 m	2850233
			Endless	Standard	Cleated belt	Feeding conveyor	Standard		Feeding conveyor	24.9 m	2404381
			Open	Standard	Cleated belt	Side discharge conveyor	Standard	Left	Side discharge conveyor	22.2 m	2428490
			Open	Standard	Smooth	Feeding conveyor	Standard		Feeding conveyor	26.4 m	2428491

## CONVEYOR UNIT

CONVEYOR BELTS											
Series code	Serial code	Series range	Version	Variant	Conveyor belt type	Belt conveyor	Belt conveyor type	Belt conveyor side	Conveyor type	Conveyor length	Part no.
MSC 952 EVO	K085	1 - 9999	Open	Standard	Smooth	Hopper discharge conveyor	Short		Funnel discharge conveyor	9.6 m	2428492
			Open	Standard	Smooth	Main discharge conveyor	Standard		Main discharge conveyor	18.6 m	2428810
			ZIP CLIP	Standard	Cleated belt	Feeding conveyor	Standard		Feeding conveyor	24.9 m	2948757
			ZIP CLIP	Standard	Smooth	Main discharge conveyor	Standard		Main discharge conveyor	23.9 m	2948759
			ZIP CLIP	Standard	Smooth	Hopper discharge conveyor	Long		Funnel discharge conveyor	9.7 m	2946345
		10 - 9999	Endless	Standard	Cleated belt	Side discharge conveyor	Standard	Left	Side discharge conveyor, coarse to medium grain	21.2 m	2347436
			Endless	Standard	Smooth	Hopper discharge conveyor	Long		Funnel discharge conveyor	9.7 m	2354663
			Endless	Standard	Smooth	Main discharge conveyor	Standard		Main discharge conveyor, fine grain	17.1 m	2351092



CONVEYOR BELTS											
Series code	Serial code	Series range	Version	Variant	Conveyor belt type	Belt conveyor	Belt conveyor type	Belt conveyor side	Conveyor type	Conveyor length	Part no.
MSC 952 EVO	K085	10 - 9999	Endless	Standard	Smooth	Feeding conveyor	Standard		Feeding conveyor	24.9 m	2350690
			Endless	Standard	Smooth	Hopper discharge conveyor	Short		Funnel discharge conveyor	8.1 m	2365474
MSC 953 EVO	K086	1 - 9999	Open	Standard	Cleated belt	Over-size grain conveyor	Standard		Over-size grain conveyor	19.6 m	2565195
			ZIP CLIP	Standard	Smooth	Feeding conveyor	Standard		Feeding conveyor	24.9 m	2850262
			Open	Standard	Cleated belt	Feeding conveyor	Standard		Feeding conveyor	26.4 m	2608692
			Open	Standard	Cleated belt	Side discharge conveyor	Standard	Left	Side discharge conveyor	22.2 m	2428490
			Open	Standard	Smooth	Feeding conveyor	Standard		Feeding conveyor	26.4 m	2428491
			Open	Standard	Smooth	Hopper discharge conveyor	Short		Funnel discharge conveyor	9.6 m	2428492
			Open	Standard	Smooth	Transfer conveyor	Standard		Transfer belt	5.25 m	2428782
			Open	Standard	Smooth	Main discharge conveyor	Standard		Main discharge conveyor	18.6 m	2428810

## CONVEYOR UNIT

CONVEYOR BELTS											
Series code	Serial code	Series range	Version	Variant	Conveyor belt type	Belt conveyor	Belt conveyor type	Belt conveyor side	Conveyor type	Conveyor length	Part no.
MSC 953 EVO	K086	1 - 9999	ZIP CLIP	Standard	Cleated belt	Feeding conveyor	Standard		Feeding conveyor	24.9 m	2948757
			ZIP CLIP	Standard	Smooth	Main discharge conveyor	Standard		Main discharge conveyor	23.9 m	2948759
			ZIP CLIP	Standard	Smooth	Hopper discharge conveyor	Long		Funnel discharge conveyor	9.7 m	2946345
			Endless	Standard	Cleated belt	Feeding conveyor	Standard		Feeding conveyor	24.9 m	2404381
			ZIP CLIP	Standard	Smooth	Transfer conveyor	Standard		Transfer belt	4.25 m	2850230
			ZIP CLIP	Standard	Cleated belt	Side discharge conveyor	Standard	Left	Side discharge conveyor	21.2 m	2850233
			ZIP CLIP	Standard	Smooth	Hopper discharge conveyor	Short		Funnel discharge conveyor	8.1 m	2850235
			ZIP CLIP	Standard	Cleated belt	Over-size grain conveyor	Standard		Over-size grain conveyor	18.6 m	2850249
			Open	Standard	Smooth	Hopper discharge conveyor	Long		Funnel discharge conveyor	11.2 m	2572097
		10 - 9999	Endless	Standard	Smooth	Feeding conveyor	Standard		Feeding conveyor	24.9 m	2350690





CONVEYOR BELTS											
Series code	Serial code	Series range	Version	Variant	Conveyor belt type	Belt conveyor	Belt conveyor type	Belt conveyor side	Conveyor type	Conveyor length	Part no.
MSC 953 EVO	K086	10 - 9999	Endless	Standard	Smooth	Main discharge conveyor	Standard		Main discharge conveyor, fine grain	17.1 m	2351092
			Endless	Standard	Smooth	Hopper discharge conveyor	Long		Funnel discharge conveyor	9.7 m	2354663
			Endless	Standard	Smooth	Transfer conveyor	Standard		Upper deck transfer conveyor	4.25 m	2355971
			Endless	Standard	Cleated belt	Over-size grain conveyor	Standard		Main discharge conveyor, coarse grain	18.6 m	2355976
			Endless	Standard	Smooth	Hopper discharge conveyor	Short		Funnel discharge conveyor	8.1 m	2365474
			Endless	Standard	Cleated belt	Side discharge conveyor	Standard	Left	Side discharge conveyor, medium grain	21.2 m	2347436
MSS 802i EVO	K102	1 - 9999	Endless	Standard	Cleated belt	Side discharge conveyor	Medium fractions		Side discharge conveyor	18.4 m	2670262

## CONVEYOR UNIT

CONVEYOR BELTS											
Series code	Serial code	Series range	Version	Variant	Conveyor belt type	Belt conveyor	Belt conveyor type	Belt conveyor side	Conveyor type	Conveyor length	Part no.
MSS 802i EVO	K102	1 - 9999	Endless	Standard	Cleated belt	Side discharge conveyor	Medium fractions		Side discharge conveyor	16.4 m	2746448
			ZIP CLIP	Standard	Smooth	Fine grain conveyor	Standard		Fine grain conveyor	9.63 m	2924073
			ZIP CLIP	Standard	Smooth	Side discharge conveyor	Fines		Side discharge conveyor	16.4 m	2924080
			ZIP CLIP	Standard	Smooth	Side discharge conveyor	Fines		Side discharge conveyor	18.4 m	2924082
			Endless	Standard	Smooth	Fine grain conveyor	Standard		Fine grain conveyor	9.63 m	2670353
			Endless	Standard	Smooth	Side discharge conveyor	Fines		Side discharge conveyor	16.4 m	2746248
			Endless	Standard	Smooth	Hopper discharge conveyor	Standard		Funnel discharge conveyor	10.02 m	2724468
			Endless	Standard	Smooth	Side discharge conveyor	Fines		Side discharge conveyor	18.4 m	2670360
			Open	Standard	Smooth	Fine grain conveyor	Standard		Fine grain conveyor	11.13 m	2893634



CONVEYOR BELTS											
Series code	Serial code	Series range	Version	Variant	Conveyor belt type	Belt conveyor	Belt conveyor type	Belt conveyor side	Conveyor type	Conveyor length	Part no.
MSS 802i EVO	K102	1 - 9999	Open	Standard	Smooth	Side discharge conveyor	Fines		Side discharge conveyor	17.4 m	2893608
			ZIP CLIP	Standard	Cleated belt	Side discharge conveyor	Medium fractions		Side discharge conveyor	16.4 m	2924088
			ZIP CLIP	Standard	Cleated belt	Side discharge conveyor	Medium fractions		Side discharge conveyor	18.4 m	2924091
			ZIP CLIP	Standard	Smooth	Hopper discharge conveyor	Standard		Funnel discharge conveyor	10.02 m	2924093
			Open	Standard	Cleated belt	Side discharge conveyor	Medium fractions		Side discharge conveyor	19.4 m	2893229
			Open	Standard	Smooth	Side discharge conveyor	Fines		Side discharge conveyor	19.4 m	2893561
			Open	Standard	Smooth	Hopper discharge conveyor	Standard		Funnel discharge conveyor	11.52 m	2893599
			Open	Standard	Cleated belt	Side discharge conveyor	Medium fractions		Side discharge conveyor	17.4 m	2893605

# CONVEYOR UNIT

CONVEYOR BELTS											
Series code	Serial code	Series range	Version	Variant	Conveyor belt type	Belt conveyor	Belt conveyor type	Belt conveyor side	Conveyor type	Conveyor length	Part no.
MSS 802i EVO	K102	10 - 9999	Endless	Standard	Cleated belt	Main discharge conveyor	Standard		Main discharge conveyor	15.99 m	2670376
			Open	Standard	Cleated belt	Main discharge conveyor	Standard		Main discharge conveyor	14.5 m	2893616
			Open	Standard	Cleated belt	Main discharge conveyor	Standard		Main discharge conveyor	17.5 m	2893591
			Endless	Standard	Cleated belt	Main discharge conveyor	Standard		Main discharge conveyor	13.03 m	2738993
			ZIP CLIP	Standard	Cleated belt	Main discharge conveyor	Standard		Main discharge conveyor	15.99 m	2924086
			ZIP CLIP	Standard	Cleated belt	Main discharge conveyor	Standard		Main discharge conveyor	13.03 m	2924084
MSC 702i EVO	K103	1 - 9999	Open	Standard	Smooth	Main discharge conveyor	Standard		Main discharge conveyor	15.1 m	2457434
			Open	Standard	Cleated belt	Feeding conveyor	Standard		Feeding conveyor	23 m	2552302
			ZIP CLIP	Standard	Smooth	Feeding conveyor	Standard		Feeding conveyor	21.5 m	2850264



CONVEYOR BELTS													
Series code	Serial code	Series range	Version	Variant	Conveyor belt type	Belt conveyor	Belt conveyor type	Belt conveyor side	Conveyor type	Conveyor length	Part no.		
MSC 702i EVO	K103	1 - 9999	ZIP CLIP	Standard	Smooth	Hopper discharge conveyor	Short			Funnel discharge conveyor	8.1 m	2850235	
			ZIP CLIP	Standard	Smooth	Hopper discharge conveyor	Long			Funnel discharge conveyor	9.7 m	2946345	
			ZIP CLIP	Standard	Smooth	Main discharge conveyor	Standard				Main discharge conveyor	14.1 m	2946344
			Open	Standard	Smooth	Hopper discharge conveyor	Long				Funnel discharge conveyor	11.2 m	2572097
			Open	Standard	Cleated belt	Side discharge conveyor	Standard	Left			Side discharge conveyor	22.2 m	2608531
			Open	Standard	Smooth	Hopper discharge conveyor	Short				Funnel discharge conveyor	9.6 m	2428492
			Open	Standard	Smooth	Feeding conveyor	Standard				Feeding conveyor	23 m	2448650
			Endless	Standard	Cleated belt	Feeding conveyor	Standard				Feeding conveyor	21.5 m	2409572
			ZIP CLIP	Standard	Cleated belt	Feeding conveyor	Standard				Feeding conveyor	21.5 m	2946346

## CONVEYOR UNIT

CONVEYOR BELTS												
Series code	Serial code	Series range	Version	Variant	Conveyor belt type	Belt conveyor	Belt conveyor type	Belt conveyor side	Conveyor type	Conveyor length	Part no.	
MSC 702i EVO	K103	1 - 9999	ZIP CLIP	Standard	Cleated belt	Side discharge conveyor	Standard	Left	Side discharge conveyor	21.2 m	2946347	
			Endless	Standard	Smooth	Hopper discharge conveyor	Long		Funnel discharge conveyor	9.7 m	2354663	
		10 - 9999	Endless	Standard	Smooth	Main discharge conveyor	Standard			Main discharge conveyor, fine grain	14.1 m	2365692
			Endless	Standard	Smooth	Hopper discharge conveyor	Short			Funnel discharge conveyor	8.1 m	2365474
			Endless	Standard	Cleated belt	Side discharge conveyor	Standard	Left		Side discharge conveyor, coarse to medium grain	21.2 m	2364608
			Endless	Standard	Smooth	Feeding conveyor	Standard			Feeding conveyor	21.5 m	2366596
MSC 703i EVO	K104	1 - 9999	Open	Standard	Smooth	Main discharge conveyor	Standard		Main discharge conveyor	15.1 m	2457434	
			Open	Standard	Cleated belt	Feeding conveyor	Standard		Feeding conveyor	23 m	2552302	



CONVEYOR BELTS											
Series code	Serial code	Series range	Version	Variant	Conveyor belt type	Belt conveyor	Belt conveyor type	Belt conveyor side	Conveyor type	Conveyor length	Part no.
MSC 703i EVO	K104	1 - 9999	ZIP CLIP	Standard	Smooth	Feeding conveyor	Standard		Feeding conveyor	21.5 m	2850264
			ZIP CLIP	Standard	Cleated belt	Over-size grain conveyor	Standard		Over-size grain conveyor	18.6 m	2850249
			ZIP CLIP	Standard	Smooth	Hopper discharge conveyor	Short		Funnel discharge conveyor	8.1 m	2850235
			ZIP CLIP	Standard	Smooth	Transfer conveyor	Standard		Transfer belt	4.25 m	2850230
			ZIP CLIP	Standard	Smooth	Hopper discharge conveyor	Long		Funnel discharge conveyor	9.7 m	2946345
			ZIP CLIP	Standard	Smooth	Main discharge conveyor	Standard		Main discharge conveyor	14.1 m	2946344
			ZIP CLIP	Standard	Cleated belt	Side discharge conveyor	Standard	Left	Side discharge conveyor	21.2 m	2946347
			Open	Standard	Cleated belt	Over-size grain conveyor	Standard		Over-size grain conveyor	19.6 m	2565195
			Open	Standard	Smooth	Hopper discharge conveyor	Long		Funnel discharge conveyor	11.2 m	2572097

# CONVEYOR UNIT

CONVEYOR BELTS												
Series code	Serial code	Series range	Version	Variant	Conveyor belt type	Belt conveyor	Belt conveyor type	Belt conveyor side	Conveyor type	Conveyor length	Part no.	
MSC 703i EVO	K104	1 - 9999	Open	Standard	Cleated belt	Side discharge conveyor	Standard	Left	Side discharge conveyor	22.2 m	2608531	
			Open	Standard	Smooth	Hopper discharge conveyor	Short		Funnel discharge conveyor	9.6 m	2428492	
			Open	Standard	Smooth	Transfer conveyor	Standard			Transfer belt	5.25 m	2428782
			Open	Standard	Smooth	Feeding conveyor	Standard			Feeding conveyor	23 m	2448650
			Endless	Standard	Cleated belt	Feeding conveyor	Standard			Feeding conveyor	21.5 m	2409572
			ZIP CLIP	Standard	Cleated belt	Feeding conveyor	Standard			Feeding conveyor	21.5 m	2946346
		10 - 9999	Endless	Standard	Smooth	Hopper discharge conveyor	Short			Funnel discharge conveyor	8.1 m	2365474
			Endless	Standard	Cleated belt	Over-size grain conveyor	Standard			Main discharge conveyor, coarse grain	18.6 m	2355976
			Endless	Standard	Smooth	Transfer conveyor	Standard			Upper deck transfer conveyor	4.25 m	2355971





CONVEYOR BELTS											
Series code	Serial code	Series range	Version	Variant	Conveyor belt type	Belt conveyor	Belt conveyor type	Belt conveyor side	Conveyor type	Conveyor length	Part no.
MSC 703i EVO	K104	10 - 9999	Endless	Standard	Smooth	Hopper discharge conveyor	Long		Funnel discharge conveyor	9.7 m	2354663
			Endless	Standard	Cleated belt	Side discharge conveyor	Standard	Left	Side discharge conveyor, medium grain	21.2 m	2347436
			Endless	Standard	Smooth	Main discharge conveyor	Standard		Main discharge conveyor, fine grain	14.1 m	2365692
			Endless	Standard	Smooth	Feeding conveyor	Standard		Feeding conveyor	21.5 m	2366596
		9999	Endless	Standard	Cleated belt	Side discharge conveyor	Standard	Left	Side discharge conveyor, coarse to medium grain	21.2 m	2364608
MSC 952i EVO	K105	1 - 9999	Open	Standard	Smooth	Hopper discharge conveyor	Long		Funnel discharge conveyor	11.2 m	2572097
			Open	Standard	Cleated belt	Feeding conveyor	Standard		Feeding conveyor	26.4 m	2608692
			ZIP CLIP	Standard	Smooth	Feeding conveyor	Standard		Feeding conveyor	24.9 m	2850262

## CONVEYOR UNIT

CONVEYOR BELTS											
Series code	Serial code	Series range	Version	Variant	Conveyor belt type	Belt conveyor	Belt conveyor type	Belt conveyor side	Conveyor type	Conveyor length	Part no.
MSC 952i EVO	K105	1 - 9999	ZIP CLIP	Standard	Smooth	Hopper discharge conveyor	Short		Funnel discharge conveyor	8.1 m	2850235
			ZIP CLIP	Standard	Cleated belt	Side discharge conveyor	Standard	Left	Side discharge conveyor	21.2 m	2850233
			Endless	Standard	Cleated belt	Feeding conveyor	Standard		Feeding conveyor	24.9 m	2404381
			Open	Standard	Cleated belt	Side discharge conveyor	Standard	Left	Side discharge conveyor	22.2 m	2428490
			Open	Standard	Smooth	Feeding conveyor	Standard		Feeding conveyor	26.4 m	2428491
			Open	Standard	Smooth	Hopper discharge conveyor	Short		Funnel discharge conveyor	9.6 m	2428492
			Open	Standard	Smooth	Main discharge conveyor	Standard		Main discharge conveyor	18.6 m	2428810
			ZIP CLIP	Standard	Cleated belt	Feeding conveyor	Standard		Feeding conveyor	24.9 m	2948757
			ZIP CLIP	Standard	Smooth	Main discharge conveyor	Standard		Main discharge conveyor	23.9 m	2948759



CONVEYOR BELTS											
Series code	Serial code	Series range	Version	Variant	Conveyor belt type	Belt conveyor	Belt conveyor type	Belt conveyor side	Conveyor type	Conveyor length	Part no.
MSC 952i EVO	K105	1 - 9999	ZIP CLIP	Standard	Smooth	Hopper discharge conveyor	Long		Funnel discharge conveyor	9.7 m	2946345
		10 - 9999	Endless	Standard	Cleated belt	Side discharge conveyor	Standard	Left	Side discharge conveyor, coarse to medium grain	21.2 m	2347436
			Endless	Standard	Smooth	Hopper discharge conveyor	Long		Funnel discharge conveyor	9.7 m	2354663
			Endless	Standard	Smooth	Main discharge conveyor	Standard		Main discharge conveyor, fine grain	17.1 m	2351092
			Endless	Standard	Smooth	Feeding conveyor	Standard		Feeding conveyor	24.9 m	2350690
			Endless	Standard	Smooth	Hopper discharge conveyor	Short		Funnel discharge conveyor	8.1 m	2365474
MSC 953i EVO	K106	1 - 9999	Open	Standard	Cleated belt	Over-size grain conveyor	Standard		Over-size grain conveyor	19.6 m	2565195
			ZIP CLIP	Standard	Smooth	Feeding conveyor	Standard		Feeding conveyor	24.9 m	2850262

## CONVEYOR UNIT

CONVEYOR BELTS													
Series code	Serial code	Series range	Version	Variant	Conveyor belt type	Belt conveyor	Belt conveyor type	Belt conveyor side	Conveyor type	Conveyor length	Part no.		
MSC 953i EVO	K106	1 - 9999	Open	Standard	Smooth	Hopper discharge conveyor	Long			Funnel discharge conveyor	11.2 m	2572097	
			Open	Standard	Cleated belt	Side discharge conveyor	Standard	Left		Side discharge conveyor	22.2 m	2428490	
			Open	Standard	Smooth	Feeding conveyor	Standard				Feeding conveyor	26.4 m	2428491
			Open	Standard	Smooth	Hopper discharge conveyor	Short				Funnel discharge conveyor	9.6 m	2428492
			Open	Standard	Smooth	Transfer conveyor	Standard				Transfer belt	5.25 m	2428782
			Open	Standard	Smooth	Main discharge conveyor	Standard				Main discharge conveyor	18.6 m	2428810
			ZIP CLIP	Standard	Cleated belt	Feeding conveyor	Standard				Feeding conveyor	24.9 m	2948757
			ZIP CLIP	Standard	Smooth	Main discharge conveyor	Standard				Main discharge conveyor	23.9 m	2948759
			ZIP CLIP	Standard	Smooth	Hopper discharge conveyor	Long				Funnel discharge conveyor	9.7 m	2946345
			Endless	Standard	Cleated belt	Feeding conveyor	Standard				Feeding conveyor	24.9 m	2404381



CONVEYOR BELTS													
Series code	Serial code	Series range	Version	Variant	Conveyor belt type	Belt conveyor	Belt conveyor type	Belt conveyor side	Conveyor type	Conveyor length	Part no.		
MSC 953i EVO	K106	1 - 9999	ZIP CLIP	Standard	Smooth	Transfer conveyor	Standard		Transfer belt	4.25 m	2850230		
			ZIP CLIP	Standard	Cleated belt	Side discharge conveyor	Standard	Left	Side discharge conveyor	21.2 m	2850233		
			ZIP CLIP	Standard	Smooth	Hopper discharge conveyor	Short		Funnel discharge conveyor	8.1 m	2850235		
			ZIP CLIP	Standard	Cleated belt	Over-size grain conveyor	Standard		Over-size grain conveyor	18.6 m	2850249		
			Open	Standard	Cleated belt	Feeding conveyor	Standard		Feeding conveyor	26.4 m	2608692		
				10 - 9999	Endless	Standard	Smooth	Feeding conveyor	Standard		Feeding conveyor	24.9 m	2350690
					Endless	Standard	Smooth	Main discharge conveyor	Standard		Main discharge conveyor, fine grain	17.1 m	2351092
					Endless	Standard	Smooth	Hopper discharge conveyor	Long		Funnel discharge conveyor	9.7 m	2354663
					Endless	Standard	Smooth	Transfer conveyor	Standard		Upper deck transfer conveyor	4.25 m	2355971

## CONVEYOR UNIT

CONVEYOR BELTS											
Series code	Serial code	Series range	Version	Variant	Conveyor belt type	Belt conveyor	Belt conveyor type	Belt conveyor side	Conveyor type	Conveyor length	Part no.
MSC 953i EVO	K106	10 - 9999	Endless	Standard	Cleated belt	Over-size grain conveyor	Standard		Main discharge conveyor, coarse grain	18.6 m	2355976
			Endless	Standard	Smooth	Hopper discharge conveyor	Short		Funnel discharge conveyor	8.1 m	2365474
			Endless	Standard	Cleated belt	Side discharge conveyor	Standard	Left	Side discharge conveyor, medium grain	21.2 m	2347436
MSC 1202 PRO	K129	1 - 9999	ZIP CLIP	Standard	Smooth	Main discharge conveyor	Standard		Main discharge conveyor	18.77 m	3007956
			Endless	Standard	Smooth	Hopper discharge conveyor	Long		Funnel discharge conveyor	9.898 m	M10020071
			Open	Standard	Smooth	Hopper discharge conveyor	Long		Funnel discharge conveyor	11.2 m	2994914
			Open	Standard	Smooth	Feeding conveyor	Standard		Feeding conveyor	27.9 m	2994924
			Open	Standard	Cleated belt	Feeding conveyor	Standard		Feeding conveyor	27.9 m	2994925



CONVEYOR BELTS											
Series code	Serial code	Series range	Version	Variant	Conveyor belt type	Belt conveyor	Belt conveyor type	Belt conveyor side	Conveyor type	Conveyor length	Part no.
MSC 1202 PRO	K129	1 - 9999	Open	Standard	Cleated belt	Side discharge conveyor	Slewing	Left	Side discharge conveyor	23.9 m	2994931
			Open	Standard	Smooth	Main discharge conveyor	Standard		Main discharge conveyor	20.3 m	2994932
			ZIP CLIP	Standard	Smooth	Feeding conveyor	Standard		Feeding conveyor	26.37 m	3007917
			ZIP CLIP	Standard	Cleated belt	Feeding conveyor	Standard		Feeding conveyor	26.37 m	3007924
			ZIP CLIP	Standard	Cleated belt	Side discharge conveyor	Slewing	Left	Side discharge conveyor	22.93 m	3007927
			Endless	Standard	Smooth	Main discharge conveyor	Standard		Main discharge conveyor	19 m	2848413
			Endless	Standard	Cleated belt	Feeding conveyor	Standard		Feeding conveyor	26.5 m	2854822
			Endless	Standard	Smooth	Feeding conveyor	Standard		Feeding conveyor	26.5 m	2855080
			Endless	Standard	Cleated belt	Side discharge conveyor	Slewing	Left	Side discharge conveyor	22.5 m	2855562
			ZIP CLIP	Standard	Smooth	Hopper discharge conveyor	Long		Funnel discharge conveyor	9.9 m	2983152

## CONVEYOR UNIT

CONVEYOR BELTS													
Series code	Serial code	Series range	Version	Variant	Conveyor belt type	Belt conveyor	Belt conveyor type	Belt conveyor side	Conveyor type	Conveyor length	Part no.		
MSC 1203 PRO	K130	1 - 9999	ZIP CLIP	Standard	Smooth	Main discharge conveyor	Standard			Main discharge conveyor	18.77 m	3007956	
			Endless	Standard	Smooth	Hopper discharge conveyor	Long			Funnel discharge conveyor	9.898 m	M10020071	
			ZIP CLIP	Standard	Cleated belt	Over-size grain conveyor	Standard				Over-size grain conveyor	20.85 m	3007981
			ZIP CLIP	Standard	Smooth	Hopper discharge conveyor	Long				Funnel discharge conveyor	9.9 m	2983152
			Open	Standard	Smooth	Hopper discharge conveyor	Long				Funnel discharge conveyor	11.2 m	2994914
			Open	Standard	Smooth	Feeding conveyor	Standard				Feeding conveyor	27.9 m	2994924
			Open	Standard	Cleated belt	Feeding conveyor	Standard				Feeding conveyor	27.9 m	2994925
			Open	Standard	Cleated belt	Side discharge conveyor	Slewing	Left			Side discharge conveyor	23.9 m	2994931
			Open	Standard	Smooth	Main discharge conveyor	Standard				Main discharge conveyor	20.3 m	2994932





CONVEYOR BELTS											
Series code	Serial code	Series range	Version	Variant	Conveyor belt type	Belt conveyor	Belt conveyor type	Belt conveyor side	Conveyor type	Conveyor length	Part no.
MSC 1203 PRO	K130	1 - 9999	Open	Standard	Smooth	Transfer conveyor	Standard		Transfer belt	6.3 m	2994935
			Open	Standard	Cleated belt	Over-size grain conveyor	Standard		Over-size grain conveyor	22 m	2994937
			ZIP CLIP	Standard	Smooth	Feeding conveyor	Standard		Feeding conveyor	26.37 m	3007917
			ZIP CLIP	Standard	Cleated belt	Feeding conveyor	Standard		Feeding conveyor	26.37 m	3007924
			ZIP CLIP	Standard	Cleated belt	Side discharge conveyor	Slewing	Left	Side discharge conveyor	22.93 m	3007927
			Endless	Standard	Cleated belt	Feeding conveyor	Standard		Feeding conveyor	26.5 m	2854822
			Endless	Standard	Smooth	Feeding conveyor	Standard		Feeding conveyor	26.5 m	2855080
			Endless	Standard	Cleated belt	Side discharge conveyor	Slewing	Left	Side discharge conveyor	22.5 m	2855562
			Endless	Standard	Smooth	Transfer conveyor	Standard		Transfer belt	5.4 m	2859970
			Endless	Standard	Smooth	Main discharge conveyor	Standard		Main discharge conveyor	19 m	2848413

# CONVEYOR UNIT

CONVEYOR BELTS											
Series code	Serial code	Series range	Version	Variant	Conveyor belt type	Belt conveyor	Belt conveyor type	Belt conveyor side	Conveyor type	Conveyor length	Part no.
MSC 1203 PRO	K130	1 - 9999	Endless	Standard	Cleated belt	Over-size grain conveyor	Standard		Over-size grain conveyor	21 m	2860210
			ZIP CLIP	Standard	Smooth	Transfer conveyor	Standard		Transfer belt	5.19 m	3007980
MBT24	K127	1 - 9999	Endless	Standard	Smooth	Main discharge conveyor	Standard		Main discharge conveyor	50.5 m	2838390
			ZIP CLIP	Standard	Smooth	Main discharge conveyor	Standard		Main discharge conveyor	50.5 m	3060506
MBW15	K126	1 - 9999	ZIP CLIP	Standard	Smooth	Main discharge conveyor	Standard		Main discharge conveyor	30.48 m	3057521
			Open	Standard	Smooth	Main discharge conveyor	Standard		Main discharge conveyor	32.08 m	2839448
			Endless	Standard	Smooth	Main discharge conveyor	Standard		Main discharge conveyor	30.478 m	2838391
MBT20	K128	1 - 9999	Open	Standard	Smooth	Main discharge conveyor	Standard		Main discharge conveyor	42.5 m	2839296
			ZIP CLIP	Standard	Smooth	Main discharge conveyor	Standard		Main discharge conveyor	42.5 m	3060507



## GUIDE ROLLERS

Genuine KLEEMANN guide rollers ensure that the belt is optimally centred on the conveyor.



GUIDE ROLLERS							
Series code	Serial code	Series range	Diameter	Pipe length	Conveyor type	Position	Part no.
MC 100 R	K001	35 - 9999	63.5 mm	100 mm	Side discharge conveyor; Crusher discharge conveyor	side	M10000442
MC 110 Z	K004	13 - 9999	63.5 mm	100 mm	Side discharge conveyor; Crusher discharge conveyor; Main discharge conveyor, coarse grain; Fine grain conveyor	side	M10000442
		200 - 9999	63.5 mm	132 mm	Fine grain conveyor	side	M10002237
MC 110 R	K003	200 - 9999	63.5 mm	100 mm	Side discharge conveyor; Crusher discharge conveyor; Main discharge conveyor, coarse grain; Fine grain conveyor	side	M10000442
			63.5 mm	132 mm	Fine grain conveyor	side	M10002237
MC 120 Z	K007	53 - 9999	89 mm	132 mm	Crusher discharge conveyor	side	M10000444
			63.5 mm	132 mm	Crusher discharge conveyor	side	M10002237
		212 - 9999	63.5 mm	100 mm	Side discharge conveyor	side	M10000442
MCO 9 EVO	K072	1 - 1	63.5 mm	100 mm		side	M10000442
		1 - 9999	63.5 mm	132 mm	Crusher discharge conveyor	side	M10002237
MCO 9i EVO	K073	1 - 9999	63.5 mm	132 mm	Crusher discharge conveyor	side	M10002237
			63.5 mm	100 mm		side	M10000442
MCO 9 S EVO	K074	1 - 9999	63.5 mm	132 mm	Crusher discharge conveyor	side	M10002237
MCO 9 Si EVO	K075	1 - 9999	63.5 mm	132 mm	Crusher discharge conveyor	side	M10002237
MCO 90 EVO2	K120	1 - 9999	63.5 mm	100 mm		side	M10000442
MCO 90i EVO2	K121	1 - 9999	63.5 mm	100 mm		side	M10000442



# CONVEYOR UNIT

GUIDE ROLLERS							
Series code	Serial code	Series range	Diameter	Pipe length	Conveyor type	Position	Part no.
MCO 110 PRO	K110	1 - 9999	63.5 mm	100 mm		side	M10000442
MCO 110i PRO	K111	1 - 9999	63.5 mm	100 mm		side	M10000442
MR 100 R	K012	33 - 9999	63.5 mm	132 mm	Crusher discharge conveyor; Fine grain conveyor	side	M10002237
			63.5 mm	100 mm	Side discharge conveyor; Crusher discharge conveyor; Transfer belt; Fine grain conveyor	side	M10000442
MR 100 Z	K013	10 - 9999	63.5 mm	132 mm	Crusher discharge conveyor; Fine grain conveyor	side	M10002237
			63.5 mm	100 mm	Side discharge conveyor; Crusher discharge conveyor; Transfer belt; Fine grain conveyor	side	M10000442
MR 110 R EVO	K016	1 - 9999	63.5 mm	132 mm	Crusher discharge conveyor; Fine grain conveyor	side	M10002237
		2 - 9999	63.5 mm	100 mm	Side discharge conveyor; Transfer belt; Return conveyor	side	M10000442
MR 110 Z EVO	K017	2 - 9999	63.5 mm	100 mm	Side discharge conveyor; Transfer belt; Return conveyor	side	M10000442
		3 - 9999	63.5 mm	132 mm	Crusher discharge conveyor; Fine grain conveyor	side	M10002237
MR 110 EVO2	K018	1 - 9999	63.5 mm	100 mm	Side discharge conveyor	side	M10000442
MR 110 i EVO2	K019	1 - 9999	63.5 mm	100 mm	Side discharge conveyor	side	M10000442
MR 122i PRO	K031	1 - 9999	89 mm	132 mm		side	M10000444
			63.5 mm	100 mm		side	M10000442
			63.5 mm	132 mm		side	M10002237
MR 122 PRO	K062	66 - 9999	63.5 mm	132 mm	Crusher discharge conveyor	side	M10002237
			89 mm	132 mm		side	M10000444
		203 - 9999	63.5 mm	100 mm	Side discharge conveyor	side	M10000442
MR 130 Z EVO	K024	70 - 9999	63.5 mm	132 mm	Crusher discharge conveyor; Fine grain conveyor	side	M10002237
			63.5 mm	100 mm	Side discharge conveyor; Transfer belt; Return conveyor	side	M10000442
MR 130 EVO2	K077	1 - 9999	63.5 mm	100 mm	Side discharge conveyor	side	M10000442



GUIDE ROLLERS							
Series code	Serial code	Series range	Diameter	Pipe length	Conveyor type	Position	Part no.
MR 130i EVO2	K078	1 - 9999	63.5 mm	100 mm	Side discharge conveyor	side	M10000442
MSS 352 EVO	K067	200 - 9999					M10024994
							M10022512
MSS 502 EVO	K066	200 - 9999					M10022512
MS 14 Z	K068	200 - 9999					M10022512
MS 15 Z-AD	K047	200 - 9999					M10022512
MS 16 Z	K048	200 - 9999					M10022512
MS 16 D	K049	200 - 9999					M10022512
MS 19 Z	K054	200 - 9999					M10022512
MS 19 D	K055	200 - 9999					M10022512
MSS 1102 PRO	K076	1 - 9999					M10022512
MSC 702 EVO	K083	10 - 9999	108 mm	100 mm	Funnel discharge conveyor	side	2582680
MSC 703 EVO	K084	10 - 9999	108 mm	100 mm	Funnel discharge conveyor	side	2582680
MSC 952 EVO	K085	10 - 9999	108 mm	100 mm	Funnel discharge conveyor	side	2582680
MSC 953 EVO	K086	10 - 9999	108 mm	100 mm	Funnel discharge conveyor	side	2582680
MSC 702i EVO	K103	10 - 9999	108 mm	100 mm	Funnel discharge conveyor	side	2582680
MSC 703i EVO	K104	10 - 9999	108 mm	100 mm	Funnel discharge conveyor	side	2582680
MSC 952i EVO	K105	10 - 9999	108 mm	100 mm	Funnel discharge conveyor	side	2582680
MSC 953i EVO	K106	10 - 9999	108 mm	100 mm	Funnel discharge conveyor	side	2582680
MSC 1202 PRO	K129	1 - 9999					M10022512
MSC 1203 PRO	K130	1 - 9999					M10022512
MBT20	K128	1 - 9999					M10022512

# Original KLEEMANN CONVEYOR UNIT

## IDLER ROLLERS

Idler rollers from KLEEMANN optimally adapt to the belt shape and increase the filling profile.



IDLER ROLLERS						
Series code	Serial code	Series range	Version	Conveyor type	Position	Part no.
MC 100 EVO	K002	1 - 61	with hook	Main discharge conveyor		2275488
			Buffer ring	Main discharge conveyor	Infeed	2275491
MC 100i EVO	K011	1 - 10	with hook	Main discharge conveyor		2275488
			Buffer ring	Main discharge conveyor	Infeed	2275491
MC 110 R EVO	K005	1 - 9999	with hook	Crusher discharge conveyor		2221013
			Infeed support roller, rubberised	Crusher discharge conveyor		2221046
MC 110 Ri EVO	K014	1 - 9999	Infeed support roller, rubberised			2221046
			with hook			2221013
MC 110 Z EVO	K006	1 - 9999	with hook	Crusher discharge conveyor		2221013
			Infeed support roller, rubberised	Crusher discharge conveyor		2221046
MC 110 Zi EVO	K015	1 - 9999	Infeed support roller, rubberised			2221046
			with hook			2221013
MC 120 PRO	K034	1 - 9999	with hook	Crusher discharge conveyor with chute; Crusher discharge conveyor, without chute		2304937
MC 120 i PRO	K035	1 - 9999	with hook	Crusher discharge conveyor with chute; Crusher discharge conveyor, without chute		2304937
MCO 9 EVO	K072	1 - 9999	Buffer ring	Crusher discharge conveyor		2275491
			with hook	Crusher discharge conveyor		2275488
MCO 9i EVO	K073	1 - 9999	with hook	Crusher discharge conveyor		2275488
			Buffer ring	Crusher discharge conveyor		2275491



IDLER ROLLERS						
Series code	Serial code	Series range	Version	Conveyor type	Position	Part no.
MCO 9 S EVO	K074	1 - 9999	Buffer ring	Crusher discharge conveyor		2275491
			with hook	Crusher discharge conveyor		2275488
			with hook	Fine grain conveyor		2322255
			without hook	Fine grain conveyor		2322839
MCO 9 Si EVO	K075	1 - 9999	without hook	Fine grain conveyor		2322839
			with hook	Fine grain conveyor		2322255
			Buffer ring	Crusher discharge conveyor		2275491
			with hook	Crusher discharge conveyor		2275488
MCO 110 PRO	K110	1 - 9999	with hook	Crusher discharge conveyor		2221013
MCO 110i PRO	K111	1 - 9999	with hook	Crusher discharge conveyor		2221013
MR 110 EVO2	K018	1 - 9999	with hook	Fine grain conveyor		2322255
			without hook	Crusher discharge conveyor		2304990
			without hook	Fine grain conveyor		2322839
			with hook	Crusher discharge conveyor		2304937
MR 110 i EVO2	K019	1 - 9999	without hook	Fine grain conveyor		2322839
			with hook	Fine grain conveyor		2322255
			with hook	Crusher discharge conveyor		2304937
			without hook	Crusher discharge conveyor		2304990
MR 130 EVO2	K077	1 - 9999	without hook	Fine grain conveyor		2304990
			with hook	Fine grain conveyor		2304937
			without hook	Crusher discharge conveyor		2297025
			with hook	Crusher discharge conveyor		2297010
MR 130i EVO2	K078	1 - 9999	without hook	Crusher discharge conveyor		2297025
			with hook	Fine grain conveyor		2304937
			without hook	Fine grain conveyor		2304990
			with hook	Crusher discharge conveyor		2297010

Original KLEEMANN  
**CONVEYOR UNIT**

**TAPPING ROLLERS**

Genuine KLEEMANN tapping rollers are used to clean chevron belts.



TAPPING ROLLERS						
Series code	Serial code	Series range	Pipe length	Diameter	Conveyor type	Part no.
MSS 352 EVO	K067	200 - 9999				2296831
						M10020375
MSS 502 EVO	K066	200 - 9999				M10024109
MS 14 Z	K068	200 - 9999				2296831
						M10020375
MS 15 Z-AD	K047	200 - 9999				M10022519
MS 16 Z	K048	200 - 9999				2955390
						M10020375
MS 16 D	K049	200 - 9999				M10020375
						2222747
						2955390
						2859511
MS 19 Z	K054	200 - 9999				M10020376
						2955390
MS 19 D	K055	200 - 9999				2859511
						2222747
						M10020376
						2955390
MSS 1102 PRO	K076	1 - 9999				2324077
						2324089





TAPPING ROLLERS						
Series code	Serial code	Series range	Pipe length	Diameter	Conveyor type	Part no.
MSS 802 EVO	K082	10 - 9999	1450 mm	89 mm		2651080
			950 mm	89 mm		2650224
MSC 702 EVO	K083	10 - 9999	1300 mm	89 mm	Feeding conveyor	2582504
			750 mm	89 mm	Side discharge conveyor, left/right, coarse/medium grain	2582510
MSC 703 EVO	K084	10 - 9999	750 mm	89 mm	Side discharge conveyor, left/right, medium grain 1/medium grain 2	2582510
			530 mm	89 mm	Side discharge conveyor, coarse grain	2582508
			1300 mm	89 mm	Feeding conveyor	2582504
MSC 952 EVO	K085	10 - 9999	1300 mm	89 mm	Feeding conveyor	2582504
			950 mm	89 mm	Side discharge conveyor, left/right, coarse/medium grain	2582519
MSC 953 EVO	K086	10 - 9999	950 mm	89 mm	Side discharge conveyor, left/right, medium grain 1/medium grain 2	2582519
			530 mm	89 mm	Main discharge conveyor, coarse grain	2582508
			1300 mm	89 mm	Feeding conveyor	2582504
MSS 802i EVO	K102	10 - 9999	950 mm	89 mm		2650224
			1450 mm	89 mm		2651080
MSC 702i EVO	K103	10 - 9999	1300 mm	89 mm	Feeding conveyor	2582504
			750 mm	89 mm	Side discharge conveyor, left/right, coarse/medium grain	2582510
MSC 703i EVO	K104	10 - 9999	1300 mm	89 mm	Feeding conveyor	2582504
			750 mm	89 mm	Side discharge conveyor, left/right, medium grain 1/medium grain 2	2582510
			530 mm	89 mm	Side discharge conveyor, coarse grain	2582508
MSC 952i EVO	K105	10 - 9999	950 mm	89 mm	Side discharge conveyor, left/right, coarse/medium grain	2582519
			1300 mm	89 mm	Feeding conveyor	2582504
MSC 953i EVO	K106	10 - 9999	1300 mm	89 mm	Feeding conveyor	2582504
			530 mm	89 mm	Main discharge conveyor, coarse grain	2582508
			950 mm	89 mm	Side discharge conveyor, left/right, medium grain 1/medium grain 2	2582519
MSC 1202 PRO	K129	1 - 9999				2296831
						M10024111

Original KLEEMANN  
**CONVEYOR UNIT**

TAPPING ROLLERS						
Series code	Serial code	Series range	Pipe length	Diameter	Conveyor type	Part no.
MSC 1203 PRO	K130	1 - 9999				M10024111
						2296831

**RETURN ROLLERS**

Genuine return rollers from KLEEMANN prevent all kinds of caking on the conveyor belt.



RETURN ROLLERS							
Series code	Serial code	Series range	Version	Pipe length	Diameter	Conveyor type	Part no.
MC 100 R	K001	1 - 9999	M.	600 mm	63.5 / 108 mm	Side discharge conveyor	F10062014
		35 - 9999	M.	1150 mm	63.5 / 108 mm	Crusher discharge conveyor	F10062044
MC 100 EVO	K002	1 - 62	M.	950 mm	63.5 / 108 mm	Main discharge conveyor	F10062034
		62 - 9999	M.	1050 mm	63.5 / 108 mm	Main discharge conveyor	2475403
MC 100i EVO	K011	1 - 10	M.	950 mm	63.5 / 108 mm	Main discharge conveyor	F10062034
		11 - 9999	M.	1050 mm	63.5 / 108 mm	Main discharge conveyor	2475403
MC 110 R EVO	K005	1 - 9999	M.	1150 mm	63.5 / 108 mm	Crusher discharge conveyor	F10062044
MC 110 Ri EVO	K014	1 - 9999	M.	1150 mm	63.5 / 108 mm		F10062044
MC 110 Z	K004	1 - 9999	M.	750 mm	63.5 / 108 mm	Side discharge conveyor	F10062024
			M.	1250 mm	63.5 / 108 mm	Crusher discharge conveyor	F10243314
		200 - 9999	M.	1300 mm	89 / 133 mm	Fine grain conveyor	F10332314
MC 110 Z EVO	K006	1 - 9999	M.	1150 mm	63.5 / 108 mm	Crusher discharge conveyor	F10062044
MC 110 R	K003	1 - 9999	M.	1250 mm	63.5 / 108 mm	Crusher discharge conveyor	F10243314
			M.	750 mm	63.5 / 108 mm	Side discharge conveyor	F10062024



RETURN ROLLERS							
Series code	Serial code	Series range	Version	Pipe length	Diameter	Conveyor type	Part no.
MC 110 R	K003	200 - 9999	M.	1300 mm	89 / 133 mm	Fine grain conveyor	F10332314
MC 110 Zi EVO	K015	1 - 9999	M.	1150 mm	63.5 / 108 mm		F10062044
MC 120 Z	K007	53 - 9999	M.	750 mm	63.5 / 108 mm	Side discharge conveyor	F10062024
			M.	1500 mm	89 / 133 mm	Crusher discharge conveyor	F10292374
MC 120 PRO	K034	1 - 9999	M.	1300 mm	89 / 133 mm	Crusher discharge conveyor with chute; Crusher discharge conveyor, without chute	F10332314
		40 - 9999	M.	750 mm	63.5 / 108 mm		F10062024
MC 120 i PRO	K035	1 - 9999	M.	1300 mm	89 / 133 mm	Crusher discharge conveyor with chute; Crusher discharge conveyor, without chute	F10332314
		4 - 9999	M.	750 mm	63.5 / 108 mm		F10062024
MC 110 EVO2	K116	1 - 9999	M.	1150 mm	63.5 / 108 mm		F10062044
MC110i EVO2	K117	1 - 9999	M.	1150 mm	63.5 / 108 mm		F10062044
MCO 9 EVO	K072	1 - 9999	M.	950 mm	63.5 / 108 mm	Crusher discharge conveyor	F10062034
			M.	750 mm	63.5 / 108 mm		F10062024
			M.	1150 mm	63.5 / 108 mm	Feeding conveyor; Fine grain conveyor	F10062044
MCO 9i EVO	K073	1 - 9999	M.	950 mm	63.5 / 108 mm	Crusher discharge conveyor	F10062034
			M.	750 mm	63.5 / 108 mm		F10062024
			M.	1150 mm	63.5 / 108 mm	Feeding conveyor; Fine grain conveyor	F10062044
MCO 9 S EVO	K074	1 - 9999	M.	1150 mm	63.5 / 108 mm	Feeding conveyor; Fine grain conveyor	F10062044

# CONVEYOR UNIT

RETURN ROLLERS							
Series code	Serial code	Series range	Version	Pipe length	Diameter	Conveyor type	Part no.
MCO 9 S EVO	K074	1 - 9999	M.	950 mm	63.5 / 108 mm	Crusher discharge conveyor	F10062034
MCO 9 Si EVO	K075	1 - 9999	M.	1150 mm	63.5 / 108 mm	Feeding conveyor; Fine grain conveyor	F10062044
			M.	950 mm	63.5 / 108 mm	Crusher discharge conveyor	F10062034
MCO 90 EVO2	K120	1 - 9999	M.	750 mm	63.5 / 108 mm		F10062024
			M.	950 mm	63.5 / 108 mm		F10062034
			M.	1150 mm	63.5 / 108 mm		F10062044
MCO 90i EVO2	K121	1 - 9999	M.	750 mm	63.5 / 108 mm		F10062024
			M.	1150 mm	63.5 / 108 mm		F10062044
			M.	950 mm	63.5 / 108 mm		F10062034
MCO 110 PRO	K110	1 - 9999	M.	1300 mm	89 / 133 mm	Feeding conveyor	F10332314
			M.	1150 mm	63.5 / 108 mm	Crusher discharge conveyor	F10062044
			M.	750 mm	63.5 / 108 mm		F10062024
MCO 110i PRO	K111	1 - 9999	M.	1300 mm	89 / 133 mm	Feeding conveyor	F10332314
			M.	1150 mm	63.5 / 108 mm	Crusher discharge conveyor	F10062044
			M.	750 mm	63.5 / 108 mm		F10062024
MR 100 R	K012	33 - 9999	M.	600 mm	63.5 / 108 mm		F10062014
			M.	1300 mm	89 / 133 mm	Fine grain conveyor	F10332314
			M.	1150 mm	63.5 / 108 mm	Crusher discharge conveyor	F10062044
MR 100 Z	K013	10 - 9999	M.	750 mm	63.5 / 108 mm	Side discharge conveyor	F10062024
			M.	1300 mm	89 / 133 mm	Fine grain conveyor	F10332314
			M.	1150 mm	63.5 / 108 mm	Crusher discharge conveyor	F10062044
MR 110 R EVO	K016	1 - 9999	M.	1300 mm	89 / 133 mm	Crusher discharge conveyor; Fine grain conveyor	F10332314
		2 - 9999	M.	750 mm	63.5 / 108 mm	Side discharge conveyor	F10062024



RETURN ROLLERS							
Series code	Serial code	Series range	Version	Pipe length	Diameter	Conveyor type	Part no.
MR 110 Z EVO	K017	3 - 9999	M.	1300 mm	89 / 133 mm	Crusher discharge conveyor; Fine grain conveyor	F10332314
			M.	750 mm	63.5 / 108 mm	Side discharge conveyor	F10062024
MR 110 EVO2	K018	1 - 9999	M.	1150 mm	63.5 / 108 mm	Fine grain conveyor	F10062044
			M.	750 mm	63.5 / 108 mm		F10062024
			M.	1300 mm	89 / 133 mm	Crusher discharge conveyor	F10332314
MR 110 i EVO2	K019	1 - 9999	M.	1150 mm	63.5 / 108 mm	Fine grain conveyor	F10062044
			M.	750 mm	63.5 / 108 mm		F10062024
			M.	1300 mm	89 / 133 mm	Crusher discharge conveyor	F10332314
MR 122i PRO	K031	1 - 9999	M.	1500 mm	89 / 133 mm		F10292374
			M.	750 mm	63.5 / 108 mm		F10062024
MR 122 PRO	K062	66 - 9999	M.	1500 mm	89 / 133 mm	Crusher discharge conveyor	F10292374
			M.	750 mm	63.5 / 108 mm	Side discharge conveyor	F10062024
MR 130 Z EVO	K024	70 - 299	M.	1400 mm	89 / 133 mm		F10062054
		70 - 9999	M.	750 mm	63.5 / 108 mm	Side discharge conveyor	F10062024
			M.	1500 mm	89 / 133 mm	Crusher discharge conveyor; Fine grain conveyor	F10292374
MR 130 EVO2	K077	1 - 9999	M.	750 mm	63.5 / 108 mm	Side discharge conveyor	F10062024
			M.	1500 mm	89 / 133 mm	Crusher discharge conveyor	F10292374
			M.	1300 mm	89 / 133 mm	Fine grain conveyor	F10332314
MR 130i EVO2	K078	1 - 9999	M.	750 mm	63.5 / 108 mm	Side discharge conveyor	F10062024
			M.	1500 mm	89 / 133 mm	Crusher discharge conveyor	F10292374
			M.	1300 mm	89 / 133 mm	Fine grain conveyor	F10332314
MSS 1102 PRO	K076	1 - 9999	L1690				M10022517
			L1025				M10022514

# CONVEYOR UNIT

RETURN ROLLERS								
Series code	Serial code	Series range	Version	Pipe length	Diameter	Conveyor type	Part no.	
MSS 1102 PRO	K076	1 - 9999	Main discharge conveyor				Funnel discharge conveyor; Feeding conveyor; Main discharge conveyor, fine grain	2324079
			Medium and fines conveyor					2324088
			Under-belt idler					2362684
			L1280					M10020182
			L1169					M10022518
			Collecting conveyor					2324080
			Under-trough idler					Funnel discharge conveyor; Feeding conveyor; Main discharge conveyor, fine grain
MSS 802 EVO	K082	10 - 9999	M.	950 mm	89 / 133 mm		2648550	
			M.	1250 mm	89 / 133 mm		2643396	
			WAF (width across flats)	160 mm	50 mm		2662241	
			M.	1450 mm	89 / 133 mm		2643397	
MSC 702 EVO	K083	10 - 9999	D.	750 mm	63.5 / 108 mm		2582520	
			D.	1300 mm	89 / 133 mm	Funnel discharge conveyor; Feeding conveyor; Main discharge conveyor, fine grain	2582558	
MSC 703 EVO	K084	10 - 9999	D.	750 mm	63.5 / 108 mm		2582520	
			D.	1300 mm	89 / 133 mm	Funnel discharge conveyor; Feeding conveyor; Main discharge conveyor, fine grain	2582558	
MSC 952 EVO	K085	10 - 9999	D.	950 mm	63.5 / 108 mm		2582537	
			D.	1300 mm	89 / 133 mm	Funnel discharge conveyor; Feeding conveyor	2582558	



RETURN ROLLERS							
Series code	Serial code	Series range	Version	Pipe length	Diameter	Conveyor type	Part no.
MSC 953 EVO	K086	10 - 9999	D.	950 mm	63.5 / 108 mm		2582537
			D.	1300 mm	89 / 133 mm	Funnel discharge conveyor; Feeding conveyor; Main discharge conveyor, fine grain	2582558
MSS 802i EVO	K102	10 - 9999	WAF (width across flats)	160 mm	50 mm		2662241
			M.	1250 mm	89 / 133 mm		2643396
			M.	950 mm	89 / 133 mm		2648550
			M.	1450 mm	89 / 133 mm		2643397
MSC 702i EVO	K103	10 - 9999	D.	750 mm	63.5 / 108 mm		2582520
			D.	1300 mm	89 / 133 mm	Funnel discharge conveyor; Feeding conveyor; Main discharge conveyor, fine grain	2582558
MSC 703i EVO	K104	10 - 9999	D.	750 mm	63.5 / 108 mm		2582520
			D.	1300 mm	89 / 133 mm	Funnel discharge conveyor; Feeding conveyor; Main discharge conveyor, fine grain	2582558
MSC 952i EVO	K105	10 - 9999	D.	950 mm	63.5 / 108 mm		2582537
			D.	1300 mm	89 / 133 mm	Funnel discharge conveyor; Feeding conveyor	2582558
MSC 953i EVO	K106	10 - 9999	D.	950 mm	63.5 / 108 mm		2582537
			D.	1300 mm	89 / 133 mm	Funnel discharge conveyor; Feeding conveyor; Main discharge conveyor, fine grain	2582558
MSC 1202 PRO	K129	1 - 9999	L1690				M10022517
			L1169				M10020379
			L1169				M10022518

# CONVEYOR UNIT

RETURN ROLLERS							
Series code	Serial code	Series range	Version	Pipe length	Diameter	Conveyor type	Part no.
MSC 1202 PRO	K129	1 - 9999					2432005
			L1485				M10020087
MSC 1203 PRO	K130	1 - 9999	L1690				M10022517
							2432005
			L1485				M10020087
			L1169				M10022518
MBT24	K127	1 - 9999	Medium and fines conveyor				2324088
			L1280				M10020182
MBW15	K126	1 - 9999	L1169				M10020379
MBT20	K128	1 - 9999	L1280				M10020182
			Medium and fines conveyor				2324088

## SUPPORT ROLLERS

Track rollers from KLEEMANN optimally adapt to the belt shape and increase the trough cross-section.



SUPPORT ROLLERS								
Series code	Serial code	Series range	Version	Pipe length	Diameter	Conveyor type	Position	Part no.
MC 100 R	K001	35 - 9999	Feeding conveyor	200 mm	89 mm	Side discharge conveyor		M10000456
				1150 mm	89 mm	Crusher discharge conveyor		M10000434
				200 mm	89 mm	Side discharge conveyor		M10000451
				465 mm	89 mm	Crusher discharge conveyor		M10001642





SUPPORT ROLLERS								
Series code	Serial code	Series range	Version	Pipe length	Diameter	Conveyor type	Position	Part no.
MC 100 R	K001	35 - 9999	Feeding conveyor	530 mm	133 mm	Crusher discharge conveyor		M10008227
			D.	530 mm	89 mm	Crusher discharge conveyor		M10004175
MC 100 EVO	K002	1 - 61		165 mm	89 mm	Main discharge conveyor		M10008892
				380 mm	89 mm	Main discharge conveyor		M10000080
		1 - 62	D.	900 mm	89 mm	Main discharge conveyor		M10014163
			Negative station	250 mm	89 mm	Main discharge conveyor		M10000452
		1 - 9999	Negative station	250 mm	89 mm	Side discharge conveyor		M10000452
			antimagnetic	165 mm	89 mm			M20001284
		62 - 9999		200 mm	89 mm	Main discharge conveyor		M10000451
			antimagnetic	465 mm	89 mm			M10006389
				165 mm	89 mm	Main discharge conveyor		M10008892
				315 mm	89 mm	Main discharge conveyor		M10000453
				465 mm	89 mm	Main discharge conveyor		M10001642
			Feeding conveyor	315 mm	89 mm	Main discharge conveyor	Infeed	M10000454
		63 - 9999		1050 mm	89 mm	Main discharge conveyor		M10009567
		MC 100i EVO	K011	1 - 10		165 mm	89 mm	Main discharge conveyor
D.	900 mm				89 mm	Main discharge conveyor		M10014163
	380 mm				89 mm	Main discharge conveyor		M10000080
Negative station	250 mm				89 mm	Main discharge conveyor		M10000452
1 - 9999	Negative station			250 mm	89 mm	Side discharge conveyor		M10000452
	antimagnetic			165 mm	89 mm			M20001284
11 - 9999				165 mm	89 mm	Main discharge conveyor		M10008892
				1050 mm	89 mm	Main discharge conveyor		M10009567
	Feeding conveyor			315 mm	89 mm	Main discharge conveyor	Infeed	M10000454
				200 mm	89 mm	Main discharge conveyor		M10000451
				465 mm	89 mm	Main discharge conveyor		M10001642

## CONVEYOR UNIT

SUPPORT ROLLERS								
Series code	Serial code	Series range	Version	Pipe length	Diameter	Conveyor type	Position	Part no.
MC 100i EVO	K011	11 - 9999		315 mm	89 mm	Main discharge conveyor		M10000453
			antimag-netic	465 mm	89 mm			M10006389
MC 110 R EVO	K005	1 - 114		200 mm	89 mm	Crusher discharge conveyor		M10000451
		1 - 9999	Negative station	250 mm	89 mm	Side discharge conveyor; Crusher discharge conveyor		M10000452
				315 mm	89 mm	Crusher discharge conveyor		M10000453
			antimag-netic	465 mm	89 mm			M10006389
				1050 mm	89 mm	Crusher discharge conveyor		M10009567
				465 mm	89 mm	Crusher discharge conveyor		M10001642
		193 - 9999	Negative station	200 mm	63.5 mm			M10000534
MC 110 Ri EVO	K014	1 - 19		200 mm	89 mm			M10000451
		1 - 9999		1050 mm	89 mm			M10009567
				465 mm	89 mm			M10001642
			antimag-netic	465 mm	89 mm			M10006389
				315 mm	89 mm			M10000453
		26 - 9999	Negative station	200 mm	63.5 mm			M10000534
MC 110 Z	K004	1 - 9999		600 mm	89 mm	Crusher discharge conveyor; Fine grain conveyor		M10000432
				750 mm	89 mm	Main discharge conveyor, coarse grain		M10000436
			Feeding conveyor	600 mm	133 mm	Crusher discharge conveyor	Infeed	M10012384
		13 - 9999		200 mm	89 mm	Side discharge conveyor; Main discharge conveyor, coarse grain		M10000451
			Negative station	250 mm	89 mm	Side discharge conveyor; Main discharge conveyor, coarse grain		M10000452
		200 - 9999	D.	530 mm	89 mm	Crusher discharge conveyor		M10004175



SUPPORT ROLLERS								
Series code	Serial code	Series range	Version	Pipe length	Diameter	Conveyor type	Position	Part no.
MC 110 Z	K004	200 - 9999		1250 mm	89 mm	Crusher discharge conveyor		M10009566
MC 110 Z EVO	K006	1 - 213		200 mm	89 mm	Crusher discharge conveyor		M10000451
		1 - 9999	Negative station	250 mm	89 mm	Side discharge conveyor; Crusher discharge conveyor		M10000452
			antimagnetic	465 mm	89 mm			M10006389
				1050 mm	89 mm	Crusher discharge conveyor		M10009567
				315 mm	89 mm	Crusher discharge conveyor		M10000453
				465 mm	89 mm	Crusher discharge conveyor		M10001642
		411 - 9999	Negative station	200 mm	63.5 mm			M10000534
MC 110 R	K003	1 - 9999		600 mm	89 mm	Crusher discharge conveyor; Fine grain conveyor		M10000432
				750 mm	89 mm	Main discharge conveyor, coarse grain		M10000436
			Feeding conveyor	600 mm	133 mm	Crusher discharge conveyor	Infeed	M10012384
		200 - 9999	Negative station	250 mm	89 mm	Side discharge conveyor; Main discharge conveyor, coarse grain		M10000452
				200 mm	89 mm	Side discharge conveyor; Main discharge conveyor, coarse grain		M10000451
				1250 mm	89 mm	Crusher discharge conveyor		M10009566
			D.	530 mm	89 mm	Crusher discharge conveyor		M10004175
MC 110 Zi EVO	K015	1 - 34		200 mm	89 mm			M10000451
		1 - 9999		1050 mm	89 mm			M10009567
			antimagnetic	465 mm	89 mm			M10006389
				315 mm	89 mm			M10000453
				465 mm	89 mm			M10001642
		74 - 9999	Negative station	200 mm	63.5 mm			M10000534

## CONVEYOR UNIT

SUPPORT ROLLERS								
Series code	Serial code	Series range	Version	Pipe length	Diameter	Conveyor type	Position	Part no.
MC 120 Z	K007	53 - 211	antimag- netic	465 mm	89 mm			M10006389
				380 mm	89 mm	Crusher discharge conveyor		M10000080
		53 - 9999	antimag- netic	465 mm	89 mm			M10006389
				200 mm	89 mm	Side discharge conveyor		M10000451
			Feeding conveyor	380 mm	89 mm	Crusher discharge conveyor	Infeed	M10000457
			Feeding conveyor	600 mm	89 mm	Crusher discharge conveyor	Infeed	M10001886
				600 mm	89 mm	Crusher discharge conveyor		M10000432
			Negative station	250 mm	89 mm	Side discharge conveyor		M10000452
MC 120 PRO	K034	1 - 9999	antimag- netic	465 mm	89 mm			M10006389
			Negative station	200 mm	63.5 mm	Side discharge conveyor		M10000534
				465 mm	89 mm	Crusher discharge conveyor with chute; Crusher dis- charge conveyor, without chute		M10001642
				315 mm	89 mm	Crusher discharge conveyor with chute; Crusher dis- charge conveyor, without chute		M10000453
				750 mm	89 mm			M10000436
				200 mm	89 mm	Side discharge conveyor		M10000451
				380 mm	89 mm	Crusher discharge conveyor with chute; Crusher dis- charge conveyor, without chute		M10000080
			Negative station	700 mm	89 mm	Crusher discharge conveyor with chute; Crusher dis- charge conveyor, without chute		M10011203
			Feeding conveyor	465 mm	108 mm	Crusher discharge conveyor, without chute	Infeed	M10000543



SUPPORT ROLLERS								
Series code	Serial code	Series range	Version	Pipe length	Diameter	Conveyor type	Position	Part no.
MC 120 PRO	K034	1 - 9999	Negative station	250 mm	89 mm	Crusher discharge conveyor with chute; Crusher discharge conveyor, without chute		M10000452
				465 mm	63.5 mm	Crusher discharge conveyor with chute; Crusher discharge conveyor, without chute		M10003724
				250 mm	63.5 mm	Crusher discharge conveyor with chute; Crusher discharge conveyor, without chute		M10000533
			Rubber coated	133 mm	97 mm	Crusher discharge conveyor, without chute		2616915
		40 - 9999	Incl. holder	220 mm	89 mm			2643135
				220 mm	89 mm			2646508
			Incl. holder	220 mm	89 mm			2643136
MC 120 i PRO	K035	1 - 9999		380 mm	89 mm	Crusher discharge conveyor with chute; Crusher discharge conveyor, without chute		M10000080
				465 mm	89 mm	Crusher discharge conveyor with chute; Crusher discharge conveyor, without chute		M10001642
			Negative station	250 mm	89 mm	Crusher discharge conveyor with chute; Crusher discharge conveyor, without chute		M10000452
				250 mm	63.5 mm	Crusher discharge conveyor with chute; Crusher discharge conveyor, without chute		M10000533

## CONVEYOR UNIT

SUPPORT ROLLERS								
Series code	Serial code	Series range	Version	Pipe length	Diameter	Conveyor type	Position	Part no.
MC 120 i PRO	K035	1 - 9999		465 mm	63.5 mm	Crusher discharge conveyor with chute; Crusher discharge conveyor, without chute		M10003724
				200 mm	89 mm	Side discharge conveyor		M10000451
				315 mm	89 mm	Crusher discharge conveyor with chute; Crusher discharge conveyor, without chute		M10000453
			Feeding conveyor	465 mm	108 mm	Crusher discharge conveyor, without chute	Infeed	M10000543
			Negative station	200 mm	63.5 mm	Side discharge conveyor		M10000534
			Negative station	700 mm	89 mm	Crusher discharge conveyor with chute; Crusher discharge conveyor, without chute		M10011203
			Rubber coated	133 mm	97 mm	Crusher discharge conveyor, without chute		2616915
			antimagnetic	465 mm	89 mm			M10006389
			750 mm	89 mm			M10000436	
		4 - 9999		220 mm	89 mm			2646508
			Incl. holder	220 mm	89 mm			2643135
			Incl. holder	220 mm	89 mm			2643136
		MC 110 EVO2	K116	1 - 9999	Incl. holder	220 mm	89 mm	
Incl. holder	220 mm				89 mm			2643135
	600 mm				89 mm			2643144
MC110i EVO2	K117	1 - 9999		600 mm	89 mm			2643144
			Incl. holder	220 mm	89 mm			2643136
			Incl. holder	220 mm	89 mm			2643135



SUPPORT ROLLERS								
Series code	Serial code	Series range	Version	Pipe length	Diameter	Conveyor type	Position	Part no.
MCO 9 EVO	K072	1 - 9999		465 mm	89 mm	Feeding conveyor		M10001642
			Negative station	250 mm	89 mm	Crusher discharge conveyor; Fine grain conveyor		M10000452
			Negative station	200 mm	63.5 mm			M10000534
				750 mm	63.5 mm			M10000529
				315 mm	89 mm	Feeding conveyor		M10000453
				200 mm	89 mm	Feeding conveyor; Transfer belt; Return conveyor		M10000451
				165 mm	89 mm	Crusher discharge conveyor		M10008892
				380 mm	89 mm	Crusher discharge conveyor; Fine grain conveyor		M10000080
			D.	530 mm	89 mm	Return conveyor		M10004175
				250 mm	63.5 mm			M10000533
		2 - 9999	Feeding conveyor	315 mm	89 / 133 mm			M10000541
		98 - 9999		1050 mm	89 mm			M10009567
		MCO 9i EVO	K073	1 - 9999		315 mm	89 mm	Feeding conveyor
	750 mm				63.5 mm			M10000529
	380 mm				89 mm	Crusher discharge conveyor; Fine grain conveyor		M10000080
	250 mm				63.5 mm			M10000533
	165 mm				89 mm	Crusher discharge conveyor		M10008892
D.	530 mm				89 mm	Return conveyor		M10004175
Negative station	250 mm				89 mm	Crusher discharge conveyor; Fine grain conveyor		M10000452
Negative station	200 mm				63.5 mm			M10000534
	465 mm				89 mm	Feeding conveyor		M10001642

## CONVEYOR UNIT

SUPPORT ROLLERS								
Series code	Serial code	Series range	Version	Pipe length	Diameter	Conveyor type	Position	Part no.
MCO 9i EVO	K073	1 - 9999		200 mm	89 mm	Feeding conveyor; Transfer belt; Return conveyor		M10000451
		3 - 9999	Feeding conveyor	315 mm	89 / 133 mm			M10000541
		15 - 9999		1050 mm	89 mm			M10009567
MCO 9 S EVO	K074	1 - 9999	Negative station	250 mm	89 mm	Crusher discharge conveyor; Fine grain conveyor		M10000452
			D.	530 mm	89 mm	Return conveyor		M10004175
			Negative station	200 mm	63.5 mm			M10000534
				315 mm	89 mm	Feeding conveyor		M10000453
				380 mm	89 mm	Crusher discharge conveyor; Fine grain conveyor		M10000080
				250 mm	63.5 mm			M10000533
				465 mm	89 mm	Feeding conveyor		M10001642
				200 mm	89 mm	Feeding conveyor; Transfer belt; Return conveyor		M10000451
				315 mm	63.5 mm			M10000532
				48 - 9999		1050 mm	89 mm	
MCO 9 Si EVO	K075	1 - 9999		200 mm	89 mm	Feeding conveyor; Transfer belt; Return conveyor		M10000451
			D.	530 mm	89 mm	Return conveyor		M10004175
				380 mm	89 mm	Crusher discharge conveyor; Fine grain conveyor		M10000080
				465 mm	89 mm	Feeding conveyor		M10001642
				315 mm	63.5 mm			M10000532
				250 mm	63.5 mm			M10000533
				315 mm	89 mm	Feeding conveyor		M10000453





SUPPORT ROLLERS								
Series code	Serial code	Series range	Version	Pipe length	Diameter	Conveyor type	Position	Part no.
MCO 9 Si EVO	K075	1 - 9999	Negative station	200 mm	63.5 mm			M10000534
			Negative station	250 mm	89 mm	Crusher discharge conveyor; Fine grain conveyor		M10000452
		12 - 9999		1050 mm	89 mm			M10009567
MCO 90 EVO2	K120	1 - 9999		200 mm	89 mm			M10000451
			Feeding conveyor	315 mm	89 / 133 mm			M10000541
			Incl. holder	220 mm	89 mm			2643136
				950 mm	63.5 mm			M10000501
			Incl. holder	220 mm	89 mm			2643135
				600 mm	89 mm			2643144
			Negative station	250 mm	89 mm			M10000452
				1150 mm	63.5 mm			M10000502
MCO 90i EVO2	K121	1 - 9999		950 mm	63.5 mm			M10000501
				750 mm	63.5 mm			M10000529
			Negative station	250 mm	89 mm			M10000452
			Feeding conveyor	315 mm	89 / 133 mm			M10000541
				200 mm	89 mm			M10000451
				600 mm	89 mm			2643144
				1150 mm	63.5 mm			M10000502
			Incl. holder	220 mm	89 mm			2643136
			Incl. holder	220 mm	89 mm			2643135
MCO 110 PRO	K110	1 - 9999		750 mm	63.5 mm			M10000529
				465 mm	89 mm	Crusher discharge conveyor		M10001642
			Negative station	200 mm	63.5 mm			M10000534
			D.	530 mm	89 mm	Feeding conveyor		M10004175

## CONVEYOR UNIT

SUPPORT ROLLERS								
Series code	Serial code	Series range	Version	Pipe length	Diameter	Conveyor type	Position	Part no.
MCO 110 PRO	K110	1 - 9999		1250 mm	89 mm	Feeding conveyor		M10009566
			Feeding conveyor	380 mm	108 mm	Feeding conveyor	Infeed	M10009876
				200 mm	89 mm	Crusher discharge conveyor		M10000451
				750 mm	89 mm	Feeding conveyor		M10000436
			Feeding conveyor	530 mm	108 mm	Feeding conveyor	Infeed	M10009602
			Negative station	250 mm	89 mm	Feeding conveyor; Crusher discharge conveyor		M10000452
			antimag- netic	250 mm	89 mm	Feeding conveyor		M10010106
				315 mm	89 mm	Crusher discharge conveyor		M10000453
			Feeding conveyor	315 mm	89 / 133 mm			M10000541
				380 mm	89 mm	Feeding conveyor		M10000080
				465 mm	63.5 mm			M10003724
			Feeding conveyor	315 mm	89 mm	Crusher discharge conveyor	Infeed	M10000454
				250 mm	108 mm	Feeding conveyor	Infeed	M10000458
MCO 110i PRO	K111	1 - 9999		200 mm	89 mm	Crusher discharge conveyor		M10000451
				1250 mm	89 mm	Feeding conveyor		M10009566
				750 mm	63.5 mm			M10000529
			Feeding conveyor	380 mm	108 mm	Feeding conveyor	Infeed	M10009876
				315 mm	89 mm	Crusher discharge conveyor		M10000453
			Feeding conveyor	315 mm	89 / 133 mm			M10000541
			Negative station	200 mm	63.5 mm			M10000534
			Negative station	250 mm	89 mm	Feeding conveyor; Crusher discharge conveyor		M10000452
				380 mm	89 mm	Feeding conveyor		M10000080
				750 mm	89 mm	Feeding conveyor		M10000436
			D.	530 mm	89 mm	Feeding conveyor		M10004175



SUPPORT ROLLERS								
Series code	Serial code	Series range	Version	Pipe length	Diameter	Conveyor type	Position	Part no.
MCO 110i PRO	K111	1 - 9999	Feeding conveyor	530 mm	108 mm	Feeding conveyor	Infeed	M10009602
			Feeding conveyor	315 mm	89 mm	Crusher discharge conveyor	Infeed	M10000454
			antimagnetic	250 mm	89 mm	Feeding conveyor		M10010106
				250 mm	108 mm	Feeding conveyor	Infeed	M10000458
				465 mm	89 mm	Crusher discharge conveyor		M10001642
				465 mm	63.5 mm			M10003724
MR 100 R	K012	33 - 9999		200 mm	89 mm			M10000451
				380 mm	89 mm	Crusher discharge conveyor		M10000080
			antimagnetic	380 mm	90 mm	Crusher discharge conveyor		M10006388
				500 mm	63.5 mm	Side discharge conveyor; Transfer belt		M10003864
			Feeding conveyor	200 mm	89 mm			M10000456
				600 mm	89 mm	Fine grain conveyor		M10000432
			Feeding conveyor	315 mm	89 mm	Crusher discharge conveyor	Infeed	M10000454
				315 mm	89 mm	Crusher discharge conveyor		M10000453
MR 100 Z	K013	10 - 9999	antimagnetic	380 mm	90 mm	Crusher discharge conveyor		M10006388
			Feeding conveyor	380 mm	89 mm	Crusher discharge conveyor	Infeed	M10000457
			Feeding conveyor	315 mm	89 mm	Crusher discharge conveyor	Infeed	M10000454
				315 mm	89 mm	Crusher discharge conveyor		M10000453
				600 mm	89 mm	Fine grain conveyor		M10000432
				200 mm	89 mm			M10000451
				500 mm	63.5 mm	Side discharge conveyor; Transfer belt		M10003864
				380 mm	89 mm	Crusher discharge conveyor		M10000080

## CONVEYOR UNIT

SUPPORT ROLLERS								
Series code	Serial code	Series range	Version	Pipe length	Diameter	Conveyor type	Position	Part no.
MR 110 R EVO	K016	1 - 9999		750 mm	89 mm	Crusher discharge conveyor; Fine grain conveyor		M10000436
			D.	530 mm	89 mm	Return conveyor		M10004175
			Negative station	250 mm	89 mm	Side discharge conveyor; Crusher discharge conveyor; Fine grain conveyor		M10000452
				200 mm	89 mm	Side discharge conveyor; Transfer belt; Return conveyor		M10000451
			antimagnetic	750 mm	89 mm	Crusher discharge conveyor		M10002179
			antimagnetic	165 mm	89 mm	Crusher discharge conveyor		M20001284
MR 110 Z EVO	K017	2 - 9999		750 mm	89 mm	Crusher discharge conveyor; Fine grain conveyor		M10000436
		3 - 9999	D.	530 mm	89 mm	Return conveyor		M10004175
			Negative station	250 mm	89 mm	Side discharge conveyor; Crusher discharge conveyor; Fine grain conveyor		M10000452
			antimagnetic	165 mm	89 mm	Crusher discharge conveyor		M20001284
			antimagnetic	750 mm	89 mm	Crusher discharge conveyor		M10002179
				200 mm	89 mm	Side discharge conveyor; Transfer belt; Return conveyor		M10000451
MR 110 EVO2	K018	1 - 131		315 mm	63.5 mm			M10000532
		1 - 199	Negative station	200 mm	63.5 mm			M10000534
		1 - 9999		315 mm	63.5 mm			M10000532
			AE1	1300 mm	89 mm			M20000507
			antimagnetic	465 mm	89 mm	Crusher discharge conveyor		M10006389
			D.	530 mm	89 mm	Return conveyor		M10004175



SUPPORT ROLLERS										
Series code	Serial code	Series range	Version	Pipe length	Diameter	Conveyor type	Position	Part no.		
MR 110 EVO2	K018	1 - 9999	antimagnetic	315 mm	89 mm	Crusher discharge conveyor		M10011319		
				315 mm	89 mm	Crusher discharge conveyor		M10000453		
				465 mm	89 mm	Crusher discharge conveyor		M10001642		
				200 mm	89 mm	Side discharge conveyor; Transfer belt; Return conveyor		M10000451		
				465 mm	63.5 mm			M10003724		
			Negative station	250 mm	89 mm	Side discharge conveyor; Fine grain conveyor		M10000452		
				380 mm	89 mm	Fine grain conveyor		M10000080		
				250 mm	63.5 mm			M10000533		
		109 - 9999	Feeding conveyor	380 mm	89 mm			M10000457		
		132 - 9999		250 mm	63.5 mm			M10000533		
		200 - 230	Negative station	200 mm	63.5 mm			M10000534		
		MR 110 i EVO2	K019	1 - 40		315 mm	63.5 mm			M10000532
				1 - 63	Negative station	200 mm	63.5 mm			M10000534
1 - 9999					315 mm	63.5 mm			M10000532	
	Negative station			250 mm	89 mm	Side discharge conveyor; Fine grain conveyor		M10000452		
				465 mm	89 mm	Crusher discharge conveyor		M10001642		
				315 mm	89 mm	Crusher discharge conveyor		M10000453		
				465 mm	63.5 mm			M10003724		
	antimagnetic			315 mm	89 mm	Crusher discharge conveyor		M10011319		
				250 mm	63.5 mm			M10000533		
				380 mm	89 mm	Fine grain conveyor		M10000080		
	D.			530 mm	89 mm	Return conveyor		M10004175		

# CONVEYOR UNIT

SUPPORT ROLLERS								
Series code	Serial code	Series range	Version	Pipe length	Diameter	Conveyor type	Position	Part no.
MR 110 i EVO2	K019	1 - 9999		200 mm	89 mm	Side discharge conveyor; Transfer belt; Return conveyor		M10000451
			AE1	1300 mm	89 mm			M20000507
			antimagnetic	465 mm	89 mm	Crusher discharge conveyor		M10006389
		34 - 9999	Feeding conveyor	380 mm	89 mm			M10000457
		41 - 9999		250 mm	63.5 mm			M10000533
		64 - 72	Negative station	200 mm	63.5 mm			M10000534
MR 122i PRO	K031	1 - 9999	Feeding conveyor	380 mm	89 mm			M10000457
				380 mm	89 mm			M10000080
			Feeding conveyor	600 mm	89 mm			M10001886
				600 mm	89 mm			M10000432
			Negative station	250 mm	89 mm			M10000452
				200 mm	89 mm			M10000451
			antimagnetic	465 mm	89 mm			M10006389
				315 mm	89 mm			M10000453
		5 - 9999		600 mm	63.5 mm			M10000530
				315 mm	63.5 mm			M10000532
MR 122 PRO	K062	66 - 202	Rubber coated	1500 mm	108 mm			M10007131
		66 - 9999	Feeding conveyor	600 mm	89 mm	Crusher discharge conveyor	Infeed	M10001886
			Negative station	250 mm	89 mm	Side discharge conveyor		M10000452
				380 mm	89 mm	Crusher discharge conveyor		M10000080
				200 mm	89 mm	Side discharge conveyor		M10000451
			Feeding conveyor	380 mm	89 mm	Crusher discharge conveyor	Infeed	M10000457
			antimagnetic	465 mm	89 mm			M10006389
				600 mm	89 mm	Crusher discharge conveyor		M10000432
				315 mm	89 mm			M10000453



SUPPORT ROLLERS								
Series code	Serial code	Series range	Version	Pipe length	Diameter	Conveyor type	Position	Part no.
MR 122 PRO	K062	279 - 9999		315 mm	63.5 mm			M10000532
				600 mm	63.5 mm			M10000530
		282 - 9999		600 mm	63.5 mm			M10000530
				315 mm	63.5 mm			M10000532
MR 130 Z	K024	70 - 299		315 mm	63.5 mm			M10000532
				465 mm	89 mm			M10001642
			Negative station	700 mm	89 mm			M10011203
				600 mm	89 mm			M10000432
			VA	465 mm	90 mm			F10521444
			antimagnetic	600 mm	89 mm			M10016766
			D.	650 mm	80 mm			M10011244
				500 mm	63.5 mm			M10003864
MR 130 Z EVO	K024	70 - 9999		200 mm	89 mm	Side discharge conveyor; Transfer belt; Return conveyor		M10000451
		301 - 9999	Negative station	250 mm	89 mm	Side discharge conveyor; Crusher discharge conveyor; Fine grain conveyor		M10000452
			D.	530 mm	89 mm	Return conveyor		M10004175
			antimagnetic	165 mm	89 mm	Crusher discharge conveyor		M20001284
			D.	950 mm	89 mm	Crusher discharge conveyor; Fine grain conveyor		M10000435
			antimagnetic	950 mm	89 mm	Crusher discharge conveyor		M20001275
MR 130 EVO2	K077	1 - 246	Negative station	200 mm	63.5 mm			M10000534
		1 - 9999	antimagnetic	600 mm	89 mm	Crusher discharge conveyor		M10016766
				315 mm	89 mm	Crusher discharge conveyor; Fine grain conveyor		M10000453



## CONVEYOR UNIT

SUPPORT ROLLERS								
Series code	Serial code	Series range	Version	Pipe length	Diameter	Conveyor type	Position	Part no.
MR 130 EVO2	K077	1 - 9999	Negative station	700 mm	89 mm			M10011203
			D.	530 mm	89 mm	Return conveyor		M10004175
				200 mm	89 mm	Side discharge conveyor; Transfer belt; Return conveyor		M10000451
				600 mm	89 mm	Crusher discharge conveyor		M10000432
				465 mm	63.5 mm			M10003724
				600 mm	63.5 mm			M10000530
			Negative station	250 mm	89 mm	Side discharge conveyor		M10000452
				250 mm	63.5 mm			M10000533
				465 mm	89 mm	Crusher discharge conveyor; Fine grain conveyor		M10001642
			antimagnetic	315 mm	89 mm	Crusher discharge conveyor		M10011319
		186 - 9999		250 mm	63.5 mm			M10000533
				600 mm	63.5 mm			M10000530
		247 - 272	Negative station	200 mm	63.5 mm			M10000534
		MR 130i EVO2	K078	1 - 62	Negative station	200 mm	63.5 mm	
1 - 9999	D.			530 mm	89 mm	Return conveyor		M10004175
	antimagnetic			600 mm	89 mm	Crusher discharge conveyor		M10016766
	antimagnetic			315 mm	89 mm	Crusher discharge conveyor		M10011319
	Negative station			700 mm	89 mm			M10011203
				465 mm	89 mm	Crusher discharge conveyor; Fine grain conveyor		M10001642
				465 mm	63.5 mm			M10003724
				200 mm	89 mm	Side discharge conveyor; Transfer belt; Return conveyor		M10000451





SUPPORT ROLLERS								
Series code	Serial code	Series range	Version	Pipe length	Diameter	Conveyor type	Position	Part no.
MR 130i EVO2	K078	1 - 9999		315 mm	89 mm	Crusher discharge conveyor; Fine grain conveyor		M10000453
			Negative station	250 mm	89 mm	Side discharge conveyor		M10000452
				250 mm	63.5 mm			M10000533
				600 mm	63.5 mm			M10000530
			600 mm	89 mm	Crusher discharge conveyor		M10000432	
		34 - 9999		250 mm	63.5 mm			M10000533
				600 mm	63.5 mm			M10000530
63 - 76	Negative station	200 mm	63.5 mm			M10000534		
MSS 502 EVO	K066	200 - 9999	Intermediate idler roller	MCCL	MCCL			M10020192
			Intermediate idler roller	MCCL	MCCL			M10020395
			Intermediate idler roller	MCCL	MCCL			M10020094
MS 14 Z	K068	200 - 9999	Intermediate idler roller	MCCL	MCCL			M10020192
			Intermediate idler roller	MCCL	MCCL			M10022515
			Intermediate idler roller	MCCL	MCCL			M10020394
MS 15 Z-AD	K047	200 - 9999	Intermediate idler roller	MCCL	MCCL			M10020094
			Intermediate idler roller	MCCL	MCCL			M10022515
				MCCL	MCCL			M10022513

**CONVEYOR UNIT**

SUPPORT ROLLERS								
Series code	Serial code	Series range	Version	Pipe length	Diameter	Conveyor type	Position	Part no.
MS 16 Z	K048	200 - 9999	Intermedi- ate idler roller	MCCL	MCCL			M10020192
			Intermedi- ate idler roller	MCCL	MCCL			M10020394
			Intermedi- ate idler roller	MCCL	MCCL			M10020094
MS 16 D	K049	200 - 9999	Intermedi- ate idler roller	MCCL	MCCL			M10020394
			Intermedi- ate idler roller	MCCL	MCCL			M10020192
			Intermedi- ate idler roller	MCCL	MCCL			M10020094
MS 19 Z	K054	200 - 9999	Intermedi- ate idler roller	MCCL	MCCL			M10020192
			Intermedi- ate idler roller	MCCL	MCCL			M10020395
			Intermedi- ate idler roller	MCCL	MCCL			M10020094
MS 19 D	K055	200 - 9999	Intermedi- ate idler roller	MCCL	MCCL			M10020094
			Intermedi- ate idler roller	MCCL	MCCL			M10020192
			Intermedi- ate idler roller	MCCL	MCCL			M10020395
MSS 1102 PRO	K076	1 - 9999	Intermedi- ate idler roller	MCCL	MCCL			M10020192



SUPPORT ROLLERS								
Series code	Serial code	Series range	Version	Pipe length	Diameter	Conveyor type	Position	Part no.
MSS 1102 PRO	K076	1 - 9999	Intermediate idler roller	MCCL	MCCL			M10022515
MSS 802 EVO	K082	10 - 9999	Incl. holder	220 mm	89 mm			2643135
				500 mm	89 mm			2648085
			Incl. holder	220 mm	89 mm			2643136
			Incl. holder	220 mm	89 mm			2643137
			Incl. holder	220 mm	89 mm			2643138
				800 mm	89 mm			2644665
MSC 702 EVO	K083	10 - 24	AE1	1300 mm	89 mm			M20000507
		10 - 9999	one-sided	290 mm	89 mm	Feeding conveyor; Main discharge conveyor, fine grain		2582660
			D.	700 mm	89 mm	Feeding conveyor; Main discharge conveyor, fine grain; Side discharge conveyor, left/right, coarse/medium grain		2582648
			one-sided	240 mm	89 mm	Side discharge conveyor, left/right, coarse/medium grain		2582659
			D.	295 mm	89 mm	Feeding conveyor		2582603
			D.	380 mm	89 mm	Side discharge conveyor, left/right, coarse/medium grain		2582638
			one-sided	160 mm	89 mm	Side discharge conveyor, left/right, coarse/medium grain		2582657
			D.	200 mm	89 mm	Funnel discharge conveyor; Side discharge conveyor, left/right, coarse/medium grain		2582593
			D.	815 mm	89 mm	Funnel discharge conveyor		2582653

## CONVEYOR UNIT

SUPPORT ROLLERS								
Series code	Serial code	Series range	Version	Pipe length	Diameter	Conveyor type	Position	Part no.
MSC 702 EVO	K083	10 - 9999	D.	1300 mm	89 mm	Feeding conveyor		2593834
MSC 703 EVO	K084	10 - 45	AE1	1300 mm	89 mm			M20000507
		10 - 9999	D.	530 mm	89 mm	Side discharge conveyor, coarse grain		2582641
			one-sided	240 mm	89 mm	Side discharge conveyor, left/right, medium grain 1/medium grain 2		2582659
			one-sided	160 mm	89 mm	Side discharge conveyor, left/right, medium grain 1/medium grain 2; Side discharge conveyor, coarse grain		2582657
			D.	815 mm	89 mm	Funnel discharge conveyor		2582653
			one-sided	290 mm	89 mm	Feeding conveyor; Main discharge conveyor, fine grain		2582660
			D.	380 mm	89 mm	Side discharge conveyor, left/right, medium grain 1/medium grain 2		2582638
			D.	1300 mm	89 mm	Feeding conveyor		2593834
			D.	295 mm	89 mm	Feeding conveyor		2582603
			D.	200 mm	89 mm	Funnel discharge conveyor; Side discharge conveyor, left/right, medium grain 1/medium grain 2; Side discharge conveyor, coarse grain		2582593



SUPPORT ROLLERS								
Series code	Serial code	Series range	Version	Pipe length	Diameter	Conveyor type	Position	Part no.
MSC 703 EVO	K084	10 - 9999	D.	700 mm	89 mm	Feeding conveyor; Transfer belt; Main discharge conveyor, fine grain; Side discharge conveyor, left/right, medium grain 1/medium grain 2		2582648
MSC 952 EVO	K085	10 - 13	Negative station	700 mm	89 mm			M10011203
		10 - 16	AE1	1300 mm	89 mm			M20000507
		10 - 45	D.	980 mm	89 mm			2582654
		10 - 9999	one-sided	240 mm	89 mm	Side discharge conveyor, left/right, coarse/medium grain; Main discharge conveyor, fine grain		2582659
			D.	315 mm	89 mm	Side discharge conveyor, left/right, coarse/medium grain		2582637
			D.	600 mm	89 mm	Side discharge conveyor, left/right, coarse/medium grain		2582643
			D.	295 mm	89 mm	Feeding conveyor		2582603
			D.	815 mm	89 mm	Funnel discharge conveyor; Side discharge conveyor, left/right, coarse/medium grain		2582653
			D.	200 mm	89 mm	Funnel discharge conveyor		2582593
			D.	700 mm	89 mm	Feeding conveyor; Main discharge conveyor, fine grain		2582648
			one-sided	160 mm	89 mm	Side discharge conveyor, left/right, coarse/medium grain		2582657
			D.	1300 mm	89 mm	Feeding conveyor		2593834

## CONVEYOR UNIT

SUPPORT ROLLERS								
Series code	Serial code	Series range	Version	Pipe length	Diameter	Conveyor type	Position	Part no.
MSC 952 EVO	K085	10 - 9999	one-sided	290 mm	89 mm	Feeding conveyor; Main discharge conveyor, fine grain		2582660
MSC 953 EVO	K086	10 - 14	Negative station	700 mm	89 mm			M10011203
		10 - 59	AE1	1300 mm	89 mm			M20000507
		10 - 72	AE1	1300 mm	89 mm			M20000507
		10 - 144	D.	980 mm	89 mm			2582654
			D.	315 mm	89 mm	Side discharge conveyor, left/right, medium grain 1/medium grain 2		2582637
			D.	530 mm	89 mm	Main discharge conveyor, coarse grain		2582641
			D.	295 mm	89 mm	Feeding conveyor		2582603
			one-sided	160 mm	89 mm	Side discharge conveyor, left/right, medium grain 1/medium grain 2; Main discharge conveyor, coarse grain		2582657
			one-sided	240 mm	89 mm	Side discharge conveyor, left/right, medium grain 1/medium grain 2; Main discharge conveyor, fine grain		2582659
			D.	700 mm	89 mm	Feeding conveyor; Upper deck transfer conveyor; Main discharge conveyor, fine grain		2582648
			D.	200 mm	89 mm	Funnel discharge conveyor; Main discharge conveyor, coarse grain		2582593
			D.	1300 mm	89 mm	Feeding conveyor		2593834



SUPPORT ROLLERS								
Series code	Serial code	Series range	Version	Pipe length	Diameter	Conveyor type	Position	Part no.
MSC 953 EVO	K086	10 - 9999	D.	600 mm	89 mm	Side discharge conveyor, left/right, medium grain 1/medium grain 2		2582643
			D.	815 mm	89 mm	Funnel discharge conveyor; Side discharge conveyor, left/right, medium grain 1/medium grain 2		2582653
			one-sided	290 mm	89 mm	Feeding conveyor; Main discharge conveyor, fine grain		2582660
MSS 802i EVO	K102	10 - 9999	Incl. holder	220 mm	89 mm			2643138
				500 mm	89 mm			2648085
			Incl. holder	220 mm	89 mm			2643137
			Incl. holder	220 mm	89 mm			2643135
				800 mm	89 mm			2644665
			Incl. holder	220 mm	89 mm			2643136
MSC 702i EVO	K103	10 - 12	AE1	1300 mm	89 mm			M20000507
		10 - 9999	D.	815 mm	89 mm	Funnel discharge conveyor		2582653
			D.	700 mm	89 mm	Feeding conveyor; Main discharge conveyor, fine grain; Side discharge conveyor, left/right, coarse/medium grain		2582648
			D.	380 mm	89 mm	Side discharge conveyor, left/right, coarse/medium grain		2582638
			one-sided	240 mm	89 mm	Side discharge conveyor, left/right, coarse/medium grain		2582659
			one-sided	290 mm	89 mm	Feeding conveyor; Main discharge conveyor, fine grain		2582660

# CONVEYOR UNIT

SUPPORT ROLLERS								
Series code	Serial code	Series range	Version	Pipe length	Diameter	Conveyor type	Position	Part no.
MSC 702i EVO	K103	10 - 9999	one-sided	160 mm	89 mm	Side discharge conveyor, left/right, coarse/medium grain		2582657
			D.	200 mm	89 mm	Funnel discharge conveyor; Side discharge conveyor, left/right, coarse/medium grain		2582593
			D.	1300 mm	89 mm	Feeding conveyor		2593834
			D.	295 mm	89 mm	Feeding conveyor		2582603
MSC 703i EVO	K104	10 - 13	AE1	1300 mm	89 mm			M20000507
		10 - 9999	D.	700 mm	89 mm	Feeding conveyor; Transfer belt; Main discharge conveyor, fine grain; Side discharge conveyor, left/right, medium grain 1/medium grain 2		2582648
			one-sided	240 mm	89 mm	Side discharge conveyor, left/right, medium grain 1/medium grain 2		2582659
			one-sided	160 mm	89 mm	Side discharge conveyor, left/right, medium grain 1/medium grain 2; Side discharge conveyor, coarse grain		2582657
			one-sided	290 mm	89 mm	Feeding conveyor; Main discharge conveyor, fine grain		2582660
			D.	200 mm	89 mm	Funnel discharge conveyor; Side discharge conveyor, left/right, medium grain 1/medium grain 2; Side discharge conveyor, coarse grain		2582593





SUPPORT ROLLERS								
Series code	Serial code	Series range	Version	Pipe length	Diameter	Conveyor type	Position	Part no.
MSC 703i EVO	K104	10 - 9999	D.	815 mm	89 mm	Funnel discharge conveyor		2582653
			D.	1300 mm	89 mm	Feeding conveyor		2593834
			D.	380 mm	89 mm	Side discharge conveyor, left/right, medium grain 1/medium grain 2		2582638
			D.	530 mm	89 mm	Side discharge conveyor, coarse grain		2582641
			D.	295 mm	89 mm	Feeding conveyor		2582603
MSC 952i EVO	K105	10 - 10	Negative station	700 mm	89 mm			M10011203
		10 - 11	D.	980 mm	89 mm			2582654
			AE1	1300 mm	89 mm			M20000507
		10 - 9999	D.	815 mm	89 mm	Funnel discharge conveyor; Side discharge conveyor, left/right, coarse/medium grain		2582653
			one-sided	160 mm	89 mm	Side discharge conveyor, left/right, coarse/medium grain		2582657
			D.	200 mm	89 mm	Funnel discharge conveyor		2582593
			D.	600 mm	89 mm	Side discharge conveyor, left/right, coarse/medium grain		2582643
			D.	1300 mm	89 mm	Feeding conveyor		2593834
			D.	295 mm	89 mm	Feeding conveyor		2582603
			D.	315 mm	89 mm	Side discharge conveyor, left/right, coarse/medium grain		2582637
			one-sided	240 mm	89 mm	Side discharge conveyor, left/right, coarse/medium grain; Main discharge conveyor, fine grain		2582659

## CONVEYOR UNIT

SUPPORT ROLLERS								
Series code	Serial code	Series range	Version	Pipe length	Diameter	Conveyor type	Position	Part no.
MSC 952i EVO	K105	10 - 9999	one-sided	290 mm	89 mm	Feeding conveyor; Main discharge conveyor, fine grain		2582660
			D.	700 mm	89 mm	Feeding conveyor; Main discharge conveyor, fine grain		2582648
MSC 953i EVO	K106	10 - 12	Negative station	700 mm	89 mm			M10011203
		10 - 13	AE1	1300 mm	89 mm			M20000507
			D.	980 mm	89 mm			2582654
		10 - 9999	D.	815 mm	89 mm	Funnel discharge conveyor; Side discharge conveyor, left/right, medium grain 1/medium grain 2		2582653
			D.	315 mm	89 mm	Side discharge conveyor, left/right, medium grain 1/medium grain 2		2582637
			D.	200 mm	89 mm	Funnel discharge conveyor; Main discharge conveyor, coarse grain		2582593
			one-sided	240 mm	89 mm	Side discharge conveyor, left/right, medium grain 1/medium grain 2; Main discharge conveyor, fine grain		2582659
			D.	295 mm	89 mm	Feeding conveyor		2582603
			D.	1300 mm	89 mm	Feeding conveyor		2593834
			D.	700 mm	89 mm	Feeding conveyor; Upper deck transfer conveyor; Main discharge conveyor, fine grain		2582648



SUPPORT ROLLERS								
Series code	Serial code	Series range	Version	Pipe length	Diameter	Conveyor type	Position	Part no.
MSC 953i EVO	K106	10 - 9999	one-sided	160 mm	89 mm	Side discharge conveyor, left/right, medium grain 1/medium grain 2; Main discharge conveyor, coarse grain		2582657
			D.	600 mm	89 mm	Side discharge conveyor, left/right, medium grain 1/medium grain 2		2582643
			one-sided	290 mm	89 mm	Feeding conveyor; Main discharge conveyor, fine grain		2582660
			D.	530 mm	89 mm	Main discharge conveyor, coarse grain		2582641
MSC 1202 PRO	K129	1 - 9999	Intermedi-ate idler roller	MCCL	MCCL			M10020394
			Intermedi-ate idler roller	MCCL	MCCL			M10022515
			Intermedi-ate idler roller	MCCL	MCCL			M10020395
			Intermedi-ate idler roller	MCCL	MCCL			M10020094
MSC 1203 PRO	K130	1 - 9999	Intermedi-ate idler roller	MCCL	MCCL			M10020094
			Intermedi-ate idler roller	MCCL	MCCL			M10020395
			Intermedi-ate idler roller	MCCL	MCCL			M10020394



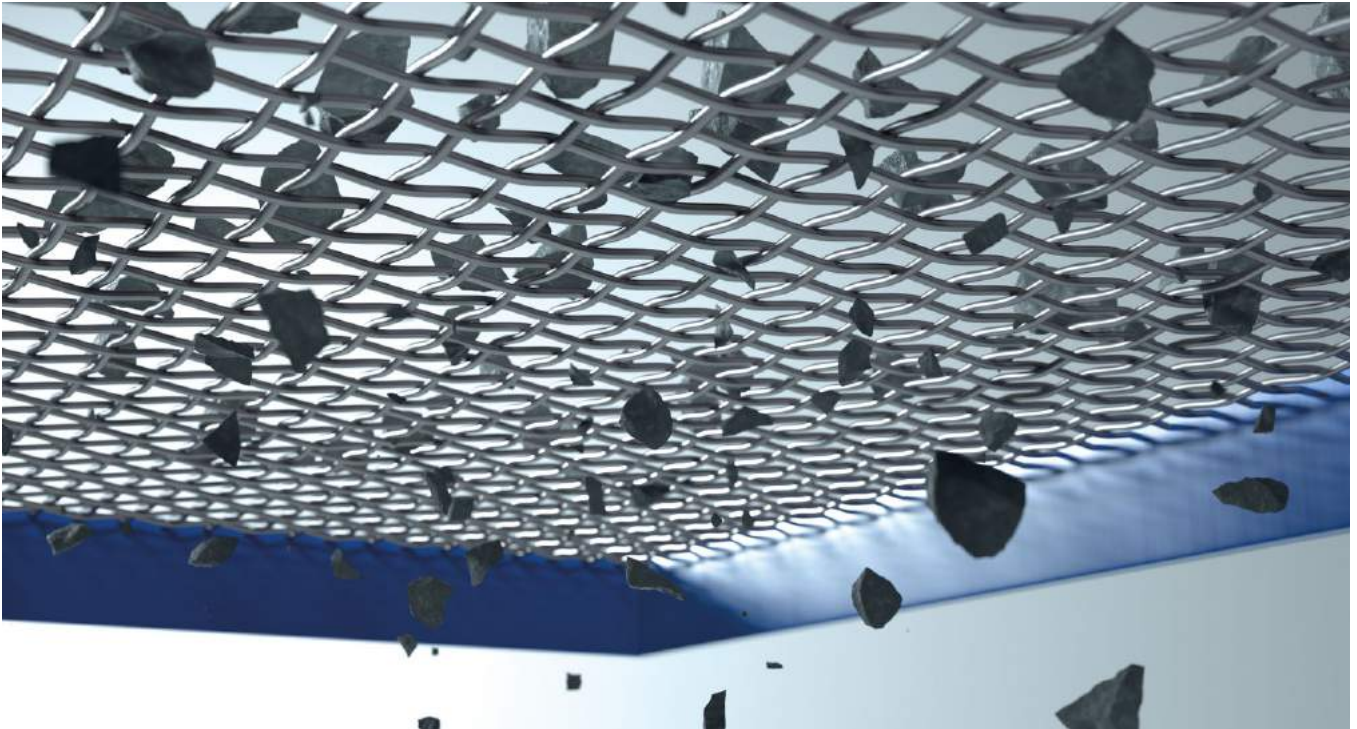
Original KLEEMANN

# CONVEYOR UNIT

SUPPORT ROLLERS								
Series code	Serial code	Series range	Version	Pipe length	Diameter	Conveyor type	Position	Part no.
MSC 1203 PRO	K130	1 - 9999	Intermediate idler roller	MCCL	MCCL			M10022515
MBW15	K126	1 - 9999	Intermediate idler roller	MCCL	MCCL			M10020395



# SCREENING



Genuine screen linings from KLEEMANN precisely screen out both coarse grains and fines to reduce wear within the crusher and ensure that the final product is of significantly higher quality. Prescreens and grate chutes are primarily responsible for removing the fines from the supplied material. With the help of a secondary screening unit, a defined grain size can be

screened out by selecting the required screen configuration. Coarse grains or crushed material that does not correspond to the final grain size is either discharged to the side or reintroduced into the crushing process. Genuine KLEEMANN screen linings stand out due to their perfect fit and can be delivered in all common sizes within a very short time.



> Read more online

# Original KLEEMANN SCREENING

## WIRE MESH

Screen linings are put to a tough test in everyday use. In order to permanently and reliably ensure that material is screened to the desired final grain size, KLEEMANN uses screen linings made of special wear-resistant stainless steel spring wire or round wires.



WIRE MESH										
Series code	Serial code	Series range	Part	Version	Clear mesh size	Deck	Position	Wire diameter	Requirement	Part no.
MC 100 EVO	K002	1 - 9999	Dummy cover	for pre-screening units		Lower deck			1 pc.	2339284
		2 - 9999	QM-GRADE 10 rectangular mesh	for pre-screening units	10 mm	Lower deck		4 mm	1 pc.	2291445
			QM-GRADE 12 rectangular mesh	for pre-screening units	12 mm	Lower deck		4 mm	1 pc.	2339205
			QM-GRADE 15 rectangular mesh	for pre-screening units	15 mm	Lower deck		4 mm	1 pc.	2339206
			QM-GRADE 18 rectangular mesh	for pre-screening units	18 mm	Lower deck		4 mm	1 pc.	2339207
			QM-GRADE 20 rectangular mesh	for pre-screening units	20 mm	Lower deck		5 mm	1 pc.	2339208
			QM-GRADE 25 rectangular mesh	for pre-screening units	25 mm	Lower deck		6 mm	1 pc.	2291447



WIRE MESH										
Series code	Serial code	Series range	Part	Version	Clear mesh size	Deck	Position	Wire diameter	Requirement	Part no.
MC 100 EVO	K002	2 - 9999	QM-GRADE 30 rectangular mesh	for pre-screening units	30 mm	Lower deck		8 mm	1 pc.	2339209
			QM-GRADE 35 rectangular mesh	for pre-screening units	35 mm	Lower deck		8 mm	1 pc.	2291449
			QM-GRADE 40 rectangular mesh	for pre-screening units	40 mm	Lower deck		8 mm	1 pc.	2339210
			QM-GRADE 45 rectangular mesh	for pre-screening units	45 mm	Lower deck		8 mm	1 pc.	2339211
			QM-GRADE 50 rectangular mesh	for pre-screening units	50 mm	Lower deck		10 mm	1 pc.	2339212
			QM-GRADE 55 rectangular mesh	for pre-screening units	55 mm	Lower deck		10 mm	1 pc.	2339213
MC 100i EVO	K011	1 - 9999	Dummy cover	for pre-screening units		Lower deck			1 pc.	2339284
		2 - 9999	QM-GRADE 10 rectangular mesh	for pre-screening units	10 mm	Lower deck		4 mm	1 pc.	2291445
			QM-GRADE 12 rectangular mesh	for pre-screening units	12 mm	Lower deck		4 mm	1 pc.	2339205

Original KLEEMANN  
**SCREENING**

WIRE MESH										
Series code	Serial code	Series range	Part	Version	Clear mesh size	Deck	Position	Wire diameter	Requirement	Part no.
MC 100i EVO	K011	2 - 9999	QM- GRADE 15 rect- angular mesh	for pre- screening units	15 mm	Lower deck		4 mm	1 pc.	2339206
			QM- GRADE 18 rect- angular mesh	for pre- screening units	18 mm	Lower deck		4 mm	1 pc.	2339207
			QM- GRADE 20 rect- angular mesh	for pre- screening units	20 mm	Lower deck		5 mm	1 pc.	2339208
			QM- GRADE 25 rect- angular mesh	for pre- screening units	25 mm	Lower deck		6 mm	1 pc.	2291447
			QM- GRADE 30 rect- angular mesh	for pre- screening units	30 mm	Lower deck		8 mm	1 pc.	2339209
			QM- GRADE 35 rect- angular mesh	for pre- screening units	35 mm	Lower deck		8 mm	1 pc.	2291449
			QM- GRADE 40 rect- angular mesh	for pre- screening units	40 mm	Lower deck		8 mm	1 pc.	2339210
			QM- GRADE 45 rect- angular mesh	for pre- screening units	45 mm	Lower deck		8 mm	1 pc.	2339211





WIRE MESH										
Series code	Serial code	Series range	Part	Version	Clear mesh size	Deck	Position	Wire diameter	Requirement	Part no.
MC 100i EVO	K011	2 - 9999	QM- GRADE 50 rect- angular mesh	for pre- screening units	50 mm	Lower deck		10 mm	1 pc.	2339212
			QM- GRADE 55 rect- angular mesh	for pre- screening units	55 mm	Lower deck		10 mm	1 pc.	2339213
MC 110 R EVO	K005	1 - 9999	Dummy rubber	for pre- screening units		Lower deck			1 pc.	2318316
			QM- GRADE 10 rect- angular mesh	for pre- screening units	10 mm	Lower deck		4 mm	1 pc.	2298547
			QM- GRADE 12 rect- angular mesh	for pre- screening units	12 mm	Lower deck		4 mm	1 pc.	2298549
			QM- GRADE 15 rect- angular mesh	for pre- screening units	15 mm	Lower deck		4 mm	1 pc.	2298550
			QM- GRADE 18 rect- angular mesh	for pre- screening units	18 mm	Lower deck		4 mm	1 pc.	2298551
			QM- GRADE 20 rect- angular mesh	for pre- screening units	20 mm	Lower deck		5 mm	1 pc.	2298552
			QM- GRADE 22 rect- angular mesh	for pre- screening units	22 mm	Lower deck		6 mm	1 pc.	2617143

Original KLEEMANN  
**SCREENING**

WIRE MESH										
Series code	Serial code	Series range	Part	Version	Clear mesh size	Deck	Position	Wire diameter	Requirement	Part no.
MC 110 R EVO	K005	1 - 9999	QM- GRADE 25 rect- angular mesh	for pre- screening units	25 mm	Lower deck		6 mm	1 pc.	2298554
			QM- GRADE 30 rect- angular mesh	for pre- screening units	30 mm	Lower deck		8 mm	1 pc.	2298555
			QM- GRADE 35 rect- angular mesh	for pre- screening units	35 mm	Lower deck		8 mm	1 pc.	2298556
			QM- GRADE 40 rect- angular mesh	for pre- screening units	40 mm	Lower deck		8 mm	1 pc.	2298557
			QM- GRADE 45 rect- angular mesh	for pre- screening units	45 mm	Lower deck		8 mm	1 pc.	2298558
			QM- GRADE 50 rect- angular mesh	for pre- screening units	50 mm	Lower deck		10 mm	1 pc.	2298559
			QM- GRADE 55 rect- angular mesh	for pre- screening units	55 mm	Lower deck		10 mm	1 pc.	2298560
			QM- GRADE 60 rect- angular mesh	for pre- screening units	60 mm	Lower deck		10 mm	1 pc.	2607436
MC 110 Ri EVO	K014	1 - 9999	Dummy rubber	for pre- screening units		Lower deck			1 pc.	2318316



WIRE MESH										
Series code	Serial code	Series range	Part	Version	Clear mesh size	Deck	Position	Wire diameter	Requirement	Part no.
MC 110 Ri EVO	K014	1 - 9999	QM- GRADE 10 rect- angular mesh	for pre- screening units	10 mm	Lower deck		4 mm	1 pc.	2298547
			QM- GRADE 12 rect- angular mesh	for pre- screening units	12 mm	Lower deck		4 mm	1 pc.	2298549
			QM- GRADE 15 rect- angular mesh	for pre- screening units	15 mm	Lower deck		4 mm	1 pc.	2298550
			QM- GRADE 18 rect- angular mesh	for pre- screening units	18 mm	Lower deck		4 mm	1 pc.	2298551
			QM- GRADE 20 rect- angular mesh	for pre- screening units	20 mm	Lower deck		5 mm	1 pc.	2298552
			QM- GRADE 22 rect- angular mesh	for pre- screening units	22 mm	Lower deck		6 mm	1 pc.	2617143
			QM- GRADE 25 rect- angular mesh	for pre- screening units	25 mm	Lower deck		6 mm	1 pc.	2298554
			QM- GRADE 30 rect- angular mesh	for pre- screening units	30 mm	Lower deck		8 mm	1 pc.	2298555

Original KLEEMANN  
**SCREENING**

WIRE MESH										
Series code	Serial code	Series range	Part	Version	Clear mesh size	Deck	Position	Wire diameter	Requirement	Part no.
MC 110 Ri EVO	K014	1 - 9999	QM- GRADE 35 rect- angular mesh	for pre- screening units	35 mm	Lower deck		8 mm	1 pc.	2298556
			QM- GRADE 40 rect- angular mesh	for pre- screening units	40 mm	Lower deck		8 mm	1 pc.	2298557
			QM- GRADE 45 rect- angular mesh	for pre- screening units	45 mm	Lower deck		8 mm	1 pc.	2298558
			QM- GRADE 50 rect- angular mesh	for pre- screening units	50 mm	Lower deck		10 mm	1 pc.	2298559
			QM- GRADE 55 rect- angular mesh	for pre- screening units	55 mm	Lower deck		10 mm	1 pc.	2298560
			QM- GRADE 60 rect- angular mesh	for pre- screening units	60 mm	Lower deck		10 mm	1 pc.	2607436
MC 110 Z	K004	1 - 9999	Dummy rubber	for pre- screening units		Lower deck			1 pc.	F20003969
			CMS 65 rectan- gular mesh	for second- ary screen- ing units	65 mm	Upper deck - NSE	Screen section, large	10 mm	2 pc.	M20000148
			QM- GRADE 10 rect- angular mesh	for pre- screening units	10 mm	Lower deck		4 mm	1 pc.	M20001709



WIRE MESH										
Series code	Serial code	Series range	Part	Version	Clear mesh size	Deck	Position	Wire diameter	Requirement	Part no.
MC 110 Z	K004	1 - 9999	QM- GRADE 15 rect- angular mesh	for pre- screening units	15 mm	Lower deck		4 mm	1 pc.	M20001344
			QM- GRADE 18 rect- angular mesh	for pre- screening units	18 mm	Lower deck		4 mm	1 pc.	M20001398
				for second- ary screen- ing units	18 mm	Upper deck - NSE	Screen section, large	4 mm	2 pc.	2194538
			QM- GRADE 20 rect- angular mesh	for pre- screening units	20 mm	Lower deck		5 mm	1 pc.	M20001376
			QM- GRADE 22 rect- angular mesh	for second- ary screen- ing units	22 mm	Upper deck - NSE	Screen section, large	5 mm	2 pc.	M10017783
				for pre- screening units	22 mm	Lower deck		6 mm	1 pc.	2410151
			QM- GRADE 25 rect- angular mesh	for pre- screening units	25 mm	Lower deck		6 mm	1 pc.	M20000800
				for second- ary screen- ing units	25 mm	Upper deck - NSE	Screen section, large	6 mm	2 pc.	M10021718
			QM- GRADE 28 rect- angular mesh	for pre- screening units	28 mm	Lower deck		6 mm	1 pc.	2217706
				for second- ary screen- ing units	28 mm	Upper deck - NSE	Screen section, large	7 mm	2 pc.	M20001153
			QM- GRADE 30 rect- angular mesh	for second- ary screen- ing units	30 mm	Upper deck - NSE	Screen section, large	8 mm	2 pc.	2234804
				for pre- screening units	30 mm	Lower deck		8 mm	1 pc.	M20001522

Original KLEEMANN  
**SCREENING**

WIRE MESH										
Series code	Serial code	Series range	Part	Version	Clear mesh size	Deck	Position	Wire diameter	Requirement	Part no.
MC 110 Z	K004	1 - 9999	QM-GRADE 32 rectangular mesh	for pre-screening units	32 mm	Lower deck		8 mm	1 pc.	M20000632
			QM-GRADE 35 rectangular mesh	for secondary screening units	35 mm	Upper deck - NSE	Screen section, large	8 mm	2 pc.	M20000147
				for pre-screening units	35 mm	Lower deck		8 mm	1 pc.	M20000315
			QM-GRADE 40 rectangular mesh	for pre-screening units	40 mm	Lower deck		8 mm	1 pc.	M20000373
				for secondary screening units	40 mm	Upper deck - NSE	Screen section, large	8 mm	2 pc.	M20000377
			QM-GRADE 45 rectangular mesh	for pre-screening units	45 mm	Lower deck		8 mm	1 pc.	M20000393
				for secondary screening units	45 mm	Upper deck - NSE	Screen section, large	8 mm	2 pc.	M10017736
			QM-GRADE 50 rectangular mesh	for secondary screening units	50 mm	Upper deck - NSE	Screen section, large	10 mm	2 pc.	M20000799
				for pre-screening units	50 mm	Lower deck		10 mm	1 pc.	2234812
			QM-GRADE 55 rectangular mesh	for secondary screening units	55 mm	Upper deck - NSE	Screen section, large	10 mm	2 pc.	M20000666
			QM-GRADE 60 rectangular mesh	for secondary screening units	60 mm	Upper deck - NSE	Screen section, large	10 mm	2 pc.	M20000273



WIRE MESH										
Series code	Serial code	Series range	Part	Version	Clear mesh size	Deck	Position	Wire diameter	Requirement	Part no.
MC 110 Z	K004	1 - 9999	QM- GRADE 70 rect- angular mesh	for second- ary screen- ing units	70 mm	Upper deck - NSE	Screen section, large	10 mm	2 pc.	2607304
			QM- GRADE 80 rect- angular mesh	for second- ary screen- ing units	80 mm	Upper deck - NSE	Screen section, large	10 mm	2 pc.	M20000898
			QM- GRADE 90 rect- angular mesh	for second- ary screen- ing units	90 mm	Upper deck - NSE	Screen section, large	10 mm	2 pc.	2432813
MC 110 Z EVO	K006	1 - 9999	Dummy rubber	for pre- screening units		Lower deck			1 pc.	2318316
			QM- GRADE 10 rect- angular mesh	for pre- screening units	10 mm	Lower deck		4 mm	1 pc.	2298547
			QM- GRADE 12 rect- angular mesh	for pre- screening units	12 mm	Lower deck		4 mm	1 pc.	2298549
			QM- GRADE 15 rect- angular mesh	for pre- screening units	15 mm	Lower deck		4 mm	1 pc.	2298550
			QM- GRADE 18 rect- angular mesh	for pre- screening units	18 mm	Lower deck		4 mm	1 pc.	2298551
			QM- GRADE 20 rect- angular mesh	for pre- screening units	20 mm	Lower deck		5 mm	1 pc.	2298552

Original KLEEMANN  
**SCREENING**

WIRE MESH										
Series code	Serial code	Series range	Part	Version	Clear mesh size	Deck	Position	Wire diameter	Requirement	Part no.
MC 110 Z EVO	K006	1 - 9999	QM- GRADE 22 rect- angular mesh	for pre- screening units	22 mm	Lower deck		6 mm	1 pc.	2617143
			QM- GRADE 25 rect- angular mesh	for pre- screening units	25 mm	Lower deck		6 mm	1 pc.	2298554
			QM- GRADE 30 rect- angular mesh	for pre- screening units	30 mm	Lower deck		8 mm	1 pc.	2298555
			QM- GRADE 35 rect- angular mesh	for pre- screening units	35 mm	Lower deck		8 mm	1 pc.	2298556
			QM- GRADE 40 rect- angular mesh	for pre- screening units	40 mm	Lower deck		8 mm	1 pc.	2298557
			QM- GRADE 45 rect- angular mesh	for pre- screening units	45 mm	Lower deck		8 mm	1 pc.	2298558
			QM- GRADE 50 rect- angular mesh	for pre- screening units	50 mm	Lower deck		10 mm	1 pc.	2298559
			QM- GRADE 55 rect- angular mesh	for pre- screening units	55 mm	Lower deck		10 mm	1 pc.	2298560





WIRE MESH										
Series code	Serial code	Series range	Part	Version	Clear mesh size	Deck	Position	Wire diameter	Requirement	Part no.
MC 110 Z EVO	K006	1 - 9999	QM- GRADE 60 rect- angular mesh	for pre- screening units	60 mm	Lower deck		10 mm	1 pc.	2607436
MC 110 R	K003	1 - 9999	Dummy rubber	for pre- screening units		Lower deck			1 pc.	F20006960
			QM- GRADE 15 rect- angular mesh	for pre- screening units	15 mm	Lower deck		4 mm	1 pc.	2232158
			QM- GRADE 18 rect- angular mesh	for pre- screening units	18 mm	Lower deck		4 mm	1 pc.	2232159
			QM- GRADE 20 rect- angular mesh	for pre- screening units	20 mm	Lower deck		6 mm	1 pc.	2220614
			QM- GRADE 25 rect- angular mesh	for pre- screening units	25 mm	Lower deck		6 mm	1 pc.	M20000541
			QM- GRADE 30 rect- angular mesh	for pre- screening units	30 mm	Lower deck		6 mm	1 pc.	2224928
			QM- GRADE 35 rect- angular mesh	for pre- screening units	35 mm	Lower deck		8 mm	1 pc.	M20000543
			QM- GRADE 40 rect- angular mesh	for pre- screening units	40 mm	Lower deck		8 mm	1 pc.	2232160

Original KLEEMANN  
**SCREENING**

WIRE MESH										
Series code	Serial code	Series range	Part	Version	Clear mesh size	Deck	Position	Wire diameter	Requirement	Part no.
MC 110 R	K003	1 - 9999	QM- GRADE 45 rect- angular mesh	for pre- screening units	45 mm	Lower deck		8 mm	1 pc.	2329434
			QM- GRADE 50 rect- angular mesh	for pre- screening units	50 mm	Lower deck		10 mm	1 pc.	2329435
		200 - 9999	CMS 65 rectan- gular mesh	for second- ary screen- ing units	65 mm	Upper deck - NSE	Screen section, large	10 mm	2 pc.	M20000148
			QM- GRADE 13 rect- angular mesh	for pre- screening units	13 mm	Upper deck - NSE	Screen section, large	4 mm	2 pc.	M20001152
			QM- GRADE 18 rect- angular mesh	for second- ary screen- ing units	18 mm	Upper deck - NSE	Screen section, large	4 mm	2 pc.	2194538
			QM- GRADE 20 rect- angular mesh	for pre- screening units	20 mm	Upper deck - NSE	Screen section, large	5 mm	2 pc.	M20000146
			QM- GRADE 22 rect- angular mesh	for second- ary screen- ing units	22 mm	Upper deck - NSE	Screen section, large	5 mm	2 pc.	M10017783
			QM- GRADE 25 rect- angular mesh	for second- ary screen- ing units	25 mm	Upper deck - NSE	Screen section, large	6 mm	2 pc.	M10021718
			QM- GRADE 28 rect- angular mesh	for second- ary screen- ing units	28 mm	Upper deck - NSE	Screen section, large	7 mm	2 pc.	M20001153



WIRE MESH										
Series code	Serial code	Series range	Part	Version	Clear mesh size	Deck	Position	Wire diameter	Requirement	Part no.
MC 110 R	K003	200 - 9999	QM- GRADE 30 rect- angular mesh	for second- ary screen- ing units	30 mm	Upper deck - NSE	Screen section, large	8 mm	2 pc.	2234804
			QM- GRADE 35 rect- angular mesh	for second- ary screen- ing units	35 mm	Upper deck - NSE	Screen section, large	8 mm	2 pc.	M20000147
			QM- GRADE 40 rect- angular mesh	for second- ary screen- ing units	40 mm	Upper deck - NSE	Screen section, large	8 mm	2 pc.	M20000377
			QM- GRADE 45 rect- angular mesh	for second- ary screen- ing units	45 mm	Upper deck - NSE	Screen section, large	8 mm	2 pc.	M10017736
			QM- GRADE 50 rect- angular mesh	for second- ary screen- ing units	50 mm	Upper deck - NSE	Screen section, large	10 mm	2 pc.	M20000799
			QM- GRADE 55 rect- angular mesh	for second- ary screen- ing units	55 mm	Upper deck - NSE	Screen section, large	10 mm	2 pc.	M20000666
			QM- GRADE 60 rect- angular mesh	for second- ary screen- ing units	60 mm	Upper deck - NSE	Screen section, large	10 mm	2 pc.	M20000273
			QM- GRADE 70 rect- angular mesh	for second- ary screen- ing units	70 mm	Upper deck - NSE	Screen section, large	10 mm	2 pc.	2607304

Original KLEEMANN  
**SCREENING**

WIRE MESH										
Series code	Serial code	Series range	Part	Version	Clear mesh size	Deck	Position	Wire diameter	Requirement	Part no.
MC 110 R	K003	200 - 9999	QM- GRADE 80 rect- angular mesh	for second- ary screen- ing units	80 mm	Upper deck - NSE	Screen section, large	10 mm	2 pc.	M20000898
			QM- GRADE 90 rect- angular mesh	for second- ary screen- ing units	90 mm	Upper deck - NSE	Screen section, large	10 mm	2 pc.	2432813
MC 110 Zi EVO	K015	1 - 9999	Dummy rubber	for pre- screening units		Lower deck			1 pc.	2318316
			QM- GRADE 10 rect- angular mesh	for pre- screening units	10 mm	Lower deck		4 mm	1 pc.	2298547
			QM- GRADE 12 rect- angular mesh	for pre- screening units	12 mm	Lower deck		4 mm	1 pc.	2298549
			QM- GRADE 15 rect- angular mesh	for pre- screening units	15 mm	Lower deck		4 mm	1 pc.	2298550
			QM- GRADE 18 rect- angular mesh	for pre- screening units	18 mm	Lower deck		4 mm	1 pc.	2298551
			QM- GRADE 20 rect- angular mesh	for pre- screening units	20 mm	Lower deck		5 mm	1 pc.	2298552
			QM- GRADE 22 rect- angular mesh	for pre- screening units	22 mm	Lower deck		6 mm	1 pc.	2617143



WIRE MESH										
Series code	Serial code	Series range	Part	Version	Clear mesh size	Deck	Position	Wire diameter	Requirement	Part no.
MC 110 Zi EVO	K015	1 - 9999	QM- GRADE 25 rect- angular mesh	for pre- screening units	25 mm	Lower deck		6 mm	1 pc.	2298554
			QM- GRADE 30 rect- angular mesh	for pre- screening units	30 mm	Lower deck		8 mm	1 pc.	2298555
			QM- GRADE 35 rect- angular mesh	for pre- screening units	35 mm	Lower deck		8 mm	1 pc.	2298556
			QM- GRADE 40 rect- angular mesh	for pre- screening units	40 mm	Lower deck		8 mm	1 pc.	2298557
			QM- GRADE 45 rect- angular mesh	for pre- screening units	45 mm	Lower deck		8 mm	1 pc.	2298558
			QM- GRADE 50 rect- angular mesh	for pre- screening units	50 mm	Lower deck		10 mm	1 pc.	2298559
			QM- GRADE 55 rect- angular mesh	for pre- screening units	55 mm	Lower deck		10 mm	1 pc.	2298560
			QM- GRADE 60 rect- angular mesh	for pre- screening units	60 mm	Lower deck		10 mm	1 pc.	2607436
MC 120 Z	K007	1 - 9999	Dummy rubber	for pre- screening units		Lower deck			1 pc.	F10285544

Original KLEEMANN  
**SCREENING**

WIRE MESH										
Series code	Serial code	Series range	Part	Version	Clear mesh size	Deck	Position	Wire diameter	Requirement	Part no.
MC 120 Z	K007	1 - 9999	QM- GRADE 10 rect- angular mesh	for pre- screening units	10 mm	Lower deck		4 mm	1 pc.	M10010237
			QM- GRADE 12 rect- angular mesh	for pre- screening units	12 mm	Lower deck		4 mm	1 pc.	2234790
			QM- GRADE 15 rect- angular mesh	for pre- screening units	15 mm	Lower deck		4 mm	1 pc.	M10013885
			QM- GRADE 16 rect- angular mesh	for pre- screening units	16 mm	Lower deck		4 mm	1 pc.	M10007592
			QM- GRADE 18 rect- angular mesh	for pre- screening units	18 mm	Lower deck		4 mm	1 pc.	M10007005
			QM- GRADE 20 rect- angular mesh	for pre- screening units	20 mm	Lower deck		5 mm	1 pc.	M10007905
			QM- GRADE 22 rect- angular mesh	for pre- screening units	22 mm	Lower deck		6 mm	1 pc.	M10005821
			QM- GRADE 25 rect- angular mesh	for pre- screening units	25 mm	Lower deck		6 mm	1 pc.	M10010004



WIRE MESH										
Series code	Serial code	Series range	Part	Version	Clear mesh size	Deck	Position	Wire diameter	Requirement	Part no.
MC 120 Z	K007	1 - 9999	QM- GRADE 28 rect- angular mesh	for pre- screening units	28 mm	Lower deck		6.3 mm	1 pc.	M10009743
			QM- GRADE 30 rect- angular mesh	for pre- screening units	30 mm	Lower deck		8 mm	1 pc.	M20000033
			QM- GRADE 32 rect- angular mesh	for pre- screening units	32 mm	Lower deck		8 mm	1 pc.	M10008122
			QM- GRADE 35 rect- angular mesh	for pre- screening units	35 mm	Lower deck		8 mm	1 pc.	M10004739
			QM- GRADE 40 rect- angular mesh	for pre- screening units	40 mm	Lower deck		8 mm	1 pc.	M10004738
			QM- GRADE 45 rect- angular mesh	for pre- screening units	45 mm	Lower deck		8 mm	1 pc.	M10006092
			QM- GRADE 50 rect- angular mesh	for pre- screening units	50 mm	Lower deck		10 mm	1 pc.	M10012445
			QM- GRADE 55 rect- angular mesh	for pre- screening units	55 mm	Lower deck		10 mm	1 pc.	M10016328

Original KLEEMANN  
**SCREENING**

WIRE MESH										
Series code	Serial code	Series range	Part	Version	Clear mesh size	Deck	Position	Wire diameter	Requirement	Part no.
MC 120 Z	K007	1 - 9999	QM- GRADE 60 rect- angular mesh	for pre- screening units	60 mm	Lower deck		10 mm	1 pc.	M20000339
			QM- GRADE 65 rect- angular mesh	for pre- screening units	65 mm	Lower deck		10 mm	1 pc.	M20000040
			QM- GRADE 8 rect- angular mesh	for pre- screening units	8 mm	Lower deck		4 mm	1 pc.	M20000952
MC 120 PRO	K034	1 - 6	Dummy rubber	for pre- screening units		Lower deck			2 pc.	2600174
			QM- GRADE 20 rect- angular mesh	for pre- screening units	20 mm	Lower deck		8 mm	2 pc.	2581129
			QM- GRADE 25 rect- angular mesh	for pre- screening units	25 mm	Lower deck		8 mm	2 pc.	2581128
			QM- GRADE 30 rect- angular mesh	for pre- screening units	30 mm	Lower deck		10 mm	2 pc.	2581127
			QM- GRADE 35 rect- angular mesh	for pre- screening units	35 mm	Lower deck		10 mm	2 pc.	2581126
			QM- GRADE 40 rect- angular mesh	for pre- screening units	40 mm	Lower deck		12.5 mm	2 pc.	2581125





WIRE MESH											
Series code	Serial code	Series range	Part	Version	Clear mesh size	Deck	Position	Wire diameter	Requirement	Part no.	
MC 120 PRO	K034	1 - 6	QM- GRADE 45 rect- angular mesh	for pre- screening units	45 mm	Lower deck		12.5 mm	2 pc.	2581124	
			QM- GRADE 50 rect- angular mesh	for pre- screening units	50 mm	Lower deck		12.2 mm	2 pc.	2581122	
		7 - 9999	Dummy rubber	for pre- screening units		Lower deck				2 pc.	2633441
			QM- GRADE 20 rect- angular mesh	for pre- screening units	20 mm	Lower deck		8 mm	2 pc.	2601987	
			QM- GRADE 25 rect- angular mesh	for pre- screening units	25 mm	Lower deck		8 mm	2 pc.	2601985	
			QM- GRADE 30 rect- angular mesh	for pre- screening units	30 mm	Lower deck		10 mm	2 pc.	2601983	
			QM- GRADE 35 rect- angular mesh	for pre- screening units	35 mm	Lower deck		10 mm	2 pc.	2601982	
			QM- GRADE 40 rect- angular mesh	for pre- screening units	40 mm	Lower deck		12.5 mm	2 pc.	2601976	
			QM- GRADE 45 rect- angular mesh	for pre- screening units	45 mm	Lower deck		12.5 mm	2 pc.	2601959	

Original KLEEMANN  
**SCREENING**

WIRE MESH										
Series code	Serial code	Series range	Part	Version	Clear mesh size	Deck	Position	Wire diameter	Requirement	Part no.
MC 120 PRO	K034	7 - 9999	QM- GRADE 50 rect- angular mesh	for pre- screening units	50 mm	Lower deck		12.2 mm	2 pc.	2601957
MC 120 i PRO	K035	1 - 1	Dummy rubber	for pre- screening units		Lower deck			2 pc.	2600174
			QM- GRADE 20 rect- angular mesh	for pre- screening units	20 mm	Lower deck		8 mm	2 pc.	2581129
			QM- GRADE 25 rect- angular mesh	for pre- screening units	25 mm	Lower deck		8 mm	2 pc.	2581128
			QM- GRADE 30 rect- angular mesh	for pre- screening units	30 mm	Lower deck		10 mm	2 pc.	2581127
			QM- GRADE 35 rect- angular mesh	for pre- screening units	35 mm	Lower deck		10 mm	2 pc.	2581126
			QM- GRADE 40 rect- angular mesh	for pre- screening units	40 mm	Lower deck		12.5 mm	2 pc.	2581125
			QM- GRADE 45 rect- angular mesh	for pre- screening units	45 mm	Lower deck		12.5 mm	2 pc.	2581124
			QM- GRADE 50 rect- angular mesh	for pre- screening units	50 mm	Lower deck		12.2 mm	2 pc.	2581122



WIRE MESH										
Series code	Serial code	Series range	Part	Version	Clear mesh size	Deck	Position	Wire diameter	Requirement	Part no.
MC 120 i PRO	K035	2 - 9999	Dummy rubber	for pre-screening units		Lower deck			2 pc.	2633441
			QM-GRADE 20 rectangular mesh	for pre-screening units	20 mm	Lower deck		8 mm	2 pc.	2601987
			QM-GRADE 25 rectangular mesh	for pre-screening units	25 mm	Lower deck		8 mm	2 pc.	2601985
			QM-GRADE 30 rectangular mesh	for pre-screening units	30 mm	Lower deck		10 mm	2 pc.	2601983
			QM-GRADE 35 rectangular mesh	for pre-screening units	35 mm	Lower deck		10 mm	2 pc.	2601982
			QM-GRADE 40 rectangular mesh	for pre-screening units	40 mm	Lower deck		12.5 mm	2 pc.	2601976
			QM-GRADE 45 rectangular mesh	for pre-screening units	45 mm	Lower deck		12.5 mm	2 pc.	2601959
			QM-GRADE 50 rectangular mesh	for pre-screening units	50 mm	Lower deck		12.2 mm	2 pc.	2601957
MC 110 EVO2	K116	1 - 9999	Dummy rubber	for pre-screening units		Lower deck		1 pc.	2318316	

Original KLEEMANN  
**SCREENING**

WIRE MESH										
Series code	Serial code	Series range	Part	Version	Clear mesh size	Deck	Position	Wire diameter	Requirement	Part no.
MC 110 EVO2	K116	1 - 9999	QM- GRADE 10 rect- angular mesh	for pre- screening units	10 mm	Lower deck		4 mm	1 pc.	2298547
			QM- GRADE 12 rect- angular mesh	for pre- screening units	12 mm	Lower deck		4 mm	1 pc.	2298549
			QM- GRADE 15 rect- angular mesh	for pre- screening units	15 mm	Lower deck		4 mm	1 pc.	2298550
			QM- GRADE 18 rect- angular mesh	for pre- screening units	18 mm	Lower deck		4 mm	1 pc.	2298551
			QM- GRADE 20 rect- angular mesh	for pre- screening units	20 mm	Lower deck		5 mm	1 pc.	2298552
			QM- GRADE 22 rect- angular mesh	for pre- screening units	22 mm	Lower deck		6 mm	1 pc.	2617143
			QM- GRADE 25 rect- angular mesh	for pre- screening units	25 mm	Lower deck		6 mm	1 pc.	2298554
			QM- GRADE 30 rect- angular mesh	for pre- screening units	30 mm	Lower deck		8 mm	1 pc.	2298555



WIRE MESH										
Series code	Serial code	Series range	Part	Version	Clear mesh size	Deck	Position	Wire diameter	Requirement	Part no.
MC 110 EVO2	K116	1 - 9999	QM- GRADE 35 rect- angular mesh	for pre- screening units	35 mm	Lower deck		8 mm	1 pc.	2298556
			QM- GRADE 40 rect- angular mesh	for pre- screening units	40 mm	Lower deck		8 mm	1 pc.	2298557
			QM- GRADE 45 rect- angular mesh	for pre- screening units	45 mm	Lower deck		8 mm	1 pc.	2298558
			QM- GRADE 50 rect- angular mesh	for pre- screening units	50 mm	Lower deck		10 mm	1 pc.	2298559
			QM- GRADE 55 rect- angular mesh	for pre- screening units	55 mm	Lower deck		10 mm	1 pc.	2298560
			QM- GRADE 60 rect- angular mesh	for pre- screening units	60 mm	Lower deck		10 mm	1 pc.	2607436
MC110i EVO2	K117	1 - 9999	Dummy rubber	for pre- screening units		Lower deck			1 pc.	2318316
			QM- GRADE 10 rect- angular mesh	for pre- screening units	10 mm	Lower deck		4 mm	1 pc.	2298547
			QM- GRADE 12 rect- angular mesh	for pre- screening units	12 mm	Lower deck		4 mm	1 pc.	2298549

Original KLEEMANN  
**SCREENING**

WIRE MESH										
Series code	Serial code	Series range	Part	Version	Clear mesh size	Deck	Position	Wire diameter	Requirement	Part no.
MC110i EVO2	K117	1 - 9999	QM- GRADE 15 rect- angular mesh	for pre- screening units	15 mm	Lower deck		4 mm	1 pc.	2298550
			QM- GRADE 18 rect- angular mesh	for pre- screening units	18 mm	Lower deck		4 mm	1 pc.	2298551
			QM- GRADE 20 rect- angular mesh	for pre- screening units	20 mm	Lower deck		5 mm	1 pc.	2298552
			QM- GRADE 22 rect- angular mesh	for pre- screening units	22 mm	Lower deck		6 mm	1 pc.	2617143
			QM- GRADE 25 rect- angular mesh	for pre- screening units	25 mm	Lower deck		6 mm	1 pc.	2298554
			QM- GRADE 30 rect- angular mesh	for pre- screening units	30 mm	Lower deck		8 mm	1 pc.	2298555
			QM- GRADE 35 rect- angular mesh	for pre- screening units	35 mm	Lower deck		8 mm	1 pc.	2298556
			QM- GRADE 40 rect- angular mesh	for pre- screening units	40 mm	Lower deck		8 mm	1 pc.	2298557



WIRE MESH										
Series code	Serial code	Series range	Part	Version	Clear mesh size	Deck	Position	Wire diameter	Requirement	Part no.
MC110i EVO2	K117	1 - 9999	QM- GRADE 45 rect- angular mesh	for pre- screening units	45 mm	Lower deck		8 mm	1 pc.	2298558
			QM- GRADE 50 rect- angular mesh	for pre- screening units	50 mm	Lower deck		10 mm	1 pc.	2298559
			QM- GRADE 55 rect- angular mesh	for pre- screening units	55 mm	Lower deck		10 mm	1 pc.	2298560
			QM- GRADE 60 rect- angular mesh	for pre- screening units	60 mm	Lower deck		10 mm	1 pc.	2607436
MCO 9 S EVO	K074	1 - 9999	QM- GRADE 10 rect- angular mesh	for second- ary screen- ing units	10 mm	Upper deck	Screen section, small	4 mm	1 pc.	2234837
				for second- ary screen- ing units	10 mm	Upper deck	Screen section, large	4 mm	4 pc.	2234836
			QM- GRADE 12 rect- angular mesh	for second- ary screen- ing units	12 mm	Upper deck - NSE	Screen section, large	4 mm	4 pc.	M20001524
				for second- ary screen- ing units	12 mm	Upper deck - NSE	Screen section, small	4 mm	1 pc.	M20001523
			QM- GRADE 15 rect- angular mesh	for second- ary screen- ing units	15 mm	Upper deck	Screen section, small	4 mm	1 pc.	M20001534
				for second- ary screen- ing units	15 mm	Upper deck	Screen section, large	4 mm	4 pc.	M20001533

Original KLEEMANN  
**SCREENING**

WIRE MESH										
Series code	Serial code	Series range	Part	Version	Clear mesh size	Deck	Position	Wire diameter	Requirement	Part no.
MCO 9 S EVO	K074	1 - 9999	QM- GRADE 16 rect- angular mesh	for second- ary screen- ing units	16 mm	Upper deck	Screen section, large	4 mm	4 pc.	2220306
				for second- ary screen- ing units	16 mm	Upper deck	Screen section, small	4 mm	1 pc.	2220305
			QM- GRADE 18 rect- angular mesh	for second- ary screen- ing units	18 mm	Upper deck	Screen section, small	5 mm	1 pc.	2395289
				for second- ary screen- ing units	18 mm	Upper deck	Screen section, large	5 mm	4 pc.	2395288
			QM- GRADE 20 rect- angular mesh	for second- ary screen- ing units	20 mm	Upper deck	Screen section, large	5 mm	4 pc.	2234861
				for second- ary screen- ing units	20 mm	Upper deck	Screen section, small	5 mm	1 pc.	2234862
			QM- GRADE 22 rect- angular mesh	for second- ary screen- ing units	22 mm	Upper deck	Screen section, large	6 mm	4 pc.	2292815
				for second- ary screen- ing units	22 mm	Upper deck	Screen section, small	6 mm	1 pc.	2292816
			QM- GRADE 25 rect- angular mesh	for second- ary screen- ing units	25 mm	Upper deck	Screen section, small	6 mm	1 pc.	M20001410
				for second- ary screen- ing units	25 mm	Upper deck	Screen section, large	6 mm	4 pc.	M20001411
			QM- GRADE 28 rect- angular mesh	for second- ary screen- ing units	28 mm	Upper deck	Screen section, large	6 mm	4 pc.	M20001532
				for second- ary screen- ing units	28 mm	Upper deck	Screen section, small	6 mm	1 pc.	M20001531





WIRE MESH										
Series code	Serial code	Series range	Part	Version	Clear mesh size	Deck	Position	Wire diameter	Requirement	Part no.
MCO 9 S EVO	K074	1 - 9999	QM-GRADE 30 rectangular mesh	for secondary screening units	30 mm	Upper deck	Screen section, small	8 mm	1 pc.	2234871
				for secondary screening units	30 mm	Upper deck	Screen section, large	8 mm	4 pc.	2234867
			QM-GRADE 32 rectangular mesh	for secondary screening units	32 mm	Upper deck	Screen section, small	6 mm	1 pc.	2292822
				for secondary screening units	32 mm	Upper deck	Screen section, large	6 mm	4 pc.	2292821
			QM-GRADE 35 rectangular mesh	for secondary screening units	35 mm	Upper deck	Screen section, small	8 mm	1 pc.	2234880
				for secondary screening units	35 mm	Upper deck	Screen section, large	8 mm	4 pc.	2234878
			QM-GRADE 40 rectangular mesh	for secondary screening units	40 mm	Upper deck	Screen section, small	8 mm	1 pc.	M20001404
				for secondary screening units	40 mm	Upper deck	Screen section, large	8 mm	4 pc.	M20001405
			QM-GRADE 45 rectangular mesh	for secondary screening units	45 mm	Upper deck	Screen section, large	8 mm	4 pc.	M20001640
				for secondary screening units	45 mm	Upper deck	Screen section, small	8 mm	1 pc.	M20001639
			QM-GRADE 50 rectangular mesh	for secondary screening units	50 mm	Upper deck	Screen section, large	10 mm	4 pc.	M20001370
				for secondary screening units	50 mm	Upper deck	Screen section, small	10 mm	1 pc.	M20001369

Original KLEEMANN  
**SCREENING**

WIRE MESH										
Series code	Serial code	Series range	Part	Version	Clear mesh size	Deck	Position	Wire diameter	Requirement	Part no.
MCO 9 S EVO	K074	1 - 9999	QM- GRADE 55 rect- angular mesh	for second- ary screen- ing units	55 mm	Upper deck	Screen section, small	10 mm	1 pc.	M20001579
				for second- ary screen- ing units	55 mm	Upper deck	Screen section, large	10 mm	4 pc.	M20001571
			QM- GRADE 60 rect- angular mesh	for second- ary screen- ing units	60 mm	Upper deck	Screen section, small	10 mm	1 pc.	M20001715
				for second- ary screen- ing units	60 mm	Upper deck	Screen section, large	10 mm	4 pc.	M20001716
			QM- GRADE 65 rect- angular mesh	for second- ary screen- ing units	65 mm	Upper deck	Screen section, small	10 mm	1 pc.	M20001530
				for second- ary screen- ing units	65 mm	Upper deck	Screen section, large	10 mm	4 pc.	M20001529
			QM- GRADE 70 rect- angular mesh	for second- ary screen- ing units	70 mm	Upper deck	Screen section, large	10 mm	4 pc.	M20001678
				for second- ary screen- ing units	70 mm	Upper deck	Screen section, small	10 mm	1 pc.	M20001679
			QM- GRADE 8 rect- angular mesh	for second- ary screen- ing units	8 mm	Upper deck	Screen section, small	3 mm	1 pc.	2632147
				for second- ary screen- ing units	8 mm	Upper deck	Screen section, large	3 mm	4 pc.	2632145
			QM- GRADE 80 rect- angular mesh	for second- ary screen- ing units	80 mm	Upper deck	Screen section, large	10 mm	4 pc.	2202449
				for second- ary screen- ing units	80 mm	Upper deck	Screen section, small	10 mm	1 pc.	2202450



WIRE MESH										
Series code	Serial code	Series range	Part	Version	Clear mesh size	Deck	Position	Wire diameter	Requirement	Part no.
MCO 9 S EVO	K074	1 - 9999	QM-GRADE 90 rectangular mesh	for secondary screening units	90 mm	Upper deck	Screen section, small	10 mm	1 pc.	2200098
				for secondary screening units	90 mm	Upper deck	Screen section, large	10 mm	4 pc.	2200097
MCO 9 Si EVO	K075	1 - 9999	QM-GRADE 10 rectangular mesh	for secondary screening units	10 mm	Upper deck	Screen section, large	4 mm	4 pc.	2234836
				for secondary screening units	10 mm	Upper deck	Screen section, small	4 mm	1 pc.	2234837
			QM-GRADE 12 rectangular mesh	for secondary screening units	12 mm	Upper deck - NSE	Screen section, small	4 mm	1 pc.	M20001523
				for secondary screening units	12 mm	Upper deck - NSE	Screen section, large	4 mm	4 pc.	M20001524
			QM-GRADE 15 rectangular mesh	for secondary screening units	15 mm	Upper deck	Screen section, large	4 mm	4 pc.	M20001533
				for secondary screening units	15 mm	Upper deck	Screen section, small	4 mm	1 pc.	M20001534
			QM-GRADE 16 rectangular mesh	for secondary screening units	16 mm	Upper deck	Screen section, large	4 mm	4 pc.	2220306
				for secondary screening units	16 mm	Upper deck	Screen section, small	4 mm	1 pc.	2220305
			QM-GRADE 18 rectangular mesh	for secondary screening units	18 mm	Upper deck	Screen section, large	5 mm	4 pc.	2395288
				for secondary screening units	18 mm	Upper deck	Screen section, small	5 mm	1 pc.	2395289

Original KLEEMANN  
**SCREENING**

WIRE MESH										
Series code	Serial code	Series range	Part	Version	Clear mesh size	Deck	Position	Wire diameter	Requirement	Part no.
MCO 9 Si EVO	K075	1 - 9999	QM- GRADE 20 rect- angular mesh	for second- ary screen- ing units	20 mm	Upper deck	Screen section, large	5 mm	4 pc.	2234861
				for second- ary screen- ing units	20 mm	Upper deck	Screen section, small	5 mm	1 pc.	2234862
			QM- GRADE 22 rect- angular mesh	for second- ary screen- ing units	22 mm	Upper deck	Screen section, large	6 mm	4 pc.	2292815
				for second- ary screen- ing units	22 mm	Upper deck	Screen section, small	6 mm	1 pc.	2292816
			QM- GRADE 25 rect- angular mesh	for second- ary screen- ing units	25 mm	Upper deck	Screen section, small	6 mm	1 pc.	M20001410
				for second- ary screen- ing units	25 mm	Upper deck	Screen section, large	6 mm	4 pc.	M20001411
			QM- GRADE 28 rect- angular mesh	for second- ary screen- ing units	28 mm	Upper deck	Screen section, small	6 mm	1 pc.	M20001531
				for second- ary screen- ing units	28 mm	Upper deck	Screen section, large	6 mm	4 pc.	M20001532
			QM- GRADE 30 rect- angular mesh	for second- ary screen- ing units	30 mm	Upper deck	Screen section, small	8 mm	1 pc.	2234871
				for second- ary screen- ing units	30 mm	Upper deck	Screen section, large	8 mm	4 pc.	2234867
			QM- GRADE 32 rect- angular mesh	for second- ary screen- ing units	32 mm	Upper deck	Screen section, small	6 mm	1 pc.	2292822
				for second- ary screen- ing units	32 mm	Upper deck	Screen section, large	6 mm	4 pc.	2292821



WIRE MESH										
Series code	Serial code	Series range	Part	Version	Clear mesh size	Deck	Position	Wire diameter	Requirement	Part no.
MCO 9 Si EVO	K075	1 - 9999	QM- GRADE 35 rect- angular mesh	for second- ary screen- ing units	35 mm	Upper deck	Screen section, small	8 mm	1 pc.	2234880
				for second- ary screen- ing units	35 mm	Upper deck	Screen section, large	8 mm	4 pc.	2234878
			QM- GRADE 40 rect- angular mesh	for second- ary screen- ing units	40 mm	Upper deck	Screen section, small	8 mm	1 pc.	M20001404
				for second- ary screen- ing units	40 mm	Upper deck	Screen section, large	8 mm	4 pc.	M20001405
			QM- GRADE 45 rect- angular mesh	for second- ary screen- ing units	45 mm	Upper deck	Screen section, small	8 mm	1 pc.	M20001639
				for second- ary screen- ing units	45 mm	Upper deck	Screen section, large	8 mm	4 pc.	M20001640
			QM- GRADE 50 rect- angular mesh	for second- ary screen- ing units	50 mm	Upper deck	Screen section, large	10 mm	4 pc.	M20001370
				for second- ary screen- ing units	50 mm	Upper deck	Screen section, small	10 mm	1 pc.	M20001369
			QM- GRADE 55 rect- angular mesh	for second- ary screen- ing units	55 mm	Upper deck	Screen section, large	10 mm	4 pc.	M20001571
				for second- ary screen- ing units	55 mm	Upper deck	Screen section, small	10 mm	1 pc.	M20001579
			QM- GRADE 60 rect- angular mesh	for second- ary screen- ing units	60 mm	Upper deck	Screen section, large	10 mm	4 pc.	M20001716
				for second- ary screen- ing units	60 mm	Upper deck	Screen section, small	10 mm	1 pc.	M20001715

Original KLEEMANN  
**SCREENING**

WIRE MESH													
Series code	Serial code	Series range	Part	Version	Clear mesh size	Deck	Position	Wire diameter	Requirement	Part no.			
MCO 9 Si EVO	K075	1 - 9999	QM- GRADE 65 rect- angular mesh	for second- ary screen- ing units	65 mm	Upper deck	Screen section, small	10 mm	1 pc.	M20001530			
				for second- ary screen- ing units	65 mm	Upper deck	Screen section, large	10 mm	4 pc.	M20001529			
			QM- GRADE 70 rect- angular mesh	for second- ary screen- ing units	70 mm	Upper deck	Screen section, large	10 mm	4 pc.	M20001678			
				for second- ary screen- ing units	70 mm	Upper deck	Screen section, small	10 mm	1 pc.	M20001679			
			QM- GRADE 8 rect- angular mesh	for second- ary screen- ing units	8 mm	Upper deck	Screen section, large	3 mm	4 pc.	2632145			
				for second- ary screen- ing units	8 mm	Upper deck	Screen section, small	3 mm	1 pc.	2632147			
			QM- GRADE 80 rect- angular mesh	for second- ary screen- ing units	80 mm	Upper deck	Screen section, small	10 mm	1 pc.	2202450			
				for second- ary screen- ing units	80 mm	Upper deck	Screen section, large	10 mm	4 pc.	2202449			
			QM- GRADE 90 rect- angular mesh	for second- ary screen- ing units	90 mm	Upper deck	Screen section, large	10 mm	4 pc.	2200097			
				for second- ary screen- ing units	90 mm	Upper deck	Screen section, small	10 mm	1 pc.	2200098			
			MCO 90 EVO2	K120	1 - 9999	QM- GRADE 10 rect- angular mesh	for second- ary screen- ing units	10 mm	Upper deck - NSE doubl- e-deck version	Screen section, small	4 mm	1 pc.	2234837



WIRE MESH										
Series code	Serial code	Series range	Part	Version	Clear mesh size	Deck	Position	Wire diameter	Requirement	Part no.
MCO 90 EVO2	K120	1 - 9999	QM- GRADE 10 rect- angular mesh	for second- ary screen- ing units	10 mm	Upper deck - NSE single- deck ver- sion; Upper deck - NSE doubl- e-deck version	Screen section, large	4 mm	4 pc.	2234836
			QM- GRADE 11 rect- angular mesh	for pre- screening units	11 mm	Upper deck - NSE single- deck version	Screen section, large	4 mm	4 pc.	2220302
				for second- ary screen- ing units	12 mm	Upper deck - NSE doubl- e-deck version	Screen section, small	4 mm	1 pc.	M20001523
			QM- GRADE 12 rect- angular mesh	for second- ary screen- ing units	12 mm	Upper deck - NSE single- deck ver- sion; Upper deck - NSE doubl- e-deck version	Screen section, large	4 mm	4 pc.	M20001524
			QM- GRADE 13 rect- angular mesh	for pre- screening units	13 mm	Upper deck - NSE single- deck version	Screen section, large	4 mm	4 pc.	2570206

Original KLEEMANN  
**SCREENING**

WIRE MESH										
Series code	Serial code	Series range	Part	Version	Clear mesh size	Deck	Position	Wire diameter	Requirement	Part no.
MCO 90 EVO2	K120	1 - 9999	QM- GRADE 15 rect- angular mesh	for second- ary screen- ing units	15 mm	Upper deck - NSE single- deck ver- sion; Upper deck - NSE doubl- e-deck version	Screen section, large	4 mm	4 pc.	M20001533
				for second- ary screen- ing units	15 mm	Upper deck - NSE doubl- e-deck version	Screen section, small	4 mm	1 pc.	M20001534
			QM- GRADE 16 rect- angular mesh	for second- ary screen- ing units	16 mm	Upper deck - NSE single- deck ver- sion; Upper deck - NSE doubl- e-deck version	Screen section, large	4 mm	4 pc.	2220306
				for second- ary screen- ing units	16 mm	Upper deck - NSE doubl- e-deck version	Screen section, small	4 mm	1 pc.	2220305
			QM- GRADE 18 rect- angular mesh	for second- ary screen- ing units	18 mm	Upper deck - NSE single- deck ver- sion; Upper deck - NSE doubl- e-deck version	Screen section, large	5 mm	4 pc.	2395288





WIRE MESH										
Series code	Serial code	Series range	Part	Version	Clear mesh size	Deck	Position	Wire diameter	Requirement	Part no.
MCO 90 EVO2	K120	1 - 9999	QM- GRADE 18 rect- angular mesh	for second- ary screen- ing units	18 mm	Upper deck - NSE doubl- e-deck version	Screen section, small	5 mm	1 pc.	2395289
				for second- ary screen- ing units	20 mm	Upper deck - NSE doubl- e-deck version	Screen section, small	5 mm	1 pc.	2234862
			QM- GRADE 20 rect- angular mesh	for second- ary screen- ing units	20 mm	Upper deck - NSE single- deck ver- sion; Upper deck - NSE doubl- e-deck version	Screen section, large	5 mm	4 pc.	2234861
				for second- ary screen- ing units	22 mm	Upper deck - NSE doubl- e-deck version	Screen section, small	6 mm	1 pc.	2292816
			QM- GRADE 22 rect- angular mesh	for second- ary screen- ing units	22 mm	Upper deck - NSE single- deck ver- sion; Upper deck - NSE doubl- e-deck version	Screen section, large	6 mm	4 pc.	2292815
			QM- GRADE 25 rect- angular mesh	for second- ary screen- ing units	25 mm	Upper deck - NSE doubl- e-deck version	Screen section, small	6 mm	1 pc.	M20001410

Original KLEEMANN  
**SCREENING**

WIRE MESH										
Series code	Serial code	Series range	Part	Version	Clear mesh size	Deck	Position	Wire diameter	Requirement	Part no.
MCO 90 EVO2	K120	1 - 9999	QM-GRADE 25 rectangular mesh	for secondary screening units	25 mm	Upper deck - NSE single-deck version; Upper deck - NSE double-deck version	Screen section, large	6 mm	4 pc.	M20001411
			QM-GRADE 28 rectangular mesh	for secondary screening units	28 mm	Upper deck - NSE single-deck version; Upper deck - NSE double-deck version	Screen section, large	6 mm	4 pc.	M20001532
				for secondary screening units	28 mm	Upper deck - NSE double-deck version	Screen section, small	6 mm	1 pc.	M20001531
			QM-GRADE 30 rectangular mesh	for secondary screening units	30 mm	Upper deck - NSE single-deck version; Upper deck - NSE double-deck version	Screen section, large	8 mm	4 pc.	2234867
				for secondary screening units	30 mm	Upper deck - NSE double-deck version	Screen section, small	8 mm	1 pc.	2234871



WIRE MESH										
Series code	Serial code	Series range	Part	Version	Clear mesh size	Deck	Position	Wire diameter	Requirement	Part no.
MCO 90 EVO2	K120	1 - 9999	QM- GRADE 32 rect- angular mesh	for second- ary screen- ing units	32 mm	Upper deck - NSE single- deck ver- sion; Upper deck - NSE doubl- e-deck version	Screen section, large	6 mm	4 pc.	2292821
				for second- ary screen- ing units	32 mm	Upper deck - NSE doubl- e-deck version	Screen section, small	6 mm	1 pc.	2292822
			QM- GRADE 35 rect- angular mesh	for second- ary screen- ing units	35 mm	Upper deck - NSE single- deck ver- sion; Upper deck - NSE doubl- e-deck version	Screen section, large	8 mm	4 pc.	2234878
				for second- ary screen- ing units	35 mm	Upper deck - NSE doubl- e-deck version	Screen section, small	8 mm	1 pc.	2234880
			QM- GRADE 40 rect- angular mesh	for second- ary screen- ing units	40 mm	Upper deck - NSE single- deck ver- sion; Upper deck - NSE doubl- e-deck version	Screen section, large	8 mm	4 pc.	M20001405

Original KLEEMANN  
**SCREENING**

WIRE MESH										
Series code	Serial code	Series range	Part	Version	Clear mesh size	Deck	Position	Wire diameter	Requirement	Part no.
MCO 90 EVO2	K120	1 - 9999	QM- GRADE 40 rect- angular mesh	for second- ary screen- ing units	40 mm	Upper deck - NSE doubl- e-deck version	Screen section, small	8 mm	1 pc.	M20001404
				for second- ary screen- ing units	45 mm	Upper deck - NSE doubl- e-deck version	Screen section, small	8 mm	1 pc.	M20001639
			QM- GRADE 45 rect- angular mesh	for second- ary screen- ing units	45 mm	Upper deck - NSE single- deck ver- sion; Upper deck - NSE doubl- e-deck version	Screen section, large	8 mm	4 pc.	M20001640
				for second- ary screen- ing units	50 mm	Upper deck - NSE doubl- e-deck version	Screen section, small	10 mm	1 pc.	M20001369
			QM- GRADE 50 rect- angular mesh	for second- ary screen- ing units	50 mm	Upper deck - NSE single- deck ver- sion; Upper deck - NSE doubl- e-deck version	Screen section, large	10 mm	4 pc.	M20001370
				for second- ary screen- ing units						



WIRE MESH										
Series code	Serial code	Series range	Part	Version	Clear mesh size	Deck	Position	Wire diameter	Requirement	Part no.
MCO 90 EVO2	K120	1 - 9999	QM- GRADE 55 rect- angular mesh	for second- ary screen- ing units	55 mm	Upper deck - NSE single- deck ver- sion; Upper deck - NSE doubl- e-deck version	Screen section, large	10 mm	4 pc.	M20001571
				for second- ary screen- ing units	55 mm	Upper deck - NSE doubl- e-deck version	Screen section, small	10 mm	1 pc.	M20001579
			QM- GRADE 6 rect- angular mesh	for pre- screening units	6 mm	Upper deck - NSE single- deck version	Screen section, large	2.5 mm	4 pc.	2586828
			QM- GRADE 60 rect- angular mesh	for second- ary screen- ing units	60 mm	Upper deck - NSE doubl- e-deck version	Screen section, small	10 mm	1 pc.	M20001715
				for second- ary screen- ing units	60 mm	Upper deck - NSE single- deck ver- sion; Upper deck - NSE doubl- e-deck version	Screen section, large	10 mm	4 pc.	M20001716

Original KLEEMANN  
**SCREENING**

WIRE MESH										
Series code	Serial code	Series range	Part	Version	Clear mesh size	Deck	Position	Wire diameter	Requirement	Part no.
MCO 90 EVO2	K120	1 - 9999	QM-GRADE 65 rectangular mesh	for secondary screening units	65 mm	Upper deck - NSE single-deck version; Upper deck - NSE double-deck version	Screen section, large	10 mm	4 pc.	M20001529
				for secondary screening units	65 mm	Upper deck - NSE double-deck version	Screen section, small	10 mm	1 pc.	M20001530
			QM-GRADE 7 rectangular mesh	for pre-screening units	7 mm	Upper deck - NSE single-deck version	Screen section, large	3 mm	4 pc.	2591533
			QM-GRADE 70 rectangular mesh	for secondary screening units	70 mm	Upper deck - NSE single-deck version; Upper deck - NSE double-deck version	Screen section, large	10 mm	4 pc.	M20001678
				for secondary screening units	70 mm	Upper deck - NSE double-deck version	Screen section, small	10 mm	1 pc.	M20001679



WIRE MESH										
Series code	Serial code	Series range	Part	Version	Clear mesh size	Deck	Position	Wire diameter	Requirement	Part no.
MCO 90 EVO2	K120	1 - 9999	QM- GRADE 8 rect- angular mesh	for second- ary screen- ing units	8 mm	Upper deck - NSE single- deck ver- sion; Upper deck - NSE doubl- e-deck version	Screen section, large	3 mm	4 pc.	2632145
				for second- ary screen- ing units	8 mm	Upper deck - NSE doubl- e-deck version	Screen section, small	3 mm	1 pc.	2632147
			QM- GRADE 80 rect- angular mesh	for second- ary screen- ing units	80 mm	Upper deck - NSE doubl- e-deck version	Screen section, small	10 mm	1 pc.	2202450
				for second- ary screen- ing units	80 mm	Upper deck - NSE single- deck ver- sion; Upper deck - NSE doubl- e-deck version	Screen section, large	10 mm	4 pc.	2202449
			QM- GRADE 9 rect- angular mesh	for MOBI- SCREEN series	9 mm	Upper deck - NSE single- deck version	Screen section, large	3 mm	4 pc.	2896821

Original KLEEMANN  
**SCREENING**

WIRE MESH										
Series code	Serial code	Series range	Part	Version	Clear mesh size	Deck	Position	Wire diameter	Requirement	Part no.
MCO 90 EVO2	K120	1 - 9999	QM- GRADE 90 rect- angular mesh	for second- ary screen- ing units	90 mm	Upper deck - NSE single- deck ver- sion; Upper deck - NSE doubl- e-deck version	Screen section, large	10 mm	4 pc.	2200097
				for second- ary screen- ing units	90 mm	Upper deck - NSE doubl- e-deck version	Screen section, small	10 mm	1 pc.	2200098
		15 - 9999	QM- GRADE 10 rect- angular mesh	for pre- screening units	10 mm	Lower deck - NSE doubl- e-deck version		2.5 mm	2 pc.	3063034
			QM- GRADE 11 rect- angular mesh	for pre- screening units	11 mm	Lower deck - NSE doubl- e-deck version		3 mm	2 pc.	3063035
			QM- GRADE 12 rect- angular mesh	for pre- screening units	12 mm	Lower deck - NSE doubl- e-deck version		4 mm	2 pc.	3063036
			QM- GRADE 15 rect- angular mesh	for pre- screening units	15 mm	Lower deck - NSE doubl- e-deck version		4 mm	2 pc.	3063037
			QM- GRADE 16 rect- angular mesh	for pre- screening units	16 mm	Lower deck - NSE doubl- e-deck version		4 mm	2 pc.	3063038





WIRE MESH										
Series code	Serial code	Series range	Part	Version	Clear mesh size	Deck	Position	Wire diameter	Requirement	Part no.
MCO 90 EVO2	K120	15 - 9999	QM- GRADE 18 rect- angular mesh	for pre- screening units	18 mm	Lower deck - NSE doubl- e-deck version		4 mm	2 pc.	3063039
			QM- GRADE 20 rect- angular mesh	for pre- screening units	20 mm	Lower deck - NSE doubl- e-deck version		4 mm	2 pc.	3063040
			QM- GRADE 22 rect- angular mesh	for pre- screening units	22 mm	Lower deck - NSE doubl- e-deck version		5 mm	2 pc.	3063041
			QM- GRADE 25 rect- angular mesh	for pre- screening units	25 mm	Lower deck - NSE doubl- e-deck version		5 mm	2 pc.	3063042
			QM- GRADE 28 rect- angular mesh	for pre- screening units	28 mm	Lower deck - NSE doubl- e-deck version		5 mm	2 pc.	3063043
			QM- GRADE 30 rect- angular mesh	for pre- screening units	30 mm	Lower deck - NSE doubl- e-deck version		6 mm	2 pc.	3063044
			QM- GRADE 35 rect- angular mesh	for pre- screening units	35 mm	Lower deck - NSE doubl- e-deck version		6 mm	2 pc.	3063045
			QM- GRADE 40 rect- angular mesh	for pre- screening units	40 mm	Lower deck - NSE doubl- e-deck version		6 mm	2 pc.	3063046

Original KLEEMANN  
**SCREENING**

WIRE MESH										
Series code	Serial code	Series range	Part	Version	Clear mesh size	Deck	Position	Wire diameter	Requirement	Part no.
MCO 90 EVO2	K120	15 - 9999	QM- GRADE 5 rect- angular mesh	for pre- screening units	5 mm	Lower deck - NSE doubl- e-deck version		2 mm	2 pc.	3063031
			QM- GRADE 6 rect- angular mesh	for pre- screening units	6 mm	Lower deck - NSE doubl- e-deck version		2 mm	2 pc.	3063032
			QM- GRADE 9 rect- angular mesh	for pre- screening units	9 mm	Lower deck - NSE doubl- e-deck version		2.5 mm	2 pc.	3063033
MCO 90i EVO2	K121	1 - 9999	QM- GRADE 10 rect- angular mesh	for second- ary screen- ing units	10 mm	Upper deck - NSE single- deck version	Screen section, large	4 mm	4 pc.	2234836
			QM- GRADE 11 rect- angular mesh	for pre- screening units	11 mm	Upper deck - NSE single- deck version	Screen section, large	4 mm	4 pc.	2220302
			QM- GRADE 12 rect- angular mesh	for second- ary screen- ing units	12 mm	Upper deck - NSE single- deck version	Screen section, large	4 mm	4 pc.	M20001524
			QM- GRADE 13 rect- angular mesh	for pre- screening units	13 mm	Upper deck - NSE single- deck version	Screen section, large	4 mm	4 pc.	2570206
			QM- GRADE 15 rect- angular mesh	for second- ary screen- ing units	15 mm	Upper deck - NSE single- deck version	Screen section, large	4 mm	4 pc.	M20001533



WIRE MESH										
Series code	Serial code	Series range	Part	Version	Clear mesh size	Deck	Position	Wire diameter	Requirement	Part no.
MCO 90i EVO2	K121	1 - 9999	QM- GRADE 16 rect- angular mesh	for second- ary screen- ing units	16 mm	Upper deck - NSE single- deck version	Screen section, large	4 mm	4 pc.	2220306
			QM- GRADE 18 rect- angular mesh	for second- ary screen- ing units	18 mm	Upper deck - NSE single- deck version	Screen section, large	5 mm	4 pc.	2395288
			QM- GRADE 20 rect- angular mesh	for second- ary screen- ing units	20 mm	Upper deck - NSE single- deck version	Screen section, large	5 mm	4 pc.	2234861
			QM- GRADE 22 rect- angular mesh	for second- ary screen- ing units	22 mm	Upper deck - NSE single- deck version	Screen section, large	6 mm	4 pc.	2292815
			QM- GRADE 25 rect- angular mesh	for second- ary screen- ing units	25 mm	Upper deck - NSE single- deck version	Screen section, large	6 mm	4 pc.	M20001411
			QM- GRADE 28 rect- angular mesh	for second- ary screen- ing units	28 mm	Upper deck - NSE single- deck version	Screen section, large	6 mm	4 pc.	M20001532
			QM- GRADE 30 rect- angular mesh	for second- ary screen- ing units	30 mm	Upper deck - NSE single- deck version	Screen section, large	8 mm	4 pc.	2234867
			QM- GRADE 32 rect- angular mesh	for second- ary screen- ing units	32 mm	Upper deck - NSE single- deck version	Screen section, large	6 mm	4 pc.	2292821

Original KLEEMANN  
**SCREENING**

WIRE MESH										
Series code	Serial code	Series range	Part	Version	Clear mesh size	Deck	Position	Wire diameter	Requirement	Part no.
MCO 90i EVO2	K121	1 - 9999	QM- GRADE 35 rect- angular mesh	for second- ary screen- ing units	35 mm	Upper deck - NSE single- deck version	Screen section, large	8 mm	4 pc.	2234878
			QM- GRADE 40 rect- angular mesh	for second- ary screen- ing units	40 mm	Upper deck - NSE single- deck version	Screen section, large	8 mm	4 pc.	M20001405
			QM- GRADE 45 rect- angular mesh	for second- ary screen- ing units	45 mm	Upper deck - NSE single- deck version	Screen section, large	8 mm	4 pc.	M20001640
			QM- GRADE 50 rect- angular mesh	for second- ary screen- ing units	50 mm	Upper deck - NSE single- deck version	Screen section, large	10 mm	4 pc.	M20001370
			QM- GRADE 55 rect- angular mesh	for second- ary screen- ing units	55 mm	Upper deck - NSE single- deck version	Screen section, large	10 mm	4 pc.	M20001571
			QM- GRADE 6 rect- angular mesh	for pre- screening units	6 mm	Upper deck - NSE single- deck version	Screen section, large	2.5 mm	4 pc.	2586828
			QM- GRADE 60 rect- angular mesh	for second- ary screen- ing units	60 mm	Upper deck - NSE single- deck version	Screen section, large	10 mm	4 pc.	M20001716
			QM- GRADE 65 rect- angular mesh	for second- ary screen- ing units	65 mm	Upper deck - NSE single- deck version	Screen section, large	10 mm	4 pc.	M20001529



WIRE MESH										
Series code	Serial code	Series range	Part	Version	Clear mesh size	Deck	Position	Wire diameter	Requirement	Part no.
MCO 90i EVO2	K121	1 - 9999	QM- GRADE 7 rect- angular mesh	for pre- screening units	7 mm	Upper deck - NSE single- deck version	Screen section, large	3 mm	4 pc.	2591533
			QM- GRADE 70 rect- angular mesh	for second- ary screen- ing units	70 mm	Upper deck - NSE single- deck version	Screen section, large	10 mm	4 pc.	M20001678
			QM- GRADE 8 rect- angular mesh	for second- ary screen- ing units	8 mm	Upper deck - NSE single- deck version	Screen section, large	3 mm	4 pc.	2632145
			QM- GRADE 80 rect- angular mesh	for second- ary screen- ing units	80 mm	Upper deck - NSE single- deck version	Screen section, large	10 mm	4 pc.	2202449
			QM- GRADE 9 rect- angular mesh	for MOBI- SCREEN series	9 mm	Upper deck - NSE single- deck version	Screen section, large	3 mm	4 pc.	2896821
			QM- GRADE 90 rect- angular mesh	for second- ary screen- ing units	90 mm	Upper deck - NSE single- deck version	Screen section, large	10 mm	4 pc.	2200097
		52 - 9999	QM- GRADE 10 rect- angular mesh	for pre- screening units	10 mm	Lower deck - NSE doubl- e-deck version		2.5 mm	2 pc.	3063034
			QM- GRADE 11 rect- angular mesh	for pre- screening units	11 mm	Lower deck - NSE doubl- e-deck version		3 mm	2 pc.	3063035

Original KLEEMANN  
**SCREENING**

WIRE MESH										
Series code	Serial code	Series range	Part	Version	Clear mesh size	Deck	Position	Wire diameter	Requirement	Part no.
MCO 90i EVO2	K121	52 - 9999	QM- GRADE 12 rect- angular mesh	for pre- screening units	12 mm	Lower deck - NSE doubl- e-deck version		4 mm	2 pc.	3063036
			QM- GRADE 15 rect- angular mesh	for pre- screening units	15 mm	Lower deck - NSE doubl- e-deck version		4 mm	2 pc.	3063037
			QM- GRADE 16 rect- angular mesh	for pre- screening units	16 mm	Lower deck - NSE doubl- e-deck version		4 mm	2 pc.	3063038
			QM- GRADE 18 rect- angular mesh	for pre- screening units	18 mm	Lower deck - NSE doubl- e-deck version		4 mm	2 pc.	3063039
			QM- GRADE 20 rect- angular mesh	for pre- screening units	20 mm	Lower deck - NSE doubl- e-deck version		4 mm	2 pc.	3063040
			QM- GRADE 22 rect- angular mesh	for pre- screening units	22 mm	Lower deck - NSE doubl- e-deck version		5 mm	2 pc.	3063041
			QM- GRADE 25 rect- angular mesh	for pre- screening units	25 mm	Lower deck - NSE doubl- e-deck version		5 mm	2 pc.	3063042
			QM- GRADE 28 rect- angular mesh	for pre- screening units	28 mm	Lower deck - NSE doubl- e-deck version		5 mm	2 pc.	3063043



WIRE MESH										
Series code	Serial code	Series range	Part	Version	Clear mesh size	Deck	Position	Wire diameter	Requirement	Part no.
MCO 90i EVO2	K121	52 - 9999	QM-GRADE 30 rectangular mesh	for pre-screening units	30 mm	Lower deck - NSE double-deck version		6 mm	2 pc.	3063044
			QM-GRADE 35 rectangular mesh	for pre-screening units	35 mm	Lower deck - NSE double-deck version		6 mm	2 pc.	3063045
			QM-GRADE 40 rectangular mesh	for pre-screening units	40 mm	Lower deck - NSE double-deck version		6 mm	2 pc.	3063046
			QM-GRADE 5 rectangular mesh	for pre-screening units	5 mm	Lower deck - NSE double-deck version		2 mm	2 pc.	3063031
			QM-GRADE 6 rectangular mesh	for pre-screening units	6 mm	Lower deck - NSE double-deck version		2 mm	2 pc.	3063032
			QM-GRADE 9 rectangular mesh	for pre-screening units	9 mm	Lower deck - NSE double-deck version		2.5 mm	2 pc.	3063033
MR 100 Z	K013	1 - 9999	CMS 65 rectangular mesh	for secondary screening units	65 mm	Upper deck - NSE	Screen section, large	10 mm	2 pc.	M20000148
			QM-GRADE 18 rectangular mesh	for secondary screening units	18 mm	Upper deck - NSE	Screen section, large	4 mm	2 pc.	2194538
			QM-GRADE 22 rectangular mesh	for secondary screening units	22 mm	Upper deck - NSE	Screen section, large	5 mm	2 pc.	M10017783

Original KLEEMANN  
**SCREENING**

WIRE MESH										
Series code	Serial code	Series range	Part	Version	Clear mesh size	Deck	Position	Wire diameter	Requirement	Part no.
MR 100 Z	K013	1 - 9999	QM- GRADE 25 rect- angular mesh	for second- ary screen- ing units	25 mm	Upper deck - NSE	Screen section, large	6 mm	2 pc.	M10021718
			QM- GRADE 28 rect- angular mesh	for second- ary screen- ing units	28 mm	Upper deck - NSE	Screen section, large	7 mm	2 pc.	M20001153
			QM- GRADE 30 rect- angular mesh	for second- ary screen- ing units	30 mm	Upper deck - NSE	Screen section, large	8 mm	2 pc.	2234804
			QM- GRADE 35 rect- angular mesh	for second- ary screen- ing units	35 mm	Upper deck - NSE	Screen section, large	8 mm	2 pc.	M20000147
			QM- GRADE 40 rect- angular mesh	for second- ary screen- ing units	40 mm	Upper deck - NSE	Screen section, large	8 mm	2 pc.	M20000377
			QM- GRADE 45 rect- angular mesh	for second- ary screen- ing units	45 mm	Upper deck - NSE	Screen section, large	8 mm	2 pc.	M10017736
			QM- GRADE 50 rect- angular mesh	for second- ary screen- ing units	50 mm	Upper deck - NSE	Screen section, large	10 mm	2 pc.	M20000799
			QM- GRADE 55 rect- angular mesh	for second- ary screen- ing units	55 mm	Upper deck - NSE	Screen section, large	10 mm	2 pc.	M20000666





WIRE MESH											
Series code	Serial code	Series range	Part	Version	Clear mesh size	Deck	Position	Wire diameter	Requirement	Part no.	
MR 100 Z	K013	1 - 9999	QM-GRADE 60 rectangular mesh	for secondary screening units	60 mm	Upper deck - NSE	Screen section, large	10 mm	2 pc.	M20000273	
			QM-GRADE 70 rectangular mesh	for secondary screening units	70 mm	Upper deck - NSE	Screen section, large	10 mm	2 pc.	2607304	
			QM-GRADE 80 rectangular mesh	for secondary screening units	80 mm	Upper deck - NSE	Screen section, large	10 mm	2 pc.	M20000898	
			QM-GRADE 90 rectangular mesh	for secondary screening units	90 mm	Upper deck - NSE	Screen section, large	10 mm	2 pc.	2432813	
		10 - 9999	Rubber screen	for pre-screening units		Lower deck				1 pc.	F10410144
			CMS 8 rectangular mesh	for pre-screening units	8 mm	Lower deck		3 mm	1 pc.	M20000705	
			QM-GRADE 10 rectangular mesh	for pre-screening units	10 mm	Lower deck		2 mm	1 pc.	M20001179	
			QM-GRADE 12 rectangular mesh	for pre-screening units	12 mm	Lower deck		3 mm	1 pc.	M10021509	
			QM-GRADE 20 rectangular mesh	for pre-screening units	20 mm	Lower deck		5 mm	1 pc.	M20000325	

Original KLEEMANN  
**SCREENING**

WIRE MESH										
Series code	Serial code	Series range	Part	Version	Clear mesh size	Deck	Position	Wire diameter	Requirement	Part no.
MR 100 Z	K013	10 - 9999	QM- GRADE 25 rect- angular mesh	for pre- screening units	25 mm	Lower deck		6 mm	1 pc.	M20000350
			QM- GRADE 30 rect- angular mesh	for pre- screening units	30 mm	Lower deck		6 mm	1 pc.	M20001142
			QM- GRADE 32 rect- angular mesh	for pre- screening units	32 mm	Lower deck		6 mm	1 pc.	2289634
			QM- GRADE 35 rect- angular mesh	for pre- screening units	35 mm	Lower deck		8 mm	1 pc.	M10016665
			QM- GRADE 40 rect- angular mesh	for pre- screening units	40 mm	Lower deck		6 mm	1 pc.	2289635
MR 110 R EVO	K016	1 - 9999	Dummy rubber	for pre- screening units		Lower deck			1 pc.	F20006960
			QM- GRADE 15 rect- angular mesh	for pre- screening units	15 mm	Lower deck		4 mm	1 pc.	2232158
			QM- GRADE 18 rect- angular mesh	for pre- screening units	18 mm	Lower deck		4 mm	1 pc.	2232159
			QM- GRADE 20 rect- angular mesh	for pre- screening units	20 mm	Lower deck		6 mm	1 pc.	2220614



WIRE MESH										
Series code	Serial code	Series range	Part	Version	Clear mesh size	Deck	Position	Wire diameter	Requirement	Part no.
MR 110 R EVO	K016	1 - 9999	QM-GRADE 25 rectangular mesh	for pre-screening units	25 mm	Lower deck		6 mm	1 pc.	M20000541
			QM-GRADE 30 rectangular mesh	for pre-screening units	30 mm	Lower deck		6 mm	1 pc.	2224928
			QM-GRADE 35 rectangular mesh	for pre-screening units	35 mm	Lower deck		8 mm	1 pc.	M20000543
			QM-GRADE 40 rectangular mesh	for pre-screening units	40 mm	Lower deck		8 mm	1 pc.	2232160
			QM-GRADE 45 rectangular mesh	for pre-screening units	45 mm	Lower deck		8 mm	1 pc.	2329434
			QM-GRADE 50 rectangular mesh	for pre-screening units	50 mm	Lower deck		10 mm	1 pc.	2329435
MR 110 Z EVO	K017	2 - 9999	Dummy rubber	for pre-screening units		Lower deck			1 pc.	F20003969
				for pre-screening units	10 mm	Lower deck		4 mm	1 pc.	M20001709
			QM-GRADE 10 rectangular mesh	for secondary screening units	10 mm	Upper deck - NSE	Screen section, large	4 mm	4 pc.	2234836
				for secondary screening units	10 mm	Upper deck - NSE	Screen section, small	4 mm	1 pc.	2234837

Original KLEEMANN  
**SCREENING**

WIRE MESH										
Series code	Serial code	Series range	Part	Version	Clear mesh size	Deck	Position	Wire diameter	Requirement	Part no.
MR 110 Z EVO	K017	2 - 9999	QM- GRADE 12 rect- angular mesh	for second- ary screen- ing units	12 mm	Upper deck - NSE	Screen section, small	4 mm	1 pc.	M20001523
				for second- ary screen- ing units	12 mm	Upper deck - NSE	Screen section, large	4 mm	4 pc.	M20001524
			QM- GRADE 15 rect- angular mesh	for second- ary screen- ing units	15 mm	Upper deck - NSE	Screen section, large	4 mm	4 pc.	M20001533
				for pre- screening units	15 mm	Lower deck		4 mm	1 pc.	M20001344
				for second- ary screen- ing units	15 mm	Upper deck - NSE	Screen section, small	4 mm	1 pc.	M20001534
			QM- GRADE 16 rect- angular mesh	for second- ary screen- ing units	16 mm	Upper deck - NSE	Screen section, large	4 mm	4 pc.	2220306
				for second- ary screen- ing units	16 mm	Upper deck - NSE	Screen section, small	4 mm	1 pc.	2220305
			QM- GRADE 18 rect- angular mesh	for pre- screening units	18 mm	Lower deck		4 mm	1 pc.	M20001398
				for second- ary screen- ing units	18 mm	Upper deck - NSE	Screen section, small	5 mm	1 pc.	2395289
				for second- ary screen- ing units	18 mm	Upper deck - NSE	Screen section, large	5 mm	4 pc.	2395288
			QM- GRADE 20 rect- angular mesh	for pre- screening units	20 mm	Lower deck		5 mm	1 pc.	M20001376
				for second- ary screen- ing units	20 mm	Upper deck - NSE	Screen section, small	5 mm	1 pc.	2234862
				for second- ary screen- ing units	20 mm	Upper deck - NSE	Screen section, large	5 mm	4 pc.	2234861



WIRE MESH										
Series code	Serial code	Series range	Part	Version	Clear mesh size	Deck	Position	Wire diameter	Requirement	Part no.
MR 110 Z EVO	K017	2 - 9999	QM- GRADE 22 rect- angular mesh	for second- ary screen- ing units	22 mm	Upper deck - NSE	Screen section, small	6 mm	1 pc.	2292816
				for pre- screening units	22 mm	Lower deck		6 mm	1 pc.	2410151
				for second- ary screen- ing units	22 mm	Upper deck - NSE	Screen section, large	6 mm	4 pc.	2292815
			QM- GRADE 25 rect- angular mesh	for second- ary screen- ing units	25 mm	Upper deck - NSE	Screen section, small	6 mm	1 pc.	M20001410
				for second- ary screen- ing units	25 mm	Upper deck - NSE	Screen section, large	6 mm	4 pc.	M20001411
				for pre- screening units	25 mm	Lower deck		6 mm	1 pc.	M20000800
			QM- GRADE 28 rect- angular mesh	for second- ary screen- ing units	28 mm	Upper deck - NSE	Screen section, small	6 mm	1 pc.	M20001531
				for second- ary screen- ing units	28 mm	Upper deck - NSE	Screen section, large	6 mm	4 pc.	M20001532
				for pre- screening units	28 mm	Lower deck		6 mm	1 pc.	2217706
			QM- GRADE 30 rect- angular mesh	for second- ary screen- ing units	30 mm	Upper deck - NSE	Screen section, small	8 mm	1 pc.	2234871
				for second- ary screen- ing units	30 mm	Upper deck - NSE	Screen section, large	8 mm	4 pc.	2234867
				for pre- screening units	30 mm	Lower deck		8 mm	1 pc.	M20001522

Original KLEEMANN  
**SCREENING**

WIRE MESH										
Series code	Serial code	Series range	Part	Version	Clear mesh size	Deck	Position	Wire diameter	Requirement	Part no.
MR 110 Z EVO	K017	2 - 9999	QM- GRADE 32 rect- angular mesh	for second- ary screen- ing units	32 mm	Upper deck - NSE	Screen section, large	6 mm	4 pc.	2292821
				for second- ary screen- ing units	32 mm	Upper deck - NSE	Screen section, small	6 mm	1 pc.	2292822
				for pre- screening units	32 mm	Lower deck		8 mm	1 pc.	M20000632
			QM- GRADE 35 rect- angular mesh	for second- ary screen- ing units	35 mm	Upper deck - NSE	Screen section, large	8 mm	4 pc.	2234878
				for second- ary screen- ing units	35 mm	Upper deck - NSE	Screen section, small	8 mm	1 pc.	2234880
				for pre- screening units	35 mm	Lower deck		8 mm	1 pc.	M20000315
			QM- GRADE 40 rect- angular mesh	for second- ary screen- ing units	40 mm	Upper deck - NSE	Screen section, large	8 mm	4 pc.	M20001405
				for second- ary screen- ing units	40 mm	Upper deck - NSE	Screen section, small	8 mm	1 pc.	M20001404
				for pre- screening units	40 mm	Lower deck		8 mm	1 pc.	M20000373
			QM- GRADE 45 rect- angular mesh	for second- ary screen- ing units	45 mm	Upper deck - NSE	Screen section, small	8 mm	1 pc.	M20001639
				for pre- screening units	45 mm	Lower deck		8 mm	1 pc.	M20000393
				for second- ary screen- ing units	45 mm	Upper deck - NSE	Screen section, large	8 mm	4 pc.	M20001640



WIRE MESH										
Series code	Serial code	Series range	Part	Version	Clear mesh size	Deck	Position	Wire diameter	Requirement	Part no.
MR 110 Z EVO	K017	2 - 9999	QM- GRADE 50 rect- angular mesh	for second- ary screen- ing units	50 mm	Upper deck - NSE	Screen section, small	10 mm	1 pc.	M20001369
				for pre- screening units	50 mm	Lower deck		10 mm	1 pc.	2234812
				for second- ary screen- ing units	50 mm	Upper deck - NSE	Screen section, large	10 mm	4 pc.	M20001370
			QM- GRADE 55 rect- angular mesh	for pre- screening units	55 mm	Lower deck		8 mm	1 pc.	M20001548
				for second- ary screen- ing units	55 mm	Upper deck - NSE	Screen section, large	10 mm	4 pc.	M20001571
				for second- ary screen- ing units	55 mm	Upper deck - NSE	Screen section, small	10 mm	1 pc.	M20001579
			QM- GRADE 60 rect- angular mesh	for second- ary screen- ing units	60 mm	Upper deck - NSE	Screen section, small	10 mm	1 pc.	M20001715
				for second- ary screen- ing units	60 mm	Upper deck - NSE	Screen section, large	10 mm	4 pc.	M20001716
			QM- GRADE 65 rect- angular mesh	for second- ary screen- ing units	65 mm	Upper deck - NSE	Screen section, large	10 mm	4 pc.	M20001529
				for second- ary screen- ing units	65 mm	Upper deck - NSE	Screen section, small	10 mm	1 pc.	M20001530
			QM- GRADE 70 rect- angular mesh	for second- ary screen- ing units	70 mm	Upper deck - NSE	Screen section, small	10 mm	1 pc.	M20001679
				for second- ary screen- ing units	70 mm	Upper deck - NSE	Screen section, large	10 mm	4 pc.	M20001678

Original KLEEMANN  
**SCREENING**

WIRE MESH													
Series code	Serial code	Series range	Part	Version	Clear mesh size	Deck	Position	Wire diameter	Requirement	Part no.			
MR 110 Z EVO	K017	2 - 9999	QM-GRADE 8 rectangular mesh	for secondary screening units	8 mm	Upper deck - NSE	Screen section, small	3 mm	1 pc.	2632147			
				for secondary screening units	8 mm	Upper deck - NSE	Screen section, large	3 mm	4 pc.	2632145			
			QM-GRADE 80 rectangular mesh	for secondary screening units	80 mm	Upper deck - NSE	Screen section, large	10 mm	4 pc.	2202449			
				for secondary screening units	80 mm	Upper deck - NSE	Screen section, small	10 mm	1 pc.	2202450			
			QM-GRADE 90 rectangular mesh	for secondary screening units	90 mm	Upper deck - NSE	Screen section, small	10 mm	1 pc.	2200098			
				for secondary screening units	90 mm	Upper deck - NSE	Screen section, large	10 mm	4 pc.	2200097			
			MR 110 EVO2	K018	1 - 9999	Dummy rubber	for pre-screening units		Lower deck			1 pc.	2351223
						QM-GRADE 10 rectangular mesh	for secondary screening units	10 mm	Upper deck - NSE	Screen section, large	4 mm	4 pc.	2234836
for secondary screening units	10 mm	Upper deck - NSE					Screen section, small	4 mm	1 pc.	2234837			
for pre-screening units	10 mm	Lower deck						4 mm	1 pc.	2335436			
QM-GRADE 12 rectangular mesh	for pre-screening units	12 mm				Lower deck		4 mm	1 pc.	2335438			
	for secondary screening units	12 mm				Upper deck - NSE	Screen section, small	4 mm	1 pc.	M20001523			
	for secondary screening units	12 mm				Upper deck - NSE	Screen section, large	4 mm	4 pc.	M20001524			





WIRE MESH										
Series code	Serial code	Series range	Part	Version	Clear mesh size	Deck	Position	Wire diameter	Requirement	Part no.
MR 110 EVO2	K018	1 - 9999	QM-GRADE 15 rectangular mesh	for secondary screening units	15 mm	Upper deck - NSE	Screen section, small	4 mm	1 pc.	M20001534
				for secondary screening units	15 mm	Upper deck - NSE	Screen section, large	4 mm	4 pc.	M20001533
				for pre-screening units	15 mm	Lower deck		4 mm	1 pc.	2335441
			QM-GRADE 16 rectangular mesh	for secondary screening units	16 mm	Upper deck - NSE	Screen section, small	4 mm	1 pc.	2220305
				for secondary screening units	16 mm	Upper deck - NSE	Screen section, large	4 mm	4 pc.	2220306
			QM-GRADE 18 rectangular mesh	for secondary screening units	18 mm	Upper deck - NSE	Screen section, large	5 mm	4 pc.	2395288
				for secondary screening units	18 mm	Upper deck - NSE	Screen section, small	5 mm	1 pc.	2395289
			QM-GRADE 20 rectangular mesh	for pre-screening units	20 mm	Lower deck		5 mm	1 pc.	2335444
				for secondary screening units	20 mm	Upper deck - NSE	Screen section, small	5 mm	1 pc.	2234862
				for secondary screening units	20 mm	Upper deck - NSE	Screen section, large	5 mm	4 pc.	2234861
			QM-GRADE 22 rectangular mesh	for secondary screening units	22 mm	Upper deck - NSE	Screen section, small	6 mm	1 pc.	2292816
				for secondary screening units	22 mm	Upper deck - NSE	Screen section, large	6 mm	4 pc.	2292815

Original KLEEMANN  
**SCREENING**

WIRE MESH										
Series code	Serial code	Series range	Part	Version	Clear mesh size	Deck	Position	Wire diameter	Requirement	Part no.
MR 110 EVO2	K018	1 - 9999	QM-GRADE 25 rectangular mesh	for pre-screening units	25 mm	Lower deck		6 mm	1 pc.	2335446
				for secondary screening units	25 mm	Upper deck - NSE	Screen section, large	6 mm	4 pc.	M20001411
				for secondary screening units	25 mm	Upper deck - NSE	Screen section, small	6 mm	1 pc.	M20001410
			QM-GRADE 28 rectangular mesh	for secondary screening units	28 mm	Upper deck - NSE	Screen section, large	6 mm	4 pc.	M20001532
				for secondary screening units	28 mm	Upper deck - NSE	Screen section, small	6 mm	1 pc.	M20001531
			QM-GRADE 30 rectangular mesh	for secondary screening units	30 mm	Upper deck - NSE	Screen section, small	8 mm	1 pc.	2234871
				for secondary screening units	30 mm	Upper deck - NSE	Screen section, large	8 mm	4 pc.	2234867
				for pre-screening units	30 mm	Lower deck		7 mm	1 pc.	2335448
			QM-GRADE 32 rectangular mesh	for pre-screening units	32 mm	Lower deck		8 mm	1 pc.	2335450
				for secondary screening units	32 mm	Upper deck - NSE	Screen section, large	6 mm	4 pc.	2292821
				for secondary screening units	32 mm	Upper deck - NSE	Screen section, small	6 mm	1 pc.	2292822
			QM-GRADE 35 rectangular mesh	for secondary screening units	35 mm	Upper deck - NSE	Screen section, small	8 mm	1 pc.	2234880
				for secondary screening units	35 mm	Upper deck - NSE	Screen section, large	8 mm	4 pc.	2234878



WIRE MESH										
Series code	Serial code	Series range	Part	Version	Clear mesh size	Deck	Position	Wire diameter	Requirement	Part no.
MR 110 EVO2	K018	1 - 9999	QM-GRADE 35 rectangular mesh	for pre-screening units	35 mm	Lower deck		8 mm	1 pc.	2335453
			QM-GRADE 40 rectangular mesh	for secondary screening units	40 mm	Upper deck - NSE	Screen section, small	8 mm	1 pc.	M20001404
				for secondary screening units	40 mm	Upper deck - NSE	Screen section, large	8 mm	4 pc.	M20001405
				for pre-screening units	40 mm	Lower deck		8 mm	1 pc.	2335455
			QM-GRADE 45 rectangular mesh	for secondary screening units	45 mm	Upper deck - NSE	Screen section, large	8 mm	4 pc.	M20001640
				for secondary screening units	45 mm	Upper deck - NSE	Screen section, small	8 mm	1 pc.	M20001639
				for pre-screening units	45 mm	Lower deck		8 mm	1 pc.	2335457
			QM-GRADE 50 rectangular mesh	for secondary screening units	50 mm	Upper deck - NSE	Screen section, small	10 mm	1 pc.	M20001369
				for secondary screening units	50 mm	Upper deck - NSE	Screen section, large	10 mm	4 pc.	M20001370
				for pre-screening units	50 mm	Lower deck		8 mm	1 pc.	2335459
			QM-GRADE 55 rectangular mesh	for secondary screening units	55 mm	Upper deck - NSE	Screen section, large	10 mm	4 pc.	M20001571
				for secondary screening units	55 mm	Upper deck - NSE	Screen section, small	10 mm	1 pc.	M20001579

Original KLEEMANN  
**SCREENING**

WIRE MESH										
Series code	Serial code	Series range	Part	Version	Clear mesh size	Deck	Position	Wire diameter	Requirement	Part no.
MR 110 EVO2	K018	1 - 9999	QM- GRADE 55 rect- angular mesh	for pre- screening units	55 mm	Lower deck		8 mm	1 pc.	2335461
			QM- GRADE 60 rect- angular mesh	for second- ary screen- ing units	60 mm	Upper deck - NSE	Screen section, small	10 mm	1 pc.	M20001715
				for second- ary screen- ing units	60 mm	Upper deck - NSE	Screen section, large	10 mm	4 pc.	M20001716
			QM- GRADE 65 rect- angular mesh	for second- ary screen- ing units	65 mm	Upper deck - NSE	Screen section, large	10 mm	4 pc.	M20001529
				for second- ary screen- ing units	65 mm	Upper deck - NSE	Screen section, small	10 mm	1 pc.	M20001530
			QM- GRADE 70 rect- angular mesh	for second- ary screen- ing units	70 mm	Upper deck - NSE	Screen section, large	10 mm	4 pc.	M20001678
				for second- ary screen- ing units	70 mm	Upper deck - NSE	Screen section, small	10 mm	1 pc.	M20001679
			QM- GRADE 8 rect- angular mesh	for second- ary screen- ing units	8 mm	Upper deck - NSE	Screen section, small	3 mm	1 pc.	2632147
				for second- ary screen- ing units	8 mm	Upper deck - NSE	Screen section, large	3 mm	4 pc.	2632145
			QM- GRADE 80 rect- angular mesh	for second- ary screen- ing units	80 mm	Upper deck - NSE	Screen section, large	10 mm	4 pc.	2202449
				for second- ary screen- ing units	80 mm	Upper deck - NSE	Screen section, small	10 mm	1 pc.	2202450



WIRE MESH										
Series code	Serial code	Series range	Part	Version	Clear mesh size	Deck	Position	Wire diameter	Requirement	Part no.
MR 110 EVO2	K018	1 - 9999	QM- GRADE 90 rect- angular mesh	for second- ary screen- ing units	90 mm	Upper deck - NSE	Screen section, small	10 mm	1 pc.	2200098
				for second- ary screen- ing units	90 mm	Upper deck - NSE	Screen section, large	10 mm	4 pc.	2200097
MR 110 i EVO2	K019	1 - 9999	QM- GRADE 10 rect- angular mesh	Dummy rubber			Lower deck		1 pc.	2351223
				for pre- screening units	10 mm	Lower deck		4 mm	1 pc.	2335436
				for second- ary screen- ing units	10 mm	Upper deck - NSE	Screen section, large	4 mm	4 pc.	2234836
				for second- ary screen- ing units	10 mm	Upper deck - NSE	Screen section, small	4 mm	1 pc.	2234837
				for pre- screening units	12 mm	Lower deck		4 mm	1 pc.	2335438
				for second- ary screen- ing units	12 mm	Upper deck - NSE	Screen section, large	4 mm	4 pc.	M20001524
				for second- ary screen- ing units	12 mm	Upper deck - NSE	Screen section, small	4 mm	1 pc.	M20001523
				for pre- screening units	15 mm	Lower deck		4 mm	1 pc.	2335441
				for second- ary screen- ing units	15 mm	Upper deck - NSE	Screen section, small	4 mm	1 pc.	M20001534
				for second- ary screen- ing units	15 mm	Upper deck - NSE	Screen section, large	4 mm	4 pc.	M20001533

Original KLEEMANN  
**SCREENING**

WIRE MESH										
Series code	Serial code	Series range	Part	Version	Clear mesh size	Deck	Position	Wire diameter	Requirement	Part no.
MR 110 iEVO2	K019	1 - 9999	QM- GRADE 16 rect- angular mesh	for second- ary screen- ing units	16 mm	Upper deck - NSE	Screen section, large	4 mm	4 pc.	2220306
				for second- ary screen- ing units	16 mm	Upper deck - NSE	Screen section, small	4 mm	1 pc.	2220305
			QM- GRADE 18 rect- angular mesh	for second- ary screen- ing units	18 mm	Upper deck - NSE	Screen section, small	5 mm	1 pc.	2395289
				for second- ary screen- ing units	18 mm	Upper deck - NSE	Screen section, large	5 mm	4 pc.	2395288
			QM- GRADE 20 rect- angular mesh	for pre- screening units	20 mm	Lower deck		5 mm	1 pc.	2335444
				for second- ary screen- ing units	20 mm	Upper deck - NSE	Screen section, large	5 mm	4 pc.	2234861
				for second- ary screen- ing units	20 mm	Upper deck - NSE	Screen section, small	5 mm	1 pc.	2234862
			QM- GRADE 22 rect- angular mesh	for second- ary screen- ing units	22 mm	Upper deck - NSE	Screen section, small	6 mm	1 pc.	2292816
				for second- ary screen- ing units	22 mm	Upper deck - NSE	Screen section, large	6 mm	4 pc.	2292815
			QM- GRADE 25 rect- angular mesh	for pre- screening units	25 mm	Lower deck		6 mm	1 pc.	2335446
				for second- ary screen- ing units	25 mm	Upper deck - NSE	Screen section, large	6 mm	4 pc.	M20001411
				for second- ary screen- ing units	25 mm	Upper deck - NSE	Screen section, small	6 mm	1 pc.	M20001410



WIRE MESH										
Series code	Serial code	Series range	Part	Version	Clear mesh size	Deck	Position	Wire diameter	Requirement	Part no.
MR 110 i EVO2	K019	1 - 9999	QM- GRADE 28 rect- angular mesh	for second- ary screen- ing units	28 mm	Upper deck - NSE	Screen section, large	6 mm	4 pc.	M20001532
				for second- ary screen- ing units	28 mm	Upper deck - NSE	Screen section, small	6 mm	1 pc.	M20001531
			QM- GRADE 30 rect- angular mesh	for pre- screening units	30 mm	Lower deck		7 mm	1 pc.	2335448
				for second- ary screen- ing units	30 mm	Upper deck - NSE	Screen section, small	8 mm	1 pc.	2234871
				for second- ary screen- ing units	30 mm	Upper deck - NSE	Screen section, large	8 mm	4 pc.	2234867
			QM- GRADE 32 rect- angular mesh	for second- ary screen- ing units	32 mm	Upper deck - NSE	Screen section, large	6 mm	4 pc.	2292821
				for pre- screening units	32 mm	Lower deck		8 mm	1 pc.	2335450
				for second- ary screen- ing units	32 mm	Upper deck - NSE	Screen section, small	6 mm	1 pc.	2292822
			QM- GRADE 35 rect- angular mesh	for second- ary screen- ing units	35 mm	Upper deck - NSE	Screen section, small	8 mm	1 pc.	2234880
				for second- ary screen- ing units	35 mm	Upper deck - NSE	Screen section, large	8 mm	4 pc.	2234878
				for pre- screening units	35 mm	Lower deck		8 mm	1 pc.	2335453
			QM- GRADE 40 rect- angular mesh	for second- ary screen- ing units	40 mm	Upper deck - NSE	Screen section, small	8 mm	1 pc.	M20001404
				for pre- screening units	40 mm	Lower deck		8 mm	1 pc.	2335455

Original KLEEMANN  
**SCREENING**

WIRE MESH										
Series code	Serial code	Series range	Part	Version	Clear mesh size	Deck	Position	Wire diameter	Requirement	Part no.
MR 110 i EVO2	K019	1 - 9999	QM-GRADE 40 rectangular mesh	for secondary screening units	40 mm	Upper deck - NSE	Screen section, large	8 mm	4 pc.	M20001405
				for secondary screening units	45 mm	Upper deck - NSE	Screen section, small	8 mm	1 pc.	M20001639
			QM-GRADE 45 rectangular mesh	for secondary screening units	45 mm	Upper deck - NSE	Screen section, large	8 mm	4 pc.	M20001640
				for pre-screening units	45 mm	Lower deck		8 mm	1 pc.	2335457
				for secondary screening units	50 mm	Upper deck - NSE	Screen section, small	10 mm	1 pc.	M20001369
			QM-GRADE 50 rectangular mesh	for pre-screening units	50 mm	Lower deck		8 mm	1 pc.	2335459
				for secondary screening units	50 mm	Upper deck - NSE	Screen section, large	10 mm	4 pc.	M20001370
				for secondary screening units	55 mm	Upper deck - NSE	Screen section, small	10 mm	1 pc.	M20001579
			QM-GRADE 55 rectangular mesh	for secondary screening units	55 mm	Upper deck - NSE	Screen section, large	10 mm	4 pc.	M20001571
				for pre-screening units	55 mm	Lower deck		8 mm	1 pc.	2335461
				for secondary screening units	60 mm	Upper deck - NSE	Screen section, small	10 mm	1 pc.	M20001715
			QM-GRADE 60 rectangular mesh	for secondary screening units	60 mm	Upper deck - NSE	Screen section, large	10 mm	4 pc.	M20001716





WIRE MESH													
Series code	Serial code	Series range	Part	Version	Clear mesh size	Deck	Position	Wire diameter	Requirement	Part no.			
MR 110 i EVO2	K019	1 - 9999	QM-GRADE 65 rectangular mesh	for secondary screening units	65 mm	Upper deck - NSE	Screen section, large	10 mm	4 pc.	M20001529			
				for secondary screening units	65 mm	Upper deck - NSE	Screen section, small	10 mm	1 pc.	M20001530			
			QM-GRADE 70 rectangular mesh	for secondary screening units	70 mm	Upper deck - NSE	Screen section, large	10 mm	4 pc.	M20001678			
				for secondary screening units	70 mm	Upper deck - NSE	Screen section, small	10 mm	1 pc.	M20001679			
			QM-GRADE 8 rectangular mesh	for secondary screening units	8 mm	Upper deck - NSE	Screen section, large	3 mm	4 pc.	2632145			
				for secondary screening units	8 mm	Upper deck - NSE	Screen section, small	3 mm	1 pc.	2632147			
			QM-GRADE 80 rectangular mesh	for secondary screening units	80 mm	Upper deck - NSE	Screen section, small	10 mm	1 pc.	2202450			
				for secondary screening units	80 mm	Upper deck - NSE	Screen section, large	10 mm	4 pc.	2202449			
			QM-GRADE 90 rectangular mesh	for secondary screening units	90 mm	Upper deck - NSE	Screen section, small	10 mm	1 pc.	2200098			
				for secondary screening units	90 mm	Upper deck - NSE	Screen section, large	10 mm	4 pc.	2200097			
			MR 122 PRO	K062	1 - 9999	Dummy rubber	for pre-screening units		Lower deck			1 pc.	F10285544
						QM-GRADE 10 rectangular mesh	for pre-screening units	10 mm	Lower deck		4 mm	1 pc.	M10010237

Original KLEEMANN  
**SCREENING**

WIRE MESH										
Series code	Serial code	Series range	Part	Version	Clear mesh size	Deck	Position	Wire diameter	Requirement	Part no.
MR 122 PRO	K062	1 - 9999	QM- GRADE 12 rect- angular mesh	for pre- screening units	12 mm	Lower deck		4 mm	1 pc.	2234790
			QM- GRADE 15 rect- angular mesh	for pre- screening units	15 mm	Lower deck		4 mm	1 pc.	M10013885
			QM- GRADE 16 rect- angular mesh	for pre- screening units	16 mm	Lower deck		4 mm	1 pc.	M10007592
			QM- GRADE 18 rect- angular mesh	for pre- screening units	18 mm	Lower deck		4 mm	1 pc.	M10007005
			QM- GRADE 20 rect- angular mesh	for pre- screening units	20 mm	Lower deck		5 mm	1 pc.	M10007905
			QM- GRADE 22 rect- angular mesh	for pre- screening units	22 mm	Lower deck		6 mm	1 pc.	M10005821
			QM- GRADE 25 rect- angular mesh	for pre- screening units	25 mm	Lower deck		6 mm	1 pc.	M10010004
			QM- GRADE 28 rect- angular mesh	for pre- screening units	28 mm	Lower deck		6.3 mm	1 pc.	M10009743



WIRE MESH										
Series code	Serial code	Series range	Part	Version	Clear mesh size	Deck	Position	Wire diameter	Requirement	Part no.
MR 122 PRO	K062	1 - 9999	QM- GRADE 30 rect- angular mesh	for pre- screening units	30 mm	Lower deck		8 mm	1 pc.	M20000033
			QM- GRADE 32 rect- angular mesh	for pre- screening units	32 mm	Lower deck		8 mm	1 pc.	M10008122
			QM- GRADE 35 rect- angular mesh	for pre- screening units	35 mm	Lower deck		8 mm	1 pc.	M10004739
			QM- GRADE 40 rect- angular mesh	for pre- screening units	40 mm	Lower deck		8 mm	1 pc.	M10004738
			QM- GRADE 45 rect- angular mesh	for pre- screening units	45 mm	Lower deck		8 mm	1 pc.	M10006092
			QM- GRADE 50 rect- angular mesh	for pre- screening units	50 mm	Lower deck		10 mm	1 pc.	M10012445
			QM- GRADE 55 rect- angular mesh	for pre- screening units	55 mm	Lower deck		10 mm	1 pc.	M10016328
			QM- GRADE 60 rect- angular mesh	for pre- screening units	60 mm	Lower deck		10 mm	1 pc.	M20000339

Original KLEEMANN  
**SCREENING**

WIRE MESH										
Series code	Serial code	Series range	Part	Version	Clear mesh size	Deck	Position	Wire diameter	Requirement	Part no.
MR 122 PRO	K062	1 - 9999	QM- GRADE 65 rect- angular mesh	for pre- screening units	65 mm	Lower deck		10 mm	1 pc.	M20000040
			QM- GRADE 8 rect- angular mesh	for pre- screening units	8 mm	Lower deck		4 mm	1 pc.	M20000952
MR 130 R EVO	K023	200 - 9999	QM- GRADE 12 rect- angular mesh	for second- ary screen- ing units & Mobiscreen series	12 mm	Upper deck - NSE	Screen section, large	4 mm	4 pc.	2448849
			QM- GRADE 13 rect- angular mesh	for second- ary screen- ing units	13 mm	Upper deck - NSE	Screen section, large	4 mm	4 pc.	2209721
				for second- ary screen- ing units	13 mm	Upper deck - NSE	Screen section, small	4 mm	1 pc.	2215644
			QM- GRADE 20 rect- angular mesh	for pre- screening units	20 mm	Lower deck		5 mm	1 pc.	M20001682
			QM- GRADE 25 rect- angular mesh	for pre- screening units	25 mm	Lower deck		6 mm	1 pc.	M20001683
			QM- GRADE 30 rect- angular mesh	for second- ary screen- ing units	30 mm	Upper deck - NSE	Screen section, small	7 mm	1 pc.	M20001592
				for second- ary screen- ing units	30 mm	Upper deck - NSE	Screen section, large	7 mm	1 pc.	M20001593
				for pre- screening units	30 mm	Lower deck		6 mm	1 pc.	M20001684



WIRE MESH										
Series code	Serial code	Series range	Part	Version	Clear mesh size	Deck	Position	Wire diameter	Requirement	Part no.
MR 130 R EVO	K023	200 - 9999	QM- GRADE 35 rect- angular mesh	for pre- screening units	35 mm	Lower deck		8 mm	1 pc.	M20001685
MR 130 Z	K024	1 - 299	Dummy rubber	for pre- screening units		Lower deck			1 pc.	F10285544
			QM- GRADE 10 rect- angular mesh	for pre- screening units	10 mm	Lower deck		4 mm	1 pc.	M10010237
			QM- GRADE 12 rect- angular mesh	for pre- screening units	12 mm	Lower deck		4 mm	1 pc.	2234790
			QM- GRADE 15 rect- angular mesh	for pre- screening units	15 mm	Lower deck		4 mm	1 pc.	M10013885
			QM- GRADE 16 rect- angular mesh	for second- ary screen- ing units	16 mm	Upper deck - NSE	Screen section, large	4 mm	2 pc.	M10020584
				for pre- screening units	16 mm	Lower deck		4 mm	1 pc.	M10007592
			QM- GRADE 18 rect- angular mesh	for pre- screening units	18 mm	Lower deck		4 mm	1 pc.	M10007005
			QM- GRADE 20 rect- angular mesh	for second- ary screen- ing units	20 mm	Upper deck - NSE	Screen section, large	6 mm	2 pc.	M10016387
				for pre- screening units	20 mm	Lower deck		5 mm	1 pc.	M10007905

Original KLEEMANN  
**SCREENING**

WIRE MESH										
Series code	Serial code	Series range	Part	Version	Clear mesh size	Deck	Position	Wire diameter	Requirement	Part no.
MR 130 Z	K024	1 - 299	QM- GRADE 22 rect- angular mesh	for pre- screening units	22 mm	Lower deck		6 mm	1 pc.	M10005821
			QM- GRADE 25 rect- angular mesh	for pre- screening units	25 mm	Lower deck		6 mm	1 pc.	M10010004
			QM- GRADE 28 rect- angular mesh	for second- ary screen- ing units	28 mm	Upper deck - NSE	Screen section, large	6 mm	2 pc.	M20000089
				for pre- screening units	28 mm	Lower deck		6.3 mm	1 pc.	M10009743
			QM- GRADE 30 rect- angular mesh	for second- ary screen- ing units	30 mm	Upper deck - NSE	Screen section, large	6 mm	2 pc.	M20000082
				for pre- screening units	30 mm	Lower deck		8 mm	1 pc.	M20000033
			QM- GRADE 32 rect- angular mesh	for pre- screening units	32 mm	Lower deck		8 mm	1 pc.	M10008122
			QM- GRADE 35 rect- angular mesh	for pre- screening units	35 mm	Lower deck		8 mm	1 pc.	M10004739
			QM- GRADE 40 rect- angular mesh	for second- ary screen- ing units	40 mm	Upper deck - NSE	Screen section, large	8 mm	2 pc.	M10016477
				for pre- screening units	40 mm	Lower deck		8 mm	1 pc.	M10004738



WIRE MESH										
Series code	Serial code	Series range	Part	Version	Clear mesh size	Deck	Position	Wire diameter	Requirement	Part no.
MR 130 Z	K024	1 - 299	QM-GRADE 45 rectangular mesh	for pre-screening units	45 mm	Lower deck		8 mm	1 pc.	M10006092
			QM-GRADE 50 rectangular mesh	for secondary screening units	50 mm	Upper deck - NSE	Screen section, large	10 mm	2 pc.	M10017445
				for pre-screening units	50 mm	Lower deck		10 mm	1 pc.	M10012445
			QM-GRADE 55 rectangular mesh	for secondary screening units	55 mm	Upper deck - NSE	Screen section, large	10 mm	2 pc.	M10016650
				for pre-screening units	55 mm	Lower deck		10 mm	1 pc.	M10016328
			QM-GRADE 60 rectangular mesh	for pre-screening units	60 mm	Lower deck		10 mm	1 pc.	M20000339
				for secondary screening units	60 mm	Upper deck - NSE	Screen section, large	10 mm	2 pc.	M10016275
			QM-GRADE 65 rectangular mesh	for pre-screening units	65 mm	Lower deck		10 mm	1 pc.	M20000040
			QM-GRADE 8 rectangular mesh	for pre-screening units	8 mm	Lower deck		4 mm	1 pc.	M20000952
MR 130 Z EVO	K024	301 - 9999	Dummy rubber	for pre-screening units		Lower deck			1 pc.	F10285544

Original KLEEMANN  
**SCREENING**

WIRE MESH										
Series code	Serial code	Series range	Part	Version	Clear mesh size	Deck	Position	Wire diameter	Requirement	Part no.
MR 130 Z EVO	K024	301 - 9999	QM- GRADE 10 rect- angular mesh	for pre- screening units	10 mm	Lower deck		4 mm	1 pc.	M10010237
				for second- ary screen- ing units	10 mm	Upper deck - NSE	Screen section, small	4 mm	1 pc.	2208582
				For use with MOBI- SCREEN series and secondary screening units	10 mm	Upper deck - NSE	Screen section, large	4 mm	4 pc.	2208580
			QM- GRADE 12 rect- angular mesh	for second- ary screen- ing units & Mobiscreen series	12 mm	Upper deck - NSE	Screen section, large	4 mm	4 pc.	2448849
				for second- ary screen- ing units	12 mm	Upper deck - NSE	Screen section, small	4 mm	1 pc.	2234825
				for pre- screening units	12 mm	Lower deck		4 mm	1 pc.	2234790
			QM- GRADE 15 rect- angular mesh	for pre- screening units	15 mm	Lower deck		4 mm	1 pc.	M10013885
				for second- ary screen- ing units	15 mm	Upper deck - NSE	Screen section, small	4 mm	1 pc.	2212430
				for second- ary screen- ing units	15 mm	Upper deck - NSE	Screen section, large	4 mm	4 pc.	2212424
			QM- GRADE 16 rect- angular mesh	for second- ary screen- ing units	16 mm	Upper deck - NSE	Screen section, large	4 mm	4 pc.	M10006857
				for second- ary screen- ing units	16 mm	Upper deck - NSE	Screen section, small	4 mm	1 pc.	M20001562





WIRE MESH										
Series code	Serial code	Series range	Part	Version	Clear mesh size	Deck	Position	Wire diameter	Requirement	Part no.
MR 130 Z EVO	K024	301 - 9999	QM-GRADE 16 rectangular mesh	for pre-screening units	16 mm	Lower deck		4 mm	1 pc.	M10007592
				for pre-screening units	18 mm	Lower deck		4 mm	1 pc.	M10007005
			QM-GRADE 18 rectangular mesh	for secondary screening units	18 mm	Upper deck - NSE	Screen section, large	4 mm	4 pc.	2193517
				for secondary screening units	18 mm	Upper deck - NSE	Screen section, small	4 mm	1 pc.	2193527
				for pre-screening units	20 mm	Lower deck		5 mm	1 pc.	M10007905
			QM-GRADE 20 rectangular mesh	for secondary screening units	20 mm	Upper deck - NSE	Screen section, small	5 mm	1 pc.	M20001561
				For use with MOBI-SCREEN series and secondary screening units	20 mm	Upper deck - NSE	Screen section, large	5 mm	4 pc.	M10003491
				for secondary screening units	22 mm	Upper deck - NSE	Screen section, small	5 mm	1 pc.	2215293
			QM-GRADE 22 rectangular mesh	for secondary screening units	22 mm	Upper deck - NSE	Screen section, large	5 mm	4 pc.	M10004471
				for pre-screening units	22 mm	Lower deck		6 mm	1 pc.	M10005821

Original KLEEMANN  
**SCREENING**

WIRE MESH										
Series code	Serial code	Series range	Part	Version	Clear mesh size	Deck	Position	Wire diameter	Requirement	Part no.
MR 130 Z EVO	K024	301 - 9999	QM- GRADE 25 rect- angular mesh	for pre- screening units	25 mm	Lower deck		6 mm	1 pc.	M10010004
				For use with MOBI- SCREEN series and secondary screening units	25 mm	Upper deck - NSE	Screen section, large	6 mm	4 pc.	M20001551
				for second- ary screen- ing units	25 mm	Upper deck - NSE	Screen section, small	6 mm	1 pc.	M20001552
			QM- GRADE 28 rect- angular mesh	For use with MOBI- SCREEN series and secondary screening units	28 mm	Upper deck - NSE	Screen section, large	6 mm	4 pc.	M20001713
				for pre- screening units	28 mm	Lower deck		6.3 mm	1 pc.	M10009743
				for second- ary screen- ing units	28 mm	Upper deck - NSE	Screen section, small	6 mm	1 pc.	M20001714
			QM- GRADE 30 rect- angular mesh	for second- ary screen- ing units	30 mm	Upper deck - NSE	Screen section, small	7 mm	1 pc.	2234480
				For use with MOBI- SCREEN series and secondary screening units	30 mm	Upper deck - NSE	Screen section, large	7 mm	4 pc.	2234476
				for pre- screening units	30 mm	Lower deck		8 mm	1 pc.	M20000033



WIRE MESH										
Series code	Serial code	Series range	Part	Version	Clear mesh size	Deck	Position	Wire diameter	Requirement	Part no.
MR 130 Z EVO	K024	301 - 9999	QM- GRADE 32 rect- angular mesh	for pre- screening units	32 mm	Lower deck		8 mm	1 pc.	M10008122
				for second- ary screen- ing units	32 mm	Upper deck - NSE	Screen section, large	7 mm	4 pc.	M20001749
				for second- ary screen- ing units	32 mm	Upper deck - NSE	Screen section, small	7 mm	1 pc.	M20001750
			QM- GRADE 35 rect- angular mesh	for pre- screening units	35 mm	Lower deck		8 mm	1 pc.	M10004739
				for second- ary screen- ing units	35 mm	Upper deck - NSE	Screen section, small	8 mm	1 pc.	M20001254
				for second- ary screen- ing units	35 mm	Upper deck - NSE	Screen section, large	8 mm	4 pc.	M10003179
			QM- GRADE 40 rect- angular mesh	For use with MOBI- SCREEN series and secondary screening units	40 mm	Upper deck - NSE	Screen section, large	8 mm	4 pc.	M10005149
				for second- ary screen- ing units	40 mm	Upper deck - NSE	Screen section, small	8 mm	1 pc.	M20000795
				for pre- screening units	40 mm	Lower deck		8 mm	1 pc.	M10004738
			QM- GRADE 45 rect- angular mesh	For use with MOBI- SCREEN series and secondary screening units	45 mm	Upper deck - NSE	Screen section, large	8 mm	4 pc.	M20001595
				for pre- screening units	45 mm	Lower deck		8 mm	1 pc.	M10006092

Original KLEEMANN  
**SCREENING**

WIRE MESH										
Series code	Serial code	Series range	Part	Version	Clear mesh size	Deck	Position	Wire diameter	Requirement	Part no.
MR 130 Z EVO	K024	301 - 9999	QM-GRADE 45 rectangular mesh	for secondary screening units	45 mm	Upper deck - NSE	Screen section, small	8 mm	1 pc.	M20001596
				for pre-screening units	50 mm	Lower deck		10 mm	1 pc.	M10012445
			QM-GRADE 50 rectangular mesh	for secondary screening units	50 mm	Upper deck - NSE	Screen section, small	10 mm	1 pc.	M20001558
				For use with MOBI-SCREEN series and secondary screening units	50 mm	Upper deck - NSE	Screen section, large	10 mm	4 pc.	M20001298
				for pre-screening units	55 mm	Lower deck		10 mm	1 pc.	M10016328
			QM-GRADE 55 rectangular mesh	for secondary screening units	55 mm	Upper deck - NSE	Screen section, small	10 mm	1 pc.	M20001554
				For use with MOBI-SCREEN series and secondary screening units	55 mm	Upper deck - NSE	Screen section, large	10 mm	4 pc.	M20001553
			QM-GRADE 60 rectangular mesh	For use with MOBI-SCREEN series and secondary screening units	60 mm	Upper deck - NSE	Screen section, large	10 mm	4 pc.	M20001555
				for secondary screening units	60 mm	Upper deck - NSE	Screen section, small	10 mm	1 pc.	M20001556



WIRE MESH										
Series code	Serial code	Series range	Part	Version	Clear mesh size	Deck	Position	Wire diameter	Requirement	Part no.
MR 130 Z EVO	K024	301 - 9999	QM-GRADE 60 rectangular mesh	for pre-screening units	60 mm	Lower deck		10 mm	1 pc.	M20000339
				for pre-screening units	65 mm	Lower deck		10 mm	1 pc.	M20000040
			QM-GRADE 65 rectangular mesh	For use with MOBI-SCREEN series and secondary screening units	65 mm	Upper deck - NSE	Screen section, large	10 mm	4 pc.	M10010425
				for secondary screening units	65 mm	Upper deck - NSE	Screen section, small	10 mm	1 pc.	M20001560
				for secondary screening units	70 mm	Upper deck - NSE	Screen section, small	10 mm	1 pc.	M20001753
			QM-GRADE 70 rectangular mesh	For use with MOBI-SCREEN series and secondary screening units	70 mm	Upper deck - NSE	Screen section, large	10 mm	4 pc.	M20001752
				for secondary screening units	8 mm	Upper deck - NSE	Screen section, small	3 mm	1 pc.	2348798
				for pre-screening units	8 mm	Lower deck		4 mm	1 pc.	M20000952
				For use with MOBI-SCREEN series and secondary screening units	8 mm	Upper deck - NSE	Screen section, large	3 mm	4 pc.	2348799



Original KLEEMANN  
**SCREENING**

WIRE MESH										
Series code	Serial code	Series range	Part	Version	Clear mesh size	Deck	Position	Wire diameter	Requirement	Part no.
MR 130 Z EVO	K024	301 - 9999	QM- GRADE 80 rect- angular mesh	for second- ary screen- ing units	80 mm	Upper deck - NSE	Screen section, small	10 mm	1 pc.	2202979
				for second- ary screen- ing units	80 mm	Upper deck - NSE	Screen section, large	10 mm	4 pc.	2202978
			QM- GRADE 90 rect- angular mesh	for second- ary screen- ing units	90 mm	Upper deck - NSE	Screen section, large	10 mm	4 pc.	2192479
				for second- ary screen- ing units	90 mm	Upper deck - NSE	Screen section, small	10 mm	1 pc.	2192481
MR 130 EVO2	K077	1 - 9999	Dummy rubber	for pre- screening units		Lower deck			1 pc.	2350858
			QM- GRADE 10 rect- angular mesh	for second- ary screen- ing units	10 mm	Upper deck - NSE	Screen section, small	4 mm	1 pc.	2208582
				For use with MOBI- SCREEN series and secondary screening units	10 mm	Upper deck - NSE	Screen section, large	4 mm	4 pc.	2208580
				for pre- screening units	10 mm	Lower deck		4 mm	1 pc.	2341115
			QM- GRADE 12 rect- angular mesh	for pre- screening units	12 mm	Lower deck		4 mm	1 pc.	2298433
				for second- ary screen- ing units	12 mm	Upper deck - NSE	Screen section, small	4 mm	1 pc.	2234825
				for second- ary screen- ing units & Mobiscreen series	12 mm	Upper deck - NSE	Screen section, large	4 mm	4 pc.	2448849



WIRE MESH										
Series code	Serial code	Series range	Part	Version	Clear mesh size	Deck	Position	Wire diameter	Requirement	Part no.
MR 130 EVO2	K077	1 - 9999	QM- GRADE 15 rect- angular mesh	for pre- screening units	15 mm	Lower deck		4 mm	1 pc.	2341117
				for second- ary screen- ing units	15 mm	Upper deck - NSE	Screen section, large	4 mm	4 pc.	2212424
				for second- ary screen- ing units	15 mm	Upper deck - NSE	Screen section, small	4 mm	1 pc.	2212430
			QM- GRADE 16 rect- angular mesh	for second- ary screen- ing units	16 mm	Upper deck - NSE	Screen section, small	4 mm	1 pc.	M20001562
				for second- ary screen- ing units	16 mm	Upper deck - NSE	Screen section, large	4 mm	4 pc.	M10006857
			QM- GRADE 18 rect- angular mesh	for second- ary screen- ing units	18 mm	Upper deck - NSE	Screen section, large	4 mm	4 pc.	2193517
				for second- ary screen- ing units	18 mm	Upper deck - NSE	Screen section, small	4 mm	1 pc.	2193527
				for pre- screening units	18 mm	Lower deck		6 mm	1 pc.	2341118
			QM- GRADE 20 rect- angular mesh	for pre- screening units	20 mm	Lower deck		6 mm	1 pc.	2341119
				for second- ary screen- ing units	20 mm	Upper deck - NSE	Screen section, small	5 mm	1 pc.	M20001561
				For use with MOBI- SCREEN series and secondary screening units	20 mm	Upper deck - NSE	Screen section, large	5 mm	4 pc.	M10003491

Original KLEEMANN  
**SCREENING**

WIRE MESH										
Series code	Serial code	Series range	Part	Version	Clear mesh size	Deck	Position	Wire diameter	Requirement	Part no.
MR 130 EVO2	K077	1 - 9999	QM-GRADE 22 rectangular mesh	for secondary screening units	22 mm	Upper deck - NSE	Screen section, large	5 mm	4 pc.	M10004471
				for pre-screening units	22 mm	Lower deck		5 mm	1 pc.	2642432
				for secondary screening units	22 mm	Upper deck - NSE	Screen section, small	5 mm	1 pc.	2215293
			QM-GRADE 25 rectangular mesh	for pre-screening units	25 mm	Lower deck		6 mm	1 pc.	2298429
				for secondary screening units	25 mm	Upper deck - NSE	Screen section, small	6 mm	1 pc.	M20001552
				For use with MOBI-SCREEN series and secondary screening units	25 mm	Upper deck - NSE	Screen section, large	6 mm	4 pc.	M20001551
			QM-GRADE 28 rectangular mesh	for secondary screening units	28 mm	Upper deck - NSE	Screen section, small	6 mm	1 pc.	M20001714
				For use with MOBI-SCREEN series and secondary screening units	28 mm	Upper deck - NSE	Screen section, large	6 mm	4 pc.	M20001713
			QM-GRADE 30 rectangular mesh	for pre-screening units	30 mm	Lower deck		8 mm	1 pc.	2341120
				For use with MOBI-SCREEN series and secondary screening units	30 mm	Upper deck - NSE	Screen section, large	7 mm	4 pc.	2234476





WIRE MESH										
Series code	Serial code	Series range	Part	Version	Clear mesh size	Deck	Position	Wire diameter	Requirement	Part no.
MR 130 EVO2	K077	1 - 9999	QM-GRADE 30 rectangular mesh	for secondary screening units	30 mm	Upper deck - NSE	Screen section, small	7 mm	1 pc.	2234480
			QM-GRADE 32 rectangular mesh	for secondary screening units	32 mm	Upper deck - NSE	Screen section, small	7 mm	1 pc.	M20001750
				for secondary screening units	32 mm	Upper deck - NSE	Screen section, large	7 mm	4 pc.	M20001749
			QM-GRADE 35 rectangular mesh	for pre-screening units	35 mm	Lower deck		8 mm	1 pc.	2298424
				for secondary screening units	35 mm	Upper deck - NSE	Screen section, large	8 mm	4 pc.	M10003179
				for secondary screening units	35 mm	Upper deck - NSE	Screen section, small	8 mm	1 pc.	M20001254
			QM-GRADE 40 rectangular mesh	for secondary screening units	40 mm	Upper deck - NSE	Screen section, small	8 mm	1 pc.	M20000795
				For use with MOBI-SCREEN series and secondary screening units	40 mm	Upper deck - NSE	Screen section, large	8 mm	4 pc.	M10005149
				for pre-screening units	40 mm	Lower deck		8 mm	1 pc.	2341122
			QM-GRADE 45 rectangular mesh	for pre-screening units	45 mm	Lower deck		8 mm	1 pc.	2341123
				for secondary screening units	45 mm	Upper deck - NSE	Screen section, small	8 mm	1 pc.	M20001596



Original KLEEMANN  
**SCREENING**

WIRE MESH										
Series code	Serial code	Series range	Part	Version	Clear mesh size	Deck	Position	Wire diameter	Requirement	Part no.
MR 130 EVO2	K077	1 - 9999	QM-GRADE 45 rectangular mesh	For use with MOBI-SCREEN series and secondary screening units	45 mm	Upper deck - NSE	Screen section, large	8 mm	4 pc.	M20001595
				for secondary screening units	50 mm	Upper deck - NSE	Screen section, small	10 mm	1 pc.	M20001558
			QM-GRADE 50 rectangular mesh	For use with MOBI-SCREEN series and secondary screening units	50 mm	Upper deck - NSE	Screen section, large	10 mm	4 pc.	M20001298
				for pre-screening units	50 mm	Lower deck		10 mm	1 pc.	2341124
				for secondary screening units	55 mm	Upper deck - NSE	Screen section, small	10 mm	1 pc.	M20001554
				for pre-screening units	55 mm	Lower deck		10 mm	1 pc.	2341126
			QM-GRADE 55 rectangular mesh	For use with MOBI-SCREEN series and secondary screening units	55 mm	Upper deck - NSE	Screen section, large	10 mm	4 pc.	M20001553
				For use with MOBI-SCREEN series and secondary screening units	60 mm	Upper deck - NSE	Screen section, large	10 mm	4 pc.	M20001555
				for secondary screening units	60 mm	Upper deck - NSE	Screen section, small	10 mm	1 pc.	M20001556



WIRE MESH										
Series code	Serial code	Series range	Part	Version	Clear mesh size	Deck	Position	Wire diameter	Requirement	Part no.
MR 130 EVO2	K077	1 - 9999	QM-GRADE 6.5 rectangular mesh	for pre-screening units	6.5 mm	Lower deck		2 mm	1 pc.	2601415
				for secondary screening units	65 mm	Upper deck - NSE	Screen section, small	10 mm	1 pc.	M20001560
			QM-GRADE 65 rectangular mesh	For use with MOBI-SCREEN series and secondary screening units	65 mm	Upper deck - NSE	Screen section, large	10 mm	4 pc.	M10010425
				For use with MOBI-SCREEN series and secondary screening units	70 mm	Upper deck - NSE	Screen section, large	10 mm	4 pc.	M20001752
			QM-GRADE 70 rectangular mesh	for secondary screening units	70 mm	Upper deck - NSE	Screen section, small	10 mm	1 pc.	M20001753
				for secondary screening units	8 mm	Upper deck - NSE	Screen section, small	3 mm	1 pc.	2348798
			QM-GRADE 8 rectangular mesh	For use with MOBI-SCREEN series and secondary screening units	8 mm	Upper deck - NSE	Screen section, large	3 mm	4 pc.	2348799
				for secondary screening units	80 mm	Upper deck - NSE	Screen section, large	10 mm	4 pc.	2202978
			QM-GRADE 80 rectangular mesh	for secondary screening units	80 mm	Upper deck - NSE	Screen section, small	10 mm	1 pc.	2202979

Original KLEEMANN  
**SCREENING**

WIRE MESH										
Series code	Serial code	Series range	Part	Version	Clear mesh size	Deck	Position	Wire diameter	Requirement	Part no.
MR 130 EVO2	K077	1 - 9999	QM-GRADE 90 rectangular mesh	for secondary screening units	90 mm	Upper deck - NSE	Screen section, small	10 mm	1 pc.	2192481
				for secondary screening units	90 mm	Upper deck - NSE	Screen section, large	10 mm	4 pc.	2192479
MR 130i EVO2	K078	1 - 9999	Dummy rubber	for pre-screening units		Lower deck			1 pc.	2350858
			QM-GRADE 10 rectangular mesh	For use with MOBI-SCREEN series and secondary screening units	10 mm	Upper deck - NSE	Screen section, large	4 mm	4 pc.	2208580
				for pre-screening units	10 mm	Lower deck		4 mm	1 pc.	2341115
				for secondary screening units	10 mm	Upper deck - NSE	Screen section, small	4 mm	1 pc.	2208582
			QM-GRADE 12 rectangular mesh	for secondary screening units	12 mm	Upper deck - NSE	Screen section, small	4 mm	1 pc.	2234825
				for secondary screening units & Mobiscreen series	12 mm	Upper deck - NSE	Screen section, large	4 mm	4 pc.	2448849
				for pre-screening units	12 mm	Lower deck		4 mm	1 pc.	2298433
				QM-GRADE 15 rectangular mesh	for secondary screening units	15 mm	Upper deck - NSE	Screen section, small	4 mm	1 pc.
			for secondary screening units		15 mm	Upper deck - NSE	Screen section, large	4 mm	4 pc.	2212424



WIRE MESH										
Series code	Serial code	Series range	Part	Version	Clear mesh size	Deck	Position	Wire diameter	Requirement	Part no.
MR 130i EVO2	K078	1 - 9999	QM-GRADE 15 rectangular mesh	for pre-screening units	15 mm	Lower deck		4 mm	1 pc.	2341117
			QM-GRADE 16 rectangular mesh	for secondary screening units	16 mm	Upper deck - NSE	Screen section, large	4 mm	4 pc.	M10006857
				for secondary screening units	16 mm	Upper deck - NSE	Screen section, small	4 mm	1 pc.	M20001562
			QM-GRADE 18 rectangular mesh	for pre-screening units	18 mm	Lower deck		6 mm	1 pc.	2341118
				for secondary screening units	18 mm	Upper deck - NSE	Screen section, small	4 mm	1 pc.	2193527
				for secondary screening units	18 mm	Upper deck - NSE	Screen section, large	4 mm	4 pc.	2193517
			QM-GRADE 20 rectangular mesh	for pre-screening units	20 mm	Lower deck		6 mm	1 pc.	2341119
				For use with MOBI-SCREEN series and secondary screening units	20 mm	Upper deck - NSE	Screen section, large	5 mm	4 pc.	M10003491
				for secondary screening units	20 mm	Upper deck - NSE	Screen section, small	5 mm	1 pc.	M20001561
			QM-GRADE 22 rectangular mesh	for secondary screening units	22 mm	Upper deck - NSE	Screen section, small	5 mm	1 pc.	2215293
				for secondary screening units	22 mm	Upper deck - NSE	Screen section, large	5 mm	4 pc.	M10004471



Original KLEEMANN  
**SCREENING**

WIRE MESH										
Series code	Serial code	Series range	Part	Version	Clear mesh size	Deck	Position	Wire diameter	Requirement	Part no.
MR 130i EVO2	K078	1 - 9999	QM-GRADE 22 rectangular mesh	for pre-screening units	22 mm	Lower deck		5 mm	1 pc.	2642432
			QM-GRADE 25 rectangular mesh	For use with MOBI-SCREEN series and secondary screening units	25 mm	Upper deck - NSE	Screen section, large	6 mm	4 pc.	M20001551
				for pre-screening units	25 mm	Lower deck		6 mm	1 pc.	2298429
				for secondary screening units	25 mm	Upper deck - NSE	Screen section, small	6 mm	1 pc.	M20001552
			QM-GRADE 28 rectangular mesh	for secondary screening units	28 mm	Upper deck - NSE	Screen section, small	6 mm	1 pc.	M20001714
				For use with MOBI-SCREEN series and secondary screening units	28 mm	Upper deck - NSE	Screen section, large	6 mm	4 pc.	M20001713
			QM-GRADE 30 rectangular mesh	for secondary screening units	30 mm	Upper deck - NSE	Screen section, small	7 mm	1 pc.	2234480
				for pre-screening units	30 mm	Lower deck		8 mm	1 pc.	2341120
				For use with MOBI-SCREEN series and secondary screening units	30 mm	Upper deck - NSE	Screen section, large	7 mm	4 pc.	2234476



WIRE MESH										
Series code	Serial code	Series range	Part	Version	Clear mesh size	Deck	Position	Wire diameter	Requirement	Part no.
MR 130i EVO2	K078	1 - 9999	QM- GRADE 32 rect- angular mesh	for second- ary screen- ing units	32 mm	Upper deck - NSE	Screen section, small	7 mm	1 pc.	M20001750
				for second- ary screen- ing units	32 mm	Upper deck - NSE	Screen section, large	7 mm	4 pc.	M20001749
			QM- GRADE 35 rect- angular mesh	for pre- screening units	35 mm	Lower deck		8 mm	1 pc.	2298424
				for second- ary screen- ing units	35 mm	Upper deck - NSE	Screen section, small	8 mm	1 pc.	M20001254
				for second- ary screen- ing units	35 mm	Upper deck - NSE	Screen section, large	8 mm	4 pc.	M10003179
			QM- GRADE 40 rect- angular mesh	for pre- screening units	40 mm	Lower deck		8 mm	1 pc.	2341122
				For use with MOBI- SCREEN series and secondary screening units	40 mm	Upper deck - NSE	Screen section, large	8 mm	4 pc.	M10005149
				for second- ary screen- ing units	40 mm	Upper deck - NSE	Screen section, small	8 mm	1 pc.	M20000795
			QM- GRADE 45 rect- angular mesh	For use with MOBI- SCREEN series and secondary screening units	45 mm	Upper deck - NSE	Screen section, large	8 mm	4 pc.	M20001595
				for second- ary screen- ing units	45 mm	Upper deck - NSE	Screen section, small	8 mm	1 pc.	M20001596
				for pre- screening units	45 mm	Lower deck		8 mm	1 pc.	2341123

Original KLEEMANN  
**SCREENING**

WIRE MESH										
Series code	Serial code	Series range	Part	Version	Clear mesh size	Deck	Position	Wire diameter	Requirement	Part no.
MR 130i EVO2	K078	1 - 9999	QM- GRADE 50 rect- angular mesh	for pre- screening units	50 mm	Lower deck		10 mm	1 pc.	2341124
				For use with MOBI- SCREEN series and secondary screening units	50 mm	Upper deck - NSE	Screen section, large	10 mm	4 pc.	M20001298
				for second- ary screen- ing units	50 mm	Upper deck - NSE	Screen section, small	10 mm	1 pc.	M20001558
			QM- GRADE 55 rect- angular mesh	for second- ary screen- ing units	55 mm	Upper deck - NSE	Screen section, small	10 mm	1 pc.	M20001554
				For use with MOBI- SCREEN series and secondary screening units	55 mm	Upper deck - NSE	Screen section, large	10 mm	4 pc.	M20001553
				for pre- screening units	55 mm	Lower deck		10 mm	1 pc.	2341126
			QM- GRADE 60 rect- angular mesh	for second- ary screen- ing units	60 mm	Upper deck - NSE	Screen section, small	10 mm	1 pc.	M20001556
				For use with MOBI- SCREEN series and secondary screening units	60 mm	Upper deck - NSE	Screen section, large	10 mm	4 pc.	M20001555
			QM- GRADE 6.5 rect- angular mesh	for pre- screening units	6.5 mm	Lower deck		2 mm	1 pc.	2601415





WIRE MESH										
Series code	Serial code	Series range	Part	Version	Clear mesh size	Deck	Position	Wire diameter	Requirement	Part no.
MR 130i EVO2	K078	1 - 9999	QM-GRADE 65 rectangular mesh	For use with MOBI-SCREEN series and secondary screening units	65 mm	Upper deck - NSE	Screen section, large	10 mm	4 pc.	M10010425
				for secondary screening units	65 mm	Upper deck - NSE	Screen section, small	10 mm	1 pc.	M20001560
			QM-GRADE 70 rectangular mesh	for secondary screening units	70 mm	Upper deck - NSE	Screen section, small	10 mm	1 pc.	M20001753
				For use with MOBI-SCREEN series and secondary screening units	70 mm	Upper deck - NSE	Screen section, large	10 mm	4 pc.	M20001752
			QM-GRADE 8 rectangular mesh	for secondary screening units	8 mm	Upper deck - NSE	Screen section, small	3 mm	1 pc.	2348798
				For use with MOBI-SCREEN series and secondary screening units	8 mm	Upper deck - NSE	Screen section, large	3 mm	4 pc.	2348799
			QM-GRADE 80 rectangular mesh	for secondary screening units	80 mm	Upper deck - NSE	Screen section, large	10 mm	4 pc.	2202978
				for secondary screening units	80 mm	Upper deck - NSE	Screen section, small	10 mm	1 pc.	2202979
			QM-GRADE 90 rectangular mesh	for secondary screening units	90 mm	Upper deck - NSE	Screen section, large	10 mm	4 pc.	2192479
				for secondary screening units	90 mm	Upper deck - NSE	Screen section, small	10 mm	1 pc.	2192481

Original KLEEMANN  
**SCREENING**

WIRE MESH										
Series code	Serial code	Series range	Part	Version	Clear mesh size	Deck	Position	Wire diameter	Requirement	Part no.
MR 130i PRO	K125	1 - 9999	Dummy rubber	for pre-screening units		Lower deck			1 pc.	2350858
				for pre-screening units	10 mm	Lower deck - NSE	Screen section, large	4 mm	3 pc.	2973774
				For use with MOBI-SCREEN series and secondary screening units	10 mm	Upper deck - NSE	Screen section, large	4 mm	4 pc.	2208580
				for secondary screening units	10 mm	Upper deck - NSE	Screen section, small	4 mm	1 pc.	2208582
				for pre-screening units	10 mm	Lower deck		4 mm	1 pc.	2341115
				for pre-screening units	11 mm	Upper deck - NSE	Screen section, small	4 mm	1 pc.	2199927
				for pre-screening units	11 mm	Lower deck - NSE	Screen section, large	4 mm	3 pc.	2973776
				for MOBI-SCREEN series	11 mm	Upper deck - NSE	Screen section, large	4 mm	5 pc.	2199916
				for pre-screening units	12 mm	Lower deck		4 mm	1 pc.	2298433
				for secondary screening units	12 mm	Upper deck - NSE	Screen section, small	4 mm	1 pc.	2234825
				for secondary screening units & Mobiscreen series	12 mm	Upper deck - NSE	Screen section, large	4 mm	4 pc.	2448849



WIRE MESH										
Series code	Serial code	Series range	Part	Version	Clear mesh size	Deck	Position	Wire diameter	Requirement	Part no.
MR 130i PRO	K125	1 - 9999	QM-GRADE 15 rectangular mesh	for secondary screening units	15 mm	Upper deck - NSE	Screen section, small	4 mm	1 pc.	2212430
				for pre-screening units	15 mm	Lower deck		4 mm	1 pc.	2341117
				for secondary screening units	15 mm	Upper deck - NSE	Screen section, large	4 mm	5 pc.	2212424
			QM-GRADE 16 rectangular mesh	for secondary screening units	16 mm	Upper deck - NSE	Screen section, small	4 mm	1 pc.	M20001562
				for secondary screening units	16 mm	Upper deck - NSE	Screen section, large	4 mm	5 pc.	M10006857
				for pre-screening units	16 mm	Lower deck - NSE	Screen section, large	4 mm	3 pc.	2973777
			QM-GRADE 18 rectangular mesh	for pre-screening units	18 mm	Lower deck - NSE	Screen section, large	5 mm	3 pc.	2973778
				for pre-screening units	18 mm	Lower deck		6 mm	1 pc.	2341118
				for secondary screening units	18 mm	Upper deck - NSE	Screen section, small	4 mm	1 pc.	2193527
				for secondary screening units	18 mm	Upper deck - NSE	Screen section, large	4 mm	5 pc.	2193517
			QM-GRADE 20 rectangular mesh	for pre-screening units	20 mm	Lower deck - NSE	Screen section, large	5 mm	3 pc.	2973779
				For use with MOBI-SCREEN series and secondary screening units	20 mm	Upper deck - NSE	Screen section, large	5 mm	5 pc.	M10003491

Original KLEEMANN  
**SCREENING**

WIRE MESH										
Series code	Serial code	Series range	Part	Version	Clear mesh size	Deck	Position	Wire diameter	Requirement	Part no.
MR 130i PRO	K125	1 - 9999	QM- GRADE 20 rect- angular mesh	for second- ary screen- ing units	20 mm	Upper deck - NSE	Screen section, small	5 mm	1 pc.	M20001561
				for pre- screening units	20 mm	Lower deck		6 mm	1 pc.	2341119
			QM- GRADE 22 rect- angular mesh	for pre- screening units	22 mm	Lower deck		5 mm	1 pc.	2642432
				for second- ary screen- ing units	22 mm	Upper deck - NSE	Screen section, large	5 mm	5 pc.	M10004471
				for second- ary screen- ing units	22 mm	Upper deck - NSE	Screen section, small	5 mm	1 pc.	2215293
			QM- GRADE 25 rect- angular mesh	for pre- screening units	25 mm	Lower deck		6 mm	1 pc.	2298429
				For use with MOBI- SCREEN series and secondary screening units	25 mm	Upper deck - NSE	Screen section, large	6 mm	5 pc.	M20001551
				for second- ary screen- ing units	25 mm	Upper deck - NSE	Screen section, small	6 mm	1 pc.	M20001552
				for pre- screening units	25 mm	Lower deck - NSE	Screen section, large	6 mm	3 pc.	2973780
				for pre- screening units	28 mm	Lower deck - NSE	Screen section, large	6 mm	3 pc.	2973781
			QM- GRADE 28 rect- angular mesh	for second- ary screen- ing units	28 mm	Upper deck - NSE	Screen section, small	6 mm	1 pc.	M20001714



WIRE MESH										
Series code	Serial code	Series range	Part	Version	Clear mesh size	Deck	Position	Wire diameter	Requirement	Part no.
MR 130i PRO	K125	1 - 9999	QM-GRADE 28 rectangular mesh	For use with MOBI-SCREEN series and secondary screening units	28 mm	Upper deck - NSE	Screen section, large	6 mm	5 pc.	M20001713
				for secondary screening units	30 mm	Upper deck - NSE	Screen section, small	7 mm	1 pc.	2234480
			QM-GRADE 30 rectangular mesh	For use with MOBI-SCREEN series and secondary screening units	30 mm	Upper deck - NSE	Screen section, large	7 mm	5 pc.	2234476
				for pre-screening units	30 mm	Lower deck		8 mm	1 pc.	2341120
				for pre-screening units	32 mm	Lower deck		8 mm	1 pc.	2341121
			QM-GRADE 32 rectangular mesh	for secondary screening units	32 mm	Upper deck - NSE	Screen section, small	7 mm	1 pc.	M20001750
				for secondary screening units	32 mm	Upper deck - NSE	Screen section, large	7 mm	5 pc.	M20001749
				for secondary screening units	35 mm	Upper deck - NSE	Screen section, large	8 mm	5 pc.	M10003179
			QM-GRADE 35 rectangular mesh	for secondary screening units	35 mm	Upper deck - NSE	Screen section, small	8 mm	1 pc.	M20001254
				for pre-screening units	35 mm	Lower deck - NSE	Screen section, large	8 mm	3 pc.	2902619
				for pre-screening units	35 mm	Lower deck		8 mm	1 pc.	2298424

Original KLEEMANN  
**SCREENING**

WIRE MESH										
Series code	Serial code	Series range	Part	Version	Clear mesh size	Deck	Position	Wire diameter	Requirement	Part no.
MR 130i PRO	K125	1 - 9999	QM- GRADE 40 rect- angular mesh	For use with MOBI- SCREEN series and secondary screening units	40 mm	Upper deck - NSE	Screen section, large	8 mm	5 pc.	M10005149
				for pre- screening units	40 mm	Lower deck		8 mm	1 pc.	2341122
				for second- ary screen- ing units	40 mm	Upper deck - NSE	Screen section, small	8 mm	1 pc.	M20000795
				for pre- screening units	40 mm	Lower deck - NSE	Screen section, large	8 mm	3 pc.	2973902
			QM- GRADE 45 rect- angular mesh	for pre- screening units	45 mm	Lower deck		8 mm	1 pc.	2341123
				for pre- screening units	45 mm	Lower deck - NSE	Screen section, large	8 mm	3 pc.	2973903
				for second- ary screen- ing units	45 mm	Upper deck - NSE	Screen section, small	8 mm	1 pc.	M20001596
				For use with MOBI- SCREEN series and secondary screening units	45 mm	Upper deck - NSE	Screen section, large	8 mm	5 pc.	M20001595
			QM- GRADE 5 rect- angular mesh	for pre- screening units	5 mm	Lower deck - NSE	Screen section, large	2.2 mm	3 pc.	2973773



WIRE MESH										
Series code	Serial code	Series range	Part	Version	Clear mesh size	Deck	Position	Wire diameter	Requirement	Part no.
MR 130i PRO	K125	1 - 9999	QM- GRADE 50 rect- angular mesh	for second- ary screen- ing units	50 mm	Upper deck - NSE	Screen section, small	10 mm	1 pc.	M20001558
				for pre- screening units	50 mm	Lower deck		10 mm	1 pc.	2341124
				For use with MOBI- SCREEN series and secondary screening units	50 mm	Upper deck - NSE	Screen section, large	10 mm	5 pc.	M20001298
				for pre- screening units	50 mm	Lower deck - NSE	Screen section, large	8 mm	3 pc.	2973904
			QM- GRADE 55 rect- angular mesh	For use with MOBI- SCREEN series and secondary screening units	55 mm	Upper deck - NSE	Screen section, large	10 mm	5 pc.	M20001553
				for second- ary screen- ing units	55 mm	Upper deck - NSE	Screen section, small	10 mm	1 pc.	M20001554
				for pre- screening units	55 mm	Lower deck - NSE	Screen section, large	8 mm	3 pc.	2973905
				for pre- screening units	55 mm	Lower deck		10 mm	1 pc.	2341126
			QM- GRADE 60 rect- angular mesh	for second- ary screen- ing units	60 mm	Upper deck - NSE	Screen section, small	10 mm	1 pc.	M20001556
				For use with MOBI- SCREEN series and secondary screening units	60 mm	Upper deck - NSE	Screen section, large	10 mm	5 pc.	M20001555

Original KLEEMANN  
**SCREENING**

WIRE MESH										
Series code	Serial code	Series range	Part	Version	Clear mesh size	Deck	Position	Wire diameter	Requirement	Part no.
MR 130i PRO	K125	1 - 9999	QM-GRADE 6.5 rectangular mesh	for pre-screening units	6.5 mm	Lower deck		2 mm	1 pc.	2601415
				for secondary screening units	65 mm	Upper deck - NSE	Screen section, small	10 mm	1 pc.	M20001560
			QM-GRADE 65 rectangular mesh	For use with MOBI-SCREEN series and secondary screening units	65 mm	Upper deck - NSE	Screen section, large	10 mm	5 pc.	M10010425
				for secondary screening units	70 mm	Upper deck - NSE	Screen section, small	10 mm	1 pc.	M20001753
			QM-GRADE 70 rectangular mesh	For use with MOBI-SCREEN series and secondary screening units	70 mm	Upper deck - NSE	Screen section, large	10 mm	5 pc.	M20001752
				For use with MOBI-SCREEN series and secondary screening units	8 mm	Upper deck - NSE	Screen section, large	3 mm	4 pc.	2348799
				for secondary screening units	8 mm	Upper deck - NSE	Screen section, small	3 mm	1 pc.	2348798
				for secondary screening units	80 mm	Upper deck - NSE	Screen section, small	10 mm	1 pc.	2202979
				for secondary screening units	80 mm	Upper deck - NSE	Screen section, large	10 mm	5 pc.	2202978





WIRE MESH										
Series code	Serial code	Series range	Part	Version	Clear mesh size	Deck	Position	Wire diameter	Requirement	Part no.
MR 130i PRO	K125	1 - 9999	QM-GRADE 90 rectangular mesh	for secondary screening units	90 mm	Upper deck - NSE	Screen section, large	10 mm	5 pc.	2192479
				for secondary screening units	90 mm	Upper deck - NSE	Screen section, small	10 mm	1 pc.	2192481
MSS 352 EVO	K067	1 - 222	QM-GRADE 20 rectangular mesh	for MOBI-SCREEN series	20 mm	Upper deck	Screen section, large	4 mm	1 pc.	2320717
				for MOBI-SCREEN series	25 mm	Upper deck	Screen section, large	5 mm	1 pc.	2227232
				for MOBI-SCREEN series	30 mm	Upper deck	Screen section, large	6 mm	1 pc.	2227279
				for MOBI-SCREEN series	40 mm	Upper deck	Screen section, large	8 mm	1 pc.	2227283
				for MOBI-SCREEN series	45 mm	Upper deck	Screen section, large	8 mm	1 pc.	2227285
				for MOBI-SCREEN series	50 mm	Upper deck	Screen section, large	10 mm	1 pc.	2227287
				for MOBI-SCREEN series	60 mm	Upper deck	Screen section, large	10 mm	1 pc.	2227299



Original KLEEMANN  
**SCREENING**

WIRE MESH										
Series code	Serial code	Series range	Part	Version	Clear mesh size	Deck	Position	Wire diameter	Requirement	Part no.
MSS 352 EVO	K067	1 - 222	QM-GRADE 80 rectangular mesh	for MOBI-SCREEN series	80 mm	Upper deck	Screen section, large	10 mm	1 pc.	2227308
			QM-GRADE 10 rectangular mesh	for MOBI-SCREEN series	10 mm	Lower deck	Screen section, large	4 mm	1 pc.	2227330
		1 - 9999	QM-GRADE 10 rectangular mesh	for MOBI-SCREEN series	10 mm	Lower deck	Screen section, small	4 mm	1 pc.	2227352
			QM-GRADE 12 rectangular mesh	for MOBI-SCREEN series	12 mm	Lower deck	Screen section, large	4 mm	1 pc.	2227335
			QM-GRADE 12 rectangular mesh	for MOBI-SCREEN series	12 mm	Lower deck	Screen section, small	4 mm	1 pc.	2227354
			QM-GRADE 20 rectangular mesh	for MOBI-SCREEN series	20 mm	Lower deck	Screen section, small	4 mm	1 pc.	2227361
			QM-GRADE 20 rectangular mesh	for MOBI-SCREEN series	20 mm	Lower deck	Screen section, large	4 mm	1 pc.	2228359
			QM-GRADE 25 rectangular mesh	for MOBI-SCREEN series	25 mm	Lower deck	Screen section, small	5 mm	1 pc.	2313343
			QM-GRADE 25 rectangular mesh	for MOBI-SCREEN series	25 mm	Lower deck	Screen section, large	5 mm	1 pc.	2313339
			QM-GRADE 30 rectangular mesh	for MOBI-SCREEN series	30 mm	Lower deck	Screen section, small	6 mm	1 pc.	2227363
			QM-GRADE 30 rectangular mesh	for MOBI-SCREEN series	30 mm	Lower deck	Screen section, large	6 mm	1 pc.	2227339



WIRE MESH										
Series code	Serial code	Series range	Part	Version	Clear mesh size	Deck	Position	Wire diameter	Requirement	Part no.
MSS 352 EVO	K067	1 - 9999	QM-GRADE 40 rectangular mesh	for MOBI-SCREEN series	40 mm	Lower deck	Screen section, small	8 mm	1 pc.	2227367
				for MOBI-SCREEN series	40 mm	Lower deck	Screen section, large	8 mm	1 pc.	2227341
			QM-GRADE 50 rectangular mesh	for MOBI-SCREEN series	50 mm	Lower deck	Screen section, small	8 mm	1 pc.	2227368
				for MOBI-SCREEN series	50 mm	Lower deck	Screen section, large	8 mm	1 pc.	2227342
			QM-GRADE 8 rectangular mesh	for MOBI-SCREEN series	8 mm	Lower deck	Screen section, large	3 mm	1 pc.	2216654
				for MOBI-SCREEN series	8 mm	Lower deck	Screen section, small	3 mm	1 pc.	2216655
		223 - 9999	QM-GRADE 100 rectangular mesh	for MOBI-SCREEN series	100 mm	Upper deck	Screen section, large	10 mm	2 pc.	2529901
			QM-GRADE 40 rectangular mesh	for MOBI-SCREEN series	40 mm	Upper deck	Screen section, large	8 mm	2 pc.	2531585
			QM-GRADE 50 rectangular mesh	for MOBI-SCREEN series	50 mm	Upper deck	Screen section, large	10 mm	2 pc.	2529893
			QM-GRADE 55 rectangular mesh	for MOBI-SCREEN series	55 mm	Upper deck	Screen section, large	10 mm	2 pc.	2529894

Original KLEEMANN  
**SCREENING**

WIRE MESH										
Series code	Serial code	Series range	Part	Version	Clear mesh size	Deck	Position	Wire diameter	Requirement	Part no.
MSS 352 EVO	K067	223 - 9999	QM- GRADE 60 rect- angular mesh	for MOBI- SCREEN series	60 mm	Upper deck	Screen section, large	10 mm	2 pc.	2529895
			QM- GRADE 65 rect- angular mesh	for MOBI- SCREEN series	65 mm	Upper deck	Screen section, large	10 mm	2 pc.	2529896
			QM- GRADE 70 rect- angular mesh	for MOBI- SCREEN series	70 mm	Upper deck	Screen section, large	10 mm	2 pc.	2529897
			QM- GRADE 75 rect- angular mesh	for MOBI- SCREEN series	75 mm	Upper deck	Screen section, large	10 mm	2 pc.	2529898
			QM- GRADE 80 rect- angular mesh	for MOBI- SCREEN series	80 mm	Upper deck	Screen section, large	10 mm	2 pc.	2529899
			QM- GRADE 90 rect- angular mesh	for MOBI- SCREEN series	90 mm	Upper deck	Screen section, large	10 mm	2 pc.	2529900
MSS 502 EVO	K066	1 - 9999	CMS 30 rectan- gular mesh	for MOBI- SCREEN series	30 mm	Lower deck	Screen section, large	6 mm	2 pc.	2228395
			QM- GRADE 10 rect- angular mesh	for MOBI- SCREEN series	10 mm	Upper deck	Screen section, large	4 mm	3 pc.	2227785
				for MOBI- SCREEN series	10 mm	Lower deck	Screen section, large	3 mm	2 pc.	2199248



WIRE MESH										
Series code	Serial code	Series range	Part	Version	Clear mesh size	Deck	Position	Wire diameter	Requirement	Part no.
MSS 502 EVO	K066	1 - 9999	QM-GRADE 12 rectangular mesh	for MOBI-SCREEN series	12 mm	Upper deck	Screen section, large	4 mm	3 pc.	2227768
			QM-GRADE 15 rectangular mesh	for MOBI-SCREEN series	15 mm	Upper deck	Screen section, large	4 mm	3 pc.	2227769
			QM-GRADE 18 rectangular mesh	for MOBI-SCREEN series	18 mm	Upper deck	Screen section, large	5 mm	3 pc.	2219139
			QM-GRADE 20 rectangular mesh	for MOBI-SCREEN series	20 mm	Lower deck	Screen section, large	5 mm	2 pc.	M20001473
				for MOBI-SCREEN series	20 mm	Upper deck	Screen section, large	5 mm	3 pc.	2227772
			QM-GRADE 25 rectangular mesh	for MOBI-SCREEN series	25 mm	Lower deck	Screen section, large	5 mm	2 pc.	M20001603
				for MOBI-SCREEN series	25 mm	Upper deck	Screen section, large	5 mm	3 pc.	2227774
			QM-GRADE 30 rectangular mesh	for MOBI-SCREEN series	30 mm	Upper deck	Screen section, large	6 mm	3 pc.	2296423
			QM-GRADE 32 rectangular mesh	for MOBI-SCREEN series	32 mm	Upper deck	Screen section, large	6 mm	3 pc.	2296425
			QM-GRADE 35 rectangular mesh	for MOBI-SCREEN series	35 mm	Upper deck	Screen section, large	8 mm	3 pc.	2227776

Original KLEEMANN  
**SCREENING**

WIRE MESH										
Series code	Serial code	Series range	Part	Version	Clear mesh size	Deck	Position	Wire diameter	Requirement	Part no.
MSS 502 EVO	K066	1 - 9999	QM-GRADE 40 rectangular mesh	for MOBI-SCREEN series	40 mm	Lower deck	Screen section, large	8 mm	2 pc.	M20001703
				for MOBI-SCREEN series	40 mm	Upper deck	Screen section, large	8 mm	3 pc.	M20001582
			QM-GRADE 45 rectangular mesh	for MOBI-SCREEN series	45 mm	Lower deck	Screen section, large	8 mm	2 pc.	2235994
				for MOBI-SCREEN series	45 mm	Upper deck	Screen section, large	8 mm	3 pc.	2227777
			QM-GRADE 50 rectangular mesh	for MOBI-SCREEN series	50 mm	Lower deck	Screen section, large	8 mm	2 pc.	2228397
				for MOBI-SCREEN series	50 mm	Upper deck	Screen section, large	8 mm	3 pc.	M20001386
			QM-GRADE 55 rectangular mesh	for MOBI-SCREEN series	55 mm	Upper deck	Screen section, large	8 mm	3 pc.	M20001627
			QM-GRADE 60 rectangular mesh	for MOBI-SCREEN series	60 mm	Upper deck	Screen section, large	8 mm	3 pc.	2227778
			QM-GRADE 65 rectangular mesh	for MOBI-SCREEN series	65 mm	Upper deck	Screen section, large	8 mm	3 pc.	2227779
			QM-GRADE 7 rectangular mesh	for MOBI-SCREEN series	7 mm	Lower deck	Screen section, large	3 mm	2 pc.	2228390



WIRE MESH										
Series code	Serial code	Series range	Part	Version	Clear mesh size	Deck	Position	Wire diameter	Requirement	Part no.
MSS 502 EVO	K066	1 - 9999	QM-GRADE 70 rectangular mesh	for MOBI-SCREEN series	70 mm	Upper deck	Screen section, large	10 mm	3 pc.	M20001605
			QM-GRADE 75 rectangular mesh	for MOBI-SCREEN series	75 mm	Upper deck	Screen section, large	10 mm	3 pc.	2227780
			QM-GRADE 8 rectangular mesh	for MOBI-SCREEN series	8 mm	Lower deck	Screen section, large	3 mm	2 pc.	2228391
			QM-GRADE 80 rectangular mesh	for MOBI-SCREEN series	80 mm	Upper deck	Screen section, large	10 mm	3 pc.	2227781
			QM-GRADE 90 rectangular mesh	for MOBI-SCREEN series	90 mm	Upper deck	Screen section, large	10 mm	3 pc.	2227783
MS 14 Z	K068	1 - 9999		for MOBI-SCREEN series	10 mm	Lower deck	Screen section, large	4 mm	1 pc.	2227636
			QM-GRADE 10 rectangular mesh	for MOBI-SCREEN series	10 mm	Upper deck	Screen section, small	4 mm	1 pc.	2227786
				for MOBI-SCREEN series	10 mm	Upper deck	Screen section, large	4 mm	2 pc.	2227785
			QM-GRADE 12 rectangular mesh	for MOBI-SCREEN series	12 mm	Lower deck	Screen section, large	4 mm	1 pc.	2227638
				for MOBI-SCREEN series	12 mm	Upper deck	Screen section, large	4 mm	2 pc.	2227768

Original KLEEMANN  
**SCREENING**

WIRE MESH										
Series code	Serial code	Series range	Part	Version	Clear mesh size	Deck	Position	Wire diameter	Requirement	Part no.
MS 14 Z	K068	1 - 9999	QM-GRADE 12 rectangular mesh	for MOBI-SCREEN series	12 mm	Upper deck	Screen section, small	4 mm	1 pc.	2227787
				for MOBI-SCREEN series	15 mm	Upper deck	Screen section, large	4 mm	2 pc.	2227769
			QM-GRADE 15 rectangular mesh	for MOBI-SCREEN series	15 mm	Lower deck	Screen section, large	4 mm	1 pc.	2227639
				for MOBI-SCREEN series	15 mm	Upper deck	Screen section, small	4 mm	1 pc.	2227788
			QM-GRADE 18 rectangular mesh	for MOBI-SCREEN series	18 mm	Upper deck	Screen section, large	5 mm	2 pc.	2219139
				for MOBI-SCREEN series	18 mm	Upper deck	Screen section, small	5 mm	1 pc.	2219140
			QM-GRADE 20 rectangular mesh	for MOBI-SCREEN series	20 mm	Upper deck	Screen section, large	5 mm	2 pc.	2227772
				for MOBI-SCREEN series	20 mm	Upper deck	Screen section, small	5 mm	1 pc.	2227790
				for MOBI-SCREEN series	20 mm	Lower deck	Screen section, large	4 mm	1 pc.	M20001606
			QM-GRADE 25 rectangular mesh	for MOBI-SCREEN series	25 mm	Lower deck	Screen section, large	5 mm	1 pc.	2227626
				for MOBI-SCREEN series	25 mm	Upper deck	Screen section, large	5 mm	2 pc.	2227774
				for MOBI-SCREEN series	25 mm	Upper deck	Screen section, small	5 mm	1 pc.	2227793





WIRE MESH										
Series code	Serial code	Series range	Part	Version	Clear mesh size	Deck	Position	Wire diameter	Requirement	Part no.
MS 14 Z	K068	1 - 9999	QM-GRADE 30 rectangular mesh	for MOBI-SCREEN series	30 mm	Upper deck	Screen section, large	6 mm	2 pc.	2296423
				for MOBI-SCREEN series	30 mm	Upper deck	Screen section, small	6 mm	1 pc.	2291875
				for MOBI-SCREEN series	30 mm	Lower deck	Screen section, large	6 mm	1 pc.	2227627
			QM-GRADE 38 rectangular mesh	for MOBI-SCREEN series	38 mm	Lower deck	Screen section, large	8 mm	1 pc.	2227628
			QM-GRADE 40 rectangular mesh	for MOBI-SCREEN series	40 mm	Lower deck	Screen section, large	8 mm	1 pc.	2227629
				for MOBI-SCREEN series	40 mm	Upper deck	Screen section, small	8 mm	1 pc.	M20001610
				for MOBI-SCREEN series	40 mm	Upper deck	Screen section, large	8 mm	2 pc.	M20001582
			QM-GRADE 45 rectangular mesh	for MOBI-SCREEN series	45 mm	Upper deck	Screen section, small	8 mm	1 pc.	2227797
				for MOBI-SCREEN series	45 mm	Upper deck	Screen section, large	8 mm	2 pc.	2227777
			QM-GRADE 50 rectangular mesh	for MOBI-SCREEN series	50 mm	Upper deck	Screen section, large	8 mm	2 pc.	M20001386
				for MOBI-SCREEN series	50 mm	Upper deck	Screen section, small	8 mm	1 pc.	2223200

Original KLEEMANN  
**SCREENING**

WIRE MESH										
Series code	Serial code	Series range	Part	Version	Clear mesh size	Deck	Position	Wire diameter	Requirement	Part no.
MS 14 Z	K068	1 - 9999	QM-GRADE 55 rectangular mesh	for MOBI-SCREEN series	55 mm	Upper deck	Screen section, small	8 mm	1 pc.	2227799
				for MOBI-SCREEN series	55 mm	Upper deck	Screen section, large	8 mm	2 pc.	M20001627
			QM-GRADE 60 rectangular mesh	for MOBI-SCREEN series	60 mm	Upper deck	Screen section, large	8 mm	2 pc.	2227778
				for MOBI-SCREEN series	60 mm	Upper deck	Screen section, small	8 mm	1 pc.	2227800
			QM-GRADE 65 rectangular mesh	for MOBI-SCREEN series	65 mm	Upper deck	Screen section, small	8 mm	1 pc.	2227801
				for MOBI-SCREEN series	65 mm	Upper deck	Screen section, large	8 mm	2 pc.	2227779
			QM-GRADE 70 rectangular mesh	for MOBI-SCREEN series	70 mm	Upper deck	Screen section, large	10 mm	2 pc.	M20001605
				for MOBI-SCREEN series	70 mm	Upper deck	Screen section, small	10 mm	1 pc.	M20001604
			QM-GRADE 75 rectangular mesh	for MOBI-SCREEN series	75 mm	Upper deck	Screen section, small	10 mm	1 pc.	2227808
				for MOBI-SCREEN series	75 mm	Upper deck	Screen section, large	10 mm	2 pc.	2227780
			QM-GRADE 8 rectangular mesh	for MOBI-SCREEN series	8 mm	Lower deck	Screen section, large	3 mm	1 pc.	2227634



WIRE MESH										
Series code	Serial code	Series range	Part	Version	Clear mesh size	Deck	Position	Wire diameter	Requirement	Part no.
MS 14 Z	K068	1 - 9999	QM-GRADE 80 rectangular mesh	for MOBI-SCREEN series	80 mm	Upper deck	Screen section, large	10 mm	2 pc.	2227781
				for MOBI-SCREEN series	80 mm	Upper deck	Screen section, small	10 mm	1 pc.	2227809
			QM-GRADE 90 rectangular mesh	for MOBI-SCREEN series	90 mm	Upper deck	Screen section, large	10 mm	2 pc.	2227783
				for MOBI-SCREEN series	90 mm	Upper deck	Screen section, small	10 mm	1 pc.	2227810
MS 15 Z-AD	K047	1 - 9999	QM-GRADE 10 rectangular mesh	for MOBI-SCREEN series	10 mm	Upper deck	Screen section, large	3 mm	4 pc.	M20001496
				for MOBI-SCREEN series	10 mm	Lower deck	Screen section, large	3 mm	3 pc.	M20001734
			QM-GRADE 11 rectangular mesh	for MOBI-SCREEN series	11 mm	Lower deck	Screen section, large	3 mm	3 pc.	2228347
			QM-GRADE 12 rectangular mesh	for MOBI-SCREEN series	12 mm	Lower deck	Screen section, large	3 mm	3 pc.	2197550
				for MOBI-SCREEN series	12 mm	Upper deck	Screen section, large	4 mm	4 pc.	M20000872
			QM-GRADE 13 rectangular mesh	for MOBI-SCREEN series	13 mm	Upper deck	Screen section, large	4 mm	4 pc.	M20000621
			QM-GRADE 14 rectangular mesh	for MOBI-SCREEN series	14 mm	Upper deck	Screen section, large	4 mm	4 pc.	M20001027



Original KLEEMANN  
**SCREENING**

WIRE MESH										
Series code	Serial code	Series range	Part	Version	Clear mesh size	Deck	Position	Wire diameter	Requirement	Part no.
MS 15 Z-AD	K047	1 - 9999	QM-GRADE 15 rectangular mesh	for MOBI-SCREEN series	15 mm	Upper deck	Screen section, large	4 mm	4 pc.	M20001735
				for MOBI-SCREEN series	15 mm	Lower deck	Screen section, large	4 mm	3 pc.	2198322
			QM-GRADE 16 rectangular mesh	for MOBI-SCREEN series	16 mm	Upper deck	Screen section, large	4 mm	4 pc.	M20000833
			QM-GRADE 18 rectangular mesh	for MOBI-SCREEN series	18 mm	Upper deck	Screen section, large	4 mm	4 pc.	M20001327
				for MOBI-SCREEN series	18 mm	Lower deck	Screen section, large	4 mm	3 pc.	M20001499
			QM-GRADE 20 rectangular mesh	for MOBI-SCREEN series	20 mm	Upper deck	Screen section, large	5 mm	4 pc.	2234507
				for MOBI-SCREEN series	20 mm	Lower deck	Screen section, large	5 mm	3 pc.	M20001453
			QM-GRADE 22 rectangular mesh	for MOBI-SCREEN series	22 mm	Upper deck	Screen section, large	5 mm	4 pc.	M20000690
			QM-GRADE 25 rectangular mesh	for MOBI-SCREEN series	25 mm	Lower deck	Screen section, large	5 mm	3 pc.	M20001563
				for MOBI-SCREEN series	25 mm	Upper deck	Screen section, large	5 mm	4 pc.	M20000958
			QM-GRADE 28 rectangular mesh	for MOBI-SCREEN series	28 mm	Upper deck	Screen section, large	6 mm	4 pc.	M20001629
				for MOBI-SCREEN series	28 mm	Lower deck	Screen section, large	6 mm	3 pc.	2244893



WIRE MESH										
Series code	Serial code	Series range	Part	Version	Clear mesh size	Deck	Position	Wire diameter	Requirement	Part no.
MS 15 Z-AD	K047	1 - 9999	QM- GRADE 30 rect- angular mesh	for MOBI- SCREEN series	30 mm	Upper deck	Screen section, large	8 mm	4 pc.	2234516
				for MOBI- SCREEN series	30 mm	Lower deck	Screen section, large	6 mm	3 pc.	M20001564
			QM- GRADE 32 rect- angular mesh	for MOBI- SCREEN series	32 mm	Lower deck	Screen section, large	6 mm	3 pc.	2231937
				for MOBI- SCREEN series	32 mm	Upper deck	Screen section, large	7 mm	4 pc.	M20001498
			QM- GRADE 35 rect- angular mesh	for MOBI- SCREEN series	35 mm	Lower deck	Screen section, large	8 mm	3 pc.	M20001321
				for MOBI- SCREEN series	35 mm	Upper deck	Screen section, large	8 mm	4 pc.	M20001727
			QM- GRADE 40 rect- angular mesh	for MOBI- SCREEN series	40 mm	Upper deck	Screen section, large	8 mm	4 pc.	M20000625
				for MOBI- SCREEN series	40 mm	Lower deck	Screen section, large	8 mm	3 pc.	M20001449
			QM- GRADE 45 rect- angular mesh	for MOBI- SCREEN series	45 mm	Upper deck	Screen section, large	8 mm	4 pc.	M20000642
			QM- GRADE 50 rect- angular mesh	for MOBI- SCREEN series	50 mm	Upper deck	Screen section, large	10 mm	4 pc.	M20000686
				for MOBI- SCREEN series	50 mm	Lower deck	Screen section, large	10 mm	3 pc.	M20001760

Original KLEEMANN  
**SCREENING**

WIRE MESH										
Series code	Serial code	Series range	Part	Version	Clear mesh size	Deck	Position	Wire diameter	Requirement	Part no.
MS 15 Z-AD	K047	1 - 9999	QM-GRADE 55 rectangular mesh	for MOBI-SCREEN series	55 mm	Upper deck	Screen section, large	10 mm	4 pc.	M20000627
				for MOBI-SCREEN series	55 mm	Lower deck	Screen section, large	10 mm	3 pc.	M20001719
			QM-GRADE 60 rectangular mesh	for MOBI-SCREEN series	60 mm	Upper deck	Screen section, large	10 mm	4 pc.	M20001065
				for MOBI-SCREEN series	60 mm	Lower deck	Screen section, large	10 mm	3 pc.	2246161
			QM-GRADE 65 rectangular mesh	for MOBI-SCREEN series	65 mm	Upper deck	Screen section, large	10 mm	4 pc.	M20000688
				for MOBI-SCREEN series	65 mm	Lower deck	Screen section, large	10 mm	3 pc.	M20001720
			QM-GRADE 7 rectangular mesh	for MOBI-SCREEN series	7 mm	Lower deck	Screen section, large	3 mm	3 pc.	2212560
			QM-GRADE 70 rectangular mesh	for MOBI-SCREEN series	70 mm	Upper deck	Screen section, large	10 mm	4 pc.	M20001400
				for MOBI-SCREEN series	70 mm	Lower deck	Screen section, large	10 mm	3 pc.	2292450
			QM-GRADE 8 rectangular mesh	for MOBI-SCREEN series	8 mm	Lower deck	Screen section, large	3.2 mm	3 pc.	M10025548
				for MOBI-SCREEN series	8 mm	Upper deck	Screen section, large	3 mm	4 pc.	M10022614
			QM-GRADE 80 rectangular mesh	for MOBI-SCREEN series	80 mm	Upper deck	Screen section, large	10 mm	4 pc.	2218851



WIRE MESH										
Series code	Serial code	Series range	Part	Version	Clear mesh size	Deck	Position	Wire diameter	Requirement	Part no.
MS 15 Z-AD	K047	1 - 9999	QM-GRADE 9 rectangular mesh	for MOBI-SCREEN series	9 mm	Lower deck	Screen section, large	3 mm	3 pc.	2210653
			QM-GRADE 90 rectangular mesh	for MOBI-SCREEN series	90 mm	Upper deck	Screen section, large	10 mm	4 pc.	2202934
MS 16 Z	K048	1 - 9999	QM-GRADE 10 rectangular mesh	for MOBI-SCREEN series	10 mm	Lower deck	Screen section, large	4 mm	2 pc.	2234498
				for MOBI-SCREEN series	10 mm	Upper/middle deck	Screen section, small	3 mm	1 pc.	M20001494
				for MOBI-SCREEN series	10 mm	Upper/middle deck	Screen section, large	3 mm	3 pc.	M20001496
			QM-GRADE 12 rectangular mesh	for MOBI-SCREEN series	12 mm	Lower deck	Screen section, large	4 mm	2 pc.	2234501
				for MOBI-SCREEN series	12 mm	Upper/middle deck	Screen section, small	4 mm	1 pc.	2195240
				for MOBI-SCREEN series	12 mm	Upper/middle deck	Screen section, large	4 mm	3 pc.	M20000872
			QM-GRADE 14 rectangular mesh	for MOBI-SCREEN series	14 mm	Upper/middle deck	Screen section, small	4 mm	1 pc.	2195335
				for MOBI-SCREEN series	14 mm	Lower deck	Screen section, large	3 mm	2 pc.	M20000864
				for MOBI-SCREEN series	14 mm	Upper/middle deck	Screen section, large	4 mm	3 pc.	M20001027

Original KLEEMANN  
**SCREENING**

WIRE MESH										
Series code	Serial code	Series range	Part	Version	Clear mesh size	Deck	Position	Wire diameter	Requirement	Part no.
MS 16 Z	K048	1 - 9999	QM-GRADE 15 rectangular mesh	for MOBI-SCREEN series	15 mm	Lower deck	Screen section, large	4 mm	2 pc.	2201658
				for MOBI-SCREEN series	15 mm	Upper/middle deck	Screen section, small	4 mm	1 pc.	2195338
				for MOBI-SCREEN series	15 mm	Upper/middle deck	Screen section, large	4 mm	3 pc.	M20001735
			QM-GRADE 16 rectangular mesh	for MOBI-SCREEN series	16 mm	Upper/middle deck	Screen section, small	4 mm	1 pc.	2195342
				for MOBI-SCREEN series	16 mm	Upper/middle deck	Screen section, large	4 mm	3 pc.	M20000833
			QM-GRADE 18 rectangular mesh	for MOBI-SCREEN series	18 mm	Upper/middle deck	Screen section, large	4 mm	3 pc.	M20001327
				for MOBI-SCREEN series	18 mm	Upper/middle deck	Screen section, small	4 mm	1 pc.	2195345
			QM-GRADE 20 rectangular mesh	for MOBI-SCREEN series	20 mm	Upper/middle deck	Screen section, large	5 mm	3 pc.	2234507
				for MOBI-SCREEN series	20 mm	Lower deck	Screen section, large	5 mm	2 pc.	M20001081
				for MOBI-SCREEN series	20 mm	Upper/middle deck	Screen section, small	5 mm	1 pc.	2234505
			QM-GRADE 22 rectangular mesh	for MOBI-SCREEN series	22 mm	Upper/middle deck	Screen section, large	5 mm	3 pc.	M20000690
				for MOBI-SCREEN series	22 mm	Upper/middle deck	Screen section, small	5 mm	1 pc.	M20000691
				for MOBI-SCREEN series	22 mm	Lower deck	Screen section, large	5 mm	2 pc.	M20001591





WIRE MESH										
Series code	Serial code	Series range	Part	Version	Clear mesh size	Deck	Position	Wire diameter	Requirement	Part no.
MS 16 Z	K048	1 - 9999	QM-GRADE 25 rectangular mesh	for MOBI-SCREEN series	25 mm	Lower deck	Screen section, large	5 mm	2 pc.	M20000693
				for MOBI-SCREEN series	25 mm	Upper/middle deck	Screen section, small	5 mm	1 pc.	M20001769
				for MOBI-SCREEN series	25 mm	Upper/middle deck	Screen section, large	5 mm	3 pc.	M20000958
			QM-GRADE 28 rectangular mesh	for MOBI-SCREEN series	28 mm	Upper/middle deck	Screen section, large	6 mm	3 pc.	M20001629
				for MOBI-SCREEN series	28 mm	Upper/middle deck	Screen section, small	6 mm	1 pc.	2195355
			QM-GRADE 30 rectangular mesh	for MOBI-SCREEN series	30 mm	Lower deck	Screen section, large	6 mm	2 pc.	M20001352
				for MOBI-SCREEN series	30 mm	Upper/middle deck	Screen section, large	8 mm	3 pc.	2234516
				for MOBI-SCREEN series	30 mm	Upper/middle deck	Screen section, small	8 mm	1 pc.	2234515
			QM-GRADE 35 rectangular mesh	for MOBI-SCREEN series	35 mm	Lower deck	Screen section, large	6 mm	2 pc.	2402975
				for MOBI-SCREEN series	35 mm	Upper/middle deck	Screen section, small	8 mm	1 pc.	M20001726
				for MOBI-SCREEN series	35 mm	Upper/middle deck	Screen section, large	8 mm	3 pc.	M20001727
			QM-GRADE 40 rectangular mesh	for MOBI-SCREEN series	40 mm	Upper/middle deck	Screen section, large	8 mm	3 pc.	M20000625
				for MOBI-SCREEN series	40 mm	Upper/middle deck	Screen section, small	8 mm	1 pc.	M20000626

Original KLEEMANN  
**SCREENING**

WIRE MESH										
Series code	Serial code	Series range	Part	Version	Clear mesh size	Deck	Position	Wire diameter	Requirement	Part no.
MS 16 Z	K048	1 - 9999	QM-GRADE 40 rectangular mesh	for MOBI-SCREEN series	40 mm	Lower deck	Screen section, large	8 mm	2 pc.	M20000832
				for MOBI-SCREEN series	45 mm	Lower deck	Screen section, large	8 mm	2 pc.	2226556
			QM-GRADE 45 rectangular mesh	for MOBI-SCREEN series	45 mm	Upper/middle deck	Screen section, large	8 mm	3 pc.	M20000642
				for MOBI-SCREEN series	45 mm	Upper/middle deck	Screen section, small	8 mm	1 pc.	M20000643
			QM-GRADE 5 rectangular mesh	for MOBI-SCREEN series	5 mm	Lower deck	Screen section, large	2 mm	2 pc.	M20001308
				for MOBI-SCREEN series	50 mm	Lower deck	Screen section, large	8 mm	2 pc.	M20000817
			QM-GRADE 50 rectangular mesh	for MOBI-SCREEN series	50 mm	Upper/middle deck	Screen section, large	10 mm	3 pc.	M20000686
				for MOBI-SCREEN series	50 mm	Upper/middle deck	Screen section, small	10 mm	1 pc.	M20000687
			QM-GRADE 55 rectangular mesh	for MOBI-SCREEN series	55 mm	Upper/middle deck	Screen section, small	10 mm	1 pc.	M20000628
				for MOBI-SCREEN series	55 mm	Upper/middle deck	Screen section, large	10 mm	3 pc.	M20000627
			QM-GRADE 60 rectangular mesh	for MOBI-SCREEN series	60 mm	Upper/middle deck	Screen section, small	10 mm	1 pc.	M20001066
				for MOBI-SCREEN series	60 mm	Upper/middle deck	Screen section, large	10 mm	3 pc.	M20001065



WIRE MESH										
Series code	Serial code	Series range	Part	Version	Clear mesh size	Deck	Position	Wire diameter	Requirement	Part no.
MS 16 Z	K048	1 - 9999	QM-GRADE 65 rectangular mesh	for MOBI-SCREEN series	65 mm	Upper/middle deck	Screen section, small	10 mm	1 pc.	M20000689
				for MOBI-SCREEN series	65 mm	Upper/middle deck	Screen section, large	10 mm	3 pc.	M20000688
			QM-GRADE 70 rectangular mesh	for MOBI-SCREEN series	70 mm	Upper/middle deck	Screen section, small	10 mm	1 pc.	M20001399
				for MOBI-SCREEN series	70 mm	Upper/middle deck	Screen section, large	10 mm	3 pc.	M20001400
			QM-GRADE 8 rectangular mesh	for MOBI-SCREEN series	8 mm	Lower deck	Screen section, large	3 mm	2 pc.	M20000761
			QM-GRADE 80 rectangular mesh	for MOBI-SCREEN series	80 mm	Upper/middle deck	Screen section, large	10 mm	3 pc.	2218851
				for MOBI-SCREEN series	80 mm	Upper/middle deck	Screen section, small	10 mm	1 pc.	2218853
			MS 16 D	K049	1 - 9999	QM-GRADE 10 rectangular mesh	for MOBI-SCREEN series	10 mm	Upper/middle deck	Screen section, large
for MOBI-SCREEN series	10 mm	Upper/middle deck					Screen section, small	3 mm	1 pc.	M20001494
for MOBI-SCREEN series	10 mm	Lower deck					Screen section, large	4 mm	2 pc.	2234498
QM-GRADE 12 rectangular mesh	for MOBI-SCREEN series	12 mm				Lower deck	Screen section, large	4 mm	2 pc.	2234501
	for MOBI-SCREEN series	12 mm				Upper/middle deck	Screen section, large	4 mm	3 pc.	M20000872

Original KLEEMANN  
**SCREENING**

WIRE MESH										
Series code	Serial code	Series range	Part	Version	Clear mesh size	Deck	Position	Wire diameter	Requirement	Part no.
MS 16 D	K049	1 - 9999	QM-GRADE 12 rectangular mesh	for MOBI-SCREEN series	12 mm	Upper/middle deck	Screen section, small	4 mm	1 pc.	2195240
				for MOBI-SCREEN series	14 mm	Lower deck	Screen section, large	3 mm	2 pc.	M20000864
			QM-GRADE 14 rectangular mesh	for MOBI-SCREEN series	14 mm	Upper/middle deck	Screen section, small	4 mm	1 pc.	2195335
				for MOBI-SCREEN series	14 mm	Upper/middle deck	Screen section, large	4 mm	3 pc.	M20001027
				for MOBI-SCREEN series	15 mm	Upper/middle deck	Screen section, small	4 mm	1 pc.	2195338
			QM-GRADE 15 rectangular mesh	for MOBI-SCREEN series	15 mm	Lower deck	Screen section, large	4 mm	2 pc.	2201658
				for MOBI-SCREEN series	15 mm	Upper/middle deck	Screen section, large	4 mm	3 pc.	M20001735
				for MOBI-SCREEN series	16 mm	Upper/middle deck	Screen section, large	4 mm	3 pc.	M20000833
			QM-GRADE 16 rectangular mesh	for MOBI-SCREEN series	16 mm	Upper/middle deck	Screen section, small	4 mm	1 pc.	2195342
				for MOBI-SCREEN series	18 mm	Upper/middle deck	Screen section, large	4 mm	3 pc.	M20001327
				for MOBI-SCREEN series	18 mm	Upper/middle deck	Screen section, small	4 mm	1 pc.	2195345



WIRE MESH										
Series code	Serial code	Series range	Part	Version	Clear mesh size	Deck	Position	Wire diameter	Requirement	Part no.
MS 16 D	K049	1 - 9999	QM-GRADE 20 rectangular mesh	for MOBI-SCREEN series	20 mm	Upper/middle deck	Screen section, small	5 mm	1 pc.	2234505
				for MOBI-SCREEN series	20 mm	Upper/middle deck	Screen section, large	5 mm	3 pc.	2234507
				for MOBI-SCREEN series	20 mm	Lower deck	Screen section, large	5 mm	2 pc.	M20001081
			QM-GRADE 22 rectangular mesh	for MOBI-SCREEN series	22 mm	Upper/middle deck	Screen section, large	5 mm	3 pc.	M20000690
				for MOBI-SCREEN series	22 mm	Lower deck	Screen section, large	5 mm	2 pc.	M20001591
				for MOBI-SCREEN series	22 mm	Upper/middle deck	Screen section, small	5 mm	1 pc.	M20000691
			QM-GRADE 25 rectangular mesh	for MOBI-SCREEN series	25 mm	Upper/middle deck	Screen section, small	5 mm	1 pc.	M20001769
				for MOBI-SCREEN series	25 mm	Lower deck	Screen section, large	5 mm	2 pc.	M20000693
				for MOBI-SCREEN series	25 mm	Upper/middle deck	Screen section, large	5 mm	3 pc.	M20000958
			QM-GRADE 28 rectangular mesh	for MOBI-SCREEN series	28 mm	Upper/middle deck	Screen section, large	6 mm	3 pc.	M20001629
				for MOBI-SCREEN series	28 mm	Upper/middle deck	Screen section, small	6 mm	1 pc.	2195355
			QM-GRADE 30 rectangular mesh	for MOBI-SCREEN series	30 mm	Lower deck	Screen section, large	6 mm	2 pc.	M20001352
				for MOBI-SCREEN series	30 mm	Upper/middle deck	Screen section, large	8 mm	3 pc.	2234516

Original KLEEMANN  
**SCREENING**

WIRE MESH										
Series code	Serial code	Series range	Part	Version	Clear mesh size	Deck	Position	Wire diameter	Requirement	Part no.
MS 16 D	K049	1 - 9999	QM-GRADE 30 rectangular mesh	for MOBI-SCREEN series	30 mm	Upper/middle deck	Screen section, small	8 mm	1 pc.	2234515
				for MOBI-SCREEN series	35 mm	Lower deck	Screen section, large	6 mm	2 pc.	2402975
			QM-GRADE 35 rectangular mesh	for MOBI-SCREEN series	35 mm	Upper/middle deck	Screen section, small	8 mm	1 pc.	M20001726
				for MOBI-SCREEN series	35 mm	Upper/middle deck	Screen section, large	8 mm	3 pc.	M20001727
				for MOBI-SCREEN series	40 mm	Upper/middle deck	Screen section, small	8 mm	1 pc.	M20000626
			QM-GRADE 40 rectangular mesh	for MOBI-SCREEN series	40 mm	Upper/middle deck	Screen section, large	8 mm	3 pc.	M20000625
				for MOBI-SCREEN series	40 mm	Lower deck	Screen section, large	8 mm	2 pc.	M20000832
				for MOBI-SCREEN series	45 mm	Upper/middle deck	Screen section, large	8 mm	3 pc.	M20000642
			QM-GRADE 45 rectangular mesh	for MOBI-SCREEN series	45 mm	Lower deck	Screen section, large	8 mm	2 pc.	2226556
				for MOBI-SCREEN series	45 mm	Upper/middle deck	Screen section, small	8 mm	1 pc.	M20000643
			QM-GRADE 5 rectangular mesh	for MOBI-SCREEN series	5 mm	Lower deck	Screen section, large	2 mm	2 pc.	M20001308



WIRE MESH										
Series code	Serial code	Series range	Part	Version	Clear mesh size	Deck	Position	Wire diameter	Requirement	Part no.
MS 16 D	K049	1 - 9999	QM-GRADE 50 rectangular mesh	for MOBI-SCREEN series	50 mm	Lower deck	Screen section, large	8 mm	2 pc.	M20000817
				for MOBI-SCREEN series	50 mm	Upper/middle deck	Screen section, large	10 mm	3 pc.	M20000686
				for MOBI-SCREEN series	50 mm	Upper/middle deck	Screen section, small	10 mm	1 pc.	M20000687
			QM-GRADE 55 rectangular mesh	for MOBI-SCREEN series	55 mm	Upper/middle deck	Screen section, large	10 mm	3 pc.	M20000627
				for MOBI-SCREEN series	55 mm	Upper/middle deck	Screen section, small	10 mm	1 pc.	M20000628
			QM-GRADE 60 rectangular mesh	for MOBI-SCREEN series	60 mm	Upper/middle deck	Screen section, small	10 mm	1 pc.	M20001066
				for MOBI-SCREEN series	60 mm	Upper/middle deck	Screen section, large	10 mm	3 pc.	M20001065
			QM-GRADE 65 rectangular mesh	for MOBI-SCREEN series	65 mm	Upper/middle deck	Screen section, large	10 mm	3 pc.	M20000688
				for MOBI-SCREEN series	65 mm	Upper/middle deck	Screen section, small	10 mm	1 pc.	M20000689
			QM-GRADE 70 rectangular mesh	for MOBI-SCREEN series	70 mm	Upper/middle deck	Screen section, large	10 mm	3 pc.	M20001400
				for MOBI-SCREEN series	70 mm	Upper/middle deck	Screen section, small	10 mm	1 pc.	M20001399
			QM-GRADE 8 rectangular mesh	for MOBI-SCREEN series	8 mm	Lower deck	Screen section, large	3 mm	2 pc.	M20000761

Original KLEEMANN  
**SCREENING**

WIRE MESH										
Series code	Serial code	Series range	Part	Version	Clear mesh size	Deck	Position	Wire diameter	Requirement	Part no.
MS 16 D	K049	1 - 9999	QM- GRADE 80 rect- angular mesh	for MOBI- SCREEN series	80 mm	Upper/ middle deck	Screen section, large	10 mm	3 pc.	2218851
				for MOBI- SCREEN series	80 mm	Upper/ middle deck	Screen section, small	10 mm	1 pc.	2218853
MS 19 Z	K054	1 - 9999	QM- GRADE 10 rect- angular mesh	for MOBI- SCREEN series	10 mm	Upper/ middle deck	Screen section, large	3 mm	5 pc.	M20001496
				for MOBI- SCREEN series	10 mm	Lower deck	Screen section, large	4 mm	3 pc.	2234498
			QM- GRADE 12 rect- angular mesh	for MOBI- SCREEN series	12 mm	Lower deck	Screen section, large	4 mm	3 pc.	2234501
				for MOBI- SCREEN series	12 mm	Upper/ middle deck	Screen section, large	4 mm	5 pc.	M20000872
			QM- GRADE 13 rect- angular mesh	for MOBI- SCREEN series	13 mm	Upper/ middle deck	Screen section, large	4 mm	5 pc.	M20000621
			QM- GRADE 14 rect- angular mesh	for MOBI- SCREEN series	14 mm	Lower deck	Screen section, large	3 mm	3 pc.	M20000864
				for MOBI- SCREEN series	14 mm	Upper/ middle deck	Screen section, large	4 mm	5 pc.	M20001027
			QM- GRADE 15 rect- angular mesh	for MOBI- SCREEN series	15 mm	Lower deck	Screen section, large	4 mm	3 pc.	2201658
				for MOBI- SCREEN series	15 mm	Upper/ middle deck	Screen section, large	4 mm	5 pc.	M20001735
			QM- GRADE 16 rect- angular mesh	for MOBI- SCREEN series	16 mm	Upper/ middle deck	Screen section, large	4 mm	5 pc.	M20000833





WIRE MESH										
Series code	Serial code	Series range	Part	Version	Clear mesh size	Deck	Position	Wire diameter	Requirement	Part no.
MS 19 Z	K054	1 - 9999	QM-GRADE 18 rectangular mesh	for MOBI-SCREEN series	18 mm	Upper/middle deck	Screen section, large	4 mm	5 pc.	M20001327
			QM-GRADE 20 rectangular mesh	for MOBI-SCREEN series	20 mm	Lower deck	Screen section, large	5 mm	3 pc.	M20001081
				for MOBI-SCREEN series	20 mm	Upper/middle deck	Screen section, large	5 mm	5 pc.	2234507
			QM-GRADE 22 rectangular mesh	for MOBI-SCREEN series	22 mm	Lower deck	Screen section, large	5 mm	3 pc.	M20001591
				for MOBI-SCREEN series	22 mm	Upper/middle deck	Screen section, large	5 mm	5 pc.	M20000690
			QM-GRADE 25 rectangular mesh	for MOBI-SCREEN series	25 mm	Upper/middle deck	Screen section, large	5 mm	5 pc.	M20000958
				for MOBI-SCREEN series	25 mm	Lower deck	Screen section, large	5 mm	3 pc.	M20000693
			QM-GRADE 28 rectangular mesh	for MOBI-SCREEN series	28 mm	Upper/middle deck	Screen section, large	6 mm	5 pc.	M20001629
			QM-GRADE 30 rectangular mesh	for MOBI-SCREEN series	30 mm	Upper/middle deck	Screen section, large	8 mm	5 pc.	2234516
				for MOBI-SCREEN series	30 mm	Lower deck	Screen section, large	6 mm	3 pc.	M20001352
			QM-GRADE 32 rectangular mesh	for MOBI-SCREEN series	32 mm	Upper/middle deck	Screen section, large	7 mm	5 pc.	M20001498

Original KLEEMANN  
**SCREENING**

WIRE MESH										
Series code	Serial code	Series range	Part	Version	Clear mesh size	Deck	Position	Wire diameter	Requirement	Part no.
MS 19 Z	K054	1 - 9999	QM- GRADE 35 rect- angular mesh	for MOBI- SCREEN series	35 mm	Lower deck	Screen section, large	6 mm	3 pc.	2402975
				for MOBI- SCREEN series	35 mm	Upper/ middle deck	Screen section, large	8 mm	5 pc.	M20001727
			QM- GRADE 40 rect- angular mesh	for MOBI- SCREEN series	40 mm	Upper/ middle deck	Screen section, large	8 mm	5 pc.	M20000625
				for MOBI- SCREEN series	40 mm	Lower deck	Screen section, large	8 mm	3 pc.	M20000832
			QM- GRADE 45 rect- angular mesh	for MOBI- SCREEN series	45 mm	Upper/ middle deck	Screen section, large	8 mm	5 pc.	M20000642
				for MOBI- SCREEN series	45 mm	Lower deck	Screen section, large	8 mm	3 pc.	2226556
			QM- GRADE 5 rect- angular mesh	for MOBI- SCREEN series	5 mm	Lower deck	Screen section, large	2 mm	3 pc.	M20001308
			QM- GRADE 50 rect- angular mesh	for MOBI- SCREEN series	50 mm	Upper/ middle deck	Screen section, large	10 mm	5 pc.	M20000686
				for MOBI- SCREEN series	50 mm	Lower deck	Screen section, large	8 mm	3 pc.	M20000817
			QM- GRADE 55 rect- angular mesh	for MOBI- SCREEN series	55 mm	Upper/ middle deck	Screen section, large	10 mm	5 pc.	M20000627
			QM- GRADE 60 rect- angular mesh	for MOBI- SCREEN series	60 mm	Upper/ middle deck	Screen section, large	10 mm	5 pc.	M20001065



WIRE MESH										
Series code	Serial code	Series range	Part	Version	Clear mesh size	Deck	Position	Wire diameter	Requirement	Part no.
MS 19 Z	K054	1 - 9999	QM-GRADE 65 rectangular mesh	for MOBI-SCREEN series	65 mm	Upper/middle deck	Screen section, large	10 mm	5 pc.	M20000688
			QM-GRADE 70 rectangular mesh	for MOBI-SCREEN series	70 mm	Upper/middle deck	Screen section, large	10 mm	5 pc.	M20001400
			QM-GRADE 8 rectangular mesh	for MOBI-SCREEN series	8 mm	Upper/middle deck	Screen section, large	3 mm	5 pc.	M10022614
				for MOBI-SCREEN series	8 mm	Lower deck	Screen section, large	3 mm	3 pc.	M20000761
			QM-GRADE 80 rectangular mesh	for MOBI-SCREEN series	80 mm	Upper/middle deck	Screen section, large	10 mm	5 pc.	2218851
			QM-GRADE 90 rectangular mesh	for MOBI-SCREEN series	90 mm	Upper/middle deck	Screen section, large	10 mm	5 pc.	2202934
MS 19 D	K055	1 - 9999	QM-GRADE 10 rectangular mesh	for MOBI-SCREEN series	10 mm	Lower deck	Screen section, large	4 mm	3 pc.	2234498
				for MOBI-SCREEN series	10 mm	Upper/middle deck	Screen section, large	3 mm	5 pc.	M20001496
			QM-GRADE 12 rectangular mesh	for MOBI-SCREEN series	12 mm	Upper/middle deck	Screen section, large	4 mm	5 pc.	M20000872
				for MOBI-SCREEN series	12 mm	Lower deck	Screen section, large	4 mm	3 pc.	2234501

Original KLEEMANN  
**SCREENING**

WIRE MESH										
Series code	Serial code	Series range	Part	Version	Clear mesh size	Deck	Position	Wire diameter	Requirement	Part no.
MS 19 D	K055	1 - 9999	QM-GRADE 13 rectangular mesh	for MOBI-SCREEN series	13 mm	Upper/middle deck	Screen section, large	4 mm	5 pc.	M20000621
			QM-GRADE 14 rectangular mesh	for MOBI-SCREEN series	14 mm	Upper/middle deck	Screen section, large	4 mm	5 pc.	M20001027
				for MOBI-SCREEN series	14 mm	Lower deck	Screen section, large	3 mm	3 pc.	M20000864
			QM-GRADE 15 rectangular mesh	for MOBI-SCREEN series	15 mm	Upper/middle deck	Screen section, large	4 mm	5 pc.	M20001735
				for MOBI-SCREEN series	15 mm	Lower deck	Screen section, large	4 mm	3 pc.	2201658
			QM-GRADE 16 rectangular mesh	for MOBI-SCREEN series	16 mm	Upper/middle deck	Screen section, large	4 mm	5 pc.	M20000833
			QM-GRADE 18 rectangular mesh	for MOBI-SCREEN series	18 mm	Upper/middle deck	Screen section, large	4 mm	5 pc.	M20001327
			QM-GRADE 20 rectangular mesh	for MOBI-SCREEN series	20 mm	Lower deck	Screen section, large	5 mm	3 pc.	M20001081
				for MOBI-SCREEN series	20 mm	Upper/middle deck	Screen section, large	5 mm	5 pc.	2234507
			QM-GRADE 22 rectangular mesh	for MOBI-SCREEN series	22 mm	Lower deck	Screen section, large	5 mm	3 pc.	M20001591
				for MOBI-SCREEN series	22 mm	Upper/middle deck	Screen section, large	5 mm	5 pc.	M20000690



WIRE MESH										
Series code	Serial code	Series range	Part	Version	Clear mesh size	Deck	Position	Wire diameter	Requirement	Part no.
MS 19 D	K055	1 - 9999	QM-GRADE 25 rectangular mesh	for MOBI-SCREEN series	25 mm	Upper/middle deck	Screen section, large	5 mm	5 pc.	M20000958
				for MOBI-SCREEN series	25 mm	Lower deck	Screen section, large	5 mm	3 pc.	M20000693
			QM-GRADE 28 rectangular mesh	for MOBI-SCREEN series	28 mm	Upper/middle deck	Screen section, large	6 mm	5 pc.	M20001629
			QM-GRADE 30 rectangular mesh	for MOBI-SCREEN series	30 mm	Lower deck	Screen section, large	6 mm	3 pc.	M20001352
				for MOBI-SCREEN series	30 mm	Upper/middle deck	Screen section, large	8 mm	5 pc.	2234516
			QM-GRADE 32 rectangular mesh	for MOBI-SCREEN series	32 mm	Upper/middle deck	Screen section, large	7 mm	5 pc.	M20001498
			QM-GRADE 35 rectangular mesh	for MOBI-SCREEN series	35 mm	Upper/middle deck	Screen section, large	8 mm	5 pc.	M20001727
				for MOBI-SCREEN series	35 mm	Lower deck	Screen section, large	6 mm	3 pc.	2402975
			QM-GRADE 40 rectangular mesh	for MOBI-SCREEN series	40 mm	Upper/middle deck	Screen section, large	8 mm	5 pc.	M20000625
				for MOBI-SCREEN series	40 mm	Lower deck	Screen section, large	8 mm	3 pc.	M20000832
			QM-GRADE 45 rectangular mesh	for MOBI-SCREEN series	45 mm	Upper/middle deck	Screen section, large	8 mm	5 pc.	M20000642
				for MOBI-SCREEN series	45 mm	Lower deck	Screen section, large	8 mm	3 pc.	2226556

Original KLEEMANN  
**SCREENING**

WIRE MESH										
Series code	Serial code	Series range	Part	Version	Clear mesh size	Deck	Position	Wire diameter	Requirement	Part no.
MS 19 D	K055	1 - 9999	QM- GRADE 5 rect- angular mesh	for MOBI- SCREEN series	5 mm	Lower deck	Screen section, large	2 mm	3 pc.	M20001308
			QM- GRADE 50 rect- angular mesh	for MOBI- SCREEN series	50 mm	Upper/ middle deck	Screen section, large	10 mm	5 pc.	M20000686
				for MOBI- SCREEN series	50 mm	Lower deck	Screen section, large	8 mm	3 pc.	M20000817
			QM- GRADE 55 rect- angular mesh	for MOBI- SCREEN series	55 mm	Upper/ middle deck	Screen section, large	10 mm	5 pc.	M20000627
			QM- GRADE 60 rect- angular mesh	for MOBI- SCREEN series	60 mm	Upper/ middle deck	Screen section, large	10 mm	5 pc.	M20001065
			QM- GRADE 65 rect- angular mesh	for MOBI- SCREEN series	65 mm	Upper/ middle deck	Screen section, large	10 mm	5 pc.	M20000688
			QM- GRADE 70 rect- angular mesh	for MOBI- SCREEN series	70 mm	Upper/ middle deck	Screen section, large	10 mm	5 pc.	M20001400
			QM- GRADE 8 rect- angular mesh	for MOBI- SCREEN series	8 mm	Upper/ middle deck	Screen section, large	3 mm	5 pc.	M10022614
				for MOBI- SCREEN series	8 mm	Lower deck	Screen section, large	3 mm	3 pc.	M20000761
			QM- GRADE 80 rect- angular mesh	for MOBI- SCREEN series	80 mm	Upper/ middle deck	Screen section, large	10 mm	5 pc.	2218851



WIRE MESH										
Series code	Serial code	Series range	Part	Version	Clear mesh size	Deck	Position	Wire diameter	Requirement	Part no.
MS 19 D	K055	1 - 9999	QM-GRADE 90 rectangular mesh	for MOBI-SCREEN series	90 mm	Upper/middle deck	Screen section, large	10 mm	5 pc.	2202934
MSS 1102 PRO	K076	1 - 9999	QM-GRADE 10 rectangular mesh	for MOBI-SCREEN series	10 mm	Lower deck	Screen section, large	4 mm	3 pc.	2298740
			QM-GRADE 100 rectangular mesh	for MOBI-SCREEN series	100 mm	Upper deck	Screen section, large	10 mm	5 pc.	2298710
			QM-GRADE 12 rectangular mesh	for MOBI-SCREEN series	12 mm	Lower deck	Screen section, large	4 mm	3 pc.	2298742
			QM-GRADE 15 rectangular mesh	for MOBI-SCREEN series	15 mm	Lower deck	Screen section, large	4 mm	3 pc.	2298743
			QM-GRADE 20 rectangular mesh	for MOBI-SCREEN series	20 mm	Lower deck	Screen section, large	5 mm	3 pc.	2298744
			QM-GRADE 25 rectangular mesh	for MOBI-SCREEN series	25 mm	Lower deck	Screen section, large	6 mm	3 pc.	2298745
			QM-GRADE 30 rectangular mesh	for MOBI-SCREEN series	30 mm	Lower deck	Screen section, large	6 mm	3 pc.	2298746

Original KLEEMANN  
**SCREENING**

WIRE MESH										
Series code	Serial code	Series range	Part	Version	Clear mesh size	Deck	Position	Wire diameter	Requirement	Part no.
MSS 1102 PRO	K076	1 - 9999	QM-GRADE 35 rectangular mesh	for MOBI-SCREEN series	35 mm	Lower deck	Screen section, large	8 mm	3 pc.	2298747
			QM-GRADE 40 rectangular mesh	for MOBI-SCREEN series	40 mm	Lower deck	Screen section, large	8 mm	3 pc.	2298748
			QM-GRADE 50 rectangular mesh	for MOBI-SCREEN series	50 mm	Lower deck	Screen section, large	8 mm	3 pc.	2298749
				for MOBI-SCREEN series	50 mm	Upper deck	Screen section, large	10 mm	5 pc.	2298699
			QM-GRADE 55 rectangular mesh	for MOBI-SCREEN series	55 mm	Lower deck	Screen section, large	10 mm	3 pc.	2693184
				for MOBI-SCREEN series	55 mm	Upper deck	Screen section, large	10 mm	5 pc.	2298700
			QM-GRADE 60 rectangular mesh	for MOBI-SCREEN series	60 mm	Upper deck	Screen section, large	10 mm	5 pc.	2298701
			QM-GRADE 65 rectangular mesh	for MOBI-SCREEN series	65 mm	Upper deck	Screen section, large	10 mm	5 pc.	2298703
			QM-GRADE 70 rectangular mesh	for MOBI-SCREEN series	70 mm	Upper deck	Screen section, large	10 mm	5 pc.	2298704
			QM-GRADE 75 rectangular mesh	for MOBI-SCREEN series	75 mm	Upper deck	Screen section, large	10 mm	5 pc.	2298705





WIRE MESH										
Series code	Serial code	Series range	Part	Version	Clear mesh size	Deck	Position	Wire diameter	Requirement	Part no.
MSS 1102 PRO	K076	1 - 9999	QM-GRADE 80 rectangular mesh	for MOBI-SCREEN series	80 mm	Upper deck	Screen section, large	10 mm	5 pc.	2298706
			QM-GRADE 90 rectangular mesh	for MOBI-SCREEN series	90 mm	Upper deck	Screen section, large	10 mm	5 pc.	2298709
MSS 802 EVO	K082	10 - 9999	QM-GRADE 10 rectangular mesh	for MOBI-SCREEN series	10 mm	Upper deck		4 mm	4 pc.	2428276
			QM-GRADE 10 rectangular mesh	for MOBI-SCREEN series	10 mm	Lower deck		3 mm	3 pc.	3068902
			QM-GRADE 100 rectangular mesh	for MOBI-SCREEN series	100 mm	Upper deck		12 mm	4 pc.	2447154
			QM-GRADE 11 rectangular mesh	for MOBI-SCREEN series	11 mm	Upper deck		4 mm	4 pc.	2447085
			QM-GRADE 12 rectangular mesh	for MOBI-SCREEN series	12 mm	Upper deck		4 mm	4 pc.	2354096
			QM-GRADE 14 rectangular mesh	for MOBI-SCREEN series	14 mm	Lower deck		4 mm	3 pc.	2841677
			QM-GRADE 15 rectangular mesh	for MOBI-SCREEN series	15 mm	Lower deck		4 mm	3 pc.	3072845
			QM-GRADE 15 rectangular mesh	for MOBI-SCREEN series	15 mm	Upper deck		5 mm	4 pc.	2447094

Original KLEEMANN  
**SCREENING**

WIRE MESH										
Series code	Serial code	Series range	Part	Version	Clear mesh size	Deck	Position	Wire diameter	Requirement	Part no.
MSS 802 EVO	K082	10 - 9999	QM-GRADE 16 rectangular mesh	for MOBI-SCREEN series	16 mm	Upper deck		5 mm	4 pc.	2447110
			QM-GRADE 18 rectangular mesh	for MOBI-SCREEN series	18 mm	Upper deck		5 mm	4 pc.	2447118
			QM-GRADE 20 rectangular mesh	for MOBI-SCREEN series	20 mm	Lower deck		5 mm	3 pc.	2722951
				for MOBI-SCREEN series	20 mm	Upper deck		5 mm	4 pc.	2354095
			QM-GRADE 22 rectangular mesh	for MOBI-SCREEN series	22 mm	Lower deck		5 mm	3 pc.	3078684
			QM-GRADE 25 rectangular mesh	for MOBI-SCREEN series	25 mm	Upper deck		6.3 mm	4 pc.	2428275
				for MOBI-SCREEN series	25 mm	Lower deck		5 mm	3 pc.	2662874
			QM-GRADE 3 rectangular mesh	for MOBI-SCREEN series	3 mm	Lower deck		1.6 mm	3 pc.	3068903
			QM-GRADE 30 rectangular mesh	for MOBI-SCREEN series	30 mm	Lower deck		6 mm	3 pc.	2662881
				for MOBI-SCREEN series	30 mm	Upper deck		8 mm	4 pc.	2950561
				for MOBI-SCREEN series	30 mm	Upper deck		8 mm	4 pc.	2447130



WIRE MESH										
Series code	Serial code	Series range	Part	Version	Clear mesh size	Deck	Position	Wire diameter	Requirement	Part no.
MSS 802 EVO	K082	10 - 9999	QM-GRADE 35 rectangular mesh	for MOBI-SCREEN series	35 mm	Upper deck		8 mm	4 pc.	2354093
				for MOBI-SCREEN series	35 mm	Lower deck		8 mm	3 pc.	3020387
			QM-GRADE 38 rectangular mesh	for MOBI-SCREEN series	38 mm	Lower deck		8 mm	3 pc.	2662873
				for MOBI-SCREEN series	38 mm	Upper deck		8 mm	4 pc.	2639254
			QM-GRADE 4 rectangular mesh	for MOBI-SCREEN series	4 mm	Lower deck		1.6 mm	3 pc.	3068896
			QM-GRADE 40 rectangular mesh	for MOBI-SCREEN series	40 mm	Upper deck		8 mm	4 pc.	2447134
				for MOBI-SCREEN series	40 mm	Lower deck		8 mm	3 pc.	2662872
			QM-GRADE 45 rectangular mesh	for MOBI-SCREEN series	45 mm	Upper deck		8 mm	4 pc.	2354091
				for MOBI-SCREEN series	45 mm	Lower deck		8 mm	3 pc.	2662883
			QM-GRADE 50 rectangular mesh	for MOBI-SCREEN series	50 mm	Upper deck		8 mm	4 pc.	2447141
				for MOBI-SCREEN series	50 mm	Lower deck		8 mm	3 pc.	3008231
			QM-GRADE 55 rectangular mesh	for MOBI-SCREEN series	55 mm	Upper deck		10 mm	4 pc.	2447143

Original KLEEMANN  
**SCREENING**

WIRE MESH										
Series code	Serial code	Series range	Part	Version	Clear mesh size	Deck	Position	Wire diameter	Requirement	Part no.
MSS 802 EVO	K082	10 - 9999	QM- GRADE 6 rect- angular mesh	for MOBI- SCREEN series	6 mm	Lower deck		2 mm	3 pc.	3068900
				for MOBI- SCREEN series	6 mm	Upper deck		2.5 mm	4 pc.	2594308
			QM- GRADE 60 rect- angular mesh	for MOBI- SCREEN series	60 mm	Upper deck		10 mm	4 pc.	2447147
			QM- GRADE 65 rect- angular mesh	for MOBI- SCREEN series	65 mm	Upper deck		10 mm	4 pc.	2447148
			QM- GRADE 7 rect- angular mesh	for MOBI- SCREEN series	7 mm	Upper deck		3 mm	4 pc.	2447170
			QM- GRADE 70 rect- angular mesh	for MOBI- SCREEN series	70 mm	Upper deck		10 mm	4 pc.	2447150
			QM- GRADE 75 rect- angular mesh	for MOBI- SCREEN series	75 mm	Upper deck		10 mm	4 pc.	2354086
			QM- GRADE 8 rect- angular mesh	for MOBI- SCREEN series	8 mm	Lower deck		3 mm	3 pc.	3068901
				for MOBI- SCREEN series	8 mm	Upper deck		3 mm	4 pc.	2447171
			QM- GRADE 9 rect- angular mesh	for MOBI- SCREEN series	9 mm	Upper deck		3 mm	4 pc.	2735923



WIRE MESH										
Series code	Serial code	Series range	Part	Version	Clear mesh size	Deck	Position	Wire diameter	Requirement	Part no.
MSS 802 EVO	K082	10 - 9999	QM-GRADE 90 rectangular mesh	for MOBI-SCREEN series	90 mm	Upper deck		12 mm	4 pc.	2447153
MSC 702 EVO	K083	1 - 9999	QM-GRADE 10 rectangular mesh	for MOBI-SCREEN series	10 mm	Lower deck	Screen section, large	4 mm	1 pc.	2453892
				For use with MOBI-SCREEN series and secondary screening units	10 mm	Upper/middle deck	Screen section, small	4 mm	2 pc.	2208580
				for MOBI-SCREEN series	10 mm	Upper/middle deck	Screen section, large	4 mm	2 pc.	2428276
				for MOBI-SCREEN series	10 mm	Lower deck	Screen section, small	4 mm	1 pc.	2447196
			QM-GRADE 100 rectangular mesh	for MOBI-SCREEN series	100 mm	Upper/middle deck	Screen section, large	12 mm	2 pc.	2447154
				for MOBI-SCREEN series	100 mm	Upper/middle deck	Screen section, small	12 mm	2 pc.	2448952
			QM-GRADE 11 rectangular mesh	for MOBI-SCREEN series	11 mm	Lower deck	Screen section, large	4 mm	1 pc.	2453894
				for MOBI-SCREEN series	11 mm	Lower deck	Screen section, small	4 mm	1 pc.	2447202
				for MOBI-SCREEN series	11 mm	Upper/middle deck	Screen section, small	4 mm	2 pc.	2199916
				for MOBI-SCREEN series	11 mm	Upper/middle deck	Screen section, large	4 mm	2 pc.	2447085

Original KLEEMANN  
**SCREENING**

WIRE MESH										
Series code	Serial code	Series range	Part	Version	Clear mesh size	Deck	Position	Wire diameter	Requirement	Part no.
MSC 702 EVO	K083	1 - 9999	QM-GRADE 12 rectangular mesh	for secondary screening units & Mobiscreen series	12 mm	Upper/middle deck	Screen section, small	4 mm	2 pc.	2448849
				for MOBI-SCREEN series	12 mm	Upper/middle deck	Screen section, large	4 mm	2 pc.	2354096
				for MOBI-SCREEN series	12 mm	Lower deck	Screen section, small	4 mm	1 pc.	2447208
				for MOBI-SCREEN series	12 mm	Lower deck	Screen section, large	4 mm	1 pc.	2453898
			QM-GRADE 15 rectangular mesh	for MOBI-SCREEN series	15 mm	Lower deck	Screen section, large	5 mm	1 pc.	2453901
				for MOBI-SCREEN series	15 mm	Upper/middle deck	Screen section, small	5 mm	2 pc.	2448851
				for MOBI-SCREEN series	15 mm	Lower deck	Screen section, small	5 mm	1 pc.	2447216
				for MOBI-SCREEN series	15 mm	Upper/middle deck	Screen section, large	5 mm	2 pc.	2447094
			QM-GRADE 16 rectangular mesh	for MOBI-SCREEN series	16 mm	Upper/middle deck	Screen section, small	5 mm	2 pc.	2448852
				for MOBI-SCREEN series	16 mm	Upper/middle deck	Screen section, large	5 mm	2 pc.	2447110
			QM-GRADE 18 rectangular mesh	for MOBI-SCREEN series	18 mm	Upper/middle deck	Screen section, large	5 mm	2 pc.	2447118
				for MOBI-SCREEN series	18 mm	Upper/middle deck	Screen section, small	5 mm	2 pc.	M10003800



WIRE MESH										
Series code	Serial code	Series range	Part	Version	Clear mesh size	Deck	Position	Wire diameter	Requirement	Part no.
MSC 702 EVO	K083	1 - 9999	QM- GRADE 20 rect- angular mesh	For use with MOBI- SCREEN series and secondary screening units	20 mm	Upper/ middle deck	Screen section, small	5 mm	2 pc.	M10003491
				for MOBI- SCREEN series	20 mm	Lower deck	Screen section, small	5 mm	1 pc.	2447222
				for MOBI- SCREEN series	20 mm	Upper/ middle deck	Screen section, large	5 mm	2 pc.	2354095
				for MOBI- SCREEN series	20 mm	Lower deck	Screen section, large	5 mm	1 pc.	2453902
			QM- GRADE 22 rect- angular mesh	for MOBI- SCREEN series	22 mm	Upper/ middle deck	Screen section, small	6.3 mm	2 pc.	2491566
				for MOBI- SCREEN series	22 mm	Upper/ middle deck	Screen section, large	6.3 mm	2 pc.	2491562
			QM- GRADE 25 rect- angular mesh	for MOBI- SCREEN series	25 mm	Upper/ middle deck	Screen section, large	6 mm	2 pc.	2428275
				for MOBI- SCREEN series	25 mm	Lower deck	Screen section, large	6 mm	1 pc.	2453919
				for MOBI- SCREEN series	25 mm	Lower deck	Screen section, small	6 mm	1 pc.	2447229
				For use with MOBI- SCREEN series and secondary screening units	25 mm	Upper/ middle deck	Screen section, small	6 mm	2 pc.	M20001551

Original KLEEMANN  
**SCREENING**

WIRE MESH										
Series code	Serial code	Series range	Part	Version	Clear mesh size	Deck	Position	Wire diameter	Requirement	Part no.
MSC 702 EVO	K083	1 - 9999	QM- GRADE 28 rect- angular mesh	For use with MOBI- SCREEN series and secondary screening units	28 mm	Upper/ middle deck	Screen section, small	6 mm	2 pc.	M20001713
				for MOBI- SCREEN series	28 mm	Upper/ middle deck	Screen section, large	6 mm	2 pc.	2593549
			QM- GRADE 30 rect- angular mesh	For use with MOBI- SCREEN series and secondary screening units	30 mm	Upper/ middle deck	Screen section, small	8 mm	2 pc.	2234476
				for MOBI- SCREEN series	30 mm	Lower deck	Screen section, small	8 mm	1 pc.	2447231
				for MOBI- SCREEN series	30 mm	Lower deck	Screen section, large	8 mm	1 pc.	2453927
			QM- GRADE 35 rect- angular mesh	for MOBI- SCREEN series	30 mm	Upper/ middle deck	Screen section, large	8 mm	2 pc.	2447130
				for MOBI- SCREEN series	35 mm	Lower deck	Screen section, small	8 mm	1 pc.	2456089
				for MOBI- SCREEN series	35 mm	Upper/ middle deck	Screen section, large	8 mm	2 pc.	2354093
				for MOBI- SCREEN series	35 mm	Lower deck	Screen section, large	8 mm	1 pc.	2621531
				for MOBI- SCREEN series	35 mm	Upper/ middle deck	Screen section, small	8 mm	2 pc.	2448868
				for MOBI- SCREEN series	35 mm	Upper/ middle deck	Screen section, small	8 mm	2 pc.	2448868





WIRE MESH										
Series code	Serial code	Series range	Part	Version	Clear mesh size	Deck	Position	Wire diameter	Requirement	Part no.
MSC 702 EVO	K083	1 - 9999	QM- GRADE 38 rect- angular mesh	for MOBI- SCREEN series	38 mm	Lower deck	Screen section, small	8 mm	1 pc.	2447233
				for MOBI- SCREEN series	38 mm	Lower deck	Screen section, large	8 mm	1 pc.	2453928
				for MOBI- SCREEN series	38 mm	Upper/ middle deck	Screen section, small	8 mm	2 pc.	M10002485
				for MOBI- SCREEN series	38 mm	Upper/ middle deck	Screen section, large	8 mm	2 pc.	2639254
			QM- GRADE 40 rect- angular mesh	For use with MOBI- SCREEN series and secondary screening units	40 mm	Upper/ middle deck	Screen section, small	8 mm	2 pc.	M10005149
				for MOBI- SCREEN series	40 mm	Upper/ middle deck	Screen section, large	8 mm	2 pc.	2447134
				for MOBI- SCREEN series	40 mm	Lower deck	Screen section, large	8 mm	1 pc.	2453931
				for MOBI- SCREEN series	40 mm	Lower deck	Screen section, small	8 mm	1 pc.	2447234
			QM- GRADE 45 rect- angular mesh	for MOBI- SCREEN series	45 mm	Upper/ middle deck	Screen section, large	8 mm	2 pc.	2354091
				For use with MOBI- SCREEN series and secondary screening units	45 mm	Upper/ middle deck	Screen section, small	8 mm	2 pc.	M20001595

Original KLEEMANN  
**SCREENING**

WIRE MESH										
Series code	Serial code	Series range	Part	Version	Clear mesh size	Deck	Position	Wire diameter	Requirement	Part no.
MSC 702 EVO	K083	1 - 9999	QM- GRADE 50 rect- angular mesh	for MOBI- SCREEN series	50 mm	Lower deck	Screen section, large	10 mm	1 pc.	2453933
				for MOBI- SCREEN series	50 mm	Upper/ middle deck	Screen section, large	10 mm	2 pc.	2447141
				for MOBI- SCREEN series	50 mm	Lower deck	Screen section, small	10 mm	1 pc.	2447236
				For use with MOBI- SCREEN series and secondary screening units	50 mm	Upper/ middle deck	Screen section, small	10 mm	2 pc.	M20001298
			QM- GRADE 55 rect- angular mesh	For use with MOBI- SCREEN series and secondary screening units	55 mm	Upper/ middle deck	Screen section, small	10 mm	2 pc.	M20001553
				for MOBI- SCREEN series	55 mm	Upper/ middle deck	Screen section, large	10 mm	2 pc.	2447143
			QM- GRADE 60 rect- angular mesh	For use with MOBI- SCREEN series and secondary screening units	60 mm	Upper/ middle deck	Screen section, small	10 mm	2 pc.	M20001555
				for MOBI- SCREEN series	60 mm	Upper/ middle deck	Screen section, large	10 mm	2 pc.	2447147



WIRE MESH										
Series code	Serial code	Series range	Part	Version	Clear mesh size	Deck	Position	Wire diameter	Requirement	Part no.
MSC 702 EVO	K083	1 - 9999	QM-GRADE 65 rectangular mesh	for MOBI-SCREEN series	65 mm	Upper/middle deck	Screen section, large	10 mm	2 pc.	2447148
				For use with MOBI-SCREEN series and secondary screening units	65 mm	Upper/middle deck	Screen section, small	10 mm	2 pc.	M10010425
			QM-GRADE 7 rectangular mesh	for MOBI-SCREEN series	7 mm	Upper/middle deck	Screen section, small	3 mm	2 pc.	2448953
				for MOBI-SCREEN series	7 mm	Lower deck	Screen section, large	3 mm	1 pc.	2453886
				for MOBI-SCREEN series	7 mm	Upper/middle deck	Screen section, large	3 mm	2 pc.	2447170
				for MOBI-SCREEN series	7 mm	Lower deck	Screen section, small	3 mm	1 pc.	2447173
			QM-GRADE 70 rectangular mesh	for MOBI-SCREEN series	70 mm	Upper/middle deck	Screen section, large	10 mm	2 pc.	2447150
				For use with MOBI-SCREEN series and secondary screening units	70 mm	Upper/middle deck	Screen section, small	10 mm	2 pc.	M20001752
			QM-GRADE 75 rectangular mesh	for MOBI-SCREEN series	75 mm	Upper/middle deck	Screen section, small	10 mm	2 pc.	2448949
				for MOBI-SCREEN series	75 mm	Upper/middle deck	Screen section, large	10 mm	2 pc.	2354086

Original KLEEMANN  
**SCREENING**

WIRE MESH													
Series code	Serial code	Series range	Part	Version	Clear mesh size	Deck	Position	Wire diameter	Requirement	Part no.			
MSC 702 EVO	K083	1 - 9999	QM-GRADE 8 rectangular mesh	For use with MOBI-SCREEN series and secondary screening units	8 mm	Upper/middle deck	Screen section, small	3 mm	2 pc.	2348799			
				for MOBI-SCREEN series	8 mm	Lower deck	Screen section, large	3 mm	1 pc.	2453889			
				for MOBI-SCREEN series	8 mm	Lower deck	Screen section, small	3 mm	1 pc.	2447186			
				for MOBI-SCREEN series	8 mm	Upper/middle deck	Screen section, large	3 mm	2 pc.	2447171			
			QM-GRADE 9 rectangular mesh	for MOBI-SCREEN series	9 mm	Lower deck	Screen section, large	3 mm	1 pc.	2453891			
				for MOBI-SCREEN series	9 mm	Lower deck	Screen section, small	3 mm	1 pc.	2447190			
			QM-GRADE 90 rectangular mesh	for MOBI-SCREEN series	90 mm	Upper/middle deck	Screen section, large	12 mm	2 pc.	2447153			
				for MOBI-SCREEN series	90 mm	Upper/middle deck	Screen section, small	12 mm	2 pc.	2448951			
			MSC 703 EVO	K084	1 - 9999	QM-GRADE 10 rectangular mesh	For use with MOBI-SCREEN series and secondary screening units	10 mm	Upper/middle deck	Screen section, small	4 mm	2 pc.	2208580
							for MOBI-SCREEN series	10 mm	Lower deck	Screen section, large	4 mm	1 pc.	2453892
for MOBI-SCREEN series	10 mm	Upper/middle deck					Screen section, large	4 mm	2 pc.	2428276			



WIRE MESH										
Series code	Serial code	Series range	Part	Version	Clear mesh size	Deck	Position	Wire diameter	Requirement	Part no.
MSC 703 EVO	K084	1 - 9999	QM-GRADE 10 rectangular mesh	for MOBI-SCREEN series	10 mm	Lower deck	Screen section, small	4 mm	1 pc.	2447196
			QM-GRADE 100 rectangular mesh	for MOBI-SCREEN series	100 mm	Upper/middle deck	Screen section, small	12 mm	2 pc.	2448952
				for MOBI-SCREEN series	100 mm	Upper/middle deck	Screen section, large	12 mm	2 pc.	2447154
			QM-GRADE 11 rectangular mesh	for MOBI-SCREEN series	11 mm	Lower deck	Screen section, large	4 mm	1 pc.	2453894
				for MOBI-SCREEN series	11 mm	Upper/middle deck	Screen section, small	4 mm	2 pc.	2199916
				for MOBI-SCREEN series	11 mm	Lower deck	Screen section, small	4 mm	1 pc.	2447202
				for MOBI-SCREEN series	11 mm	Upper/middle deck	Screen section, large	4 mm	2 pc.	2447085
			QM-GRADE 12 rectangular mesh	for MOBI-SCREEN series	12 mm	Lower deck	Screen section, large	4 mm	1 pc.	2453898
				for secondary screening units & Mobiscreen series	12 mm	Upper/middle deck	Screen section, small	4 mm	2 pc.	2448849
				for MOBI-SCREEN series	12 mm	Lower deck	Screen section, small	4 mm	1 pc.	2447208
				for MOBI-SCREEN series	12 mm	Upper/middle deck	Screen section, large	4 mm	2 pc.	2354096

Original KLEEMANN  
**SCREENING**

WIRE MESH										
Series code	Serial code	Series range	Part	Version	Clear mesh size	Deck	Position	Wire diameter	Requirement	Part no.
MSC 703 EVO	K084	1 - 9999	QM- GRADE 15 rect- angular mesh	for MOBI- SCREEN series	15 mm	Upper/ middle deck	Screen section, small	5 mm	2 pc.	2448851
				for MOBI- SCREEN series	15 mm	Lower deck	Screen section, small	5 mm	1 pc.	2447216
				for MOBI- SCREEN series	15 mm	Upper/ middle deck	Screen section, large	5 mm	2 pc.	2447094
				for MOBI- SCREEN series	15 mm	Lower deck	Screen section, large	5 mm	1 pc.	2453901
			QM- GRADE 16 rect- angular mesh	for MOBI- SCREEN series	16 mm	Upper/ middle deck	Screen section, small	5 mm	2 pc.	2448852
				for MOBI- SCREEN series	16 mm	Upper/ middle deck	Screen section, large	5 mm	2 pc.	2447110
			QM- GRADE 18 rect- angular mesh	for MOBI- SCREEN series	18 mm	Upper/ middle deck	Screen section, small	5 mm	2 pc.	M10003800
				for MOBI- SCREEN series	18 mm	Upper/ middle deck	Screen section, large	5 mm	2 pc.	2447118
			QM- GRADE 20 rect- angular mesh	For use with MOBI- SCREEN series and secondary screening units	20 mm	Upper/ middle deck	Screen section, small	5 mm	2 pc.	M10003491
				for MOBI- SCREEN series	20 mm	Upper/ middle deck	Screen section, large	5 mm	2 pc.	2354095
				for MOBI- SCREEN series	20 mm	Lower deck	Screen section, large	5 mm	1 pc.	2453902
				for MOBI- SCREEN series	20 mm	Lower deck	Screen section, small	5 mm	1 pc.	2447222



WIRE MESH										
Series code	Serial code	Series range	Part	Version	Clear mesh size	Deck	Position	Wire diameter	Requirement	Part no.
MSC 703 EVO	K084	1 - 9999	QM- GRADE 22 rect- angular mesh	for MOBI- SCREEN series	22 mm	Upper/ middle deck	Screen section, small	6.3 mm	2 pc.	2491566
				for MOBI- SCREEN series	22 mm	Upper/ middle deck	Screen section, large	6.3 mm	2 pc.	2491562
			QM- GRADE 25 rect- angular mesh	For use with MOBI- SCREEN series and secondary screening units	25 mm	Upper/ middle deck	Screen section, small	6 mm	2 pc.	M20001551
				for MOBI- SCREEN series	25 mm	Lower deck	Screen section, small	6 mm	1 pc.	2447229
				for MOBI- SCREEN series	25 mm	Upper/ middle deck	Screen section, large	6 mm	2 pc.	2428275
				for MOBI- SCREEN series	25 mm	Lower deck	Screen section, large	6 mm	1 pc.	2453919
			QM- GRADE 28 rect- angular mesh	For use with MOBI- SCREEN series and secondary screening units	28 mm	Upper/ middle deck	Screen section, small	6 mm	2 pc.	M20001713
				for MOBI- SCREEN series	28 mm	Upper/ middle deck	Screen section, large	6 mm	2 pc.	2593549
			QM- GRADE 30 rect- angular mesh	For use with MOBI- SCREEN series and secondary screening units	30 mm	Upper/ middle deck	Screen section, small	8 mm	2 pc.	2234476
				for MOBI- SCREEN series	30 mm	Upper/ middle deck	Screen section, large	8 mm	2 pc.	2447130

Original KLEEMANN  
**SCREENING**

WIRE MESH												
Series code	Serial code	Series range	Part	Version	Clear mesh size	Deck	Position	Wire diameter	Requirement	Part no.		
MSC 703 EVO	K084	1 - 9999	QM- GRADE 30 rect- angular mesh	for MOBI- SCREEN series	30 mm	Lower deck	Screen section, large	8 mm	1 pc.	2453927		
				for MOBI- SCREEN series	30 mm	Lower deck	Screen section, small	8 mm	1 pc.	2447231		
			QM- GRADE 35 rect- angular mesh	for MOBI- SCREEN series	35 mm	Upper/ middle deck	Screen section, small	8 mm	2 pc.	2448868		
				for MOBI- SCREEN series	35 mm	Lower deck	Screen section, large	8 mm	1 pc.	2621531		
				for MOBI- SCREEN series	35 mm	Lower deck	Screen section, small	8 mm	1 pc.	2456089		
			QM- GRADE 38 rect- angular mesh	for MOBI- SCREEN series	35 mm	Upper/ middle deck	Screen section, large	8 mm	2 pc.	2354093		
				for MOBI- SCREEN series	38 mm	Upper/ middle deck	Screen section, large	8 mm	2 pc.	2639254		
				for MOBI- SCREEN series	38 mm	Upper/ middle deck	Screen section, small	8 mm	2 pc.	M10002485		
				for MOBI- SCREEN series	38 mm	Lower deck	Screen section, large	8 mm	1 pc.	2453928		
			QM- GRADE 40 rect- angular mesh	for MOBI- SCREEN series	38 mm	Lower deck	Screen section, small	8 mm	1 pc.	2447233		
				for MOBI- SCREEN series	40 mm	Upper/ middle deck	Screen section, large	8 mm	2 pc.	2447134		
				for MOBI- SCREEN series	40 mm	Lower deck	Screen section, large	8 mm	1 pc.	2453931		
						for MOBI- SCREEN series	40 mm	Lower deck	Screen section, small	8 mm	1 pc.	2447234





WIRE MESH										
Series code	Serial code	Series range	Part	Version	Clear mesh size	Deck	Position	Wire diameter	Requirement	Part no.
MSC 703 EVO	K084	1 - 9999	QM-GRADE 40 rectangular mesh	For use with MOBI-SCREEN series and secondary screening units	40 mm	Upper/middle deck	Screen section, small	8 mm	2 pc.	M10005149
			QM-GRADE 45 rectangular mesh	For use with MOBI-SCREEN series and secondary screening units	45 mm	Upper/middle deck	Screen section, small	8 mm	2 pc.	M20001595
				for MOBI-SCREEN series	45 mm	Upper/middle deck	Screen section, large	8 mm	2 pc.	2354091
			QM-GRADE 50 rectangular mesh	for MOBI-SCREEN series	50 mm	Lower deck	Screen section, large	10 mm	1 pc.	2453933
				for MOBI-SCREEN series	50 mm	Lower deck	Screen section, small	10 mm	1 pc.	2447236
				for MOBI-SCREEN series	50 mm	Upper/middle deck	Screen section, large	10 mm	2 pc.	2447141
			For use with MOBI-SCREEN series and secondary screening units	50 mm	Upper/middle deck	Screen section, small	10 mm	2 pc.	M20001298	
			QM-GRADE 55 rectangular mesh	for MOBI-SCREEN series	55 mm	Upper/middle deck	Screen section, large	10 mm	2 pc.	2447143
				For use with MOBI-SCREEN series and secondary screening units	55 mm	Upper/middle deck	Screen section, small	10 mm	2 pc.	M20001553

Original KLEEMANN  
**SCREENING**

WIRE MESH										
Series code	Serial code	Series range	Part	Version	Clear mesh size	Deck	Position	Wire diameter	Requirement	Part no.
MSC 703 EVO	K084	1 - 9999	QM-GRADE 60 rectangular mesh	for MOBI-SCREEN series	60 mm	Upper/middle deck	Screen section, large	10 mm	2 pc.	2447147
				For use with MOBI-SCREEN series and secondary screening units	60 mm	Upper/middle deck	Screen section, small	10 mm	2 pc.	M20001555
			QM-GRADE 65 rectangular mesh	For use with MOBI-SCREEN series and secondary screening units	65 mm	Upper/middle deck	Screen section, small	10 mm	2 pc.	M10010425
				for MOBI-SCREEN series	65 mm	Upper/middle deck	Screen section, large	10 mm	2 pc.	2447148
			QM-GRADE 7 rectangular mesh	for MOBI-SCREEN series	7 mm	Upper/middle deck	Screen section, large	3 mm	2 pc.	2447170
				for MOBI-SCREEN series	7 mm	Lower deck	Screen section, large	3 mm	1 pc.	2453886
				for MOBI-SCREEN series	7 mm	Lower deck	Screen section, small	3 mm	1 pc.	2447173
				for MOBI-SCREEN series	7 mm	Upper/middle deck	Screen section, small	3 mm	2 pc.	2448953
			QM-GRADE 70 rectangular mesh	for MOBI-SCREEN series	70 mm	Upper/middle deck	Screen section, large	10 mm	2 pc.	2447150
				For use with MOBI-SCREEN series and secondary screening units	70 mm	Upper/middle deck	Screen section, small	10 mm	2 pc.	M20001752



WIRE MESH													
Series code	Serial code	Series range	Part	Version	Clear mesh size	Deck	Position	Wire diameter	Requirement	Part no.			
MSC 703 EVO	K084	1 - 9999	QM-GRADE 75 rectangular mesh	for MOBI-SCREEN series	75 mm	Upper/middle deck	Screen section, large	10 mm	2 pc.	2354086			
				for MOBI-SCREEN series	75 mm	Upper/middle deck	Screen section, small	10 mm	2 pc.	2448949			
			QM-GRADE 8 rectangular mesh	for MOBI-SCREEN series	8 mm	Lower deck	Screen section, large	3 mm	1 pc.	2453889			
				for MOBI-SCREEN series	8 mm	Upper/middle deck	Screen section, large	3 mm	2 pc.	2447171			
				For use with MOBI-SCREEN series and secondary screening units	8 mm	Upper/middle deck	Screen section, small	3 mm	2 pc.	2348799			
				for MOBI-SCREEN series	8 mm	Lower deck	Screen section, small	3 mm	1 pc.	2447186			
				for MOBI-SCREEN series	9 mm	Lower deck	Screen section, small	3 mm	1 pc.	2447190			
			QM-GRADE 9 rectangular mesh	for MOBI-SCREEN series	9 mm	Lower deck	Screen section, large	3 mm	1 pc.	2453891			
				for MOBI-SCREEN series	90 mm	Upper/middle deck	Screen section, small	12 mm	2 pc.	2448951			
			QM-GRADE 90 rectangular mesh	for MOBI-SCREEN series	90 mm	Upper/middle deck	Screen section, large	12 mm	2 pc.	2447153			
				for MOBI-SCREEN series	10 mm	Lower deck	Screen section, large	4 mm	3 pc.	2447196			
			MSC 952 EVO	K085	1 - 9999	QM-GRADE 10 rectangular mesh	for MOBI-SCREEN series	10 mm	Upper/middle deck	Screen section, large	4 mm	5 pc.	2428276
							for MOBI-SCREEN series	10 mm	Lower deck	Screen section, large	4 mm	3 pc.	2447196

Original KLEEMANN  
**SCREENING**

WIRE MESH										
Series code	Serial code	Series range	Part	Version	Clear mesh size	Deck	Position	Wire diameter	Requirement	Part no.
MSC 952 EVO	K085	1 - 9999	QM-GRADE 100 rectangular mesh	for MOBI-SCREEN series	100 mm	Upper/middle deck	Screen section, large	12 mm	5 pc.	2447154
			QM-GRADE 11 rectangular mesh	for MOBI-SCREEN series	11 mm	Lower deck	Screen section, large	4 mm	3 pc.	2447202
				for MOBI-SCREEN series	11 mm	Upper/middle deck	Screen section, large	4 mm	5 pc.	2447085
			QM-GRADE 12 rectangular mesh	for MOBI-SCREEN series	12 mm	Lower deck	Screen section, large	4 mm	3 pc.	2447208
				for MOBI-SCREEN series	12 mm	Upper/middle deck	Screen section, large	4 mm	5 pc.	2354096
			QM-GRADE 15 rectangular mesh	for MOBI-SCREEN series	15 mm	Lower deck	Screen section, large	5 mm	3 pc.	2447216
				for MOBI-SCREEN series	15 mm	Upper/middle deck	Screen section, large	5 mm	5 pc.	2447094
			QM-GRADE 16 rectangular mesh	for MOBI-SCREEN series	16 mm	Upper/middle deck	Screen section, large	5 mm	5 pc.	2447110
			QM-GRADE 18 rectangular mesh	for MOBI-SCREEN series	18 mm	Upper/middle deck	Screen section, large	5 mm	5 pc.	2447118
			QM-GRADE 20 rectangular mesh	for MOBI-SCREEN series	20 mm	Upper/middle deck	Screen section, large	5 mm	5 pc.	2354095
				for MOBI-SCREEN series	20 mm	Lower deck	Screen section, large	5 mm	3 pc.	2447222



WIRE MESH										
Series code	Serial code	Series range	Part	Version	Clear mesh size	Deck	Position	Wire diameter	Requirement	Part no.
MSC 952 EVO	K085	1 - 9999	QM-GRADE 22 rectangular mesh	for MOBI-SCREEN series	22 mm	Upper/middle deck	Screen section, large	6.3 mm	5 pc.	2491562
			QM-GRADE 25 rectangular mesh	for MOBI-SCREEN series	25 mm	Upper/middle deck	Screen section, large	6.3 mm	5 pc.	2428275
				for MOBI-SCREEN series	25 mm	Lower deck	Screen section, large	6 mm	3 pc.	2447229
			QM-GRADE 28 rectangular mesh	for MOBI-SCREEN series	28 mm	Upper/middle deck	Screen section, large	6.3 mm	5 pc.	2593549
			QM-GRADE 30 rectangular mesh	for MOBI-SCREEN series	30 mm	Upper/middle deck	Screen section, large	8 mm	5 pc.	2447130
				for MOBI-SCREEN series	30 mm	Lower deck	Screen section, large	8 mm	3 pc.	2447231
			QM-GRADE 32 rectangular mesh	for MOBI-SCREEN series	32 mm	Upper/middle deck	Screen section, large	8 mm	5 pc.	2593554
			QM-GRADE 35 rectangular mesh	for MOBI-SCREEN series	35 mm	Lower deck	Screen section, large	8 mm	3 pc.	2456089
				for MOBI-SCREEN series	35 mm	Upper/middle deck	Screen section, large	8 mm	5 pc.	2354093
			QM-GRADE 38 rectangular mesh	for MOBI-SCREEN series	38 mm	Lower deck	Screen section, large	8 mm	3 pc.	2447233
				for MOBI-SCREEN series	38 mm	Upper/middle deck	Screen section, large	8 mm	5 pc.	2639254

Original KLEEMANN  
**SCREENING**

WIRE MESH										
Series code	Serial code	Series range	Part	Version	Clear mesh size	Deck	Position	Wire diameter	Requirement	Part no.
MSC 952 EVO	K085	1 - 9999	QM- GRADE 40 rect- angular mesh	for MOBI- SCREEN series	40 mm	Upper/ middle deck	Screen section, large	8 mm	5 pc.	2447134
				for MOBI- SCREEN series	40 mm	Lower deck	Screen section, large	8 mm	3 pc.	2447234
			QM- GRADE 45 rect- angular mesh	for MOBI- SCREEN series	45 mm	Upper/ middle deck	Screen section, large	8 mm	5 pc.	2354091
				for MOBI- SCREEN series	45 mm	Lower deck	Screen section, large	8 mm	3 pc.	2593570
			QM- GRADE 50 rect- angular mesh	for MOBI- SCREEN series	50 mm	Lower deck	Screen section, large	10 mm	3 pc.	2447236
				for MOBI- SCREEN series	50 mm	Upper/ middle deck	Screen section, large	8 mm	5 pc.	2447141
			QM- GRADE 55 rect- angular mesh	for MOBI- SCREEN series	55 mm	Upper/ middle deck	Screen section, large	10 mm	5 pc.	2447143
			QM- GRADE 60 rect- angular mesh	for MOBI- SCREEN series	60 mm	Upper/ middle deck	Screen section, large	10 mm	5 pc.	2447147
			QM- GRADE 65 rect- angular mesh	for MOBI- SCREEN series	65 mm	Upper/ middle deck	Screen section, large	10 mm	5 pc.	2447148
			QM- GRADE 7 rect- angular mesh	for MOBI- SCREEN series	7 mm	Upper/ middle deck	Screen section, large	3 mm	5 pc.	2447170
				for MOBI- SCREEN series	7 mm	Lower deck	Screen section, large	3 mm	3 pc.	2447173



WIRE MESH										
Series code	Serial code	Series range	Part	Version	Clear mesh size	Deck	Position	Wire diameter	Requirement	Part no.
MSC 952 EVO	K085	1 - 9999	QM-GRADE 70 rectangular mesh	for MOBI-SCREEN series	70 mm	Upper/middle deck	Screen section, large	10 mm	5 pc.	2447150
			QM-GRADE 75 rectangular mesh	for MOBI-SCREEN series	75 mm	Upper/middle deck	Screen section, large	10 mm	5 pc.	2354086
			QM-GRADE 8 rectangular mesh	for MOBI-SCREEN series	8 mm	Upper/middle deck	Screen section, large	3 mm	5 pc.	2447171
				for MOBI-SCREEN series	8 mm	Lower deck	Screen section, large	3 mm	3 pc.	2447186
			QM-GRADE 9 rectangular mesh	for MOBI-SCREEN series	9 mm	Lower deck	Screen section, large	3 mm	3 pc.	2447190
			QM-GRADE 90 rectangular mesh	for MOBI-SCREEN series	90 mm	Upper/middle deck	Screen section, large	12 mm	5 pc.	2447153
MSC 953 EVO	K086	1 - 9999	QM-GRADE 10 rectangular mesh	for MOBI-SCREEN series	10 mm	Lower deck	Screen section, large	4 mm	3 pc.	2447196
				for MOBI-SCREEN series	10 mm	Upper/middle deck	Screen section, large	4 mm	5 pc.	2428276
			QM-GRADE 100 rectangular mesh	for MOBI-SCREEN series	100 mm	Upper/middle deck	Screen section, large	12 mm	5 pc.	2447154

Original KLEEMANN  
**SCREENING**

WIRE MESH										
Series code	Serial code	Series range	Part	Version	Clear mesh size	Deck	Position	Wire diameter	Requirement	Part no.
MSC 953 EVO	K086	1 - 9999	QM-GRADE 11 rectangular mesh	for MOBI-SCREEN series	11 mm	Lower deck	Screen section, large	4 mm	3 pc.	2447202
				for MOBI-SCREEN series	11 mm	Upper/middle deck	Screen section, large	4 mm	5 pc.	2447085
			QM-GRADE 12 rectangular mesh	for MOBI-SCREEN series	12 mm	Lower deck	Screen section, large	4 mm	3 pc.	2447208
				for MOBI-SCREEN series	12 mm	Upper/middle deck	Screen section, large	4 mm	5 pc.	2354096
			QM-GRADE 15 rectangular mesh	for MOBI-SCREEN series	15 mm	Lower deck	Screen section, large	5 mm	3 pc.	2447216
				for MOBI-SCREEN series	15 mm	Upper/middle deck	Screen section, large	5 mm	5 pc.	2447094
			QM-GRADE 16 rectangular mesh	for MOBI-SCREEN series	16 mm	Upper/middle deck	Screen section, large	5 mm	5 pc.	2447110
			QM-GRADE 18 rectangular mesh	for MOBI-SCREEN series	18 mm	Upper/middle deck	Screen section, large	5 mm	5 pc.	2447118
			QM-GRADE 20 rectangular mesh	for MOBI-SCREEN series	20 mm	Upper/middle deck	Screen section, large	5 mm	5 pc.	2354095
				for MOBI-SCREEN series	20 mm	Lower deck	Screen section, large	5 mm	3 pc.	2447222
			QM-GRADE 22 rectangular mesh	for MOBI-SCREEN series	22 mm	Upper/middle deck	Screen section, large	6.3 mm	5 pc.	2491562





WIRE MESH										
Series code	Serial code	Series range	Part	Version	Clear mesh size	Deck	Position	Wire diameter	Requirement	Part no.
MSC 953 EVO	K086	1 - 9999	QM-GRADE 25 rectangular mesh	for MOBI-SCREEN series	25 mm	Upper/middle deck	Screen section, large	6.3 mm	5 pc.	2428275
				for MOBI-SCREEN series	25 mm	Lower deck	Screen section, large	6 mm	3 pc.	2447229
			QM-GRADE 28 rectangular mesh	for MOBI-SCREEN series	28 mm	Upper/middle deck	Screen section, large	6.3 mm	5 pc.	2593549
			QM-GRADE 30 rectangular mesh	for MOBI-SCREEN series	30 mm	Upper/middle deck	Screen section, large	8 mm	5 pc.	2447130
				for MOBI-SCREEN series	30 mm	Lower deck	Screen section, large	8 mm	3 pc.	2447231
			QM-GRADE 32 rectangular mesh	for MOBI-SCREEN series	32 mm	Upper/middle deck	Screen section, large	8 mm	5 pc.	2593554
			QM-GRADE 35 rectangular mesh	for MOBI-SCREEN series	35 mm	Lower deck	Screen section, large	8 mm	3 pc.	2456089
				for MOBI-SCREEN series	35 mm	Upper/middle deck	Screen section, large	8 mm	5 pc.	2354093
			QM-GRADE 38 rectangular mesh	for MOBI-SCREEN series	38 mm	Lower deck	Screen section, large	8 mm	3 pc.	2447233
				for MOBI-SCREEN series	38 mm	Upper/middle deck	Screen section, large	8 mm	5 pc.	2639254
			QM-GRADE 40 rectangular mesh	for MOBI-SCREEN series	40 mm	Upper/middle deck	Screen section, large	8 mm	5 pc.	2447134
				for MOBI-SCREEN series	40 mm	Lower deck	Screen section, large	8 mm	3 pc.	2447234

Original KLEEMANN  
**SCREENING**

WIRE MESH										
Series code	Serial code	Series range	Part	Version	Clear mesh size	Deck	Position	Wire diameter	Requirement	Part no.
MSC 953 EVO	K086	1 - 9999	QM-GRADE 45 rectangular mesh	for MOBI-SCREEN series	45 mm	Upper/middle deck	Screen section, large	8 mm	5 pc.	2354091
				for MOBI-SCREEN series	45 mm	Lower deck	Screen section, large	8 mm	3 pc.	2593570
			QM-GRADE 50 rectangular mesh	for MOBI-SCREEN series	50 mm	Lower deck	Screen section, large	10 mm	3 pc.	2447236
				for MOBI-SCREEN series	50 mm	Upper/middle deck	Screen section, large	8 mm	5 pc.	2447141
			QM-GRADE 55 rectangular mesh	for MOBI-SCREEN series	55 mm	Upper/middle deck	Screen section, large	10 mm	5 pc.	2447143
			QM-GRADE 60 rectangular mesh	for MOBI-SCREEN series	60 mm	Upper/middle deck	Screen section, large	10 mm	5 pc.	2447147
			QM-GRADE 65 rectangular mesh	for MOBI-SCREEN series	65 mm	Upper/middle deck	Screen section, large	10 mm	5 pc.	2447148
			QM-GRADE 7 rectangular mesh	for MOBI-SCREEN series	7 mm	Upper/middle deck	Screen section, large	3 mm	5 pc.	2447170
				for MOBI-SCREEN series	7 mm	Lower deck	Screen section, large	3 mm	3 pc.	2447173
			QM-GRADE 70 rectangular mesh	for MOBI-SCREEN series	70 mm	Upper/middle deck	Screen section, large	10 mm	5 pc.	2447150



WIRE MESH										
Series code	Serial code	Series range	Part	Version	Clear mesh size	Deck	Position	Wire diameter	Requirement	Part no.
MSC 953 EVO	K086	1 - 9999	QM-GRADE 75 rectangular mesh	for MOBI-SCREEN series	75 mm	Upper/middle deck	Screen section, large	10 mm	5 pc.	2354086
			QM-GRADE 8 rectangular mesh	for MOBI-SCREEN series	8 mm	Upper/middle deck	Screen section, large	3 mm	5 pc.	2447171
				for MOBI-SCREEN series	8 mm	Lower deck	Screen section, large	3 mm	3 pc.	2447186
			QM-GRADE 9 rectangular mesh	for MOBI-SCREEN series	9 mm	Lower deck	Screen section, large	3 mm	3 pc.	2447190
			QM-GRADE 90 rectangular mesh	for MOBI-SCREEN series	90 mm	Upper/middle deck	Screen section, large	12 mm	5 pc.	2447153
MSS 802i EVO	K102	10 - 9999	QM-GRADE 10 rectangular mesh	for MOBI-SCREEN series	10 mm	Lower deck		3 mm	3 pc.	3068902
				for MOBI-SCREEN series	10 mm	Upper deck		4 mm	4 pc.	2428276
			QM-GRADE 100 rectangular mesh	for MOBI-SCREEN series	100 mm	Upper deck		12 mm	4 pc.	2447154
			QM-GRADE 11 rectangular mesh	for MOBI-SCREEN series	11 mm	Upper deck		4 mm	4 pc.	2447085
			QM-GRADE 12 rectangular mesh	for MOBI-SCREEN series	12 mm	Upper deck		4 mm	4 pc.	2354096

Original KLEEMANN  
**SCREENING**

WIRE MESH										
Series code	Serial code	Series range	Part	Version	Clear mesh size	Deck	Position	Wire diameter	Requirement	Part no.
MSS 802i EVO	K102	10 - 9999	QM- GRADE 14 rect- angular mesh	for MOBI- SCREEN series	14 mm	Lower deck		4 mm	3 pc.	2841677
			QM- GRADE 15 rect- angular mesh	for MOBI- SCREEN series	15 mm	Lower deck		4 mm	3 pc.	3072845
				for MOBI- SCREEN series	15 mm	Upper deck		5 mm	4 pc.	2447094
			QM- GRADE 16 rect- angular mesh	for MOBI- SCREEN series	16 mm	Upper deck		5 mm	4 pc.	2447110
			QM- GRADE 18 rect- angular mesh	for MOBI- SCREEN series	18 mm	Upper deck		5 mm	4 pc.	2447118
			QM- GRADE 20 rect- angular mesh	for MOBI- SCREEN series	20 mm	Upper deck		5 mm	4 pc.	2354095
				for MOBI- SCREEN series	20 mm	Lower deck		5 mm	3 pc.	2722951
			QM- GRADE 22 rect- angular mesh	for MOBI- SCREEN series	22 mm	Lower deck		5 mm	3 pc.	3078684
			QM- GRADE 25 rect- angular mesh	for MOBI- SCREEN series	25 mm	Lower deck		5 mm	3 pc.	2662874
				for MOBI- SCREEN series	25 mm	Upper deck		6.3 mm	4 pc.	2428275



WIRE MESH										
Series code	Serial code	Series range	Part	Version	Clear mesh size	Deck	Position	Wire diameter	Requirement	Part no.
MSS 802i EVO	K102	10 - 9999	QM-GRADE 3 rectangular mesh	for MOBI-SCREEN series	3 mm	Lower deck		1.6 mm	3 pc.	3068903
				for MOBI-SCREEN series	30 mm	Upper deck		8 mm	4 pc.	2447130
			QM-GRADE 30 rectangular mesh	for MOBI-SCREEN series	30 mm	Upper deck		8 mm	4 pc.	2950561
				for MOBI-SCREEN series	30 mm	Lower deck		6 mm	3 pc.	2662881
			QM-GRADE 35 rectangular mesh	for MOBI-SCREEN series	35 mm	Upper deck		8 mm	4 pc.	2354093
				for MOBI-SCREEN series	35 mm	Lower deck		8 mm	3 pc.	3020387
			QM-GRADE 38 rectangular mesh	for MOBI-SCREEN series	38 mm	Upper deck		8 mm	4 pc.	2639254
				for MOBI-SCREEN series	38 mm	Lower deck		8 mm	3 pc.	2662873
			QM-GRADE 4 rectangular mesh	for MOBI-SCREEN series	4 mm	Lower deck		1.6 mm	3 pc.	3068896
			QM-GRADE 40 rectangular mesh	for MOBI-SCREEN series	40 mm	Upper deck		8 mm	4 pc.	2447134
				for MOBI-SCREEN series	40 mm	Lower deck		8 mm	3 pc.	2662872

Original KLEEMANN  
**SCREENING**

WIRE MESH										
Series code	Serial code	Series range	Part	Version	Clear mesh size	Deck	Position	Wire diameter	Requirement	Part no.
MSS 802i EVO	K102	10 - 9999	QM- GRADE 45 rect- angular mesh	for MOBI- SCREEN series	45 mm	Upper deck		8 mm	4 pc.	2354091
				for MOBI- SCREEN series	45 mm	Lower deck		8 mm	3 pc.	2662883
			QM- GRADE 50 rect- angular mesh	for MOBI- SCREEN series	50 mm	Upper deck		8 mm	4 pc.	2447141
				for MOBI- SCREEN series	50 mm	Lower deck		8 mm	3 pc.	3008231
			QM- GRADE 55 rect- angular mesh	for MOBI- SCREEN series	55 mm	Upper deck		10 mm	4 pc.	2447143
			QM- GRADE 6 rect- angular mesh	for MOBI- SCREEN series	6 mm	Lower deck		2 mm	3 pc.	3068900
				for MOBI- SCREEN series	6 mm	Upper deck		2.5 mm	4 pc.	2594308
			QM- GRADE 60 rect- angular mesh	for MOBI- SCREEN series	60 mm	Upper deck		10 mm	4 pc.	2447147
			QM- GRADE 65 rect- angular mesh	for MOBI- SCREEN series	65 mm	Upper deck		10 mm	4 pc.	2447148
			QM- GRADE 7 rect- angular mesh	for MOBI- SCREEN series	7 mm	Upper deck		3 mm	4 pc.	2447170



WIRE MESH										
Series code	Serial code	Series range	Part	Version	Clear mesh size	Deck	Position	Wire diameter	Requirement	Part no.
MSS 802i EVO	K102	10 - 9999	QM-GRADE 70 rectangular mesh	for MOBI-SCREEN series	70 mm	Upper deck		10 mm	4 pc.	2447150
			QM-GRADE 75 rectangular mesh	for MOBI-SCREEN series	75 mm	Upper deck		10 mm	4 pc.	2354086
			QM-GRADE 8 rectangular mesh	for MOBI-SCREEN series	8 mm	Lower deck		3 mm	3 pc.	3068901
				for MOBI-SCREEN series	8 mm	Upper deck		3 mm	4 pc.	2447171
			QM-GRADE 9 rectangular mesh	for MOBI-SCREEN series	9 mm	Upper deck		3 mm	4 pc.	2735923
			QM-GRADE 90 rectangular mesh	for MOBI-SCREEN series	90 mm	Upper deck		12 mm	4 pc.	2447153
MSC 702i EVO	K103	1 - 9999	QM-GRADE 10 rectangular mesh	for MOBI-SCREEN series	10 mm	Upper/middle deck	Screen section, large	4 mm	2 pc.	2428276
				for MOBI-SCREEN series	10 mm	Lower deck	Screen section, large	4 mm	1 pc.	2453892
				For use with MOBI-SCREEN series and secondary screening units	10 mm	Upper/middle deck	Screen section, small	4 mm	2 pc.	2208580
				for MOBI-SCREEN series	10 mm	Lower deck	Screen section, small	4 mm	1 pc.	2447196

Original KLEEMANN  
**SCREENING**

WIRE MESH										
Series code	Serial code	Series range	Part	Version	Clear mesh size	Deck	Position	Wire diameter	Requirement	Part no.
MSC 702i EVO	K103	1 - 9999	QM-GRADE 100 rectangular mesh	for MOBI-SCREEN series	100 mm	Upper/middle deck	Screen section, small	12 mm	2 pc.	2448952
				for MOBI-SCREEN series	100 mm	Upper/middle deck	Screen section, large	12 mm	2 pc.	2447154
			QM-GRADE 11 rectangular mesh	for MOBI-SCREEN series	11 mm	Lower deck	Screen section, large	4 mm	1 pc.	2453894
				for MOBI-SCREEN series	11 mm	Upper/middle deck	Screen section, small	4 mm	2 pc.	2199916
				for MOBI-SCREEN series	11 mm	Upper/middle deck	Screen section, large	4 mm	2 pc.	2447085
				for MOBI-SCREEN series	11 mm	Lower deck	Screen section, small	4 mm	1 pc.	2447202
			QM-GRADE 12 rectangular mesh	for MOBI-SCREEN series	12 mm	Lower deck	Screen section, small	4 mm	1 pc.	2447208
				for secondary screening units & Mobiscreen series	12 mm	Upper/middle deck	Screen section, small	4 mm	2 pc.	2448849
				for MOBI-SCREEN series	12 mm	Upper/middle deck	Screen section, large	4 mm	2 pc.	2354096
				for MOBI-SCREEN series	12 mm	Lower deck	Screen section, large	4 mm	1 pc.	2453898
			QM-GRADE 15 rectangular mesh	for MOBI-SCREEN series	15 mm	Lower deck	Screen section, small	5 mm	1 pc.	2447216
				for MOBI-SCREEN series	15 mm	Upper/middle deck	Screen section, large	5 mm	2 pc.	2447094





WIRE MESH										
Series code	Serial code	Series range	Part	Version	Clear mesh size	Deck	Position	Wire diameter	Requirement	Part no.
MSC 702i EVO	K103	1 - 9999	QM-GRADE 15 rectangular mesh	for MOBI-SCREEN series	15 mm	Upper/middle deck	Screen section, small	5 mm	2 pc.	2448851
				for MOBI-SCREEN series	15 mm	Lower deck	Screen section, large	5 mm	1 pc.	2453901
			QM-GRADE 16 rectangular mesh	for MOBI-SCREEN series	16 mm	Upper/middle deck	Screen section, large	5 mm	2 pc.	2447110
				for MOBI-SCREEN series	16 mm	Upper/middle deck	Screen section, small	5 mm	2 pc.	2448852
			QM-GRADE 18 rectangular mesh	for MOBI-SCREEN series	18 mm	Upper/middle deck	Screen section, small	5 mm	2 pc.	M10003800
				for MOBI-SCREEN series	18 mm	Upper/middle deck	Screen section, large	5 mm	2 pc.	2447118
			QM-GRADE 20 rectangular mesh	for MOBI-SCREEN series	20 mm	Lower deck	Screen section, small	5 mm	1 pc.	2447222
				for MOBI-SCREEN series	20 mm	Upper/middle deck	Screen section, large	5 mm	2 pc.	2354095
				for MOBI-SCREEN series	20 mm	Lower deck	Screen section, large	5 mm	1 pc.	2453902
				For use with MOBI-SCREEN series and secondary screening units	20 mm	Upper/middle deck	Screen section, small	5 mm	2 pc.	M10003491
			QM-GRADE 22 rectangular mesh	for MOBI-SCREEN series	22 mm	Upper/middle deck	Screen section, small	6.3 mm	2 pc.	2491566
				for MOBI-SCREEN series	22 mm	Upper/middle deck	Screen section, large	6.3 mm	2 pc.	2491562

Original KLEEMANN  
**SCREENING**

WIRE MESH										
Series code	Serial code	Series range	Part	Version	Clear mesh size	Deck	Position	Wire diameter	Requirement	Part no.
MSC 702i EVO	K103	1 - 9999	QM- GRADE 25 rect- angular mesh	For use with MOBI- SCREEN series and secondary screening units	25 mm	Upper/ middle deck	Screen section, small	6 mm	2 pc.	M20001551
				for MOBI- SCREEN series	25 mm	Upper/ middle deck	Screen section, large	6 mm	2 pc.	2428275
				for MOBI- SCREEN series	25 mm	Lower deck	Screen section, small	6 mm	1 pc.	2447229
				for MOBI- SCREEN series	25 mm	Lower deck	Screen section, large	6 mm	1 pc.	2453919
			QM- GRADE 28 rect- angular mesh	For use with MOBI- SCREEN series and secondary screening units	28 mm	Upper/ middle deck	Screen section, small	6 mm	2 pc.	M20001713
				for MOBI- SCREEN series	28 mm	Upper/ middle deck	Screen section, large	6 mm	2 pc.	2593549
			QM- GRADE 30 rect- angular mesh	For use with MOBI- SCREEN series and secondary screening units	30 mm	Upper/ middle deck	Screen section, small	8 mm	2 pc.	2234476
				for MOBI- SCREEN series	30 mm	Lower deck	Screen section, small	8 mm	1 pc.	2447231
				for MOBI- SCREEN series	30 mm	Upper/ middle deck	Screen section, large	8 mm	2 pc.	2447130
				for MOBI- SCREEN series	30 mm	Lower deck	Screen section, large	8 mm	1 pc.	2453927



WIRE MESH										
Series code	Serial code	Series range	Part	Version	Clear mesh size	Deck	Position	Wire diameter	Requirement	Part no.
MSC 702i EVO	K103	1 - 9999	QM- GRADE 35 rect- angular mesh	for MOBI- SCREEN series	35 mm	Upper/ middle deck	Screen section, large	8 mm	2 pc.	2354093
				for MOBI- SCREEN series	35 mm	Lower deck	Screen section, small	8 mm	1 pc.	2456089
				for MOBI- SCREEN series	35 mm	Lower deck	Screen section, large	8 mm	1 pc.	2621531
				for MOBI- SCREEN series	35 mm	Upper/ middle deck	Screen section, small	8 mm	2 pc.	2448868
			QM- GRADE 38 rect- angular mesh	for MOBI- SCREEN series	38 mm	Lower deck	Screen section, large	8 mm	1 pc.	2453928
				for MOBI- SCREEN series	38 mm	Upper/ middle deck	Screen section, small	8 mm	2 pc.	M10002485
				for MOBI- SCREEN series	38 mm	Upper/ middle deck	Screen section, large	8 mm	2 pc.	2639254
				for MOBI- SCREEN series	38 mm	Lower deck	Screen section, small	8 mm	1 pc.	2447233
			QM- GRADE 40 rect- angular mesh	For use with MOBI- SCREEN series and secondary screening units	40 mm	Upper/ middle deck	Screen section, small	8 mm	2 pc.	M10005149
				for MOBI- SCREEN series	40 mm	Lower deck	Screen section, small	8 mm	1 pc.	2447234
				for MOBI- SCREEN series	40 mm	Upper/ middle deck	Screen section, large	8 mm	2 pc.	2447134
				for MOBI- SCREEN series	40 mm	Lower deck	Screen section, large	8 mm	1 pc.	2453931

Original KLEEMANN  
**SCREENING**

WIRE MESH										
Series code	Serial code	Series range	Part	Version	Clear mesh size	Deck	Position	Wire diameter	Requirement	Part no.
MSC 702i EVO	K103	1 - 9999	QM-GRADE 45 rectangular mesh	for MOBI-SCREEN series	45 mm	Upper/middle deck	Screen section, large	8 mm	2 pc.	2354091
				For use with MOBI-SCREEN series and secondary screening units	45 mm	Upper/middle deck	Screen section, small	8 mm	2 pc.	M20001595
			QM-GRADE 50 rectangular mesh	for MOBI-SCREEN series	50 mm	Lower deck	Screen section, large	10 mm	1 pc.	2453933
				For use with MOBI-SCREEN series and secondary screening units	50 mm	Upper/middle deck	Screen section, small	10 mm	2 pc.	M20001298
			for MOBI-SCREEN series	50 mm	Lower deck	Screen section, small	10 mm	1 pc.	2447236	
			for MOBI-SCREEN series	50 mm	Upper/middle deck	Screen section, large	10 mm	2 pc.	2447141	
			QM-GRADE 55 rectangular mesh	For use with MOBI-SCREEN series and secondary screening units	55 mm	Upper/middle deck	Screen section, small	10 mm	2 pc.	M20001553
				for MOBI-SCREEN series	55 mm	Upper/middle deck	Screen section, large	10 mm	2 pc.	2447143
			QM-GRADE 60 rectangular mesh	For use with MOBI-SCREEN series and secondary screening units	60 mm	Upper/middle deck	Screen section, small	10 mm	2 pc.	M20001555



WIRE MESH										
Series code	Serial code	Series range	Part	Version	Clear mesh size	Deck	Position	Wire diameter	Requirement	Part no.
MSC 702i EVO	K103	1 - 9999	QM-GRADE 60 rectangular mesh	for MOBI-SCREEN series	60 mm	Upper/middle deck	Screen section, large	10 mm	2 pc.	2447147
				for MOBI-SCREEN series	65 mm	Upper/middle deck	Screen section, large	10 mm	2 pc.	2447148
			QM-GRADE 65 rectangular mesh	For use with MOBI-SCREEN series and secondary screening units	65 mm	Upper/middle deck	Screen section, small	10 mm	2 pc.	M10010425
				for MOBI-SCREEN series	7 mm	Upper/middle deck	Screen section, large	3 mm	2 pc.	2447170
				for MOBI-SCREEN series	7 mm	Lower deck	Screen section, large	3 mm	1 pc.	2453886
				for MOBI-SCREEN series	7 mm	Upper/middle deck	Screen section, small	3 mm	2 pc.	2448953
				for MOBI-SCREEN series	7 mm	Lower deck	Screen section, small	3 mm	1 pc.	2447173
				For use with MOBI-SCREEN series and secondary screening units	70 mm	Upper/middle deck	Screen section, small	10 mm	2 pc.	M20001752
				for MOBI-SCREEN series	70 mm	Upper/middle deck	Screen section, large	10 mm	2 pc.	2447150

Original KLEEMANN  
**SCREENING**

WIRE MESH													
Series code	Serial code	Series range	Part	Version	Clear mesh size	Deck	Position	Wire diameter	Requirement	Part no.			
MSC 702i EVO	K103	1 - 9999	QM-GRADE 75 rectangular mesh	for MOBI-SCREEN series	75 mm	Upper/middle deck	Screen section, small	10 mm	2 pc.	2448949			
				for MOBI-SCREEN series	75 mm	Upper/middle deck	Screen section, large	10 mm	2 pc.	2354086			
			QM-GRADE 8 rectangular mesh	for MOBI-SCREEN series	8 mm	Lower deck	Screen section, small	3 mm	1 pc.	2447186			
				For use with MOBI-SCREEN series and secondary screening units	8 mm	Upper/middle deck	Screen section, small	3 mm	2 pc.	2348799			
				for MOBI-SCREEN series	8 mm	Lower deck	Screen section, large	3 mm	1 pc.	2453889			
				for MOBI-SCREEN series	8 mm	Upper/middle deck	Screen section, large	3 mm	2 pc.	2447171			
				QM-GRADE 9 rectangular mesh	for MOBI-SCREEN series	9 mm	Lower deck	Screen section, small	3 mm	1 pc.	2447190		
					for MOBI-SCREEN series	9 mm	Lower deck	Screen section, large	3 mm	1 pc.	2453891		
			QM-GRADE 90 rectangular mesh	for MOBI-SCREEN series	90 mm	Upper/middle deck	Screen section, small	12 mm	2 pc.	2448951			
				for MOBI-SCREEN series	90 mm	Upper/middle deck	Screen section, large	12 mm	2 pc.	2447153			
			MSC 703i EVO	K104	1 - 9999	QM-GRADE 10 rectangular mesh	for MOBI-SCREEN series	10 mm	Lower deck	Screen section, large	4 mm	1 pc.	2453892
							for MOBI-SCREEN series	10 mm	Lower deck	Screen section, small	4 mm	1 pc.	2447196



WIRE MESH										
Series code	Serial code	Series range	Part	Version	Clear mesh size	Deck	Position	Wire diameter	Requirement	Part no.
MSC 703i EVO	K104	1 - 9999	QM-GRADE 10 rectangular mesh	for MOBI-SCREEN series	10 mm	Upper/middle deck	Screen section, large	4 mm	2 pc.	2428276
				For use with MOBI-SCREEN series and secondary screening units	10 mm	Upper/middle deck	Screen section, small	4 mm	2 pc.	2208580
			QM-GRADE 100 rectangular mesh	for MOBI-SCREEN series	100 mm	Upper/middle deck	Screen section, small	12 mm	2 pc.	2448952
				for MOBI-SCREEN series	100 mm	Upper/middle deck	Screen section, large	12 mm	2 pc.	2447154
			QM-GRADE 11 rectangular mesh	for MOBI-SCREEN series	11 mm	Lower deck	Screen section, small	4 mm	1 pc.	2447202
				for MOBI-SCREEN series	11 mm	Lower deck	Screen section, large	4 mm	1 pc.	2453894
				for MOBI-SCREEN series	11 mm	Upper/middle deck	Screen section, large	4 mm	2 pc.	2447085
				for MOBI-SCREEN series	11 mm	Upper/middle deck	Screen section, small	4 mm	2 pc.	2199916
			QM-GRADE 12 rectangular mesh	for MOBI-SCREEN series	12 mm	Lower deck	Screen section, large	4 mm	1 pc.	2453898
				for secondary screening units & Mobiscreen series	12 mm	Upper/middle deck	Screen section, small	4 mm	2 pc.	2448849
				for MOBI-SCREEN series	12 mm	Upper/middle deck	Screen section, large	4 mm	2 pc.	2354096

Original KLEEMANN  
**SCREENING**

WIRE MESH										
Series code	Serial code	Series range	Part	Version	Clear mesh size	Deck	Position	Wire diameter	Requirement	Part no.
MSC 703i EVO	K104	1 - 9999	QM- GRADE 12 rect- angular mesh	for MOBI- SCREEN series	12 mm	Lower deck	Screen section, small	4 mm	1 pc.	2447208
				for MOBI- SCREEN series	15 mm	Lower deck	Screen section, small	5 mm	1 pc.	2447216
			QM- GRADE 15 rect- angular mesh	for MOBI- SCREEN series	15 mm	Lower deck	Screen section, large	5 mm	1 pc.	2453901
				for MOBI- SCREEN series	15 mm	Upper/ middle deck	Screen section, small	5 mm	2 pc.	2448851
				for MOBI- SCREEN series	15 mm	Upper/ middle deck	Screen section, large	5 mm	2 pc.	2447094
			QM- GRADE 16 rect- angular mesh	for MOBI- SCREEN series	16 mm	Upper/ middle deck	Screen section, large	5 mm	2 pc.	2447110
				for MOBI- SCREEN series	16 mm	Upper/ middle deck	Screen section, small	5 mm	2 pc.	2448852
			QM- GRADE 18 rect- angular mesh	for MOBI- SCREEN series	18 mm	Upper/ middle deck	Screen section, small	5 mm	2 pc.	M10003800
				for MOBI- SCREEN series	18 mm	Upper/ middle deck	Screen section, large	5 mm	2 pc.	2447118
			QM- GRADE 20 rect- angular mesh	For use with MOBI- SCREEN series and secondary screening units	20 mm	Upper/ middle deck	Screen section, small	5 mm	2 pc.	M10003491
				for MOBI- SCREEN series	20 mm	Lower deck	Screen section, small	5 mm	1 pc.	2447222





WIRE MESH										
Series code	Serial code	Series range	Part	Version	Clear mesh size	Deck	Position	Wire diameter	Requirement	Part no.
MSC 703i EVO	K104	1 - 9999	QM-GRADE 20 rectangular mesh	for MOBI-SCREEN series	20 mm	Upper/middle deck	Screen section, large	5 mm	2 pc.	2354095
				for MOBI-SCREEN series	20 mm	Lower deck	Screen section, large	5 mm	1 pc.	2453902
			QM-GRADE 22 rectangular mesh	for MOBI-SCREEN series	22 mm	Upper/middle deck	Screen section, large	6.3 mm	2 pc.	2491562
				for MOBI-SCREEN series	22 mm	Upper/middle deck	Screen section, small	6.3 mm	2 pc.	2491566
			QM-GRADE 25 rectangular mesh	for MOBI-SCREEN series	25 mm	Lower deck	Screen section, small	6 mm	1 pc.	2447229
				For use with MOBI-SCREEN series and secondary screening units	25 mm	Upper/middle deck	Screen section, small	6 mm	2 pc.	M20001551
				for MOBI-SCREEN series	25 mm	Lower deck	Screen section, large	6 mm	1 pc.	2453919
				for MOBI-SCREEN series	25 mm	Upper/middle deck	Screen section, large	6 mm	2 pc.	2428275
				for MOBI-SCREEN series	28 mm	Upper/middle deck	Screen section, large	6 mm	2 pc.	2593549
				For use with MOBI-SCREEN series and secondary screening units	28 mm	Upper/middle deck	Screen section, small	6 mm	2 pc.	M20001713

Original KLEEMANN  
**SCREENING**

WIRE MESH										
Series code	Serial code	Series range	Part	Version	Clear mesh size	Deck	Position	Wire diameter	Requirement	Part no.
MSC 703i EVO	K104	1 - 9999	QM- GRADE 30 rect- angular mesh	for MOBI- SCREEN series	30 mm	Lower deck	Screen section, small	8 mm	1 pc.	2447231
				for MOBI- SCREEN series	30 mm	Lower deck	Screen section, large	8 mm	1 pc.	2453927
				For use with MOBI- SCREEN series and secondary screening units	30 mm	Upper/ middle deck	Screen section, small	8 mm	2 pc.	2234476
				for MOBI- SCREEN series	30 mm	Upper/ middle deck	Screen section, large	8 mm	2 pc.	2447130
			QM- GRADE 35 rect- angular mesh	for MOBI- SCREEN series	35 mm	Upper/ middle deck	Screen section, large	8 mm	2 pc.	2354093
				for MOBI- SCREEN series	35 mm	Upper/ middle deck	Screen section, small	8 mm	2 pc.	2448868
				for MOBI- SCREEN series	35 mm	Lower deck	Screen section, small	8 mm	1 pc.	2456089
				for MOBI- SCREEN series	35 mm	Lower deck	Screen section, large	8 mm	1 pc.	2621531
			QM- GRADE 38 rect- angular mesh	for MOBI- SCREEN series	38 mm	Lower deck	Screen section, small	8 mm	1 pc.	2447233
				for MOBI- SCREEN series	38 mm	Upper/ middle deck	Screen section, small	8 mm	2 pc.	M10002485
				for MOBI- SCREEN series	38 mm	Upper/ middle deck	Screen section, large	8 mm	2 pc.	2639254
				for MOBI- SCREEN series	38 mm	Lower deck	Screen section, large	8 mm	1 pc.	2453928



WIRE MESH										
Series code	Serial code	Series range	Part	Version	Clear mesh size	Deck	Position	Wire diameter	Requirement	Part no.
MSC 703i EVO	K104	1 - 9999	QM- GRADE 40 rect- angular mesh	for MOBI- SCREEN series	40 mm	Lower deck	Screen section, small	8 mm	1 pc.	2447234
				for MOBI- SCREEN series	40 mm	Upper/ middle deck	Screen section, large	8 mm	2 pc.	2447134
				for MOBI- SCREEN series	40 mm	Lower deck	Screen section, large	8 mm	1 pc.	2453931
				For use with MOBI- SCREEN series and secondary screening units	40 mm	Upper/ middle deck	Screen section, small	8 mm	2 pc.	M10005149
			QM- GRADE 45 rect- angular mesh	for MOBI- SCREEN series	45 mm	Upper/ middle deck	Screen section, large	8 mm	2 pc.	2354091
				For use with MOBI- SCREEN series and secondary screening units	45 mm	Upper/ middle deck	Screen section, small	8 mm	2 pc.	M20001595
			QM- GRADE 50 rect- angular mesh	for MOBI- SCREEN series	50 mm	Upper/ middle deck	Screen section, large	10 mm	2 pc.	2447141
				for MOBI- SCREEN series	50 mm	Lower deck	Screen section, small	10 mm	1 pc.	2447236
				for MOBI- SCREEN series	50 mm	Lower deck	Screen section, large	10 mm	1 pc.	2453933
				For use with MOBI- SCREEN series and secondary screening units	50 mm	Upper/ middle deck	Screen section, small	10 mm	2 pc.	M20001298

Original KLEEMANN  
**SCREENING**

WIRE MESH										
Series code	Serial code	Series range	Part	Version	Clear mesh size	Deck	Position	Wire diameter	Requirement	Part no.
MSC 703i EVO	K104	1 - 9999	QM-GRADE 55 rectangular mesh	For use with MOBI-SCREEN series and secondary screening units	55 mm	Upper/middle deck	Screen section, small	10 mm	2 pc.	M20001553
				for MOBI-SCREEN series	55 mm	Upper/middle deck	Screen section, large	10 mm	2 pc.	2447143
			QM-GRADE 60 rectangular mesh	For use with MOBI-SCREEN series and secondary screening units	60 mm	Upper/middle deck	Screen section, small	10 mm	2 pc.	M20001555
				for MOBI-SCREEN series	60 mm	Upper/middle deck	Screen section, large	10 mm	2 pc.	2447147
			QM-GRADE 65 rectangular mesh	for MOBI-SCREEN series	65 mm	Upper/middle deck	Screen section, large	10 mm	2 pc.	2447148
				For use with MOBI-SCREEN series and secondary screening units	65 mm	Upper/middle deck	Screen section, small	10 mm	2 pc.	M10010425
			QM-GRADE 7 rectangular mesh	for MOBI-SCREEN series	7 mm	Lower deck	Screen section, small	3 mm	1 pc.	2447173
				for MOBI-SCREEN series	7 mm	Upper/middle deck	Screen section, large	3 mm	2 pc.	2447170
				for MOBI-SCREEN series	7 mm	Lower deck	Screen section, large	3 mm	1 pc.	2453886
				for MOBI-SCREEN series	7 mm	Upper/middle deck	Screen section, small	3 mm	2 pc.	2448953



WIRE MESH										
Series code	Serial code	Series range	Part	Version	Clear mesh size	Deck	Position	Wire diameter	Requirement	Part no.
MSC 703i EVO	K104	1 - 9999	QM-GRADE 70 rectangular mesh	For use with MOBI-SCREEN series and secondary screening units	70 mm	Upper/middle deck	Screen section, small	10 mm	2 pc.	M20001752
				for MOBI-SCREEN series	70 mm	Upper/middle deck	Screen section, large	10 mm	2 pc.	2447150
			QM-GRADE 75 rectangular mesh	for MOBI-SCREEN series	75 mm	Upper/middle deck	Screen section, large	10 mm	2 pc.	2354086
				for MOBI-SCREEN series	75 mm	Upper/middle deck	Screen section, small	10 mm	2 pc.	2448949
			QM-GRADE 8 rectangular mesh	for MOBI-SCREEN series	8 mm	Upper/middle deck	Screen section, large	3 mm	2 pc.	2447171
				For use with MOBI-SCREEN series and secondary screening units	8 mm	Upper/middle deck	Screen section, small	3 mm	2 pc.	2348799
				for MOBI-SCREEN series	8 mm	Lower deck	Screen section, small	3 mm	1 pc.	2447186
				for MOBI-SCREEN series	8 mm	Lower deck	Screen section, large	3 mm	1 pc.	2453889
			QM-GRADE 9 rectangular mesh	for MOBI-SCREEN series	9 mm	Lower deck	Screen section, small	3 mm	1 pc.	2447190
				for MOBI-SCREEN series	9 mm	Lower deck	Screen section, large	3 mm	1 pc.	2453891

Original KLEEMANN  
**SCREENING**

WIRE MESH										
Series code	Serial code	Series range	Part	Version	Clear mesh size	Deck	Position	Wire diameter	Requirement	Part no.
MSC 703i EVO	K104	1 - 9999	QM-GRADE 90 rectangular mesh	for MOBI-SCREEN series	90 mm	Upper/middle deck	Screen section, small	12 mm	2 pc.	2448951
				for MOBI-SCREEN series	90 mm	Upper/middle deck	Screen section, large	12 mm	2 pc.	2447153
MSC 952i EVO	K105	1 - 9999	QM-GRADE 10 rectangular mesh	for MOBI-SCREEN series	10 mm	Lower deck	Screen section, large	4 mm	3 pc.	2447196
				for MOBI-SCREEN series	10 mm	Upper/middle deck	Screen section, large	4 mm	5 pc.	2428276
			QM-GRADE 100 rectangular mesh	for MOBI-SCREEN series	100 mm	Upper/middle deck	Screen section, large	12 mm	5 pc.	2447154
			QM-GRADE 11 rectangular mesh	for MOBI-SCREEN series	11 mm	Upper/middle deck	Screen section, large	4 mm	5 pc.	2447085
				for MOBI-SCREEN series	11 mm	Lower deck	Screen section, large	4 mm	3 pc.	2447202
			QM-GRADE 12 rectangular mesh	for MOBI-SCREEN series	12 mm	Lower deck	Screen section, large	4 mm	3 pc.	2447208
				for MOBI-SCREEN series	12 mm	Upper/middle deck	Screen section, large	4 mm	5 pc.	2354096
			QM-GRADE 15 rectangular mesh	for MOBI-SCREEN series	15 mm	Upper/middle deck	Screen section, large	5 mm	5 pc.	2447094
				for MOBI-SCREEN series	15 mm	Lower deck	Screen section, large	5 mm	3 pc.	2447216
			QM-GRADE 16 rectangular mesh	for MOBI-SCREEN series	16 mm	Upper/middle deck	Screen section, large	5 mm	5 pc.	2447110



WIRE MESH										
Series code	Serial code	Series range	Part	Version	Clear mesh size	Deck	Position	Wire diameter	Requirement	Part no.
MSC 952i EVO	K105	1 - 9999	QM-GRADE 18 rectangular mesh	for MOBI-SCREEN series	18 mm	Upper/middle deck	Screen section, large	5 mm	5 pc.	2447118
			QM-GRADE 20 rectangular mesh	for MOBI-SCREEN series	20 mm	Upper/middle deck	Screen section, large	5 mm	5 pc.	2354095
				for MOBI-SCREEN series	20 mm	Lower deck	Screen section, large	5 mm	3 pc.	2447222
			QM-GRADE 22 rectangular mesh	for MOBI-SCREEN series	22 mm	Upper/middle deck	Screen section, large	6.3 mm	5 pc.	2491562
			QM-GRADE 25 rectangular mesh	for MOBI-SCREEN series	25 mm	Upper/middle deck	Screen section, large	6.3 mm	5 pc.	2428275
				for MOBI-SCREEN series	25 mm	Lower deck	Screen section, large	6 mm	3 pc.	2447229
			QM-GRADE 28 rectangular mesh	for MOBI-SCREEN series	28 mm	Upper/middle deck	Screen section, large	6.3 mm	5 pc.	2593549
			QM-GRADE 30 rectangular mesh	for MOBI-SCREEN series	30 mm	Lower deck	Screen section, large	8 mm	3 pc.	2447231
				for MOBI-SCREEN series	30 mm	Upper/middle deck	Screen section, large	8 mm	5 pc.	2447130
			QM-GRADE 32 rectangular mesh	for MOBI-SCREEN series	32 mm	Upper/middle deck	Screen section, large	8 mm	5 pc.	2593554

Original KLEEMANN  
**SCREENING**

WIRE MESH										
Series code	Serial code	Series range	Part	Version	Clear mesh size	Deck	Position	Wire diameter	Requirement	Part no.
MSC 952i EVO	K105	1 - 9999	QM-GRADE 35 rectangular mesh	for MOBI-SCREEN series	35 mm	Lower deck	Screen section, large	8 mm	3 pc.	2456089
				for MOBI-SCREEN series	35 mm	Upper/middle deck	Screen section, large	8 mm	5 pc.	2354093
			QM-GRADE 38 rectangular mesh	for MOBI-SCREEN series	38 mm	Lower deck	Screen section, large	8 mm	3 pc.	2447233
				for MOBI-SCREEN series	38 mm	Upper/middle deck	Screen section, large	8 mm	5 pc.	2639254
			QM-GRADE 40 rectangular mesh	for MOBI-SCREEN series	40 mm	Upper/middle deck	Screen section, large	8 mm	5 pc.	2447134
				for MOBI-SCREEN series	40 mm	Lower deck	Screen section, large	8 mm	3 pc.	2447234
			QM-GRADE 45 rectangular mesh	for MOBI-SCREEN series	45 mm	Upper/middle deck	Screen section, large	8 mm	5 pc.	2354091
				for MOBI-SCREEN series	45 mm	Lower deck	Screen section, large	8 mm	3 pc.	2593570
			QM-GRADE 50 rectangular mesh	for MOBI-SCREEN series	50 mm	Lower deck	Screen section, large	10 mm	3 pc.	2447236
				for MOBI-SCREEN series	50 mm	Upper/middle deck	Screen section, large	8 mm	5 pc.	2447141
			QM-GRADE 55 rectangular mesh	for MOBI-SCREEN series	55 mm	Upper/middle deck	Screen section, large	10 mm	5 pc.	2447143
			QM-GRADE 60 rectangular mesh	for MOBI-SCREEN series	60 mm	Upper/middle deck	Screen section, large	10 mm	5 pc.	2447147





WIRE MESH										
Series code	Serial code	Series range	Part	Version	Clear mesh size	Deck	Position	Wire diameter	Requirement	Part no.
MSC 952i EVO	K105	1 - 9999	QM-GRADE 65 rectangular mesh	for MOBI-SCREEN series	65 mm	Upper/middle deck	Screen section, large	10 mm	5 pc.	2447148
			QM-GRADE 7 rectangular mesh	for MOBI-SCREEN series	7 mm	Lower deck	Screen section, large	3 mm	3 pc.	2447173
				for MOBI-SCREEN series	7 mm	Upper/middle deck	Screen section, large	3 mm	5 pc.	2447170
			QM-GRADE 70 rectangular mesh	for MOBI-SCREEN series	70 mm	Upper/middle deck	Screen section, large	10 mm	5 pc.	2447150
			QM-GRADE 75 rectangular mesh	for MOBI-SCREEN series	75 mm	Upper/middle deck	Screen section, large	10 mm	5 pc.	2354086
			QM-GRADE 8 rectangular mesh	for MOBI-SCREEN series	8 mm	Lower deck	Screen section, large	3 mm	3 pc.	2447186
				for MOBI-SCREEN series	8 mm	Upper/middle deck	Screen section, large	3 mm	5 pc.	2447171
			QM-GRADE 9 rectangular mesh	for MOBI-SCREEN series	9 mm	Lower deck	Screen section, large	3 mm	3 pc.	2447190
			QM-GRADE 90 rectangular mesh	for MOBI-SCREEN series	90 mm	Upper/middle deck	Screen section, large	12 mm	5 pc.	2447153

Original KLEEMANN  
**SCREENING**

WIRE MESH										
Series code	Serial code	Series range	Part	Version	Clear mesh size	Deck	Position	Wire diameter	Requirement	Part no.
MSC 953i EVO	K106	1 - 9999	QM- GRADE 10 rect- angular mesh	for MOBI- SCREEN series	10 mm	Upper/ middle deck	Screen section, large	4 mm	5 pc.	2428276
				for MOBI- SCREEN series	10 mm	Lower deck	Screen section, large	4 mm	3 pc.	2447196
			QM- GRADE 100 rectan- gular mesh	for MOBI- SCREEN series	100 mm	Upper/ middle deck	Screen section, large	12 mm	5 pc.	2447154
			QM- GRADE 11 rect- angular mesh	for MOBI- SCREEN series	11 mm	Upper/ middle deck	Screen section, large	4 mm	5 pc.	2447085
				for MOBI- SCREEN series	11 mm	Lower deck	Screen section, large	4 mm	3 pc.	2447202
			QM- GRADE 12 rect- angular mesh	for MOBI- SCREEN series	12 mm	Upper/ middle deck	Screen section, large	4 mm	5 pc.	2354096
				for MOBI- SCREEN series	12 mm	Lower deck	Screen section, large	4 mm	3 pc.	2447208
			QM- GRADE 15 rect- angular mesh	for MOBI- SCREEN series	15 mm	Lower deck	Screen section, large	5 mm	3 pc.	2447216
				for MOBI- SCREEN series	15 mm	Upper/ middle deck	Screen section, large	5 mm	5 pc.	2447094
			QM- GRADE 16 rect- angular mesh	for MOBI- SCREEN series	16 mm	Upper/ middle deck	Screen section, large	5 mm	5 pc.	2447110
			QM- GRADE 18 rect- angular mesh	for MOBI- SCREEN series	18 mm	Upper/ middle deck	Screen section, large	5 mm	5 pc.	2447118



WIRE MESH										
Series code	Serial code	Series range	Part	Version	Clear mesh size	Deck	Position	Wire diameter	Requirement	Part no.
MSC 953i EVO	K106	1 - 9999	QM-GRADE 20 rectangular mesh	for MOBI-SCREEN series	20 mm	Upper/middle deck	Screen section, large	5 mm	5 pc.	2354095
				for MOBI-SCREEN series	20 mm	Lower deck	Screen section, large	5 mm	3 pc.	2447222
			QM-GRADE 22 rectangular mesh	for MOBI-SCREEN series	22 mm	Upper/middle deck	Screen section, large	6.3 mm	5 pc.	2491562
			QM-GRADE 25 rectangular mesh	for MOBI-SCREEN series	25 mm	Lower deck	Screen section, large	6 mm	3 pc.	2447229
				for MOBI-SCREEN series	25 mm	Upper/middle deck	Screen section, large	6.3 mm	5 pc.	2428275
			QM-GRADE 28 rectangular mesh	for MOBI-SCREEN series	28 mm	Upper/middle deck	Screen section, large	6.3 mm	5 pc.	2593549
			QM-GRADE 30 rectangular mesh	for MOBI-SCREEN series	30 mm	Lower deck	Screen section, large	8 mm	3 pc.	2447231
				for MOBI-SCREEN series	30 mm	Upper/middle deck	Screen section, large	8 mm	5 pc.	2447130
			QM-GRADE 32 rectangular mesh	for MOBI-SCREEN series	32 mm	Upper/middle deck	Screen section, large	8 mm	5 pc.	2593554
			QM-GRADE 35 rectangular mesh	for MOBI-SCREEN series	35 mm	Upper/middle deck	Screen section, large	8 mm	5 pc.	2354093
				for MOBI-SCREEN series	35 mm	Lower deck	Screen section, large	8 mm	3 pc.	2456089

Original KLEEMANN  
**SCREENING**

WIRE MESH										
Series code	Serial code	Series range	Part	Version	Clear mesh size	Deck	Position	Wire diameter	Requirement	Part no.
MSC 953i EVO	K106	1 - 9999	QM- GRADE 38 rect- angular mesh	for MOBI- SCREEN series	38 mm	Lower deck	Screen section, large	8 mm	3 pc.	2447233
				for MOBI- SCREEN series	38 mm	Upper/ middle deck	Screen section, large	8 mm	5 pc.	2639254
			QM- GRADE 40 rect- angular mesh	for MOBI- SCREEN series	40 mm	Lower deck	Screen section, large	8 mm	3 pc.	2447234
				for MOBI- SCREEN series	40 mm	Upper/ middle deck	Screen section, large	8 mm	5 pc.	2447134
			QM- GRADE 45 rect- angular mesh	for MOBI- SCREEN series	45 mm	Upper/ middle deck	Screen section, large	8 mm	5 pc.	2354091
				for MOBI- SCREEN series	45 mm	Lower deck	Screen section, large	8 mm	3 pc.	2593570
			QM- GRADE 50 rect- angular mesh	for MOBI- SCREEN series	50 mm	Lower deck	Screen section, large	10 mm	3 pc.	2447236
				for MOBI- SCREEN series	50 mm	Upper/ middle deck	Screen section, large	8 mm	5 pc.	2447141
			QM- GRADE 55 rect- angular mesh	for MOBI- SCREEN series	55 mm	Upper/ middle deck	Screen section, large	10 mm	5 pc.	2447143
			QM- GRADE 60 rect- angular mesh	for MOBI- SCREEN series	60 mm	Upper/ middle deck	Screen section, large	10 mm	5 pc.	2447147
			QM- GRADE 65 rect- angular mesh	for MOBI- SCREEN series	65 mm	Upper/ middle deck	Screen section, large	10 mm	5 pc.	2447148



WIRE MESH										
Series code	Serial code	Series range	Part	Version	Clear mesh size	Deck	Position	Wire diameter	Requirement	Part no.
MSC 953i EVO	K106	1 - 9999	QM-GRADE 7 rectangular mesh	for MOBI-SCREEN series	7 mm	Upper/middle deck	Screen section, large	3 mm	5 pc.	2447170
				for MOBI-SCREEN series	7 mm	Lower deck	Screen section, large	3 mm	3 pc.	2447173
			QM-GRADE 70 rectangular mesh	for MOBI-SCREEN series	70 mm	Upper/middle deck	Screen section, large	10 mm	5 pc.	2447150
			QM-GRADE 75 rectangular mesh	for MOBI-SCREEN series	75 mm	Upper/middle deck	Screen section, large	10 mm	5 pc.	2354086
			QM-GRADE 8 rectangular mesh	for MOBI-SCREEN series	8 mm	Upper/middle deck	Screen section, large	3 mm	5 pc.	2447171
				for MOBI-SCREEN series	8 mm	Lower deck	Screen section, large	3 mm	3 pc.	2447186
			QM-GRADE 9 rectangular mesh	for MOBI-SCREEN series	9 mm	Lower deck	Screen section, large	3 mm	3 pc.	2447190
			QM-GRADE 90 rectangular mesh	for MOBI-SCREEN series	90 mm	Upper/middle deck	Screen section, large	12 mm	5 pc.	2447153

# Original KLEEMANN SCREENING

## HARP SCREENS

Genuine KLEEMANN harp screens are generally recommended for use with moist, sticky materials that are difficult to screen.



HARP SCREENS										
Series code	Serial code	Series range	Version	Clear mesh size	Mesh length	Deck	Position	Wire diameter	Requirement	Part no.
MCO 90 EVO2	K120	15 - 9999	G harp screen/piano wire for MOBI-SCREEN series	10 mm		Lower deck - NSE	Screen section, large	2 mm	2 pc.	3063936
			G harp screen/piano wire for MOBI-SCREEN series	2 mm		Lower deck - NSE	Screen section, large	1 mm	3 pc.	3063928
			G harp screen/piano wire for MOBI-SCREEN series	2.5 mm		Lower deck - NSE	Screen section, large	1 mm	3 pc.	3063929
			G harp screen/piano wire for MOBI-SCREEN series	4 mm		Lower deck - NSE	Screen section, large	1.2 mm	3 pc.	3063930
			G harp screen/piano wire for MOBI-SCREEN series	5 mm		Lower deck - NSE	Screen section, large	1.4 mm	3 pc.	3063931
			G harp screen/piano wire for MOBI-SCREEN series	6 mm		Lower deck - NSE	Screen section, large	1.6 mm	3 pc.	3063932



HARP SCREENS										
Series code	Serial code	Series range	Version	Clear mesh size	Mesh length	Deck	Position	Wire diameter	Requirement	Part no.
MCO 90 EVO2	K120	15 - 9999	G harp screen/piano wire for MOBI-SCREEN series	7 mm		Lower deck - NSE	Screen section, large	1.6 mm	3 pc.	3063933
			G harp screen/piano wire for MOBI-SCREEN series	8 mm		Lower deck - NSE	Screen section, large	1.6 mm	3 pc.	3063934
			G harp screen/piano wire for MOBI-SCREEN series	9 mm		Lower deck - NSE	Screen section, large	2 mm	3 pc.	3063935
MCO 90i EVO2	K121	52 - 9999	G harp screen/piano wire for MOBI-SCREEN series	10 mm		Lower deck - NSE	Screen section, large	2 mm	2 pc.	3063936
			G harp screen/piano wire for MOBI-SCREEN series	2 mm		Lower deck - NSE	Screen section, large	1 mm	3 pc.	3063928
			G harp screen/piano wire for MOBI-SCREEN series	2.5 mm		Lower deck - NSE	Screen section, large	1 mm	3 pc.	3063929
			G harp screen/piano wire for MOBI-SCREEN series	4 mm		Lower deck - NSE	Screen section, large	1.2 mm	3 pc.	3063930
			G harp screen/piano wire for MOBI-SCREEN series	5 mm		Lower deck - NSE	Screen section, large	1.4 mm	3 pc.	3063931

Original KLEEMANN  
**SCREENING**

HARP SCREENS										
Series code	Serial code	Series range	Version	Clear mesh size	Mesh length	Deck	Position	Wire diameter	Requirement	Part no.
MCO 90i EVO2	K121	52 - 9999	G harp screen/piano wire for MOBI-SCREEN series	6 mm		Lower deck - NSE	Screen section, large	1.6 mm	3 pc.	3063932
			G harp screen/piano wire for MOBI-SCREEN series	7 mm		Lower deck - NSE	Screen section, large	1.6 mm	3 pc.	3063933
			G harp screen/piano wire for MOBI-SCREEN series	8 mm		Lower deck - NSE	Screen section, large	1.6 mm	3 pc.	3063934
			G harp screen/piano wire for MOBI-SCREEN series	9 mm		Lower deck - NSE	Screen section, large	2 mm	3 pc.	3063935
MR 130i PRO	K125	1 - 9999	G harp screen/piano wire for MOBI-SCREEN series	3 mm		Lower deck - NSE	Screen section, large	3 mm	3 pc.	2974467
			G harp screen/piano wire for MOBI-SCREEN series	5 mm		Lower deck - NSE	Screen section, large	3 mm	3 pc.	2974464
			G harp screen/piano wire for MOBI-SCREEN series	6 mm		Lower deck - NSE	Screen section, large	3 mm	3 pc.	2974465
			G harp screen/piano wire for MOBI-SCREEN series	8 mm		Lower deck - NSE	Screen section, large	3 mm	3 pc.	2974466





HARP SCREENS										
Series code	Serial code	Series range	Version	Clear mesh size	Mesh length	Deck	Position	Wire diameter	Requirement	Part no.
MR 130i PRO	K125	1 - 9999	W harp screen/long slot for MOBI-SCREEN series	4 mm	100 m	Lower deck - NSE	Screen section, large	1.4 mm	3 pc.	2974462
MSS 352 EVO	K067	1 - 9999	G harp screen/piano wire for MOBI-SCREEN series	10 mm		Lower deck	Screen section, large	1.5 mm	1 pc.	2414093
			G harp screen/piano wire for MOBI-SCREEN series	10 mm		Lower deck	Screen section, small	1.5 mm	1 pc.	2414103
			G harp screen/piano wire for MOBI-SCREEN series	12 mm		Lower deck	Screen section, small	1.8 mm	1 pc.	2414104
			G harp screen/piano wire for MOBI-SCREEN series	12 mm		Lower deck	Screen section, large	1.8 mm	1 pc.	2414095
			G harp screen/piano wire for MOBI-SCREEN series	2 mm		Lower deck	Screen section, large	0.7 mm	1 pc.	2414054
			G harp screen/piano wire for MOBI-SCREEN series	2 mm		Lower deck	Screen section, small	0.7 mm	1 pc.	2414096
			G harp screen/piano wire for MOBI-SCREEN series	3 mm		Lower deck	Screen section, large	0.8 mm	1 pc.	2414059
			G harp screen/piano wire for MOBI-SCREEN series	3 mm		Lower deck	Screen section, small	0.8 mm	1 pc.	2414097
			G harp screen/piano wire for MOBI-SCREEN series	4 mm		Lower deck	Screen section, small	1 mm	1 pc.	2414098
			G harp screen/piano wire for MOBI-SCREEN series	4 mm		Lower deck	Screen section, large	1 mm	1 pc.	2414060
			G harp screen/piano wire for MOBI-SCREEN series	5 mm		Lower deck	Screen section, small	1 mm	1 pc.	2414099

Original KLEEMANN  
**SCREENING**

HARP SCREENS										
Series code	Serial code	Series range	Version	Clear mesh size	Mesh length	Deck	Position	Wire diameter	Requirement	Part no.
MSS 352 EVO	K067	1 - 9999	G harp screen/piano wire for MOBI-SCREEN series	5 mm		Lower deck	Screen section, large	1 mm	1 pc.	2414063
			G harp screen/piano wire for MOBI-SCREEN series	6 mm		Lower deck	Screen section, small	1.2 mm	1 pc.	2414100
			G harp screen/piano wire for MOBI-SCREEN series	6 mm		Lower deck	Screen section, large	1.2 mm	1 pc.	2414066
			G harp screen/piano wire for MOBI-SCREEN series	7 mm		Lower deck	Screen section, small	1.4 mm	1 pc.	2414101
			G harp screen/piano wire for MOBI-SCREEN series	7 mm		Lower deck	Screen section, large	1.4 mm	1 pc.	2414067
			G harp screen/piano wire for MOBI-SCREEN series	8 mm		Lower deck	Screen section, large	1.5 mm	1 pc.	2414092
			G harp screen/piano wire for MOBI-SCREEN series	8 mm		Lower deck	Screen section, small	1.5 mm	1 pc.	2414102
			W harp screen/long slot for MOBI-SCREEN series	10 mm	100 m-m	Lower deck	Screen section, large	3 mm	1 pc.	2355274
			W harp screen/long slot for MOBI-SCREEN series	10 mm	100 m-m	Lower deck	Screen section, small	3 mm	1 pc.	2355275
			W harp screen/long slot for MOBI-SCREEN series	10 mm	150 m-m	Lower deck	Screen section, large	2.5 mm	1 pc.	2658789
			W harp screen/long slot for MOBI-SCREEN series	10 mm	150 m-m	Lower deck	Screen section, small	2.5 mm	1 pc.	2658792
			W harp screen/long slot for MOBI-SCREEN series	12 mm	100 m-m	Lower deck	Screen section, large	3 mm	1 pc.	2564795



HARP SCREENS										
Series code	Serial code	Series range	Version	Clear mesh size	Mesh length	Deck	Position	Wire diameter	Requirement	Part no.
MSS 352 EVO	K067	1 - 9999	W harp screen/long slot for MOBI-SCREEN series	12 mm	100 m	Lower deck	Screen section, small	3 mm	1 pc.	2564796
			W harp screen/long slot for MOBI-SCREEN series	12 mm	150 m	Lower deck	Screen section, small	3 mm	1 pc.	2666315
			W harp screen/long slot for MOBI-SCREEN series	12 mm	150 m	Lower deck	Screen section, large	3 mm	1 pc.	2666314
			W harp screen/long slot for MOBI-SCREEN series	15 mm	100 m	Lower deck	Screen section, large	4 mm	1 pc.	2306064
			W harp screen/long slot for MOBI-SCREEN series	15 mm	100 m	Lower deck	Screen section, small	4 mm	1 pc.	2306066
			W harp screen/long slot for MOBI-SCREEN series	8 mm	100 m	Lower deck	Screen section, large	3 mm	1 pc.	2551120
			W harp screen/long slot for MOBI-SCREEN series	8 mm	100 m	Lower deck	Screen section, small	3 mm	1 pc.	2570587
MSS 502 EVO	K066	1 - 9999	G harp screen/piano wire for MOBI-SCREEN series	10 mm		Lower deck	Screen section, large	1.5 mm	2 pc.	2414112
			G harp screen/piano wire for MOBI-SCREEN series	12 mm		Lower deck	Screen section, large	1.8 mm	2 pc.	2414113
			G harp screen/piano wire for MOBI-SCREEN series	2 mm		Lower deck	Screen section, large	0.7 mm	2 pc.	2414105
			G harp screen/piano wire for MOBI-SCREEN series	3 mm		Lower deck	Screen section, large	0.8 mm	2 pc.	2414106
			G harp screen/piano wire for MOBI-SCREEN series	4 mm		Lower deck	Screen section, large	1 mm	2 pc.	2414107

Original KLEEMANN  
**SCREENING**

HARP SCREENS										
Series code	Serial code	Series range	Version	Clear mesh size	Mesh length	Deck	Position	Wire diameter	Requirement	Part no.
MSS 502 EVO	K066	1 - 9999	G harp screen/piano wire for MOBI-SCREEN series	5 mm		Lower deck	Screen section, large	1 mm	2 pc.	2414108
			G harp screen/piano wire for MOBI-SCREEN series	6 mm		Lower deck	Screen section, large	1.2 mm	2 pc.	2414109
			G harp screen/piano wire for MOBI-SCREEN series	8 mm		Lower deck	Screen section, large	1.5 mm	2 pc.	2414111
			W harp screen/long slot for MOBI-SCREEN series	10 mm	150 m-m	Lower deck	Screen section, large	2.5 mm	2 pc.	2235533
			W harp screen/long slot for MOBI-SCREEN series	12 mm	150 m-m	Lower deck	Screen section, large	3 mm	2 pc.	2375349
			W harp screen/long slot for MOBI-SCREEN series	5 mm	150 m-m	Lower deck	Screen section, large	1.8 mm	2 pc.	2373999
			W harp screen/long slot for MOBI-SCREEN series	6 mm	100 m-m	Lower deck	Screen section, large	3 mm	2 pc.	2248956
			W harp screen/long slot for MOBI-SCREEN series	8 mm	150 m-m	Lower deck	Screen section, large	3 mm	2 pc.	2264214
MS 14 Z	K068	1 - 9999	G harp screen/piano wire for MOBI-SCREEN series	10 mm		Lower deck	Screen section, large	1.5 mm	1 pc.	2414126
			G harp screen/piano wire for MOBI-SCREEN series	12 mm		Lower deck	Screen section, large	1.8 mm	1 pc.	2414127
			G harp screen/piano wire for MOBI-SCREEN series	2 mm		Lower deck	Screen section, large	0.7 mm	1 pc.	2414116
			G harp screen/piano wire for MOBI-SCREEN series	3 mm		Lower deck	Screen section, large	0.8 mm	1 pc.	2414117



HARP SCREENS										
Series code	Serial code	Series range	Version	Clear mesh size	Mesh length	Deck	Position	Wire diameter	Requirement	Part no.
MS 14 Z	K068	1 - 9999	G harp screen/piano wire for MOBI-SCREEN series	4 mm		Lower deck	Screen section, large	1 mm	1 pc.	2414118
			G harp screen/piano wire for MOBI-SCREEN series	5 mm		Lower deck	Screen section, large	1 mm	1 pc.	2414119
			G harp screen/piano wire for MOBI-SCREEN series	6 mm		Lower deck	Screen section, large	1.2 mm	1 pc.	2414121
			G harp screen/piano wire for MOBI-SCREEN series	7 mm		Lower deck	Screen section, large	1.4 mm	1 pc.	2414124
			G harp screen/piano wire for MOBI-SCREEN series	8 mm		Lower deck	Screen section, large	1.5 mm	1 pc.	2414125
MS 15 Z-AD	K047	1 - 9999	G harp screen/piano wire for MOBI-SCREEN series	10 mm		Lower deck	Screen section, large	1.5 mm	3 pc.	2414143
			G harp screen/piano wire for MOBI-SCREEN series	12 mm		Lower deck	Screen section, large	1.8 mm	3 pc.	2414145
			G harp screen/piano wire for MOBI-SCREEN series	2 mm		Lower deck	Screen section, large	0.7 mm	3 pc.	2414132
			G harp screen/piano wire for MOBI-SCREEN series	3 mm		Lower deck	Screen section, large	0.8 mm	3 pc.	2414134
			G harp screen/piano wire for MOBI-SCREEN series	4 mm		Lower deck	Screen section, large	1 mm	3 pc.	2414135
			G harp screen/piano wire for MOBI-SCREEN series	5 mm		Lower deck	Screen section, large	1 mm	3 pc.	2414136
			G harp screen/piano wire for MOBI-SCREEN series	6 mm		Lower deck	Screen section, large	1.2 mm	3 pc.	2414138

Original KLEEMANN  
**SCREENING**

HARP SCREENS										
Series code	Serial code	Series range	Version	Clear mesh size	Mesh length	Deck	Position	Wire diameter	Requirement	Part no.
MS 15 Z-AD	K047	1 - 9999	G harp screen/piano wire for MOBI-SCREEN series	8 mm		Lower deck	Screen section, large	1.5 mm	3 pc.	2414142
			W harp screen/long slot for MOBI-SCREEN series	10 mm	100 m-m	Lower deck	Screen section, large	4 mm	3 pc.	2601139
			W harp screen/long slot for MOBI-SCREEN series	12 mm	100 m-m	Lower deck	Screen section, large	3 mm	3 pc.	M20001674
			W harp screen/long slot for MOBI-SCREEN series	20 mm	100 m-m	Lower deck	Screen section, large	5 mm	3 pc.	2363181
			W harp screen/long slot for MOBI-SCREEN series	6 mm	150 m-m	Lower deck	Screen section, large	2 mm	3 pc.	2591014
			W harp screen/long slot for MOBI-SCREEN series	8 mm	150 m-m	Lower deck	Screen section, large	3 mm	3 pc.	2683195
MS 16 Z	K048	1 - 9999	G harp screen/piano wire for MOBI-SCREEN series	10 mm		Lower deck	Screen section, large	1.5 mm	2 pc.	2414154
			G harp screen/piano wire for MOBI-SCREEN series	12 mm		Lower deck	Screen section, large	1.8 mm	2 pc.	2414155
			G harp screen/piano wire for MOBI-SCREEN series	2 mm		Lower deck	Screen section, large	0.7 mm	2 pc.	2414148
			G harp screen/piano wire for MOBI-SCREEN series	3 mm		Lower deck	Screen section, large	0.8 mm	2 pc.	2401395
			G harp screen/piano wire for MOBI-SCREEN series	4 mm		Lower deck	Screen section, large	1 mm	2 pc.	2414149
			G harp screen/piano wire for MOBI-SCREEN series	5 mm		Lower deck	Screen section, large	1 mm	2 pc.	2414150



HARP SCREENS										
Series code	Serial code	Series range	Version	Clear mesh size	Mesh length	Deck	Position	Wire diameter	Requirement	Part no.
MS 16 Z	K048	1 - 9999	G harp screen/piano wire for MOBI-SCREEN series	6 mm		Lower deck	Screen section, large	1.2 mm	2 pc.	M20000644
			G harp screen/piano wire for MOBI-SCREEN series	7 mm		Lower deck	Screen section, large	1.4 mm	2 pc.	2414152
			G harp screen/piano wire for MOBI-SCREEN series	8 mm		Lower deck	Screen section, large	1.5 mm	2 pc.	2414153
			W harp screen/long slot for MOBI-SCREEN series	10 mm	100 m-m	Lower deck	Screen section, large	3 mm	2 pc.	M20001779
			W harp screen/long slot for MOBI-SCREEN series	14 mm	100 m-m	Lower deck	Screen section, large	3 mm	2 pc.	2374863
			W harp screen/long slot for MOBI-SCREEN series	15 mm	150 m-m	Lower deck	Screen section, large	3 mm	2 pc.	2454473
			W harp screen/long slot for MOBI-SCREEN series	4 mm	100 m-m	Lower deck	Screen section, large	2 mm	2 pc.	2580873
			W harp screen/long slot for MOBI-SCREEN series	5 mm	150 m-m	Lower deck	Screen section, large	2 mm	2 pc.	2269616
			W harp screen/long slot for MOBI-SCREEN series	6 mm	150 m-m	Lower deck	Screen section, large	2 mm	2 pc.	2308222
			W harp screen/long slot for MOBI-SCREEN series	7 mm	100 m-m	Lower deck	Screen section, large	2 mm	2 pc.	2331280
			W harp screen/long slot for MOBI-SCREEN series	8 mm	150 m-m	Lower deck	Screen section, large	3 mm	2 pc.	M20001072
MS 16 D	K049	1 - 9999	G harp screen/piano wire for MOBI-SCREEN series	10 mm		Lower deck	Screen section, large	1.5 mm	2 pc.	2414154

Original KLEEMANN  
**SCREENING**

HARP SCREENS										
Series code	Serial code	Series range	Version	Clear mesh size	Mesh length	Deck	Position	Wire diameter	Requirement	Part no.
MS 16 D	K049	1 - 9999	G harp screen/piano wire for MOBI-SCREEN series	12 mm		Lower deck	Screen section, large	1.8 mm	2 pc.	2414155
			G harp screen/piano wire for MOBI-SCREEN series	2 mm		Lower deck	Screen section, large	0.7 mm	2 pc.	2414148
			G harp screen/piano wire for MOBI-SCREEN series	3 mm		Lower deck	Screen section, large	0.8 mm	2 pc.	2401395
			G harp screen/piano wire for MOBI-SCREEN series	4 mm		Lower deck	Screen section, large	1 mm	2 pc.	2414149
			G harp screen/piano wire for MOBI-SCREEN series	5 mm		Lower deck	Screen section, large	1 mm	2 pc.	2414150
			G harp screen/piano wire for MOBI-SCREEN series	6 mm		Lower deck	Screen section, large	1.2 mm	2 pc.	M20000644
			G harp screen/piano wire for MOBI-SCREEN series	7 mm		Lower deck	Screen section, large	1.4 mm	2 pc.	2414152
			G harp screen/piano wire for MOBI-SCREEN series	8 mm		Lower deck	Screen section, large	1.5 mm	2 pc.	2414153
			W harp screen/long slot for MOBI-SCREEN series	10 mm	100 m-m	Lower deck	Screen section, large	3 mm	2 pc.	M20001779
			W harp screen/long slot for MOBI-SCREEN series	14 mm	100 m-m	Lower deck	Screen section, large	3 mm	2 pc.	2374863
			W harp screen/long slot for MOBI-SCREEN series	15 mm	150 m-m	Lower deck	Screen section, large	3 mm	2 pc.	2454473
			W harp screen/long slot for MOBI-SCREEN series	4 mm	100 m-m	Lower deck	Screen section, large	2 mm	2 pc.	2580873





HARP SCREENS										
Series code	Serial code	Series range	Version	Clear mesh size	Mesh length	Deck	Position	Wire diameter	Requirement	Part no.
MS 16 D	K049	1 - 9999	W harp screen/long slot for MOBI-SCREEN series	5 mm	150 m-m	Lower deck	Screen section, large	2 mm	2 pc.	2269616
			W harp screen/long slot for MOBI-SCREEN series	6 mm	150 m-m	Lower deck	Screen section, large	2 mm	2 pc.	2308222
			W harp screen/long slot for MOBI-SCREEN series	7 mm	100 m-m	Lower deck	Screen section, large	2 mm	2 pc.	2331280
			W harp screen/long slot for MOBI-SCREEN series	8 mm	150 m-m	Lower deck	Screen section, large	3 mm	2 pc.	M20001072
MS 19 Z	K054	1 - 9999	G harp screen/piano wire for MOBI-SCREEN series	10 mm		Lower deck	Screen section, large	1.5 mm	3 pc.	2414154
			G harp screen/piano wire for MOBI-SCREEN series	12 mm		Lower deck	Screen section, large	1.8 mm	3 pc.	2414155
			G harp screen/piano wire for MOBI-SCREEN series	2 mm		Lower deck	Screen section, large	0.7 mm	3 pc.	2414148
			G harp screen/piano wire for MOBI-SCREEN series	3 mm		Lower deck	Screen section, large	0.8 mm	3 pc.	2401395
			G harp screen/piano wire for MOBI-SCREEN series	4 mm		Lower deck	Screen section, large	1 mm	3 pc.	2414149
			G harp screen/piano wire for MOBI-SCREEN series	5 mm		Lower deck	Screen section, large	1 mm	3 pc.	2414150
			G harp screen/piano wire for MOBI-SCREEN series	6 mm		Lower deck	Screen section, large	1.2 mm	3 pc.	M20000644
			G harp screen/piano wire for MOBI-SCREEN series	7 mm		Lower deck	Screen section, large	1.4 mm	3 pc.	2414152

Original KLEEMANN  
**SCREENING**

HARP SCREENS										
Series code	Serial code	Series range	Version	Clear mesh size	Mesh length	Deck	Position	Wire diameter	Requirement	Part no.
MS 19 Z	K054	1 - 9999	G harp screen/piano wire for MOBI-SCREEN series	8 mm		Lower deck	Screen section, large	1.5 mm	3 pc.	2414153
			W harp screen/long slot for MOBI-SCREEN series	10 mm	100 m-m	Lower deck	Screen section, large	3 mm	3 pc.	M20001779
			W harp screen/long slot for MOBI-SCREEN series	14 mm	100 m-m	Lower deck	Screen section, large	3 mm	3 pc.	2374863
			W harp screen/long slot for MOBI-SCREEN series	15 mm	150 m-m	Lower deck	Screen section, large	3 mm	3 pc.	2454473
			W harp screen/long slot for MOBI-SCREEN series	4 mm	100 m-m	Lower deck	Screen section, large	2 mm	3 pc.	2580873
			W harp screen/long slot for MOBI-SCREEN series	5 mm	150 m-m	Lower deck	Screen section, large	2 mm	3 pc.	2269616
			W harp screen/long slot for MOBI-SCREEN series	6 mm	150 m-m	Lower deck	Screen section, large	2 mm	3 pc.	2308222
			W harp screen/long slot for MOBI-SCREEN series	7 mm	100 m-m	Lower deck	Screen section, large	2 mm	3 pc.	2331280
			W harp screen/long slot for MOBI-SCREEN series	8 mm	150 m-m	Lower deck	Screen section, large	3 mm	3 pc.	M20001072
MS 19 D	K055	1 - 9999	G harp screen/piano wire for MOBI-SCREEN series	10 mm		Lower deck	Screen section, large	1.5 mm	3 pc.	2414154
			G harp screen/piano wire for MOBI-SCREEN series	12 mm		Lower deck	Screen section, large	1.8 mm	3 pc.	2414155
			G harp screen/piano wire for MOBI-SCREEN series	2 mm		Lower deck	Screen section, large	0.7 mm	3 pc.	2414148



HARP SCREENS										
Series code	Serial code	Series range	Version	Clear mesh size	Mesh length	Deck	Position	Wire diameter	Requirement	Part no.
MS 19 D	K055	1 - 9999	G harp screen/piano wire for MOBI-SCREEN series	3 mm		Lower deck	Screen section, large	0.8 mm	3 pc.	2401395
			G harp screen/piano wire for MOBI-SCREEN series	4 mm		Lower deck	Screen section, large	1 mm	3 pc.	2414149
			G harp screen/piano wire for MOBI-SCREEN series	5 mm		Lower deck	Screen section, large	1 mm	3 pc.	2414150
			G harp screen/piano wire for MOBI-SCREEN series	6 mm		Lower deck	Screen section, large	1.2 mm	3 pc.	M20000644
			G harp screen/piano wire for MOBI-SCREEN series	7 mm		Lower deck	Screen section, large	1.4 mm	3 pc.	2414152
			G harp screen/piano wire for MOBI-SCREEN series	8 mm		Lower deck	Screen section, large	1.5 mm	3 pc.	2414153
			W harp screen/long slot for MOBI-SCREEN series	10 mm	100 m-m	Lower deck	Screen section, large	3 mm	3 pc.	M20001779
			W harp screen/long slot for MOBI-SCREEN series	14 mm	100 m-m	Lower deck	Screen section, large	3 mm	3 pc.	2374863
			W harp screen/long slot for MOBI-SCREEN series	15 mm	150 m-m	Lower deck	Screen section, large	3 mm	3 pc.	2454473
			W harp screen/long slot for MOBI-SCREEN series	4 mm	100 m-m	Lower deck	Screen section, large	2 mm	3 pc.	2580873
			W harp screen/long slot for MOBI-SCREEN series	5 mm	150 m-m	Lower deck	Screen section, large	2 mm	3 pc.	2269616
			W harp screen/long slot for MOBI-SCREEN series	6 mm	150 m-m	Lower deck	Screen section, large	2 mm	3 pc.	2308222

Original KLEEMANN  
**SCREENING**

HARP SCREENS										
Series code	Serial code	Series range	Version	Clear mesh size	Mesh length	Deck	Position	Wire diameter	Requirement	Part no.
MS 19 D	K055	1 - 9999	W harp screen/long slot for MOBI-SCREEN series	7 mm	100 m	Lower deck	Screen section, large	2 mm	3 pc.	2331280
			W harp screen/long slot for MOBI-SCREEN series	8 mm	150 m	Lower deck	Screen section, large	3 mm	3 pc.	M20001072
MSS 802 EVO	K082	10 - 9999	G harp screen/piano wire for MOBI-SCREEN series	4 mm		Lower deck		4 mm	3 pc.	2999888
			G harp screen/piano wire for MOBI-SCREEN series	5 mm		Lower deck		5 mm; 1.6 mm	3 pc.	2999889
			G harp screen/piano wire for MOBI-SCREEN series	6 mm		Lower deck		1.6 mm	3 pc.	2950729
			G harp screen/piano wire for MOBI-SCREEN series	6 mm		Lower deck		6 mm; 2 mm	3 pc.	2999892
			G harp screen/piano wire for MOBI-SCREEN series	8 mm		Lower deck		8 mm; 3 mm	3 pc.	2999896
			W harp screen/long slot for MOBI-SCREEN series	10 mm	100 m	Lower deck		10 mm	3 pc.	2963004
			W harp screen/long slot for MOBI-SCREEN series	6 mm	100 m	Lower deck		6 mm; 2 mm	3 pc.	2978752
			W harp screen/long slot for MOBI-SCREEN series	8 mm	150 m	Lower deck		8 mm; 3 mm	3 pc.	2825553
MSC 702 EVO	K083	1 - 9999	G harp screen/piano wire for MOBI-SCREEN series	2 mm		Lower deck	Screen section, small	1 mm	1 pc.	2354104
			G harp screen/piano wire for MOBI-SCREEN series	2 mm		Lower deck	Screen section, large	1 mm	1 pc.	2453837



HARP SCREENS										
Series code	Serial code	Series range	Version	Clear mesh size	Mesh length	Deck	Position	Wire diameter	Requirement	Part no.
MSC 702 EVO	K083	1 - 9999	G harp screen/piano wire for MOBI-SCREEN series	3 mm		Lower deck	Screen section, small	1 mm	1 pc.	2447447
			G harp screen/piano wire for MOBI-SCREEN series	3 mm		Lower deck	Screen section, large	1 mm	1 pc.	2453840
			G harp screen/piano wire for MOBI-SCREEN series	4 mm		Lower deck	Screen section, large	1.2 mm	1 pc.	2448606
			G harp screen/piano wire for MOBI-SCREEN series	4 mm		Lower deck	Screen section, small	1.2 mm	1 pc.	2447459
			G harp screen/piano wire for MOBI-SCREEN series	5 mm		Lower deck	Screen section, small	1.2 mm	1 pc.	2354103
			G harp screen/piano wire for MOBI-SCREEN series	5 mm		Lower deck	Screen section, large	1.2 mm	1 pc.	2453879
			G harp screen/piano wire for MOBI-SCREEN series	6 mm		Lower deck	Screen section, small	1.6 mm	1 pc.	2428273
			G harp screen/piano wire for MOBI-SCREEN series	6 mm		Lower deck	Screen section, large	1.6 mm	1 pc.	2447936
			G harp screen/piano wire for MOBI-SCREEN series	8 mm		Lower deck	Screen section, small	2 mm	1 pc.	2551178
			G harp screen/piano wire for MOBI-SCREEN series	8 mm		Lower deck	Screen section, large	2 mm	1 pc.	2551179
			W harp screen/long slot for MOBI-SCREEN series	10 mm	150 m-m	Lower deck	Screen section, small	2.5 mm	1 pc.	2673601
			W harp screen/long slot for MOBI-SCREEN series	10 mm	150 m-m	Lower deck	Screen section, large	2.5 mm	1 pc.	2673669

Original KLEEMANN  
**SCREENING**

HARP SCREENS										
Series code	Serial code	Series range	Version	Clear mesh size	Mesh length	Deck	Position	Wire diameter	Requirement	Part no.
MSC 702 EVO	K083	1 - 9999	W harp screen/long slot for MOBI-SCREEN series	6 mm	150 m	Lower deck	Screen section, small	2 mm	1 pc.	2679963
			W harp screen/long slot for MOBI-SCREEN series	6 mm	150 m	Lower deck	Screen section, large	2 mm	1 pc.	2679965
			W harp screen/long slot for MOBI-SCREEN series	8 mm	150 m	Lower deck	Screen section, large	3 mm	1 pc.	2679966
			W harp screen/long slot for MOBI-SCREEN series	8 mm	150 m	Lower deck	Screen section, small	3 mm	1 pc.	2679964
		10 - 9999	S-harp/piano wire for MOBISCREEN series	10 mm		Lower deck	Screen section, small; Screen section, large	10 mm	1 pc.	2634386
			S-harp/piano wire for MOBISCREEN series	6 mm		Lower deck	Screen section, small	6 mm; 2.5 mm	1 pc.	2731135
			S-harp/piano wire for MOBISCREEN series	6 mm		Lower deck	Screen section, large	6 mm; 2.5 mm	1 pc.	2731136
			S-harp/piano wire for MOBISCREEN series	8 mm		Lower deck	Screen section, large	8 mm; 2.5 mm	1 pc.	2731138
			G harp screen/piano wire for MOBI-SCREEN series	8 mm		Lower deck	Screen section, small	8 mm; 2.5 mm	1 pc.	2731137
		MSC 703 EVO	K084	1 - 9999	G harp screen/piano wire for MOBI-SCREEN series	2 mm		Lower deck	Screen section, large	1 mm
G harp screen/piano wire for MOBI-SCREEN series	2 mm					Lower deck	Screen section, small	1 mm	1 pc.	2354104



HARP SCREENS										
Series code	Serial code	Series range	Version	Clear mesh size	Mesh length	Deck	Position	Wire diameter	Requirement	Part no.
MSC 703 EVO	K084	1 - 9999	G harp screen/piano wire for MOBI-SCREEN series	3 mm		Lower deck	Screen section, small	1 mm	1 pc.	2447447
			G harp screen/piano wire for MOBI-SCREEN series	3 mm		Lower deck	Screen section, large	1 mm	1 pc.	2453840
			G harp screen/piano wire for MOBI-SCREEN series	4 mm		Lower deck	Screen section, small	1.2 mm	1 pc.	2447459
			G harp screen/piano wire for MOBI-SCREEN series	4 mm		Lower deck	Screen section, large	1.2 mm	1 pc.	2448606
			G harp screen/piano wire for MOBI-SCREEN series	5 mm		Lower deck	Screen section, small	1.2 mm	1 pc.	2354103
			G harp screen/piano wire for MOBI-SCREEN series	5 mm		Lower deck	Screen section, large	1.2 mm	1 pc.	2453879
			G harp screen/piano wire for MOBI-SCREEN series	6 mm		Lower deck	Screen section, large	1.6 mm	1 pc.	2447936
			G harp screen/piano wire for MOBI-SCREEN series	6 mm		Lower deck	Screen section, small	1.6 mm	1 pc.	2428273
			G harp screen/piano wire for MOBI-SCREEN series	8 mm		Lower deck	Screen section, small	2 mm	1 pc.	2551178
			G harp screen/piano wire for MOBI-SCREEN series	8 mm		Lower deck	Screen section, large	2 mm	1 pc.	2551179
			W harp screen/long slot for MOBI-SCREEN series	10 mm	150 m-m	Lower deck	Screen section, large	2.5 mm	1 pc.	2673669
			W harp screen/long slot for MOBI-SCREEN series	10 mm	150 m-m	Lower deck	Screen section, small	2.5 mm	1 pc.	2673601

Original KLEEMANN  
**SCREENING**

HARP SCREENS										
Series code	Serial code	Series range	Version	Clear mesh size	Mesh length	Deck	Position	Wire diameter	Requirement	Part no.
MSC 703 EVO	K084	1 - 9999	W harp screen/long slot for MOBI-SCREEN series	6 mm	150 m	Lower deck	Screen section, large	2 mm	1 pc.	2679965
			W harp screen/long slot for MOBI-SCREEN series	6 mm	150 m	Lower deck	Screen section, small	2 mm	1 pc.	2679963
			W harp screen/long slot for MOBI-SCREEN series	8 mm	150 m	Lower deck	Screen section, small	3 mm	1 pc.	2679964
			W harp screen/long slot for MOBI-SCREEN series	8 mm	150 m	Lower deck	Screen section, large	3 mm	1 pc.	2679966
		10 - 9999	S-harp/piano wire for MOBISCREEN series	10 mm		Lower deck	Screen section, small; Screen section, large	10 mm	1 pc.	2634386
			S-harp/piano wire for MOBISCREEN series	6 mm		Lower deck	Screen section, small	6 mm; 2.5 mm	1 pc.	2731135
			S-harp/piano wire for MOBISCREEN series	6 mm		Lower deck	Screen section, large	6 mm; 2.5 mm	1 pc.	2731136
			S-harp/piano wire for MOBISCREEN series	8 mm		Lower deck	Screen section, large	8 mm; 2.5 mm	1 pc.	2731138
			G harp screen/piano wire for MOBI-SCREEN series	8 mm		Lower deck	Screen section, small	8 mm; 2.5 mm	1 pc.	2731137
		MSC 952 EVO	K085	1 - 9999	G harp screen/piano wire for MOBI-SCREEN series	2 mm		Lower deck	Screen section, large	1 mm
G harp screen/piano wire for MOBI-SCREEN series	3 mm					Lower deck	Screen section, large	1 mm	3 pc.	2447447





HARP SCREENS										
Series code	Serial code	Series range	Version	Clear mesh size	Mesh length	Deck	Position	Wire diameter	Requirement	Part no.
MSC 952 EVO	K085	1 - 9999	G harp screen/piano wire for MOBI-SCREEN series	4 mm		Lower deck	Screen section, large	1.2 mm	3 pc.	2447459
			G harp screen/piano wire for MOBI-SCREEN series	5 mm		Lower deck	Screen section, large	1.2 mm	3 pc.	2354103
			G harp screen/piano wire for MOBI-SCREEN series	6 mm		Lower deck	Screen section, large	1.6 mm	3 pc.	2428273
			G harp screen/piano wire for MOBI-SCREEN series	8 mm		Lower deck	Screen section, large	2 mm	3 pc.	2551178
			W harp screen/long slot for MOBI-SCREEN series	10 mm	150 m	Lower deck	Screen section, large	2.5 mm	3 pc.	2673601
			W harp screen/long slot for MOBI-SCREEN series	6 mm	150 m	Lower deck	Screen section, large	2 mm	3 pc.	2679963
			W harp screen/long slot for MOBI-SCREEN series	8 mm	150 m	Lower deck	Screen section, large	3 mm	3 pc.	2679964
		10 - 9999	S-harp/piano wire for MOBISCREEN series	10 mm		Lower deck	Screen section, small	10 mm	3 pc.	2634386
			S-harp/piano wire for MOBISCREEN series	6 mm		Lower deck	Screen section, small	6 mm; 2.5 mm	3 pc.	2731135
			G harp screen/piano wire for MOBI-SCREEN series	8 mm		Lower deck	Screen section, small	8 mm; 2.5 mm	3 pc.	2731137
MSC 953 EVO	K086	1 - 9999	G harp screen/piano wire for MOBI-SCREEN series	2 mm		Lower deck	Screen section, large	1 mm	3 pc.	2354104
			G harp screen/piano wire for MOBI-SCREEN series	3 mm		Lower deck	Screen section, large	1 mm	3 pc.	2447447

Original KLEEMANN  
**SCREENING**

HARP SCREENS										
Series code	Serial code	Series range	Version	Clear mesh size	Mesh length	Deck	Position	Wire diameter	Requirement	Part no.
MSC 953 EVO	K086	1 - 9999	G harp screen/piano wire for MOBI-SCREEN series	4 mm		Lower deck	Screen section, large	1.2 mm	3 pc.	2447459
			G harp screen/piano wire for MOBI-SCREEN series	5 mm		Lower deck	Screen section, large	1.2 mm	3 pc.	2354103
			G harp screen/piano wire for MOBI-SCREEN series	6 mm		Lower deck	Screen section, large	1.6 mm	3 pc.	2428273
			G harp screen/piano wire for MOBI-SCREEN series	8 mm		Lower deck	Screen section, large	2 mm	3 pc.	2551178
			W harp screen/long slot for MOBI-SCREEN series	10 mm	150 m-m	Lower deck	Screen section, large	2.5 mm	3 pc.	2673601
			W harp screen/long slot for MOBI-SCREEN series	6 mm	150 m-m	Lower deck	Screen section, large	2 mm	3 pc.	2679963
			W harp screen/long slot for MOBI-SCREEN series	8 mm	150 m-m	Lower deck	Screen section, large	3 mm	3 pc.	2679964
		10 - 9999	S-harp/piano wire for MOBISCREEN series	10 mm		Lower deck	Screen section, small	10 mm	3 pc.	2634386
		S-harp/piano wire for MOBISCREEN series	6 mm		Lower deck	Screen section, small	6 mm; 2.5 mm	3 pc.	2731135	
		G harp screen/piano wire for MOBI-SCREEN series	8 mm		Lower deck	Screen section, small	8 mm; 2.5 mm	3 pc.	2731137	
MSS 802i EVO	K102	10 - 9999	G harp screen/piano wire for MOBI-SCREEN series	4 mm		Lower deck		4 mm	3 pc.	2999888
			G harp screen/piano wire for MOBI-SCREEN series	5 mm		Lower deck		5 mm; 1.6 mm	3 pc.	2999889



HARP SCREENS										
Series code	Serial code	Series range	Version	Clear mesh size	Mesh length	Deck	Position	Wire diameter	Requirement	Part no.
MSS 802i EVO	K102	10 - 9999	G harp screen/piano wire for MOBI-SCREEN series	6 mm		Lower deck		1.6 mm	3 pc.	2950729
			G harp screen/piano wire for MOBI-SCREEN series	6 mm		Lower deck		6 mm; 2 mm	3 pc.	2999892
			G harp screen/piano wire for MOBI-SCREEN series	8 mm		Lower deck		8 mm; 2 mm	3 pc.	2999896
			W harp screen/long slot for MOBI-SCREEN series	10 mm	100 m-m	Lower deck		10 mm; 3 mm	3 pc.	2963004
			W harp screen/long slot for MOBI-SCREEN series	6 mm	100 m-m	Lower deck		6 mm; 2 mm	3 pc.	2978752
			W harp screen/long slot for MOBI-SCREEN series	8 mm	150 m-m	Lower deck		8 mm; 3 mm	3 pc.	2825553
MSC 702i EVO	K103	1 - 9999	G harp screen/piano wire for MOBI-SCREEN series	2 mm		Lower deck	Screen section, small	1 mm	1 pc.	2354104
			G harp screen/piano wire for MOBI-SCREEN series	2 mm		Lower deck	Screen section, large	1 mm	1 pc.	2453837
			G harp screen/piano wire for MOBI-SCREEN series	3 mm		Lower deck	Screen section, large	1 mm	1 pc.	2453840
			G harp screen/piano wire for MOBI-SCREEN series	3 mm		Lower deck	Screen section, small	1 mm	1 pc.	2447447
			G harp screen/piano wire for MOBI-SCREEN series	4 mm		Lower deck	Screen section, small	1.2 mm	1 pc.	2447459
			G harp screen/piano wire for MOBI-SCREEN series	4 mm		Lower deck	Screen section, large	1.2 mm	1 pc.	2448606

Original KLEEMANN  
**SCREENING**

HARP SCREENS										
Series code	Serial code	Series range	Version	Clear mesh size	Mesh length	Deck	Position	Wire diameter	Requirement	Part no.
MSC 702i EVO	K103	1 - 9999	G harp screen/piano wire for MOBI-SCREEN series	5 mm		Lower deck	Screen section, small	1.2 mm	1 pc.	2354103
			G harp screen/piano wire for MOBI-SCREEN series	5 mm		Lower deck	Screen section, large	1.2 mm	1 pc.	2453879
			G harp screen/piano wire for MOBI-SCREEN series	6 mm		Lower deck	Screen section, small	1.6 mm	1 pc.	2428273
			G harp screen/piano wire for MOBI-SCREEN series	6 mm		Lower deck	Screen section, large	1.6 mm	1 pc.	2447936
			G harp screen/piano wire for MOBI-SCREEN series	8 mm		Lower deck	Screen section, small	2 mm	1 pc.	2551178
			G harp screen/piano wire for MOBI-SCREEN series	8 mm		Lower deck	Screen section, large	2 mm	1 pc.	2551179
			W harp screen/long slot for MOBI-SCREEN series	10 mm	150 m-m	Lower deck	Screen section, large	2.5 mm	1 pc.	2673669
			W harp screen/long slot for MOBI-SCREEN series	10 mm	150 m-m	Lower deck	Screen section, small	2.5 mm	1 pc.	2673601
			W harp screen/long slot for MOBI-SCREEN series	6 mm	150 m-m	Lower deck	Screen section, large	2 mm	1 pc.	2679965
			W harp screen/long slot for MOBI-SCREEN series	6 mm	150 m-m	Lower deck	Screen section, small	2 mm	1 pc.	2679963
			W harp screen/long slot for MOBI-SCREEN series	8 mm	150 m-m	Lower deck	Screen section, small	3 mm	1 pc.	2679964
W harp screen/long slot for MOBI-SCREEN series	8 mm	150 m-m	Lower deck	Screen section, large	3 mm	1 pc.	2679966			



HARP SCREENS											
Series code	Serial code	Series range	Version	Clear mesh size	Mesh length	Deck	Position	Wire diameter	Requirement	Part no.	
MSC 702i EVO	K103	10 - 9999	S-harp/piano wire for MOBISCREEN series	10 mm		Lower deck	Screen section, small; Screen section, large	10 mm; 2.5 mm	1 pc.	2634386	
			S-harp/piano wire for MOBISCREEN series	6 mm		Lower deck	Screen section, small	6 mm; 2.5 mm	1 pc.	2731135	
			S-harp/piano wire for MOBISCREEN series	6 mm		Lower deck	Screen section, large	6 mm; 2.5 mm	1 pc.	2731136	
			S-harp/piano wire for MOBISCREEN series	8 mm		Lower deck	Screen section, large	8 mm; 2.5 mm	1 pc.	2731138	
			G harp screen/piano wire for MOBISCREEN series	8 mm		Lower deck	Screen section, small	8 mm; 2.5 mm	1 pc.	2731137	
MSC 703i EVO	K104	1 - 9999	G harp screen/piano wire for MOBISCREEN series	2 mm		Lower deck	Screen section, large	1 mm	1 pc.	2453837	
			G harp screen/piano wire for MOBISCREEN series	2 mm		Lower deck	Screen section, small	1 mm	1 pc.	2354104	
			G harp screen/piano wire for MOBISCREEN series	3 mm		Lower deck	Screen section, small	1 mm	1 pc.	2447447	
			G harp screen/piano wire for MOBISCREEN series	3 mm		Lower deck	Screen section, large	1 mm	1 pc.	2453840	
			G harp screen/piano wire for MOBISCREEN series	4 mm		Lower deck	Screen section, small	1.2 mm	1 pc.	2447459	
			G harp screen/piano wire for MOBISCREEN series	4 mm		Lower deck	Screen section, large	1.2 mm	1 pc.	2448606	

Original KLEEMANN  
**SCREENING**

HARP SCREENS										
Series code	Serial code	Series range	Version	Clear mesh size	Mesh length	Deck	Position	Wire diameter	Requirement	Part no.
MSC 703i EVO	K104	1 - 9999	G harp screen/piano wire for MOBI-SCREEN series	5 mm		Lower deck	Screen section, large	1.2 mm	1 pc.	2453879
			G harp screen/piano wire for MOBI-SCREEN series	5 mm		Lower deck	Screen section, small	1.2 mm	1 pc.	2354103
			G harp screen/piano wire for MOBI-SCREEN series	6 mm		Lower deck	Screen section, large	1.6 mm	1 pc.	2447936
			G harp screen/piano wire for MOBI-SCREEN series	6 mm		Lower deck	Screen section, small	1.6 mm	1 pc.	2428273
			G harp screen/piano wire for MOBI-SCREEN series	8 mm		Lower deck	Screen section, small	2 mm	1 pc.	2551178
			G harp screen/piano wire for MOBI-SCREEN series	8 mm		Lower deck	Screen section, large	2 mm	1 pc.	2551179
			W harp screen/long slot for MOBI-SCREEN series	10 mm	150 m-m	Lower deck	Screen section, large	2.5 mm	1 pc.	2673669
			W harp screen/long slot for MOBI-SCREEN series	10 mm	150 m-m	Lower deck	Screen section, small	2.5 mm	1 pc.	2673601
			W harp screen/long slot for MOBI-SCREEN series	6 mm	150 m-m	Lower deck	Screen section, large	2 mm	1 pc.	2679965
			W harp screen/long slot for MOBI-SCREEN series	6 mm	150 m-m	Lower deck	Screen section, small	2 mm	1 pc.	2679963
			W harp screen/long slot for MOBI-SCREEN series	8 mm	150 m-m	Lower deck	Screen section, small	3 mm	1 pc.	2679964
W harp screen/long slot for MOBI-SCREEN series	8 mm	150 m-m	Lower deck	Screen section, large	3 mm	1 pc.	2679966			



HARP SCREENS										
Series code	Serial code	Series range	Version	Clear mesh size	Mesh length	Deck	Position	Wire diameter	Requirement	Part no.
MSC 703i EVO	K104	10 - 9999	S-harp/piano wire for MOBISCREEN series	10 mm		Lower deck	Screen section, small; Screen section, large	10 mm; 2.5 mm	1 pc.	2634386
			S-harp/piano wire for MOBISCREEN series	6 mm		Lower deck	Screen section, small	6 mm; 2.5 mm	1 pc.	2731135
			S-harp/piano wire for MOBISCREEN series	6 mm		Lower deck	Screen section, large	6 mm; 2.5 mm	1 pc.	2731136
			S-harp/piano wire for MOBISCREEN series	8 mm		Lower deck	Screen section, large	8 mm; 2.5 mm	1 pc.	2731138
			G harp screen/piano wire for MOBISCREEN series	8 mm		Lower deck	Screen section, small	8 mm; 2.5 mm	1 pc.	2731137
MSC 952i EVO	K105	1 - 9999	G harp screen/piano wire for MOBISCREEN series	2 mm		Lower deck	Screen section, large	1 mm	3 pc.	2354104
			G harp screen/piano wire for MOBISCREEN series	3 mm		Lower deck	Screen section, large	1 mm	3 pc.	2447447
			G harp screen/piano wire for MOBISCREEN series	4 mm		Lower deck	Screen section, large	1.2 mm	3 pc.	2447459
			G harp screen/piano wire for MOBISCREEN series	5 mm		Lower deck	Screen section, large	1.2 mm	3 pc.	2354103
			G harp screen/piano wire for MOBISCREEN series	6 mm		Lower deck	Screen section, large	1.6 mm	3 pc.	2428273
			G harp screen/piano wire for MOBISCREEN series	8 mm		Lower deck	Screen section, large	2 mm	3 pc.	2551178

Original KLEEMANN  
**SCREENING**

HARP SCREENS										
Series code	Serial code	Series range	Version	Clear mesh size	Mesh length	Deck	Position	Wire diameter	Requirement	Part no.
MSC 952i EVO	K105	1 - 9999	W harp screen/long slot for MOBI-SCREEN series	10 mm	150 m	Lower deck	Screen section, large	2.5 mm	3 pc.	2673601
			W harp screen/long slot for MOBI-SCREEN series	6 mm	150 m	Lower deck	Screen section, large	2 mm	3 pc.	2679963
			W harp screen/long slot for MOBI-SCREEN series	8 mm	150 m	Lower deck	Screen section, large	3 mm	3 pc.	2679964
		10 - 9999	S-harp/piano wire for MOBISCREEN series	10 mm		Lower deck	Screen section, small	10 mm; 2.5 mm	3 pc.	2634386
			S-harp/piano wire for MOBISCREEN series	6 mm		Lower deck	Screen section, small	6 mm; 2.5 mm	3 pc.	2731135
			G harp screen/piano wire for MOBI-SCREEN series	8 mm		Lower deck	Screen section, small	8 mm; 2.5 mm	3 pc.	2731137
MSC 953i EVO	K106	1 - 9999	G harp screen/piano wire for MOBI-SCREEN series	2 mm		Lower deck	Screen section, large	1 mm	3 pc.	2354104
			G harp screen/piano wire for MOBI-SCREEN series	3 mm		Lower deck	Screen section, large	1 mm	3 pc.	2447447
			G harp screen/piano wire for MOBI-SCREEN series	4 mm		Lower deck	Screen section, large	1.2 mm	3 pc.	2447459
			G harp screen/piano wire for MOBI-SCREEN series	5 mm		Lower deck	Screen section, large	1.2 mm	3 pc.	2354103
			G harp screen/piano wire for MOBI-SCREEN series	6 mm		Lower deck	Screen section, large	1.6 mm	3 pc.	2428273
			G harp screen/piano wire for MOBI-SCREEN series	8 mm		Lower deck	Screen section, large	2 mm	3 pc.	2551178





HARP SCREENS										
Series code	Serial code	Series range	Version	Clear mesh size	Mesh length	Deck	Position	Wire diameter	Requirement	Part no.
MSC 953i EVO	K106	1 - 9999	W harp screen/long slot for MOBI-SCREEN series	10 mm	150 m	Lower deck	Screen section, large	2.5 mm	3 pc.	2673601
			W harp screen/long slot for MOBI-SCREEN series	6 mm	150 m	Lower deck	Screen section, large	2 mm	3 pc.	2679963
			W harp screen/long slot for MOBI-SCREEN series	8 mm	150 m	Lower deck	Screen section, large	3 mm	3 pc.	2679964
		10 - 9999	S-harp/piano wire for MOBISCREEN series	10 mm		Lower deck	Screen section, small	10 mm; 2.5 mm	3 pc.	2634386
			S-harp/piano wire for MOBISCREEN series	6 mm		Lower deck	Screen section, small	6 mm; 2.5 mm	3 pc.	2731135
			G harp screen/piano wire for MOBI-SCREEN series	8 mm		Lower deck	Screen section, small	8 mm; 2.5 mm	3 pc.	2731137

## FINGER SCREENS

Genuine KLEEMANN finger screens are ideal for screening materials that are hard to separate, such as moist and sticky bulk materials, and when recycling mixed rubble. The separation of flaky/slabby and bulky screenings in scalpers is therefore no problem at all.



FINGER SCREENS					
Series code	Serial code	Clear mesh size	Requirement	Deck	Part no.
MSS 502 EVO	K066	100 mm	4 pc.	Upper deck	3031186
		50 mm	4 pc.	Upper deck	3033644
		60 mm	4 pc.	Upper deck	3033648
		75 mm	4 pc.	Upper deck	3031185

# Original KLEEMANN SCREENING

FINGER SCREENS					
Series code	Serial code	Clear mesh size	Requirement	Deck	Part no.
MS 15 Z-AD	K047	100 mm	4 pc.	Upper deck	2240020
		50 mm	4 pc.	Upper deck	M10025584
		75 mm	4 pc.	Upper deck	F20014437
MSS 1102 PRO	K076	100 mm	5 pc.	Upper deck	3037749
		50 mm	5 pc.	Upper deck	3037747
		75 mm	5 pc.	Upper deck	2651373
MSS 802 EVO	K082	100 mm	4 pc.	Upper deck	3061393
		50 mm	4 pc.	Upper deck	3061309
		75 mm	4 pc.	Upper deck	3061391
MSS 802i EVO	K102	100 mm	4 pc.	Upper deck	2776725
		50 mm	4 pc.	Upper deck	2776559
		75 mm	4 pc.	Upper deck	2662783

## HYDRAULIC FOLDING GRATES

Genuine hydraulic folding grates from KLEEMANN separate the material entering the machine from materials that are too coarse.



HYDRAULIC FOLDING GRATES									
Series code	Serial code	Series range	Part	Gap width	Deck	Position	Requirement: feed hopper, short	Requirement: feed hopper, long	Part no.
MSC 702 EVO	K083	10 - 39	SG-GRADE 100 foldable slotted grate	100 mm	Upper deck	left		1 pc.	2507539
				100 mm	Upper deck	centre	3 pc.	4 pc.	2507551
				100 mm	Upper deck	right	1 pc.	1 pc.	2507573
				100 mm	Upper deck	left	1 pc.		2507511
		40 - 9999	Single grille bar	100 mm	Upper deck		30 pc.	33 pc.	2583775



HYDRAULIC FOLDING GRATES										
Series code	Serial code	Series range	Part	Gap width	Deck	Position	Requirement: feed hopper, short	Requirement: feed hopper, long	Part no.	
MSC 702 EVO	K083	40 - 9999	SG-GRADE 100 fold-able slotted grate	100 mm	Upper deck	right	1 pc.	1 pc.	2581948	
				100 mm	Upper deck	left	1 pc.		2585308	
				100 mm	Upper deck	centre	3 pc.	4 pc.	2583781	
				100 mm	Upper deck	left		1 pc.	2582061	
MSC 703 EVO	K084	10 - 53	SG-GRADE 100 fold-able slotted grate	100 mm	Upper deck	centre	3 pc.	4 pc.	2507551	
				100 mm	Upper deck	right	1 pc.	1 pc.	2507573	
				100 mm	Upper deck	left		1 pc.	2507539	
				100 mm	Upper deck	left	1 pc.		2507511	
		54 - 9999	SG-GRADE 100 fold-able slotted grate	Single grille bar	100 mm	Upper deck		30 pc.	33 pc.	2583775
				100 mm	Upper deck	right	1 pc.	1 pc.	2581948	
				100 mm	Upper deck	centre	3 pc.	4 pc.	2583781	
				100 mm	Upper deck	left	1 pc.		2585308	
				100 mm	Upper deck	left		1 pc.	2582061	
				100 mm	Upper deck	left	1 pc.		2507511	
MSC 952 EVO	K085	10 - 27	SG-GRADE 100 fold-able slotted grate	100 mm	Upper deck	centre	3 pc.	4 pc.	2507551	
				100 mm	Upper deck	right	1 pc.	1 pc.	2507573	
				100 mm	Upper deck	left		1 pc.	2507539	
				100 mm	Upper deck	left	1 pc.		2507511	
		28 - 9999	SG-GRADE 100 fold-able slotted grate	Single grille bar	100 mm	Upper deck		30 pc.	33 pc.	2583775
				100 mm	Upper deck	right	1 pc.	1 pc.	2581948	
				100 mm	Upper deck	left	1 pc.		2585308	
				100 mm	Upper deck	centre	3 pc.	4 pc.	2583781	
				100 mm	Upper deck	left		1 pc.	2582061	
				100 mm	Upper deck	left	1 pc.		2507511	
MSC 953 EVO	K086	10 - 85	SG-GRADE 100 fold-able slotted grate	100 mm	Upper deck	right	1 pc.	1 pc.	2507573	
				100 mm	Upper deck	centre	3 pc.	4 pc.	2507551	
				100 mm	Upper deck	left		1 pc.	2507539	
				100 mm	Upper deck	left	1 pc.		2507511	

Original KLEEMANN  
**SCREENING**

HYDRAULIC FOLDING GRATES										
Series code	Serial code	Series range	Part	Gap width	Deck	Position	Requirement: feed hopper, short	Requirement: feed hopper, long	Part no.	
MSC 953 EVO	K086	86 - 9999	Single grille bar	100 mm	Upper deck		30 pc.	33 pc.	2583775	
			SG-GRADE 100 foldable slotted grate	100 mm	Upper deck	right	1 pc.	1 pc.	2581948	
				100 mm	Upper deck	left	1 pc.		2585308	
				100 mm	Upper deck	centre	3 pc.	4 pc.	2583781	
				100 mm	Upper deck	left		1 pc.	2582061	
MSC 702i EVO	K103	10 - 15	SG-GRADE 100 foldable slotted grate	100 mm	Upper deck	left		1 pc.	2507539	
				100 mm	Upper deck	centre	3 pc.	4 pc.	2507551	
				100 mm	Upper deck	right	1 pc.	1 pc.	2507573	
				100 mm	Upper deck	left	1 pc.		2507511	
		16 - 9999	SG-GRADE 100 foldable slotted grate	Single grille bar	100 mm	Upper deck		30 pc.	33 pc.	2583775
				100 mm	Upper deck	right	1 pc.	1 pc.	2581948	
				100 mm	Upper deck	centre	3 pc.	4 pc.	2583781	
				100 mm	Upper deck	left	1 pc.		2585308	
				100 mm	Upper deck	left		1 pc.	2582061	
				100 mm	Upper deck	left		1 pc.	2507539	
MSC 703i EVO	K104	10 - 14	SG-GRADE 100 foldable slotted grate	100 mm	Upper deck	right	1 pc.	1 pc.	2507573	
				100 mm	Upper deck	centre	3 pc.	4 pc.	2507551	
				100 mm	Upper deck	left	1 pc.		2507511	
				100 mm	Upper deck	left	1 pc.		2585308	
		15 - 9999	SG-GRADE 100 foldable slotted grate	Single grille bar	100 mm	Upper deck		30 pc.	33 pc.	2583775
				100 mm	Upper deck	right	1 pc.	1 pc.	2581948	
				100 mm	Upper deck	centre	3 pc.	4 pc.	2583781	
				100 mm	Upper deck	left		1 pc.	2582061	
				100 mm	Upper deck	left	1 pc.		2585308	
				100 mm	Upper deck	left		1 pc.	2507539	
MSC 952i EVO	K105	10 - 16	SG-GRADE 100 foldable slotted grate	100 mm	Upper deck	centre	3 pc.	4 pc.	2507551	
				100 mm	Upper deck	right	1 pc.	1 pc.	2507573	
				100 mm	Upper deck	left		1 pc.	2507539	



HYDRAULIC FOLDING GRATES									
Series code	Serial code	Series range	Part	Gap width	Deck	Position	Requirement: feed hopper, short	Requirement: feed hopper, long	Part no.
MSC 952i EVO	K105	10 - 16	SG-GRADE 100 fold-able slot- ted grate	100 mm	Upper deck	left	1 pc.		2507511
		17 - 9999	Single grille bar	100 mm	Upper deck		30 pc.	33 pc.	2583775
			SG- GRADE 100 fold- able slot- ted grate	100 mm	Upper deck	right	1 pc.	1 pc.	2581948
				100 mm	Upper deck	left		1 pc.	2582061
				100 mm	Upper deck	centre	3 pc.	4 pc.	2583781
				100 mm	Upper deck	left	1 pc.		2585308
MSC 953i EVO	K106	10 - 24	SG- GRADE 100 fold- able slot- ted grate	100 mm	Upper deck	centre	3 pc.	4 pc.	2507551
				100 mm	Upper deck	right	1 pc.	1 pc.	2507573
				100 mm	Upper deck	left		1 pc.	2507539
				100 mm	Upper deck	left	1 pc.		2507511
		25 - 9999	Single grille bar	100 mm	Upper deck		30 pc.	33 pc.	2583775
			SG- GRADE 100 fold- able slot- ted grate	100 mm	Upper deck	right	1 pc.	1 pc.	2581948
				100 mm	Upper deck	centre	3 pc.	4 pc.	2583781
				100 mm	Upper deck	left		1 pc.	2582061
				100 mm	Upper deck	left	1 pc.		2585308

# Original KLEEMANN SCREENING

## ANTI-CLOGGING ROPES

Screening sticky material creates caking on the screen linings and thus impedes the further flow of the material. Fitting KLEEMANN anti-clogging ropes helps to avoid unwanted maintenance or downtimes during such applications.



ANTI-CLOGGING ROPES						
Series code	Serial code	Part	Version	for screen linings mesh size	Deck	Part no.
MSC 702 EVO	K083	Service package for anti-clogging ropes	Light	< 4 mm	Upper deck, middle deck, lower deck	2628665
			Standard	> 4 mm	Upper deck, middle deck, lower deck	2628667
MSC 703 EVO	K084	Service package for anti-clogging ropes	Light	< 4 mm	Upper deck, middle deck, lower deck	2628665
			Standard	> 4 mm	Upper deck, middle deck, lower deck	2628667
MSC 952 EVO	K085	Service package for anti-clogging ropes	Standard	> 4 mm	Upper deck, middle deck, lower deck	2628663
			Light	< 4 mm	Upper deck, middle deck, lower deck	2628662
MSC 953 EVO	K086	Service package for anti-clogging ropes	Light	< 4 mm	Upper deck, middle deck, lower deck	2628662
			Standard	> 4 mm	Upper deck, middle deck, lower deck	2628663
MSC 702i EVO	K103	Service package for anti-clogging ropes	Standard	> 4 mm	Upper deck, middle deck, lower deck	2628667
			Light	< 4 mm	Upper deck, middle deck, lower deck	2628665
MSC 703i EVO	K104	Service package for anti-clogging ropes	Light	< 4 mm	Upper deck, middle deck, lower deck	2628665
			Standard	> 4 mm	Upper deck, middle deck, lower deck	2628667
MSC 952i EVO	K105	Service package for anti-clogging ropes	Light	< 4 mm	Upper deck, middle deck, lower deck	2628662
			Standard	> 4 mm	Upper deck, middle deck, lower deck	2628663
MSC 953i EVO	K106	Service package for anti-clogging ropes	Standard	> 4 mm	Upper deck, middle deck, lower deck	2628663
			Light	< 4 mm	Upper deck, middle deck, lower deck	2628662



## PERFORATED PLATES

In order to withstand the enormous impact and friction stresses and maximise service life, perforated plates are used made of particularly wear-resistant material.



PERFORATED PLATES											
Series code	Serial code	Series range	Special feature	Thickness	Aperture geometry	Clear mesh size	Section	Deck	Position	Requirement	Part no.
MC 100 EVO	K002	1 - 9999		20 mm	Hexagonal	30 mm	Feeding/ discharge	Upper deck	Feeding/ discharge, upper deck	1 pc.	3058156
				20 mm	Hexagonal	35 mm	Feeding/ discharge	Upper deck	Feeding/ discharge, upper deck	1 pc.	3058009
				20 mm	Hexagonal	40 mm	Feeding/ discharge	Upper deck	Feeding/ discharge, upper deck	1 pc.	3057966
				20 mm	Hexagonal	45 mm	Feeding/ discharge	Upper deck	Feeding/ discharge, upper deck	1 pc.	3057912
				20 mm	Hexagonal	50 mm	Feeding/ discharge	Upper deck	Feeding/ discharge, upper deck	1 pc.	3057889

Original KLEEMANN  
**SCREENING**

PERFORATED PLATES											
Series code	Serial code	Series range	Special feature	Thickness	Aperture geometry	Clear mesh size	Section	Deck	Position	Requirement	Part no.
MC 100 EVO	K002	1 - 9999		20 mm	Hexagonal	60 mm	Feeding/discharge	Upper deck	Feeding/discharge, upper deck	1 pc.	3057861
				20 mm	Hexagonal	70 mm	Feeding/discharge	Upper deck	Feeding/discharge, upper deck	1 pc.	3057793
				20 mm	Hexagonal	80 mm	Feeding/discharge	Upper deck	Feeding/discharge, upper deck	1 pc.	3057270
MC 100i EVO	K011	1 - 9999		20 mm	Hexagonal	30 mm	Feeding/discharge	Upper deck	Feeding/discharge, upper deck	1 pc.	3058156
				20 mm	Hexagonal	35 mm	Feeding/discharge	Upper deck	Feeding/discharge, upper deck	1 pc.	3058009
				20 mm	Hexagonal	40 mm	Feeding/discharge	Upper deck	Feeding/discharge, upper deck	1 pc.	3057966





PERFORATED PLATES											
Series code	Serial code	Series range	Special feature	Thickness	Aperture geometry	Clear mesh size	Section	Deck	Position	Requirement	Part no.
MC 100i EVO	K011	1 - 9999		20 mm	Hexagonal	45 mm	Feeding/ discharge	Upper deck	Feeding/ discharge, upper deck	1 pc.	3057912
				20 mm	Hexagonal	50 mm	Feeding/ discharge	Upper deck	Feeding/ discharge, upper deck	1 pc.	3057889
				20 mm	Hexagonal	60 mm	Feeding/ discharge	Upper deck	Feeding/ discharge, upper deck	1 pc.	3057861
				20 mm	Hexagonal	70 mm	Feeding/ discharge	Upper deck	Feeding/ discharge, upper deck	1 pc.	3057793
				20 mm	Hexagonal	80 mm	Feeding/ discharge	Upper deck	Feeding/ discharge, upper deck	1 pc.	3057270
MC 110 R EVO	K005	1 - 9999	with cross-bar	20 mm	Hexagonal	30 mm	Feeding/ discharge	Upper deck	Feeding/ discharge, upper deck	1 pc.	2854442

Original KLEEMANN  
**SCREENING**

PERFORATED PLATES											
Series code	Serial code	Series range	Special feature	Thickness	Aperture geometry	Clear mesh size	Section	Deck	Position	Requirement	Part no.
MC 110 R EVO	K005	1 - 9999	with cross-bar	20 mm	Hexagonal	35 mm	Feeding/discharge	Upper deck	Feeding/discharge, upper deck	1 pc.	2856489
			with cross-bar	20 mm	Hexagonal	40 mm	Feeding/discharge	Upper deck	Feeding/discharge, upper deck	1 pc.	2856668
			with cross-bar	20 mm	Hexagonal	45 mm	Feeding/discharge	Upper deck	Feeding/discharge, upper deck	1 pc.	2857239
			with cross-bar	20 mm	Hexagonal	50 mm	Feeding/discharge	Upper deck	Feeding/discharge, upper deck	1 pc.	2857566
			with cross-bar	20 mm	Hexagonal	60 mm	Feeding/discharge	Upper deck	Feeding/discharge, upper deck	1 pc.	2857740
			with cross-bar	20 mm	Hexagonal	70 mm	Feeding/discharge	Upper deck	Feeding/discharge, upper deck	1 pc.	2858101



PERFORATED PLATES											
Series code	Serial code	Series range	Special feature	Thickness	Aperture geometry	Clear mesh size	Section	Deck	Position	Requirement	Part no.
MC 110 R EVO	K005	1 - 9999	with cross-bar	20 mm	Hexagonal	80 mm	Feeding/discharge	Upper deck	Feeding/discharge, upper deck	1 pc.	2858604
MC 110 Ri EVO	K014	1 - 9999	with cross-bar	20 mm	Hexagonal	30 mm	Feeding/discharge	Upper deck	Feeding/discharge, upper deck	1 pc.	2854442
				20 mm	Round	35 mm	Feeding/discharge	Upper deck	Upper deck infeed	1 pc.	2298457
				20 mm	Round	40 mm	Feeding/discharge	Upper deck	Upper deck infeed	1 pc.	2298374
				20 mm	Round	45 mm	Feeding/discharge	Upper deck	Upper deck infeed	1 pc.	2298461
				20 mm	Round	50 mm	Feeding/discharge	Upper deck	Upper deck infeed	1 pc.	2298378
				20 mm	Round	60 mm	Feeding/discharge	Upper deck	Upper deck infeed	1 pc.	2298381
				20 mm	Round	70 mm	Feeding/discharge	Upper deck	Upper deck infeed	1 pc.	2298384
			with cross-bar	20 mm	Hexagonal	80 mm	Feeding/discharge	Upper deck	Feeding/discharge, upper deck	1 pc.	2858604

Original KLEEMANN  
**SCREENING**

PERFORATED PLATES											
Series code	Serial code	Series range	Special feature	Thickness	Aper-ture geo-metry	Clear mesh size	Sec-tion	Deck	Position	Re-quire-ment	Part no.
MC 110 Z	K004	200 - 9999		20 mm	Hexag-onal	30 mm	Infeed	Upper deck	Feed-ing/ dis-charge, up-per deck	1 pc.	F20007098
MC 110 Z EVO	K006	1 - 9999	with cross-bar	20 mm	Hexag-onal	30 mm	Feed-ing/ dis-charge	Upper deck	Feed-ing/ dis-charge, up-per deck	1 pc.	2854442
			with cross-bar	20 mm	Hexag-onal	35 mm	Feed-ing/ dis-charge	Upper deck	Feed-ing/ dis-charge, up-per deck	1 pc.	2856489
			with cross-bar	20 mm	Hexag-onal	40 mm	Feed-ing/ dis-charge	Upper deck	Feed-ing/ dis-charge, up-per deck	1 pc.	2856668
			with cross-bar	20 mm	Hexag-onal	45 mm	Feed-ing/ dis-charge	Upper deck	Feed-ing/ dis-charge, up-per deck	1 pc.	2857239
			with cross-bar	20 mm	Hexag-onal	50 mm	Feed-ing/ dis-charge	Upper deck	Feed-ing/ dis-charge, up-per deck	1 pc.	2857566



PERFORATED PLATES											
Series code	Serial code	Series range	Special feature	Thickness	Aperature geometry	Clear mesh size	Section	Deck	Position	Requirement	Part no.
MC 110 Z EVO	K006	1 - 9999	with cross-bar	20 mm	Hexagonal	60 mm	Feeding/discharge	Upper deck	Feeding/discharge, upper deck	1 pc.	2857740
			with cross-bar	20 mm	Hexagonal	70 mm	Feeding/discharge	Upper deck	Feeding/discharge, upper deck	1 pc.	2858101
			with cross-bar	20 mm	Hexagonal	80 mm	Feeding/discharge	Upper deck	Feeding/discharge, upper deck	1 pc.	2858604
MC 110 Zi EVO	K015	1 - 9999	with cross-bar	20 mm	Hexagonal	30 mm	Feeding/discharge	Upper deck	Feeding/discharge, upper deck	1 pc.	2854442
			with cross-bar	20 mm	Hexagonal	35 mm	Feeding/discharge	Upper deck	Feeding/discharge, upper deck	1 pc.	2856489
			with cross-bar	20 mm	Hexagonal	40 mm	Feeding/discharge	Upper deck	Feeding/discharge, upper deck	1 pc.	2856668

Original KLEEMANN  
**SCREENING**

PERFORATED PLATES											
Series code	Serial code	Series range	Special feature	Thickness	Aperture geometry	Clear mesh size	Section	Deck	Position	Requirement	Part no.
MC 110 Zi EVO	K015	1 - 9999	with cross-bar	20 mm	Hexagonal	45 mm	Feeding/discharge	Upper deck	Feeding/discharge, upper deck	1 pc.	2857239
			with cross-bar	20 mm	Hexagonal	50 mm	Feeding/discharge	Upper deck	Feeding/discharge, upper deck	1 pc.	2857566
			with cross-bar	20 mm	Hexagonal	60 mm	Feeding/discharge	Upper deck	Feeding/discharge, upper deck	1 pc.	2857740
			with cross-bar	20 mm	Hexagonal	70 mm	Feeding/discharge	Upper deck	Feeding/discharge, upper deck	1 pc.	2858101
			with cross-bar	20 mm	Hexagonal	80 mm	Feeding/discharge	Upper deck	Feeding/discharge, upper deck	1 pc.	2858604
MC 120 Z	K007	53 - 9999		20 mm	Round	100 mm	Infeed	Upper deck	Upper deck infeed	1 pc.	2590149
				20 mm	Round	100 mm	Discharge	Upper deck	Lower deck discharge	1 pc.	2590122
				20 mm	Round	60 mm	Discharge	Upper deck	Lower deck discharge	1 pc.	2592194



PERFORATED PLATES											
Series code	Serial code	Series range	Special feature	Thickness	Aperture geometry	Clear mesh size	Section	Deck	Position	Requirement	Part no.
MC 120 Z	K007	53 - 9999		20 mm	Round	70 mm	Infeed	Upper deck	Upper deck infeed	1 pc.	2584681
				20 mm	Round	70 mm	Discharge	Upper deck	Lower deck discharge	1 pc.	2592209
				20 mm	Round	80 mm	Infeed	Upper deck	Upper deck infeed	1 pc.	2590095
				20 mm	Round	80 mm	Discharge	Upper deck	Lower deck discharge	1 pc.	2590121
MC 120 PRO	K034	14 - 9999		20 mm	Hexagonal	60 mm	Feeding/discharge	Upper deck	Feeding/discharge, upper deck	1 pc.	3054919
				20 mm	Hexagonal	70 mm	Feeding/discharge	Upper deck	Feeding/discharge, upper deck	1 pc.	3054414
				20 mm	Hexagonal	80 mm	Feeding/discharge	Upper deck	Feeding/discharge, upper deck	1 pc.	3054920
				20 mm	Hexagonal	90 mm	Feeding/discharge	Upper deck	Feeding/discharge, upper deck	1 pc.	3054921

Original KLEEMANN  
**SCREENING**

PERFORATED PLATES											
Series code	Serial code	Series range	Special feature	Thickness	Aperture geometry	Clear mesh size	Section	Deck	Position	Requirement	Part no.
MC 120 i PRO	K035	14 - 9999		20 mm	Hexagonal	60 mm	Feeding/ discharge	Upper deck	Feeding/ discharge, upper deck	1 pc.	3054919
				20 mm	Hexagonal	70 mm	Feeding/ discharge	Upper deck	Feeding/ discharge, upper deck	1 pc.	3054414
				20 mm	Hexagonal	80 mm	Feeding/ discharge	Upper deck	Feeding/ discharge, upper deck	1 pc.	3054920
				20 mm	Hexagonal	90 mm	Feeding/ discharge	Upper deck	Feeding/ discharge, upper deck	1 pc.	3054921
MC 110 EVO2	K116	1 - 9999	with cross-bar	20 mm	Hexagonal	30 mm	Feeding/ discharge	Upper deck	Upper deck infeed	1 pc.	2854442
			with cross-bar	20 mm	Hexagonal	35 mm	Feeding/ discharge	Upper deck	Upper deck infeed	1 pc.	2856489
			with cross-bar	20 mm	Hexagonal	40 mm	Feeding/ discharge	Upper deck	Upper deck infeed	1 pc.	2856668
			with cross-bar	20 mm	Hexagonal	45 mm	Feeding/ discharge	Upper deck	Upper deck infeed	1 pc.	2857239
			with cross-bar	20 mm	Hexagonal	60 mm	Feeding/ discharge	Upper deck	Upper deck infeed	1 pc.	2857740





PERFORATED PLATES											
Series code	Serial code	Series range	Special feature	Thickness	Aperture geometry	Clear mesh size	Section	Deck	Position	Requirement	Part no.
MC 110 EVO2	K116	1 - 9999	with cross-bar	20 mm	Hexagonal	70 mm	Feeding/discharge	Upper deck	Upper deck infeed	1 pc.	2858101
			with cross-bar	20 mm	Hexagonal	80 mm	Feeding/discharge	Upper deck	Upper deck infeed	1 pc.	2858604
MC110i EVO2	K117	1 - 9999	with cross-bar	20 mm	Hexagonal	30 mm	Feeding/discharge	Upper deck	Upper deck infeed	1 pc.	2854442
				20 mm	Hexagonal	30 mm	Infeed	Upper deck	Lower deck discharge	1 pc.	2957801
				20 mm	Hexagonal	30 mm	Discharge	Upper deck	Lower deck discharge	1 pc.	2957804
				20 mm	Hexagonal	35 mm	Discharge	Upper deck	Lower deck discharge	1 pc.	2959050
			with cross-bar	20 mm	Hexagonal	35 mm	Feeding/discharge	Upper deck	Upper deck infeed	1 pc.	2856489
				20 mm	Hexagonal	35 mm	Infeed	Upper deck	Lower deck discharge	1 pc.	2959045
				20 mm	Hexagonal	40 mm	Infeed	Upper deck	Lower deck discharge	1 pc.	2959243
			with cross-bar	20 mm	Hexagonal	40 mm	Feeding/discharge	Upper deck	Upper deck infeed	1 pc.	2856668
				20 mm	Hexagonal	40 mm	Discharge	Upper deck	Lower deck discharge	1 pc.	2959246
			with cross-bar	20 mm	Hexagonal	45 mm	Feeding/discharge	Upper deck	Upper deck infeed	1 pc.	2857239
				20 mm	Hexagonal	50 mm	Discharge	Upper deck	Lower deck discharge	1 pc.	2959326

Original KLEEMANN  
**SCREENING**

PERFORATED PLATES											
Series code	Serial code	Series range	Special feature	Thickness	Aperture geometry	Clear mesh size	Section	Deck	Position	Requirement	Part no.
MC110i EVO2	K117	1 - 9999	with cross-bar	20 mm	Hexagonal	50 mm	Feeding/discharge	Upper deck	Feeding/discharge, upper deck	1 pc.	2857566
				20 mm	Hexagonal	50 mm	Infeed	Upper deck	Lower deck discharge	1 pc.	2959320
			with cross-bar	20 mm	Hexagonal	60 mm	Feeding/discharge	Upper deck	Upper deck infeed	1 pc.	2857740
				20 mm	Hexagonal	60 mm	Discharge	Upper deck	Lower deck discharge	1 pc.	2959464
				20 mm	Hexagonal	60 mm	Infeed	Upper deck	Lower deck discharge	1 pc.	2959457
				20 mm	Hexagonal	70 mm	Discharge	Upper deck	Lower deck discharge	1 pc.	2959638
				20 mm	Hexagonal	70 mm	Infeed	Upper deck	Lower deck discharge	1 pc.	2959615
			with cross-bar	20 mm	Hexagonal	70 mm	Feeding/discharge	Upper deck	Upper deck infeed	1 pc.	2858101
			with cross-bar	20 mm	Hexagonal	80 mm	Feeding/discharge	Upper deck	Upper deck infeed	1 pc.	2858604
MR 110 Z EVO	K017	2 - 9999		20 mm	Hexagonal	30 mm	Infeed	Upper deck	Lower deck discharge	1 pc.	F20007098
				20 mm	Round	30 mm	Infeed	Upper deck	Upper deck infeed	1 pc.	2584667
				20 mm	Round	35 mm	Discharge	Upper deck	Lower deck discharge	1 pc.	2590423



PERFORATED PLATES											
Series code	Serial code	Series range	Special feature	Thickness	Aperture geometry	Clear mesh size	Section	Deck	Position	Requirement	Part no.
MR 110 Z EVO	K017	2 - 9999		20 mm	Round	35 mm	Infeed	Upper deck	Upper deck infeed	1 pc.	2590405
				20 mm	Round	40 mm	Discharge	Upper deck	Lower deck discharge	1 pc.	2590393
				20 mm	Round	45 mm	Discharge	Upper deck	Lower deck discharge	1 pc.	2590364
				20 mm	Round	45 mm	Infeed	Upper deck	Upper deck infeed	1 pc.	2590358
				20 mm	Round	50 mm	Discharge	Upper deck	Lower deck discharge	1 pc.	2590351
				20 mm	Round	50 mm	Infeed	Upper deck	Upper deck infeed	1 pc.	2590334
				20 mm	Round	60 mm	Infeed	Upper deck	Upper deck infeed	1 pc.	2590282
				20 mm	Round	60 mm	Discharge	Upper deck	Lower deck discharge	1 pc.	2592140
				20 mm	Round	70 mm	Discharge	Upper deck	Lower deck discharge	1 pc.	2590274
				20 mm	Round	70 mm	Infeed	Upper deck	Upper deck infeed	1 pc.	2590262
				20 mm	Round	80 mm	Discharge	Upper deck	Lower deck discharge	1 pc.	2590291
	20 mm	Round	80 mm	Infeed	Upper deck	Upper deck infeed	1 pc.	2590318			
MR 110 EVO2	K018	1 - 9999		20 mm	Hexagonal	30 mm	Discharge	Upper deck	Lower deck discharge	1 pc.	3057152

Original KLEEMANN  
**SCREENING**

PERFORATED PLATES											
Series code	Serial code	Series range	Special feature	Thickness	Aperture geometry	Clear mesh size	Section	Deck	Position	Requirement	Part no.
MR 110 EVO2	K018	1 - 9999		20 mm	Hexagonal	30 mm	Infeed	Upper deck	Upper deck infeed	1 pc.	3057114
				20 mm	Hexagonal	35 mm	Infeed	Upper deck	Upper deck infeed	1 pc.	3057067
				20 mm	Hexagonal	35 mm	Discharge	Upper deck	Lower deck discharge	1 pc.	3057092
				20 mm	Hexagonal	40 mm	Discharge	Upper deck	Lower deck discharge	1 pc.	3057009
				20 mm	Hexagonal	40 mm	Infeed	Upper deck	Upper deck infeed	1 pc.	3057028
				20 mm	Hexagonal	50 mm	Infeed	Upper deck	Lower deck discharge	1 pc.	3056934
				20 mm	Hexagonal	50 mm	Discharge	Upper deck	Upper deck infeed	1 pc.	3056940
				20 mm	Hexagonal	60 mm	Infeed	Upper deck	Upper deck infeed	1 pc.	3056820
				20 mm	Hexagonal	60 mm	Discharge	Upper deck	Lower deck discharge	1 pc.	3056827
				20 mm	Hexagonal	70 mm	Discharge	Upper deck	Upper deck infeed	1 pc.	3056015
				20 mm	Hexagonal	70 mm	Infeed	Upper deck	Lower deck discharge	1 pc.	3055989
MR 110 i EVO2	K019	1 - 9999		20 mm	Hexagonal	30 mm	Infeed	Upper deck	Upper deck infeed	1 pc.	3057114
				20 mm	Hexagonal	30 mm	Discharge	Upper deck	Lower deck discharge	1 pc.	3057152



PERFORATED PLATES											
Series code	Serial code	Series range	Special feature	Thickness	Aperture geometry	Clear mesh size	Section	Deck	Position	Requirement	Part no.
MR 110 i EVO2	K019	1 - 9999		20 mm	Hexagonal	35 mm	Infeed	Upper deck	Upper deck infeed	1 pc.	3057067
				20 mm	Hexagonal	35 mm	Discharge	Upper deck	Lower deck discharge	1 pc.	3057092
				20 mm	Hexagonal	40 mm	Infeed	Upper deck	Upper deck infeed	1 pc.	3057028
				20 mm	Hexagonal	40 mm	Discharge	Upper deck	Lower deck discharge	1 pc.	3057009
				20 mm	Hexagonal	50 mm	Infeed	Upper deck	Lower deck discharge	1 pc.	3056934
				20 mm	Hexagonal	50 mm	Discharge	Upper deck	Upper deck infeed	1 pc.	3056940
				20 mm	Hexagonal	60 mm	Discharge	Upper deck	Lower deck discharge	1 pc.	3056827
				20 mm	Hexagonal	60 mm	Infeed	Upper deck	Upper deck infeed	1 pc.	3056820
				20 mm	Hexagonal	70 mm	Discharge	Upper deck	Upper deck infeed	1 pc.	3056015
				20 mm	Hexagonal	70 mm	Infeed	Upper deck	Lower deck discharge	1 pc.	3055989
MR 122i PRO	K031	1 - 9999		20 mm	Hexagonal	100 mm	Discharge	Upper deck	Lower deck discharge	1 pc.	3058206
				20 mm	Hexagonal	100 mm	Infeed	Upper deck	Upper deck infeed	1 pc.	3057895
				20 mm	Hexagonal	30 mm	Infeed	Upper deck	Upper deck infeed	1 pc.	3056176

Original KLEEMANN  
**SCREENING**

PERFORATED PLATES											
Series code	Serial code	Series range	Special feature	Thickness	Aperture geometry	Clear mesh size	Section	Deck	Position	Requirement	Part no.
MR 122i PRO	K031	1 - 9999		20 mm	Hexagonal	30 mm	Discharge	Upper deck	Lower deck discharge	1 pc.	3058005
				20 mm	Hexagonal	40 mm	Discharge	Upper deck	Lower deck discharge	1 pc.	3058021
				20 mm	Hexagonal	40 mm	Infeed	Upper deck	Upper deck infeed	1 pc.	3056120
				20 mm	Hexagonal	50 mm	Discharge	Upper deck	Lower deck discharge	1 pc.	3058167
				20 mm	Hexagonal	50 mm	Infeed	Upper deck	Upper deck infeed	1 pc.	3056025
				20 mm	Hexagonal	60 mm	Infeed	Upper deck	Upper deck infeed	1 pc.	3056071
				20 mm	Hexagonal	60 mm	Discharge	Upper deck	Lower deck discharge	1 pc.	3058181
				20 mm	Hexagonal	70 mm	Discharge	Upper deck	Lower deck discharge	1 pc.	3057610
				20 mm	Hexagonal	70 mm	Infeed	Upper deck	Upper deck infeed	1 pc.	3056106
				20 mm	Hexagonal	80 mm	Discharge	Upper deck	Lower deck discharge	1 pc.	2584084
				20 mm	Hexagonal	80 mm	Infeed	Upper deck	Upper deck infeed	1 pc.	2584154
MR 122 PRO	K062	66 - 9999		20 mm	Hexagonal	100 mm	Discharge	Upper deck	Lower deck discharge	1 pc.	3058206
				20 mm	Hexagonal	100 mm	Infeed	Upper deck	Upper deck infeed	1 pc.	3057895



PERFORATED PLATES											
Series code	Serial code	Series range	Special feature	Thickness	Aperture geometry	Clear mesh size	Section	Deck	Position	Requirement	Part no.
MR 122 PRO	K062	66 - 9999		20 mm	Hexagonal	30 mm	Discharge	Upper deck	Lower deck discharge	1 pc.	3058005
				20 mm	Hexagonal	30 mm	Infeed	Upper deck	Upper deck infeed	1 pc.	3056176
				20 mm	Hexagonal	40 mm	Discharge	Upper deck	Lower deck discharge	1 pc.	3058021
				20 mm	Hexagonal	40 mm	Infeed	Upper deck	Upper deck infeed	1 pc.	3056120
				20 mm	Hexagonal	50 mm	Infeed	Upper deck	Upper deck infeed	1 pc.	3056025
				20 mm	Hexagonal	50 mm	Discharge	Upper deck	Lower deck discharge	1 pc.	3058167
				20 mm	Hexagonal	60 mm	Discharge	Upper deck	Lower deck discharge	1 pc.	3058181
				20 mm	Hexagonal	60 mm	Infeed	Upper deck	Upper deck infeed	1 pc.	3056071
				20 mm	Hexagonal	70 mm	Infeed	Upper deck	Upper deck infeed	1 pc.	3056106
				20 mm	Hexagonal	70 mm	Discharge	Upper deck	Lower deck discharge	1 pc.	3057610
				20 mm	Hexagonal	80 mm	Infeed	Upper deck	Upper deck infeed	1 pc.	2584154
	20 mm	Hexagonal	80 mm	Discharge	Upper deck	Lower deck discharge	1 pc.	2584084			
MR 130 Z	K024	70 - 299		20 mm	Hexagonal	30 mm	Infeed	Upper deck	Upper deck infeed	1 pc.	3056176

Original KLEEMANN  
**SCREENING**

PERFORATED PLATES											
Series code	Serial code	Series range	Special feature	Thickness	Aperture geometry	Clear mesh size	Section	Deck	Position	Requirement	Part no.
MR 130 Z	K024	70 - 299		20 mm	Hexagonal	40 mm	Infeed	Upper deck	Upper deck infeed	1 pc.	3056120
				20 mm	Hexagonal	50 mm	Infeed	Upper deck	Upper deck infeed	1 pc.	3056025
				20 mm	Hexagonal	60 mm	Infeed	Upper deck	Upper deck infeed	1 pc.	3056071
				20 mm	Hexagonal	80 mm	Infeed	Upper deck	Upper deck infeed	1 pc.	2584154
MR 130 Z EVO	K024	301 - 9999		20 mm	Hexagonal	100 mm	Infeed	Upper deck	Upper deck infeed	1 pc.	3057895
				20 mm	Hexagonal	100 mm	Discharge	Upper deck	Lower deck discharge	1 pc.	3058206
				20 mm	Hexagonal	30 mm	Discharge	Upper deck	Lower deck discharge	1 pc.	3058005
				20 mm	Hexagonal	30 mm	Infeed	Upper deck	Upper deck infeed	1 pc.	3056176
				20 mm	Hexagonal	40 mm	Discharge	Upper deck	Lower deck discharge	1 pc.	3058021
				20 mm	Hexagonal	40 mm	Infeed	Upper deck	Upper deck infeed	1 pc.	3056120
				20 mm	Hexagonal	50 mm	Discharge	Upper deck	Lower deck discharge	1 pc.	3058167
				20 mm	Hexagonal	50 mm	Infeed	Upper deck	Upper deck infeed	1 pc.	3056025
				20 mm	Hexagonal	60 mm	Infeed	Upper deck	Upper deck infeed	1 pc.	3056071





PERFORATED PLATES											
Series code	Serial code	Series range	Special feature	Thickness	Aperture geometry	Clear mesh size	Section	Deck	Position	Requirement	Part no.
MR 130 Z EVO	K024	301 - 9999		20 mm	Hexagonal	60 mm	Discharge	Upper deck	Lower deck discharge	1 pc.	3058181
				20 mm	Hexagonal	70 mm	Discharge	Upper deck	Lower deck discharge	1 pc.	3057610
				20 mm	Hexagonal	70 mm	Infeed	Upper deck	Upper deck infeed	1 pc.	3056106
				20 mm	Hexagonal	80 mm	Discharge	Upper deck	Lower deck discharge	1 pc.	2584084
				20 mm	Hexagonal	80 mm	Infeed	Upper deck	Upper deck infeed	1 pc.	2584154
MR 130 EVO2	K077	1 - 9999		20 mm	Hexagonal	20 mm	Discharge	Upper deck	Lower deck discharge	1 pc.	3072587
				20 mm	Hexagonal	25 mm	Infeed	Upper deck	Upper deck infeed	1 pc.	2947434
				20 mm	Hexagonal	25 mm	Discharge	Upper deck	Lower deck discharge	1 pc.	2947436
				20 mm	Hexagonal	30 mm	Infeed	Upper deck	Upper deck infeed	1 pc.	2957801
				20 mm	Hexagonal	30 mm	Discharge	Upper deck	Lower deck discharge	1 pc.	2957804
				20 mm	Hexagonal	35 mm	Discharge	Upper deck	Lower deck discharge	1 pc.	2959050
				20 mm	Hexagonal	35 mm	Infeed	Upper deck	Upper deck infeed	1 pc.	2959045
				20 mm	Hexagonal	40 mm	Infeed	Upper deck	Upper deck infeed	1 pc.	2959243

Original KLEEMANN  
**SCREENING**

PERFORATED PLATES											
Series code	Serial code	Series range	Special feature	Thickness	Aperture geometry	Clear mesh size	Section	Deck	Position	Requirement	Part no.
MR 130 EVO2	K077	1 - 9999		20 mm	Hexagonal	40 mm	Discharge	Upper deck	Lower deck discharge	1 pc.	2959246
				20 mm	Hexagonal	50 mm	Infeed	Upper deck	Upper deck infeed	1 pc.	2959320
				20 mm	Hexagonal	50 mm	Discharge	Upper deck	Lower deck discharge	1 pc.	2959326
				20 mm	Hexagonal	60 mm	Discharge	Upper deck	Lower deck discharge	1 pc.	2959464
				20 mm	Hexagonal	60 mm	Infeed	Upper deck	Upper deck infeed	1 pc.	2959457
				20 mm	Hexagonal	65 mm	Discharge	Upper deck	Upper deck infeed	1 pc.	3080718
				20 mm	Hexagonal	70 mm	Infeed	Upper deck	Upper deck infeed	1 pc.	2959615
				20 mm	Hexagonal	70 mm	Discharge	Upper deck	Lower deck discharge	1 pc.	2959638
				20 mm	Hexagonal	90 mm	Discharge	Upper deck	Lower deck discharge	1 pc.	3048164
				20 mm	Hexagonal	90 mm	Infeed	Upper deck	Upper deck infeed	1 pc.	3048191
MR 130i EVO2	K078	1 - 9999		20 mm	Hexagonal	20 mm	Discharge	Upper deck	Lower deck discharge	1 pc.	3072587
				20 mm	Hexagonal	25 mm	Infeed	Upper deck	Upper deck infeed	1 pc.	2947434
				20 mm	Hexagonal	25 mm	Discharge	Upper deck	Lower deck discharge	1 pc.	2947436



PERFORATED PLATES											
Series code	Serial code	Series range	Special feature	Thickness	Aperture geometry	Clear mesh size	Section	Deck	Position	Requirement	Part no.
MR 130i EVO2	K078	1 - 9999		20 mm	Hexagonal	30 mm	Discharge	Upper deck	Lower deck discharge	1 pc.	2957804
				20 mm	Hexagonal	30 mm	Infeed	Upper deck	Upper deck infeed	1 pc.	2957801
				20 mm	Hexagonal	35 mm	Infeed	Upper deck	Upper deck infeed	1 pc.	2959045
				20 mm	Hexagonal	35 mm	Discharge	Upper deck	Lower deck discharge	1 pc.	2959050
				20 mm	Hexagonal	40 mm	Infeed	Upper deck	Upper deck infeed	1 pc.	2959243
				20 mm	Hexagonal	40 mm	Discharge	Upper deck	Lower deck discharge	1 pc.	2959246
				20 mm	Hexagonal	50 mm	Infeed	Upper deck	Upper deck infeed	1 pc.	2959320
				20 mm	Hexagonal	50 mm	Discharge	Upper deck	Lower deck discharge	1 pc.	2959326
				20 mm	Hexagonal	60 mm	Infeed	Upper deck	Upper deck infeed	1 pc.	2959457
				20 mm	Hexagonal	60 mm	Discharge	Upper deck	Lower deck discharge	1 pc.	2959464
				20 mm	Hexagonal	65 mm	Discharge	Upper deck	Upper deck infeed	1 pc.	3080718
				20 mm	Hexagonal	70 mm	Discharge	Upper deck	Lower deck discharge	1 pc.	2959638
				20 mm	Hexagonal	70 mm	Infeed	Upper deck	Upper deck infeed	1 pc.	2959615

Original KLEEMANN  
**SCREENING**

PERFORATED PLATES											
Series code	Serial code	Series range	Special feature	Thickness	Aperture geometry	Clear mesh size	Section	Deck	Position	Requirement	Part no.
MR 130i EVO2	K078	1 - 9999		20 mm	Hexagonal	90 mm	Discharge	Upper deck	Lower deck discharge	1 pc.	3048164
				20 mm	Hexagonal	90 mm	Infeed	Upper deck	Upper deck infeed	1 pc.	3048191
MR 130 PRO	K124	1 - 9999		20 mm	Hexagonal	30 mm	Infeed	Upper deck	Upper deck infeed	1 pc.	2957801
				20 mm	Hexagonal	30 mm	Discharge	Upper deck	Lower deck discharge	1 pc.	2957804
				20 mm	Hexagonal	35 mm	Infeed	Upper deck	Upper deck infeed	1 pc.	2959045
				20 mm	Hexagonal	35 mm	Discharge	Upper deck	Lower deck discharge	1 pc.	2959050
				20 mm	Hexagonal	40 mm	Infeed	Upper deck	Upper deck infeed	1 pc.	2959243
				20 mm	Hexagonal	40 mm	Discharge	Upper deck	Lower deck discharge	1 pc.	2959246
				20 mm	Hexagonal	50 mm	Infeed	Upper deck	Upper deck infeed	1 pc.	2959320
				20 mm	Hexagonal	50 mm	Discharge	Upper deck	Lower deck discharge	1 pc.	2959326
				20 mm	Hexagonal	60 mm	Infeed	Upper deck	Upper deck infeed	1 pc.	2959457
				20 mm	Hexagonal	60 mm	Discharge	Upper deck	Lower deck discharge	1 pc.	2959464
				20 mm	Hexagonal	70 mm	Infeed	Upper deck	Upper deck infeed	1 pc.	2959615



PERFORATED PLATES											
Series code	Serial code	Series range	Special feature	Thickness	Aperture geometry	Clear mesh size	Section	Deck	Position	Requirement	Part no.
MR 130 PRO	K124	1 - 9999		20 mm	Hexagonal	70 mm	Discharge	Upper deck	Lower deck discharge	1 pc.	2959638
MR 130i PRO	K125	1 - 9999		20 mm	Hexagonal	30 mm	Infeed	Upper deck	Upper deck infeed	1 pc.	2957801
				20 mm	Hexagonal	30 mm	Discharge	Upper deck	Lower deck discharge	1 pc.	2957804
				20 mm	Hexagonal	35 mm	Infeed	Upper deck	Upper deck infeed	1 pc.	2959045
				20 mm	Hexagonal	35 mm	Discharge	Upper deck	Lower deck discharge	1 pc.	2959050
				20 mm	Hexagonal	40 mm	Infeed	Upper deck	Upper deck infeed	1 pc.	2959243
				20 mm	Hexagonal	40 mm	Discharge	Upper deck	Lower deck discharge	1 pc.	2959246
				20 mm	Hexagonal	50 mm	Infeed	Upper deck	Upper deck infeed	1 pc.	2959320
				20 mm	Hexagonal	50 mm	Discharge	Upper deck	Lower deck discharge	1 pc.	2959326
				20 mm	Hexagonal	60 mm	Infeed	Upper deck	Upper deck infeed	1 pc.	2959457
				20 mm	Hexagonal	60 mm	Discharge	Upper deck	Lower deck discharge	1 pc.	2959464
				20 mm	Hexagonal	70 mm	Infeed	Upper deck	Upper deck infeed	1 pc.	2959615
				20 mm	Hexagonal	70 mm	Discharge	Upper deck	Lower deck discharge	1 pc.	2959638

Original KLEEMANN  
**SCREENING**

PERFORATED PLATES											
Series code	Serial code	Series range	Special feature	Thickness	Aperture geometry	Clear mesh size	Section	Deck	Position	Requirement	Part no.
MSS 352 EVO	K067	223 - 9999		10 mm	Round	100 mm	Screening plant	Upper deck	Upper deck infeed	2 pc.	2530090
				10 mm	Hexagonal	45 mm	Screening plant	Upper deck	Upper deck infeed	2 pc.	2688452
				10 mm	Round	50 mm	Screening plant	Upper deck	Upper deck infeed	2 pc.	2530085
				10 mm	Round	60 mm	Screening plant	Upper deck	Upper deck infeed	2 pc.	2530087
				10 mm	Round	70 mm	Screening plant	Upper deck	Upper deck infeed	2 pc.	2530088
				10 mm	Round	80 mm	Screening plant	Upper deck	Upper deck infeed	2 pc.	2530089
MSS 502 EVO	K066	1 - 9999		10 mm	Round	35 mm	Screening plant	Upper deck	Upper deck infeed	3 pc.	2653981
				10 mm	Hexagonal	40 mm	Screening plant	Upper deck	Upper deck infeed	3 pc.	2873493
				10 mm	Round	50 mm	Screening plant	Upper deck	Upper deck infeed	3 pc.	M20001566
				10 mm	Hexagonal	50 mm	Screening plant	Upper deck	Upper deck infeed	3 pc.	2913261
				10 mm	Hexagonal	60 mm	Screening plant	Upper deck	Upper deck infeed	3 pc.	M20001773
				10 mm	Hexagonal	65 mm	Screening plant	Upper deck	Upper deck infeed	3 pc.	2757585
				10 mm	Hexagonal	70 mm	Screening plant	Upper deck	Upper deck infeed	3 pc.	M20001594



PERFORATED PLATES											
Series code	Serial code	Series range	Special feature	Thickness	Aperture geometry	Clear mesh size	Section	Deck	Position	Requirement	Part no.
MSS 502 EVO	K066	1 - 9999		10 mm	Hexagonal	75 mm	Screening plant	Upper deck	Upper deck infeed	3 pc.	M20001664
				10 mm	Round	90 mm	Screening plant	Upper deck	Upper deck infeed	3 pc.	M20001503
MS 15 Z-AD	K047	1 - 9999		10 mm	Hexagonal	30 mm	Screening plant	Upper deck	Upper deck infeed	4 pc.	2548433
				10 mm	Hexagonal	35 mm	Screening plant	Upper deck	Upper deck infeed	4 pc.	2549708
					Hexagonal	50 mm	Screening plant	Upper deck	Upper deck infeed	4 pc.	2567379
			SET	10 mm	Round	50 mm	Screening plant	Upper deck	Upper deck infeed	1 pc.	2555245
			10 mm	Round	60 mm	Screening plant	Upper deck	Upper deck infeed	4 pc.	M20001520	
		10 - 9999		10 mm	Hexagonal	100 mm	Screening plant	Upper deck	Upper deck infeed	4 pc.	2548434
			SET	10 mm	Hexagonal	70 mm	Screening plant	Upper deck	Upper deck infeed	1 pc.	2554941
	10 mm		Hexagonal	80 mm	Screening plant	Upper deck	Upper deck infeed	4 pc.	2501395		
MS 19 Z	K054	200 - 9999		8 mm	Round	100 mm	Screening plant	Upper deck	Upper deck infeed	4 pc.	3058597
				8 mm	Round	60 mm	Screening plant	Upper deck	Upper deck infeed	4 pc.	3058538
				8 mm	Round	70 mm	Screening plant	Upper deck	Upper deck infeed	4 pc.	3058025

Original KLEEMANN  
**SCREENING**

PERFORATED PLATES											
Series code	Serial code	Series range	Special feature	Thickness	Aperture geometry	Clear mesh size	Section	Deck	Position	Requirement	Part no.
MS 19 Z	K054	200 - 9999		8 mm	Round	80 mm	Screening plant	Upper deck	Upper deck infeed	4 pc.	3058571
MSS 1102 PRO	K076	1 - 9999	SET	10 mm	Hexagonal	100 mm	Screening plant	Upper deck	Upper deck infeed	1 pc.	2549712
				10 mm	Hexagonal	30 mm	Screening plant	Upper deck	Upper deck infeed	1 pc.	2549716
MSS 802 EVO	K082	10 - 9999		8 mm	Round	100 mm	Screening plant	Upper deck	Upper deck infeed	4 pc.	3058597
				8 mm	Hexagonal	45 mm	Screening plant	Upper deck	Upper deck infeed	4 pc.	2841880
				8 mm	Round	60 mm	Screening plant	Upper deck	Upper deck infeed	4 pc.	3058538
				8 mm	Round	70 mm	Screening plant	Upper deck	Upper deck infeed	4 pc.	3058025
				8 mm	Round	80 mm	Screening plant	Upper deck	Upper deck infeed	4 pc.	3058571





## SLOTTED GRATES

Genuine KLEEMANN slotted grates are used for sticky and extremely coarse material entering the machine that is difficult to screen.



SLOTTED GRATES					
Series code	Serial code	Series range	Gap width	Deck	Part no.
MC 100 R	K001	1 - 9999	32 mm	Upper deck	F20007487
			50 mm	Upper deck	F10350432
			60 mm	Upper deck	F20004901
			90 mm	Upper deck	F10578302
MC 100 EVO	K002	1 - 9999	40 mm	Upper deck	2339535
			50 mm	Upper deck	2339536
			60 mm	Upper deck	2339538
MC 100i EVO	K011	1 - 9999	40 mm	Upper deck	2339535
			50 mm	Upper deck	2339536
			60 mm	Upper deck	2339538
MC 110 R EVO	K005	1 - 9999	45 mm	Upper deck	2298411
			55 mm	Upper deck	2298412
			65 mm	Upper deck	2298413
MC 110 Ri EVO	K014	1 - 9999	45 mm	Upper deck	2298411
			55 mm	Upper deck	2298412
			65 mm	Upper deck	2298413
MC 110 Z	K004	1 - 9999	45 mm	Upper deck	F20003570
			55 mm	Upper deck	F20003701
			65 mm	Upper deck	F20017141
			70 mm	Upper deck	F20006593

Original KLEEMANN  
**SCREENING**

SLOTTED GRATES					
Series code	Serial code	Series range	Gap width	Deck	Part no.
MC 110 Z EVO	K006	1 - 9999	45 mm	Upper deck	2298411
			55 mm	Upper deck	2298412
			65 mm	Upper deck	2298413
MC 110 R	K003	1 - 9999	40 mm	Upper deck	2234419
			50 mm	Upper deck	F20009648
MC 110 Zi EVO	K015	1 - 9999	45 mm	Upper deck	2298411
			55 mm	Upper deck	2298412
			65 mm	Upper deck	2298413
MC 120 Z	K007	1 - 9999	45 mm	Upper deck	F20017519
			65 mm	Upper deck	F20007126
			75 mm	Upper deck	F20017522
			80 mm	Upper deck	F10538960
			85 mm	Upper deck	F20017086
			90 mm	Upper deck	F20000021
MC 120 PRO	K034	1 - 13	55 mm	Upper deck	2577900
			65 mm	Upper deck	2577780
			75 mm	Upper deck	2575901
			85 mm	Upper deck	2527098
		14 - 9999	55 mm	Upper deck	2611642
			65 mm	Upper deck	2610502
			75 mm	Upper deck	2622034
			85 mm	Upper deck	2610000
MC 120 i PRO	K035	1 - 1	55 mm	Upper deck	2577900
			65 mm	Upper deck	2577780
			75 mm	Upper deck	2575901
			85 mm	Upper deck	2527098



SLOTTED GRATES					
Series code	Serial code	Series range	Gap width	Deck	Part no.
MC 120 i PRO	K035	2 - 9999	55 mm	Upper deck	2611642
			65 mm	Upper deck	2610502
			75 mm	Upper deck	2622034
			85 mm	Upper deck	2610000
MC 110 EVO2	K116	1 - 9999	45 mm	Upper deck	2298411
			55 mm	Upper deck	2298412
			65 mm	Upper deck	2298413
MC110i EVO2	K117	1 - 9999	45 mm	Upper deck	2298411
			55 mm	Upper deck	2298412
			65 mm	Upper deck	2298413
MR 100 Z	K013	10 - 9999	45 mm	Upper deck	F10410151
MR 110 R EVO	K016	1 - 9999	50 mm	Upper deck	F20009648
MR 110 Z EVO	K017	2 - 9999	45 mm	Upper deck	F20003570
			55 mm	Upper deck	F20003701
			65 mm	Upper deck	F20017141
MR 110 EVO2	K018	1 - 9999	45 mm	Upper deck	2332229
			55 mm	Upper deck	2332262
			65 mm	Upper deck	2332315
			75 mm	Upper deck	2332183
MR 110 i EVO2	K019	1 - 9999	45 mm	Upper deck	2332229
			55 mm	Upper deck	2332262
			65 mm	Upper deck	2332315
			75 mm	Upper deck	2332183
MR 122 PRO	K062	1 - 9999	45 mm	Upper deck	F20018433
			55 mm	Upper deck	F20018405
			70 mm	Upper deck	F20018497

Original KLEEMANN  
**SCREENING**

SLOTTED GRATES					
Series code	Serial code	Series range	Gap width	Deck	Part no.
MR 130 R EVO	K023	200 - 9999	50 mm	Upper deck	F20017616
MR 130 Z	K024	1 - 299	45 mm	Upper deck	F20018433
			55 mm	Upper deck	F20018405
			70 mm	Upper deck	F20018497
			MR 130 Z EVO	K024	301 - 9999
			55 mm	Upper deck	F20011381
			65 mm	Upper deck	F20011677
MR 130 EVO2	K077	1 - 9999	35 mm	Upper deck	2456989
			45 mm	Upper deck	2298473
			55 mm	Upper deck	2295997
			65 mm	Upper deck	2341036
MR 130i EVO2	K078	1 - 9999	35 mm	Upper deck	2456989
			45 mm	Upper deck	2298473
			55 mm	Upper deck	2295997
			65 mm	Upper deck	2341036
MR 130 PRO	K124	1 - 9999	35 mm	Upper deck	2947024
			45 mm	Upper deck	2858238
			55 mm	Upper deck	2946181
			65 mm	Upper deck	2946558
MR 130i PRO	K125	1 - 9999	35 mm	Upper deck	2947024
			45 mm	Upper deck	2858238
			55 mm	Upper deck	2946181
			65 mm	Upper deck	2946558
MSS 502 EVO	K066	1 - 9999	75 mm	Upper deck	2774614
MS 15 Z-AD	K047	1 - 9999	100 mm	Upper deck	M10025587
			125 mm	Upper deck	M10025588



SLOTTED GRATES					
Series code	Serial code	Series range	Gap width	Deck	Part no.
MS 15 Z-AD	K047	1 - 9999	75 mm	Upper deck	M10024206
MSS 1102 PRO	K076	1 - 9999	150 mm	Upper deck	2973353
			75 mm	Upper deck	2479052
MSS 802 EVO	K082	10 - 9999	100 mm	Upper deck	2763361
			125 mm	Upper deck	2776896
			125 mm	Upper deck	2776847
MSS 802i EVO	K102	10 - 9999	100 mm	Upper deck	2763361
			125 mm	Upper deck	2776896
			125 mm	Upper deck	2776847

# Original KLEEMANN SCREENING

## VIBRATING GRATES

With the help of genuine KLEEMANN vibrating grates, coarse materials can be screened out in advance and the plant can be fed with material of a defined grain size.



VIBRATING GRATES										
Series code	Serial code	Series range	Part	Clear mesh size	Gap width	Deck	Position	Wire diameter	Requirement	Part no.
MSC 702 EVO	K083	1 - 9999	QM- GRADE 32 rect- angular mesh	32 mm		Lower deck		8 mm	2 pc.	2447828
			QM- GRADE 55 rect- angular mesh	55 mm		Lower deck		10 mm	2 pc.	2447834
			QM- GRADE 60 rect- angular mesh	60 mm		Lower deck		10 mm	2 pc.	2447838
			QM- GRADE 70 rect- angular mesh	70 mm		Lower deck		10 mm	2 pc.	2447841
			QM- GRADE 90 rect- angular mesh	90 mm		Lower deck		12 mm	2 pc.	2447842
		10 - 39	SG- GRADE 100 slot- ted grate		100 mm	Upper deck	left		1 pc.	2410844
					100 mm	Upper deck	right		1 pc.	2410896



VIBRATING GRATES										
Series code	Serial code	Series range	Part	Clear mesh size	Gap width	Deck	Position	Wire diameter	Requirement	Part no.
MSC 702 EVO	K083	10 - 39	SG-GRADE 150 slot- ted grate		150 mm	Upper deck	left		1 pc.	2411448
					150 mm	Upper deck	right		1 pc.	2413303
		40 - 9999	SG-GRADE 100 slot- ted grate		100 mm	Upper deck	right		1 pc.	2492216
					100 mm	Upper deck	left		1 pc.	2492215
MSC 703 EVO	K084	1 - 9999	QM- GRADE 32 rect- angular mesh	32 mm		Lower deck		8 mm	2 pc.	2447828
				55 mm		Lower deck		10 mm	2 pc.	2447834
				60 mm		Lower deck		10 mm	2 pc.	2447838
				70 mm		Lower deck		10 mm	2 pc.	2447841
				90 mm		Lower deck		12 mm	2 pc.	2447842
		10 - 53	SG- GRADE 100 slot- ted grate		100 mm	Upper deck	left		1 pc.	2410844
					100 mm	Upper deck	right		1 pc.	2410896

Original KLEEMANN  
**SCREENING**

VIBRATING GRATES										
Series code	Serial code	Series range	Part	Clear mesh size	Gap width	Deck	Position	Wire diameter	Requirement	Part no.
MSC 703 EVO	K084	10 - 53	SG-GRADE 150 slot- ted grate		150 mm	Upper deck	right		1 pc.	2413303
					150 mm	Upper deck	left		1 pc.	2411448
		54 - 9999	SG-GRADE 100 slot- ted grate		100 mm	Upper deck	left		1 pc.	2492215
					100 mm	Upper deck	right		1 pc.	2492216
MSC 952 EVO	K085	1 - 9999	QM- GRADE 32 rect- angular mesh	32 mm		Lower deck		8 mm	2 pc.	2447828
				55 mm		Lower deck		10 mm	2 pc.	2447834
				60 mm		Lower deck		10 mm	2 pc.	2447838
				70 mm		Lower deck		10 mm	2 pc.	2447841
				90 mm		Lower deck		12 mm	2 pc.	2447842
		10 - 27	SG- GRADE 100 slot- ted grate		100 mm	Upper deck	right		1 pc.	2410896
					100 mm	Upper deck	left		1 pc.	2410844





VIBRATING GRATES										
Series code	Serial code	Series range	Part	Clear mesh size	Gap width	Deck	Position	Wire diameter	Requirement	Part no.
MSC 952 EVO	K085	10 - 27	SG-GRADE 150 slot- ted grate		150 mm	Upper deck	right		1 pc.	2413303
					150 mm	Upper deck	left		1 pc.	2411448
		28 - 9999	SG-GRADE 100 slot- ted grate		100 mm	Upper deck	left		1 pc.	2492215
					100 mm	Upper deck	right		1 pc.	2492216
MSC 953 EVO	K086	1 - 9999	QM- GRADE 32 rect- angular mesh	32 mm		Lower deck		8 mm	2 pc.	2447828
			QM- GRADE 55 rect- angular mesh	55 mm		Lower deck		10 mm	2 pc.	2447834
			QM- GRADE 60 rect- angular mesh	60 mm		Lower deck		10 mm	2 pc.	2447838
			QM- GRADE 70 rect- angular mesh	70 mm		Lower deck		10 mm	2 pc.	2447841
			QM- GRADE 90 rect- angular mesh	90 mm		Lower deck		12 mm	2 pc.	2447842
		10 - 85	SG-GRADE 100 slot- ted grate		100 mm	Upper deck	left		1 pc.	2410844
					100 mm	Upper deck	right		1 pc.	2410896

Original KLEEMANN  
**SCREENING**

VIBRATING GRATES										
Series code	Serial code	Series range	Part	Clear mesh size	Gap width	Deck	Position	Wire diameter	Requirement	Part no.
MSC 953 EVO	K086	10 - 85	SG-GRADE 150 slot- ted grate		150 mm	Upper deck	left		1 pc.	2411448
					150 mm	Upper deck	right		1 pc.	2413303
		86 - 9999	SG-GRADE 100 slot- ted grate		100 mm	Upper deck	left		1 pc.	2492215
					100 mm	Upper deck	right		1 pc.	2492216
MSC 702i EVO	K103	1 - 9999	QM- GRADE 32 rect- angular mesh	32 mm		Lower deck		8 mm	2 pc.	2447828
				55 mm		Lower deck		10 mm	2 pc.	2447834
				60 mm		Lower deck		10 mm	2 pc.	2447838
				70 mm		Lower deck		10 mm	2 pc.	2447841
				90 mm		Lower deck		12 mm	2 pc.	2447842
		10 - 15	SG- GRADE 100 slot- ted grate		100 mm	Upper deck	left		1 pc.	2410844
					100 mm	Upper deck	right		1 pc.	2410896



VIBRATING GRATES										
Series code	Serial code	Series range	Part	Clear mesh size	Gap width	Deck	Position	Wire diameter	Requirement	Part no.
MSC 702i EVO	K103	10 - 15	SG-GRADE 150 slot- ted grate		150 mm	Upper deck	left		1 pc.	2411448
					150 mm	Upper deck	right		1 pc.	2413303
		16 - 9999	SG-GRADE 100 slot- ted grate		100 mm	Upper deck	left		1 pc.	2492215
					100 mm	Upper deck	right		1 pc.	2492216
MSC 703i EVO	K104	1 - 9999	QM- GRADE 32 rect- angular mesh	32 mm		Lower deck		8 mm	2 pc.	2447828
				55 mm		Lower deck		10 mm	2 pc.	2447834
				60 mm		Lower deck		10 mm	2 pc.	2447838
				70 mm		Lower deck		10 mm	2 pc.	2447841
				90 mm		Lower deck		12 mm	2 pc.	2447842
		10 - 14	SG-GRADE 100 slot- ted grate		100 mm	Upper deck	left		1 pc.	2410844
					100 mm	Upper deck	right		1 pc.	2410896

Original KLEEMANN  
**SCREENING**

VIBRATING GRATES										
Series code	Serial code	Series range	Part	Clear mesh size	Gap width	Deck	Position	Wire diameter	Requirement	Part no.
MSC 703i EVO	K104	10 - 14	SG-GRADE 150 slot- ted grate		150 mm	Upper deck	left		1 pc.	2411448
					150 mm	Upper deck	right		1 pc.	2413303
		15 - 9999	SG-GRADE 100 slot- ted grate		100 mm	Upper deck	left		1 pc.	2492215
					100 mm	Upper deck	right		1 pc.	2492216
MSC 952i EVO	K105	1 - 9999	QM-GRADE 32 rect- angular mesh	32 mm		Lower deck		8 mm	2 pc.	2447828
				55 mm		Lower deck		10 mm	2 pc.	2447834
				60 mm		Lower deck		10 mm	2 pc.	2447838
				70 mm		Lower deck		10 mm	2 pc.	2447841
				90 mm		Lower deck		12 mm	2 pc.	2447842
		10 - 16	SG-GRADE 100 slot- ted grate		100 mm	Upper deck	left		1 pc.	2410844
					100 mm	Upper deck	right		1 pc.	2410896



VIBRATING GRATES										
Series code	Serial code	Series range	Part	Clear mesh size	Gap width	Deck	Position	Wire diameter	Requirement	Part no.
MSC 952i EVO	K105	10 - 16	SG-GRADE 150 slot- ted grate		150 mm	Upper deck	left		1 pc.	2411448
					150 mm	Upper deck	right		1 pc.	2413303
		17 - 9999	SG-GRADE 100 slot- ted grate		100 mm	Upper deck	left		1 pc.	2492215
					100 mm	Upper deck	right		1 pc.	2492216
MSC 953i EVO	K106	1 - 9999	QM- GRADE 32 rect- angular mesh	32 mm		Lower deck		8 mm	2 pc.	2447828
			QM- GRADE 55 rect- angular mesh	55 mm		Lower deck		10 mm	2 pc.	2447834
			QM- GRADE 60 rect- angular mesh	60 mm		Lower deck		10 mm	2 pc.	2447838
			QM- GRADE 70 rect- angular mesh	70 mm		Lower deck		10 mm	2 pc.	2447841
			QM- GRADE 90 rect- angular mesh	90 mm		Lower deck		12 mm	2 pc.	2447842
		10 - 24	SG- GRADE 100 slot- ted grate		100 mm	Upper deck	left		1 pc.	2410844
					100 mm	Upper deck	right		1 pc.	2410896

Original KLEEMANN  
**SCREENING**

VIBRATING GRATES										
Series code	Serial code	Series range	Part	Clear mesh size	Gap width	Deck	Position	Wire diameter	Requirement	Part no.
MSC 953i EVO	K106	10 - 24	SG-GRADE 150 slot- ted grate		150 mm	Upper deck	left		1 pc.	2411448
					150 mm	Upper deck	right		1 pc.	2413303
		25 - 9999	SG-GRADE 100 slot- ted grate		100 mm	Upper deck	left		1 pc.	2492215
					100 mm	Upper deck	right		1 pc.	2492216



# MAINTENANCE PARTS



Filling or lubricating your machine with a lubricant specially tailored to the application has a significant impact on the service life of the active parts in combustion engines, hydraulic components, gearboxes and bearings. WIRTGEN GROUP lubricants are optimised for your machine

and therefore meet these special requirements perfectly. Combined with WIRTGEN GROUP filter sets and maintenance packages, our lubricants are the best choice to maintain the performance of your machine and permanently reduce maintenance costs.



> Read more online

# MAINTENANCE PARTS

## FILTER SETS

WIRTGEN GROUP filter systems, which are designed to be perfectly compatible with our lubricants and operating agents, ensure that the systems remain clean and prevent damage to components, thus maximising the service life of your machines. The filter packages contain the engine and hydraulic filters required based on the machine type's respective replacement interval. In order to ensure that the machine performs at its best, we recommend that you adhere to the specified replacement intervals.



FILTER SETS							
Series code	Serial code	Series range	Type	Application	Requirement	Motor	Part no.
MC 100 R	K001	1 - 9999	Hydraulics			<b>First service   Replacement interval</b> 500 h   1000 h	F10615349
			Motor			<b>Engine manufacturer   Exhaust emission standard   Replacement interval</b> Scania   EU Stage 2a   400 h	2270747
			Motor			<b>Engine manufacturer   Exhaust emission standard   Replacement interval</b> Scania   EU Stage 3a, LRC   500 h	2270763
			Motor			<b>Engine manufacturer   Exhaust emission standard   Additional info   First service   Replacement interval</b> Scania   EU Stage 3a, LRC   Standard/hot weather set   500 h   2000 h	2270762
			Motor			<b>Engine manufacturer   Exhaust emission standard   First service   Replacement interval</b> Scania   EU Stage 2a   400 h   2000 h	2270754
MC 100 EVO	K002	1 - 9999	Over pressure system	Over pressure system	1 pc.		2355630
			Hydraulics			<b>First service   Replacement interval</b> 500 h   2000 h	2330204





FILTER SETS							
Series code	Serial code	Series range	Type	Application	Requirement	Motor	Part no.
MC 100 EVO	K002	1 - 9999	Motor			<b>Engine manufacturer   Exhaust emission standard   First service   Replacement interval</b> Deutz   EU Stage 3a   500 h   2000 h	2396001
			Motor			<b>Engine manufacturer   Exhaust emission standard   Replacement interval</b> Deutz   EU Stage 3a   500 h	2396000
			Hydraulics			<b>Replacement interval</b> 1000 h	2330206
MC 100i EVO	K011	1 - 9999	Over pressure system	Over pressure system	1 pc.		2355630
			Hydraulics			<b>First service   Replacement interval</b> 500 h   2000 h	2330204
			Motor			<b>Engine manufacturer   Exhaust emission standard   Replacement interval</b> Deutz   US EPA Tier 4f   2000 h	2407888
			Motor			<b>Engine manufacturer   Exhaust emission standard   First service   Replacement interval</b> Deutz   US EPA Tier 4f   500 h   500 h	2407887
			Hydraulics			<b>Replacement interval</b> 1000 h	2330206
MC 110 R EVO	K005	1 - 9999	Motor			<b>Engine manufacturer   Exhaust emission standard   First service   Replacement interval</b> Scania   EU Stage 3a   500 h   2000 h	2270762
			Motor			<b>Engine manufacturer   Exhaust emission standard   Replacement interval</b> Scania   EU Stage 3a   500 h	2270763
			Hydraulics			<b>First service</b> 500 h	2330204
			Hydraulics			<b>Replacement interval</b> 1000 h	2330206



# MAINTENANCE PARTS

FILTER SETS							
Series code	Serial code	Series range	Type	Application	Requirement	Motor	Part no.
MC 110 R EVO	K005	1 - 9999	Motor			<b>Engine manufacturer   Exhaust emission standard   Additional info   Replacement interval</b> Scania   LRC   Cold weather set   500 h	2403244
			Motor			<b>Engine manufacturer   Exhaust emission standard   Additional info   First service   Replacement interval</b> Scania   LRC   Cold weather set   500 h   2000 h	2403247
		50 - 220	Over pressure system	Over pressure system	1 pc.		2355630
MC 110 Ri EVO	K014	1 - 9999	Hydraulics			<b>First service</b> 500 h	2330204
			Motor			<b>Engine manufacturer   Exhaust emission standard   First service   Replacement interval</b> Scania   US EPA Tier 4f   500 h   2000 h	2382644
			Motor			<b>Engine manufacturer   Exhaust emission standard   Replacement interval</b> Scania   US EPA Tier 4f   500 h	2379004
			Hydraulics			<b>Replacement interval</b> 1000 h	2330206
MC 110 Z	K004	1 - 9999	Hydraulics			<b>First service   Replacement interval</b> 500 h   1000 h	F10615369
			Motor			<b>Engine manufacturer   Exhaust emission standard   Replacement interval</b> Scania   EU Stage 2a   400 h	2270747
			Motor			<b>Engine manufacturer   Exhaust emission standard   First service   Replacement interval</b> Scania   EU Stage 2a   400 h   2000 h	2270754



FILTER SETS							
Series code	Serial code	Series range	Type	Application	Requirement	Motor	Part no.
MC 110 Z	K004	1 - 9999	Motor			<b>Engine manufacturer   Exhaust emission standard   First service   Replacement interval</b> CAT   US EPA Tier 3   250 h   3000 h	2270779
			Motor			<b>Engine manufacturer   Exhaust emission standard   First service   Replacement interval</b> Scania   EU Stage 3a, LRC   500 h   2000 h	2270764
			Motor			<b>Engine manufacturer   Exhaust emission standard   Replacement interval</b> CAT   US EPA Tier 3   250 h	2270778
			Motor			<b>Engine manufacturer   Exhaust emission standard   Additional info   Replacement interval</b> Scania   EU Stage 3a, LRC   Standard/hot weather set   500 h	2270763
MC 110 Z EVO	K006	1 - 9999	Hydraulics			<b>First service</b> 500 h	2330204
			Motor			<b>Engine manufacturer   Exhaust emission standard   First service   Replacement interval</b> Scania   EU Stage 3a   500 h   2000 h	2270762
			Motor			<b>Engine manufacturer   Exhaust emission standard   Replacement interval</b> Scania   EU Stage 3a   500 h	2270763
			Motor			<b>Engine manufacturer   Exhaust emission standard   First service   Replacement interval</b> Scania   LRC   500 h   2000 h	2403247
			Hydraulics			<b>Replacement interval</b> 1000 h	2330206

# MAINTENANCE PARTS

FILTER SETS							
Series code	Serial code	Series range	Type	Application	Requirement	Motor	Part no.
MC 110 Z EVO	K006	1 - 9999	Motor			<b>Engine manufacturer   Exhaust emission standard   Replacement interval</b> Scania   LRC   500 h	2403244
		84 - 487	Over pressure system	Over pressure system	1 pc.		2355630
MC 110 R	K003	1 - 9999	Motor			<b>Engine manufacturer   Exhaust emission standard   First service   Replacement interval</b> CAT   US EPA Tier 3   250 h   3000 h	2270779
			Hydraulics			<b>First service   Replacement interval</b> 500 h   1000 h	F10615369
			Motor			<b>Engine manufacturer   Exhaust emission standard   Replacement interval</b> Scania   EU Stage 2a   400 h	2270747
			Motor			<b>Engine manufacturer   Exhaust emission standard   Replacement interval</b> CAT   US EPA Tier 3   250 h	2270778
			Motor			<b>Engine manufacturer   Exhaust emission standard   Additional info   Replacement interval</b> Scania   EU Stage 3a, LRC   Standard/hot weather set   500 h	2270763
			Motor			<b>Engine manufacturer   Exhaust emission standard   Additional info   First service   Replacement interval</b> Scania   EU Stage 3a, LRC   Standard/hot weather set   500 h   2000 h	2270764
			Motor			<b>Engine manufacturer   Exhaust emission standard   First service   Replacement interval</b> Scania   EU Stage 2a   400 h   2000 h	2270754



FILTER SETS							
Series code	Serial code	Series range	Type	Application	Requirement	Motor	Part no.
MC 110 Zi EVO	K015	1 - 9999	Hydraulics			<b>First service</b> 500 h	2330204
			Motor			<b>Engine manufacturer   Exhaust emission standard   First service   Replacement interval</b> Scania   US EPA Tier 4f   500 h   2000 h	2382644
			Motor			<b>Engine manufacturer   Exhaust emission standard   Replacement interval</b> Scania   US EPA Tier 4f   500 h	2379004
			Hydraulics			<b>Replacement interval</b> 1000 h	2330206
MC 120 Z	K007	1 - 9999	Hydraulics			<b>First service   Replacement interval</b> 500 h   1000 h	F10615349
			Motor			<b>Engine manufacturer   Exhaust emission standard   Replacement interval</b> Scania   EU Stage 2a   400 h	2270755
			Motor			<b>Engine manufacturer   Exhaust emission standard   First service   Replacement interval</b> Scania   EU Stage 2a   400 h   2000 h	2270756
			Motor			<b>Engine manufacturer   Exhaust emission standard   Replacement interval</b> Scania   EU Stage 3a   500 h	2270763
			Motor			<b>Engine manufacturer   Exhaust emission standard   Additional info   First service   Replacement interval</b> Scania   LRC   Cold weather set   500 h   2000 h	2403248
			Motor			<b>Engine manufacturer   Exhaust emission standard   Replacement interval</b> CAT   US EPA Tier 3   250 h	2270780

Due to possible technical changes, always refer to the information in the instruction manual.

# MAINTENANCE PARTS

FILTER SETS							
Series code	Serial code	Series range	Type	Application	Requirement	Motor	Part no.
MC 120 Z	K007	1 - 9999	Motor			<b>Engine manufacturer   Exhaust emission standard   First service   Replacement interval</b> CAT   US EPA Tier 3   250 h   3000 h	2270782
			Motor			<b>Engine manufacturer   Exhaust emission standard   Additional info   Replacement interval</b> Scania   LRC   Cold weather set   500 h	2403244
			Motor			<b>Engine manufacturer   Exhaust emission standard   First service   Replacement interval</b> Scania   EU Stage 3a   500 h   2000 h	2270764
MC 120 PRO	K034	1 - 9999	Over pressure system	Over pressure system	1 pc.		2355630
			Motor			<b>Engine manufacturer   Exhaust emission standard   Additional info   First service   Replacement interval</b> Scania   EU Stage 3a   Hot weather set   500 h   2000 h	2532465
			Motor			<b>Engine manufacturer   Exhaust emission standard   Additional info   Replacement interval</b> Scania   EU Stage 3a   Hot weather set   500 h	2532466
			Hydraulics			<b>Replacement interval</b> 1000 h	2585404
			Motor			<b>Engine manufacturer   Exhaust emission standard   Additional info   First service   Replacement interval</b> Scania   EU Stage 3a, LRC   Cold weather set   500 h   2000 h	2562258
			Hydraulics			<b>First service   Replacement interval</b> 500 h   2000 h	2585402



FILTER SETS							
Series code	Serial code	Series range	Type	Application	Requirement	Motor	Part no.
MC 120 PRO	K034	1 - 9999	Motor			<b>Engine manufacturer   Exhaust emission standard   Additional info   Replacement interval</b> Scania   EU Stage 3a, LRC   Cold weather set   500 h	2562256
MC 120 i PRO	K035	1 - 9999	Motor			<b>Engine manufacturer   Exhaust emission standard   Additional info   Replacement interval</b> Scania   US EPA Tier 4f   Hot/cold weather set   500 h	2562262
			Hydraulics			<b>Replacement interval</b> 1000 h	2585404
			Motor			<b>Engine manufacturer   Exhaust emission standard   Additional info   First service   Replacement interval</b> Scania   US EPA Tier 4f   Hot/cold weather set   500 h   2000 h	2562261
			Hydraulics			<b>First service   Replacement interval</b> 500 h   2000 h	2585402
		6 - 9999	Motor	Motor	1 pc.	<b>Engine manufacturer   Engine type   Exhaust emission standard</b> Scania   DC13   STAGE V	2870407
		21 - 9999	Over pressure system	Over pressure system	1 pc.		2355630
MC 125 PRO	K008	1 - 9999	Hydraulics			<b>First service   Replacement interval</b> 500 h   1000 h	F10615349
			Motor			<b>Engine manufacturer   Exhaust emission standard   Replacement interval</b> Scania   EU Stage 2a   400 h	2270755
			Motor			<b>Engine manufacturer   Exhaust emission standard   First service   Replacement interval</b> Scania   EU Stage 3a   500 h   2000 h	2270764



# MAINTENANCE PARTS

FILTER SETS							
Series code	Serial code	Series range	Type	Application	Requirement	Motor	Part no.
MC 125 PRO	K008	1 - 9999	Motor			<b>Engine manufacturer   Exhaust emission standard   Replacement interval</b> Scania   EU Stage 3a   500 h	2270763
			Motor			<b>Engine manufacturer   Exhaust emission standard   First service   Replacement interval</b> Scania   EU Stage 2a   400 h   2000 h	2270756
MC 110 EVO2	K116	1 - 9999	Over pressure system	Over pressure system	1 pc.		2355630
MC110i EVO2	K117	1 - 9999	Over pressure system	Over pressure system	1 pc.		2355630
MCO 9 EVO	K072	1 - 9999	Motor			<b>Engine manufacturer   Exhaust emission standard   First service   Replacement interval</b> Scania   EU Stage 3a   500 h   2000 h	2270762
			Motor			<b>Engine manufacturer   Exhaust emission standard   Replacement interval</b> Scania   EU Stage 3a   500 h	2270763
			Hydraulics			<b>First service   Replacement interval</b> 500 h   2000 h	2390020
			Hydraulics			<b>Replacement interval</b> 500 h	2393114
			Motor			<b>Engine manufacturer   Exhaust emission standard   Replacement interval</b> Scania   LRC   500 h	2403244
			Motor			<b>Engine manufacturer   Exhaust emission standard   First service   Replacement interval</b> Scania   LRC   500 h   2000 h	2403247
		8 - 155	Over pressure system	Over pressure system	1 pc.		2355630
MCO 9i EVO	K073	1 - 21	Over pressure system	Over pressure system	1 pc.		2355630
		1 - 9999	Hydraulics			<b>Replacement interval</b> 500 h	2393114





FILTER SETS							
Series code	Serial code	Series range	Type	Application	Requirement	Motor	Part no.
MCO 9i EVO	K073	1 - 9999	Hydraulics			<b>First service   Replacement interval</b> 500 h   2000 h	2390020
			Motor			<b>Engine manufacturer   Exhaust emission standard   Replacement interval</b> Scania   US EPA Tier 4f   500 h	2379004
			Motor			<b>Engine manufacturer   Exhaust emission standard   First service   Replacement interval</b> Scania   US EPA Tier 4f   500 h   2000 h	2382644
MCO 9 S EVO	K074	1 - 9999	Motor			<b>Engine manufacturer   Exhaust emission standard   First service   Replacement interval</b> Scania   EU Stage 3a   500 h   2000 h	2270762
			Motor			<b>Engine manufacturer   Exhaust emission standard   Replacement interval</b> Scania   EU Stage 3a   500 h	2270763
			Hydraulics			<b>First service   Replacement interval</b> 500 h   2000 h	2390020
			Motor			<b>Engine manufacturer   Exhaust emission standard   First service   Replacement interval</b> Scania   LRC   500 h   2000 h	2403247
			Hydraulics			<b>Replacement interval</b> 500 h	2393114
		Motor			<b>Engine manufacturer   Exhaust emission standard   Replacement interval</b> Scania   LRC   500 h	2403244	
		5 - 114	Over pressure system	Over pressure system	1 pc.		2355630
MCO 9 Si EVO	K075	1 - 29	Over pressure system	Over pressure system	1 pc.		2355630
		1 - 9999	Hydraulics			<b>Replacement interval</b> 500 h	2393114

Due to possible technical changes, always refer to the information in the instruction manual.



# MAINTENANCE PARTS

FILTER SETS							
Series code	Serial code	Series range	Type	Application	Requirement	Motor	Part no.
MCO 9 Si EVO	K075	1 - 9999	Hydraulics			<b>First service   Replacement interval</b> 500 h   2000 h	2390020
			Motor			<b>Engine manufacturer   Exhaust emission standard   Replacement interval</b> Scania   US EPA Tier 4f   500 h	2379004
			Motor			<b>Engine manufacturer   Exhaust emission standard   First service   Replacement interval</b> Scania   US EPA Tier 4f   500 h   2000 h	2382644
MCO 90 EVO2	K120	1 - 9999	Over pressure system	Over pressure system	1 pc.		2355630
MCO 90i EVO2	K121	1 - 9999	Over pressure system	Over pressure system	1 pc.		2355630
MCO 110 PRO	K110	1 - 9999	Over pressure system	Over pressure system	1 pc.		2355630
			Motor			<b>Engine manufacturer   Exhaust emission standard   Additional info   First service   Replacement interval</b> Scania   EU Stage 3a   Standard/hot weather set   500 h   2000 h	2532465
			Motor			<b>Engine manufacturer   Exhaust emission standard   Additional info   Replacement interval</b> Scania   EU Stage 3a   Standard/hot weather set   500 h	2532466
			Motor			<b>Engine manufacturer   Exhaust emission standard   Additional info   First service   Replacement interval</b> Scania   EU Stage 3a, LRC   Cold weather set   500 h   2000 h	2562258
			Hydraulics			<b>Replacement interval</b> 1000 h	2533780



FILTER SETS							
Series code	Serial code	Series range	Type	Application	Requirement	Motor	Part no.
MCO 110 PRO	K110	1 - 9999	Motor			<b>Engine manufacturer   Exhaust emission standard   Additional info   Replacement interval</b> Scania   EU Stage 3a, LRC   Cold weather set   500 h	2562256
			Hydraulics			<b>First service   Replacement interval</b> 500 h   2000 h	2533774
MCO 110i PRO	K111	1 - 9999	Hydraulics			<b>First service   Replacement interval</b> 500 h   2000 h	2533774
			Hydraulics			<b>Replacement interval</b> 1000 h	2533780
			Over pressure system	Over pressure system	1 pc.		2355630
		Motor			<b>Engine manufacturer   Exhaust emission standard   Replacement interval</b> Scania   US EPA Tier 4f   500 h	2562262	
		Motor			<b>Engine manufacturer   Exhaust emission standard   First service</b> Scania   US EPA Tier 4f   500 h	2562261	
		8 - 9999	Motor	Motor	1 pc.	<b>Engine manufacturer   Engine type   Exhaust emission standard</b> Scania   DC13   STAGE V	2870407
MCO 130 PRO	K042	1 - 200	Motor			<b>Engine manufacturer   Exhaust emission standard   Replacement interval</b> Scania   EU Stage 3a   500 h	2270765
			Motor			<b>Engine manufacturer   Exhaust emission standard   First service   Replacement interval</b> Scania   EU Stage 3a   500 h   2000 h	2270766
		1 - 9999	Motor			<b>Engine manufacturer   Exhaust emission standard   First service   Replacement interval</b> Scania   EU Stage 2, LRC   400 h   2000 h	2270760

Due to possible technical changes, always refer to the information in the instruction manual.

# MAINTENANCE PARTS

FILTER SETS							
Series code	Serial code	Series range	Type	Application	Requirement	Motor	Part no.
MCO 130 PRO	K042	1 - 9999	Motor			<b>Engine manufacturer   Exhaust emission standard   Replacement interval</b> CAT   US EPA Tier 3   250 h	2270771
			Motor			<b>Engine manufacturer   Exhaust emission standard   Replacement interval</b> Scania   EU Stage 2, LRC   400 h	2270758
			Hydraulics			<b>First service   Replacement interval</b> 500 h   1000 h	F10615349
			Motor			<b>Engine manufacturer   Exhaust emission standard   First service   Replacement interval</b> CAT   US EPA Tier 3   250 h   3000 h	2270772
		201 - 9999	Motor			<b>Engine manufacturer   Exhaust emission standard   Replacement interval</b> Scania   EU Stage 3a   500 h	2362830
			Motor			<b>Engine manufacturer   Exhaust emission standard   First service   Replacement interval</b> Scania   EU Stage 3a   500 h   2000 h	2362836
MR 100 R	K012	1 - 9999	Hydraulics			<b>First service   Replacement interval</b> 500 h   1000 h	F10615379
			Motor			<b>Engine manufacturer   Exhaust emission standard   First service   Replacement interval</b> Scania   EU Stage 2a   400 h   2000 h	2270756
			Motor			<b>Engine manufacturer   Exhaust emission standard   Replacement interval</b> Scania   EU Stage 2a   400 h	2270755



FILTER SETS							
Series code	Serial code	Series range	Type	Application	Requirement	Motor	Part no.
MR 100 Z	K013	1 - 9999	Hydraulics			<b>First service   Replacement interval</b> 500 h   1000 h	F10615379
			Motor			<b>Engine manufacturer   Exhaust emission standard   First service   Replacement interval</b> Scania   EU Stage 2a   400 h   2000 h	2270756
			Motor			<b>Engine manufacturer   Exhaust emission standard   Replacement interval</b> Scania   EU Stage 2a   400 h	2270755
MR 110 R EVO	K016	1 - 9999	Hydraulics			<b>First service   Replacement interval</b> 500 h   1000 h	F10625559
			Motor			<b>Engine manufacturer   Exhaust emission standard   Replacement interval</b> Scania   EU Stage 2a   400 h	2270755
			Motor			<b>Engine manufacturer   Exhaust emission standard   First service   Replacement interval</b> Scania   EU Stage 2a   400 h   2000 h	2270756
			Motor			<b>Engine manufacturer   Exhaust emission standard   First service   Replacement interval</b> CAT   US EPA Tier 3   250 h   3000 h	2270782
			Motor			<b>Engine manufacturer   Exhaust emission standard   First service   Replacement interval</b> Scania   EU Stage 3a, LRC   500 h   2000 h	2270764
			Motor			<b>Engine manufacturer   Exhaust emission standard   Replacement interval</b> CAT   US EPA Tier 3   250 h	2270780

# MAINTENANCE PARTS

FILTER SETS							
Series code	Serial code	Series range	Type	Application	Requirement	Motor	Part no.
MR 110 R EVO	K016	1 - 9999	Motor			<b>Engine manufacturer   Exhaust emission standard   Replacement interval</b> Scania   EU Stage 3a, LRC   500 h	2270763
MR 110 Z EVO	K017	1 - 9999	Hydraulics			<b>First service   Replacement interval</b> 500 h   1000 h	F10625559
			Motor			<b>Engine manufacturer   Exhaust emission standard   Replacement interval</b> Scania   EU Stage 2a   400 h	2270755
			Motor			<b>Engine manufacturer   Exhaust emission standard   First service   Replacement interval</b> Scania   EU Stage 2a   400 h   2000 h	2270756
			Motor			<b>Engine manufacturer   Exhaust emission standard   First service   Replacement interval</b> CAT   US EPA Tier 3   250 h   3000 h	2270782
			Motor			<b>Engine manufacturer   Exhaust emission standard   First service   Replacement interval</b> Scania   EU Stage 3a, LRC   500 h   2000 h	2270764
			Motor			<b>Engine manufacturer   Exhaust emission standard   Replacement interval</b> CAT   US EPA Tier 3   250 h	2270780
			Motor			<b>Engine manufacturer   Exhaust emission standard   Replacement interval</b> Scania   EU Stage 3a, LRC   500 h	2270763
MR 110 EVO2	K018	1 - 9999	Over pressure system	Over pressure system	1 pc.		2355630



FILTER SETS							
Series code	Serial code	Series range	Type	Application	Requirement	Motor	Part no.
MR 110 EVO2	K018	1 - 9999	Motor			<b>Engine manufacturer   Exhaust emission standard   Replacement interval</b> Scania   EU Stage 3a   500 h	2270763
			Motor			<b>Engine manufacturer   Exhaust emission standard   First service   Replacement interval</b> Scania   EU Stage 3a   500 h   2000 h	2270764
			Hydraulics			<b>Replacement interval</b> 1000 h	2582725
			Motor			<b>Engine manufacturer   Exhaust emission standard   Replacement interval</b> Scania   LRC   500 h	2403244
			Motor			<b>Engine manufacturer   Exhaust emission standard   First service   Replacement interval</b> Scania   LRC   500 h   2000 h	2403248
			Hydraulics			<b>First service   Replacement interval</b> 500 h   2000 h	2378001
MR 110 i EVO2	K019	1 - 9999	Over pressure system	Over pressure system	1 pc.		2355630
			Hydraulics			<b>First service   Replacement interval</b> 500 h   2000 h	2378001
			Motor			<b>Engine manufacturer   Exhaust emission standard   Replacement interval</b> Scania   US EPA Tier 4f   500 h	2379004
			Motor			<b>Engine manufacturer   Exhaust emission standard   First service   Replacement interval</b> Scania   US EPA Tier 4f   500 h   2000 h	2382642
			Hydraulics			<b>Replacement interval</b> 1000 h	2582725

# MAINTENANCE PARTS

FILTER SETS							
Series code	Serial code	Series range	Type	Application	Requirement	Motor	Part no.
MR 110 i EVO2	K019	86 - 9999	Motor	Motor	1 pc.	<b>Engine manufacturer   Engine type   Exhaust emission standard</b> Scania   DC13   STAGE V	2870407
MR 122i PRO	K031	5 - 9999	Motor	Motor	1 pc.	<b>Engine manufacturer   Engine type   Exhaust emission standard</b> Scania   DC13   STAGE V	2870407
MR 122 PRO	K062	1 - 9999	Motor			<b>Engine manufacturer   Exhaust emission standard   Replacement interval</b> Scania   LRC   500 h	2403244
			Motor			<b>Engine manufacturer   Exhaust emission standard   First service   Replacement interval</b> Scania   LRC   500 h   2000 h	2403248
			Motor			<b>Engine manufacturer   Exhaust emission standard   Replacement interval</b> Scania   EU Stage 2a   400 h	2270755
			Motor			<b>Engine manufacturer   Exhaust emission standard   First service   Replacement interval</b> Scania   EU Stage 2a   400 h   2000 h	2270756
			Motor			<b>Engine manufacturer   Exhaust emission standard   Replacement interval</b> Scania   EU Stage 3a   500 h	2270763
			Motor			<b>Engine manufacturer   Exhaust emission standard   First service   Replacement interval</b> Scania   EU Stage 3a   500 h   2000 h	2270764
			Motor			<b>Engine manufacturer   Exhaust emission standard   Replacement interval</b> CAT   US EPA Tier 3   250 h	2270771





FILTER SETS							
Series code	Serial code	Series range	Type	Application	Requirement	Motor	Part no.
MR 122 PRO	K062	1 - 9999	Motor			<b>Engine manufacturer   Exhaust emission standard   First service   Replacement interval</b> CAT   US EPA Tier 3   250 h   2000 h	2270772
			Hydraulics			<b>First service   Replacement interval</b> 500 h   1000 h	F10615349
MR 130 R	K023	1 - 199	Hydraulics	Direct drive		<b>First service   Replacement interval</b> 500 h   1000 h	F10615349
			Hydraulics	Hydraulic drive		<b>First service   Replacement interval</b> 500 h   1000 h	F10615389
			Motor			<b>Engine manufacturer   Exhaust emission standard   Replacement interval</b> Scania   EU Stage 2a   400 h	2270755
			Motor			<b>Engine manufacturer   Exhaust emission standard   First service   Replacement interval</b> CAT   US EPA Tier 3   250 h   3000 h	2270772
			Motor			<b>Engine manufacturer   Exhaust emission standard   Replacement interval</b> Scania   EU Stage 3a, LRC   500 h	2270763
			Motor			<b>Engine manufacturer   Exhaust emission standard   First service   Replacement interval</b> Scania   EU Stage 3a, LRC   500 h   2000 h	2270764
			Motor			<b>Engine manufacturer   Exhaust emission standard   Replacement interval</b> CAT   US EPA Tier 3   250 h	2270771

# MAINTENANCE PARTS

FILTER SETS							
Series code	Serial code	Series range	Type	Application	Requirement	Motor	Part no.
MR 130 R	K023	1 - 199	Motor			<b>Engine manufacturer   Exhaust emission standard   First service   Replacement interval</b> Scania   EU Stage 2a   400 h   2000 h	2270756
MR 130 R EVO	K023	200 - 9999	Hydraulics			<b>First service   Replacement interval</b> 500 h   1000 h	F10625559
			Motor			<b>Engine manufacturer   Exhaust emission standard   Replacement interval</b> Scania   EU Stage 2a   400 h	2270755
			Motor			<b>Engine manufacturer   Exhaust emission standard   First service   Replacement interval</b> Scania   EU Stage 2a   400 h   2000 h	2270756
			Motor			<b>Engine manufacturer   Exhaust emission standard   First service   Replacement interval</b> CAT   US EPA Tier 3   250 h   3000 h	2270772
			Motor			<b>Engine manufacturer   Exhaust emission standard   First service   Replacement interval</b> Scania   EU Stage 3a, LRC   500 h   2000 h	2270764
			Motor			<b>Engine manufacturer   Exhaust emission standard   Replacement interval</b> CAT   US EPA Tier 3   250 h	2270771
			Motor			<b>Engine manufacturer   Exhaust emission standard   Replacement interval</b> Scania   EU Stage 3a, LRC   500 h	2270763
MR 130 Z	K024	1 - 299	Hydraulics	Direct drive		<b>First service   Replacement interval</b> 500 h   1000 h	F10615349



FILTER SETS							
Series code	Serial code	Series range	Type	Application	Requirement	Motor	Part no.
MR 130 Z	K024	1 - 299	Hydraulics	Hydraulic drive		<b>First service   Replacement interval</b> 500 h   1000 h	F10615389
			Motor			<b>Engine manufacturer   Exhaust emission standard   Replacement interval</b> Scania   EU Stage 2a   400 h	2270755
			Motor			<b>Engine manufacturer   Exhaust emission standard   First service   Replacement interval</b> CAT   US EPA Tier 3   250 h   3000 h	2270772
			Motor			<b>Engine manufacturer   Exhaust emission standard   Replacement interval</b> Scania   EU Stage 3a, LRC   500 h	2270763
			Motor			<b>Engine manufacturer   Exhaust emission standard   First service   Replacement interval</b> Scania   EU Stage 3a, LRC   500 h   2000 h	2270764
			Motor			<b>Engine manufacturer   Exhaust emission standard   Replacement interval</b> CAT   US EPA Tier 3   250 h	2270771
			Motor			<b>Engine manufacturer   Exhaust emission standard   First service   Replacement interval</b> Scania   EU Stage 2a   400 h   2000 h	2270756
MR 130 Z EVO	K024	301 - 9999	Hydraulics			<b>First service   Replacement interval</b> 500 h   1000 h	F10625559
			Motor			<b>Engine manufacturer   Exhaust emission standard   Replacement interval</b> Scania   EU Stage 2a   400 h	2270755

# MAINTENANCE PARTS

FILTER SETS							
Series code	Serial code	Series range	Type	Application	Requirement	Motor	Part no.
MR 130 Z EVO	K024	301 - 9999	Motor			<b>Engine manufacturer   Exhaust emission standard   First service   Replacement interval</b> Scania   EU Stage 2a   400 h   2000 h	2270756
			Motor			<b>Engine manufacturer   Exhaust emission standard   First service   Replacement interval</b> CAT   US EPA Tier 3   250 h   3000 h	2270772
			Motor			<b>Engine manufacturer   Exhaust emission standard   First service   Replacement interval</b> Scania   EU Stage 3a, LRC   500 h   2000 h	2270764
			Motor			<b>Engine manufacturer   Exhaust emission standard   Replacement interval</b> CAT   US EPA Tier 3   250 h	2270771
			Motor			<b>Engine manufacturer   Exhaust emission standard   Replacement interval</b> Scania   EU Stage 3a, LRC   500 h	2270763
MR 130 EVO2	K077	1 - 9999	Motor			<b>Engine manufacturer   Exhaust emission standard   Replacement interval</b> Scania   EU Stage 3a   500 h	2270763
			Motor			<b>Engine manufacturer   Exhaust emission standard   First service   Replacement interval</b> Scania   EU Stage 3a   500 h   2000 h	2270764
			Hydraulics			<b>First service   Replacement interval</b> 500 h   2000 h	2378001
			Over pressure system	Over pressure system	1 pc.		2355630



FILTER SETS							
Series code	Serial code	Series range	Type	Application	Requirement	Motor	Part no.
MR 130 EVO2	K077	1 - 9999	Motor			<b>Engine manufacturer   Exhaust emission standard   First service   Replacement interval</b> Scania   LRC   500 h   2000 h	2403248
			Hydraulics			<b>Replacement interval</b> 1000 h	2582725
			Motor			<b>Engine manufacturer   Exhaust emission standard   Replacement interval</b> Scania   LRC   500 h	2403244
MR 130i EVO2	K078	1 - 9999	Hydraulics			<b>First service   Replacement interval</b> 500 h   2000 h	2378001
			Motor			<b>Engine manufacturer   Exhaust emission standard   Replacement interval</b> Scania   US EPA Tier 4f   500 h	2379004
			Over pressure system	Over pressure system	1 pc.		2355630
			Hydraulics			<b>Replacement interval</b> 1000 h	2582725
		Motor			<b>Engine manufacturer   Exhaust emission standard   First service   Replacement interval</b> Scania   US EPA Tier 4f   500 h   2000 h	2382642	
		102 - 9999	Motor	Motor	1 pc.	<b>Engine manufacturer   Engine type   Exhaust emission standard</b> Scania   DC13   STAGE V	2870407
MSS 352 EVO	K067	1 - 9999	Hydraulics		2 pc.	<b>Replacement interval</b> 2500 h	M10020520
			Hydraulics		1 pc.	<b>Replacement interval</b> 2500 h	M10020528
			Hydraulics		1 pc.	<b>Replacement interval</b> 1000 h	M10020534
			Hydraulics		1 pc.	<b>First service   Replacement interval</b> 50 h   1000 h	M10022051



# MAINTENANCE PARTS

FILTER SETS							
Series code	Serial code	Series range	Type	Application	Requirement	Motor	Part no.
MSS 352 EVO	K067	1 - 9999	Motor			<b>Engine manufacturer   Engine type   Engine code   Engine power   Exhaust emission standard   First service   Replacement interval</b> CAT   4.4   444   95 kW   US EPA Tier 3   250 h   250 h	2226637
			Motor			<b>Engine manufacturer   Engine power   Exhaust emission standard   First service   Replacement interval</b> JCB   63 kW   US EPA Tier 3   250 h   250 h	2226638
			Motor			<b>Engine manufacturer   Engine type   Engine code   Engine power   Exhaust emission standard   First service   Replacement interval</b> CAT   4.4   W23   95 kW   US EPA Tier 3 (fixed speed)   250 h   250 h	2586324
			Motor			<b>Engine manufacturer   Engine type   Engine code   Engine power   Exhaust emission standard   First service   Replacement interval</b> CAT   4.4   448   95 kW   US EPA Tier 4i   250 h   250 h; CAT   4.4   JKT   95 kW   US EPA Tier 4f   250 h   250 h	2512756
			Motor			<b>Engine manufacturer   Engine type   Engine code   Engine power   Exhaust emission standard   First service   Replacement interval</b> CAT   4.4   448   75 kW   US EPA Tier 4i   250 h   250 h; CAT   4.4   JKT   75 kW   US EPA Tier 4f   250 h   250 h	2512757



FILTER SETS							
Series code	Serial code	Series range	Type	Application	Requirement	Motor	Part no.
MSS 352 EVO	K067	1 - 9999	Motor			<b>Engine manufacturer   Engine type   Engine code   Engine power   Exhaust emission standard   Replacement interval</b> CAT   4.4   448   95 kW   US EPA Tier 4i   1500 h	2579332
			Motor			<b>Engine manufacturer   Engine type   Engine code   Engine power   Exhaust emission standard   Replacement interval</b> CAT   4.4   JKT   95 kW   US EPA Tier 4f   1500 h	2579518
			Motor			<b>Engine manufacturer   Engine type   Engine code   Engine power   Exhaust emission standard   Replacement interval</b> CAT   4.4   448   75 kW   US EPA Tier 4i   1500 h	2579520
			Motor			<b>Engine manufacturer   Engine type   Engine code   Engine power   Exhaust emission standard   Replacement interval</b> CAT   4.4   JKT   75 kW   US EPA Tier 4f   1500 h	2579521
			Motor			<b>Engine manufacturer   Engine type   Engine code   Engine power   Exhaust emission standard   First service   Replacement interval</b> CAT   4.4   444   75 kW   US EPA Tier 3   250 h   250 h	2304910
MSS 502 EVO	K066	1 - 9999	Motor			<b>Engine manufacturer   Engine type   Engine code   Engine power   Exhaust emission standard   Replacement interval</b> CAT   4.4   448   95 kW   US EPA Tier 4i   1500 h	2579332

# MAINTENANCE PARTS

FILTER SETS							
Series code	Serial code	Series range	Type	Application	Requirement	Motor	Part no.
MSS 502 EVO	K066	1 - 9999	Motor			<b>Engine manufacturer   Engine type   Engine code   Engine power   Exhaust emission standard   Replacement interval</b> CAT   4.4   JKT   95 kW   US EPA Tier 4f   1500 h	2579518
			Motor			<b>Engine manufacturer   Engine type   Engine code   Engine power   Exhaust emission standard   Replacement interval</b> CAT   4.4   448   75 kW   US EPA Tier 4i   1500 h	2579520
			Motor			<b>Engine manufacturer   Engine type   Engine code   Engine power   Exhaust emission standard   Replacement interval</b> CAT   4.4   JKT   75 kW   US EPA Tier 4f   1500 h	2579521
			Motor			<b>Engine manufacturer   Engine type   Engine code   Engine power   Exhaust emission standard   First service   Replacement interval</b> CAT   4.4   W23   95 kW   US EPA Tier 3 (fixed speed)   250 h   250 h	2586324
			Hydraulics		1 pc.	<b>Replacement interval</b> 1000 h	M10020534
			Hydraulics		1 pc.	<b>Replacement interval</b> 2500 h	M10020528
			Motor			<b>Engine manufacturer   Engine type   Engine code   Engine power   Exhaust emission standard   First service   Replacement interval</b> CAT   4.4   444   95 kW   US EPA Tier 3   250 h   250 h	2226637





FILTER SETS							
Series code	Serial code	Series range	Type	Application	Requirement	Motor	Part no.
MSS 502 EVO	K066	1 - 9999	Motor			<b>Engine manufacturer   Engine type   Engine code   Engine power   Exhaust emission standard   First service   Replacement interval</b> CAT   4.4   444   75 kW   US EPA Tier 3   250 h   250 h	2304910
			Motor			<b>Engine manufacturer   Engine type   Engine code   Engine power   Exhaust emission standard   First service   Replacement interval</b> CAT   4.4   448   95 kW   US EPA Tier 4i   250 h   250 h; CAT   4.4   JKT   95 kW   US EPA Tier 4f   250 h   250 h	2512756
			Motor			<b>Engine manufacturer   Engine type   Engine code   Engine power   Exhaust emission standard   First service   Replacement interval</b> CAT   4.4   448   75 kW   US EPA Tier 4i   250 h   250 h; CAT   4.4   JKT   75 kW   US EPA Tier 4f   250 h   250 h	2512757
			Hydraulics		2 pc.	<b>Replacement interval</b> 2500 h	M10020520
			Hydraulics		1 pc.	<b>First service   Replacement interval</b> 50 h   1000 h	M10022051
MS 14 Z	K068	1 - 9999	Hydraulics		2 pc.	<b>Replacement interval</b> 2500 h	M10020520
			Hydraulics		1 pc.	<b>Replacement interval</b> 2500 h	M10020528
			Hydraulics		1 pc.	<b>Replacement interval</b> 1000 h	M10020534
			Hydraulics		1 pc.	<b>First service   Replacement interval</b> 50 h   1000 h	M10022051

# MAINTENANCE PARTS

FILTER SETS							
Series code	Serial code	Series range	Type	Application	Requirement	Motor	Part no.
MS 14 Z	K068	1 - 9999	Motor			<b>Engine manufacturer   Engine type   Engine code   Engine power   Exhaust emission standard   First service   Replacement interval</b> CAT   4.4   444   95 kW   US EPA Tier 3   250 h   250 h	2226637
			Motor			<b>Engine manufacturer   Engine power   Exhaust emission standard   First service   Replacement interval</b> JCB   63 kW   US EPA Tier 3   250 h   250 h	2226638
			Motor			<b>Engine manufacturer   Engine type   Engine code   Engine power   Exhaust emission standard   First service   Replacement interval</b> CAT   4.4   W23   95 kW   US EPA Tier 3 (fixed speed)   250 h   250 h	2586324
			Motor			<b>Engine manufacturer   Engine type   Engine code   Engine power   Exhaust emission standard   First service   Replacement interval</b> CAT   4.4   448   95 kW   US EPA Tier 4i   250 h   250 h; CAT   4.4   JKT   95 kW   US EPA Tier 4f   250 h   250 h	2512756
			Motor			<b>Engine manufacturer   Engine type   Engine code   Engine power   Exhaust emission standard   First service   Replacement interval</b> CAT   4.4   448   75 kW   US EPA Tier 4i   250 h   250 h; CAT   4.4   JKT   75 kW   US EPA Tier 4f   250 h   250 h	2512757



FILTER SETS							
Series code	Serial code	Series range	Type	Application	Requirement	Motor	Part no.
MS 14 Z	K068	1 - 9999	Motor			<b>Engine manufacturer   Engine type   Engine code   Engine power   Exhaust emission standard   Replacement interval</b> CAT   4.4   448   95 kW   US EPA Tier 4i   1500 h	2579332
			Motor			<b>Engine manufacturer   Engine type   Engine code   Engine power   Exhaust emission standard   Replacement interval</b> CAT   4.4   JKT   95 kW   US EPA Tier 4f   1500 h	2579518
			Motor			<b>Engine manufacturer   Engine type   Engine code   Engine power   Exhaust emission standard   Replacement interval</b> CAT   4.4   448   75 kW   US EPA Tier 4i   1500 h	2579520
			Motor			<b>Engine manufacturer   Engine type   Engine code   Engine power   Exhaust emission standard   Replacement interval</b> CAT   4.4   JKT   75 kW   US EPA Tier 4f   1500 h	2579521
			Motor			<b>Engine manufacturer   Engine type   Engine code   Engine power   Exhaust emission standard   First service   Replacement interval</b> CAT   4.4   444   75 kW   US EPA Tier 3   250 h   250 h	2304910
MS 15 Z-AD	K047	1 - 9999	Hydraulics		2 pc.	<b>Replacement interval</b> 2500 h	M10020520
			Hydraulics		1 pc.	<b>Replacement interval</b> 2500 h	M10020528
			Hydraulics		1 pc.	<b>Replacement interval</b> 1000 h	M10020534
			Hydraulics		1 pc.	<b>First service   Replacement interval</b> 50 h   1000 h	M10022051

Due to possible technical changes, always refer to the information in the instruction manual.

# MAINTENANCE PARTS

FILTER SETS							
Series code	Serial code	Series range	Type	Application	Requirement	Motor	Part no.
MS 15 Z-AD	K047	1 - 9999	Motor			<b>Engine manufacturer   Engine type   Exhaust emission standard   First service   Replacement interval</b> CAT   3054   US EPA Tier 3   250 h   250 h	2226635
			Motor			<b>Engine manufacturer   Engine type   Engine code   Engine power   Exhaust emission standard   First service   Replacement interval</b> CAT   4.4   W23   95 kW   US EPA Tier 3 (fixed speed)   250 h   250 h	2586324
			Motor			<b>Engine manufacturer   Engine type   Engine code   Engine power   Exhaust emission standard   First service   Replacement interval</b> CAT   4.4   444   75 kW   US EPA Tier 3   250 h   250 h	2304910
			Motor			<b>Engine manufacturer   Engine type   Engine code   Engine power   Exhaust emission standard   First service   Replacement interval</b> CAT   4.4   448   95 kW   US EPA Tier 4i   250 h   250 h; CAT   4.4   JKT   95 kW   US EPA Tier 4f   250 h   250 h	2512756
			Motor			<b>Engine manufacturer   Engine type   Engine code   Engine power   Exhaust emission standard   Replacement interval</b> CAT   4.4   448   95 kW   US EPA Tier 4i   1500 h	2579332



FILTER SETS							
Series code	Serial code	Series range	Type	Application	Requirement	Motor	Part no.
MS 15 Z-AD	K047	1 - 9999	Motor			<b>Engine manufacturer   Engine type   Engine code   Engine power   Exhaust emission standard   Replacement interval</b> CAT   4.4   JKT   95 kW   US EPA Tier 4f   1500 h	2579518
			Motor			<b>Engine manufacturer   Engine type   Engine code   Engine power   Exhaust emission standard   First service   Replacement interval</b> CAT   4.4   444   95 kW   US EPA Tier 3   250 h   250 h	2226637
MS 16 Z	K048	1 - 9999	Hydraulics		2 pc.	<b>Replacement interval</b> 2500 h	M10020520
			Hydraulics		1 pc.	<b>Replacement interval</b> 2500 h	M10020528
			Hydraulics		1 pc.	<b>Replacement interval</b> 1000 h	M10020534
			Hydraulics		1 pc.	<b>First service   Replacement interval</b> 50 h   1000 h	M10022051
			Motor			<b>Engine manufacturer   Engine type   Exhaust emission standard   First service   Replacement interval</b> CAT   3054   US EPA Tier 3   250 h   250 h	2226635
			Motor			<b>Engine manufacturer   Engine type   Engine code   Engine power   Exhaust emission standard   First service   Replacement interval</b> CAT   4.4   444   95 kW   US EPA Tier 3   250 h   250 h	2226637

# MAINTENANCE PARTS

FILTER SETS							
Series code	Serial code	Series range	Type	Application	Requirement	Motor	Part no.
MS 16 Z	K048	1 - 9999	Motor			<b>Engine manufacturer   Engine type   Engine code   Engine power   Exhaust emission standard   First service   Replacement interval</b> CAT   4.4   W23   95 kW   US EPA Tier 3 (fixed speed)   250 h   250 h	2586324
			Motor			<b>Engine manufacturer   Engine type   Engine code   Engine power   Exhaust emission standard   First service   Replacement interval</b> CAT   4.4   448   95 kW   US EPA Tier 4i   250 h   250 h; CAT   4.4   JKT   95 kW   US EPA Tier 4f   250 h   250 h	2512756
			Motor			<b>Engine manufacturer   Engine type   Engine code   Engine power   Exhaust emission standard   First service   Replacement interval</b> CAT   4.4   448   75 kW   US EPA Tier 4i   250 h   250 h; CAT   4.4   JKT   75 kW   US EPA Tier 4f   250 h   250 h	2512757
			Motor			<b>Engine manufacturer   Engine type   Engine code   Engine power   Exhaust emission standard   Replacement interval</b> CAT   4.4   448   95 kW   US EPA Tier 4i   1500 h	2579332
			Motor			<b>Engine manufacturer   Engine type   Engine code   Engine power   Exhaust emission standard   Replacement interval</b> CAT   4.4   JKT   95 kW   US EPA Tier 4f   1500 h	2579518



FILTER SETS							
Series code	Serial code	Series range	Type	Application	Requirement	Motor	Part no.
MS 16 Z	K048	1 - 9999	Motor			<b>Engine manufacturer   Engine type   Engine code   Engine power   Exhaust emission standard   Replacement interval</b> CAT   4.4   448   75 kW   US EPA Tier 4i   1500 h	2579520
			Motor			<b>Engine manufacturer   Engine type   Engine code   Engine power   Exhaust emission standard   Replacement interval</b> CAT   4.4   JKT   75 kW   US EPA Tier 4f   1500 h	2579521
			Motor			<b>Engine manufacturer   Engine type   Engine code   Engine power   Exhaust emission standard   First service   Replacement interval</b> CAT   4.4   444   75 kW   US EPA Tier 3   250 h   250 h	2304910
MS 16 D	K049	1 - 9999	Hydraulics		2 pc.	<b>Replacement interval</b> 2500 h	M10020520
			Hydraulics		1 pc.	<b>Replacement interval</b> 2500 h	M10020528
			Hydraulics		1 pc.	<b>Replacement interval</b> 1000 h	M10020534
			Hydraulics		1 pc.	<b>First service   Replacement interval</b> 50 h   1000 h	M10022051
			Motor			<b>Engine manufacturer   Engine type   Exhaust emission standard   First service   Replacement interval</b> CAT   3054   US EPA Tier 3   250 h   250 h	2226635

# MAINTENANCE PARTS

FILTER SETS							
Series code	Serial code	Series range	Type	Application	Requirement	Motor	Part no.
MS 16 D	K049	1 - 9999	Motor			<b>Engine manufacturer   Engine type   Engine code   Engine power   Exhaust emission standard   First service   Replacement interval</b> CAT   4.4   444   95 kW   US EPA Tier 3   250 h   250 h	2226637
			Motor			<b>Engine manufacturer   Engine type   Engine code   Engine power   Exhaust emission standard   First service   Replacement interval</b> CAT   4.4   W23   95 kW   US EPA Tier 3 (fixed speed)   250 h   250 h	2586324
			Motor			<b>Engine manufacturer   Engine type   Engine code   Engine power   Exhaust emission standard   First service   Replacement interval</b> CAT   4.4   448   95 kW   US EPA Tier 4i   250 h   250 h; CAT   4.4   JKT   95 kW   US EPA Tier 4f   250 h   250 h	2512756
			Motor			<b>Engine manufacturer   Engine type   Engine code   Engine power   Exhaust emission standard   First service   Replacement interval</b> CAT   4.4   448   75 kW   US EPA Tier 4i   250 h   250 h; CAT   4.4   JKT   75 kW   US EPA Tier 4f   250 h   250 h	2512757
			Motor			<b>Engine manufacturer   Engine type   Engine code   Engine power   Exhaust emission standard   Replacement interval</b> CAT   4.4   448   95 kW   US EPA Tier 4i   1500 h	2579332





FILTER SETS							
Series code	Serial code	Series range	Type	Application	Requirement	Motor	Part no.
MS 16 D	K049	1 - 9999	Motor			<b>Engine manufacturer   Engine type   Engine code   Engine power   Exhaust emission standard   Replacement interval</b> CAT   4.4   JKT   95 kW   US EPA Tier 4f   1500 h	2579518
			Motor			<b>Engine manufacturer   Engine type   Engine code   Engine power   Exhaust emission standard   Replacement interval</b> CAT   4.4   448   75 kW   US EPA Tier 4i   1500 h	2579520
			Motor			<b>Engine manufacturer   Engine type   Engine code   Engine power   Exhaust emission standard   Replacement interval</b> CAT   4.4   JKT   75 kW   US EPA Tier 4f   1500 h	2579521
			Motor			<b>Engine manufacturer   Engine type   Engine code   Engine power   Exhaust emission standard   First service   Replacement interval</b> CAT   4.4   444   75 kW   US EPA Tier 3   250 h   250 h	2304910
MS 19 Z	K054	1 - 9999	Hydraulics		2 pc.	<b>Replacement interval</b> 2500 h	M10020520
			Hydraulics		1 pc.	<b>Replacement interval</b> 2500 h	M10020528
			Hydraulics		1 pc.	<b>Replacement interval</b> 1000 h	M10020534
			Motor			<b>Engine manufacturer   Engine type   Engine code   Engine power   Exhaust emission standard   First service   Replacement interval</b> CAT   4.4   W23   95 kW   US EPA Tier 3 (fixed speed)   250 h   250 h	2586324



# MAINTENANCE PARTS

FILTER SETS							
Series code	Serial code	Series range	Type	Application	Requirement	Motor	Part no.
MS 19 Z	K054	1 - 9999	Motor			<b>Engine manufacturer   Engine type   Exhaust emission standard   First service   Replacement interval</b> CAT   3054   US EPA Tier 3   250 h   250 h	2226635
			Motor			<b>Engine manufacturer   Engine type   Engine code   Engine power   Exhaust emission standard   First service   Replacement interval</b> CAT   4.4   444   95 kW   US EPA Tier 3   250 h   250 h	2226637
			Motor			<b>Engine manufacturer   Engine type   Engine code   Engine power   Exhaust emission standard   First service   Replacement interval</b> CAT   4.4   448   95 kW   US EPA Tier 4i   250 h   250 h; CAT   4.4   JKT   95 kW   US EPA Tier 4f   250 h   250 h	2512756
			Hydraulics		1 pc.	<b>First service   Replacement interval</b> 50 h   1000 h	M10022051
MS 19 D	K055	1 - 9999	Hydraulics		2 pc.	<b>Replacement interval</b> 2500 h	M10020520
			Hydraulics		1 pc.	<b>Replacement interval</b> 2500 h	M10020528
			Hydraulics		1 pc.	<b>Replacement interval</b> 1000 h	M10020534
			Motor			<b>Engine manufacturer   Engine type   Engine code   Engine power   Exhaust emission standard   First service   Replacement interval</b> CAT   4.4   W23   95 kW   US EPA Tier 3 (fixed speed)   250 h   250 h	2586324



FILTER SETS							
Series code	Serial code	Series range	Type	Application	Requirement	Motor	Part no.
MS 19 D	K055	1 - 9999	Motor			<b>Engine manufacturer   Engine type   Exhaust emission standard   First service   Replacement interval</b> CAT   3054   US EPA Tier 3   250 h   250 h	2226635
			Motor			<b>Engine manufacturer   Engine type   Engine code   Engine power   Exhaust emission standard   First service   Replacement interval</b> CAT   4.4   444   95 kW   US EPA Tier 3   250 h   250 h	2226637
			Motor			<b>Engine manufacturer   Engine type   Engine code   Engine power   Exhaust emission standard   First service   Replacement interval</b> CAT   4.4   448   95 kW   US EPA Tier 4i   250 h   250 h; CAT   4.4   JKT   95 kW   US EPA Tier 4f   250 h   250 h	2512756
			Hydraulics		1 pc.	<b>First service   Replacement interval</b> 50 h   1000 h	M10022051
MSS 1102 PRO	K076	1 - 9999	Hydraulics		2 pc.	<b>Replacement interval</b> 2500 h	M10020520
			Hydraulics		1 pc.	<b>Replacement interval</b> 2500 h	M10020528
			Hydraulics		1 pc.	<b>Replacement interval</b> 1000 h	M10020534
			Hydraulics		1 pc.	<b>First service   Replacement interval</b> 50 h   1000 h	M10022051



# MAINTENANCE PARTS

FILTER SETS							
Series code	Serial code	Series range	Type	Application	Requirement	Motor	Part no.
MSS 1102 PRO	K076	1 - 9999	Motor			<b>Engine manufacturer   Engine type   Engine code   Engine power   Exhaust emission standard   First service   Replacement interval</b> CAT   7.1   G9R   206 kW   US EPA Tier 3 (fixed speed)   250 h   250 h	2586325
			Motor			<b>Engine manufacturer   Engine type   Engine code   Engine power   Exhaust emission standard   First service   Replacement interval</b> CAT   7.1   770   165 kW   US EPA Tier 4i   250 h   250 h; CAT   7.1   881   165 kW   US EPA Tier 4f   250 h   250 h	2512758
			Motor			<b>Engine manufacturer   Engine type   Engine code   Engine power   Exhaust emission standard   Replacement interval</b> CAT   7.1   770   165 kW   US EPA Tier 4i   1500 h	2582746
			Motor			<b>Engine manufacturer   Engine type   Engine code   Engine power   Exhaust emission standard   Replacement interval</b> CAT   7.1   881   165 kW   US EPA Tier 4f   1500 h	2582753
			Motor			<b>Engine manufacturer   Engine type   Engine code   Engine power   Exhaust emission standard   First service   Replacement interval</b> CAT   6.6   666, 667, PHO   165 kW   US EPA Tier 3   250 h   250 h	2325954
MSC 702 EVO	K083	1 - 15	Hydraulics			<b>First service   Replacement interval</b> 250 h   1000 h	2470325



FILTER SETS							
Series code	Serial code	Series range	Type	Application	Requirement	Motor	Part no.
MSC 702 EVO	K083	1 - 16	Motor			<b>Engine manufacturer   Exhaust emission standard   Additional info   Replacement interval</b> Deutz   EU Stage 3a   Standard/hot weather/ cold weather set   250 h	2564705
			Motor			<b>Engine manufacturer   Exhaust emission standard   Additional info   First service   Replacement interval</b> Deutz   EU Stage 3a   Standard/hot weather set   250 h   1000 h	2564715
			Motor			<b>Engine manufacturer   Exhaust emission standard   Additional info   First service   Replacement interval</b> Deutz   EU Stage 3a   Cold weather set   250 h   1000 h	2568419
		16 - 16	Hydraulics			<b>Additional info   First service   Replacement interval</b> incl. proportional valves   250 h   1000 h	2594581
		17 - 17	Hydraulics			<b>First service   Replacement interval</b> 250 h   1000 h	2470325
		17 - 9999	Motor			<b>Engine manufacturer   Exhaust emission standard   Additional info   Replacement interval</b> Deutz   EU Stage 3a   Standard/hot weather/ cold weather set   250 h	2565165
			Motor			<b>Engine manufacturer   Exhaust emission standard   Additional info   First service   Replacement interval</b> Deutz   EU Stage 3a   Standard/hot weather set   250 h   1000 h	2565167

# MAINTENANCE PARTS

FILTER SETS							
Series code	Serial code	Series range	Type	Application	Requirement	Motor	Part no.
MSC 702 EVO	K083	17 - 9999	Motor			<b>Engine manufacturer   Exhaust emission standard   Additional info   First service   Replacement interval</b> Deutz   EU Stage 3a   Cold weather set   250 h   1000 h	2568436
		18 - 9999	Hydraulics			<b>Additional info   First service   Replacement interval</b> incl. proportional valves   250 h   1000 h	2594581
MSC 703 EVO	K084	1 - 32	Motor			<b>Engine manufacturer   Exhaust emission standard   Additional info   First service</b> Deutz   EU Stage 3a   Standard/hot weather/ cold weather set   250 h	2564705
			Motor			<b>Engine manufacturer   Exhaust emission standard   Additional info   First service   Replacement interval</b> Deutz   EU Stage 3a   Standard/hot weather set   250 h   1000 h	2564715
		Motor			<b>Engine manufacturer   Exhaust emission standard   Additional info   First service   Replacement interval</b> Deutz   EU Stage 3a   Cold weather set   250 h   1000 h	2568419	
		1 - 34	Hydraulics			<b>First service   Replacement interval</b> 250 h   1000 h	2470325
		33 - 9999	Motor			<b>Engine manufacturer   Exhaust emission standard   Additional info   First service</b> Deutz   EU Stage 3a   Standard/hot weather/ cold weather set   250 h	2565165



FILTER SETS							
Series code	Serial code	Series range	Type	Application	Requirement	Motor	Part no.
MSC 703 EVO	K084	33 - 9999	Motor			<b>Engine manufacturer   Exhaust emission standard   Additional info   First service   Replacement interval</b> Deutz   EU Stage 3a   Standard/hot weather set   250 h   1000 h	2565167
			Motor			<b>Engine manufacturer   Exhaust emission standard   Additional info   First service   Replacement interval</b> Deutz   EU Stage 3a   Cold weather set   250 h   1000 h	2568436
		35 - 9999	Hydraulics			<b>Additional info   First service   Replacement interval</b> incl. proportional valves   250 h   1000 h	2594581
MSC 952 EVO	K085	1 - 15	Motor			<b>Engine manufacturer   Exhaust emission standard   Additional info   Replacement interval</b> Deutz   EU Stage 3a   Standard/hot weather/ cold weather set   250 h	2564705
			Motor			<b>Engine manufacturer   Exhaust emission standard   Additional info   First service   Replacement interval</b> Deutz   EU Stage 3a   Cold weather set   250 h   1000 h	2568419
			Motor			<b>Engine manufacturer   Exhaust emission standard   Additional info   First service   Replacement interval</b> Deutz   EU Stage 3a   Standard/hot weather set   250 h   1000 h	2564715
		1 - 16	Hydraulics			<b>First service   Replacement interval</b> 250 h   1000 h	2470325

# MAINTENANCE PARTS

FILTER SETS							
Series code	Serial code	Series range	Type	Application	Requirement	Motor	Part no.
MSC 952 EVO	K085	16 - 9999	Motor			<b>Engine manufacturer   Exhaust emission standard   Additional info   Replacement interval</b> Deutz   EU Stage 3a   Standard/hot weather/ cold weather set   250 h	2565165
			Motor			<b>Engine manufacturer   Exhaust emission standard   Additional info   First service   Replacement interval</b> Deutz   EU Stage 3a   Cold weather set   250 h   1000 h	2568436
			Motor			<b>Engine manufacturer   Exhaust emission standard   Additional info   First service   Replacement interval</b> Deutz   EU Stage 3a   Standard/hot weather set   250 h   1000 h	2565167
		17 - 9999	Hydraulics			<b>Additional info   First service   Replacement interval</b> incl. proportional valves   250 h   1000 h	2594581
MSC 953 EVO	K086	1 - 41	Hydraulics			<b>First service   Replacement interval</b> 250 h   1000 h	2470325
			Motor			<b>Engine manufacturer   Exhaust emission standard   Additional info   First service   Replacement interval</b> Deutz   EU Stage 3a   Cold weather set   250 h   1000 h	2568419
			Motor			<b>Engine manufacturer   Exhaust emission standard   Additional info   First service   Replacement interval</b> Deutz   EU Stage 3a   Standard/hot weather set   250 h   1000 h	2564715





FILTER SETS							
Series code	Serial code	Series range	Type	Application	Requirement	Motor	Part no.
MSC 953 EVO	K086	1 - 41	Motor			<b>Engine manufacturer   Exhaust emission standard   Additional info   Replacement interval</b> Deutz   EU Stage 3a   Standard/hot weather/ cold weather set   250 h	2564705
		42 - 43	Hydraulics			<b>Additional info   First service   Replacement interval</b> incl. proportional valves   250 h   1000 h	2594581
		42 - 9999	Motor			<b>Engine manufacturer   Exhaust emission standard   Additional info   Replacement interval</b> Deutz   EU Stage 3a   Standard/hot weather/ cold weather set   250 h	2565165
			Motor			<b>Engine manufacturer   Exhaust emission standard   Additional info   First service   Replacement interval</b> Deutz   EU Stage 3a   Cold weather set   250 h   1000 h	2568436
			Motor			<b>Engine manufacturer   Exhaust emission standard   Additional info   First service   Replacement interval</b> Deutz   EU Stage 3a   Standard/hot weather set   250 h   1000 h	2565167
		44 - 49	Hydraulics			<b>First service   Replacement interval</b> 250 h   1000 h	2470325
		50 - 9999	Hydraulics			<b>Additional info   First service   Replacement interval</b> incl. proportional valves   250 h   1000 h	2594581
MSC 702i EVO	K103	1 - 11	Hydraulics			<b>First service   Replacement interval</b> 250 h   1000 h	2470325

Due to possible technical changes, always refer to the information in the instruction manual.



# MAINTENANCE PARTS

FILTER SETS							
Series code	Serial code	Series range	Type	Application	Requirement	Motor	Part no.
MSC 702i EVO	K103	1 - 11	Motor			<b>Engine manufacturer   Exhaust emission standard   Additional info   Replacement interval</b> Deutz   US EPA Tier 4f   Standard/hot weather/ cold weather set   250 h	2547725
			Motor			<b>Engine manufacturer   Exhaust emission standard   Additional info   First service   Replacement interval</b> Deutz   US EPA Tier 4f   Standard/hot weather set   250 h   1000 h	2547726
			Motor			<b>Engine manufacturer   Exhaust emission standard   Additional info   First service   Replacement interval</b> Deutz   US EPA Tier 4f   Cold weather set   250 h   1000 h	2568414
		12 - 9999	Motor			<b>Engine manufacturer   Exhaust emission standard   Additional info   Replacement interval</b> Deutz   US EPA Tier 4f   Standard/hot weather/ cold weather set   250 h	2564707
			Motor			<b>Engine manufacturer   Exhaust emission standard   Additional info   First service   Replacement interval</b> Deutz   US EPA Tier 4f   Standard/hot weather set   250 h   1000 h	2564711
			Motor			<b>Engine manufacturer   Exhaust emission standard   Additional info   First service   Replacement interval</b> Deutz   US EPA Tier 4f   Cold weather set   250 h   1000 h	2568418



FILTER SETS							
Series code	Serial code	Series range	Type	Application	Requirement	Motor	Part no.
MSC 702i EVO	K103	12 - 9999	Hydraulics			<b>Additional info   First service   Replacement interval</b> incl. proportional valves   250 h   1000 h	2594581
MSC 703i EVO	K104	1 - 12	Hydraulics			<b>First service   Replacement interval</b> 250 h   1000 h	2470325
			Motor			<b>Engine manufacturer   Exhaust emission standard   Additional info   Replacement interval</b> Deutz   US EPA Tier 4f   Standard/hot weather/ cold weather set   250 h	2547725
			Motor			<b>Engine manufacturer   Exhaust emission standard   Additional info   First service   Replacement interval</b> Deutz   US EPA Tier 4f   Standard/hot weather set   250 h   1000 h	2547726
			Motor			<b>Engine manufacturer   Exhaust emission standard   Additional info   First service   Replacement interval</b> Deutz   US EPA Tier 4f   Cold weather set   250 h   1000 h	2568414
		13 - 9999	Motor			<b>Engine manufacturer   Exhaust emission standard   Additional info   Replacement interval</b> Deutz   US EPA Tier 4f   Standard/hot weather/ cold weather set   250 h	2564707
			Motor			<b>Engine manufacturer   Exhaust emission standard   Additional info   First service   Replacement interval</b> Deutz   US EPA Tier 4f   Standard/hot weather set   250 h   1000 h	2564711

# MAINTENANCE PARTS

FILTER SETS							
Series code	Serial code	Series range	Type	Application	Requirement	Motor	Part no.
MSC 703i EVO	K104	13 - 9999	Motor			<b>Engine manufacturer   Exhaust emission standard   Additional info   First service   Replacement interval</b> Deutz   US EPA Tier 4f   Cold weather set   250 h   1000 h	2568418
			Hydraulics			<b>Additional info   First service   Replacement interval</b> incl. proportional valves   250 h   1000 h	2594581
MSC 952i EVO	K105	1 - 11	Hydraulics			<b>First service   Replacement interval</b> 250 h   1000 h	2470325
			Motor			<b>Engine manufacturer   Exhaust emission standard   Additional info   Replacement interval</b> Deutz   US EPA Tier 4f   Standard/hot weather/ cold weather set   250 h	2547725
			Motor			<b>Engine manufacturer   Exhaust emission standard   Additional info   First service   Replacement interval</b> Deutz   US EPA Tier 4f   Standard/hot weather set   250 h   1000 h	2547726
		Motor			<b>Engine manufacturer   Exhaust emission standard   Additional info   First service   Replacement interval</b> Deutz   US EPA Tier 4f   Cold weather set   250 h   1000 h	2568414	
		12 - 9999	Motor			<b>Engine manufacturer   Exhaust emission standard   Additional info   First service   Replacement interval</b> Deutz   US EPA Tier 4f   Cold weather set   250 h   1000 h	2568418



FILTER SETS							
Series code	Serial code	Series range	Type	Application	Requirement	Motor	Part no.
MSC 952i EVO	K105	12 - 9999	Hydraulics			<b>Additional info   First service   Replacement interval</b> incl. proportional valves   250 h   1000 h	2594581
			Motor			<b>Engine manufacturer   Exhaust emission standard   Additional info   Replacement interval</b> Deutz   US EPA Tier 4f   Standard/hot weather/cold weather set   500 h	2660523
			Motor			<b>Engine manufacturer   Exhaust emission standard   Additional info   First service   Replacement interval</b> Deutz   US EPA Tier 4f   Standard/hot weather set   250 h   1000 h	2660526
MSC 953i EVO	K106	1 - 11	Hydraulics			<b>First service   Replacement interval</b> 250 h   1000 h	2470325
		1 - 13	Motor			<b>Engine manufacturer   Exhaust emission standard   Additional info   Replacement interval</b> Deutz   US EPA Tier 4f   Standard/hot weather/cold weather set   250 h	2547725
			Motor			<b>Engine manufacturer   Exhaust emission standard   Additional info   First service   Replacement interval</b> Deutz   US EPA Tier 4f   Standard/hot weather set   250 h   1000 h	2547726
			Motor			<b>Engine manufacturer   Exhaust emission standard   Additional info   First service   Replacement interval</b> Deutz   US EPA Tier 4f   Cold weather set   250 h   1000 h	2568414

# MAINTENANCE PARTS

FILTER SETS							
Series code	Serial code	Series range	Type	Application	Requirement	Motor	Part no.
MSC 953i EVO	K106	12 - 12	Hydraulics			<b>Additional info   First service   Replacement interval</b> incl. proportional valves   250 h   1000 h	2594581
		13 - 13	Hydraulics			<b>First service   Replacement interval</b> 250 h   1000 h	2470325
		14 - 9999	Motor			<b>Engine manufacturer   Exhaust emission standard   Additional info   First service   Replacement interval</b> Deutz   US EPA Tier 4f   Cold weather set   250 h   1000 h	2568418
			Hydraulics			<b>Additional info   First service   Replacement interval</b> incl. proportional valves   250 h   1000 h	2594581
			Motor			<b>Engine manufacturer   Exhaust emission standard   Additional info   Replacement interval</b> Deutz   US EPA Tier 4f   Standard/hot weather/ cold weather set   500 h	2660523
			Motor			<b>Engine manufacturer   Exhaust emission standard   Additional info   First service   Replacement interval</b> Deutz   US EPA Tier 4f   Standard/hot weather set   250 h   1000 h	2660526



## LUBRICANTS

Filling or lubricating your machine with a lubricant which is specifically matched to your application is critical for the service life of the operational parts in combustion engines, hydraulic components, gear units and bearings.

WIRTGEN GROUP lubricants meet these requirements perfectly and are optimised for your WIRTGEN GROUP machine.

The best choice for ensuring the effectiveness of your machine and reducing maintenance costs long-term!



> Read more online for WIRTGEN



> Read more online for VÖGELE



> Read more online for HAMM



> Read more online for KLEEMANN

GEAR OILS			
Part	Properties	Container	Part no.
Gear oil 85W-90	Mineral oil-based axle gear oil for WIRTGEN drive systems.  Do not use for WIRTGEN milling drum gearboxes (except 2500 SM, 4200 SM), HAMM vibratory bearings and drum drives or VÖGELE pump splitter gearboxes and drive systems.	5 l	2065030
		20 l	2065031
		208 l	2065032
High-performance gear oil PGLP 150	Exclusive fully synthetic gear oil tailored to high-performance use in WIRTGEN milling drum gearboxes. The high wettability of the lubricant ensures that the oil adheres well to gears and thus offers excellent wear protection. Do not use for HAMM vibratory bearings and drum drives.	5 l	2173019
		20 l	199752
		208 l	2120829
High-performance gear oil PGLP 220	Exclusive fully synthetic gear oil designed for high-performance use in WIRTGEN milling drum gearboxes as well as KLEEMANN conveyor and bevel gearboxes. The high wettability of the lubricant ensures that the oil adheres well to gears and thus offers excellent wear protection.  Do not use for HAMM vibratory bearings and drum drives.	5 l	2170074
		20 l	2065033
		208 l	2065034
High-performance gear oil PGLP 460	Exclusive fully synthetic gear oil tailored to high-performance use in WIRTGEN hot recyclers and in S-Pack binding agent metering units. The high wettability of the lubricant ensures that the oil adheres well to gears and thus offers excellent wear protection. Do not use for HAMM vibratory bearings and drum drives.	5 l	2461524
		20 l	2120830
Multi gear oil VG 150	Mineral oil-based industrial gear oil for KLEEMANN cone crushers. The EP (extreme pressure) additives provide exceptional wear protection. Recommended for use in KLEEMANN MCO 9 EVO and MCO 11 PRO cone crushers.	20 l	2483280
		208 l	2483281



# MAINTENANCE PARTS

GEAR OILS			
Part	Properties	Container	Part no.
Special gear oil	Special fully synthetic multigrade gear oil for VÖGELE pump splitter gearboxes and drive systems, HAMM vibratory bearings as well as KLEEMANN travel drives.  It has excellent cold-start behaviour and offers exceptional wear protection (for example in bearings, gear wheels) and is therefore particularly suitable for demanding applications.	5 l	1238051
		20 l	2065037
		208 l	2065038
Special gear oil for roller drum drives	Special fully synthetic multigrade gear oil for HAMM roller drum drives.  It has excellent cold-start behaviour and offers exceptional wear protection (for example in bearings, gear wheels) and is therefore particularly suitable for demanding applications.	5 l	2571293
		20 l	2571294
		208 l	2571300

HYDRAULIC OILS			
Part	Properties	Container	Part no.
Clutch fluid HLP 32	Hydraulic oil for use in KLEEMANN clutches Suitable for low temperatures (subpolar zone).	5 l	2268030
		20 l	2268032
Hydraulic Oil HVLP 46	Multigrade hydraulic oil  Suitable for moderate temperatures.	20 l	2065028
		208 l	2065029
		1000 l IBC	2118571
Hydraulic oil HVLP 68	Multigrade hydraulic oil suitable for high temperatures (subtropics, tropics).	20 l	2118574
		208 l	2570591

COOLANTS			
Part	Properties	Container	Part no.
Antifreezing Compound WG30	Coolants for protection against corrosion, overheating and frost (not suitable for use in 09WR (WR 200i) or KLEEMANN machines).	5 l	2173022
		20 l	2173023
		208 l	2173024
Antifreezing Compound WG40	Coolants to protect against corrosion, overheating and frost for Mercedes Benz diesel engines installed in 09WR (WR 200i).	20 l	2555507
Antifreezing Compound WG48	Coolant for KLEEMANN machines to protect against corrosion, overheating and frost.	20 l	2535933





ENGINE OILS			
Part	Properties	Container	Part no.
Engine oil low SAPS 10W-30	Semi-synthetic 'Low SAPS' engine oil (low sulphated ash, sulphur and phosphorus content) with Fuel Economy technology. Its low sulphated ash content ensures that burnt oil components do not prematurely clog the exhaust aftertreatment system's particulate filters (DPF).	5 l	2210320
		20 l	2210322
		208 l	2210323
		1000 l IBC	2118570
Engine oil low SAPS 10W-40	Synthetic low-viscosity engine oil with a comprehensive performance spectrum  Fuel savings of up to 1% compared to a 15W-40 are possible.  For use in markets in which low-sulphur fuel is used (e.g. Europe).  Suitable for engines with exhaust gas aftertreatment (EU Stage 3b/ US EPA Tier 4i exhaust emission standard and above).	5 l	2346869
		20 l	2346870
		208 l	2346871
Engine oil low SAPS 15W-40	Mineral oil-based engine oil with higher quality base oil  Meets the viscosity requirements of all WIRTGEN GROUP machines with Cummins engines.  For use in markets in which low-sulphur fuel is used (e.g. Europe).  Suitable for engines with exhaust gas aftertreatment (EU Stage 3b/ US EPA Tier 4i exhaust emission standard and above).	5 l	2573349
		20 l	2573350
		208 l	2573351
		1000 l IBC	2637453
Engine oil 10W-40	Synthetic low-viscosity engine oil for the longest oil change intervals  For use in markets in which fuel with a higher sulphur content is used (e.g. India, China, Africa, South America).  Suitable for engines without exhaust aftertreatment (up to and including EU Stage 3a/US EPA Tier 3 exhaust emission standards).	5 l	2112355
		20 l	2112354
		208 l	2219171
		1000 l IBC	2118569
Engine oil 15W-40	Mineral oil-based multigrade engine oil  For use in markets where fuel with a higher sulphur content is used (for example India, China, Africa, South America).  Suitable for engines without exhaust aftertreatment (up to and including EU Stage 3a/US EPA Tier 3 exhaust emission standards).	5 l	2065020
		20 l	2065025
		208 l	2065026
		1000 l IBC	2118572

# MAINTENANCE PARTS

GREASE			
Part	Properties	Container	Part no.
Cone Moly grease	High viscosity lithium complex grease for lubricating KLEEMANN cone crushers. Molybdenum disulphide (MoS <sub>2</sub> ) grease. For heavy-duty, slow-turning bearings and bolts. Not suitable for ball bearings and polished surfaces. Operating temperature from -20 °C to +150 °C.	400 g	2342967
Drive bearing grease	Special high-performance grease for use in HAMM bearings. Extremely pressure- and water-resistant.	1 kg	1227114
Drum bearing grease	Exclusive grease for the lubrication of HAMM drum bearings. Extremely temperature- and pressure-resistant.	1 kg	1205757
Friction and roller bearing grease	High-performance polyurea grease with extreme pressure resistance and excellent wear protection. For the lubrication of VÖGELE roller bearings and sliding bearings that are subject to high thermal loads as well as BENNINGHOVEN applications. Wide operating temperature range from -25 °C to +180 °C (multigrade grease).	18 kg	2027868
High-performance grease	Mineral oil-based lithium complex grease with excellent wear protection. For use on couplings and WIRTGEN remixer, for example. Wide operating temperature range from -20 °C to +150 °C (multigrade grease).	400 g	47259
KLEEMANN high-performance grease	Grease for KLEEMANN screen bearings.	380 g	M10021195
Multipurpose Moly grease	Mineral oil-based grease for lubricating high-load or shock-loaded bearings in damp, unfavourable conditions. Suitable for lubrication points with mixed friction, rough surfaces and as assembly grease (for example joint pins, wheel bearings). Not suitable for ball bearings and polished surfaces.  Operating temperature from -25 °C to +120 °C.	400 g	2065035

OTHER LUBRICANTS			
Part	Properties	Container	Part no.
AdBlue®/DEF	32.5% high-purity urea solution according to DIN 70070 / ISO 22241.  AdBlue® is a registered trademark of the Association of the Automotive Industry (Verband der Automobilindustrie e. V.; VDA)	10 l	2434706
		210 l	2090870
Asphalt anti-stick	The perfect solution for pneumatic tyre and combination rollers from HAMM – prevents bitumen sticking to the rubber tyres. The emulsion is based on a non-toxic solution and is therefore quickly biodegradable.	5 l	2559307
		20 l	2559309
Silicone transformer liquid	DOW transformer oil can be used for the magnetic separator on KLEEMANN machines.	20 l	2346389



BIOLOGICAL HYDRAULIC OIL			
Part	Properties	Container	Part no.
Bio Hydraulic Oil HVLP 46	Biodegradable multigrade hydraulic oil	20 l	2118575
	Suitable for moderate temperatures.	208 l	2270558

Original KLEEMANN  
**EMERGENCY KITS**



Small faults in the electrical system such as blown fuses, failed relays, damaged contacts or switches can interrupt construction site operations for long periods of time. KLEEMANN emergency kits for

machine operators, which consist of items specially selected for the respective machine type, can be used to rectify any malfunctions quickly and cost-effectively.



> Read more online

**EMERGENCY KITS**

KLEEMANN emergency kits for machine operators, which consist of items specially selected for the respective machine type, can be used to rectify any malfunctions quickly and cost-effectively.



EMERGENCY KITS				
Series code	Serial code	Series range	Version	Part no.
MC 100 EVO	K002	1 - 9999	Worldwide	2328285
MC 100i EVO	K011	1 - 9999	Worldwide	2328285
MC 110 R EVO	K005	1 - 9999	Worldwide	2328285
MC 110 Ri EVO	K014	1 - 9999	Worldwide	2328285



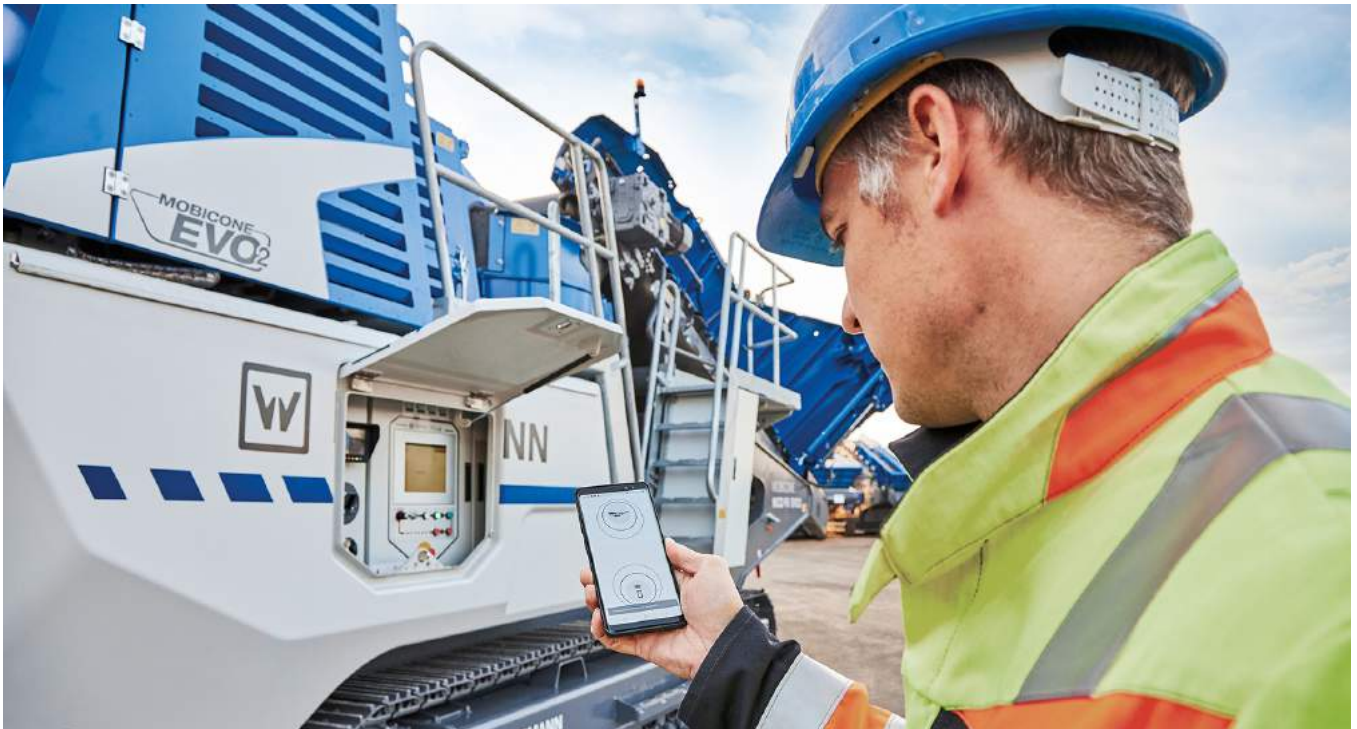
EMERGENCY KITS				
Series code	Serial code	Series range	Version	Part no.
MC 110 Z EVO	K006	1 - 9999	Worldwide	2328285
MC 110 Zi EVO	K015	1 - 9999	Worldwide	2328285
MC 120 PRO	K034	1 - 9999	US	2601360
			US	2568649
			EU	2601353
			EU	2540693
MC 120 i PRO	K035	1 - 9999	EU	2540693
			US	2568649
			EU	2601353
			US	2601360
MC 110 EVO2	K116	1 - 9999	Worldwide	2945310
MC110i EVO2	K117	1 - 9999	Worldwide	2945310
MCO 9 EVO	K072	1 - 9999	Worldwide	2392714
MCO 9i EVO	K073	1 - 9999	US	2392715
			Worldwide	2392714
MCO 9 S EVO	K074	1 - 9999	Worldwide	2392714
MCO 9 Si EVO	K075	1 - 9999	Worldwide	2392714
			US	2392715
MCO 90 EVO2	K120	1 - 9999	Worldwide	2945310
MCO 90i EVO2	K121	1 - 9999	Worldwide	2945310
MCO 110 PRO	K110	1 - 9999	US	2568649
			EU	2540693
MCO 110i PRO	K111	1 - 9999	US	2568649
			EU	2540693
MR 110 EVO2	K018	1 - 9999	Worldwide	2385137
		137 - 9999	Worldwide	2591720

**EMERGENCY KITS**

EMERGENCY KITS				
Series code	Serial code	Series range	Version	Part no.
MR 110 i EVO2	K019	1 - 34	US	2385140
			Worldwide	2385137
		35 - 35	Worldwide	2591720
		36 - 36	US	2385140
			Worldwide	2385137
		37 - 9999	Worldwide	2591720
MR 130 EVO2	K077	1 - 192	Worldwide	2385137
		193 - 9999	Worldwide	2591720
MR 130i EVO2	K078	1 - 29	US	2385140
			Worldwide	2385137
		30 - 30	Worldwide	2591720
		31 - 32	Worldwide	2385137
			US	2385140
		33 - 9999	Worldwide	2591720
MSC 702 EVO	K083	1 - 9999	Worldwide	2503425
MSC 703 EVO	K084	1 - 9999	Worldwide	2503425
MSC 952 EVO	K085	1 - 9999	Worldwide	2503425
MSC 953 EVO	K086	1 - 9999	Worldwide	2503425
MSC 702i EVO	K103	1 - 9999	Worldwide	2503425
MSC 703i EVO	K104	1 - 9999	Worldwide	2503425
MSC 952i EVO	K105	1 - 9999	Worldwide	2503425
MSC 953i EVO	K106	1 - 9999	Worldwide	2503425



# SPECTIVE CONNECT PACKAGES



The intuitive SPECTIVE operating concept includes various ideally matched components that accompany and assist the machine operator from start to finish of every working day. The practical combination of different SPECTIVE elements with

additional machine options makes daily routines easier and enables operators to carry out their work conveniently and effectively in any weather conditions without having to leave the driver's cab.



> Read more online

## SPECTIVE CONNECT

SPECTIVE CONNECT is the logical extension of SPECTIVE that replicates the user interface on the crusher in the cabin of the excavator or wheel loader and thus brings it directly to the operator. Apart from relevant data such as speed, consumption values, productivity and fill levels, it also displays fault messages and even live camera images.



SPECTIVE CONNECT						
Series code	Serial code	Version	Package	Package content	Retrofitting	Part no.
MC 120 PRO	K034	North America	Standard	SPECTIVE CONNECT	Retrofitting possible in the field	3084490
		EU	Standard	SPECTIVE CONNECT	Retrofitting possible in the field	3084487
MC 120 i PRO	K035	North America	Standard	SPECTIVE CONNECT	Retrofitting possible in the field	3084490
		EU	Standard	SPECTIVE CONNECT	Retrofitting possible in the field	3084487

# SPECTIVE CONNECT PACKAGES

SPECTIVE CONNECT						
Series code	Serial code	Version	Package	Package content	Retrofitting	Part no.
MC 110 EVO2	K116	North America	Standard	SPECTIVE CONNECT	Retrofitting possible in the field	2922178
		EU	Standard	SPECTIVE CONNECT	Retrofitting possible in the field	2922177
MC110i EVO2	K117	EU	Standard	SPECTIVE CONNECT	Retrofitting possible in the field	2922177
		North America	Standard	SPECTIVE CONNECT	Retrofitting possible in the field	2922178
MCO 90 EVO2	K120	EU	Standard	SPECTIVE CONNECT	Retrofitting possible in the field	2922177
MCO 90i EVO2	K121	EU	Standard	SPECTIVE CONNECT	Retrofitting possible in the field	2922177
		North America	Standard	SPECTIVE CONNECT	Retrofitting possible in the field	2922178
MCO 110 PRO	K110	North America	Standard	SPECTIVE CONNECT	Retrofitting possible in the field	3093096
		EU	Standard	SPECTIVE CONNECT	Retrofitting possible in the field	3093136
MCO 110i PRO	K111	EU	Standard	SPECTIVE CONNECT	Retrofitting possible in the field	3093136
		North America	Standard	SPECTIVE CONNECT	Retrofitting possible in the field	3093096
MR 110 EVO2	K018	North America	Standard	SPECTIVE CONNECT	Retrofitting possible in the field	3042142
		EU	Standard	SPECTIVE CONNECT	Retrofitting possible in the field	3042137
MR 110 i EVO2	K019	EU	Standard	SPECTIVE CONNECT	Retrofitting possible in the field	3042137
		North America	Standard	SPECTIVE CONNECT	Retrofitting possible in the field	3042142
MR 130 EVO2	K077	North America	Standard	SPECTIVE CONNECT	Retrofitting possible in the field	3043130
		EU	Standard	SPECTIVE CONNECT	Retrofitting possible in the field	3043113
MR 130i EVO2	K078	North America	Standard	SPECTIVE CONNECT	Retrofitting possible in the field	3043130
		EU	Standard	SPECTIVE CONNECT	Retrofitting possible in the field	3043113
MR 130 PRO	K124	EU	Standard	SPECTIVE CONNECT	Retrofitting possible in the field	3052614
		North America	Standard	SPECTIVE CONNECT	Retrofitting possible in the field	3052615
MR 130i PRO	K125	EU	Standard	SPECTIVE CONNECT	Retrofitting possible in the field	3052614
		North America	Standard	SPECTIVE CONNECT	Retrofitting possible in the field	3052615





## FULL CONTROL

SPECTIVE CONNECT and the small radio remote control are the ideal operating team. This combination enables you to increase your efficiency and safety during the crushing process. All relevant data are visible on the smartphone at a glance, including assistance for reporting. Convenient control of all relevant functions from the driver's cab in automatic mode.



FULL CONTROL							
Series code	Serial code	Part	Version	Package	Package content	Retrofitting	Part no.
MCO 90 EVO2	K120	SPECTIVE CONNECT Full Control	EU	Full Control	SPECTIVE CONNECT; SPECTIVE radio remote control, small	Retrofitting possible in the field	2982508
MCO 90i EVO2	K121	SPECTIVE CONNECT Full Control	EU	Full Control	SPECTIVE CONNECT; SPECTIVE radio remote control, small	Retrofitting possible in the field	2982508
			North America	Full Control	SPECTIVE CONNECT; SPECTIVE radio remote control, small	Retrofitting possible in the field	2982510
MR 130 PRO	K124	SPECTIVE CONNECT Full Control	EU	Full Control	SPECTIVE CONNECT; SPECTIVE radio remote control, small	Retrofitting possible in the field	3052616
			North America	Full Control	SPECTIVE CONNECT; SPECTIVE radio remote control, small	Retrofitting possible in the field	3052619
MR 130i PRO	K125	SPECTIVE CONNECT Full Control	EU	Full Control	SPECTIVE CONNECT; SPECTIVE radio remote control, small	Retrofitting possible in the field	3052616

# SPECTIVE CONNECT PACKAGES

## PRODUCTIVITY

SPECTIVE CONNECT, the small radio remote control and the belt scale on the crusher discharge conveyor are the best trio for ensuring maximum performance and ensure that operators always have a direct view of the performance data of their plants.



PRODUCTIVITY							
Series code	Serial code	Part	Version	Package	Package content	Retrofitting	Part no.
MC 120 PRO	K034	SPECTIVE CONNECT Productivity	North America	Productivity	SPECTIVE CONNECT; Belt scale, crusher discharge conveyor	Retrofitting possible in the field	3084492
			EU	Productivity	SPECTIVE CONNECT; Belt scale, crusher discharge conveyor	Retrofitting possible in the field	3084491
MC 120 i PRO	K035	SPECTIVE CONNECT Productivity	EU	Productivity	SPECTIVE CONNECT; Belt scale, crusher discharge conveyor	Retrofitting possible in the field	3084491
			North America	Productivity	SPECTIVE CONNECT; Belt scale, crusher discharge conveyor	Retrofitting possible in the field	3084492
MCO 110 PRO	K110	SPECTIVE CONNECT Productivity	North America	Productivity	SPECTIVE CONNECT; Belt scale, crusher discharge conveyor	Retrofitting possible in the field	3093204
			EU	Productivity	SPECTIVE CONNECT; Belt scale, crusher discharge conveyor	Retrofitting possible in the field	3093173



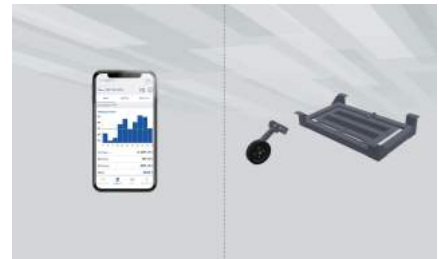
PRODUCTIVITY							
Series code	Serial code	Part	Version	Package	Package content	Retrofitting	Part no.
MCO 110i PRO	K111	SPECTIVE CONNECT Pro-ductivity	EU	Productivity	SPECTIVE CONNECT; Belt scale, crusher discharge conveyor	Retrofitting possible in the field	3093173
			North America	Productivity	SPECTIVE CONNECT; Belt scale, crusher discharge conveyor	Retrofitting possible in the field	3093204
MR 110 EVO2	K018	SPECTIVE CONNECT Pro-ductivity	North America	Productivity	SPECTIVE CONNECT; Belt scale, crusher discharge conveyor	Retrofitting possible in the field	3043131
			EU	Productivity	SPECTIVE CONNECT; Belt scale, crusher discharge conveyor	Retrofitting possible in the field	3043124
MR 110 i EVO2	K019	SPECTIVE CONNECT Pro-ductivity	North America	Productivity	SPECTIVE CONNECT; Belt scale, crusher discharge conveyor	Retrofitting possible in the field	3043131
			EU	Productivity	SPECTIVE CONNECT; Belt scale, crusher discharge conveyor	Retrofitting possible in the field	3043124
MR 130 EVO2	K077	SPECTIVE CONNECT Pro-ductivity	EU	Productivity	SPECTIVE CONNECT; Belt scale, crusher discharge conveyor	Retrofitting possible in the field	3043125
			North America	Productivity	SPECTIVE CONNECT; Belt scale, crusher discharge conveyor	Retrofitting possible in the field	3043132

# SPECTIVE CONNECT PACKAGES

PRODUCTIVITY							
Series code	Serial code	Part	Version	Package	Package content	Retrofitting	Part no.
MR 130i EVO2	K078	SPECTIVE CONNECT Pro-ductivity	North America	Productivity	SPECTIVE CONNECT; Belt scale, crusher discharge conveyor	Retrofitting possible in the field	3043132
			EU	Productivity	SPECTIVE CONNECT; Belt scale, crusher discharge conveyor	Retrofitting possible in the field	3043125

## PERFORMANCE

The Productivity Package for the MOBIREX MR 110/130(i) EVO2 comprises SPECTIVE CONNECT and the optional belt scale on the crusher discharge conveyor. With this combination, operators always have a real-time overview of the performance data of their plants and are guaranteed additional transparency.



PERFORMANCE							
Series code	Serial code	Part	Version	Package	Package content	Retrofitting	Part no.
MCO 90 EVO2	K120	SPECTIVE CONNECT Performance	EU	Performance	SPECTIVE CONNECT; SPECTIVE radio remote control, small; Belt scale, crusher discharge conveyor	Retrofitting possible in the field	2982541
MCO 90i EVO2	K121	SPECTIVE CONNECT Performance	EU	Performance	SPECTIVE CONNECT; SPECTIVE radio remote control, small; Belt scale, crusher discharge conveyor	Retrofitting possible in the field	2982541



PERFORMANCE							
Series code	Serial code	Part	Version	Package	Package content	Retrofitting	Part no.
MCO 90i EVO2	K121	SPECTIVE CONNECT Performance	North America	Performance	SPECTIVE CONNECT; SPECTIVE radio remote control, small; Belt scale, crusher discharge conveyor	Retrofitting possible in the field	2982543
MR 130 PRO	K124	SPECTIVE CONNECT Performance	EU	Performance	SPECTIVE CONNECT; SPECTIVE radio remote control, small; Belt scale, crusher discharge conveyor	Retrofitting possible in the field	3052621
			North America	Performance	SPECTIVE CONNECT; SPECTIVE radio remote control, small; Belt scale, crusher discharge conveyor	Retrofitting possible in the field	3052624
MR 130i PRO	K125	SPECTIVE CONNECT Performance	North America	Performance	SPECTIVE CONNECT; SPECTIVE radio remote control, small; Belt scale, crusher discharge conveyor	Retrofitting possible in the field	3052624
			EU	Performance	SPECTIVE CONNECT; SPECTIVE radio remote control, small; Belt scale, crusher discharge conveyor	Retrofitting possible in the field	3052621

Original KLEEMANN

# SPECTIVE CONNECT PACKAGES

## PRODUCTIVITY VIEW+

The Productivity and Overview Package comprises SPECTIVE CONNECT, the belt scale on the crusher discharge conveyor and the camera system. This guarantees that plant operators have a 'live' overview of the plant and its performance data at their fingertips at all times.



PRODUCTIVITY VIEW+							
Series code	Serial code	Part	Version	Package	Package content	Retrofitting	Part no.
MC 120 PRO	K034	SPECTIVE CONNECT Productivity View+	EU; North America	Productivity View+	SPECTIVE CONNECT; Belt scale, crusher discharge conveyor; Camera system with upgrade to SPECTIVE CONNECT	Retrofitting at subsidiaries	3055812
MC 120 i PRO	K035	SPECTIVE CONNECT Productivity View+	EU; North America	Productivity View+	SPECTIVE CONNECT; Belt scale, crusher discharge conveyor; Camera system with upgrade to SPECTIVE CONNECT	Retrofitting at subsidiaries	3055812



**PERFORMANCE VIEW+**

The Performance and Overview Package comprises SPECTIVE CONNECT, the small radio remote control, the belt scale on the crusher discharge conveyor and the camera system. This combination guarantees that operators have a 'live' overview of the plant and its performance data at their fingertips at all times.



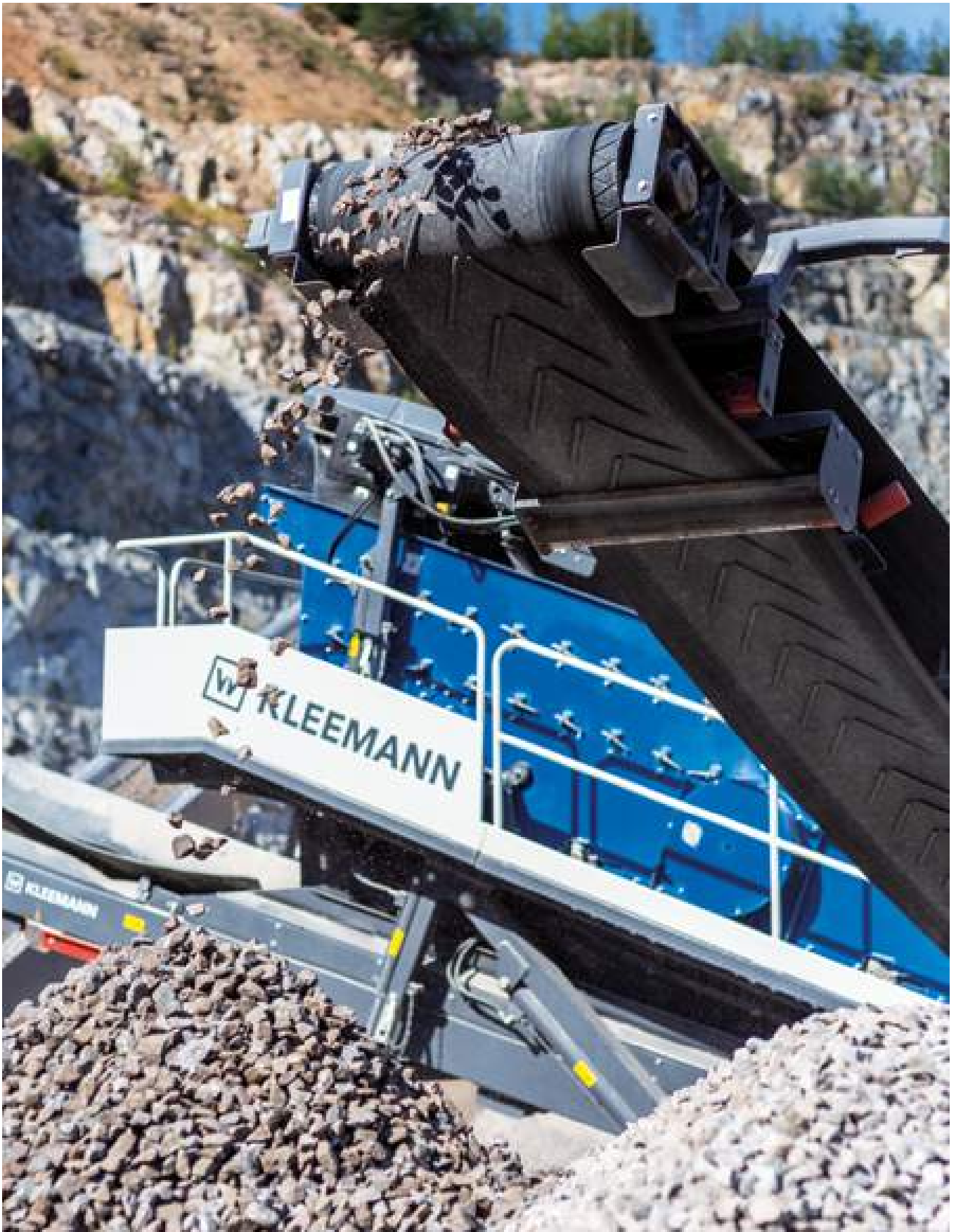
PERFORMANCE VIEW+							
Series code	Serial code	Part	Version	Package	Package content	Retrofitting	Part no.
MC 110 EVO2	K116	SPECTIVE CONNECT Performance View+	EU; North America	Performance View+	SPECTIVE CONNECT; SPECTIVE radio remote control, small; Belt scale, crusher discharge conveyor; Camera system with upgrade to SPECTIVE CONNECT	Retrofitting at subsidiaries	3055926
MC110i EVO2	K117	SPECTIVE CONNECT Performance View+	EU; North America	Performance View+	SPECTIVE CONNECT; SPECTIVE radio remote control, small; Belt scale, crusher discharge conveyor; Camera system with upgrade to SPECTIVE CONNECT	Retrofitting at subsidiaries	3055926
MR 130 PRO	K124	SPECTIVE CONNECT Performance View+	EU; North America	Performance View+	SPECTIVE CONNECT; SPECTIVE radio remote control, small; Belt scale, crusher discharge conveyor; Camera system with upgrade to SPECTIVE CONNECT	Retrofitting at subsidiaries	3074246

Original KLEEMANN

## SPECTIVE CONNECT PACKAGES

PERFORMANCE VIEW+							
Series code	Serial code	Part	Version	Package	Package content	Retrofitting	Part no.
MR 130i PRO	K125	SPECTIVE CONNECT Performance View+	EU; North America	Performance View+	SPECTIVE CONNECT; SPECTIVE radio remote control, small; Belt scale, crusher discharge conveyor; Camera system with upgrade to SPECTIVE CONNECT	Retrofitting at subsidiaries	3074246





# Original BENNINGHOVEN LIFTER PLATES



The dryer drums are the key components in the asphalt production process, both for the white mineral and the RAP material. They remove moisture from the raw material and perfectly prepare the material for the processing temperature.

The drums are available in different lengths, diameters and with different built-in materials depending on the system design and the drying matrix (based on the burner, dryer drum, and dust collection).

Influencing parameters such as the plant location, type of rock, material moisture, material temperature and fuel type determine whether lifter plates are used.

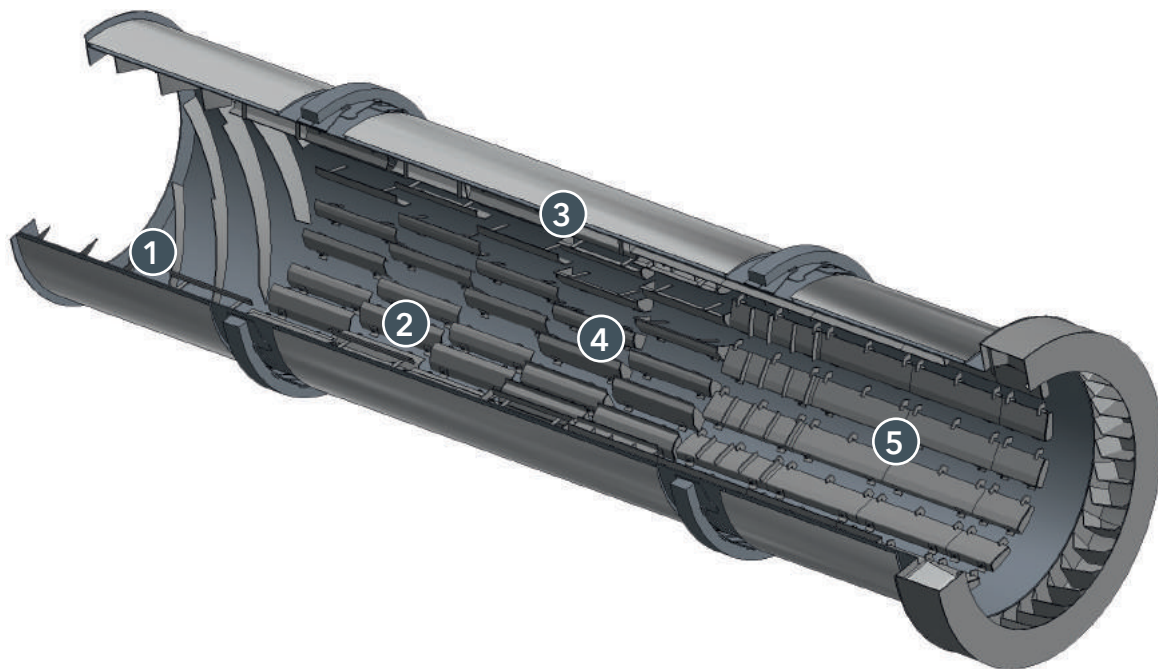
Dryer drums are compact, robust and easy to maintain. Made by BENNINGHOVEN.



> Read more online

## TECHNICAL SPECIFICATIONS OF THE DRYER DRUM

- Different drum sizes from 8 to 12 metres
- Inside diameter from 2 to 3 metres in various increments
- Appropriate material moisture of 3%, 4%, 5%
- Appropriate compliance of TA-Luft (German technical instructions on air quality control)
- Temperature-resistant internal components (coal dust, mastic asphalt, recycling)
- Frequency converter control (infinitely variable drive for materials with widely varying moisture content)
- Wear material/internal components
- Stainless steel or aluminium covering
- Air or mineral wool insulation



- 1 Continuous temperature optimisation**  
Ideal exhaust gas temperature through the installation and removal of lifter plates.
- 2 Outstanding material quality with maximum flexibility**  
BENNINGHOVE lifter plates are available in a range of materials and shapes - made of low-wear and temperature-resistant steel or heat-resistant steel (recommended for the addition of cold RAP material and mastic asphalt).
- 3 First-class drying**  
Well-designed material guidance thanks to an adapted drum layout plan and optimised placement of the lifter plates results in an optimal material curtain and thus an optimal drying result.
- 4 Easy to replace**  
Drum components can be replaced quickly and easily thanks to the bolted design and high-precision fit and genuine connectors.
- 5 Built-in fire protection**  
Excellent protection of the drum in the hot zones via fire protection plates (self-protection).

Original BENNINGHOVEN

## CHAIN, BUCKET ELEVATOR, GEAR RING

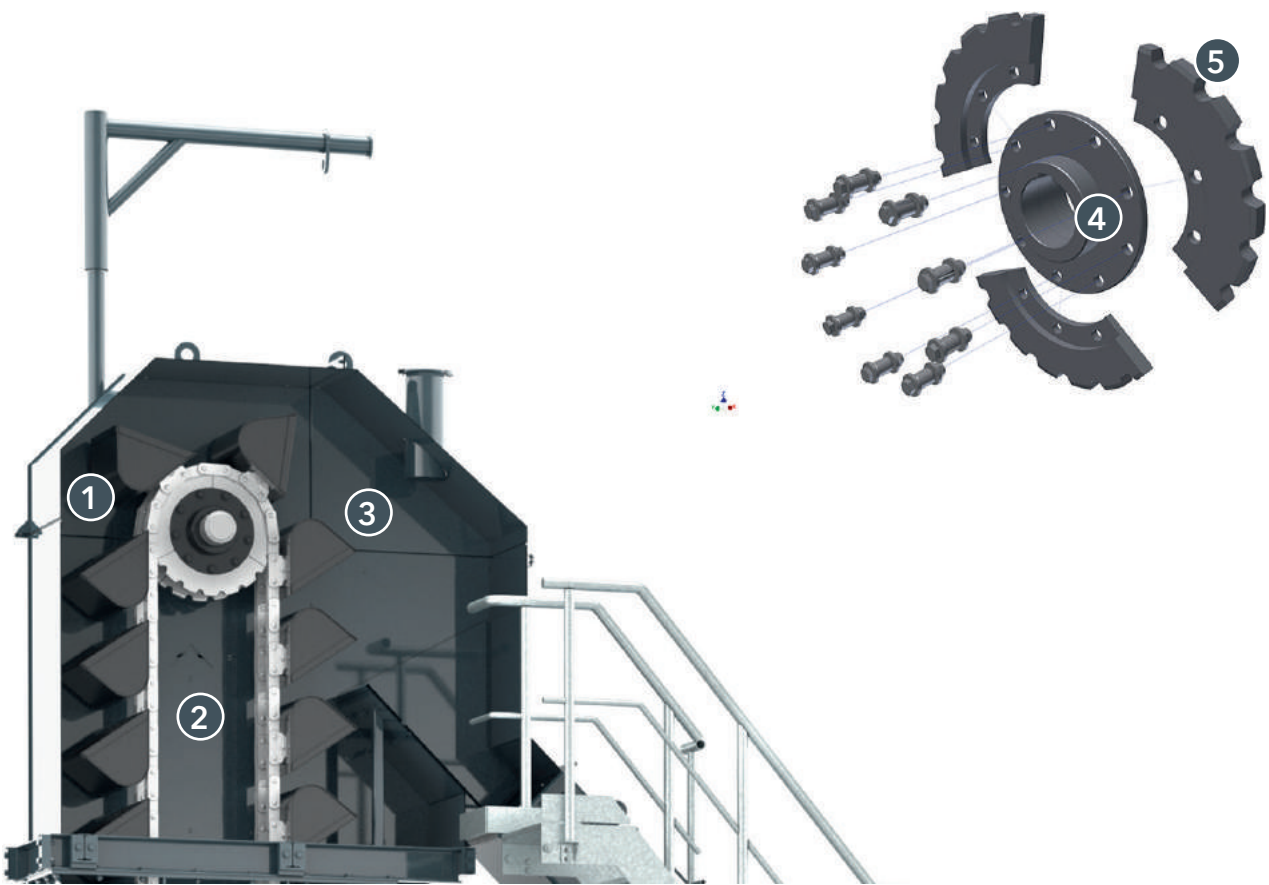


The hot bucket elevator's enclosed, compact steel structure with an internal conveyor mechanism conveys the material vertically up onto the asphalt mixing plant. A high-performance, shaft-mounted geared motor reliably drives the dual-strand, double drag link conveyor chain. For service and maintenance

purposes, the geared motor is equipped with a chain anti-reverse mechanism and a key transfer system on the elevator foot. High discharge heights and conveying capacities as well as material temperatures of 400 °C require regular visual inspections or the replacement of wearing parts with genuine BENNINGHOVEN spare parts.

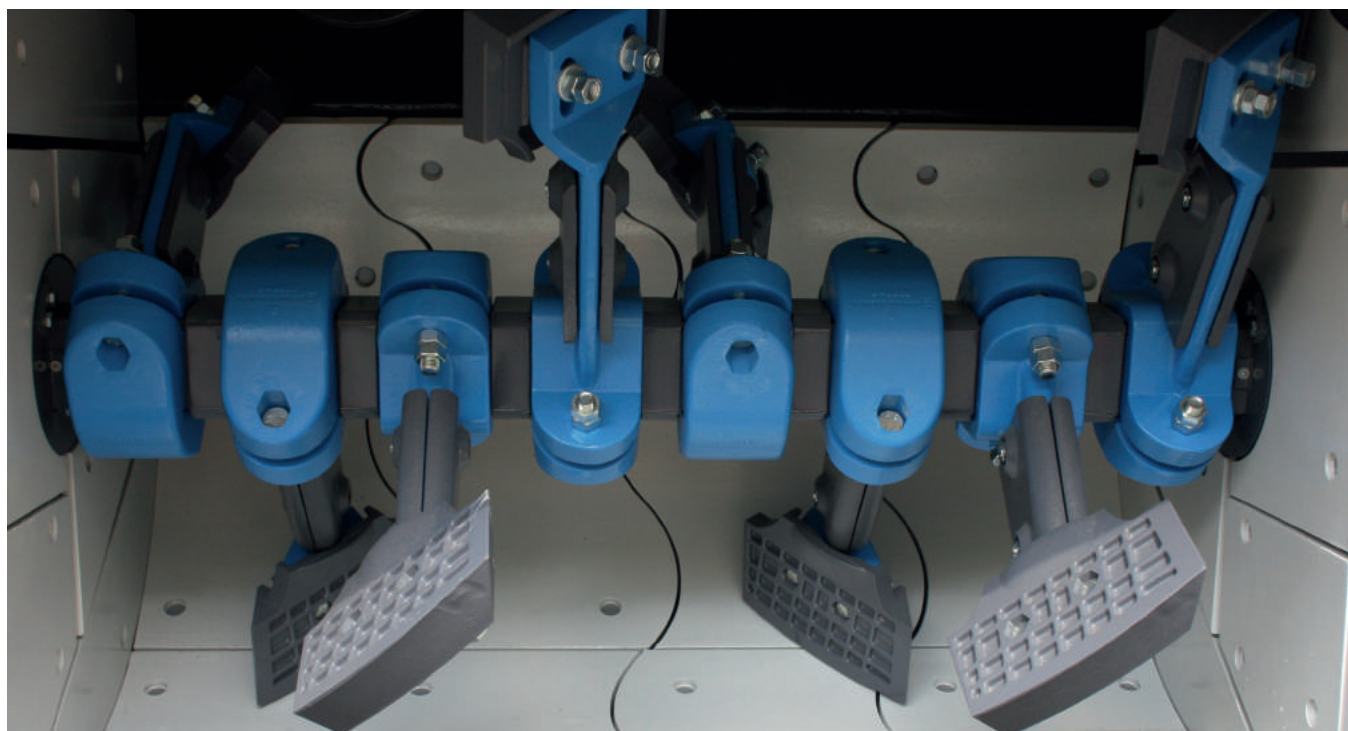


> Read more online



- 1 Service-optimised**  
The elevator buckets are bolted to the chain, allowing them to be quickly and easily replaced at any time.
- 2 Flexible**  
Bolt connections ensure that the chain links are easy to replace. The same goes for shortening the chain. The two-strand system facilitates optimal load distribution.
- 3 User-friendly**  
Easy maintenance and accessibility due to generously sized inspection openings.
- 4 Extremely easy to service**  
The three-part design of the sprocket allows parts of it to be replaced without requiring removal of the complete sprocket or chain strands and without any special tools.
- 5 Durability**  
Tempered sprocket segments guarantee maximum wear protection and a long service life.

Original BENNINGHOVEN  
**INNER PANELS**

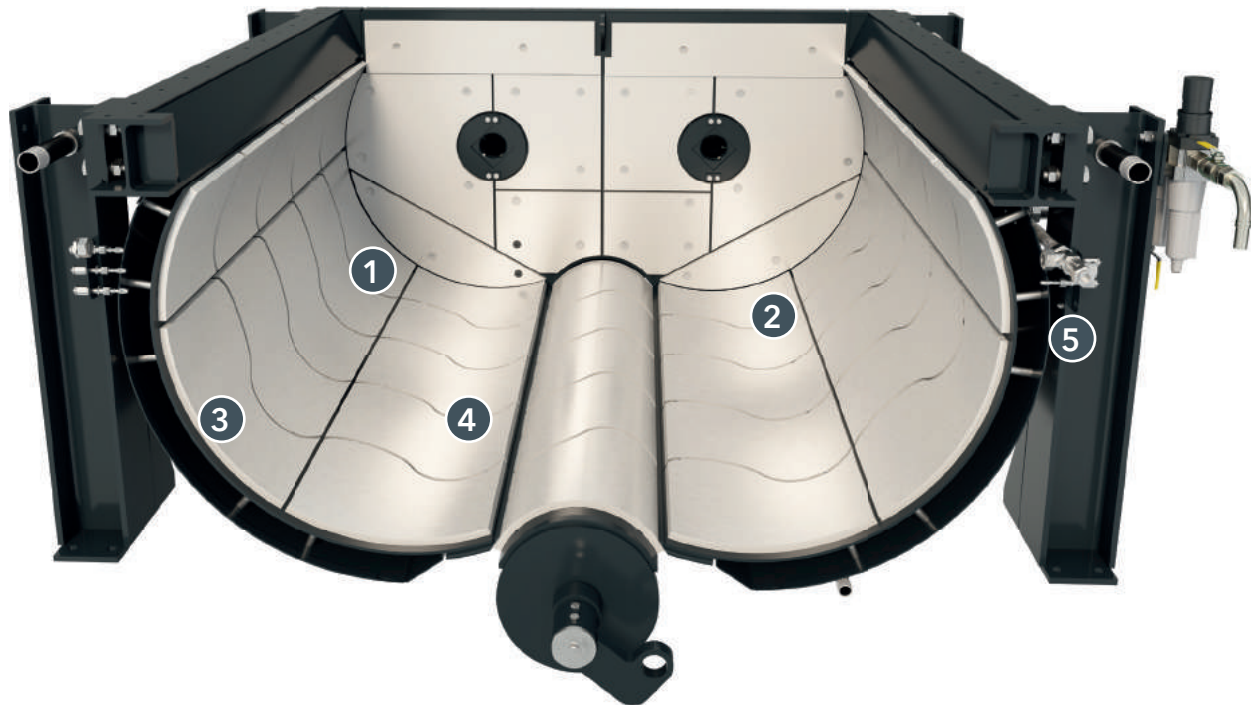


The mixer is the heart of an asphalt mixing plant. This is where the mineral is intensively mixed with the binding agent and filler to form a homogeneous mass. Due to the high loads in terms of wear, weight and power transmission, mixers are built using only materials of the highest quality. The mixing trough of the

twin-shaft pugmill is lined with special cast iron. The bolts used to secure the inner panels are accessible from the outside of the unit to make maintenance and service easier. A rotary slide is used to open or close the mixer's outlet flaps via two pneumatic cylinders.



> Read more online



**1 S-shaped trough panels - it's the shape that makes the difference:**

Spot and surface wear is interrupted at the joints, thus ensuring the panels enjoy a longer service life thanks to the S-shape.

**2 Maximum wear protection**

The panels are made from a special alloy for maximum wear protection and a long mixer service life.

**3 Ergonomic handling**

The individual panels feature an ideal size and weight for easy handling.

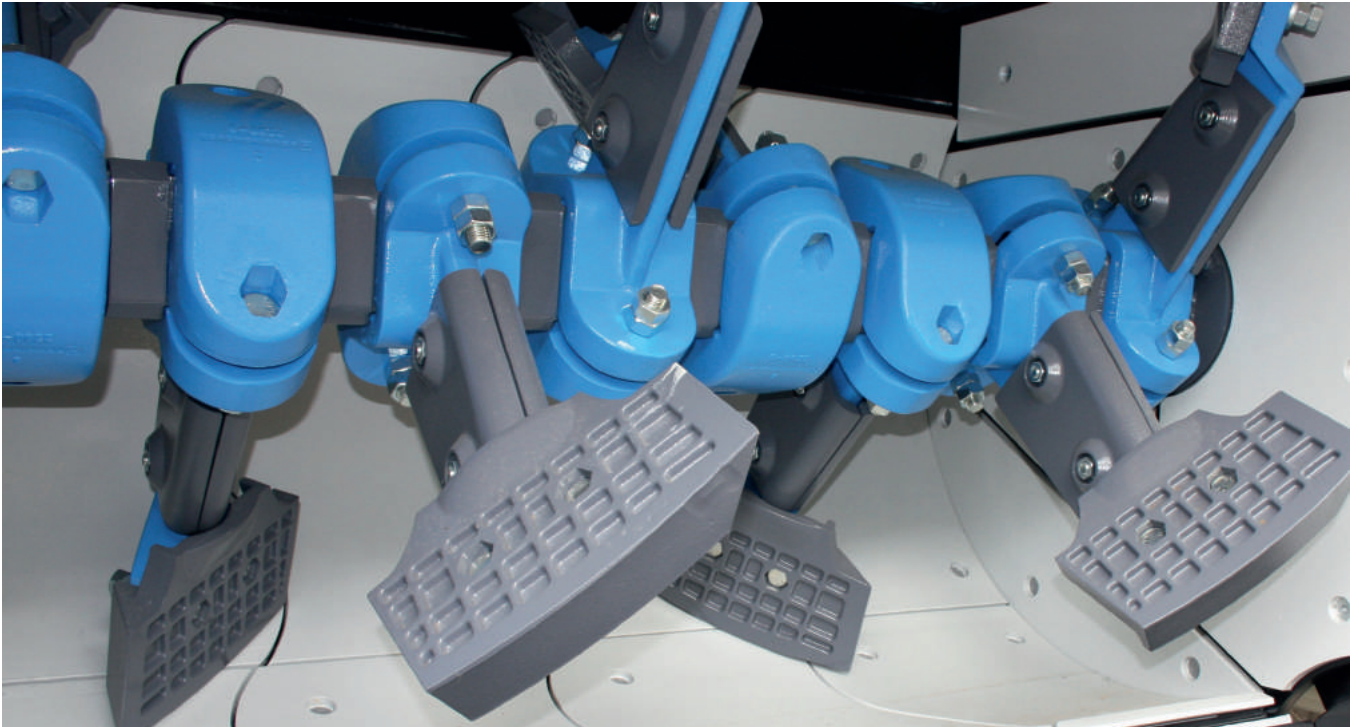
**4 Individual panels can be easily replaced**

The ability to replace the individual wear zones, which are divided into panels, cuts costs.

**5 Optimal accessibility**

The panels are mounted using countersunk bolts, providing an excellent and secure hold with optimal accessibility from the outside.

Original BENNINGHOVEN  
**AGITATOR**



The agitator intensively mixes the mineral with the binding agent and filler to form a homogeneous mass. Due to the high loads in terms of wear, weight and power transmission, mixers are built using only materials of the highest quality. The two agitator shafts are

designed for durability and a long service life. Arm guards that protect all the arms from wear, protection for the spaces between the shafts and optimised shapes that reduce the surface area exposed to wear are just a few notable examples.



> Read more online





**1 Durable**  
Efficient mixer shaft bearing and sealing.

**2 Fewer replacements**  
Efficient shaft protection keeps the number of costly replacements of individual shaft sections to a minimum.

**3 Dual arm guard**  
Complete protection of the mixer arms against wear.

**4 Minimal wear surfaces**  
Perfect mounting of the mixer arms via innovative mounting clamps for longer service life.

**5 Extremely long service life**  
Wear is greatly reduced due to the recessed inner seal.

Original BENNINGHOVEN  
**FILTER BAGS**



Dedusting is an essential part of asphalt mixing plant operation. This involves extracting and filtering the dust that is generated during the mixing process - particularly rock particles and bitumen vapours. This not only has an impact on the asphalt mixing process, but is also subject to official regulations governing the emissions produced during asphalt production. These

requirements are currently being increasingly tightened in many countries and regions around the world. In response to these developments, BENNINGHOVEN offers the ideal hardware in combination with the corresponding filter cloths - perfectly tailored to each other to form an unbeatable team.



> Read more online



**1 Increase service life, cut costs**  
Long service life thanks to solidly sewn bags with triple stitching.

**2 From a single source**  
Genuine filter bags from BENNINGHOVEN are perfectly tailored to the asphalt mixing plant's technology and processes. This combination is what leads to a long service life and extreme durability.

**3 Easy handling**  
The filter bags are easy to access and replace.

**4 Extremely robust**  
Different materials can even withstand high operating temperatures.



# WIRTGEN GROUP



## WIRTGEN GROUP

Branch of John Deere GmbH Co. KG

Reinhard-Wirtgen-Str. 2

53578 Windhagen

Germany

T: +49 26 45 / 131 0

F: +49 26 45 / 131 397

customersupport@wirtgen-group.com

 [parts.wirtgen-group.com](https://parts.wirtgen-group.com)

The General Standard Terms and Conditions of Sale and Delivery apply. The Terms and Conditions of Sale and Delivery of the company at which orders are processed can be sent on request. They can also be viewed on the website of the respective company: <https://wirtgen-group.com/general-terms>

The WIRTGEN GROUP Branch of John Deere GmbH & Co. KG and its affiliated companies protect their intellectual property. In particular, the names WIRTGEN, VÖGELE, HAMM, KLEEMANN, BENNINGHOVEN, CIBER and WITOS, the WIRTGEN GROUP Road logo and numerous other product and system names are registered trademarks in many countries. All details, illustrations and texts are non-binding and may include special equipment. We reserve the right to make technical changes without prior notice. Performance data are dependent upon actual operational conditions.

© WIRTGEN GROUP Branch of John Deere GmbH & Co. KG 2024. en-GB - V240118